

The NEO430 Processor

by Dipl.-Ing. Stephan Nolting

A very small, powerful and highly customizable
open-source 16-bit soft-core microcontroller,
compatible to TI's MSP430© ISA

Processor Hardware Version: 0x0407



Proprietary / Legal Notice

“MSP430” and “Code Composer Studio” are trademarks of Texas Instruments Corporation.
“ISE”, “Vivado”, “ISIM” and “Artix” are trademarks of Xilinx Inc.
“AXI” and “AXI4-Lite” are trademarks of Arm Holdings plc.
“ModelSim” is a trademark of Mentor Graphics – A Siemens Business.
“Quartus”, “Cyclone” and “Avalon Bus” are trademarks of Intel Corporation.
“iCE40 UltraPlus”, “Radiant” and “Diamond” are trademarks of Lattice Semiconductor Corporation.
“Windows” is a trademark of Microsoft Corporation.
“Tera Term” copyright by T. Teranishi.

License / Disclaimer

This file is part of the NEO430 Processor project by Stephan Nolting.

**This is a hobby project released under the BSD 3-Clause license.
No copyright infringement intended.**

This project is not affiliated with or endorsed by the Open Source Initiative.
<https://www.oshwa.org>
<https://opensource.org>

A big shout out to all the ones, who contributed to this project! =)

The **NEO430 Processor** Project
© Dipl.-Ing. Stephan Nolting, Hannover, Germany
For any kind of feedback, feel free to drop me a line: stnolting@gmail.com

BSD 3-Clause License

Copyright (c) 2020, Stephan Nolting. All rights reserved.

Redistribution and use in source and binary forms, with or without modification, are permitted provided that the following conditions are met:

1. Redistributions of source code must retain the above copyright notice, this list of conditions and the following disclaimer.
2. Redistributions in binary form must reproduce the above copyright notice, this list of conditions and the following disclaimer in the documentation and/or other materials provided with the distribution.
3. Neither the name of the copyright holder nor the names of its contributors may be used to endorse or promote products derived from this software without specific prior written permission.

THIS SOFTWARE IS PROVIDED BY THE COPYRIGHT HOLDERS AND CONTRIBUTORS "AS IS" AND ANY EXPRESS OR IMPLIED WARRANTIES, INCLUDING, BUT NOT LIMITED TO, THE IMPLIED WARRANTIES OF MERCHANTABILITY AND FITNESS FOR A PARTICULAR PURPOSE ARE DISCLAIMED. IN NO EVENT SHALL THE COPYRIGHT HOLDER OR CONTRIBUTORS BE LIABLE FOR ANY DIRECT, INDIRECT, INCIDENTAL, SPECIAL, EXEMPLARY, OR CONSEQUENTIAL DAMAGES (INCLUDING, BUT NOT LIMITED TO, PROCUREMENT OF SUBSTITUTE GOODS OR SERVICES; LOSS OF USE, DATA, OR PROFITS; OR BUSINESS INTERRUPTION) HOWEVER CAUSED AND ON ANY THEORY OF LIABILITY, WHETHER IN CONTRACT, STRICT LIABILITY, OR TORT (INCLUDING NEGLIGENCE OR OTHERWISE) ARISING IN ANY WAY OUT OF THE USE OF THIS SOFTWARE, EVEN IF ADVISED OF THE POSSIBILITY OF SUCH DAMAGE.

Table of Content

BSD 3-Clause License	3
1. Introduction	6
1.1. Processor Key Features.....	7
1.2. Main Differences to TI's Original MSP430 Architecture.....	8
1.3. Project Home Folder Structure.....	9
1.4. Processor VHDL File Hierarchy.....	10
1.5. Processor Top Entity – Signals.....	11
1.6. Processor Top Entity – Configuration Generics.....	12
1.7. Alternative Top Entities.....	13
1.8. FPGA Implementation Results.....	14
1.8.1. Full Implementation (Default Configuration).....	14
1.8.2. Minimal Configuration.....	15
1.8.3. Resource Utilization by Entity.....	16
1.9. CPU Performance (CoreMark Benchmark).....	17
2. Hardware Architecture	19
2.1. NEO430 CPU.....	21
2.1.1. Register File.....	22
2.1.2. Arithmetic / Logic Unit.....	22
2.1.3. Status Register.....	24
2.1.4. Interrupts.....	25
2.1.5. Instruction Set.....	28
2.1.6. Instruction Timing.....	28
2.1.7. System Bus.....	29
2.2. Internal Instruction Memory (IMEM).....	30
2.3. Internal Data Memory (DMEM).....	30
2.4. Boot ROM.....	31
2.5. Wishbone Bus Interface (WB32).....	32
2.6. General Purpose Input and Output Ports (GPIO).....	35
2.7. Universal Asynchronous Receiver and Transmitter (UART).....	36
2.8. Serial Peripheral Interface (SPI).....	39
2.9. Two Wire Serial Interface Master (TWI).....	41
2.10. High-Precision Timer (TIMER).....	43
2.11. Watchdog Timer (WDT).....	45
2.12. System Configuration Module (SYSCONFIG).....	46
2.13. Multiplier and Divider Unit (MULDIV).....	48
2.14. Cyclic Redundancy Checksum Unit (CRC).....	51
2.15. Custom Functions Unit (CFU).....	52
2.16. Pulse Width Modulation Controller (PWM).....	53
2.17. True Random Number Generator (TRNG).....	56
2.18. External Interrupts Controller (EXIRQ).....	59
2.19. Arbitrary Frequency Generator (FREQ_GEN).....	63
3. Software Architecture	65
3.1. Executable Program Image.....	66
3.1.1. Image Sections.....	66
3.1.2. Dynamic Memory.....	66
3.1.3. Application Start-Up Code.....	66
3.1.4. Executable Image Formats.....	67
3.2. Internal Bootloader.....	68
3.2.1. Auto Boot Sequence.....	70

- 3.2.2. Error Codes.....70
- 3.3. Software Libraries.....71
- 3.4. NEO430 Application Makefile.....72
 - 3.4.1. Targets.....73
 - 3.4.2. NEO430-Specific Flags.....73
- 4. Let's Get It Started!.....74**
 - 4.1. General Hardware Setup.....74
 - 4.2. General Software Setup.....77
 - 4.3. Application Program Compilation using Windows Powershell.....78
 - 4.4. Application Program Compilation using the Windows Bash Subsystem or a Native Linux System...79
 - 4.5. Uploading and Starting of a Binary Executable Image via UART.....81
 - 4.6. External SPI Boot Flash.....84
 - 4.7. Setup of a New Application Program Project.....86
 - 4.8. Simulating the Processor.....87
 - 4.9. Re-Building the Internal Bootloader.....88
 - 4.10. Building a Non-Volatile Application (Program Fixed in IMEM).....88
 - 4.11. Alternative Top Entities / Avalon Bus / AXI4 Lite Connectivity.....89
 - 4.12. Troubleshooting.....90
- 6. Change Log.....91**
- 7. Citation.....93**

1. Introduction

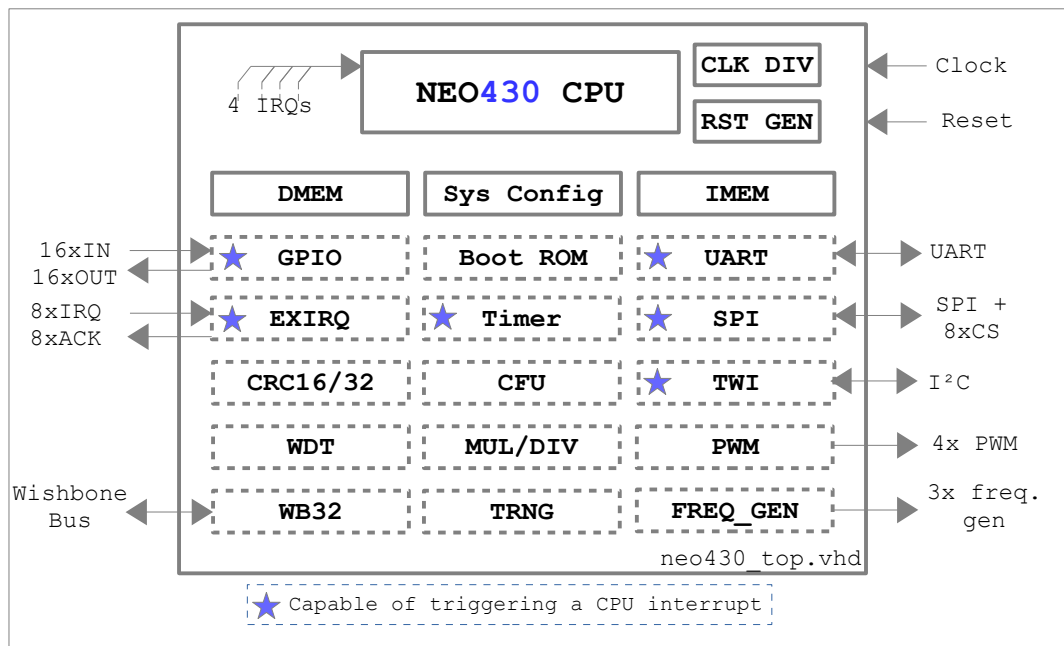


Figure 1: NEO430 processor block diagram, optional modules are marked using dashed lines

Welcome to **The NEO430 Processor** project!

You need a small but still powerful, customizable and microcontroller-like processor system for your next FPGA design? Then the NEO430 might be the right choice for you!

This processor is based on the Texas Instruments MSP430 ISA and provides compatibility with the original instruction set (differences are listed below). The processor features a very small outline, already implementing standard features like a timer, a watchdog, UART, TWI and SPI serial interfaces, general purpose IO ports, an internal bootloader and of course internal memory for program code and data. All of the peripheral modules are optional – if you do not need them, you can just exclude them from implementation to reduce the footprint of the system. Any additional modules, which make a more customized system, can be connected via a Wishbone-compatible bus interface or you can add them as custom functions unit to the processor core itself. By this you can build a system that perfectly fits your needs.

The high-level software development is based on the free TI [msp430-gcc](#) compiler tool chain. You can either use Windows Powershell, the Windows Bash Subsystem or directly Linux as build environment for your applications. The example software folder of this project features several demo programs from which you can start creating your own NEO430 applications.

This project is intended to work "out of the box". Just synthesize the test setup from this project, upload it to your FPGA board and start exploring the capabilities of the NEO430 processor. Application program generation (and even ROM-installation) works by executing a single "make" command. Jump to [4. Let's Get It Started!](#), where a lot of guides and tutorials are provided to make your first NEO430 setup run.

1.1. Processor Key Features

- ✓ 16-bit open source soft-core microcontroller-like processor system
- ✓ Code-efficient RISC-like ISA with powerful CISC-like addressing capabilities
- ✓ Full support of the original MSP430 instruction set architecture
- ✓ Tool chain based on free TI msp430-gcc compiler
- ✓ Application compilation makefiles for Windows Powershell / Subsystem for Linux and native Linux
- ✓ Completely described in behavioral, platform-independent VHDL (no macros, primitives, attributes, etc. used), tested on Intel, Xilinx and Lattice FPGAs
- ✓ Fully synchronous design, no latches, no gated clocks
- ✓ Very low hardware resource requirements and high operating frequency
- ✓ Internal data (**DMEM, p.30**) and instruction memories (**IMEM, p.30**) with user-configurable sizes
- ✓ Customizable processor hardware configuration
- ✓ Optional multiplier and divider unit (**MULDIV, p.48**)
- ✓ Optional high-precision 16-bit timer (**TIMER, p.43**) with arbitrary frequency generator output
- ✓ Optional universal asynchronous receiver and transmitter unit (**UART, p.36**)
- ✓ Optional 8/16-bit serial peripheral interface master (**SPI, p.39**) with 6 dedicated chip select lines
- ✓ Optional two wire serial interface master (**TWI, p.41**), compatible to the I²C standard
- ✓ Optional general purpose parallel IO port (**GPIO, p.35**), 16xOUT & 16xIN + pin-change interrupt
- ✓ Optional 32-bit Wishbone bus interface adapter (**WB32, p.32**) – incl. bridges to Avalon & AXI-Lite
- ✓ Optional watchdog timer (**WDT, p.45**)
- ✓ Optional custom functions unit (**CFU, p.52**) to implement user-defined extensions
- ✓ Optional 16 or 32 bit cyclic redundancy checksum computation unit (**CRC16/32, p.51**)
- ✓ Optional 4 channel PWM controller with 4 or 8 bit resolution (**PWM, p.53**)
- ✓ Optional GARO-based true random number generator (**TRNG, p.56**)
- ✓ Optional 8 channel external interrupts controller (**EXIRQ, p.59**), capable of triggering IRQs by SW
- ✓ Optional internal bootloader (**BOOTLD, p.68**) with UART or SPI flash boot option
- ✓ Optional arbitrary frequency generator (**FREQ_GEN, p.63**)

1.2. Main Differences to TI's Original MSP430 Architecture

Since the NEO430 is not intended as MSP430 clone, there are severe differences to TI's original product lines. The *main* differences are:

- x Completely different processor peripheral modules with different functionality
- x No *compiler support* of the hardware multiplier/divider – the multiplier/divider unit can still be utilized by using explicit C functions provided by the NEO430 C-library; see chapter [2.13. Multiplier and Divider Unit \(MULDIV\)](#) for more information
- x Maximum of 48kB instruction memory and 12kB of data memory
- x Specific NEO430 tool chain required (makefiles, boot-code and linker script)
- x Custom binary executable format (→ [3.1.4. Executable Image Formats](#))
- x No hardware debugging interface
- x No analog components
- x No support of TI's Code Composer Studio
- x No support of the CPU's DADD instruction / BCD addition¹ (→ [2.1.5. Instruction Set](#))
- x Just 4 CPU interrupt channels (extendable via the EXIRQ controller)
- x Single clock domain for complete processor
- x Different numbers of instruction execution cycles (→ [2.1.6. Instruction Timing](#))
- x Only one power-down (sleep) mode
- x Internal bootloader with user interface via UART serial port (→ [3.2. Internal Bootloader](#))
- x NEO430-specific extended ALU functions (disabled by default) (→ [2.1.2. Arithmetic / Logic Unit](#))

¹ Should not be a problem, since the compiler does not use this instruction at all when not explicitly used as inline assembly.

1.3. Project Home Folder Structure

neo430	Project home folder
├─ doc	This folder contains a copy of the implemented Wishbone specifications as well as the processor documentary (the document you are currently reading).
├─ figures	Some figures for the web page.
├─ rtl	All the rtl files of the project can be found here.
├─ core	This folder contains all the rtl (VHDL) core files of the NEO430 processor. Make sure to add ALL of them to your FPGA EDA project.
├─ top_templates	Here you can find several different exemplary top entities of the NEO430 (like a simple system top entity that you can use for your first FPGA test implementation of the NEO430 processor or a top entity using only resolved std_logic signal types).
├─ fpga_specific	This folder provides FPGA vendor-specific & optimized HW modules.
├─ sim	The sim folder contains a simple VHDL testbench and additional simulation files.
├─ ghdl	Contains a simple script to simulate the processor's testbench using the free and open GHDL.
├─ ISIM	Here you can find a default Xilinx ISIM/Vivado simulator waveform configuration file.
├─ modelsim	Waveform configuration file and simulation compilation script for Mentor Graphic's ModelSim.
├─ sw	The software folder contains example programs, software libraries, compilation scripts and of course several example code projects to start from.
├─ bootloader	Sources and compilation scripts of the NEO430-internal bootloader.
├─ common	Application linker script and CPU startup code.
├─ example	Here you can find several example programs. Each project folder includes the program's C sources and a makefile for compilation. Add your own projects to this folder.
├─ lib	This folder contains different C software libraries.
├─ neo430	Here you can find the NEO430 HW driver library's C source files and the according header/include files.
├─ include	
├─ source	
├─ tools	This folder contains helper programs.
├─ image_gen	This program either generates an executable binary (for uploading via the bootloader) or an executable VHDL ROM initialization image for the bootloader ROM or the actual application ROM/RAM.
├─ travis_ci	Scripts for travis CI.

1.4. Processor VHDL File Hierarchy

All necessary VHDL hardware description files are located in the project's `rtl/core` folder. The top entity of the entire processor including all the required configuration generics is `neo430_top.vhd`. Make sure to add all files to your project and assign them to a **library** called “`neo430`”.

<code>neo430_top.vhd</code>	Processor core top entity
├─ <code>neo430_boot_rom.vhd</code>	Bootloader ROM
│ └─ <code>neo430_bootloader_image.vhd</code>	Boot ROM initialization image for the bootloader
├─ <code>neo430_cfu.vhd</code>	Custom functions units for user-defined extension
├─ <code>neo430_crc.vhd</code>	Checksum computation unit (CRC16/32)
├─ <code>neo430_dmem.vhd</code>	DMEM: Internal RAM for storing data
├─ <code>neo430_exirq.vhd</code>	External interrupts controller
├─ <code>neo430_freq_gen.vhd</code>	3-channel arbitrary frequency generator
├─ <code>neo430_gpio.vhd</code>	General purpose 16-bit input/output controller
├─ <code>neo430_imem.vhd</code>	IMEM: Internal RAM/ROM for the application code
│ └─ <code>neo430_application_image.vhd</code>	IMEM application initialization image
├─ <code>neo430_muldiv.vhd</code>	Multiplier and divider unit
├─ <code>neo430_package.vhd</code>	Processor VHDL package file
├─ <code>neo430_pwm.vhd</code>	Pulse-width modulation controller
├─ <code>neo430_spi.vhd</code>	Serial peripheral interface
├─ <code>neo430_sysconfig.vhd</code>	IRQ vector configuration and system information
├─ <code>neo430_timer.vhd</code>	High-precision timer
├─ <code>neo430_trng.vhd</code>	True random number generator
├─ <code>neo430_twi.vhd</code>	Two wire serial interface
├─ <code>neo430_uart.vhd</code>	Universal asynchronous receiver/transmitter
├─ <code>neo430_wb_interface.vhd</code>	Wishbone bus adapter
├─ <code>neo430_wdt.vhd</code>	Watchdog timer
└─ <code>neo430_cpu.vhd</code>	NEO430 CPU's top entity
└─ <code>neo430_addr_gen.vhd</code>	CPU address generator unit
└─ <code>neo430_alu.vhd</code>	CPU arithmetic/logic unit
└─ <code>neo430_control.vhd</code>	CPU control finite state machine
└─ <code>neo430_reg_file.vhd</code>	CPU register file

1.5. Processor Top Entity – Signals

The following table shows all interface ports of the processor top entity (`neo430_top.vhd`). The type of all signals is `std_ulogic` or `std_ulogic_vector`, respectively² (except for the TWI signals).

Signal name	Width	Direction	Function	HW Module
Global Control				
<code>clk_i</code>	1	Input	Global clock line, all registers triggering on rising edge	global
<code>rst_i</code>	1	Input	Global reset, low-active	global
General Purpose Inputs & Outputs				
<code>gpio_o</code>	16	Output	General purpose parallel output ³	GPIO
<code>gpio_i</code>	16	Input	General purpose parallel input	GPIO
PWM Channels				
<code>pwm_o</code>	4	Output	Pulse Width Modulation channels	PWM
Frequency Generator				
<code>freq_gen_o</code>	3	Output	Arbitrary frequency generator output	FREQ_GEN
Serial Communication				
<code>uart_txd_o</code>	1	Output	UART serial transmitter	UART
<code>uart_rxd_i</code>	1	Input	UART serial receiver	UART
<code>spi_sclk_o</code>	1	Output	SPI master clock line	SPI
<code>spi_mosi_o</code>	1	Output	SPI serial data output	SPI
<code>spi_miso_i</code>	1	Input	SPI serial data input	SPI
<code>spi_cs_o</code>	8	Output	SPI dedicated chip select lines 0..7 ⁴ (low-active)	SPI
<code>twi_sda_io</code>	1	InOut	TWI serial data line	TWI
<code>twi_scl_io</code>	1	InOut	TWI serial clock line	TWI
Wishbone Bus (on-chip)				
<code>wb_adr_o</code>	32	Output	Slave address	WB32
<code>wb_dat_i</code>	32	Input	Write data	WB32
<code>wb_dat_o</code>	32	Output	Read data	WB32
<code>wb_we_o</code>	1	Output	Write enable ('0' = read transfer)	WB32
<code>wb_sel_o</code>	4	Output	Byte enable	WB32
<code>wb_stb_o</code>	1	Output	Strobe	WB32
<code>wb_cyc_o</code>	1	Output	Valid cycle	WB32
<code>wb_ack_i</code>	1	Input	Transfer acknowledge	WB32
External Interrupt Request				
<code>ext_irq_i</code>	8	Input	Interrupt request signals, high-active	EXIRQ
<code>ext_ack_o</code>	8	Output	Interrupt request acknowledges, single-shot	EXIRQ

Table 1: `neo430_top.vhd` – processor's top entity interface ports

- 2 If you need a top entity with resolved signals, take a look at the alternative top entities in the `rtl/top_templates` folder.
- 3 Bit #0 is used by the bootloader to drive a high-active status LED.
- 4 Chip select #0 is used by the bootloader to access the external boot SPI flash.

1.6. Processor Top Entity – Configuration Generics

The following table shows the configuration generics of the processor top entity (`neo430_top.vhd`).

Generic name	Type	Default	Function
General Configuration			
CLOCK_SPEED	natural	100000000	Clock speed of signal <code>clk_i</code> in Hz (Hertz)
IMEM_SIZE	natural	4*1024	Size of internal instruction memory (max 48kB) in bytes
DMEM_SIZE	natural	2*1024	Size of internal data memory (max 12kB) in bytes
Additional Configuration			
USER_CODE	std_ulogic_vector	x"0000"	16-bit custom user code, can be read by application software
Module Configuration			
MULDIV_USE	boolean	true	Implement multiplier/divider unit
WB32_USE	boolean	true	Implement Wishbone interface adapter
WDT_USE	boolean	true	Implement watchdog timer
GPIO_USE	boolean	true	Implement parallel GPIO port
TIMER_USE	boolean	true	Implement high-precision timer
UART_USE	boolean	true	Implement UART serial communication unit
CRC_USE	boolean	true	Implement checksum computation unit
CFU_USE	boolean	false	Implement custom functions unit
PWM_USE	boolean	true	Implement pulse width controller
TWI_USE	boolean	true	Implement two wire serial interface unit
SPI_USE	boolean	true	Implement serial peripheral interface unit
TRNG_USE	boolean	false	Implement true random number generator
EXIRQ_USE	boolean	true	Implement external interrupts controller
FREQ_GEN_USE	boolean	true	Implement arbitrary frequency generator
Boot Configuration			
BOOTLD_USE	boolean	true	Implement and auto start internal bootloader
IMEM_AS_ROM	boolean	false	Implement internal instruction memory as read-only memory

Table 2: `neo430_top.vhd` – processor's top entity configuration generics



The main processor configuration regarding memory sizes and available peripheral modules is done using the top unit's generics. The advanced or experimental hardware configuration (NX config) is done using flags in the processor's main VHDL package file (`neo430_package.vhd`).

1.7. Alternative Top Entities

Besides the actual top entity of the processor ([rtl/core/neo430_top.vhd](#)), there are several other entities that can be used instead. These alternative top entities are located in: [rtl/top_templates](#)

Top entity file	Description
<code>neo430_test.vhd</code>	This setup is meant as “hello world” test project for your first contact with the neo430 processor. This setup is used in the Let’s Get It Started tutorial.
<code>neo430_top_avm.vhd</code>	This top entity features an Avalon master interface, which is generated by converting the processor’s Wishbone bus. All signals are std_logic .
<code>neo430_top_std_logic.vhd</code>	Same as the original top entity, but using only std_logic signal types.
<code>neo430_top_axi_lite.vhd</code>	This top entity features an AXI-Lite-compatible master interface, which is generated by converting the processor’s Wishbone bus. All signals are std_logic .

Table 3: Alternative top entities

1.8. FPGA Implementation Results

This chapter shows some exemplary implementation results of the NEO430 processor for different FPGA platforms, EDA tool chains and configurations.

1.8.1. Full Implementation (Default Configuration)

Configuration

Hardware Version: 0x0406	
• IMEM_SIZE:	4*1024
• DMEM_SIZE:	2*1024
• MULDIV_USE:	true
• WB32_USE:	true
• WDT_USE:	true
• GPIO_USE:	true
• TIMER_USE:	true
• UART_USE:	true
• CRC_USE:	true
• CFU_USE:	false
• PWM_USE:	true
• TWI_USE:	true
• SPI_USE:	true
• TRNG_USE:	false
• EXIRQ_USE:	true
• FREQ_GEN_USE:	true
• BOOTLD_USE:	true
• IMEM_AS_ROM:	false

The **Lattice iCE40 UltraPlus** Version uses optimized memory modules (for IMEM & DMEM) to utilize the SPRAM memory primitives of the FPGA (IMEM = 32kB, DMEM = 12kB).

FPGA Tools

- Intel Quartus Prime Lite 17.1 (“balanced implementation”)
- Xilinx Vivado 2019.2, default strategies
- Lattice Radiant 1.1 (Synplify)

Implementation Results

Resource	Intel Cyclone IV <i>EP4CE22F17C6N</i>	Xilinx Artix-7 <i>XC7a35TICS324-1L</i>	Lattice iCE40 UltraPlus <i>iCE40UP5K-SG48I</i>
LUTs/LEs:	1869 / 22320 (8%)	1036 / 20800 (5%)	3928 / 5280 (74%)
FFs/ Registers:	1137 / 22320 (5%)	1144 / 41600 (2.75%)	1923 / 5280 (36%)
Total memory bits / Block RAMs / EBRs ⁵ :	65800 / 608256 (11%)	2.5 / 50 (5%)	EBR: 9 / 30 (30%) SPRAM: 2 / 4 (50%)
DSP-Blocks:	0	0	0
Maximum Frequency:	121 MHz (slow 1200mV 0°C model)	100 MHz (constrained)	20.25 MHz (constrained)

Table 4: Hardware utilization – full / default configuration

⁵ Using optimized memory modules for IMEM (32kB) & DMEM(12kB) from the `rtl\pga_specific\lattice_ice40up` folder

1.8.2. Minimal Configuration

This is the minimal configuration of the NEO430 processor that is still able to do “useful” stuff.

Configuration

Hardware Version: 0x0406			
•	IMEM_SIZE:	4*1024	
•	DMEM_SIZE:	2*1024	
•	MULDIV_USE:	false	
•	WB32_USE:	false	
•	WDT_USE:	false	
•	GPIO_USE:	true	
•	TIMER_USE:	false	
•	UART_USE:	false	
•	CRC_USE:	false	
•	CFU_USE:	false	
•	PWM_USE:	false	
•	TWI_USE:	false	
•	SPI_USE:	false	
•	TRNG_USE:	false	
•	EXIRQ_USE:	false	
•	FREQ_GEN_USE:	false	
•	BOOTLD_USE:	false	
•	IMEM_AS_ROM:	true	

The **Lattice iCE40 UltraPlus** Version uses optimized memory modules (for IMEM & DMEM) to utilize the SPRAM memory primitives of the FPGA (IMEM = 32kB, DMEM = 12kB). These primitives cannot be initialized via bitstream. Therefore, the Lattice implementation uses the IMEM as RAM and also includes bootloader (which could be used to initialize the IMEM via the GPIO signals...).

FPGA Tools

- Intel Quartus Prime Lite 17.1 (“balanced implementation”)
- Xilinx Vivado 2019.2, default strategies
- Lattice Radiant 1.1 (Synplify)

Implementation Results

Resource	Intel Cyclone IV EP4CE22F17C6N	Xilinx Artix-7 XC7a35TICS324-1L	Lattice iCE40 UltraPlus iCE40UP5K-SG48I
LUTs/LEs:	590 / 22320 (3%)	576 / 20800 (3%)	1812 / 5280 (34%)
FFs/ Registers:	230 / 22320 (1%)	26 / 41600 (0.6%)	755 / 5280 (14%)
Total memory bits / Block RAMs / EBRs ⁶ :	49408 / 608256 (8%)	1 / 50 (2%)	EBR: 4 / 30 (13%) SPRAM: 2 / 4 (50%)
DSP-Blocks:	0	0	0
Maximum Frequency:	122 MHz (slow 1200mV 0°C model)	100 MHz (constrained)	20.25 MHz (constrained)

Table 5: Hardware utilization – minimal configuration

⁶ Using optimized memory modules for IMEM (32kB) & DMEM(12kB) from the rtl\pga_specific\lattice_ice40up folder

1.8.3. Resource Utilization by Entity

This table shows the required resources for each entity of the processor system. Logic functions of different modules might be merged between entity boundaries, so the total number might vary a bit.

Configuration

Hardware Version: 0x0406	
<ul style="list-style-type: none"> • IMEM_SIZE: 4*1024 • DMEM_SIZE: 2*1024 • MULDIV_USE: true • WB32_USE: true • WDT_USE: true • GPIO_USE: true • TIMER_USE: true • UART_USE: true • CRC_USE: true 	<ul style="list-style-type: none"> • CFU_USE: false • PWM_USE: true • TWI_USE: true • SPI_USE: true • TRNG_USE: true • EXIRQ_USE: true • FREQ_GEN_USE: true • BOOTLD_USE: true • IMEM_AS_ROM: false

Implementation Results

<i>Intel Cyclone IV EP4CE22F17C6N, Intel Quartus Prime Lite 17.1 (“balanced implementation”)</i>					
Entity/Module	Function	LEs	FFs	MEM bits	DSPs
CPU	Central processing unit	525	169	264	0
IMEM (4kB)	Instruction memory (RAM)	5	1	32768	0
DMEM (2kB)	Data memory (RAM)	5	1	16384	0
Boot ROM (2kB)	Bootloader ROM	2	1	16384	0
SYSCONFIG	System information	12	11	0	0
GPIO	GPIO parallel in/out ports	50	45	0	0
MULDIV	Multiplier/divider unit	209	134	0	0
WDT	Watchdog timer	53	37	0	0
TIMER	High-precision timer	66	57	0	0
UART	Universal asynchronous RX & TX	130	91	0	0
WB32	32-bit Wishbone bus interface	129	117	0	0
CRC	Cyclic redundancy checksum unit	111	94	0	0
CFU	<i>Custom functions unit</i>	-	-	-	-
PWM	Pulse width modulation unit	96	66	0	0
TWI	Two wire serial interface	78	43	0	0
SPI	Serial peripheral interface	82	59	0	0
TRNG	True random number generator	92	76	0	0
EXIRQ	External interrupts controller	70	55	0	0
FREQ_GEN	Arbitrary frequency generator	140	130	0	0

Table 6: Hardware utilization by entity

1.9. CPU Performance (CoreMark Benchmark)

The performance of the NEO430 CPU was tested using the [CoreMark CPU benchmark](#). This benchmark focuses on testing the capabilities of the CPU core itself rather than the performance of the whole system. The according source code and the SW project can be found in the `sw/example/coremark` folder. All NEO430-specific modifications of the original code were made “outside” of the time-critical benchmark core.

Configuration

```
Hardware Version: 0x0407
Hardware configuration: 32kB IMEM, 12kB DMEM, 100MHz clock
Compiler: MSP430-GCC 8.3.0
Used peripherals: TIMER for time measurement, UART for printing the results,
MULDIV for multiplications
```

Coremark Results

```
NEO430: clock speed = 100000000 Hz
NEO430: timer IRQs/s = 10
NEO430: running coremark (2000 iterations). This may take some time...

2K performance run parameters for coremark.
CoreMark Size      : 666
Total ticks        : 2887
Total time (secs) : 288
Iterations/Sec     : 6
Iterations         : 2000
Compiler version   : GCC8.3.0
Compiler flags     : -> see makefile
Memory location    : STACK
seedcrc           : 0xe9f5
[0]crclist        : 0xe714
[0]crcmatrix      : 0x1fd7
[0]crcstate       : 0x8e3a
[0]crcfinal       : 0x4983
Correct operation validated. See README.md for run and reporting rules.
```

Example coremark output (the results are computed using integer math)

The resulting CoreMark score is defined as CoreMark iterations (here: 2000) per second. The relative CoreMark score is defined as the CoreMark score divided by the clock frequency in Mhz.

$$\text{CoreMark Score} = \frac{\text{CoreMark iterations}}{\text{Time in seconds}}$$

$$\text{Relative CoreMark Score} = \frac{\text{CoreMark Score}}{\text{Clock frequency [MHz]}}$$

Optimization / Configuration	Executable Size	CoreMark Score	CoreMarks/Mhz
-Os	12150 bytes	6.57	0.065
-O2	14600 bytes	7.16	0.071
-Os + <i>NEO430_MULDIV</i>	12118 bytes	14.43	0.144
-O2 + <i>NEO430_MULDIV</i>	14562 bytes	17.68	0.176
-Os + <i>NEO430_MULDIV</i> + <i>NEO430_DSP</i>	12060 bytes	15.63	0.156
-O2 + <i>NEO430_MULDIV</i> + <i>NEO430_DSP</i>	14510 bytes	19.42	0.194

Table 7: CoreMark results

NEO430_MULDIV

Results #3 and #4 were generated using the “**NEO430_HWMUL_ABI_OVERRIDE**” feature flag for compilation, which allows to map implicit multiplications in the source code via compiler primitives directly to the multiplier core of the MULDIV unit. For more information see chapter [2.13. Multiplier and Divider Unit \(MULDIV\)](#).

NEO430_DSP

The last two CoreMark results were generated using the “**NEO430_HWMUL_DSP**” feature flag for compilation. This feature assumes the usage of the FPGA’s embedded multipliers (DSP block) for the multiplier core of the MULDIV unit. By using this flag, the wait cycles usually required to wait for the result generated by the default serial MULDIV multiplier core are eliminated. Obviously, the usage of DSP block for the MULDIV unit has to be enabled via the advanced/experimental (NX) flags in the processor’s VHDL main package file. For more information see chapter [2.13. Multiplier and Divider Unit \(MULDIV\)](#).

Evaluation

Even though a score of 6.57 can outnumber certain architectures and configurations (see the [score table](#) on the coremark homepage), the relative score of 0.065 CoreMarks per second might sound pretty low. True. But keep in mind the benchmark was executed using only the resources of the NEO430 CPU itself. The CPU consists of only ~520 Intel Cyclone IV LUTs and does not contain any sophisticated ALU operations like multiplications, divisions or barrel shifting.

When including NEO430 MULDIV unit (using the “**NEO430_HWMUL_ABI_OVERRIDE**” feature) the CoreMark score is increased to **19.4**. By explicitly using additional HW accelerators from the NEO430 ecosystem (e.g. the CRC unit) the performance can be further increased.

2. Hardware Architecture

The NEO430 processor system is constructed from the CPU itself and several different memory and peripheral modules. This chapter takes a closer look at these modules and their specific functionality.

Address Space

Although the NEO430 is fully compatible to the original TI MSP430 instruction set architecture, the implemented modules are completely different from the original design. Hence, the provided modules and the resulting address space layout are completely new. The figure below shows the general layout of the 16-bit address space of the CPU.

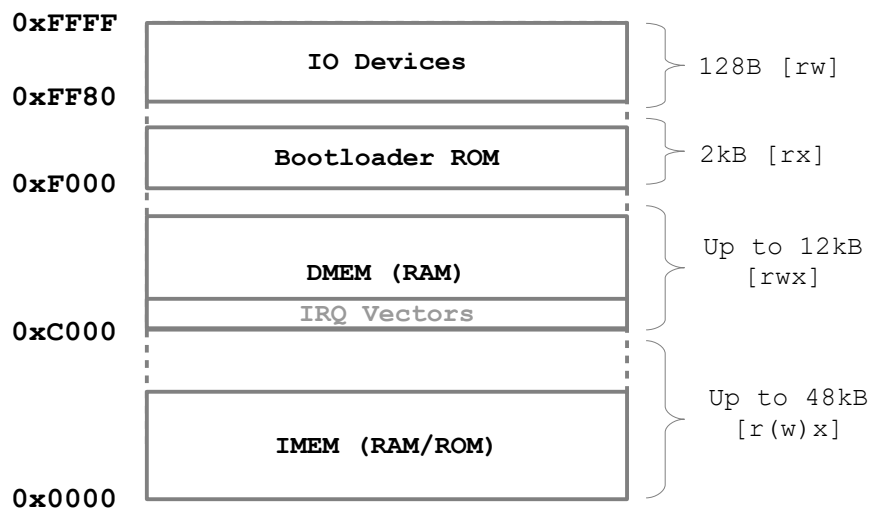


Figure 2: General NEO430 address space layout

In general, the address space is separated into four groups: At the beginning of the address space the instruction memory (**IMEM**) is located. This memory (can be implemented as RAM or ROM) stores the instructions of the actual application. The data memory (**DMEM**) starts in the middle of the address space. This memory stores global variables, the stack and the heap. Additionally, the interrupt vectors are located at the beginning of the DMEM. The custom NEO430 linker script ensures that these locations are not used by the application program. Close to the end of the address space the bootloader ROM can be found. This optional memory contains the image of the interactive bootloader. Finally, all the IO devices (timer, UART, GPIO, ...) are located at the very end of the address space.

Peripheral/IO Devices

In contrast to the original MSP430, the NEO430 does not have any special function registers at the beginning of the memory space. Instead, all 'special functions' – like peripheral/IO devices, control registers and interrupt enable configurations – are located inside the according hardware units. These IO units (devices) are located at the end of the memory space in the so-called *IO region*. This region is 128 bytes large. A special linker script as well as the dedicated NEO430 software library abstract the specific memory layout for the user. All IO devices are reset by software by writing zero to the according unit's control register.

Separated Instruction (IMEM) and Data (DMEM) Memories

Just like the original MSP430, the NEO430 uses separated memories for storing data and instructions, but both memories are accessed via the same bus. The DMEM is implemented as normal RAM, the IMEM is also implemented as RAM, but one can only write to it if a special bit in the CPU's status register is set. Normally, this bit is only set by the bootloader for transferring an image from an external flash or via the UART into the IMEM during the boot process. Alternatively, the IMEM can be implemented as true ROM (via the `IMEM_AS_ROM` generic). In this case, the actual executable application image is included during the synthesis process and persists as non-volatile image in the IMEM. Thus, the bootloader ROM is no longer required (only for development purpose, maybe).

Word and Byte Accesses

All internal memories (IMEM, DMEM, bootloader ROM) can be accesses in byte and word mode. All of the peripheral devices in the IO region can only be accessed using full-word mode.



All IO modules (peripheral modules) can only be accessed in full-word mode (full 16-bit accesses).

Internal Reset Generator

All processor-internal modules – except for the CPU and the watchdog timer – do not require a dedicated reset signal. However, all devices can be reset by software by clearing the corresponding unit's control register. The automatically included application start-up code will perform such a software-reset of all modules to ensure a clean system reset state.

The hardware reset signal of the processor can either be triggered via the external reset pin (**LOW-active**) or by the internal watchdog timer (if implemented). Before the external reset signal is applied to the system, it is filtered (so no spike can generate a reset, a minimum active reset period of one clock cycle is required) and extended to have a minimal duration of four clock cycles.

Internal Clock Generator

An internal clock divider generates 8 clock signals derived from the main clock input. These derived clock signals are not actual *clock signals*. Instead, they are derived from a simple counter and are used as “clock enable” signal by the different processor modules. Thus, the whole design operates using only the main clock signal (single clock domain). Some of the processor modules (like the timer or the UART) can select one of the derived clock enabled signals for their internal operation. If none of the connected modules require a clock signal from the generator, the clock divider is automatically deactivated to reduce dynamic power.

The available clock frequencies from the clock generator can be used by many modules (like the TWI, SPI, UART, Timer and WDT) by setting a certain 3-bit prescaler in the module's control register. The mapping of the selection bits to the actually obtained clock are shown in the table below. “f” represents the main clock.

Prescaler bits:	000	001	010	011	100	101	110	111
Resulting clock	f/2	f/4	f/8	f/64	f/128	f/1024	f/2048	f/4096

2.1. NEO430 CPU

The CPU is the heart of the NEO430 processor. It implements all the instructions, emulated instructions and addressing modes of the original TI MSP430 instruction set architecture (ISA). There are small differences to the original architecture when it comes to instruction execution cycles, status register bits, power down modes and interrupt behavior.

The CPU consists of the following VHDL files (from the project's rtl/core folder):

- neo430_addr_gen.vhd → address generator unit
- neo430_alu.vhd → main arithmetic/logic unit
- neo430_control.vhd → finite-state machine for CPU control
- neo430_cpu.vhd → CPU top entity
- neo430_reg_file.vhd → register file (incl. Status register and stack pointer)

Data Path

Instruction execution is conducted by performing several tiny steps – so-called *micro operations*. Thus, the NEO430 implements a multi-cycle architecture: The CPU requires several consecutive cycles to complete a single instruction. An accurate listing of the required processing cycles for each instruction is given in the following chapter. The execution of the micro operations is controlled by the central control arbiter, which implements a complex finite state machine (FSM). This FSM generates the control signals for the data path, that processes the data. This data path is constructed from the register file, the primary data ALU and the address generator unit. The image below shows the simplified architecture of this data path.

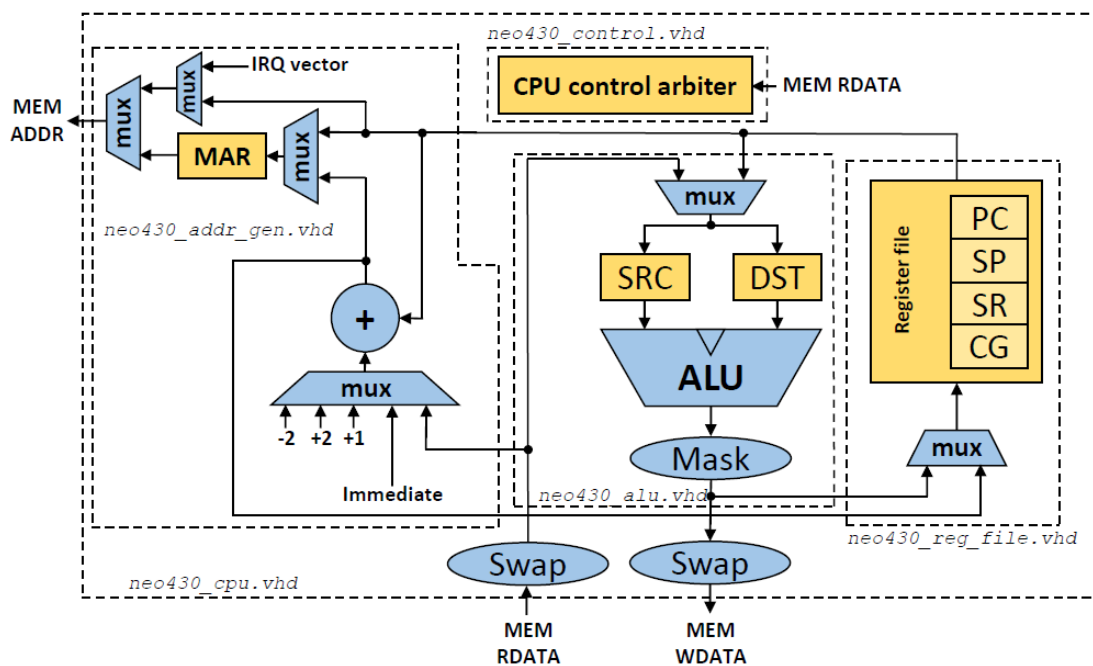


Figure 3: Data path of the NEO430 CPU

Control Path

The NEO430 CPU was implemented as multi-cycle architecture, requiring several consecutive clock cycles to process a single instruction. Obviously, this kind of implementation scheme reduces the overall performance when compared to a pipelined one. There are two main points for this design decision: First, a multi cycle architecture generally requires less logic since you don not need any pipeline conflict handling (e.g., forwarding). Second, the MSP430 ISA uses CISC-like features, which makes it nearly impossible to implement in using a classic 5-stage pipeline (e.g., single instructions requiring 3 memory accesses). A summary of the control FSM can be found in the project's doc folder: `doc/neo430_control_fsm.ods`

2.1.1. Register File

The NEO430 provides a register file with 16 registers, each having a data width of 16 bit. Each register can be accessed in 16-bit or 8-bit mode, but always a full 16-bit word is written back. The first four registers have a special purpose:

- R0: Program counter
- R1: Stack pointer, managed by hardware, can also be used as general purpose data register
- R2: Status register (see later)
- R4: Constant generator; not an actual register, writing data to this register has no effect

The remaining 12 registers can be used as general purpose data registers.

2.1.2. Arithmetic / Logic Unit

The ALU is the data processing core of the processor. It implements arithmetical, logical, transfer, exchange, test and compare operations. All these operations are derived from the original TI MSP430. Most of the ALU operations generate some kind of status information that is stored to the status register.

Extended ALU functions

The NEO430 ALU provides some features/function which are not part of the original MSP430 processor ISA. At the moment, the only extended ALU function is the computation of a parity flag conducted for each ALU operation (including MOVs). For this, all result bits are XNORed and the result is stored to a normally reserved bit in the status register (see next chapter). The `neo430_cpu.c` hardware driver library provides a function to easily utilize this feature.

By default, these option are excluded from synthesis but can be enabled via the processor's VHDL package file (`rtl\core\neo430_package.vhd`):

```
constant use_xalu_c : boolean := false; -- implement extended ALU function
```

Binary-Coded Decimal Addition (DADD instruction)

The NEO430 does not support the original TI MSP430 DADD instruction, since this operation is very rarely used and consumes a lot of hardware for implementation. The compiler will not generate this instruction⁷ if it is not explicitly used as inline assembly.



The application compilation makefiles will output a warning when the DADD instruction might be used by a program.

```
NEO430: WARNING! 'DADD' instruction might be used!
```

The makefile only scans the generated assembly listing file for the “DADD” keyword. If the makefile outputs this warning, there might be a DADD instruction in the actual program code. But it is more likely that a part from the read-only section of the program (like a string or other constants) was interpreted by the disassembly process as DADD instruction. In case of doubt check the assembly listing file *.s by yourself.

⁷ At least I have never seen that. ;)

2.1.3. Status Register

The status register (SR = R2) represents the ALU execution status flags and CPU control flags. The carry **C**, zero **Z**, negative **N** and the overflow **V** flags correspond to the result of the last ALU operation.

Via the **I** flag interrupts can be globally activated or deactivated. If this flag is cleared, all further interrupt requests to the CPU are queued and finally executed when the **I** flag is set again. When setting the **Q** flag, all pending interrupts in the CPU's interrupt request queue are deleted. This flag is write-only (read as zero) and automatically clears after being set.

The **S** flag is used to bring the CPU into power-down (sleep) mode. When this flag is set, the CPU is completely deactivated while all processor modules – like the timer – keep operating. An interrupt request from any IRQ channel will reactivate the CPU, clears the **S** flag and the processor resumes operations with the next consecutive instruction.

The **R** flag is used to control write access to the internal instruction memory (IMEM). When set, the IMEM behaves as a RAM, otherwise the IMEM behaves like a true read-only memory. If the IMEM is implemented as true ROM (IMEM_AS_ROM generic), this flag is always zero and no write access to the IMEM is possible at all. All other bits of the status register do not have a specific function yet. Hence, they are reserved for future use and should not be used and are always read as zero.

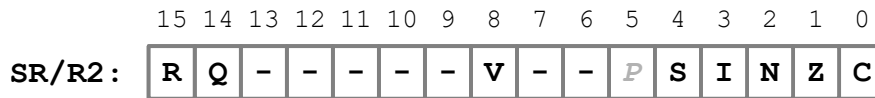


Figure 4: Processor status register

Bit#	Name	R/W	Function
0	C_FLAG	R/W	Carry flag
1	Z_FLAG	R/W	Zero flag
2	N_FLAG	R/W	Negative flag
3	I_FLAG	R/W	Global Interrupt enable
4	S_FLAG	R/W	Sleep mode (CPU off)
5	P_FLAG	R/W	Parity flag ⁸ (see previous. chapter)
6..7	-	R/-	Reserved, read as 0
8	V_FLAG	R/W	OVERflow flag
9..13	-	R/-	Reserved, read as 0
14	Q_FLAG	-/W	Clears pending interrupt buffer when set ⁹
15	R_FLAG	R/W	Allow write access to IMEM “ROM”

Table 8: Bits of the status register

8 This flag is only available if the extended ALU operations switch is activated. See chapter Arithmetic / Logic Unit for more information.

9 This flag is automatically cleared in the next clock cycle and is always read as zero.

2.1.4. Interrupts

The NEO430 CPU features 4 independent interrupts via 4 interrupt request signals. When triggered, each of these requests start a unique interrupt handler. The interrupt-causing sources can be the TIMER threshold match interrupt, the UART or the TWI or the SPI transmission-done interrupt, the GPIO pin-change interrupt or the external interrupts controller. The base addresses of the according interrupt handlers have to be stored in advance to the interrupt vector configuration table, which is located at the beginning of the DMEM. The application linker script ensures these locations are not used by the actual program.

Address	IRQ Vector Name	Priority	Source
0xC000	IRQVEC_TIMER	1 (highest)	The timer generates a threshold match
0xC002	IRQVEC_SERIAL	2	UART Rx available OR UART TX done OR SPI transmission done OR TWI transmission done
0xC004	IRQVEC_GPIO	3	GPIO input pin change
0xC006	IRQVEC_EXT	4 (lowest)	External interrupts controller IRQ

Table 9: Interrupt sources, priorities and handler base addresses with configuration register names

Operation

All interrupts can be globally disabled by clearing the **I** flag in the processor's status register. An interrupt handler can only execute, when the **I** flag is set and the corresponding enable flag of the interrupt source is activated inside the according source's control register (e.g., the timer unit).

If an interrupt is triggered, the according handler is executed and the interrupt request is deleted from the queue as soon as the handler starts executing. If the same interrupt request triggers again during the execution of the handler, the request is stored and is executed after the handler has finished. Any other pending interrupt requests with lower priority will be further queued. Whenever an interrupt is triggered and the corresponding handler is entered, the **I** flag of the status register is cleared to avoid an interruption of the executed handler. If more than one interrupt channel is triggered at the same time, the one with the highest priority is executed while the other requests are queued. When the handler of the interrupt with the highest priority exits, the handler of the interrupt with the next lower priority is started afterwards. Of course, you can reactivate the global interrupt enable flag inside an interrupt handler to implement a nested interrupt behavior. When setting the **Q** flag, all pending interrupt request in the buffer are deleted.

Interrupt Vector Configuration

The interrupt vectors can be initialized by a program by using the provided register aliases:

```
// interrupt vector table setup
IRQVEC_TIMER = (uint16_t)(&timer_irq_handler); // Timer IRQ handler address
IRQVEC_SERIAL = (uint16_t)(&serial_irq_handler); // UART/SPI/TWI IRQ handler address
IRQVEC_GPIO = (uint16_t)(&gpio_irq_handler); // GPIO IRQ handler address
IRQVEC_EXT = (uint16_t)(&ext_irq_handler); // External IRQ handler address
```



The external IRQ vector is automatically assigned by the EXIRQ library functions and should not be defined manually (→ [2.18. External Interrupts Controller \(EXIRQ\)](#)).

Using Interrupts in C Code

The interrupt handlers have to use specific attributes to ensure they perform stack spilling and also to use the RETI instruction when finishing. Each handler must not have any passed arguments nor a return value. The following example shows an exemplary setup:

```
int main(void) {  
    IRQVEC_TIMER = (uint16_t)(&timer_irq_handler); // Timer IRQ handler address  
    ...  
}  
  
/* -----  
 * INFO Timer interrupt handler  
 * ----- */  
void __attribute__((__interrupt__)) timer_irq_handler(void) {  
    ...  
}
```

CPU Behavior

When a valid interrupt is received by the CPU, the hardware first stores the return address and afterwards the current state of the status register (including the set interrupt enable flag) to the stack. After that, the global interrupt flag and the sleep flag (if set) are cleared. Thus, the status register keeps its value, which was set in the interrupted program, except for the cleared sleep and interrupt enable flags. Finally, the according interrupt handler address is moved to the program counter to start execution of the handler. When the handler finishes execution (by the RETI instruction), the CPU reloads the old state of the status register (with the set interrupt enable flag and maybe the set sleep flag) and the return address from the stack to continue normal program execution.



When an interrupt handler finishes execution, at least one instruction from the interrupted program is executed before the same or another interrupt handler can start execution.

Maximum CPU Interrupt Latency

The maximum interrupt latency – starting from a valid interrupt request to the CPU until the actual interrupt service routine is started – is defined by the latency of the interrupt management system of the CPU, the latency of the currently executed instruction and the latency required for fetching and starting the according interrupt vector.

The interrupt management system requires 2 cycles to process a valid interrupt request. The worst-case latency for an instruction (see next sub chapter) is presented by a certain CALL instruction, which requires 11 cycles for completion. If an interrupt is triggered, 8 cycles are required to fetch the corresponding interrupt vector and to perform a jump to that address. Thus, the **maximum interrupt latency is 21 cycles**. In contrast, the **minimum interrupt latency is 10 cycles**.

External Interrupts

In its default configuration, the NEO430 processor features eight external interrupt request signals (top entity port `ext_irq_i`) with eight according interrupt request acknowledge signals (top entity port `ext_ack_o`). The IRQ signals are evaluated by the external interrupts controller (EXIRQ) and are passed to the CPU's `IRQVEC_EXT` interrupt request line.



When the external interrupts controller (EXIRQ) is excluded from synthesis, the external interrupt and acknowledge lines do not have a function.

For more information regarding the use of the external interrupts via the EXIRQ take a look at chapter [2.18. External Interrupts Controller \(EXIRQ\)](#).

2.1.5. Instruction Set

The instruction set of the NEO430 CPU is binary-compatible to the original TI MSP430 instruction set architecture. The only exception is presented by the CPU's BCD addition instruction DADD, which is NOT supported by the NEO430. A cheat sheet featuring all instructions can be found in the "instruction_set.pdf" in the doc folder.



The double-operand "decimal addition" instruction (DADD) is not supported by the NEO430.

2.1.6. Instruction Timing

A fully registered data path, which is subdivided into several micro operation cycles, is implemented by the NEO430 CPU. This allows the system to operate at very high clock rates, but of course this also requires a splitting of the instruction execution into several sub cycles. The tables below show the required execution cycles for the different operand classes and addressing modes.

		SRC			
		Register direct R	Indexed [R+n]	Indirect [R]	Indirect auto inc [R++]
DST	Register direct R	6	8	7	7
	Indexed [R+n]	8	10	9	9

Table 10: Double-operand (**format I**) instruction execution cycles (worst case)

	SRC = DST			
	Register direct R	Indexed [R+n]	Indirect [R]	Indirect auto inc [R++]
CALL	7	10	8	8
PUSH	6	9	7	7
Others	5	8	6	6

Table 11: Single-operand (**format II**) instruction execution cycles (except RETI) (worst case)

Instruction / Operation	Branches	3
	RETI	7
	Interrupt	6

Table 12: Special instructions / operations execution cycles

Average Instruction Execution Time

If all instruction types and formats (except interrupts and RETI) are executed in an equally distributed manner (worst case¹⁰), the average CPI (cycles per instruction) evaluates to **~7.33 cycles per instruction** resulting in **~0.136 MIPS per MHz**.

¹⁰ Using the most complex addressing modes (in terms of required execution cycles).

2.1.7. System Bus

All components of the NEO430 processor are connected to the CPU via the main system bus. Since the connected devices are accessed using a memory-mapped scheme, simple load and store operations are used to transfer data to or from the devices.

Name	Width	Dir	Function
WREN	2	out	Write enable for each of the two transferred bytes
RDEN	1	out	Read enable (always full-word)
ADDR	16	out	Address signal
DO	16	out	Write data
DI	16	in	Read data (one cycle latency)

Table 13: System bus signals (direction seen from CPU)

In the figure below you can see the signal timings when performing a write or read transaction. When conducting a write operation to a specific module, the actual 16-bit address and the data, that shall be written, are applied together with the write enable signals. For single byte transmission, only the corresponding bit of the WREN signal is set. A complete write transaction only requires a single cycle to complete. Read operations require two clock cycles to complete. Here, the read enable signals is applied together with the source address. In the next cycle, the accessed data word is read. Even when performing an explicit read operation of a single byte, the full 16-bit word is transferred.

The data output signals of all devices are OR-ed together before the resulting signal is fed to the CPU. Hence, only the actually accessed device must generate an output different than 0x0000. Therefore, read transactions are subdivided into two consecutive cycles: In the first cycle, the address and the read enabled signal are applied. Now, each device can check whether it is accessed or not. If there is an address match, the according device fetches data from the accessed location and applies it to its data output port in the *next* cycle. In any other situation, the data output of that module must be set to 0x0000.

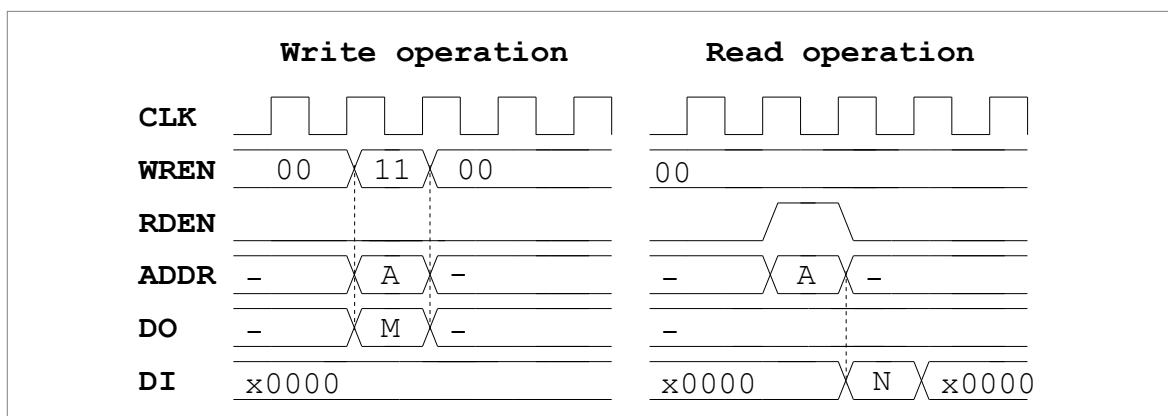


Figure 5: Write and read bus cycles (full word transfers); Write: $M \rightarrow [A]$; Read: $[A] = N$



You can add (or replace) custom modules to the processor-internal bus, but that requires a good understanding of the address space layout and the general NEO430 architecture. Instead, I encourage you to use the custom functions unit (CFU) or the Wishbone bus interface to implement or attach custom logic.

2.2. Internal Instruction Memory (IMEM)

The internal instruction memory (VHDL component `neo430_imem.vhd`) stores the code of the actual user program. It is located at base address 0x0000 of the address space. The actual IMEM size can be configured via the `IMEM_SIZE` generic (see below) of the processor top entity (see cut-out below). Make sure the IMEM size **does not exceed 48 kB**. During run time the size can be obtained by a program by reading a specific CPUID register from the SYSCONFIG module (will be discussed later).

```
IMEM_SIZE => 4*1024, -- internal IMEM size in bytes, max 48kB (default=4kB)
```

By default, the IMEM is implemented as RAM, so the content can be modified during run time. This is required when using a bootloader that can update the content of the IMEM at any time. With the default implementation as RAM the `r_flag` in the CPU's status register has to be set in order to allow write accesses to the instruction memory. If you do not need the bootloader, because your application development is done and you want the program to permanently reside in the IMEM, the IMEM can also be implemented as true read-only memory. In this case set the `IMEM_AS_ROM` generic of the processor's top entity to "true".

```
IMEM_AS_ROM : boolean := false -- implement IMEM as read-only memory? (default=false)
```

When the IMEM is implemented as ROM, it will be initialized during synthesis with the actual application program. The toolchain will generate a VHDL initialization file (`neo430_application_image.vhd`) from your application, which is automatically inserted into the IMEM. If the IMEM is implemented as RAM, the memory will not be initialized at all.

2.3. Internal Data Memory (DMEM)

The internal data memory (VHDL component `neo430_dmем.vhd`) serves as general data memory / RAM for the currently executed program. It is located at base address 0xC000 of the address space. This address is fixed and must not be altered. The actual RAM size can be configured via the `DMEM_SIZE` generic of the processor top entity (see cut-out below). Make sure the RAM size **does not exceed 12 kB**. During run time, the size can be obtained by a program by reading a specific CPUID register from the SYSCONFIG module (will be discussed later). Remember, that the first 8 byte of the DMEM are used by the hardware for storing the interrupt vectors and are not available for the actual program.

```
DMEM_SIZE => 2*1024, -- internal DMEM size in bytes, max 12kB (default=2kB)
```

2.4. Boot ROM

As the name already suggests, the boot ROM (VHDL component `neo430_boot_rom.vhd`) contains the read-only bootloader image, which is executed right after a system reset. It is located at address 0xF000 of the address space. This address is fixed and must not be modified, since it represents the hardware-defined boot address. The ROM size can be configured in the `neo430_package.vhd` file (see cut-out below) if you want to write your own custom bootloader, but the size **must not exceed 2kB**. During synthesis, the VHDL boot ROM is initialized using the `neo430_bootloader_image.vhd` file (which is generated by the image generator auxiliary program during compilation process).

```
constant boot_size_c : natural := 2*1024; -- bytes, max 2kB (default=2kB)
```

If you are using the IMEM as true ROM – initialized with your application code during synthesis – the bootloader is (in most cases) no longer necessary. In this case you can disable the implementation of the bootloader. Use the `BOOTLD_USE` generic of the processor top entity (see cut-out below) to exclude it. If the bootloader implementation is deactivated, the CPU starts booting your application from address 0x0000 instead from the base address of the boot ROM at 0xF000.

```
BOOTLD_USE => true, -- implement and use bootloader? (default=true)
```

Boot Configuration

The default configuration of the NEO430 processor includes all optional modules (except for the custom functions unit) and also provides a build-in serial bootloader. This bootloader is very suitable for the evaluation process, since the application program can be re-uploaded at every time using a standard UART connection. Furthermore, the bootloader provides an automatic boot configuration, which automatically boots from an external SPI flash after a specific UART console timeout. This feature allows to implement a non-volatile program storage, which can still can be altered after implementation.

For a mature design the bootloader feature might not be required anymore. For this scenario the bootloader can be excluded from the design via the according generic configuration switch (`BOOTLD_USE`). If the bootloader is disabled, your application code will be directly executed after reset. Therefore, the application program image remains permanently in the internal instruction memory (IMEM). Note that modifications of the IMEM are still possible when the `IMEM_AS_ROM` switch is not disabled.

More information regarding the boot configuration can be found in chapter [3.2. Internal Bootloader](#).

2.5. Wishbone Bus Interface (WB32)

The default NEO430 processor setup includes a Wishbone bus interface adapter (VHDL component `neo430_wb_interface.vhd`). Several IP blocks (e.g., from [opencores.org](#)) provide a Wishbone interface. Hence, a custom system-on-chip can be build using this bus standard. The Wishbone adapter features 32-bit wide address and data buses. If required, only a subsection of the address and/or data buses can be connected to create a Wishbone bus with smaller data and/or address buses. The `neo430_wishbone.c` hardware driver library in the `sw/lib/neo430` folder already implements the most common Wishbone transfer operations. These “driver functions” also take care of setting the according byte enable signals manipulating the final address when performing 16-bit or even byte-aligned accesses.

Wishbone Bus Protocol

A detailed description of the implemented Wishbone bus protocol and the according interface signals can be found in the [opencores.org](#) documentation data sheet “*Wishbone B4 – WISHBONE System-on-Chip (SoC) Interconnection Architecture for Portable IP Cores*”. A copy of this document can be found in the `doc` folder of this project.

Implementation Control

Use the `WB32_USE` generic of the processor top entity (see cut-out below) to control implementation. When disabled, the dedicated Wishbone interface signals (see table) are not functional. In this case, set all input signals to low level and leave all output signals unconnected.

```
WB32_USE => true, -- implement WB32 unit? (default=true)
```

Wishbone Transactions

To perform a Wishbone transaction, several tiny steps are required. At first, the according byte enable signals (`WB32_CT_WBSELx`) and the transfer cycle type (see later) must be configured in the control register. The byte enable signals directly drive the `wb_sel_o` bus. Setting any of these four bits will also activate the Wishbone adapter. In contrast, the adapter can be deactivated (for example if an addressed slave is not responding) by clearing the control register.

In case of a write transfer, the data, which shall be written, must be loaded into the `WB32_LD` (low 16-bit part) and `WB32_HD` (high 16-bit part) registers. Together, these registers directly drive the `wb_dat_o` data output bus. To start the actual transfer, the address is written to the `WB32_LWA` and `WB32_HWA` register. The actual store access to the high address word register initiates the actual transfer. For a read transfer, the low part of the address is stored to the `WB32_LRA` and `WB32_HRA` register. Just like before, a write access to the high word register triggers the actual read transaction.

As soon as the transaction is started, the `WB32_CT_PENDING` bit in the unit's control register is set to indicate a pending transfer. The transfer was successfully completed when this bit returns to zero. A transfer is completed if the accesses slaves acknowledges the cycle by setting the `ACK` signal. If you wish to abort a pending transfer, you must disable the device by clearing the `WB32_CT` control register.



The Wishbone bus interface of the NEO430 processor **cannot** be used for instruction fetch or direct data access via the standard memory-access instructions. Instead, the bus interface is a communication device, that can be used by a program, which is executed from the internal memory, to access processor-external peripheral devices like mass-storage memories, hardware accelerators or additional communication interfaces.

The Wishbone interface adapter supports the standard or “classic” Wishbone transfer mode when connecting slaves, which apply their acknowledge signal in an asynchronous way. When the accessed slave cannot apply the acknowledge immediately – for example by registering the output signals in order to shorten the critical path – the implemented Wishbone protocol differs from the standard. The NEO430 Wishbone adapter **applies its STB signal only for one single cycle** of an active transfer. The cycle is terminated when the selected slave sets the acknowledge signal. This allows to implement slaves with registered outputs (higher frequency!) while also allowing correct accesses to IP cores, which trigger their operation on the STB signal (for instance a FIFO).

Long story short: When the slave applies its acknowledge asynchronously signal in the **same cycle**, the Wishbone transfer fulfills the **classic/standard mode protocol specification**. When the slave applies its acknowledge signal **one ore more cycles later**, the Wishbone transfer fulfills the specification of the **pipelined mode** protocol.

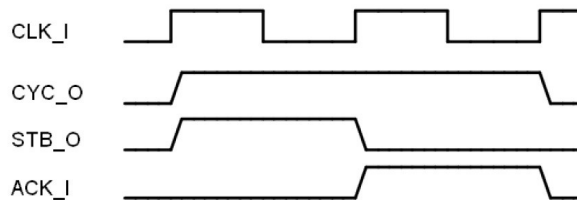


Figure 6: Pipelined Wishbone cycle

Wishbone Bus Interface Signals

Signal name	Width (#bits)	Direction	Function
wb_adr_o	32	Output	Access address
wb_dat_i	32	Input	Read data input
wb_dat_o	32	Output	Write data output
wb_we_o	1	Output	Read/write access
wb_sel_o	4	Output	Byte enable
wb_stb_o	1	Output	Strobe signal
wb_cyc_o	1	Output	Valid cycle indicator
wb_ack_i	1	Input	Cycle acknowledge

Table 14: Wishbone bus interface adapter signals seen from the processor



The Wishbone bus uses the processor’s main clock for data bus operations.

Register Map

Address	Name	Bit(s) (Name)		R/W	Function
0xFF90	WB32_CT	0	WB32_CT_WBSEL0	-/W	Byte 0 transfer enable → <code>wb_sel_o(0)</code>
		1	WB32_CT_WBSEL1	-/W	Byte 1 transfer enable → <code>wb_sel_o(1)</code>
		2	WB32_CT_WBSEL2	-/W	Byte 2 transfer enable → <code>wb_sel_o(2)</code>
		3	WB32_CT_WBSEL3	-/W	Byte 3 transfer enable → <code>wb_sel_o(3)</code>
		4..14		-/-	<i>Reserved, read as 0</i>
		15	WB32_CT_PENDING	R/-	Pending Wishbone transfer flag
0xFF92	WB32_LRA	0..15		-/W	Low address word for read transfer
0xFF94	WB32_HRA	0..15		-/W	High address word for read transfer (+trigger)
0xFF96	WB32_LWA	0..15		-/W	Low address word for write transfer
0xFF98	WB32_HWA	0..15		-/W	High address word for write transfer (+trigger)
0xFF9A	WB32_LD	0..15		R/W	Low word of read/write data, can be accessed in byte mode
0xFF9C	WB32_HD	0..15		R/R	High word of read/write data, can be accessed in byte mode
0xFF9E	-	0..15		-/-	<i>Reserved</i>

Table 15: Wishbone32 interface adapter address map



This unit needs to be reset by software before you can use it. The reset is performed by writing zero to the unit's control register.



Do not read from registers, which do not provide a read access feature (e.g., when R/W is -/W), since such accesses return undefined data.

Regarding Wishbone Bus Sizes

Although the wishbone adapter implements 32-bit wide data and address buses, you do not need to actually use this sizes. If you have only some accessible addresses in you Wishbone network, then 16-bit address width might be sufficient. Also, if you only use slaves with e.g., 16-bit data width, you do not actually need the full 32-bit provided by the adapter. By constraining the bus sizes to your actual needs the hardware can be simplified by the synthesis tool to save hardware resources. Furthermore, if you use the according Wishbone access functions for smaller data width (e.g., 16-bit transfers only), the Wishbone access can be conducted in less CPU cycles increasing the performance.

2.6. General Purpose Input and Output Ports (GPIO)

The general purpose parallel IO controller (VHDL component `neo430_gpio.vhd`) provides a simple 16-bit parallel input port and a 16-bit parallel output port. These ports can be used chip-externally (e.g. to drive LEDs, connect buttons, etc.) or system-internally to provide control signals for other IP modules.

Implementation Control

I know, hardware resources are precious. The GPIO module does not require a lot of logic and you won't have this fancy blinking bootloader status signal, when you disable the module. However, if you do not need the included GPIO ports, you can exclude the module from synthesis. Use the `GPIO_USE` generic of the processor top entity (see cut-out below) to control implementation. If the unit is excluded from synthesis, all parallel output signals are set to low level and the pin change interrupt is permanently disabled.

```
GPIO_USE => true, -- implement GPIO unit? (default=true)
```

Pin-Change Interrupt

The parallel input port features a single pin-change interrupt. To select which input pins can cause an interrupt, the `GPIO_IRQMAS` register allows to select only the desired input pins. The pin change interrupt is deactivated if all bits of the mask register are cleared. When enabled, the interrupt will trigger if there is any transition (rising edge or falling edge on one of the masked input pins. Therefore, it is not possible to directly determine which input pin caused the interrupt. This must be done by reading the input data and examining the new state. Use the `neo430_gpio.c` hardware driver library in the `sw/lib/neo430` folder to get access to some of the most common IO operations like bit set, clear or toggle.

Address	IRQ Vector Name	Priority	Source
0xC004	IRQVEC_GPIO	3	GPIO input pin change.

Table 16: GPIO pin-change interrupt vector

Register Map

Address	Name	Bit(s) (Name)	R/W	Function
0xFFA8	-	0..15	-/-	Reserved
0xFFAA	GPIO_IRQMASK	0..15	-/W	Enable according input pin(s) as interrupt trigger
0xFFAC	GPIO_IN	0..15	R/-	Parallel input port
0xFFAE	GPIO_OUT	0..15	R/W	Parallel output port

Table 17: GPIO module register map

PWM Modulation of the GPIO Output Port

The whole GPIO output port can be modulated by using the processor's PWM controller. See chapter [2.16. Pulse Width Modulation Controller \(PWM\)](#) for more information.

2.7. Universal Asynchronous Receiver and Transmitter (UART)

In most cases, the UART interface is used to establish a communication channel between the computer/user and an application running in the processor. Of course, you can also use the UART for interfacing chip-external peripheral devices. A standard configuration is used for the UART protocol layout: 8 data bits, 1 stop bit and no parity bit. These values are fixed and cannot be altered. The actual Baudrate is configurable by software. This configuration is explained later.

After configuring the Baud rate, the UART must be activated by setting the `UART_CT_EN` in the UART control register `UART_CT`. Now you can transmit a character by writing it to the `UART_RTX` register. The transfer is in progress if the `UART_CT_TX_BUSY` bit in the control register is set. A received char is available when bit #15 of the `UART_RTX` register is set. When reading this register, the available flag is automatically cleared and you have your received character – all done using a single access! That's cool, huh? A “char available” or “transmission completed” interrupt can be activated by setting the according bits in the control register. Note, that both interrupt sources trigger the same interrupt handler (`IRQVEC_SERIAL`)! To make the usage of the UART a little bit easier, the `neo430_uart.c` hardware driver library in the `sw/lib/neo430` folder features elementary function for sending and receiving data. The only thing you have to do by hand is to enable the UART and call the Baud rate configuration. Well, actually you don't have to do this, since it is already done by the bootloader. The bootloader computes the according Baud value based on the clock speed from the `SYSCONFIG` for a final Baud rate of 19200.

Register Map

Address	Name	Bit(s) (Name)	R/W	Function	
0xFFA0	UART_CT	0	UART_CT_BAUD0	R/W	Baud value config bit 0
		1	UART_CT_BAUD1	R/W	Baud value config bit 1
		2	UART_CT_BAUD2	R/W	Baud value config bit 2
		3	UART_CT_BAUD3	R/W	Baud value config bit 3
		4	UART_CT_BAUD4	R/W	Baud value config bit 4
		5	UART_CT_BAUD5	R/W	Baud value config bit 5
		6	UART_CT_BAUD6	R/W	Baud value config bit 6
		7	UART_CT_BAUD7	R/W	Baud value config bit 7
		8	UART_CT_PRSC0	R/W	Baud prescaler select bit 0
		9	UART_CT_PRSC1	R/W	Baud prescaler select bit 1
		10	UART_CT_PRSC2	R/W	Baud prescaler select bit 2
		12	UART_CT_EN	R/W	UART enable
		13	UART_CT_RX_IRQ	R/W	Enable RX interrupt
		14	UART_CT_TX_IRQ	R/W	Enable TX interrupt
		15	UART_CT_TX_BUSY	R/-	Trasmitter busy
0xFFA2	UART_RTX	0..7	UART RX/TX data	R/W	UART Rx/Tx data
			15	UART_RTX_AVAIL	R/-

Table 18: UART regitser map

Implementation Control

By default, the UART is always synthesized. You can use the `UART_USE` generic of the processor top entity (see cut-out below) to control implementation.

```
UART_USE => true, -- implement UART? (default=true)
```

UART Baudrate

The actual transfer speed – the Baud rate – can be arbitrarily configured via the `UART_CT_BAUDx` bits in the control register. These bits define a prescaler value (**PRSC**) together with the prescaler selection bits `UART_CT_PRSCx`. The actual Baud rate of the UART interface is computed using the following formula:

$$\text{Baudrate} = \frac{f_{\text{main}} [\text{Hz}]}{\text{PRSC} \cdot \text{BAUD}}$$

The BAUD parameter can be obtained by finding the largest number for a given clock frequency and a selected prescaler, that fits into 8 bits. The following table shows different **BAUD** values for 8 common Baudrates using one of the 8 prescaler configurations. This setup assumes a clock frequency of **50MHz**. The red highlighted values are invalid, since they cannot fit into the 8-bit wide BAUD register. In contrast, the green values are valid for the according prescaler selection, but you should always use the highest possible BAUD value to minimize the Baudrate error.

Baudrate / Prescaler / BAUD Value Look-up-Table

Prescaler bits configuration:	000	001	010	011	100	101	110	111
Resulting clk prescaler <i>PRSC</i> :	2	4	8	64	128	1024	2048	4096
Baudrate = 1200	20833	10417	5208	651	326	41	20	10
Baudrate = 2400	10417	5208	2604	326	163	20	10	5
Baudrate = 4800	5208	2604	1302	163	81	10	5	3
Baudrate = 9600	2604	1302	651	81	41	5	3	1
Baudrate = 19200	1302	651	326	41	20	3	1	1
Baudrate = 28800	868	434	217	27	14	2	1	0
Baudrate = 57600	434	217	109	14	7	1	0	0
Baudrate = 115200	217	109	54	7	3	0	0	0

In this table the green highlighted numbers represent valid values for the 8-bit wide Baud value configuration (BAUD).

Example Baudrate Computation

Clock frequency: **50MHz**
Desired Baudrate: **19200**
Prescaler PRSC: **64 → 0b011**
BAUD value: **41**



Actually, you do not have to worry about the configuration of the UART Baud rate at all. A function from the `neo430_uart.h` library does all the work for you – just call it once at program start.

UART Interrupt

The UART features a single interrupt output, which can be used to indicate a *UART RX data available* status and/or *UART TX done* status. When enabling all sources at the same time, you have to check the UART control register to determine the actual causing event. Note, that this interrupt channel can also be used by the SPI or the TWI module.

Address	IRQ Vector Name	Priority	Source
0xC002	IRQVEC_SERIAL	2	UART Rx available OR UART Tx done OR SPI transmission done OR TWI transmission done

Table 19: Serial interrupt vector

2.8. Serial Peripheral Interface (SPI)

Just like the UART, the SPI master unit is a standard interface for accessing a wide variety of external devices. The data transfer quantity can either be 8 bit or 16 bit for single transfer. However, larger data 'packets' can be implemented, since the actual transferred data size is determined by the actual number of send/received bytes during an active chip select (CS) of the connected device. The unit already features 6 dedicated chip select lines, so no additional GPIO pins are required to access up to 6 slaves.

Operation

A transmission is started when writing a data byte to the `SPI_RTX` register. The `SPI_CT_BUSY` bit of the control register indicates a transfer being in progress. The received data can be obtained by reading the `SPI_RTX` register as soon as the transmission is done and the busy flag is cleared. The actual number of bits transferred during a single transmission can be configured via the `SPI_CT_SIZE` flag (0 for 8-bit transfer size, 1 for 16-bit transfer size). Note, that the resulting RX/TX data is always aligned to the LSB in the `SPI_RTX` register regardless of the actual size. The RX/TX data is shifted MSB first when the `SPI_CT_DIR` flag is cleared. Otherwise, the LSB is shifted first. The clock phase can be controlled via the `SPI_CT_CPHA` flag (clock mode "0" when cleared, clock mode "1" when set).. A "transmission done" interrupt can be activated by setting the `SPI_CT_IRQ` bit. Note, that this interrupt also triggers the same interrupt handler as the interrupt sources from the UART module and the TWI module.

Dedicated SPI Chip Select (CS) Lines

The SPI controller features eight dedicated chip select lines (signal `spi_cs_o(5 down to 0)` from the processor's top entity) so you can directly connect up to six SPI slaves to the controller without using e.g., GPIO pins as chip select signals. The six lines are accessible via the `SPI_CT_CS_SELx` bits in the SPI control register. The CS line is set low (enabled) when the according bit in the control register is set.

Implementation Control

By default, the SPI is always synthesized. You can use the `SPI_USE` generic of the processor top entity (see cut-out below) to control implementation.

```
SPI_USE => true, -- implement SPI? (default=true)
```

SPI Interrupt

The SPI features a single interrupt output, which can be used to indicate a *SPI transmission done* status. Note, that this interrupt channel can also be used by the UART or the TWI module.

Address	IRQ Vector Name	Priority	Source
0xC002	IRQVEC_SERIAL	2	UART Rx available OR UART Tx done OR SPI transmission done OR TWI transmission done

Table 20: Serial interrupt vector

Register Map

Address	Name	Bit(s) (Name)		R/W	Function
0xFFA4	SPI_CT	0	SPI_CT_CS_SEL0	R/W	Dedicated CS0 enable (low when set)
		1	SPI_CT_CS_SEL1	R/W	Dedicated CS1 enable (low when set)
		2	SPI_CT_CS_SEL2	R/W	Dedicated CS2 enable (low when set)
		3	SPI_CT_CS_SEL3	R/W	Dedicated CS3 enable (low when set)
		4	SPI_CT_CS_SEL4	R/W	Dedicated CS4 enable (low when set)
		5	SPI_CT_CS_SEL5	R/W	Dedicated CS5 enable (low when set)
		6	SPI_CT_EN	R/W	Unit enabled when set
		7	SPI_CT_CPHA	R/W	Clock phase
		8	SPI_CT_IRQ	R/W	Transmission done interrupt enable
		9	SPI_CT_PRSC0	R/W	SPI clock prescaler bit 0
		10	SPI_CT_PRSC0	R/W	SPI clock prescaler bit 1
		11	SPI_CT_PRSC0	R/W	SPI clock prescaler bit 2
		12	SPI_CT_DIR	R/W	Shift direction (0=MSB / 1=LSB first)
		13	SPI_CT_SIZE	R/W	Transfer size (0=8-bit, 1=16-bit)
		14	-	-/-	<i>Reserved, read as 0</i>
0xFFA6	SPI_RTX	0..7	RX/TX data	R/W	Send/receive data when in 8-bit mode
		8..15	-	R/-	<i>Reserved, read as zero when in 8-bit mode</i>
		0..15	RX/TX data	R/W	Send/receive data when in 16-bit mode

Table 21: SPI register map

Transmission Speed

The actual transmission speed is set via the three prescaler selection bits `SPI_CT_PRSCx` of the control register. The resulting main clock prescaler value *PRSC* is shown in the table below:

Prescaler bits configuration:	000	001	010	011	100	101	110	111
Resulting prescaler <i>PRSC</i> :	2	4	8	64	128	1024	2048	4096

Based on the **PRSC** prescaler value, the actual SPI clock frequency f_{SPI} is determined by:

$$f_{SPI} = \frac{f_{main} [Hz]}{2 \cdot PRSC}$$

Software Libraries

In the `neo430_spi.c` hardware driver library you can find elementary functions for performing SPI transmissions and for controlling the dedicated chip-select signals of the module.

2.9. Two Wire Serial Interface Master (TWI)

The two wire interface – actually called I²C – is a quite famous interface for connecting several on-board components. Since this interface only needs two signals (the serial data line SDA and the serial clock line SCL) – despite of the number of connected devices – it allows easy interconnections of several slave nodes.

This unit implements a TWI **master**, which can be used to access several slave devices. The TWI module features “**clock stretching**”, so a slow slave can halt the transmission by pulling the SCL line low. **Currently no multi-master support is available. Also, the NEO430 TWI unit cannot operate in slave mode.**

Implementation Control

By default, the TWI is always synthesized. You can use the `TWI_USE` generic of the processor top entity (see cut-out below) to control implementation.

```
TWI_USE => true, -- implement TWI? (default=true)
```

Electrical Requirements

Since the serial clock (SCL) and the serial data (SDA) lines can only be actively driven low by the master. Hence, an external pull-up resistor is required for each signal. The resistance of the pull-ups can be estimated by the following formula:

$$R_{pullup} = \frac{V_{cc} - 0.4 V}{0.003 A}$$

Operation

After the device has been enabled, the program can start / terminate a transmission by issuing a START or STOP condition. These conditions are generated by setting the according bit in the devices control register. Data is send by writing a byte to the `TWI_RTX` register. Received data can also be obtained from this register. The TWI master is busy (transmitting or performing a START or STOP condition) as long as the `TWI_CT_BUSY` bit in the control register is set. An accessed slave has to acknowledge each transferred byte. When the `TWI_CT_ACK` bit in the `TWI_RTX` register is set after a completed transmission, the accessed slave has send an acknowledge. If it is cleared after a transmission, the slave has send a not-acknowledge (NACK). The NEO430 TWI master can also send an ACK (→ a master acknowledge “MACK”) after a transmission by pulling SDA in the ACK time slot low. Set bit `TWI_CT_MACK` in the control register to activate this feature. If this bit is cleared, the ACK/NACK of the slave is sampled in this time slot (normal mode).

In summary, the following independent TWI operations can be triggered by the application program:

- send START condition (also as REPEATED START condition)
- send STOP condition
- send (at least) one byte while also sampling one byte from the bus

In the `neo430_twi.c` hardware driver library you can find elementary functions for performing TWI transmissions.

Transmission Speed Configuration

The TWI transmission speed (or the clock frequency of the SCL line) is configured via the three prescaler selection bits `TWI_CT_PRSCx` of the control register. The resulting main clock prescaler value `PRSC` is shown in the table below:

Prescaler bits configuration:	000	001	010	011	100	101	110	111
Resulting prescaler <code>PRSC</code> :	2	4	8	64	128	1024	2048	4096

Based on the `PRSC` prescaler value, the actual TWI clock frequency f_{SCL} is determined by:

$$f_{SCL} = \frac{f_{main} [Hz]}{4 \cdot PRSC}$$

Register Map

Address	Name	Bit(s) (Name)	R/W	Function	
0xFFE8	TWI_CT	0	TWI_CT_EN	R/W	Enable TWI
		1	TWI_CT_START	-/W	Generate START condition
		2	TW_CT_STOP	-/W	Generate STOP condition
		3	TWI_CT_BUSY	R/-	TWI is currently busy
		4	TWI_CT_PRSC0	R/W	Clock prescaler select bit 0
		5	TWI_CT_PRSC1	R/W	Clock prescaler select bit 1
		6	TWI_CT_PRSC2	R/W	Clock prescaler select bit 2
		7	TWI_IRQ_EN	R/W	Transmission done interrupt enable
		8	TWI_CT_MACK	R/W	Issue a master ACK after tnsmission
		9..15	-	R/-	Reserved, read as zero
0xFFEA	TWI_RTX	0..7	RX/TX data	R/W	Send/receive data
		8..14	-	R/-	Reserved, read as zero
		15	TWI_DT_ACK	R/-	Set when an ACK has been received

Table 22: TWI register map

TWI Interrupt

The TWI features a single interrupt output, which can be used to indicate a *TWI transmission done* status. Note, that this interrupt channel can also be used by the UART an/or the SPI module.

Address	IRQ Vector Name	Priority	Source
0xC002	IRQVEC_SERIAL	2	UART Rx available OR UART Tx done OR SPI transmission done OR TWI transmission done

Table 23: Serial interrupt vector

2.10. High-Precision Timer (TIMER)

A high-precision timer (VHDL component `neo430_timer.vhd`) is required by many real-time applications. The timer unit of the NEO430 features a simple but powerful module to generate an interrupt in specific time intervals. Besides selecting the main clock-based prescaler, a timer threshold can be configured to accomplish highly-accurate timing.

Implementation Control

By default, the timer is always synthesized. You can use the `TIMER_USE` generic of the processor top entity (see cut-out below) to control implementation.

```
TIMER_USE => true, -- implement timer? (default=true)
```

Timer Operation

An exact timer period is configured using the three clock select prescaler bits `TMR_CT_PRSCx` in the control register `TMR_CT` and setting a timer threshold `TMR_THRES`. Corresponding to the three prescaler selection bits, one of 8 different prescaler values can be selected:

Prescaler bits configuration:	000	001	010	011	100	101	110	111
Resulting prescaler <i>PRSC</i> :	2	4	8	64	128	1024	2048	4096

Based on the *PRSC* prescaler value and the *THRES* threshold value, the resulting interrupt “tick frequency” (reciprocal time between two interrupts) is given by:

$$f_{tick} = \frac{f_{main}}{PRSC \cdot (THRES + 1)}$$

Example

The desired tick frequency may be 2Hz at a main clock of 100MHz. Using the max. prescaler value (0b111 → *PRSC* = 4096), the threshold value is computed by:

$$THRES = \frac{f_{main}}{f_{tick} \cdot PRSC} - 1 = \frac{100000000 \text{ Hz}}{2 \text{ Hz} \cdot 4096} - 1 = 12207$$

The `neo430_timer.c` hardware driver library provides elementary functions to use the timer unit. Furthermore, it implements a function to automatically compute the prescaler bits and the threshold register based on a given tick frequency.

The timer is enabled via the `TMR_CT_EN` bit. Clearing this bit will deactivate the interrupt capability of the unit and will also clear the internal counter register (`TMR_CNT`). The timer increments the internal counter register using the specified (→ prescaler bits) frequency as soon as the `TMR_CT_RUN` bit is set. This bit can be cleared to pause the timer at any time. Whenever the internal counter reaches the value stored in the

threshold register, an interrupt request is asserted when enabled via the `TMR_CT_IRQ` bit. If the auto-reset bit `TMR_CT_ARST` is set, the counter register is cleared when the threshold value is reached and counting starts again. If not, the timer operates in one-shot mode and the user has to reset the timer counter by disabling and re-enabling the timer.

Timer Interrupt

When the `TMR_IRQ_EN` bit and the `TMR_CT_RUN` bit in the timer's control register is set, interrupt request is generated whenever a counter match occurs (`TMR_THRES == TMR_CNT`). Note, that the interrupt is only triggered once when the auto-reset of the counter is deactivated. If the timer unit has been excluded from synthesis (disabled), the timer's interrupt request signal is permanently deactivated.

Address	IRQ Vector Name	Priority	Source
0xC000	IRQVEC_TIMER	1 (highest)	The timer generates a threshold match.

Table 24: Timer interrupt vector

Register Map

Address	Name	Bit(s) (Name)	R/W	Function	
0xFFB0	TMR_CT	0	TMR_CT_EN	R/W	Timer enable
		1	TMR_CT_ARST	R/W	Automatic reset on timer match
		2	TMR_CT_IRQ	R/W	IRQ enable
		3	TMR_CT_RUN	R/W	Timer run/stop
		4	TMR_CT_PRSC0	R/W	Timer counter increment clock prescaler PRSC
		5	TMR_CT_PRSC1	R/W	
		6	TMR_CT_PRSC2	R/W	
				7..15	R/-
0xFFB2	TMR_CNT	0..15	R/-	Counter register, read-only!	
0xFFB4	TMR_THRES	0..15	-/W	Threshold register, IRQ on match	
0xFFB6	-	0..15	-/-	reserved	

Table 25: High-precision timer register map



The timer unit needs to be reset by software before you can use it. The reset is performed by writing zero to the unit's control register.

2.11. Watchdog Timer (WDT)

The WDT (VHDL component `neo430_wdt.vhd`) implements a watchdog timer. When enabled, an internal 16-bit counter is started. A program can reset this counter at any time. If the counter is not reset, a system wide hardware reset is executed when the timer overflows. The watchdog is enabled by setting the `WDT_EN` bit. Each write access to the watchdog must contain the watchdog access password (=0x47) in the upper 8 bits of the written data word. If the password is wrong and the watchdog is disabled, the access is simply ignored. If the password is wrong and the watchdog is enabled, a hardware reset is generated. A user can determine the cause of the last processor reset by reading the `WDT_RCAUSE` bit. If the bit is set, the last reset was generated by the watchdog. If the bit is cleared, the reset was generated via the external reset signal. When the watchdog caused the reset, the `WDT_RPW_FAIL` flag indicates if this reset was caused by a normal timeout ('0') or a failed access ('1') due to a wrong password. You can find elementary functions for performing watchdog operations in the `neo430_wdt.c` hardware driver library.

To control the timeout period, one can select 1 of 8 different timeout periods via the `WDT_PRSCx` bits:

CLKSELx bits configuration:	000	001	010	011	100	101	110	111
Main clock prescaler:	2	4	8	64	128	1024	2048	4096
Timeout period in main clock cycles:	131 072	262 144	524 288	4 194 304	8 388 608	67 108 864	134 217 728	268 435 456

Implementation Control

Use the `WDT_USE` generic of the processor top entity (see cut-out below) to control implementation.

```
WDT_USE => true, -- implement WDT? (default=true)
```

Register Map

Address	Name	Bit(s)	Name	R/W	Function
0xFFD8	WDT_CT	0..2	WDT_CT_PRSCx	R/W	Timeout interval selection
		3	WDT_CT_EN	R/W	Watchdog enable bit
		4	WDT_CT_RCAUSE	R/-	Cause of last processor reset (0=external reset, 1=watchdog timeout)
		5	WDT_CT_RPWFAIL	R/-	Reset caused by wrong-password access when 1
		6..7	-	R/-	Reserved, read as 0
		8..15	WDT_CT_PASSWORD	-/W	Access password, has to be 0b01000111 (0x47)

Table 26: Watchdog timer register map

2.12. System Configuration Module (SYSCONFIG)

The system information module (VHDL component `neo430_sysconfig.vhd`) gives access to various system information, which are mainly defined by the generics of the processor's top entity.

The module, which is implemented as simple ROM with eight 16-bit locations, provides information regarding the processor hardware configuration. By accessing this component, a program can determine the available RAM space, check if specific instructions or hardware modules are implemented and compute timings (like the UART Baud rate) based on the actual clock speed during run time. Also, a custom user code can be checked. Most of these parameters are set using the configuration generics of the NEO430 top entity during instantiation.

Address	Name	Bit(s) (Name)	R/W	Function	
0xFFFF0	CPUID0	0..15: HW_VERSION	R/-	Hardware version	
0xFFFF2	CPUID1 / SYS_FEATURES	0	SYS_MULDIV_EN	R/-	Set if MULDIV is implemented
		1	SYS_WB32_EN	R/-	Set if WB32 is implemented
		2	SYS_WDT_EN	R/-	Set if WDT is implemented
		3	SYS_GPIO_EN	R/-	Set if GPIO is implemented
		4	SYS_TIMER_EN	R/-	Set if TIMER is implemented
		5	SYS_UART_EN	R/-	Set if UART is implemented
		6	SYS_FREQ_GEN_EN	R/-	Set if FREQ_GEN is implemented
		7	SYS_BTLD_EN	R/-	Set if bootloader is implemented and used
		8	SYS_IROM_EN	R/-	Set if IMEM is implemented as true ROM
		9	SYS_CRC_EN	R/-	Set if CRC unit is implemented
		10	SYS_CFU_EN	R/-	Set if CFU is implemented
		11	SYS_PWM_EN	R/-	Set if PWM controller is implemented
		12	SYS_TWI_EN	R/-	Set if TWI is implemented
		13	SYS_SPI_EN	R/-	Set if SPI is implemented
		14	SYS_TRNG_EN	R/-	Set if TRNG is implemented
		15	SYS_EXIRQ_EN	R/-	Set if EXIRQ is implemented
0xFFFF4	CPUID2	0..15: USER_CODE	R/-	Custom user code, defined via top's generic	
0xFFFF6	CPUID3	0..15: IMEM_SIZE	R/-	Size of IMEM in bytes	
0xFFFF8	CPUID4 / NX_FEATURES	0	NX_DSP_MUL_EN	R/-	Set if DSPs are used for MULDIV.mul
		1	NX_XALU_EN	R/-	Set if extended ALU functions are enabled
		2	NX_LOWPOWER_EN	R/-	Set if low-power mode is synthesized
		3..15	<i>reserved</i>	R/-	<i>reserved</i>
0xFFFFA	CPUID5	0..15: DMEM_SIZE	R/-	Size of DMEM in bytes	
0xFFFFC	CPUID6	0..15: CLOCKSPPEED_LO	R/-	Low word of clock speed (in Hz)	
0xFFFFE	CPUID7	0..15: CLOCKSPPEED_HI	R/-	High word of clock speed (in Hz)	

Table 27: System information memory register map



The information provided by the system information ROM is used by the bootloader to perform a system initialization (configure Baud rate, setup the timer interval, check connectivity, ...). Furthermore, the application start-up code (`cr0.asm`) uses the system information ROM for the minimal-required hardware setup.

2.13. Multiplier and Divider Unit (MULDIV)

By default the NEO430 processor includes a *serial* multiplier and *serial* divider unit (VHDL component `neo430_muldiv.vhd`). This unit is capable of computing 16-bit unsigned integer divisions (with 16-bit quotient and 16-bit remainder) and 16×16 -bit = 32-bit signed or unsigned integer multiplications.



The multiplier part of the MULDIV unit is not compatible to the original MSP430 16-bit multiplier.

Implementation Control

In case you do not need the multiply and divide unit, you can use the `MULDIV_USE` generic of the processor top entity (see cut-out below) to control implementation.

```
MULDIV_USE => true, -- implement multiplier/divider unit? (default=true)
```

Register Map

Address	Name	Bit(s)	R/W	Function
0xFF80	MULDIV_OPA_RESX	0..15	R	Low part of multiplication result or division's quotient
			W	Operand A for all operations
0xFF82	MULDIV_OPB_UMUL_RESY	0..15	R	High part of multiplication result or division's remainder
			W	Operand B for unsigned multiplication (triggers operation)
0xFF84	MULDIV_OPB_SMUL	0..15	-/W	Operand B for signed multiplication (triggers operation)
0xFF86	MULDIV_OPB_UDIV	0..15	-/W	Operand B for unsigned division (triggers operation)

Table 28: Multiplier/divider unit register map

Operation

This unit features 4 registers, where the first 2 are write-only and the second ones are read-only. The read-only registers contain the high and the low word of the multiplication or division result. The first two register are used for operand transfer and also for function configuration. Note that the unit always has to be reset and configured before executing a new operation (see below). Register `MULDIV_OPA_CTRL` is used for resetting and configuring the unit as well as for operand A transport. Register `MULDIV_OPB` is used for storing the second operand. A write access to this second register will also trigger the actual processing. The according result (32-bit product or the remainder and the quotient) can be read from the `MULDIV_RESX` and `MULDIV_RESY` registers. The hardware itself needs 18 CPU cycles to compute the requested results. The `MULDIV`'s hardware driver library (`neo430_muldiv.c`) provides easy usage of the unit.

Using Embedded Multipliers for the Multiplier

By default, the multiplier core of the MULDIV unit is implemented using general FPGA logic. The multiplications are computed using an iterative bit-by-bit scheme. If you want to use dedicated embedded multipliers (DSP blocks) for the multiplication, activate this *advanced/experimental (NX)* option in the processor package file (`neo430_package.vhd`):

```
constant use_dsp_mul_c : boolean := false; -- use DSP blocks for MULDIV's multipl.
```

During runtime, you can check the `NX_DSP_MUL_EN` bit of the `SYSCONFIG`'s `NX_FEATURES` register to test if the MULDIV's multiplier was synthesized using DSP blocks.

Obviously, the approach using the DSP block is 16-times faster than the default iterative processing scheme. To take advantage of this speedup, the default wait states in the MULDIV's hardware driver library (`neo430_muldiv.c`) should be disabled. This can be done by adding the `NEO430_HWMUL_DSP` flag to the `CC_USER_FLAGS` variable during application compilation (add this to the variable and do not forget the “-D” prefix):

```
make clean_all compile CC_USER_FLAGS+=-DNEO430_HWMUL_DSP
```

Implicitly Invoking Multiplications



This is still quite experimental! However, using this method for compiling the CoreMark benchmark works without problems. :)

The NEO430 MULDIV unit – or to be more precise: the multiplier core itself – is not compatible to the original TI MSP430 16-bit multiplier unit. Besides a different set of provided operations, the MULDIV unit uses has a different interface and the required registers are located at different addresses.

The “simplest” way to use the multiplication functions provided by this unit is to use the functions from the MULDIV hardware driver library (`neo430_muldiv.c`). Obviously, it is easier to just write something like $A*B$ in your source code and let the compiler do all the mapping to the multiplier unit. Unfortunately, it is quite complex to re-code all the original MSP430 math libraries. **But there is a nice work around!**

The NEO430 makefile and the linker script do not use the assembly-level functions for accessing the original MSP430 peripherals (since we simply do not have these peripherals). And this is where the work around kicks in: We can provide functions for the compiler's low-level multiplication functions it tries to use when the gcc is told that a multiplier is actually available. The following compiler primitives are supported:

```
int16_t  __mulhi2(int16_t x, int16_t y);  
int32_t  __mulhisi2(int16_t x, int16_t y);  
uint32_t __umulhisi2(uint16_t x, uint16_t y);  
int32_t  __mulsi2(int32_t x, int32_t y);  
int32_t  __mulsidi2(int32_t x, int32_t y);  
uint64_t __umulsidi2(uint32_t x, uint32_t y);
```

To be able to use implicit multiplications using the MULDIV unit the `hwmult` switch in the makefile is configured for a 16-bit multiplier and the MULDIV driver library actually provides the primitive low-level multiplication functions.

How to do this? Just add the `NEO430_HWMUL_ABI_OVERRIDE` flag to the `CC_USER_FLAGS` variable when compiling your project (don't forget the “-D” prefix right before the flag):

```
$ make clean_all compile CC_USER_FLAGS+=-DNEO430_HWMUL_ABI_OVERRIDE
```

Now you can use implicit integer multiplications in your code. This option can be combined with the `NEO430_HWMUL_DSP` flag when using DSP blocks from your FPGA to further increase processing speed.



Obviously, you have to make sure the MULDIV unit was synthesized to make use of this feature.

2.14. Cyclic Redundancy Checksum Unit (CRC)

Ever been in need to verify a data stream? Then the CRC unit (VHDL component `neo430_crc.vhd`) will save your day! This unit implements a 32-bit shift register, 32-bit XOR mask and an 8-bit data input shift register allowing to compute any CRC16 or CRC32 checksum. The unit operates on chunks of 8-bit input data and can compute the programmed checksum very quickly. Furthermore, the start value of the internal computation shift register can be set in order to specify custom init values.

Implementation Control

In case you do not need the checksum computation unit, you can use the `CRC_USE` generic of the processor top entity (see cut-out below) to control implementation.

```
CRC_USE => true, -- implement CRC unit? (default=true)
```

Operation

At first, the actual polynomial must be written as according XOR mask to the `CRC_POLY_LO` and `CRC_POLY_HI` registers. If you are using a CRC16 checksum, you only need to configure the lower polynomial register. After that, you can specify an initial seed for the internal 32-bit CRC shift register (`CRC_RESX` and `CRC_RESY`). In most cases the stat value is set to zero. After the initial configuration new input data in chunks of 8-bit (so only the lowest 8 bits are used) can be written to the `CRC_CRC16IN` register for 16-bit CRC computations or to the `CRC_CRC32IN` register for 32-bit CRC computations. The final results can be obtained from the `CRC_RESX` register for 32-bit CRC computations and also from the `CRC_RESY` register for 32-bit CRC computations. The provided `neo430_crc.c` hardware driver library features some of the mostly required CRC computations functions that also allow an easy and hardware abstract handling of the CRC unit.

Register Map

Address	Name	Bit(s)	R/W	Function
0xFFC0	CRC_POLY_LO	0..15	-/W	Low 16-bit of the polynomial XOR mask
0xFFC2	CRC_POLY_HI	0..15	-/W	High 16-bit of the polynomial XOR mask
0xFFC4	CRC_CRC16IN	0..7	-/W	8-bit input data for 16-bit CRC computation + operation trigger
0xFFC6	CRC_CRC32IN	0..7	-/W	8-bit input data for 32-bit CRC computation + operation trigger
0xFFC8	-	0..15	-/-	reserved
0xFFCA	-	0..15	-/-	reserved
0xFFCC	CRC_RESX	0..15	R/W	CRC shift register (result / init value) low part
0xFFCE	CRC_RESY	0..15	R/W	CRC shift register (result / init value) high part

Table 29: CRC unit register map

2.15. Custom Functions Unit (CFU)

The custom functions unit (VHDL component `neo430_cfu.vhd`) is dedicated for user-defined processor extensions. In contrast to specific hardware accelerators connected to the Wishbone bus interface, the CFU allows the implementation of low-latency and tightly-coupled hardware extensions.

Implementation Control

In case you want to use the custom functions unit to implement user-defined hardware extensions use the `CFU_USE` generic of the processor top entity (see cut-out below) to control implementation. By default, the CFU will **NOT** be synthesized since the provided The actual CFU template does not implement any “useful” operations- it is up to you to implement them ;)

```
CFU_USE => false, -- implement custom functions unit? (default=false)
```

Operation

From a software point of view, the CFU implements 8 16-bit wide registers, that can be used for writing and reading data. These register can only be accessed using full 16-bit-word read/write transfers. The default CFU from the project’s rtl folder implements these 8 with no additional computation logic. Therefore, this CFU behaves like a simple register file.

If you want to implement a custom functions, for instance some kind of cryptography computations, the actual computations have to made based on data, which is available via one of the 8 CFU register addresses. Take a look at the other processor modules like the GPIO controller or the Timer to get an idea on how to use the register interface. Also make sure to get familiar with the CPU bus protocol, introduced at the beginning of this chapter.

Take a look at the CFU VHDL file, which also features a lot of comments and documentation.

Register Map

Address	Name	Bit(s)	R/W	Function
0xFFD0	CFU_REG0	0..15	R/W	CFU control register
0xFFD2	CFU_REG1	0..15	R/W	CFU user register 1
0xFFD4	CFU_REG2	0..15	R/W	CFU user register 2
0xFFD6	CFU_REG3	0..15	R/W	CFU user register 3
0xFFD8	CFU_REG4	0..15	R/W	CFU user register 4
0xFFDA	CFU_REG5	0..15	R/W	CFU user register 5
0xFFDC	CFU_REG6	0..15	R/W	CFU user register 6
0xFFDE	CFU_REG7	0..15	R/W	CFU user register 7

Table 30: Custom functions unit register map

2.16. Pulse Width Modulation Controller (PWM)

The PWM controller (VHDL component `neo430_pwm.vhd`) implements a pulse width modulation controller with four independent channels and up to 8-bit resolution per channel. It is based on an 8-bit counter with four programmable threshold comparators that define the actual duty cycle of each channel. The output signals are available in the processor's top entity via the `pwm_o` port. The controller can be used to drive a fancy RGB-LED with 24-bit true color, to dim LCD backlight or even for motor control. An external integrator (RC low-pass filter) can be used to smooth the generated "analog" signals.

The width of the internal counter can be either set to 4 bit or 8 bit by writing a flag in the unit's control register. By this, the resolution of the PWM module's channels is reduced but also the sampling frequency is increased. The `neo430_pwm.c` hardware driver library provides basic functions for using the PWM controller.

Implementation Control

If you do not need the processor-internal PWM controller (maybe you have attached a far more complex one to the Wishbone bus), you can exclude it from synthesis using the `PWM_USE` generic of the processor top entity (see cut-out below).

```
PWM_USE => true, -- implement PWM controller? (default=true)
```

Operation

The PWM controller is activated by setting the `PWM_CT_EN` bit in the module's control register `PWM_CT`. When this flag is cleared, the unit is reset and all output channels are set to zero.

The 8-bit duty cycle for each channel, which represents the channel's "intensity", can be specified via the according `PWM_CHxx` register. Note, that one control register is used to define the duty cycle for two channels at once, so the `PWM_CH10` register defines the duty cycle for PWM outputs 0 and 1 and the `PWM_CH23` register defines the duty cycle for PWM outputs 3 and 4.

The effective bit width of the internal PWM counter can be defined to be 4 to 8 bit wide. The width is configured via the `PWM_CT_SIZE_SEL` flag in the unit's control register. When this flag is set to zero the effective PWM counter bit width is 4 bit wide. When the flag is set the effective PWM counter bit width is 8 bit wide. This configuration is used for all four PWM channels. Note, that a small effective bit width will increase the sampling rate but will also decrease the resolution.

Based on the duty cycle `PWM_Chxx` the according analog output voltage (relative to the IO supply voltage) of each channel can be computed by the formula below.

$$Intensity_{xx} = \frac{PWM_CHxx}{2^4} \% \quad \text{for 4-bit counter width}$$
$$Intensity_{xx} = \frac{PWM_CHxx}{2^8} \% \quad \text{for 8-bit counter width}$$

The frequency of the generated PWM signals is defined by the effective counter bit width and the PWM operating frequency. This operating frequency is derived from the main system clock and divided by a prescaler via the three `PWM_CT_PRSCx` bits in the unit's control register. The following prescalers are available:

Prescaler bits configuration:	000	001	010	011	100	101	110	111
Resulting prescaler <i>PRSC</i> :	2	4	8	64	128	1024	2048	4096

The resulting PWM frequency is defined by:

$$f_{PWM} = \frac{f_{main}}{2^4 \cdot PRSC} \text{ for 4-bit counter width}$$

$$f_{PWM} = \frac{f_{main}}{2^8 \cdot PRSC} \text{ for 8-bit counter width}$$

Example

The system operates at 100MHz, the clock is divided by a prescaler of 2 (`PWM_CT_PRSCx = 0b000`) and the effective bit width is set to 4 bits (`PWM_CT_SIZE_SEL = 0`):

$$f_{PWM} = \frac{100 \text{ MHz}}{2^4 \cdot 2} = 3.125 \text{ MHz}$$

Register Map

Address	Name	Bit(s) (Name)	R/W	Function	
0xFFE0	PWM_CT	0	PWM_CT_EN	-/W	Enable (activate) PWM controller
		1	PWM_CT_PRSC0	-/W	Clock prescaler select bit 0
		2	PWM_CT_PRSC1	-/W	Clock prescaler select bit 1
		3	PWM_CT_PRSC2	-/W	Clock prescaler select bit 2
		4	PWM_CT_GPIO_PWM	-/W	Use channel 3 to modulate GPIO unit's output
		5	PWM_CT_SIZE_SEL	-/W	Counter size (1: 8bit, 0: 4bit)
		6..15: reserved		-/-	Reserved, read as zero
0xFFE2	PWM_CH10	0..7	R/W	Duty cycle for channel 0	
		8..15	R/W	Duty cycle for channel 1	
0xFFE4	PWM_CH32	0..7	R/W	Duty cycle for channel 2	
		8..15	R/w	Duty cycle for channel 3	
0xFFE6	-	0..15	-/-	Reserved, read as zero	

Table 31: PWM controller register map

PWM Modulation of the GPIO Unit's Output Port

Channel 3 of the PWM controller can alternatively be used to modulate the output port of NEO430 general purpose input/output controller (GPIO). By setting the `PWM_CT_GPIO_PWM` bit in the PWM controller's control register, output channel 3 (top entity port `pwm_o(3)`) is permanently set to zero and the according PWM signal is routed to the GPIO unit to modulate the whole output port.

For example, this feature can be used to uniquely control several LEDs via the GPIO controller while also controlling their intensity via the PWM controller.

2.17. True Random Number Generator (TRNG)

The NEO430 true random number generator (VHDL component `neo430_trng.vhd`) provides true random numbers for your application. Instead of using a pseudo RNG like a LFSR, the TRNG of the processor uses a simple, straight-forward ring oscillator as physical entropy source. Hence, voltage and thermal fluctuations are used to provide true physical random data. It features a platform independent architecture based on two papers which are cited at the bottom of the following pages.

Implementation Control

By default, the TRNG will **not** be synthesized. You can enable synthesis by using the `TRNG_USE` generic of the processor top entity (see cut-out below).

```
TRNG_USE => false, -- implement TRNG? (default=false)
```

Architecture

The NEO430 TRNG is based on the *GARO Galois Ring Oscillator TRNG¹¹*. Basically, this architecture is an asynchronous LFSR constructed from a chain of inverters. Before the output signal of one oscillator is passed to the input of the next one, the signal can be XORed with the final output signal of the inverter chain (see image below) using a switching mask (f).

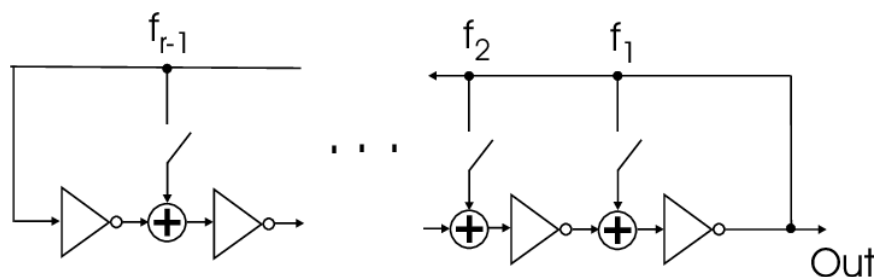


Figure 7: GARO architecture, image from: *High-Speed True Random Number Generation with Logic Gates Only*, by Markus Dichtl, Siemens. Published in: [Cryptographic Hardware and Embedded Systems - CHES 2007, 9th International Workshop, Vienna, Austria, September 10-13, 2007, Proceedings](#) (pp.45-62)

The default setup of the NEO430 TRNG uses a total of 14 inverters and a software configurable GARO tap configuration. To prevent the synthesis tool from doing logic optimization and thus, removing all but one inverter, the TRNG uses simple latches to decouple an inverter and its actual output. The latches are reset when the TRNG is disabled and are enabled one by one by a simple shift register when the TRNG is activated. By this, the TRNG provides a platform independent architecture¹² since no specific VHDL attributes are required.

11 "Enhancing the Randomness of a Combined True Random Number Generator Based on the Ring Oscillator Sampling Method" by Mięczyślav Jessa and Lukasz Matuszewski

12 "Extended Abstract: The Butterfly PUF Protecting IP on every FPGA" by Sandeep S. Kumar, Jorge Guajardo, Roel Maesyz, Geert-Jan Schrijen and Pim Tuyls, Philips Research Europe, 2008

The single-bit output signal of the GARO array is fed through flip flops to eliminate any metastability beyond this point. Afterwards, a Von-Neuman de-biasing is applied to get rid of any bias introduced by the GARO array. If the de-biasing fails, an additional cycle is required to obtain a now random sample. This process might replicate depending on the quality of the GARo oscillation.

This de-biased signal is used as input for a simple chaos machine post-processing to provide a ‘better’ uniform distribution. This chaos machine is implemented as a 12-bit LFSR. As soon as 12 valid (so no errors during the de-biasing) bits have bin sampled, the resulting data is moved to the output register and is available for fetching by the CPU bus.

Quality of the Random Numbers

I’m not a math guy, so statistical analysis is not my favorite waste of time... However, I’ll try to show some elementary statistical properties of the TRNG’s random numbers. The data used for evaluation was generated by a NEO430 setup on an Intel Cyclone IV FPGA running at 100 MHz.

The histogram in the figure below shows the relative (percentage) occurrence of all possible random data values (8-bit → 256 different values → 0 to 255) for 2 000 000 000 samples (blue boxes, “real”). For a perfect uniform distribution, each possible value would account for $\bar{x}_{perfect} = 100\% \div 256 = 0.390625\%$ with a standard deviation of $\sigma_{perfect} = 0\%$ of the total sample amount (orange line, “perfect”). The arithmetic mean of the real occurrences also sum up to $\bar{x}_{real} = 0.390625\%$ (due to the post-processing LFSR) but with a standard deviation of $\sigma_{real} = 0.00077993\%$ caused by the imperfect entropy source.

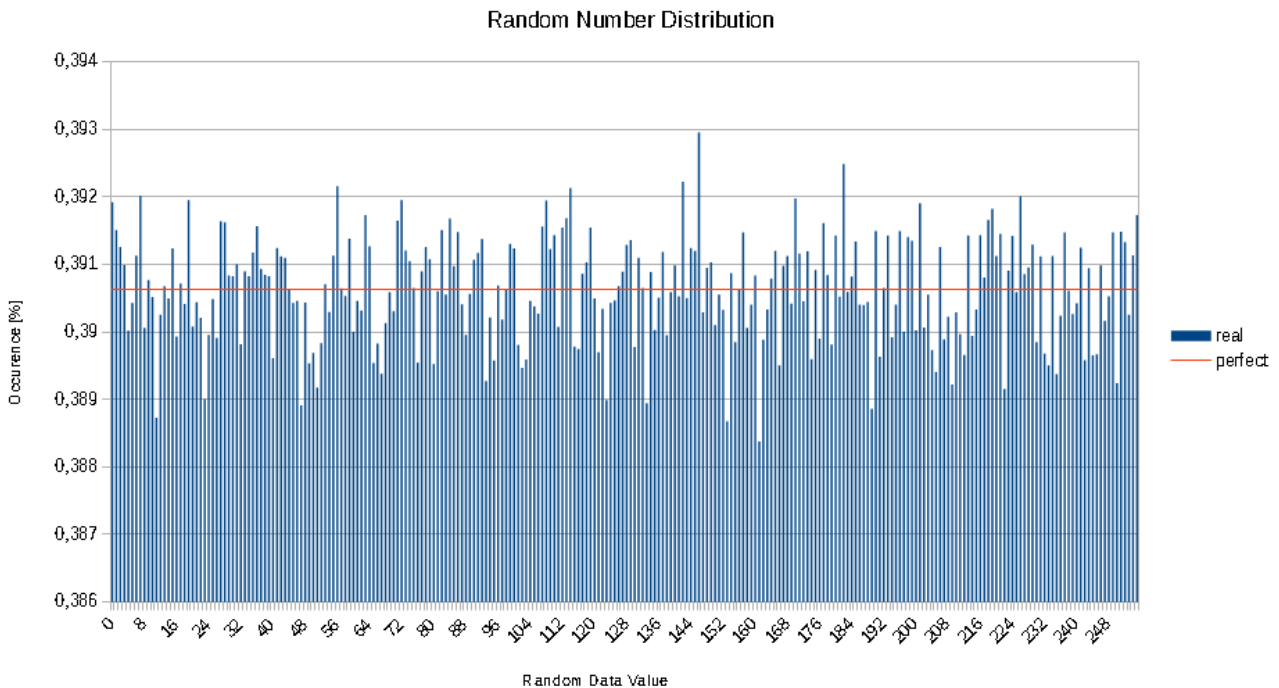


Figure 8: NEO430 TRNG relative random number distribution histogram (2 000 000 000 samples)

Operation

The TRNG features a single control register (TRNG_CT) to control operation and to read the generated random data. When the TRNG_CT_EN bit is set, the TRNG starts operation. Make sure to configure the GARO taps using the TRNG_CT_TAPx-EN bits in advance. As soon as the TRNG_CT_VALID bit is set, the current sampled 12-bit random data can be obtained from the lowest 12 bits of the unit's control register (most scenarios might only use the lowest 8 bit). Note, that the TRNG needs at least 12 clock cycles to generate a new random byte. During this sampling time the current output random data is kept in the output register until a valid sampling of the new byte has completed.

The `neo430_trng.c` hardware driver library provides basic functions for using the TRNG.

Register Map

Address	Name	Bit(s) (Name)	R/W	Function	
0xFFEC	TRNG_CT	0..11	TRNG_CT_DATAx	R/-	Random data word (read-only!)
		0..14	TRNG_CT_TAPx_EN	-/W	GARO taps configuration (write-only!)
		15	TRNG_CT_EN	R/W	Enable (activate) TRNG
		15	TRNG_CT_VALID	R/-	Current random data word is valid

Table 32: TRNG register map



I cannot guarantee the NEO430 TRNG is a cryptographically secure random number generator since I have not conducted any kind of a more sophisticated analysis. You can try to enhance the theoretical entropy by increasing the number of inverters in the GARO array. A better analysis regarding the TRNG cryptographical quality could be done by using dedicated test suites.

2.18. External Interrupts Controller (EXIRQ)

To expand the IRQ capabilities of the CPU, the processor features a controller for external interrupts (VHDL component `neo430_exirq.vhd`). This controller features eight external interrupt request lines (top entity port `ext_irq_i`) with according acknowledge signals (top entity port `ext_ack_o`). All interrupt request line trigger on high-level and can be individually activated or deactivated. Also, each interrupt channel can be triggered by software (for traps, breakpoints, software interrupts, etc.).

Triggering on Rising/Falling Edges

The EXIRQ interrupt request lines **only trigger on a high level**. If your application requires an edge sensitive trigger, you need to add an according logic to these lines. The following VHDL example shows a simple rising-edge detector for the external signal `ext_irq(0)` triggering the EXIRQ's `neo430_irq(0)` channel. Note that an additional register (`ext_irq_ff(0)`) is required as buffer for the edge detector.

```
ext_irq_ff(0) <= ext_irq(0) when rising_edge(clk); -- delay IRQ one cycle
neo430_irq(0) <= ext_irq(0) and (not ext_irq_ff(0)); -- rising-edge detector
```

Implementation Control

By default, the EXIRQ will always be synthesized. You can enable synthesis by using the `EXIRQ_USE` generic of the processor top entity (see cut-out below). Note that no external interrupts are available when this unit is disabled for synthesis (→ `ext_irq_i` and `ext_ack_o` have no function).

```
EXIRQ_USE => true, -- implement EXIRQ? (default=true)
```



When the external interrupts controller (EXIRQ) is excluded from synthesis, the CPU IRQ line triggering `IRQVEC_EXT` is directly connected to the port `ext_irq_i(0)` while all other interrupt input lines are unused. Also, only `ext_ack_o(0)` is connected.

External Interrupt

Whenever an enabled interrupt channel of the controller is triggered, the according interrupt request is brought to the CPU via the `IRQVEC_EXT` interrupt vector. So, regardless which channel is triggered, always the same interrupt handler will be started. However, the EXIRQ hardware driver library (`neo430_exirq.c`) allows to define unique handler functions for each external interrupt channel. More details are presented in the further course of this chapter.

Address	IRQ Vector Name	Priority	Source
0xC006	IRQVEC_EXT	4 (lowest)	External interrupt request

Table 33: EXIRQ interrupt vector

Operation

The EXIRQ controller features a single control register (EXIRQ_CT). The unit is globally enabled when setting the EXIRQ_CT_EN bit. If this bit is cleared during operation, all buffered interrupt requests are deleted. Each interrupt request channel features a unique enable signal (EXIRQ_CT_IRQx_EN), which activates the according channel when set.

Channel 0 (ext_irq_i(0)) has the highest priority, while channel 7 (ext_irq_i(7)) has the lowest. If several interrupt requests arise at the same time, the one with highest priority will be processed while the remaining ones are internally buffered. Note, that all interrupt request lines **trigger on high-level**.

When an interrupt is signaled to the CPU, the application program can determine which channel caused the request by reading the EXIRQ_CT_IRQ_SELx bits. A “000” indicates channel 0, a “001” channel 1 and so on. The interrupt is acknowledged by writing a 1 to the EXIRQ_CT_ACK_IRQ control register bit.

The eight channels can also be triggered by software. For that, the SW IRQ enable bit EXIRQ_CT_SW_IRQ has to be set while the EXIRQ_CT_IRQ_SELx bits define the channel to be triggered (e.g., “000” for channel 0). A software triggering is only possible when the according IRQ channel is enabled and the EXIRQ controller is activated at all.

Register Map

Address	Name	Bit(s) (Name)	R/W	Function	
0xFFEE	EXIRQ_CT	0	EXIRQ_CT_IRQ_SEL0	R/W	IRQ source bit 0 / SW IRQ select bit 0
		1	EXIRQ_CT_IRQ_SEL1	R/W	IRQ source bit 1 / SW IRQ select bit 1
		2	EXIRQ_CT_IRQ_SEL2	R/W	IRQ source bit 2 / SW IRQ select bit 2
		3	EXIRQ_CT_EN	R/W	Global unit enable bit
		4	EXIRQ_CT_SW_IRQ	-/W	Enable SW IRQ trigger, auto-clears after write
		5	EXIRQ_CT_ACK_IRQ	-/W	ACK current IRQ, auto-clears after write
		6..7	reserved	R/-	reserved, read as zero
		8	EXIRQ_CT_IRQ0_EN	R/W	Enable IRQ channel 0
		9	EXIRQ_CT_IRQ1_EN	R/W	Enable IRQ channel 1
		10	EXIRQ_CT_IRQ2_EN	R/W	Enable IRQ channel 2
		11	EXIRQ_CT_IRQ3_EN	R/W	Enable IRQ channel 3
		12	EXIRQ_CT_IRQ4_EN	R/W	Enable IRQ channel 4
		13	EXIRQ_CT_IRQ5_EN	R/W	Enable IRQ channel 5
		14	EXIRQ_CT_IRQ6_EN	R/W	Enable IRQ channel 6
		15	EXIRQ_CT_IRQ7_EN	R/W	Enable IRQ channel 7

Table 34: EXIRQ register map

Using the EXIRQ Controller in Software

The complexity of the EXIRQ controller is hidden by the `neo430_exirq.c` hardware driver library. For configuring the EXIRQ controller you only need to use the `neo430_exirq_config()` function from this library. A specific struct (`struct neo430_exirq_config`) is passed to this function that includes the actual configuration:

- `uint16_t address(8)` : A 16-bit wide and 8 entries deep array that stores the base address of the handler functions for the external interrupt channels 0 to 7.
- `uint8_t enable` : An 8-bit wide variable to enable/disable each of the interrupt channels, i.e. bit #0 enables channel 0 and its according `address(0)` and so on.

When the EXIRQ configuration function (`neo430_exirq_config`) is called, the actual configuration stored in the struct is stored to a hidden global variable. Also, an actual interrupt handler that handles the interrupt request from the EXIRQ controller is included and its base address is automatically stored to the according interrupt vector location (`IRQVEC_EXT`). Whenever the EXIRQ triggers this interrupt, this interrupt handler is started. Now, the handler reads the according source bits from the EXIRQ to determine the source IRQ channel with highest priority and **calls** the according handler function for this channel (defined by the configuration struct). Hence, the called handler for the external interrupt channels can be normal functions, as the calling interrupt handler already does all the required stack operations.

A simple example for the configuration is shown below (a complete example project for using the EXIRQ can be found in `sw\example\exirq_test`):

```
// use this predefined struct for configuring the EXIRQ controller
struct neo430_exirq_config_t exirq_config;

// initialise handler addresses
exirq_config.address[0] = (uint16_t)(&ext_irq_ch0_handler);
exirq_config.address[1] = (uint16_t)(&ext_irq_ch1_handler);
exirq_config.address[2] = (uint16_t)(&ext_irq_ch2_handler);
exirq_config.address[3] = (uint16_t)(&ext_irq_ch3_handler);
exirq_config.address[4] = 0; // set unused vectors to zero
exirq_config.address[5] = 0;
exirq_config.address[6] = 0;
exirq_config.address[7] = (uint16_t)(&ext_irq_ch7_handler);

// only enable the actually used IRQ channels
exirq_config.enable = 0b10001111;

// program configuration and activate EXIRQ controller
neo430_exirq_config(exirq_config);
neo430_exirq_enable();

// enable global interrupts
neo430_eint();

// trigger EXIRQ channel 0 IRQ by software just for fun
neo430_exirq_sw_irq(0);
```

The actual handler functions for the external interrupts should be “normal functions” - so no specific attributes like “interrupt” should be used. Also, these handler functions must not have any parameters or return values. One exemplary handler function (for channel 0) is shown below:

```
void ext_irq_ch0_handler(void) {  
    ...  
}
```



There is no need to use the “interrupt” attribute for the external interrupt channel handler functions that are called by the EXIRQ controller. All the stack handling and the correct interrupt return is already done by the actual interrupt handler which calls the external interrupts handlers.

2.19. Arbitrary Frequency Generator (FREQ_GEN)

The programmable frequency generator (VHDL component `neo430_freq_gen.vhd`) provides three independent channels capable of generating arbitrary frequencies. Each channel is driven by a number-controlled oscillator (NCO) which in terms is clocked using one out of eight clock prescalers. The generated clock signals are available in the processor's top entity via the `freq_gen_o(2 downto 0)` signal.

Implementation Control

By default, the FREQ_GEN will be synthesized. You can disable synthesis by using the `FREQ_GEN_USE` generic of the processor top entity (see cut-out below):

```
FREQ_GEN_USE => true, -- implement FREQ_GEN? (default=true)
```

Theory of Operation

The frequency generator of each channel is based on a numerically-controlled oscillator (NCO), which is basically a simple accumulator. In every new clock cycle, which is defined by the channel's prescaler selector, the so-called tuning word (TW) is added to the accumulator. The tuning word is 16-bit wide and the accumulator is 17-bit wide. The most significant bit of the accumulator represents the actual channel output.

The "update clock" of each channel's NCO is defined by one of eight prescaler configuration. The prescaler (PRSC) is applied to the main processor clock (f_{CPU}). The following prescaler selections / prescalers are available:

Prescaler bits configuration:	000	001	010	011	100	101	110	111
Resulting prescaler <i>PRSC</i> :	2	4	8	64	128	1024	2048	4096

The actual prescaler selection for each channel's prescaler $PRSC(ch)$ is configured via the `FREQ_GEN_CT_CHx_PRSC2` downto `FREQ_GEN_CT_CHx_PRSC0` bits in the units control register `FREQ_GEN_CT`. The tuning word TW is defined via the `FREQ_GEN_TW_CHx` registers.

The resulting output frequency f_{out} of channel ch can be calculated via the following formula:

$$f_{out}(ch) = \frac{f_{cpu} \cdot TW(ch)}{PRSC(ch) \cdot 2^{17}} \quad \text{for channels } ch = 0, 1, 2$$

f_{cpu} Processor clock frequency
 $TW(ch)$ Tuning word of channel ch
 $PRSC(ch)$ Prescaler of channel ch

Each channel has a unique NCO enable flag in the control register (`FREQ_GEN_CT_Chx_EN`). When this flag is cleared, the output of the according channel goes low and the channel's NCO accumulator is cleared.

Register Map

Address	Name	Bit(s) (Name)		R/W	Function
0xFF88	FREQ_GEN_CT	0	FREQ_GEN_CT_CH0_EN	R/W	Enable channel 0
		1	FREQ_GEN_CT_CH1_EN	R/W	Enable channel 1
		2	FREQ_GEN_CT_CH2_EN	R/W	Enable channel 2
		3	FREQ_GEN_CT_CH0_PRSC0	R/W	Clock prescaler select for channel 0
		4	FREQ_GEN_CT_CH0_PRSC1	R/W	
		5	FREQ_GEN_CT_CH0_PRSC2	R/W	
		6	FREQ_GEN_CT_CH1_PRSC0	R/W	Clock prescaler select for channel 1
		7	FREQ_GEN_CT_CH1_PRSC1	R/W	
		8	FREQ_GEN_CT_CH1_PRSC2	R/W	
		9	FREQ_GEN_CT_CH2_PRSC0	R/W	Clock prescaler select for channel 2
		10	FREQ_GEN_CT_CH2_PRSC1	R/W	
		11	FREQ_GEN_CT_CH2_PRSC2	R/W	
				12..15	
0xFF8A	FREQ_GEN_TW_CH0	0..15		-/W	Channel 0 tuning word
0xFF8C	FREQ_GEN_TW_CH1	0..15		-/W	Channel 1 tuning word
0xFF8E	FREQ_GEN_TW_CH2	0..15		-/W	Channel 2 tuning word

Table 35: Frequency Generator register map

Software Driver

The `neo430_freq_gen.c` hardware driver provides elementary functions for using the frequency generator. This library also provides a more or less complex function, which configures a channel (prescaler and tuning word) for a given frequency.

Output Frequency Accuracy

The NCO architecture is based on integer operations triggered by the main processor clock. Hence, quantization errors will occur. The output frequency is based on the formula given above. However, in some cases this formula only defines the “average output frequency”. The actual output frequency might be a combination of two base frequencies closely below and above the target frequency. In this case, the output duty cycle is not exactly 50%.

3. Software Architecture

Software development for the NEO430 is based on the freely-available **TI msp430-gcc compiler toolchain**, which can be downloaded from (use the “compiler only” package):

http://software-dl.ti.com/msp430/msp430_public_sw/mcu/msp430/MSPGCC/latest/index_FDS.html

With the compiler tool chain, you can turn your C/C++ programs into an NEO430 executable. Generating an executable is done in several consecutive steps (all done by the provided compilation scripts):

1. The application start-up code (*crt0.asm*) is assembled into an object file. This start-up codes is responsible for the minimal required hardware initialization.
2. The actual application program is compiled together with all included files and libraries. The code is optimized for size (**-Os**) by default. If required, all library functions are also compiled.
3. In the next step, all generated object files are linked together using the special NEO430 linker script (*neo430_linker_script.x*). This specific linker script generates a final object file, that already represents the actual memory layout of the NEO430. Also, an ASM listing file is generated (*main.s*) for debugging.
4. The final program object file is generated.
5. In the last step, the program image is converted into a NEO430 executable (*main.bin*) binary. This file can be uploaded and executed by the NEO430 bootloader. Additionally, an executable VHDL memory initialization image for the IMEM is generated and directly installed into the *neo430_application_image.vhd* file – no manual copy required. This is only relevant if the instruction memory is configured as true ROM.

The last step is done by a small C program, which is located in the *sw/tools/image_gen* folder. It is automatically compiled when you are using the NEO430 toolchain for the first time.



The size of the final executable, which is printed in your console by the make script, only represents the size of the executable image. Additional RAM is required for allocating dynamic memory for the stack and the head (actual size depends on the application program).

3.1. Executable Program Image

As the last step of the program compilation flow, the NEO430 executables are generated. The binary version can be uploaded to the processor to be executed directly and/or programmed into an external flash SPI. The executable VHDL IMEM memory initialization data is directly inserted into the processor's IMEM image VHDL file. The compilation script uses a specific linker script to generate the final image:

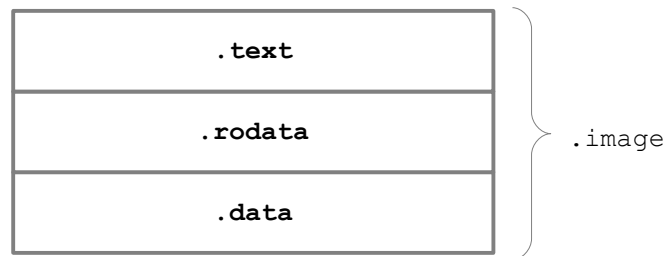


Figure 9: Construction of the final program image

3.1.1. Image Sections

The final executable image consists of the following three sections:

- `.text` Executable instructions, including start-up, application and termination code
- `.rodata` Read-only data (constants like strings)
- `.data` Pre-initialized variables (will be copied into RAM during start-up)

3.1.2. Dynamic Memory

The remaining memory – the memory after the `.data` section until the end of the RAM – is used for the dynamic data during run time. This data includes the stack and the heap. The stack grows from the end of the memory down to the end of the `.data` section. The heap grows from the end of the `.data` section up to the end of the memory. Make sure there is no collision between the heap and the stack when using dynamic memory allocation!

3.1.3. Application Start-Up Code

During the linking process, the application start-up code `crt0.asm` is placed right before the actual application. The resulting code represents the applications `.text` segment and thus, the final executable. The start-up code implements a basic system initialization:

- Setup the stack-pointer according to the memory size configuration from the `CPUID` registers
- Set all IO device registers to `0x0000`
- Clear complete DMEM, including `.bss` segment and the interrupt vectors, copy the `.data` section from IMEM to DMEM
- Initialize all CPU data registers
- Call the application's main function
- If the main function returns, the watchdog timer is deactivated, interrupts are disabled and the CPU is set to eternal sleep mode

3.1.4. Executable Image Formats

The auxiliary image generator program (`sw\tools\image_gen`) is used to either create an executable binary or an executable VHDL memory initialization image. The actual conversion target is given by the first argument when executing the image generator. Valid target options are listed below. The second argument determines the input file and the third argument specifies the output file.

- app_bin** Generates an executable binary “main.bin” (for UART uploading via the bootloader) in the project’s folder (including a header!!!)
- app_img** Generates an executable VHDL memory initialization image for the IMEM. This function is meant to generate the “neo430_application_image.vhd” file.
- bld_img** Generates an executable VHDL memory initialization image for the BOOT ROM. This function is meant to generate the “neo430_bootloader_image.vhd” file.

There is a special thing about the binary executable format: This executable version has a very small header consisting of three 16-bit words located right at the beginning of the file. The first word (**red**) is the signature word and is always **0xCAFE**. Based on this word, the bootloader can identify a valid image file. The next word (**green**) represents the size in bytes of the program image (so this value is always 6 bytes less than the actual file size). A simple XOR checksum of the program data is given by the third word (**blue**). This checksum is computed by XOR-ing all program data words (no header data!) of the program image. Below you can see an exemplary binary executable.

```
CA FE 01 7A 19 59 43 03 42 18 FF E8 42 19 FF EA 58 09 43 02 49 01 83 21 43 82 FF
9E 43 82 FF A6 43 82 FF B4 43 82 FF B2 43 82 FF C4 40 B2 47 00 FF D0 98 09 24 04
43 88 00 00 53 28 3F FA 40 35 01 7A 40 36 01 7A 40 37 80 00 95 06 24 04 45 B7 00
00 53 27 3F FA 43 04 43 05 43 06 43 07 43 08 43 09 43 0A 43 0B 43 0C 43 0D 43 0E
43 0F 12 B0 00 72 43 02 D0 32 00 10 42 1F FF EE 42 1B FF EC 43 0C 43 0D 4F 0D 4B
0E 43 0F DE 0C DF 0D 3C 04 50 3C 6A 00 63 3D 53 1F 93 1D 2F FA 90 3C 96 00 2F F7
43 4E 3C 0E 93 6E 24 02 92 6E 20 07 C3 12 10 0F C3 12 10 0F C3 12 10 0F C3 12 10 0F C3
12 10 0F 53 5E 90 3F 01 00 2F EF 4E 4E 10 8E DF 0E 4E 82 FF A4 40 B2 FE 81 FF A6
40 3F 01 3E 12 B0 01 16 B2 B2 FF E2 20 07 40 3F 01 5A 12 B0 01 16 43 1F 40 30 01
14 43 82 FF B2 43 0F 4F 0E F0 3E 00 FF 53 1F 4E 82 FF B2 40 3E 00 0B 3C 04 43 3D
43 03 53 3D 23 FD 53 3E 23 FA 3F F0 41 30 3C 0F 90 7E 00 0A 20 06 B2 B2 FF A6 23
FD 40 B2 00 0D FF A2 B2 B2 FF A6 23 FD 11 8E 4E 82 FF A2 4F 7E 93 4E 23 EE 41 30
42 0A 69 6C 6B 6E 6E 69 20 67 45 4C 20 44 65 64 6F 6D 70 20 6F 72 72 67 6D 61 00
0A 72 45 6F 72 21 72 4E 20 20 6F 49 50 20 4F 6E 75 74 69 73 20 6E 79 68 74 73 65
7A 69 64 65 00 21
```

Hex-view of an executable binary image including colored header

3.2. Internal Bootloader



The bootloader requires at least the **TIMER** and the **UART** units to be included into the design! The **GPIO** unit is optional since it is just used for status indication. The **SPI** unit is only required, if you want to use an external SPI flash for automatic application booting.



When the bootloader is implemented (enabled via the `BOOTLD_USE` generic) the **IMEM** is not initialized by the bitstream at all. This allows a mapping of the **IMEM** to memory primitives, that do not support initialization during bitstream upload.

The included bootloader of the NEO430 processor allows you to upload new program images at every time. If you have an external SPI flash connected to the processor (for example the FPGA configuration memory), you can store the program image to it and the system can directly boot it after reset without any user interaction. But we will talk about that later...

To interact with the bootloader, attach the UART signals of the processor via a COM port (-adapter) to a computer, configure your terminal program using the following settings and perform a reset of the processor.

Terminal console settings (19200-8-N-1):

- **19200** Baud
- **8** data bits
- **No** parity bit
- **1** stop bit
- Newline on “\r\n” (carriage return, newline)
- **No** transfer protocol for sending data, just the raw byte stuff

The bootloader uses bit #0 of the GPIO output port as high-active status LED (all other outputs are set to low level by the bootloader). After reset, this LED will start blinking at ~2Hz and the following intro screen should show up in your terminal. This start-up screen also gives some brief information about the bootloader version and several system parameters (all in hexadecimal representation, except for the bootloader version):

```
NEO430 Bootloader

BLV: Feb 10 2020           → Bootloader version (compile date)
HWV: 0x0340               → Hardware version
USR: 0x1ce4               → User code defined via the USER_CODE generic of the top entity
CLK: 0x0134Fd90          → Clock speed in Hz
ROM: 0x8000               → Size of internal IMEM in bytes
RAM: 0x3000               → Size of internal DMEM in bytes
SYS: 0x74bd               → System configuration (SYSCONFIG)

Autoboot in 4s. Press key to abort.
```

NEO430 bootloader start-up screen

Now you have 4 seconds to press any key. Otherwise, the bootloader starts the auto boot sequence (see next chapter). When you press any key within the 4 seconds, the actual bootloader user console starts:

```
NEO430 Bootloader

BLV: Feb 10 2020
HWV: 0x0340
USR: 0x1ce4
CLK: 0x0134fd90
ROM: 0x8000
RAM: 0x3000
SYS: 0x74bd

Autoboot in 4s. Press key to abort.

CMDs:
h: Help
r: Restart
u: Upload
p: Program
e: Execute
CMD:>
```

NEO430 bootloader console

The auto-boot countdown is stopped and now you can enter a command from the list to perform the corresponding operation:

- **h**: Show the help text (again)
- **r**: Restart the bootloader
- **u**: Upload new program executable image (**raw** *.bin file) via UART into the IMEM
- **p**: Write the complete IMEM content as boot image to the SPI flash (at SPI.CS0)
- **e**: Start the application, which is currently stored in IMEM

A new program is uploaded to the NEO430 by using the **upload** function. The compile scripts of this project generate a compatible binary executable (*.bin format), which must be transmitted by your terminal program without using any kind of protocol – just raw data. When the image is completely uploaded, it resides in the IMEM and you can start executing it using the **execute** option.

The complete content of the IMEM can be stored to an external SPI flash by using the **program** command (the programming can take some time). The bootloader will try to load this image from the SPI flash at start up during the autoboot sequence and automatically launches it.



More information about using an external SPI flash for booting can be found in chapter [4.6. External SPI Boot Flash](#).

3.2.1. Auto Boot Sequence

When you reset the NEO430 processor, the bootloader waits 4 seconds for a console user input before it starts the automatic boot sequence. This sequence tries to fetch a valid boot image from the external SPI flash, connected to SPI chip select bit #0. If a valid boot image is found and can be successfully transferred into the internal IMEM, it is automatically started. If no SPI flash was detected or if there was no valid boot image found, the bootloader stalls and the status LED is permanently activated.

3.2.2. Error Codes

If something goes wrong during the bootloader operation, an error code is shown. In this case, the processor stalls, a bell command and one of the following error codes is send to the terminal, the status LED is permanently activated and the system must be manually reset.

- **ERR_00**: This error occurs if the attached SPI flash cannot be accessed during write transfers. Make sure you have the right type of flash and that it is connected properly to the NEO430's SPI port at chip select #0 (CS0).
- **ERR_01**: If you have implemented the IMEM as true ROM (so it cannot be written) this error pops up when trying to install a new application image (e.g. via the UART). Set the `IMEM_AS_ROM` configuration generic of the processor top entity to 'false' to implement the IMEM as writable RAM.
- **ERR_02**: If you try to transfer an invalid executable (via UART or from the external SPI flash), this error message shows up. Also, if no SPI flash was found during a boot attempt, this message will be displayed.
- **ERR_04**: Your program is way too big for the internal IMEM. Increase the IMEM size of your NEO430 project or reduce your application code.
- **ERR_08**: This indicates a checksum error. Something went wrong during the transfer of the program image (upload via UART or loading it from the external SPI flash). If the error was caused by a UART upload, just try it again. When the error was generated during a flash access, the stored image might be corrupted.

3.3. Software Libraries

The NEO430 project provides a set of C libraries that allow an easy usage of all of the core's peripheral and CPU features. All you need to do is to include the main NEO430 library file in your application's main C file. The main library file as well as all sub-libraries are located in `sw/lib/neo430` and are automatically added by the makefile to the include path.

```
#include <neo430.h>
```

This main include file will automatically include all driver libraries (e.g. the drivers for the UART). The following list shows all the included driver libraries, which are located in the `sw/lib/neo430/include` folder. The according source files are located in `sw/lib/neo430/source`. Take a look at the according library file when you want to use the according hardware unit – you will find a rich set of handy functions :)

Library file	HW module
neo430.h	All (mandatory for all other libraries)
neo430_cpu.h / .c	CPU
neo430_crc.h / .c	Cyclic redundancy check unit (CRC)
neo430_exirq.h / .c	External interrupts controller (EXIRQ)
neo430_freq_gen.h / .c	Programmable frequency generator (FREQ_GEN)
neo430_gpio.h / .c	General purpose input/output unit (GPIO)
neo430_muldiv.h / .c	Multiplier/divider unit (MULDIV)
neo430_pwm.h / .c	Pulse-width modulation unit (PWM)
neo430_spi.h / .c	Serial peripheral interface (SPI)
neo430_timer.h / .c	High-precision timer (TIMER)
neo430_trng.h / .c	True random number generator (TRNG)
neo430_twi.h / .c	Two wire serial interface (TWI)
neo430_uart.h / .c	Universal asynchronous receiver and transmitter (UART)
neo430_wdt.h / .c	Watchdog timer unit (WDT)
neo430_wishbone.h / .c	Wishbone bus interface unit (WB32)

Table 36: NEO430 software library files



The NEO430 software library provides driver functions for the CPU and all peripheral devices. Check the `sw\lib\neo430\source` folder – each driver library is highly commented to explain how to use all the provided functions.

3.4. NEO430 Application Makefile

A software project for the NEO430 is built using a custom makefile. Hence, each (example) project folder in `sw\example` consists at least of one source code file (e.g., `main.c`) and the makefile itself. When creating a new project, copy this makefile to your new project folder. I suggest to create new projects also in `sw\example` to keep the file dependencies. Of course, these dependencies can be manually configured when your project is located somewhere else.



The NEO430 makefile was tested on a native Linux, on the Linux subsystem for Windows, on Windows Powershell and cygwin.

Before you can use the makefiles, you need to download and install the `msp430-gcc` toolchain. Also, you have to add the installation folder of the compiler to your system's `PATH` variable. More information can be found in chapter [4. Let's Get It Started!](#).

The makefile is invoked by simply executing `make` in your console:

```
.../sw/example/blink_led$ make
```

Just executing `make` will show the help menu showing all available targets:

```
NEO430 Application Compilation Script
Make sure to add the msp430-gcc bin folder to your system's PATH variable.
Targets:
help      - show this text
check     - check toolchain
info      - show makefile configuration
compile   - compile and generate *.bin executable for upload via bootloader
install   - compile, generate and install VHDL boot image
all       - compile and generate *.bin executable for upload via bootloader and
           generate and install VHDL boot image
clean     - clean up project
clean_all - clean up project, core libraries and helper tools
CC_USER_FLAGS (usage example: CC_USER_FLAGS+=-DNEO430_HWMUL_ABI_OVERRIDE)
NEO430_HWMUL_ABI_OVERRIDE - implicit usage of MULDIV.mul unit (make sure it is
                           synthesized)
NEO430_HWMUL_DSP          - use embedded multiplier for MULDIV.mul unit (make also sure
                           this option is synthesized)
```

If your software project is not located in the NEO430's default `sw\example` folder, you need to specify the path (relative or absolute) to the NEO430 home folder (the base folder of the NEO430 project, where the `rtl`, `sw`, `sim`, ... folders are located):

```
.../sw/example/blink_led$ make NEO430_HOME=path_to_neo430_home_folder
```


3.4.1. Targets

This is a short explanation of the available targets of the application makefile.

Target	Description
help	Show the help menu, which gives a short description of all available targets. This is also the fall-back when make is invoked without any targets.
check	This check option checks the correct installation of the msp430-gcc toolchain by executing each required program (compiler, linker, assembler, ...). Also, this targets check for the correct configuration of the NEO430 home folder.
info	Shows the current configuration of all makefile-relevant variables.
compile	Compile the sources files and generate assembly listing file for debugging and executable file (*.bin) for upload via the bootloader.
install	Just like ‘compile’, but this target will also install the compiled application to the IMEM, so it can be directly booted (when the bootloader is disabled).
clean	Delete all generated files in the current project.
clean_all	Clean all generated files includind compiled libraries and auxiliary programs.

Table 37: NEO430 processor-specific makefile flags

3.4.2. NEO430-Specific Flags

The makefiles provide custom flags to optimize the compilation for a specific hardware configuration of the NEO430 processor. The following flags are available:

Flag	Function
NEO430_HWMUL_ABI_OVERRIDE	Implicit multiplications in the source code will be mapped (via compiler primitives) to the NEO430 MULDIV’s multiplier. Only use this flag when the MULDIV unit is synthesized. See chapter 2.13. Multiplier and Divider Unit (MULDIV) for more information.
NEO430_HWMUL_DSP	This flag assumes the MULDIV’s multiplier core is built from DSP blocks. Therefore, flag will eliminate the required wait states for the default serial multiplier. Only use this flag when the MULDIV unit is synthesized and the use_dsp_mul_c advanced/experimental (NX) flag in the processor VHDL package file is enabled. See chapter 2.13. Multiplier and Divider Unit (MULDIV) for more information.

Table 38: NEO430 processor-specific makefile flags

To use a flag, it has to be appended to the **CC_USER_FLAGS** variable when involving make. Also, you have to use the ‘-D’ prefix to make this variable also available as “define” for the source files:

```
$ make clean_all compile CC_USER_FLAGS+=-DNEO430_HWMUL_ABI_OVERRIDE
```

4. Let's Get It Started!

To make your NEO430 project run, follow the guides from the upcoming sections. There are several guides for the application compilation and all details of the project.

4.1. General Hardware Setup

Follow these steps to build the FPGA hardware of your NEO430 project. In this tutorial, we will use a test implementation of the processor – using most of the processor's optional modules but just propagating the minimal signals to the outer world. Hence, this guide is intended as evaluation project to check out the NEO430. A little note: The order of the following steps might be a little different for your specific EDA tool.

1. Create a new project with your FPGA EDA tool of choice (Xilinx Vivado, Intel Quartus, Lattice Diamond/Radiant, ...).
2. Add all VHDL files from the project's `rtl/core` folder to your project. Make sure to *reference* the files only – do not copy them.
3. Make sure to add all the rtl files to a new **library** called “**neo430**”.
4. The `neo430_top.vhd` file is the top entity of the NEO430 processor. If you already have a design, instantiate this unit into your design and proceed. If you do not have a design yet and just want to check out the NEO430 – no problem! Use the `neo430_test.vhd` file from the `rtl/top_templates` folder as top entity. Of course, you also need to add this file to your project. This tutorial assumes to use [this test entity](#) as top entity, but the basic steps are the same when using the core itself as part of your project.
5. The configuration of the NEO430 processor is done using the generics of the instantiated processor top entity (here, done in the `neo430_test.vhd` file). Let's keep things simple at first and use the default configuration (see below). But there is one generic, that has to be set according to your FPGA / board: The clock frequency of the top's clock input signal (`clk_i`). Use the `CLOCK_SPEED` generic to specify your clock source's frequency in Hertz (Hz). The default value, that you need to adapt, is marked in **red**:

```
neo430_top_test_inst: neo430_top
generic map (
  -- general configuration --
  CLOCK_SPEED => 100000000, -- main clock in Hz
  IMEM_SIZE   => 4*1024,    -- internal IMEM size in bytes, max 48kB (default=4kB)
  DMEM_SIZE   => 2*1024,    -- internal DMEM size in bytes, max 12kB (default=2kB)
  -- additional configuration --
  USER_CODE   => x"4788",   -- custom user code
  -- module configuration --
  MULDIV_USE  => true,     -- implement multiplier/divider unit? (default=true)
  WB32_USE    => true,     -- implement WB32 unit? (default=true)
  WDT_USE     => true,     -- implement WDT? (default=true)
  GPIO_USE    => true,     -- implement GPIO unit? (default=true)
  TIMER_USE   => true,     -- implement timer? (default=true)
  UART_USE    => true,     -- implement UART? (default=true)
  CRC_USE     => true,     -- implement CRC unit? (default=true)
  CFU_USE     => false,    -- implement custom functions unit? (default=false)
  PWM_USE     => true,     -- implement PWM controller? (default=true)
  TWI_USE     => true,     -- implement two wire serial interface? (default=true)
  SPI_USE     => true,     -- implement serial peripheral interface? (default=true)
  TRNG_USE    => false,    -- implement true random number generator? (default=false)
  EXIRQ_USE   => true,     -- implement external interrupts controller? (default=true)
  FREQ_GEN_USE => true,    -- implement arbitrary frequency generator? (default=true)
  -- boot configuration --
  BOOTLD_USE  => true,     -- implement and use bootloader? (default=true)
  IMEM_AS_ROM => false    -- implement IMEM as read-only memory? (default=false)
)
```

6. If you feel like it – or if your FPGA does not provide enough resources – you can modify the memory sizes (IMEM and DMEM) or exclude certain modules from implementation. But as mentioned above, let's keep things simple and use the standard configuration for now. We will come back to the customization of all those configuration generics in later chapters.
7. Depending on your FPGA tool of choice, it is time now (or later?) to assign the signals of the test setup top entity to the according pins of your FPGA board. All the signals can be found in the entity:

```
entity neo430_test is
  port (
    -- global control --
    clk_i      : in  std_ulogic; -- global clock, rising edge
    rst_i      : in  std_ulogic; -- global reset, async, LOW-active
    -- gpio --
    gpio_o     : out std_ulogic_vector(07 downto 0); -- parallel output
    -- serial com --
    uart_txd_o : out std_ulogic; -- UART send data
    uart_rxd_i : in  std_ulogic  -- UART receive data
  );
end neo430_test;
```

8. Attach the clock input to your clock source and connect the reset line to a button of your FPGA board. Check whether it is low-active or high-active – the reset signal of the processor must be **low-active**, so maybe you need to invert the input signal. If possible, connected at least bit #0 of the GPIO output port to a high-active LED (invert the signal when your LEDs are low-active). Finally, connect the UART signals to your serial host interface (dedicated pins, USB-to-serial converter, etc.). The final test setup is illustrated in the figure below.

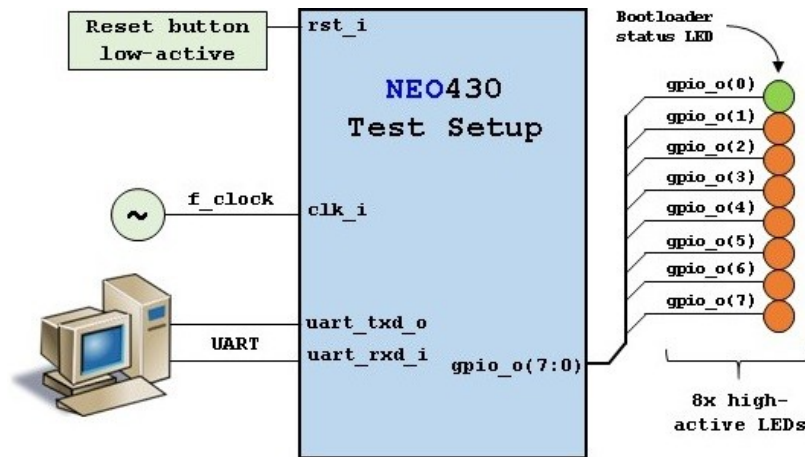


Figure 10: External hardware configuration of the NEO430 test implementation (*neo430_test.vhd*)

9. Perform the project HDL compilation (synthesis, mapping, bitstream generation).
10. Download the generated bitstream into your FPGA (“program” it) and press the reset button (just to make sure everything is sync).
11. Done! If you have assigned the bootloader status LED (bit #0 of the GPIO output port), it should be flashing now and you should receive the bootloader start prompt via the UART.

4.2. General Software Setup

So, the hardware thing is done. Now it is time to prepare the general part of the software flow.

1. At first, download the latest version of the **TI msp430-gcc compiler tool chain**. Make sure to download the Windows version when using the Windows Powershell. Download the Linux version when you are using the Windows Bash Subsystem or a native Linux system. You can download the compiler without registration (select the “compiler only” package) from http://software-dl.ti.com/msp430/msp430_public_sw/mcu/msp430/MSPGCC/latest/index_FDS.html.
2. Extract/install all files into a folder somewhere in your file system. Remember where you have installed the compiler, since this will be important for the setup of compilation scripts in the next chapter(s).
3. **Changing Memory Sizes:** You need to tell the linker the size of the internal RAM (the data memory, “DMEM”, `DMEM_SIZE` generic) and the internal ROM (instruction memory, “IMEM”, `IMEM_SIZE` generic) of the NEO430 (you defined that during the previous tutorial). Open the `neo430_linker_script.x` in the `sw/common` folder with a text editor and set the parameter `LENGTH` of the ROM memory section according to the previously configured `IMEM_SIZE` generic and the RAM memory section according to the previously configured `DMEM_SIZE` generic (hexadecimal representation!). The cut-out below shows the default configuration – if you have not changed the memory sizes before you can keep everything in its current state and proceed.

```
MEMORY
{
  rom (rx) : ORIGIN = 0x0000, LENGTH = 0x1000
  ram (rw) : ORIGIN = 0xC008, LENGTH = 0x0800 - 8
}
```

(Only edit the values marked in red!)



Make sure you **do not** delete the “-8” right after the length of the RAM! This subtraction is required due to the interrupt vectors, which are located at the beginning of the DMEM. Additionally, the origin of the DMEM is set to `0xC008` for the compiler so it does not use the first 8 bytes at all. Of course, the “real” base address of the data memory module is still `0xC000`.



Every time you change the hardware configuration of the IMEM and/or DMEM you need to do the same modifications in the linker script file.

4. Make sure to have a **native CCC compiler** installed. The native GCC is required to compile the image generator helper tool. Furthermore, **GNU Make** is required. When using the **Windows Powershell you can use MinGW** to get GCC and GNU Make. Make sure all these tools are up-to-date.
5. You can check the correct installation of the toolchain and the correct configuration of the makefile:

```
.../sw/example/blink_led$ make check
```

4.3. Application Program Compilation using Windows Powershell

Use this guide if you want to compile programs using the **Windows Powershell**.

1. Double-check you have downloaded and installed the Windows version of the TI MSP430GCC compiler.
2. Now open a Windows Powershell console. Just hit the Windows key, type “Powershell” and press enter.
3. Next we need to add the MSP430-gcc compiler binaries to the system’s **PATH environment variable** so the makefiles can actually use all the compiler tools. In the following example the binary compiler sources are located in the folder `C:\msp430-gcc-8.3.0.16_win64\bin`. Make sure to use the **absolute** path here.

```
PS c:\> $env:PATH="$env:PATH;C:\msp430-gcc-8.3.0.16_win64\bin"
```

4. This environment variable is only modified for the current console session. After closing and re-opening the console you need to assign the variable again.
5. That’s all for now! Now you can start compiling programs. At first, we will begin with a simple example program. Navigate with your console to the `blink_led` folder in the project's software examples folder: `sw\example`
6. Execute the actual compilation `make` script in the current example folder to see all provided targets:

```
.../sw/example/blink_led$ make
NEO430 Application Compilation Script
Make sure to add the msp430-gcc bin folder to your system's PATH variable.
Targets:
help      - show this text
check     - check toolchain
info      - show makefile configuration
compile   - compile and generate *.bin executable for upload via bootloader
install   - compile, generate and install VHDL boot image
all       - compile and generate *.bin executable for upload via bootloader and
           generate and install VHDL boot image
clean     - clean up project
clean_all - clean up project, core libraries and helper tools
```

7. Execute a “**make clean_all all**”. If an error regarding the `msp430-elf-objdump` appears, simply execute “**make all**” again (I’m working on this...). See the following tutorial for more information regarding the available targets.
8. That’s all, you have just compiled your first application.

4.4. Application Program Compilation using the Windows Bash Subsystem or a Native Linux System

Use this guide if you want to compile programs using the **Windows Subsystem for Linux** or native **Linux**.

1. Double-check you have downloaded and installed the Linux version of the TI MSP430GCC compiler.
2. Open a terminal console. When using the Windows Subsystem for Linux you can do this by executing “bash” in a normal CMD console.
3. Next we need to add the MSP430-gcc compiler binaries to the system’s **PATH environment variable** so the makefiles can actually use all the compiler tools. In the following example (Windows Bash) the binary compiler sources are located in the folder `/mnt/c/msp430-gcc-8.3.0.16_linux64/bin`. Make sure to use the **absolute** path here.

```
§ export PATH=$PATH:/mnt/c/msp430-gcc-8.3.0.16_linux64/bin
```

4. This environment variable is only set for the current console session. After closing and re-opening the console you need to assign the variable again. Alternatively, you can add this command to your `bashrc`. By this, the environment variable is automatically configured when opening a new console.
5. That’s all for now! Now you can start compiling programs. At first, we will begin with a simple example program. Open a terminal and navigate to the `blink_led` folder in the project's software examples folder: `sw/example`
6. Execute the actual compilation `make` script in the current example folder to see all provided targets:

```
.../sw/example/blink_led$ make
NEO430 Application Compilation Script
Make sure to add the msp430-gcc bin folder to your system's PATH variable.
Targets:
help      - show this text
check     - check toolchain
info      - show makefile configuration
compile   - compile and generate *.bin executable for upload via bootloader
install   - compile, generate and install VHDL boot image
all       - compile and generate *.bin executable for upload via bootloader and
            generate and install VHDL boot image
clean     - clean up project
clean_all - clean up project, core libraries and helper tools
```

7. The target “help” will display the same text again. “compile” compiles the current project and generates a binary file, that can be uploaded via the NEO430 bootloader. The target “install” also compiles the project and will also create a VHDL memory initialization file, which can be directly used for booting the application when not using the bootloader. “all” will execute both of these steps. Via “clean” you can clean the current project. A “clean_all” will also clean the NEO430 libraries and the auxiliary tools. For now, execute a “**make clean_all**”.

```
.../sw/example/blink_led$ make clean_all all
Memory utilization:
  text  data  bss  dec  hex filename
  680   0    0  680  2a8 main.elf
Installing application image to rtl/core/neo430_application_image.vhd
```

8. At first, the memory utilization/distribution is shown (in bytes). After that, a status message is shown, that confirms the “installation” process of the generated program image into the instruction memory VHDL component using the `neo430_application_image.vhd` file in the rtl folder.
9. That’s it!

4.5. Uploading and Starting of a Binary Executable Image via UART

When compiling an application, two final files are generated in the project folder:

- **main.bin** - The binary executable used for uploading via the bootloader.
- **main.s** - The ASM listing file of the compiled application (for debugging).

The generated binary executable must be uploaded to the NEO430 to be executed. This tutorial uses **TeraTerm** as an exemplary serial terminal program for **Windows**, but the general procedure is the same for other terminal programs and/or build environments / operating systems.

1. Connect the UART interface of your FPGA (board) to a COM port of your computer or use an USB-to-serial adapter.
2. Start a terminal program. In this tutorial, I am using TeraTerm for Windows. You can download it from: <https://tssh2.osdn.jp/index.html.en>
3. Open a connection to the corresponding COM port. Configure the terminal according to the following parameters:
 - **19200 Baud**
 - **8 data bits**
 - **1 stop bit**
 - **No parity bits**
 - **No transmission/flow control protocol** (just raw byte mode)
 - Newline on “\r\n” = carriage return & newline (if configurable at all)

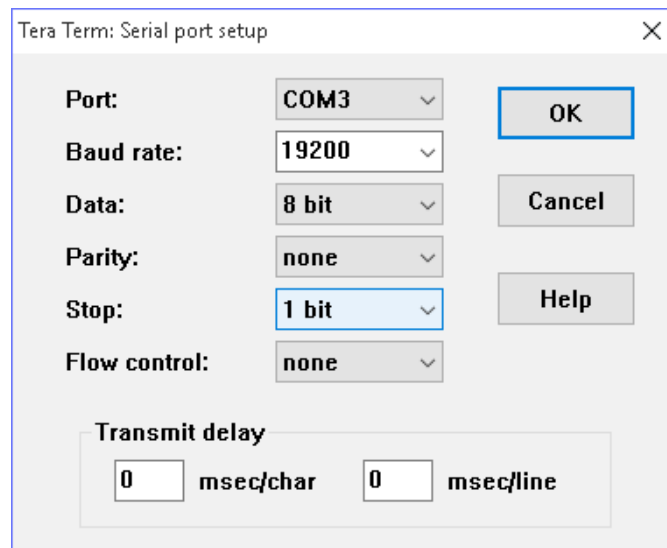


Figure 11: Serial configuration of TeraTerm

4. Also make sure, that single chars are transmitted without any consecutive “new line” or “carriage return” commands (this is highly dependent on your terminal application of choice, TeraTerm only sends the raw chars by default).

5. Press the NEO430's reset button to restart the bootloader. The status LED starts blinking and the bootloader intro screen appears in your console. Hurry up and press any key (hit space!) to abort the automatic boot sequence and to start the actual bootloader user interface console.

```
NEO430 Bootloader

BLV: Feb 11 2020
HWV: 0x0340
USR: 0x1ce4
CLK: 0x0134fd90
ROM: 0x8000
RAM: 0x3000
SYS: 0x74bd

Autoboot in 4s. Press key to abort.

CMDs:
h: Help
r: Restart
u: Upload
p: Program
e: Execute
CMD:>
```

6. Execute the “Upload” command by typing **u**. Now, the bootloader is waiting for a binary executable to be send.

```
CMD:> u
Awaiting BINEXE...
```

7. Use the “send file” option of your terminal program to transmit the previously generated binary executable (**main.bin**) from the `sw\example\blink_led` folder to the NEO430.

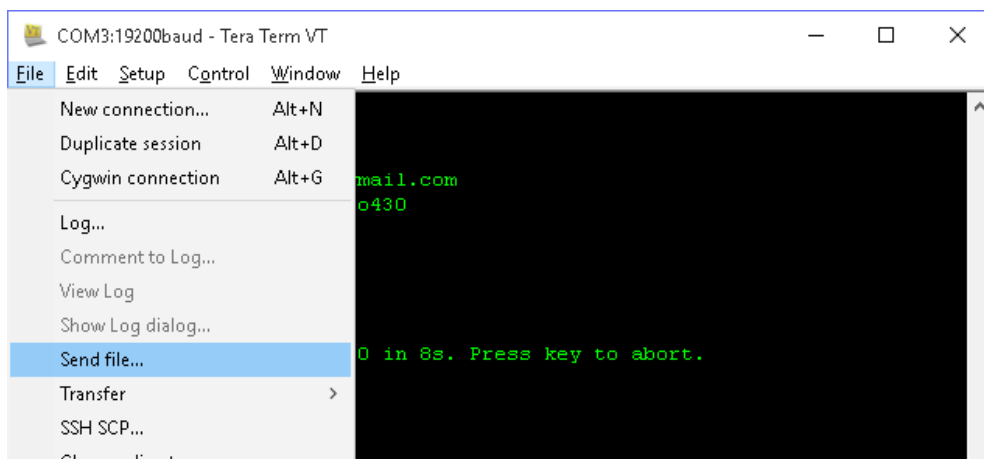


Figure 12: Sending a file using TeraTerm

8. Make sure to transmit the executable in **raw binary mode** (no transfer protocol, no additional header stuff). When using TeraTerm, select the “binary” option in the send file dialog:



Figure 13: Transfer executable in binary mode (German version of TeraTerm)

9. If everything went fine, **OK** will appear in your terminal:

```
CMD:> u
Awaiting BINEXE...OK
```

10. The program image now resides in the internal IMEM of your NEO430. To execute the program right now, start the application by pressing **e**. The `blink_led` program starts, prints “Blinking LED demo program” and will begin displaying an incrementing counter on the 8 LEDs connected to the GPIO output port.

```
CMD:> e
Booting...

Blinking LED demo program
```

11. That’s all. Now you are prepared to start your own project! ;)

4.6. External SPI Boot Flash

If you want the NEO430 bootloader to automatically fetch and execute an application image at start-up (→ auto boot configuration), you can store it to an external SPI flash. The advantage of the external memory is to have a non-volatile program storage, which can be re-programmed at any time just by executing some bootloader commands. Thus, no FPGA bitstream recompilation is required at all.

SPI Flash Requirements

The bootloader can access an SPI compatible flash via the processor's SPI port (see top entity). The flash must be capable of operating at least at 1/8 of the processor's main clock. Only single read and write operations are used. The address has to be 24 bit long. Furthermore, the SPI flash has to support at least the following commands:

- READ
- READ STATUS
- WRITE ENABLE
- PAGE PROGRAM
- SECTOR ERASE
- READ ID
- (POWER DOWN & RELEASE FROM POWER DOWN)

The base address for storing the application image to the SPI flash is defined in the bootloader source code (sw/bootloader/bootloader.c):

```
// SPI flash boot base address
#define SPI_FLASH_BOOT_ADR 0x00040000L
```

If you change this base address, you have to recompile the bootloader ([4.9. Re-Building the Internal Bootloader](#)) and do a new synthesis of the project. Make sure to keep the **L**, since the base address is a 32-bit constant.

Most FPGAs, that use an external configuration flash, store the golden configuration bitstream at base address 0. Make sure there is no address collision between the FPGA bitstream and the application image.

Some compatible (FGPA configuration) SPI flash memories are for example the **Winbond W25Q64FV** or the **Micron N25Q032A**.

Programming the SPI Flash

You need an SPI flash, that is compatible to a Micron ® SPI flash like the **N25Q032A**, with 24-bit addresses. The flash must be at least as big as the internal IMEM.

This tutorial explains how to program the external SPI flash assuming it is already connected properly to the NEO430 core top entity SPI port. Make sure to use the SPI chip select #0 signal (**spi_cs_o(0)**) as the chip select for the flash.

1. At first, reset the NEO430 processor and wait until the bootloader start screen appears in your terminal program.
2. Abort the auto boot sequence and start the user console by pressing any key.
3. Press **u** to upload the program image, that you want to store to the external flash. Send the binary in raw binary via your terminal program.

```
CMD:> u
Awaiting image...
```

4. When the uploaded is completed and **OK** appears, press **p** to begin programming of the flash. You need to do this now – do not execute your program to prevent changes in the image!

```
CMD:> u
Awaiting image...OK
CMD:> p
...OK
```

5. If **OK** appears in the terminal line, the writing process was successful. Now you can use the auto boot sequence to automatically boot your application from the flash at system start-up without any user interaction.

4.7. Setup of a New Application Program Project

Done with all the introduction tutorials and those example programs? Then it is time to start your own application project!

1. The easiest way of creating a new project is to copy an existing one (like the `blink_led` project) and use that copy as starting point. Just copy an example project and keep it in that folder. If your project folder is located somewhere else, you need to define the path of the NEO430 home folder (e.g., `NEO430_HOME = /mnt/n/projects/neo430`):

```
# Relative or absolute path to the NEO430 home folder
NEO430_HOME = ../../..
```

2. Now you can start modifying the `main.c` file according to your new project.
3. If your project contains additional program files beside the `main.c` file, you have to include the header files in your `main.c` file using the C pre-processor macro.

```
#include <neo430.h>
#include "awesome_library.h" // one of your project's included libraries
```

4. Also, you need to add the source folder of the included library to the sources path of the toolchain. Open the makefile in your project folder and add your sources to the `APP_SRC` variable:

```
# User's application sources (add additional files here)
APP_SRC += -I awesome_library/source/awesome_library.c
```

5. Finally, you need to add the include folder of the included library to the include path of the toolchain. Open the makefile in your project folder and add your sources to the `APP_INC` variable:

```
# User's application include folders (don't forget the '-I before each entry)
APP_INC = -I . -I awesome_library/include
```

6. If you want, you can change the optimization level for your project:

```
# Compiler effort (-Os = optimize for size)
EFFORT = -Os
```

4.8. Simulating the Processor

If you do not have a FPGA board, if you want to check things or if you want to see what's going on, you can do a simulation of the processor. For this purpose, a simple testbench was implemented (`neo430_tb.vhd`, located in the project's `sim` folder). This testbench instantiates the top entity of the processor system (`neo430_top.vhd`) and also includes a serial UART receiver unit, which outputs the transmitted UART data to the simulator console. Additionally, the output is printed to a text file (`neo430_uart_tx.txt`), which is generated in the simulator project home folder.

By default, the testbench does not simulate the system setup using the bootloader. Instead, your actual application code (in IMEM) will be simulated:

```
BOOTLD_USE => false, -- implement and use bootloader? (default=true)
```

Xilinx ISIM

In case you are using *Xilinx ISIM* simulator (or the Vivado simulator), a pre-defined waveform configuration including all relevant processor signals can be found in the `sim/ISIM` folder (`neo430_tb.wcfg`). Note, that you have to create a new project before, that needs to include all required rtl VHDL files. The generated `neo430_uart_tx.txt` file (processor's UART output log file) is a little bit hard to find, but should be located in: `<Xilinx_project_home_folder>\<project_name>.sim\sim_1\behav`.

ModelSim

When you are using ModelSim, you can start a new simulation project by executing a script from the `sim/modelsim` folder. Navigate to the folder using the ModelSim simulator console and execute the following command:

```
do simulate.do
```

This will also open a pre-configured waveform to analyze the most important signals of the processor. The UART's output log file (`neo430_uart_tx.txt`) will also be generated in the `sim/modelsim` folder.

GHDL

If you are interested in a free and open source simulator – ghdl might be the answer for you. Download and install it from <http://ghdl.free.fr/>. To run a console-only simulation, navigate to the `sim/ghdl` folder and execute the shell script:

```
sh ghdl_run.sh
```

Also, the UART output log file `neo430_uart_tx.txt` is generated in the `sw/ghdl` folder.

4.9. Re-Building the Internal Bootloader



Rebuilding the bootloader is not necessary, since it is designed to work independently of the actual hardware configuration and system setup.

If you want to modify or customize the internal bootloader, you need to re-build it.

- After you have modified the bootloader's main source file according to your wishes, open a console and navigate to the bootloader source folder (`sw\bootloader`). Execute "make clean_all all". Make sure the environment variable for the compiler's binaries is set (→ PATH).
- Now perform a new synthesis / HDL compilation to update the bitstream with the new bootloader image.

4.10. Building a Non-Volatile Application (Program Fixed in IMEM)

The purpose of the bootloaders is to re-upload your application code at any time via UART. Additionally, you can use an external SPI flash as non-volatile program storage, that still can be updated at every time via the bootloader console. This provides a lot of flexibility, especially during development. But when you have completed your software development and your application code is *fixed*, the bootloader might not be necessary any longer. Thus, you can disable it to save hardware resources and to directly boot your application at start-up from the internal IMEM.

1. At first, compile your application code by running the `make install` command. This will automatically install the according memory initialization image into the IMEM.
2. Now it is time to exclude the bootloader ROM from synthesis. Set the `BOOTLD_USE` generic in the instantiation of the processor's top entity (`neo430_top`) to 'false':

```
BOOTLD_USE => false, -- implement and use bootloader? (default=true)
```

3. This will exclude the boot ROM from synthesis and also changes the CPU boot address from the beginning of the boot ROM to the beginning of the IMEM. Thus, the CPU directly executed your application code after reset.
4. The IMEM could be still modified by setting the `R` flag in the CPU's status register allowing write accesses. Hence, the IMEM is implemented as RAM. To prevent this and to implement the IMEM as true ROM (and eventually saving some more hardware), deactivate this feature by setting the `IMEM_AS_ROM` generic in the instantiation of the processor's top entity to 'false':

```
IMEM_AS_ROM => true -- implement IMEM as read-only memory? (default=false)
```

5. Perform a synthesis and upload your new bitstream. Your application code resides now unchangeable in the processor's IMEM and is directly executed after reset.

4.11. Alternative Top Entities / Avalon Bus / AXI4 Lite Connectivity

The NEO430 processor features a Wishbone-compatible 32-bit bus adapter to attach custom IP blocks. Wishbone is only one protocol for on-chip bus systems. Besides Wishbone, Avalon is a quite popular interface standard, especially in terms of Intel FPGA systems.

If you want to connect the NEO430 to IP cores using a different bus protocol you can either use a custom interface bridge or you can use one of the alternate processor top entities from the `rtl\top_templates` folder. These alternative top entities are a replacement of the default `neo430_top.vhd` as they provide the same interface ports as the default top entity. The only exception here is the actual on-chip bus protocol. Internally, the alternative top entity implement a bridging logic to convert the processor's native Wishbone interface into an **Avalon Master** interface.

Additionally, an alternative version of the default `neo430_top.vhd` top entity is provided, which only uses resolved interface types (`std_logic` and `std_ulogic`).

Alternative top entity	Description
<code>neo430_test.vhd</code>	Simple test setup for fast implementation / evaluation of the NEO430.
<code>neo430_top_avm.vhd</code>	Top entity with Avalon Master connectivity.
<code>neo430_top_axi4lite.vhd</code>	Top entity with Axi4 Lite Master connectivity.
<code>neo430_top_std_logic.vhd</code>	Top entity using only <code>std_logic</code> / <code>std_logic_vector</code> as port types.

4.12. Troubleshooting

- ✓ Have you added all HDL files from the `rtl/core` folder to your project? Make sure to add all VHDL files to a new library called “neo430”.
- ✓ Have you enabled the peripheral modules you want to use in the processor’s top entity (generics)?
- ✓ Have you selected the correct top entity (e.g. `neo430_test.vhd`)?
- ✓ Have you assigned at least the signals for the clock and reset, the status LED and the UART communication lines? Have you terminated all unused input signals (logical low)?
- ✓ Does the reset button has the correct polarity (active low)?
- ✓ Is your main clock source running at all?
- ✓ Have you made a correct configuration of all the configuration generics of the processor top entity? Especially the clock speed configuration is crucial for the test setup.
- ✓ Are the configured memory sizes in the linker script `neo430_linker_script.x` the same as in the VHDL top entity generic configuration?
- ✓ Do you want to directly execute your application from the IMEM or do you want to use the bootloader?
- ✓ Have you installed your compiler correctly and have you configured the PATH environment variable to include the absolute path to the compiler’s binaries folder? Did you install the correct compiler (TI’s `msp430-gcc`) version (Linux/Windows)?
- ✓ If you are communicating with the bootloader via UART, have you configured your terminal with the right settings (e.g., correct Baud rate)?
- ✓ Are you uploading the binary executable in raw-byte mode?
- ✓ Your application does not fit into the memory? Make the core’s memories a little bit larger (4.2. General Software Setup).
- ✓ Was the application compilation process successful?
- ✓ Try a “`make clean_all all`” in your project folder to recreate everything.
- ✓ Check the toolchain using “`make check`”.
- ✓ Make sure to use an up-to-date version of all required tools (`make`, `gcc`, `msp430-gcc`,...).

6. Change Log

Date (DD.MM.YYYY)	HW version	Modifications
06.01.2018	0x0150	Changed IO address space layout; added CRC module with according software library; added CFU; updated implementation results; added minimal configuration example
10.01.2018	0x0154	Moved IRQ vectors to beginning of DMEM
26.01.2018	0x0170	Added PWM controller; modified internal clock generator; fixed errors in address space declarations; clean-up of change log
24.04.2018	0x0180	r-flag is now read-only (and always zero) when implementing IMEM as true ROM
30.05.2018	0x0182	Added experimental low power mode; optimized IRQ controller logic; optimized SREG logic
01.06.2018	0x0183	Fixed bugs in Wishbone module and driver library; reduced ALU size
22.06.2018	0x0184	Fixed SEVERE bug in overflow flag computation! Thx Edward for that ;) added warning regarding not to use floating point types
03.08.2018	0x0184	Added NEO430 SW library description
09.08.2018	0x0185	Changed memory partitioning: IMEM can be up to 48kB large, DMEM up to 12kB
07.11.2018	0x0187	Bug-fix in latency of external IRQ line; added IRQ test to testbench; fixed some typos
17.11.2018	0x0200	Added TWI module; separated USART into SPI and UART; SPI now has 8 dedicated CS lines
20.09.2019	0x0300	PWM has now 4 channels and a variable bit width for the resolution; changed VHDL code to prevent some VHDL-2008 warnings; removed pure-windows makefiles – toolchain is now completely based on Linux makefiles, which can also be executed by Windows Powershell; modified reset generator; renamed PWM and WDT register and bit names; reworked whole documentary; split NEO430 SW library into include and source files
23.09.2019	0x0300	Finally fixed linking issue of math.h lib in makefiles. Floating point types/operations are now supported.
01.10.2019	0x0300	Updated makefiles (msp430-gcc has to be part of PATH; more targets)
04.10.2019	0x0300	Removed “-flto” compiler flag from makefiles; added implementation results for Lattice iCE40 UltraPlus
05.10.2019	0x0301	TWI modules now supports clock stretching by the slave; added note in <i>software setup</i> to make sure a native C compiler is installed
14.11.2019	0x0304	CPU’s DADD instruction is disabled by default – can be enabled via package switch; new shift direction control for SPI module; timer CNT register is now read-only; added timer SW library files, removed old aux library; cleared old change log entries; updated implementation results; reworked several parts of this document; minor size optimization of CPU
16.11.2019	0x0305	ALU and IRQ controller size optimizations; added compiler warning explanation regarding DADD instruction; added notes for adding include and source files to C projects
26.11.2019	0x0310	Fixed bug in CPU interrupt controller – now an interrupted program can execute at least one instruction even if there is a permanent interrupt request; added extended ALU functions (parity computation); SREG’s Q flag is write-only; added GARO TRNG incl. SW library and example project; constrained PWM counter sizes to 4 or 8 bit; added PWM option to modulate GPIO unit’s output port incl. example SW project; removed

Date (DD.MM.YYYY)	HW version	Modifications
		DMEM_BASE from SYSCONFIG info memory
27.11.2019	0x0311	Added watchdog status flag to determine if a WDT reset was caused by a normal timeout or an access with wrong password; reduced TRNG to have only one accessible register
29.11.2019	0x0320	Added external interrupts controller (EXIRQ) incl. SW library and example project
06.12.2019	0x0321	Removed trigger option from EXIRQ – now triggers only on high-level (add external edge detector if required); added option to trigger the IRQs by software (added according function to library); small bug-fix in EXIRQ controller (→ accumulating external IRQs)
13.12.2019	0x0322	Added run/stop flag to TIMER; added coremark benchmark results (CPU Performance chapter) and according SW project to example folder
29.01.2020	0x0330	SPI now only has 6 dedicated CS lines (instead of 8); SPI unit now also supports 16-bit word transfers; completely reassigned SPI unit's control register; new SPI CS enable scheme; timer unit can only generate an IRQ when RUN flag is set; modified TRNG: added de-biasing step; LFSR post-processing results now in 12-bit data; added configurable GARO taps
30.01.2020	0x0331	Added master acknowledge (MACK) feature to TWI unit
11.02.2020	0x0340	Bootloader now uses SPI flash for storing auto-boot option; rewrote chapters regarding bootloader & SPI flash; CFU now has access to the system's clock generator
12.02.2020	0x0341	Finally deprecated support of the DADD instruction
14.02.2020	0x0341	Added new travis & ghdl & fpga_specific rtl folder to folder overview
16.03.2020	0x0400	Changed license of project from LGPL-3.0 to BSD 3-Clause License
23.03.2020	0x0401	Most instruction now require one cycle less for completion → reduced average CPI by 1
29.03.2020	0x0404	Fixed severe bug in control (introduced with HW version 0x0401); modified function configuration of MULDIV unit; fixed bug in EXIRQ controller; removed XALU flag from sysconfig
31.03.2020	0x0404	Fixed chapter EXIRQ controller; TIMER's THRES register is now write-only; corrected CoreMark results
14.04.2020	0x0405	MULDIV unit now supports hardware-based signed multiplication; modified MULDIV HW interface
18.04.2020	0x0406	Added new hardware unit: 3-channel arbitrary frequency generator (FREQ_GEN) incl. Software drivers and documentary; updated impl. results; reworked documentary
25.04.2020	0x0406	Added software support for implicit multiplications (to make use of the MULDIV unit)
13.05.2020	0x0407	Fixed error in EXIRQ and CPU interrupt controller (low-priority IRQs might never be executed); added new targets to sw makefiles: info (show config), check (check toolchain installation); added advanced hardware configuration flags (from VHDL package) to SYSCONFIG info memory; updated CoreMark results for new NEO430_HWMUL_DSP compile option; updated MULDIV chapter; added chapter focusing on the sw makefile; clean-up of change log history

7. Citation

If you are using the NEO430 in some kind of publication, please cite it as follows:

S. Nolting, "The NEO430 Processor", github.com/stnolting/neo430