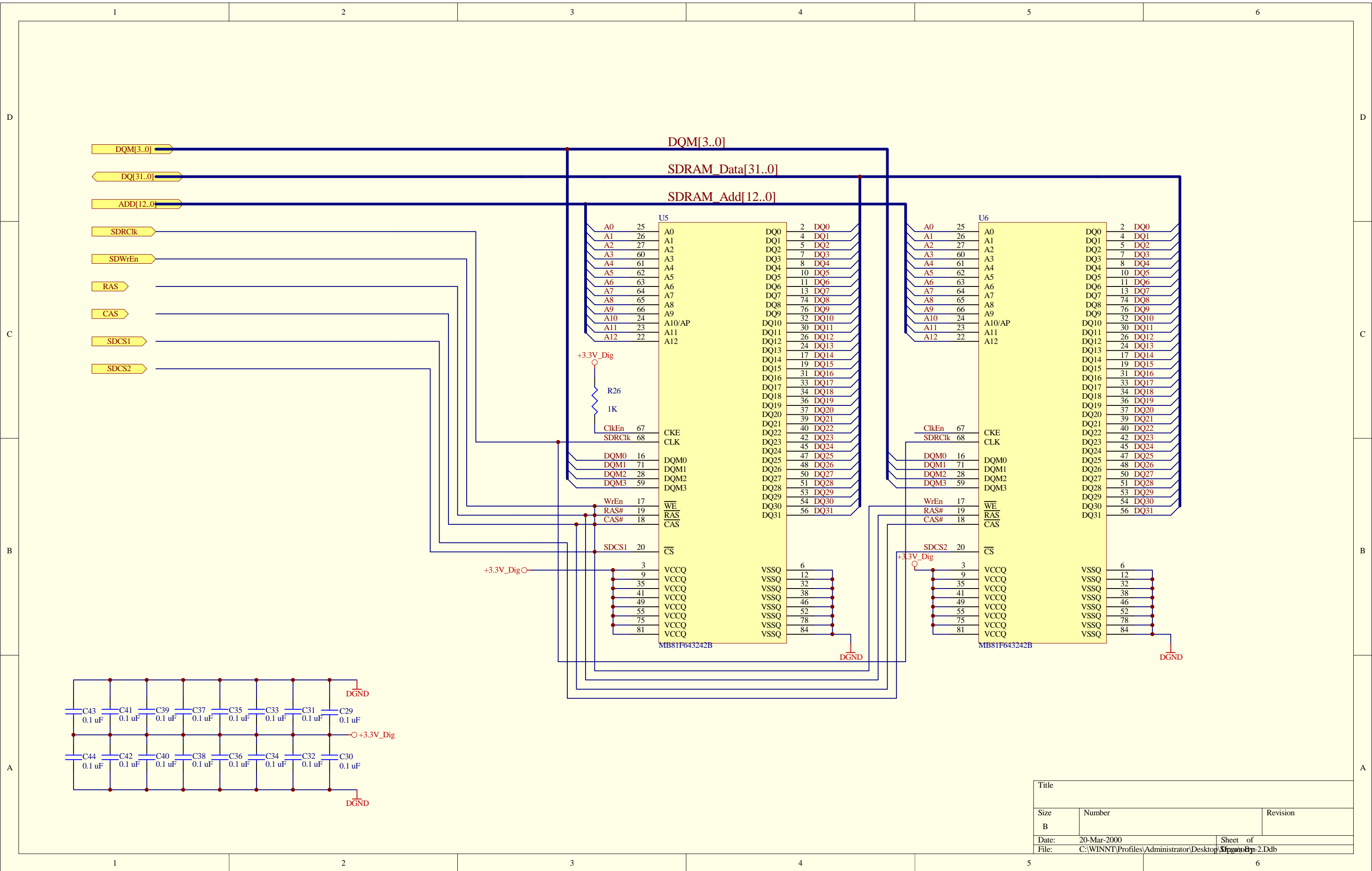
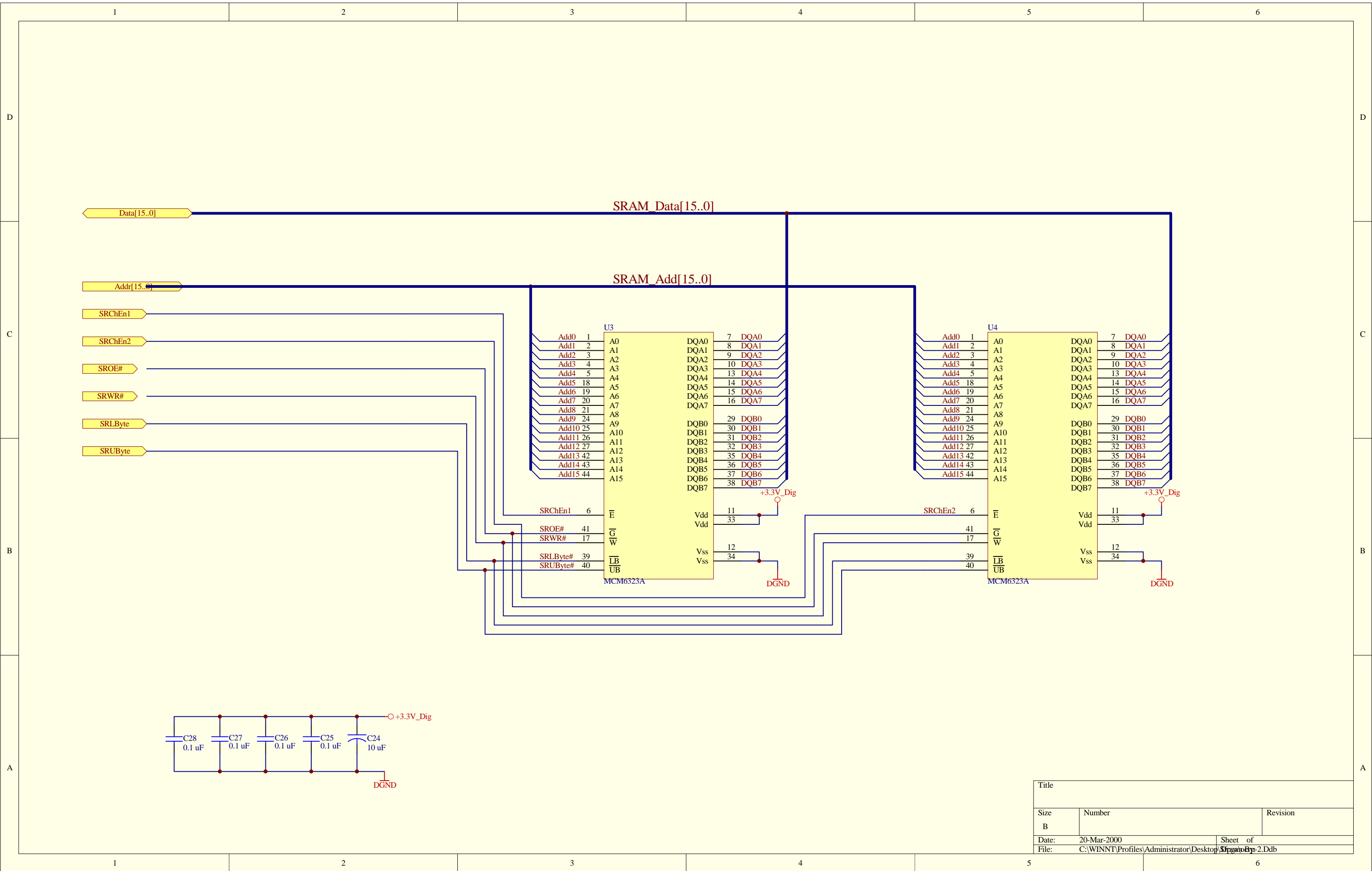


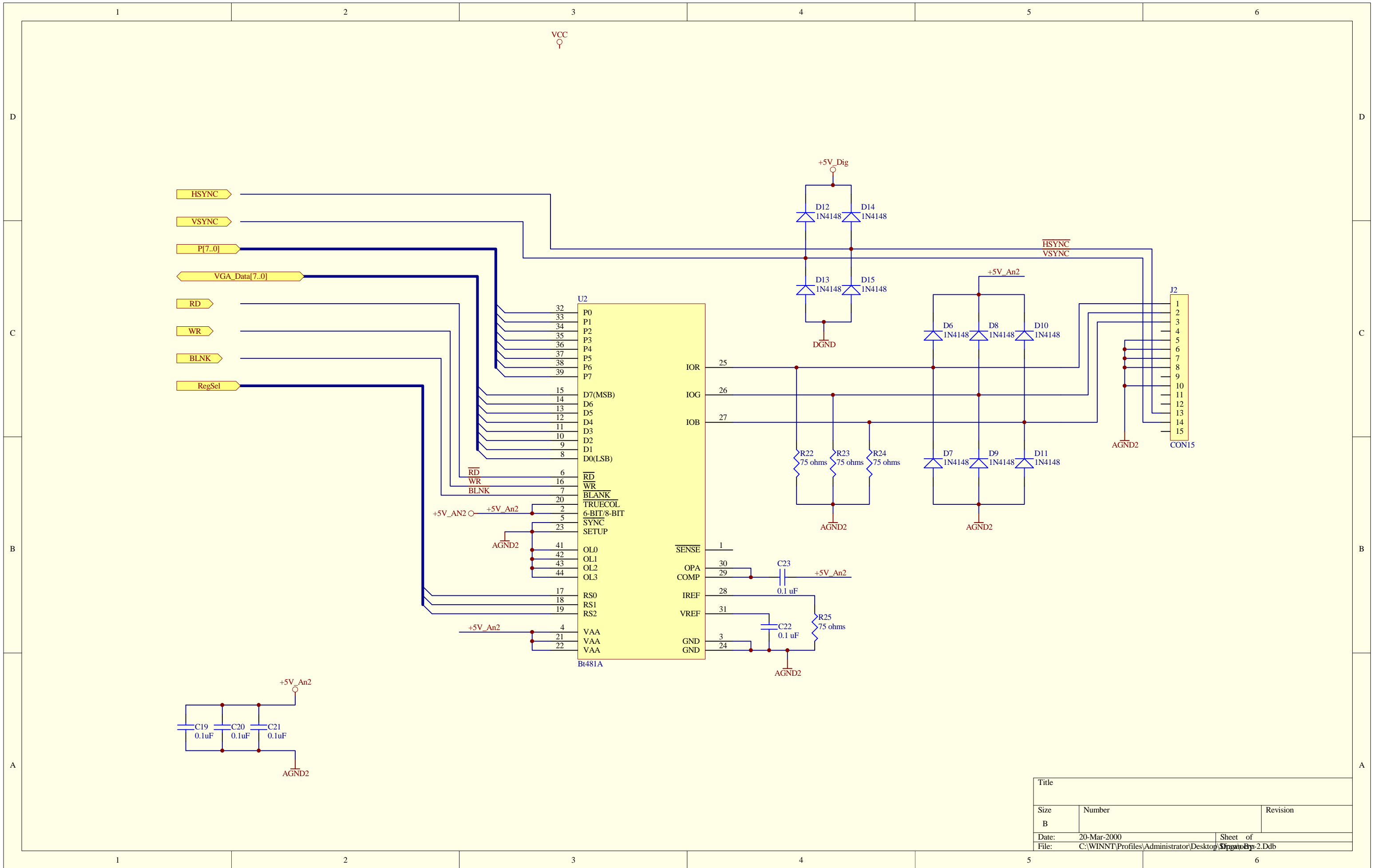
Title		
Size	Number	Revision
B		
Date:	20-Mar-2000	Sheet of
File:	C:\WINNT\Profiles\Administrator\Desktop\Sigma-2.Ddb	5 of 5



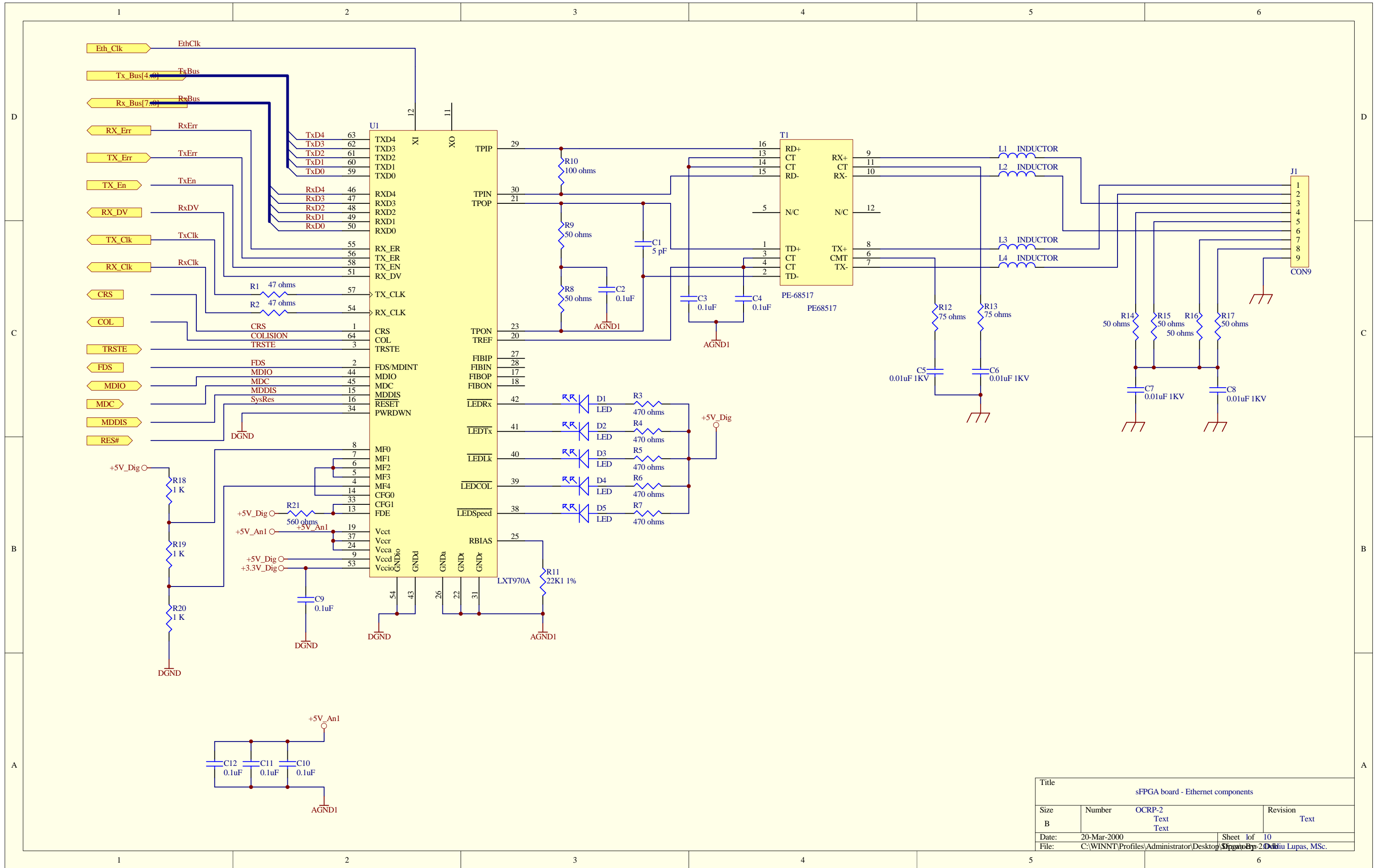
Title		
Size	Number	Revision
B		
Date:	20-Mar-2000	Sheet of
File:	C:\WINNT\Profiles\Administrator\Desktop\Spigno-2.Ddb	5



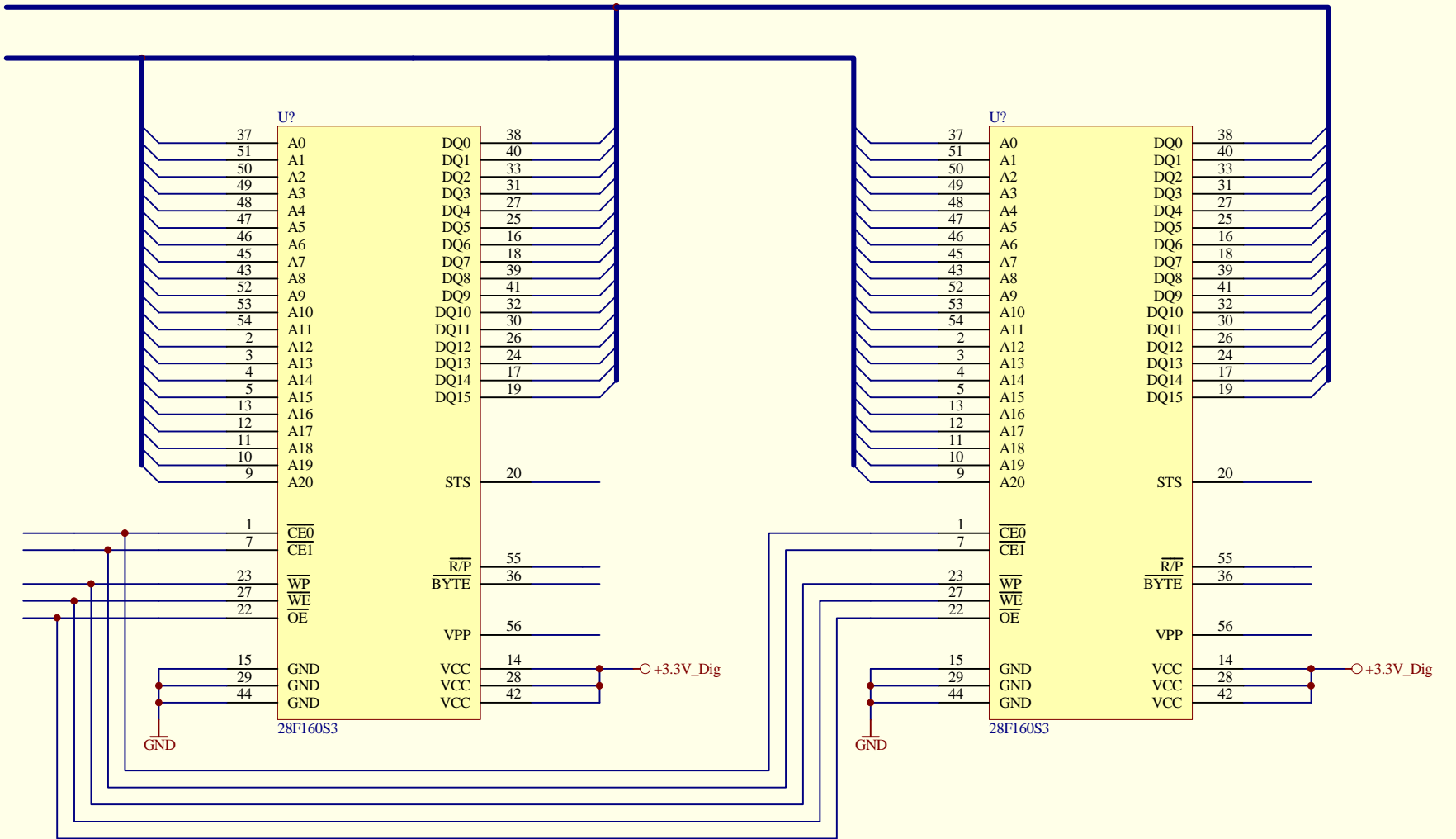
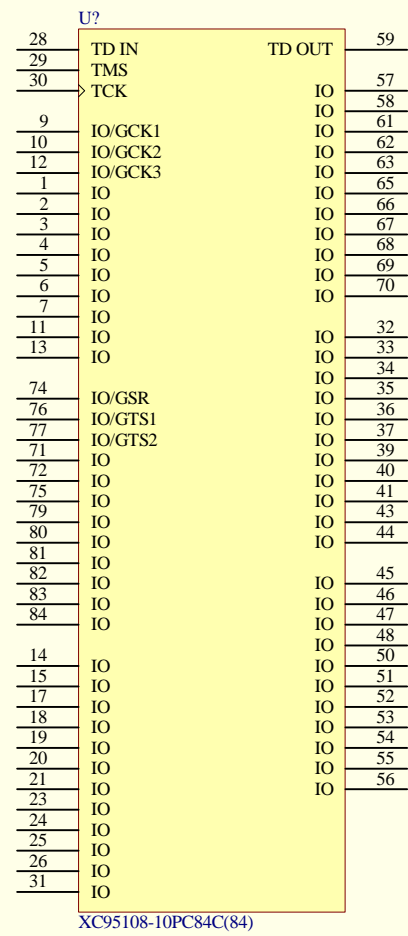
Title		
Size	Number	Revision
B		
Date:	20-Mar-2000	Sheet of
File:	C:\WINNT\Profiles\Administrator\Desktop\SpignoBy-2.Ddb	1 of 1



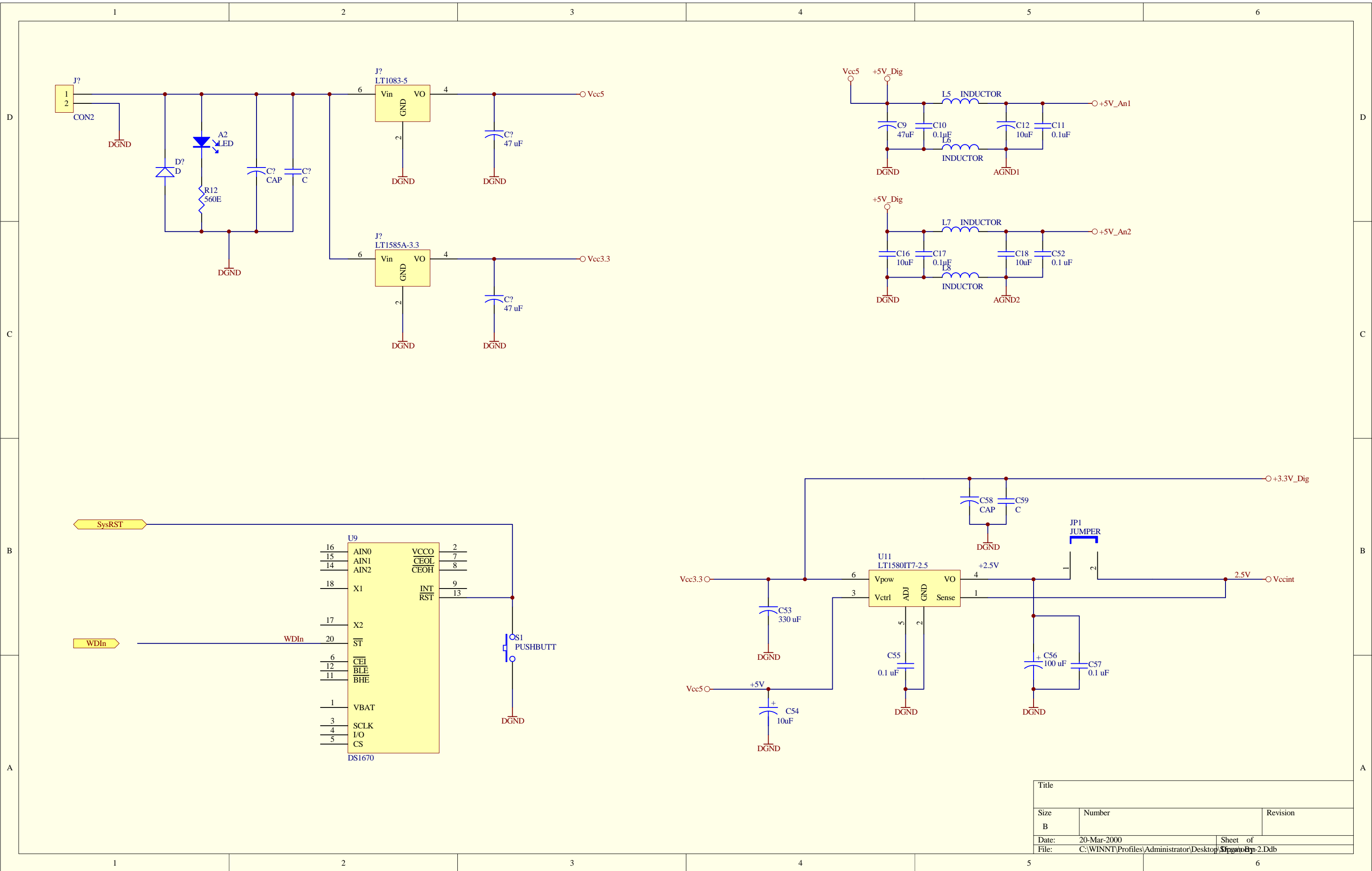
Title		
Size	Number	Revision
B		
Date:	20-Mar-2000	Sheet of
File:	C:\WINNT\Profiles\Administrator\Desktop\SpignoBy-2.Ddb	6



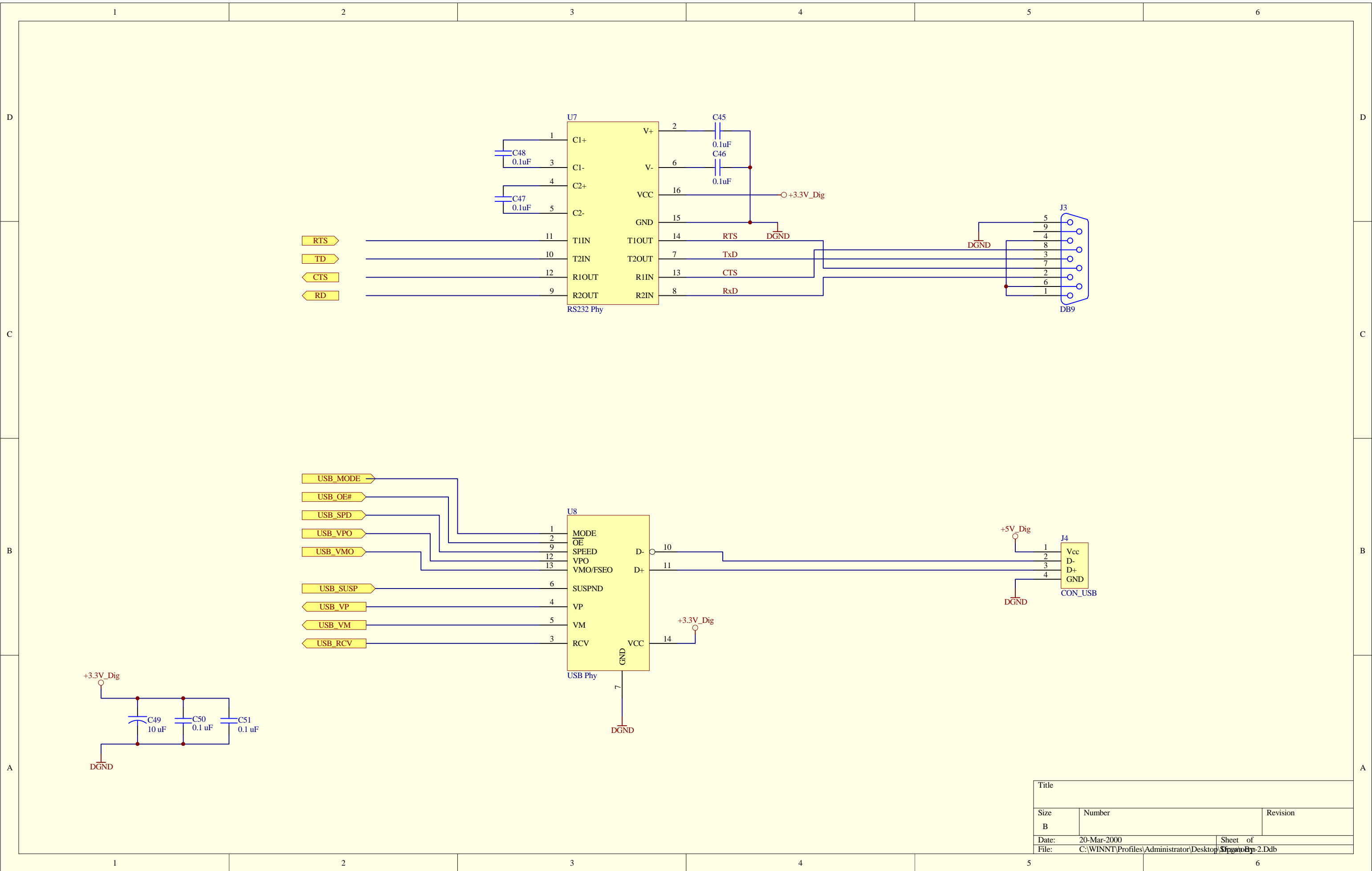
Title			
sFPGA board - Ethernet components			
Size	Number	OCRP-2	Revision
B		Text	Text
Date:	20-Mar-2000	Sheet	10 of 10
File:	C:\WINNT\Profiles\Administrator\Desktop\Project\20000320\20000320.sch		



Title		
Size	Number	Revision
B		
Date:	20-Mar-2000	Sheet of
File:	C:\WINNT\Profiles\Administrator\Desktop\StpnoBy-2.Ddb	5 of 5



Title		
Size	Number	Revision
B		
Date:	20-Mar-2000	Sheet of
File:	C:\WINNT\Profiles\Administrator\Desktop\SpignoBy-2.Ddb	5 of 5



Title		
Size	Number	Revision
B		
Date:	20-Mar-2000	Sheet of
File:	C:\WINNT\Profiles\Administrator\Desktop\SpignoBy-2.Ddb	5 of 5