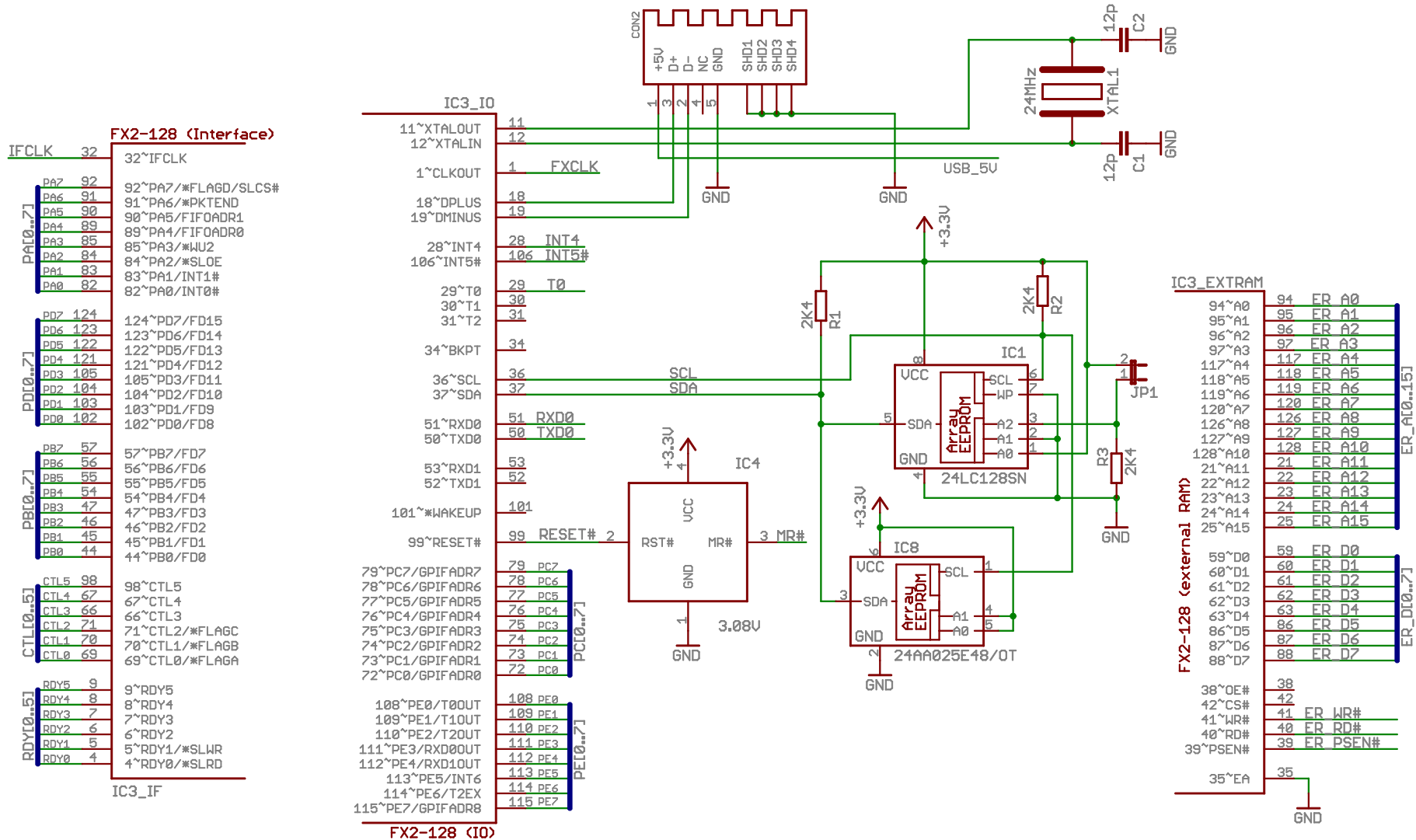
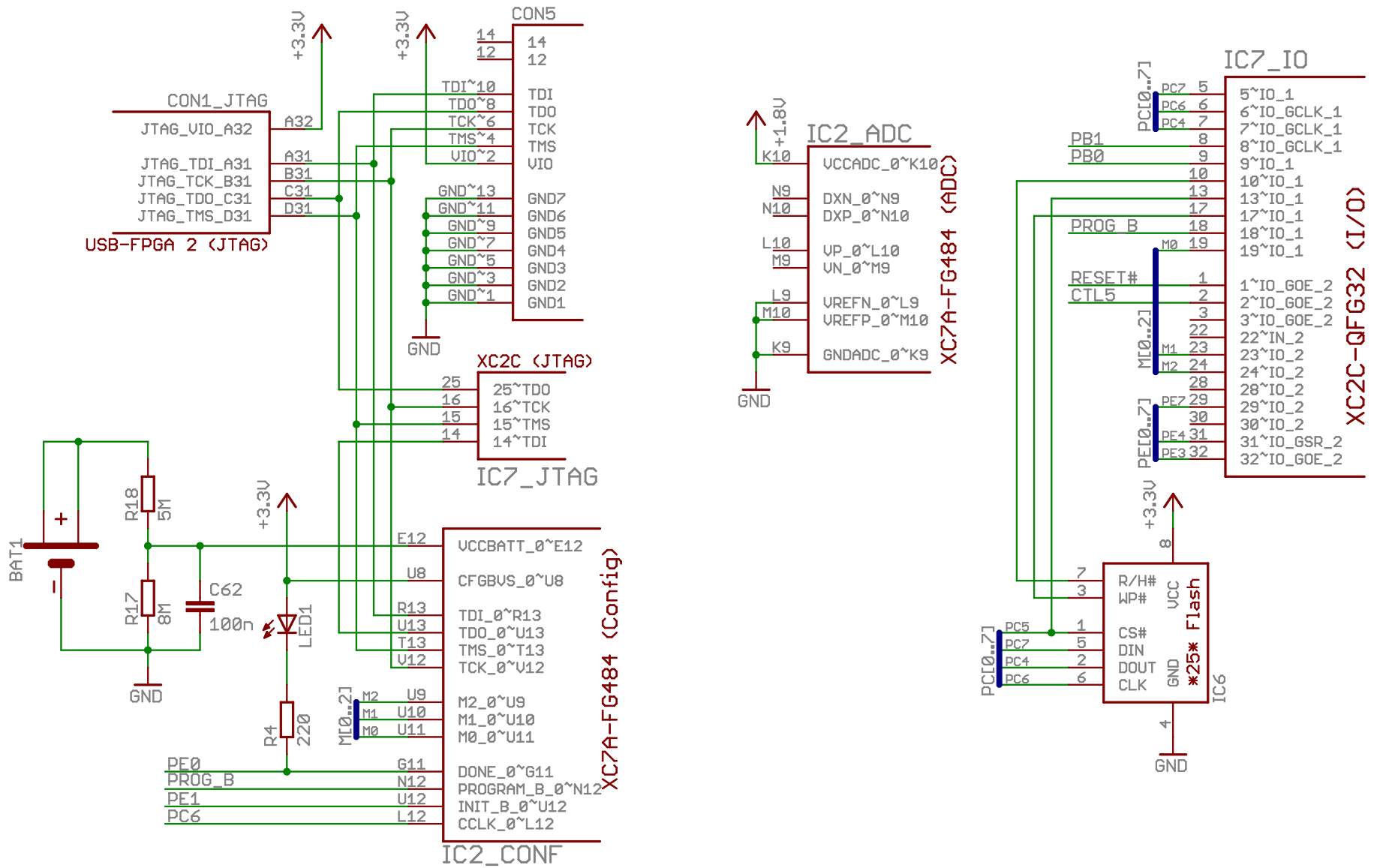


Circuit diagram of ZTEX USB-FPGA-Module 2.16

Contents:

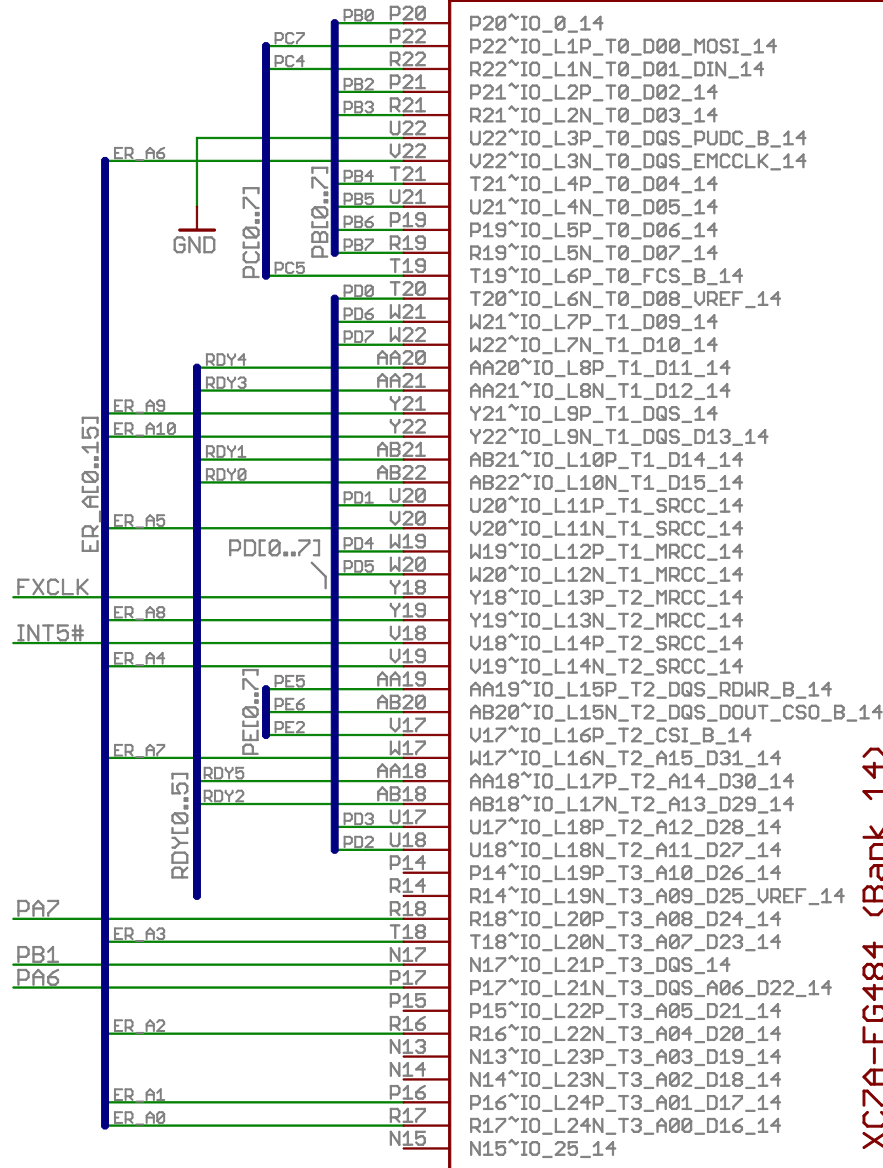
Sheet 1	EZ-USB FX2, USB, EEPROM
Sheet 2	JTAG, SPI Flash, FPGA configuration, CPLD, Battery
Sheet 3	XC7A Banks 14 and 15 (FX2 - FPGA interface)
Sheet 4	XC7A Banks 16 and 35 (external I/O rows A and B)
Sheet 5	XC7A Banks 13 and 34 (external I/O rows C and D)
Sheet 6	Power
Sheet 7	Decoupling
Sheet 8	Voltage regulators





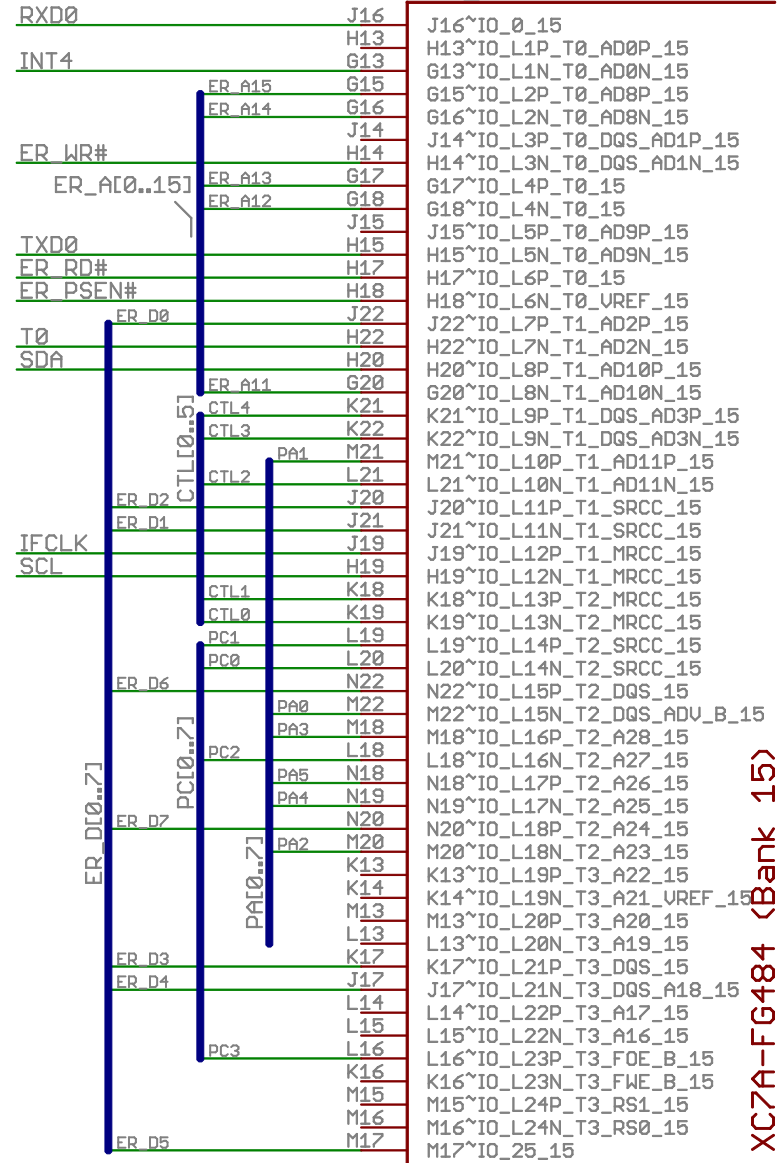
CON5, BAT1, R100, R101 and C100 are not installed by default

IC2_14

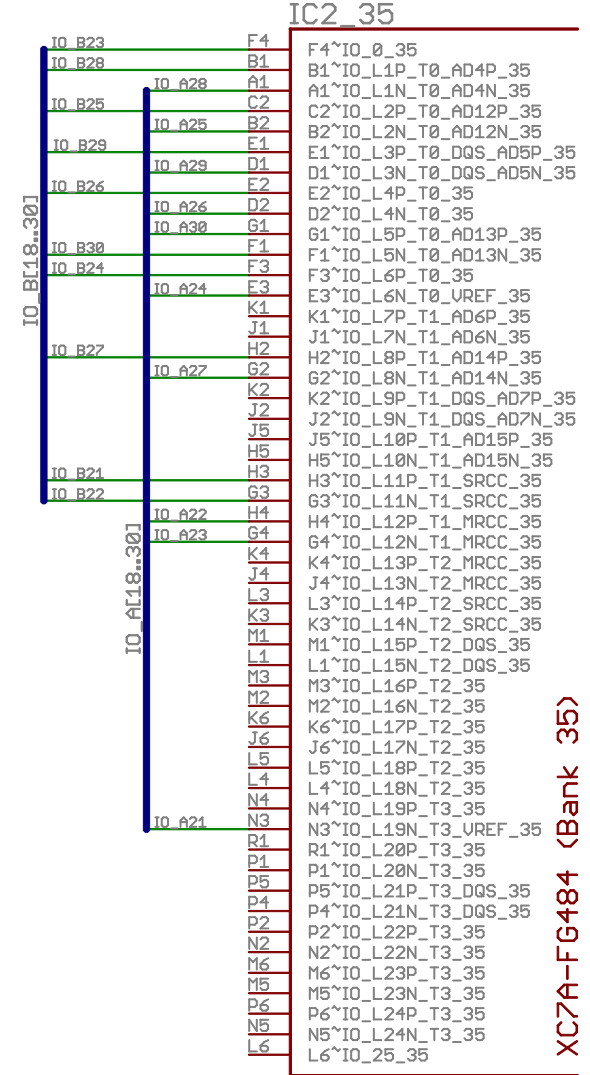
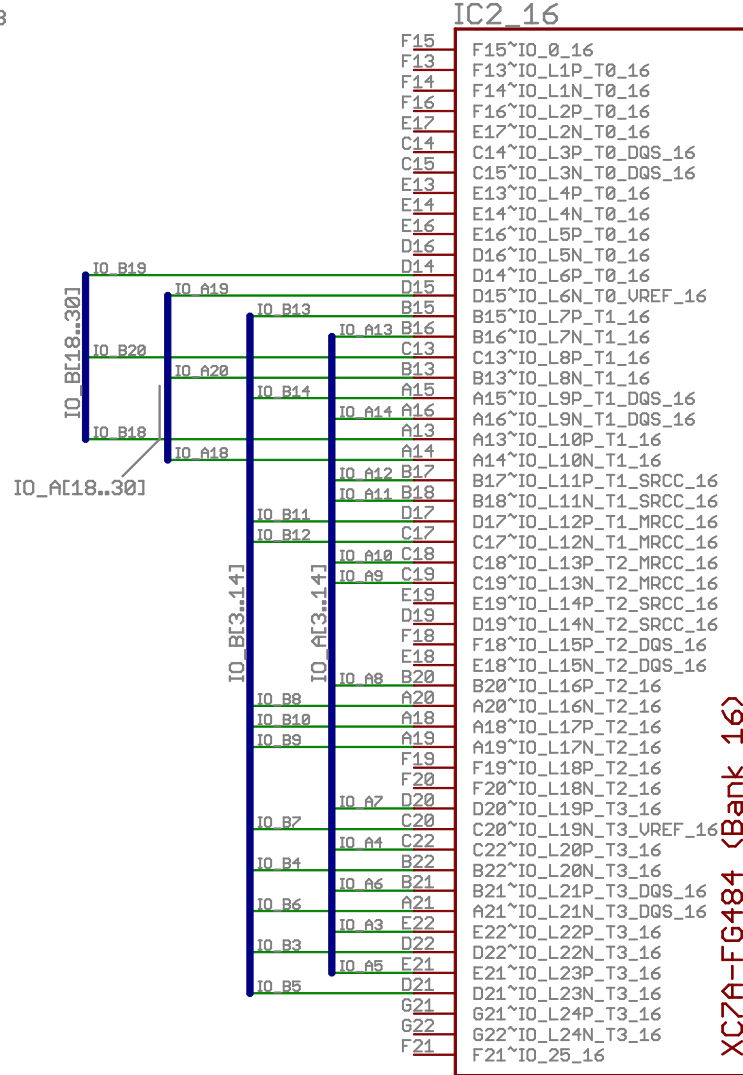
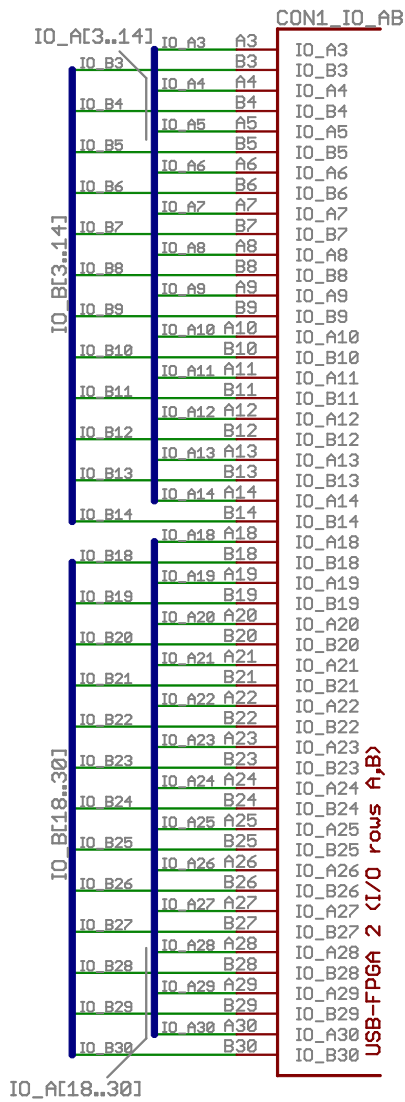


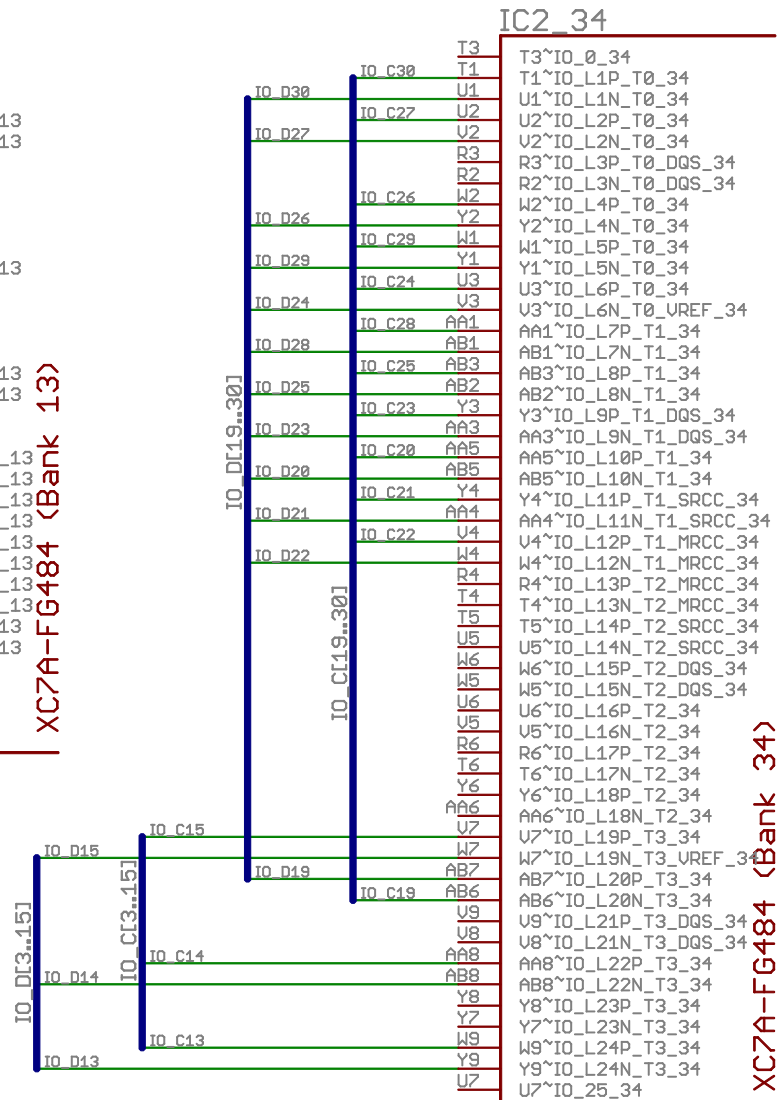
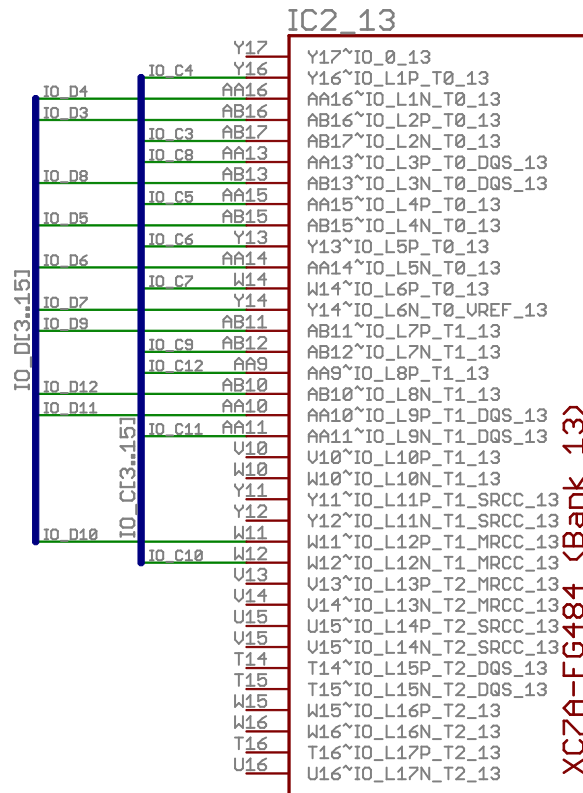
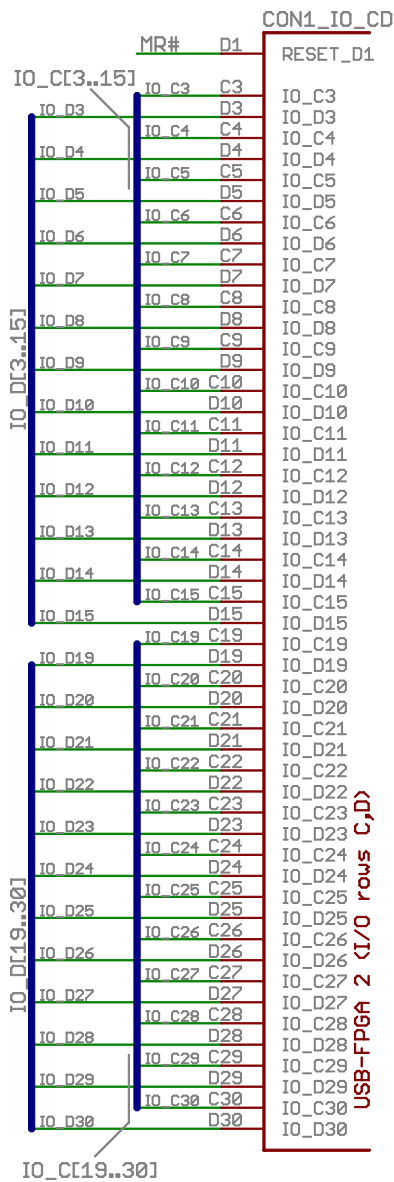
XC7A-FG484 (Bank 14)

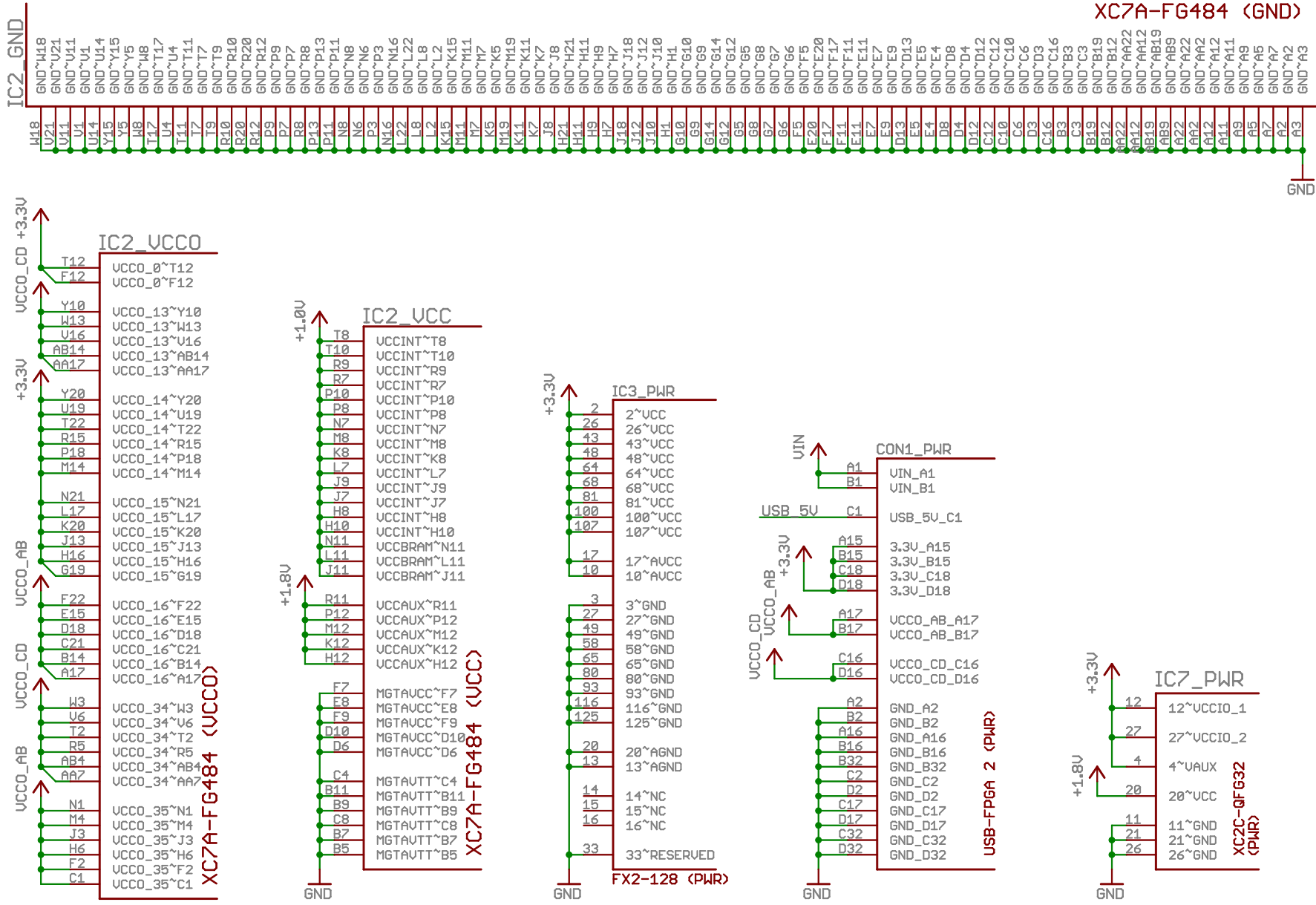
IC2_15

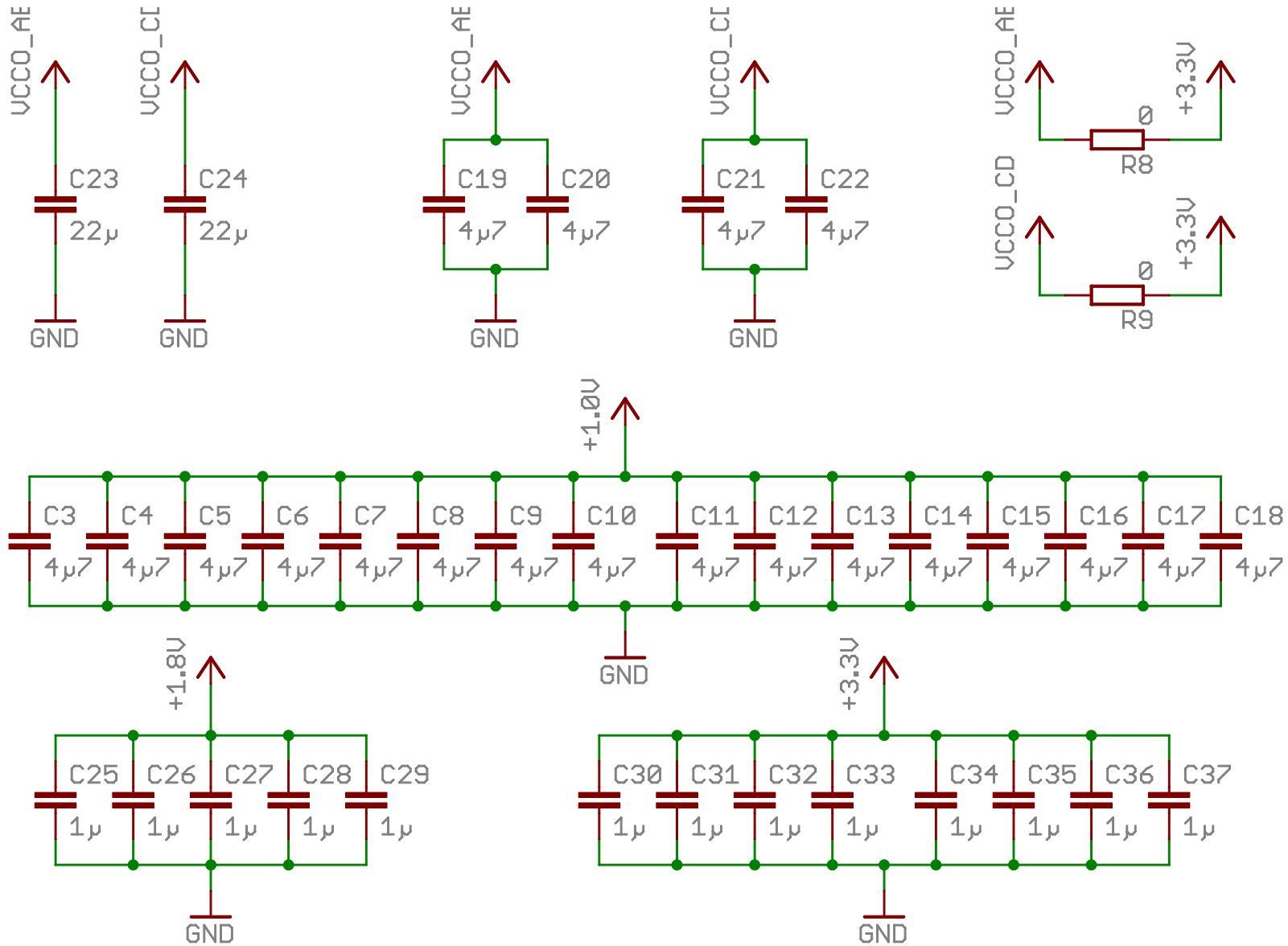


XC7A-FG484 (Bank 15)









Capacitor selection rules:

22µF: low ESR, X5R or X7R

4.7µF: $Z < 0.10\Omega$ @ 0.5..100MHz, $Z < 0.40\Omega$ @ 500MHz

