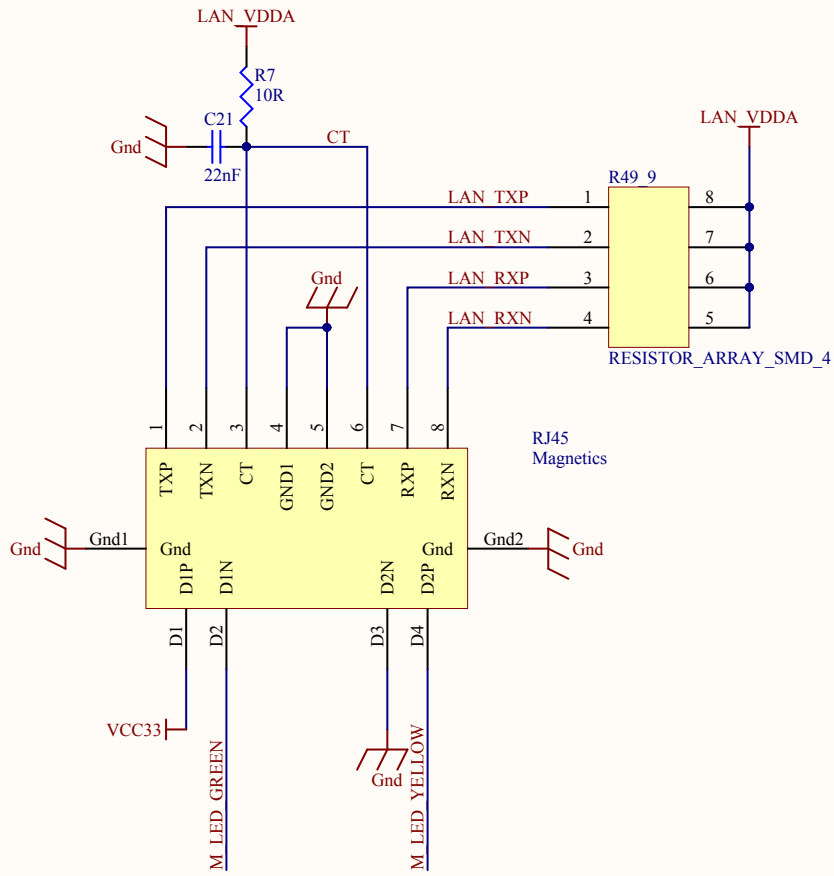
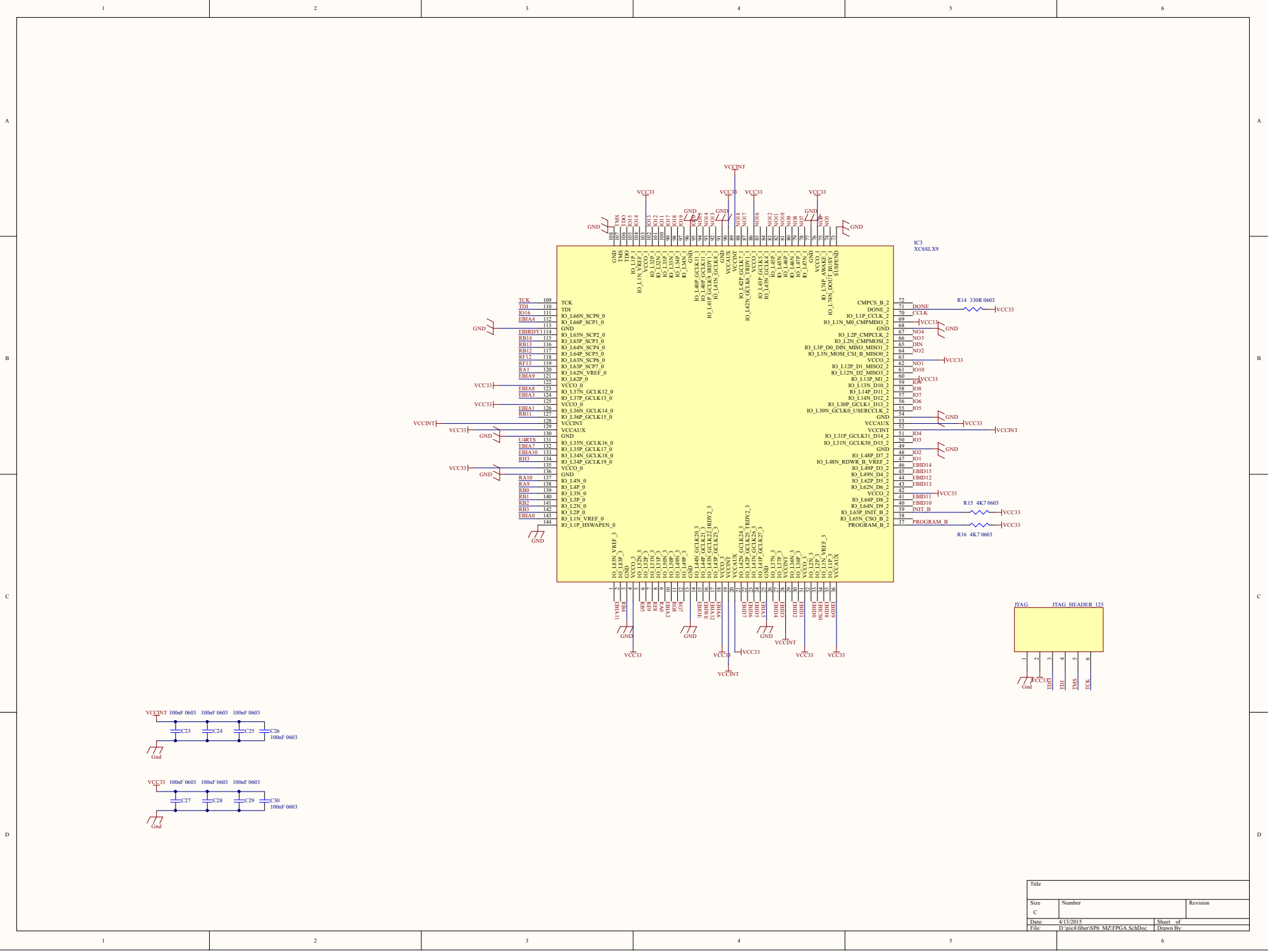


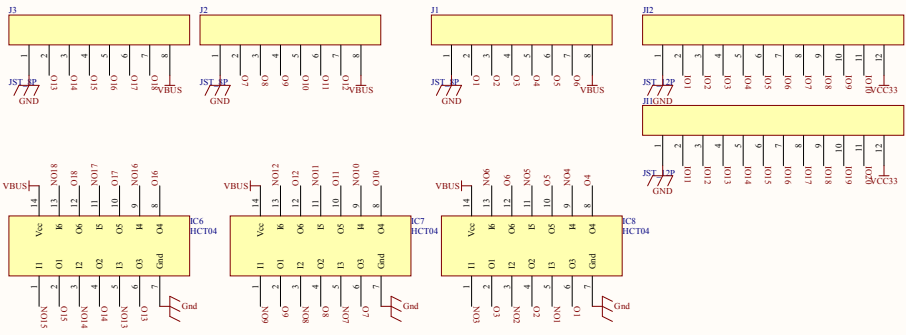
Title		
Size	Number	Revision
A		
Date:	4/13/2015	Sheet of
File:	D:\pic4\..ethernet_phy.SchDoc	Drawn By:



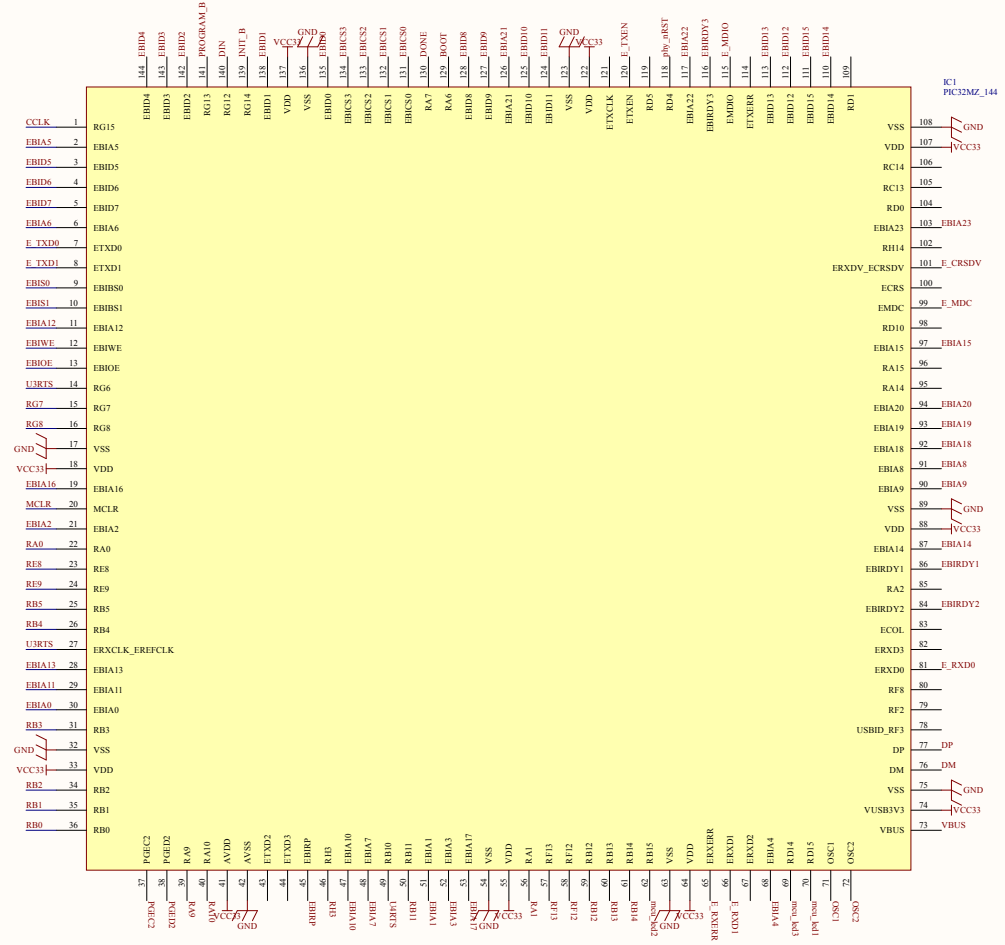
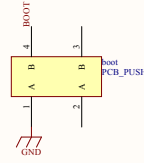
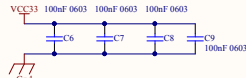
Title		
Size	Number	Revision
A		
Date:	4/13/2015	Sheet of
File:	D:\pic4\..ethernet_phy2.SchDoc	Drawn By:



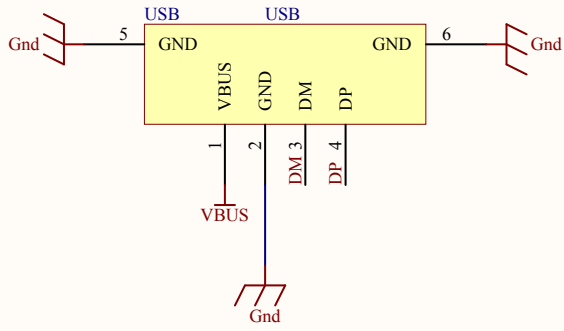
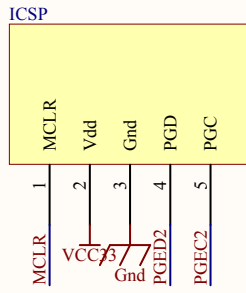
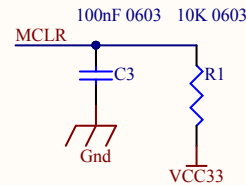
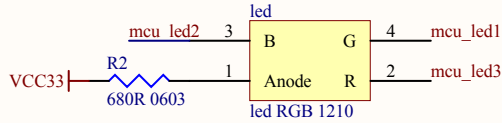
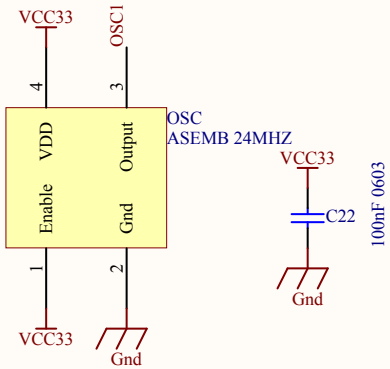
Title		
Size	Number	Revision
C		
Date:	4/13/2015	Sheet of
File:	D:\ps4\Fiber\SP6_MZ\FPGA_SchDoc	Drawn By:



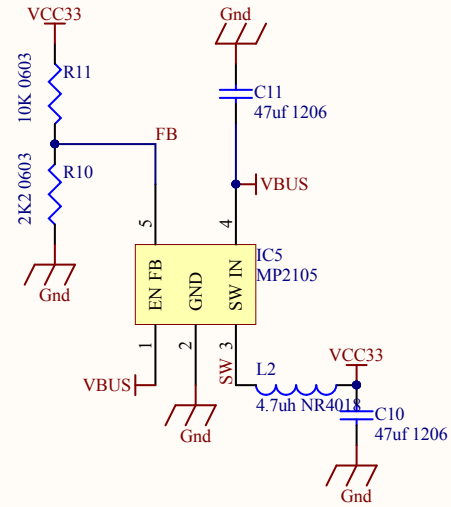
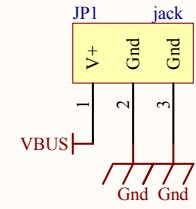
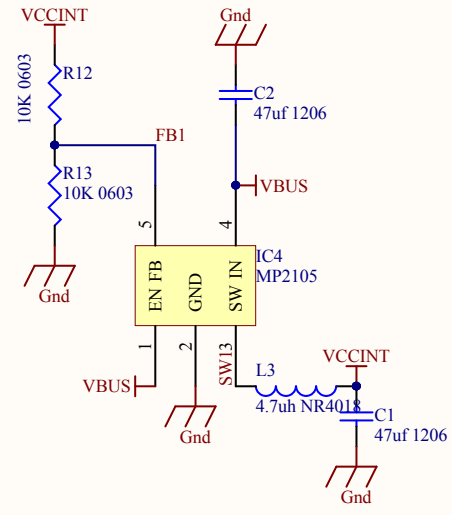
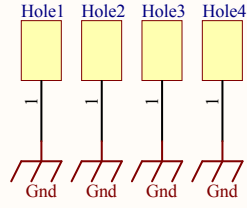
Title		
Size	Number	Revision
C		
Date:	4/13/2015	Sheet of
File:	D:\ps4\Fiber SP6_MZIO_SchDoc	Drawn By:



Title		
Size	Number	Revision
C		
Date:	4/13/2015	Sheet of
File:		D:\pic4\iber\SP6_MZ/MCU144 SchDcs
		Drawn By:



Title		
Size	Number	Revision
A		
Date:	4/13/2015	Sheet of
File:	D:\pic4\fiber\SP6_MZ\MCU2.SchDoc	Drawn By:



Title		
Size	Number	Revision
A		
Date:	4/13/2015	Sheet of
File:	D:\pic4\fiber\SP6_MZ\SUPPLY.SchDoc	Drawn By:

