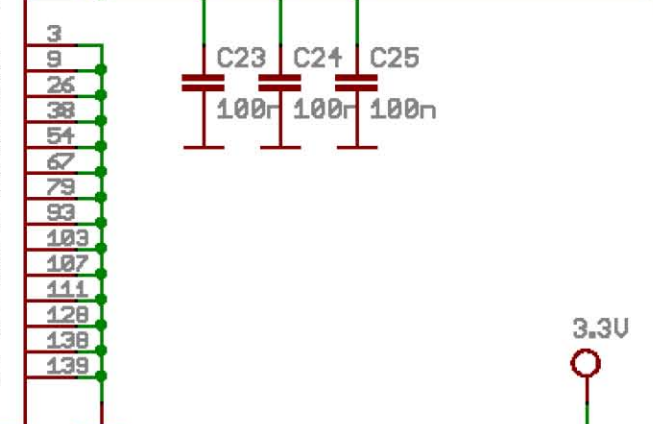
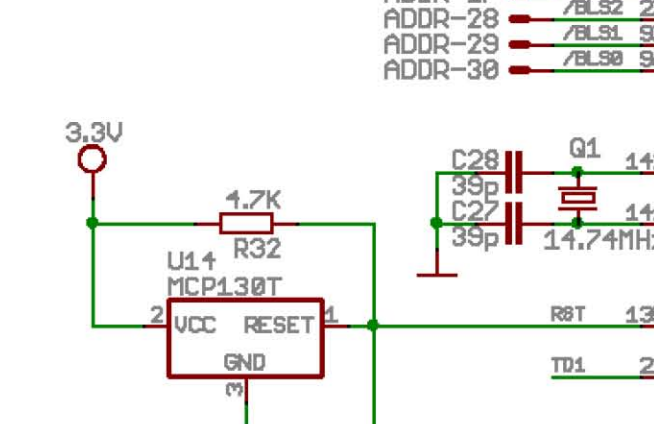
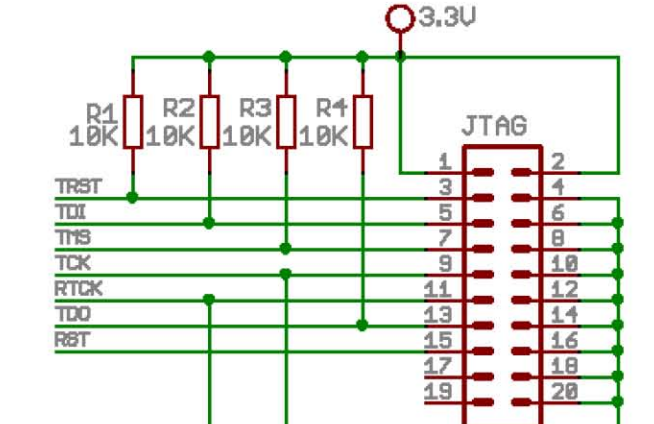
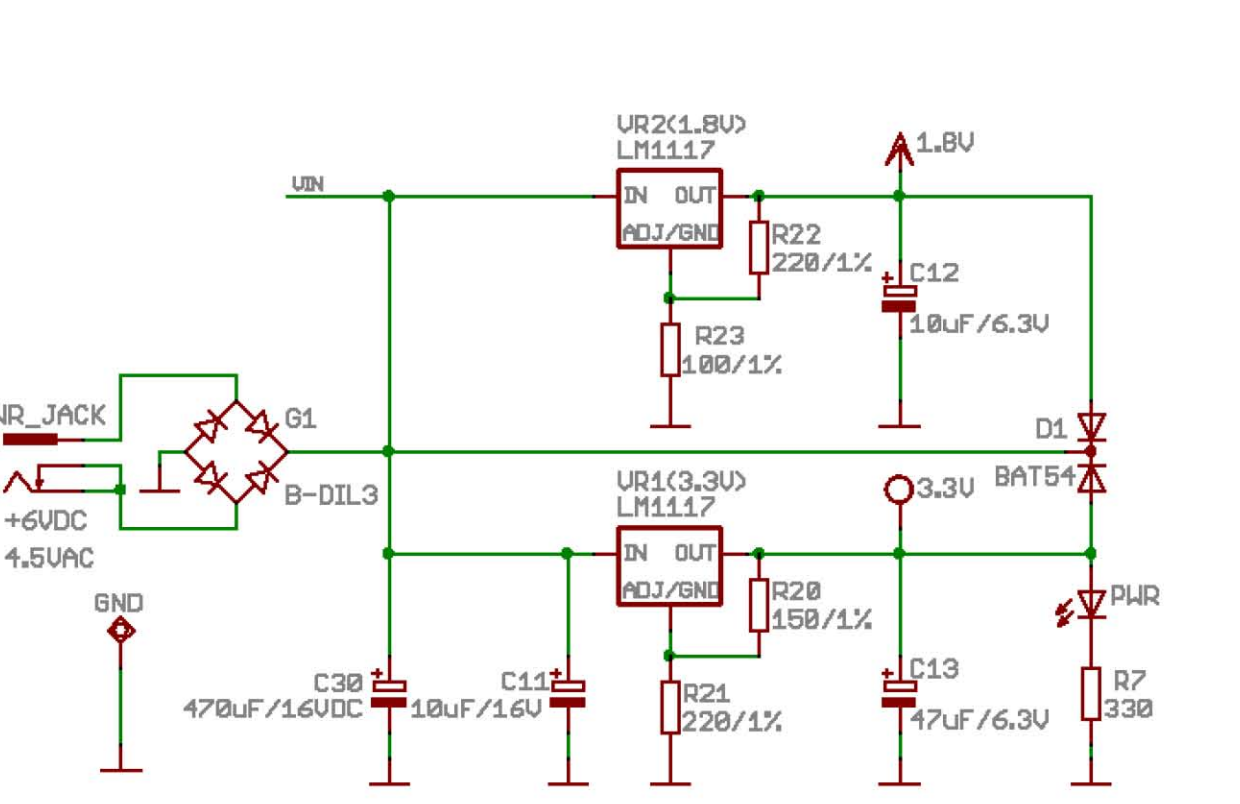


COPYRIGHT(C) 2006, OLIMEX LTD.  
 HTTP://WWW.OLIMEX.COM/DEV

### LPC-L2294-1MB



BOOT0	BOOT1	MODE
0	0	8-bit
1	0	16-bit
0	1	32-bit
1	1	Internal

- 3.3V ○ UEXT-1
- TXD1 ○ UEXT-2
- RXD1 ○ UEXT-3
- SCL ○ UEXT-4
- SDA ○ UEXT-5
- HEXD1 ○ UEXT-6
- HEXD2 ○ UEXT-7
- SCK1 ○ UEXT-8
- SSCL1 ○ UEXT-9
- UEXT-10