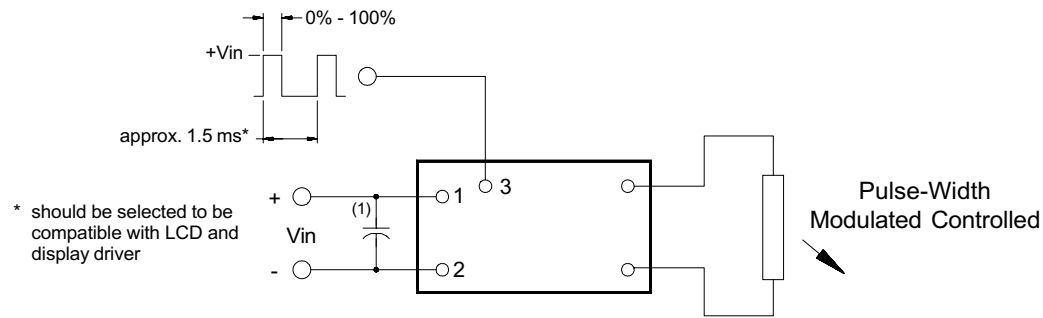


8M052322

Dimming Option
(valid when the "C" jumper is removed)



* should be selected to be compatible with LCD and display driver

Note 1 Input by-pass capacitor (25 uf - 100uf) may be required to reduce reflected ripple.



Endicott Research Group, Inc.
2601 Wayne St., Endicott NY 13760
607-754-9187



Endicott Research Group, Inc.

2601 Wayne St., Endicott NY 13760
607-754-9187 Fax 607-754-9255
<http://www.ergpower.com>

Specifications and Applications Information

11/24/99

Preliminary

The ERG 8M052322 (*8m Class*) low profile dc to ac inverter is specifically designed to power the Sharp LQ057Q3DC02 LCD display module to a moderate brightness level from a +5 volt dc source.

This low profile inverter features:

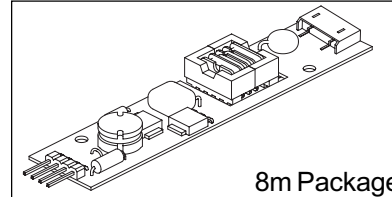
- ✓ Less Than 8 mm in Height
- ✓ LCD Module Specific
- ✓ Display Compatible Output Connector
- ✓ Firm Specifications
- ✓ Application Information
- ✓ Designed, Manufactured and Supported in the USA
- ✓ Custom Input and Output Voltages
- ✓ Flexible System Interface
- ✓ Notebook Display Head Compatible

Pin Descriptions

Input Connector	Output Connector
4 pins are 0.315" [8,00] Long, 0.025" [0,63] Square and are on 0.100" [2,54] Centers.	JST SM02(8.0)B-BHS-1-TB
Con1-1 Vin(+) Con1-2 GND Con1-3 Control * Con1-4 NC	Con2-1 ACout Con2-2 NC Con2-3 NC Con2-4 ACout
* Valid when the "C" Jumper is removed	

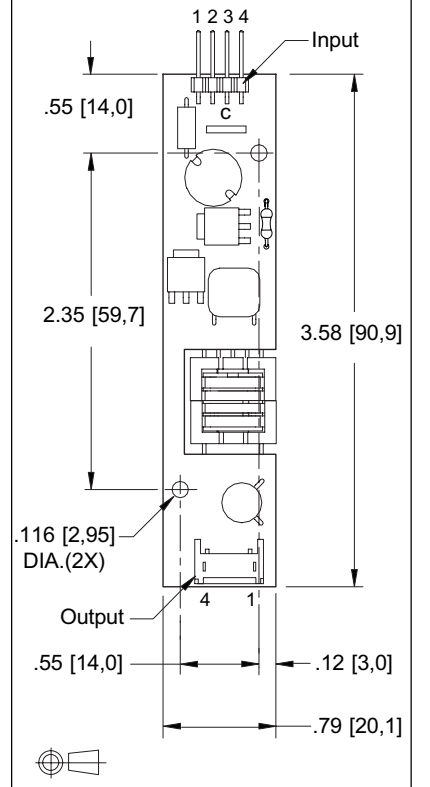
8M052322

8m Class
DC to AC Inverter



8m Package

Package Configuration



Absolute Maximum Ratings

Rating	Symbol	Value	Units
Input Voltage Range	V_{in}	-0.3 to +5.5	Vdc
Operating Temperature	T_o	0 to +70	°C
Storage Temperature	T_{stg}	-40 to +85	°C

Recommended Operating Conditions

Rating	Symbol	Value	Units
Input Voltage	V_{in}	+2.5 to 5.5	Vdc

Electrical Characteristics

Unless otherwise noted $V_{in} = 5.00$ Volts dc and $T_a = 25$ °C

Characteristic	Symbol	Min	Typ	Max	Units
Input Current	I_{in}	-	.83	.93	Adc
Operating Frequency	F_o	30	35	40	KHz
Minimum Output Voltage	$V_{out} (min)$	1470	-	-	V_{rms}
Efficiency	η	-	85	-	%
Output Current	I_{out}	-	5.1	-	marms
Output Voltage (When Powering a Sharp LQ057Q3DC02 display)	V_{out}	-	690	-	V_{rms}

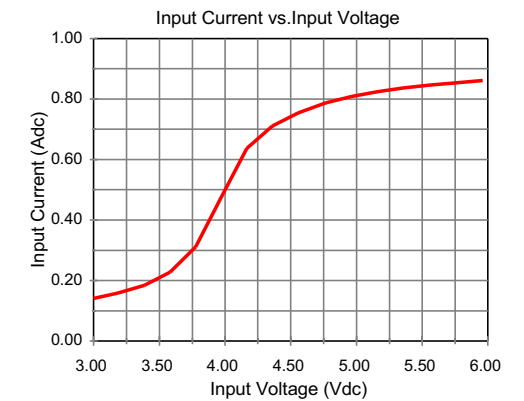
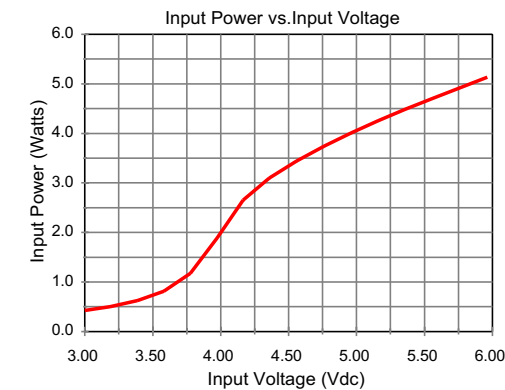
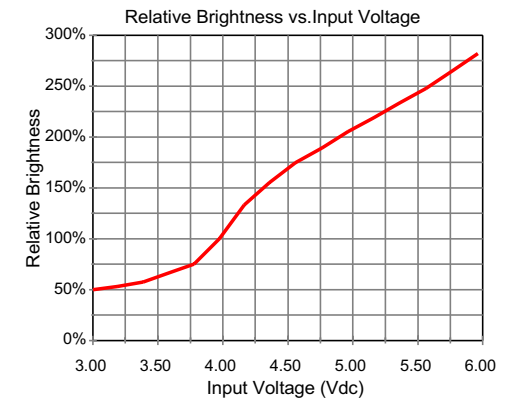
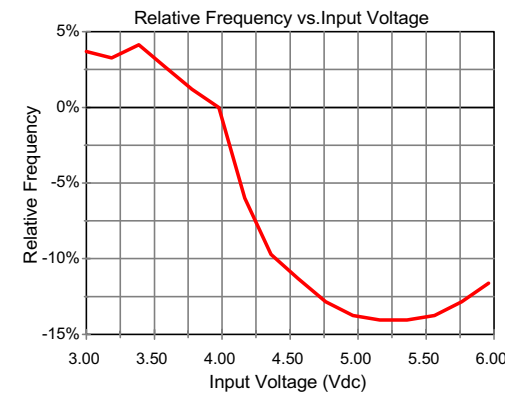
This load is approximately equivalent to the referred display. Specifications subject to change without notice.



Endicott Research Group, Inc.

Made in USA

Typical Performance Curves



Endicott Research Group, Inc.