

Specification OPB-SPI Slave

Daniel Koethe

November 28, 2007

Contents

1	Introduction	3
1.1	Features	3
1.2	Limitations	3
2	Core configuration	4
3	IO-Ports	5
4	Registers	6
4.1	Adressmap	6
4.2	SPLCR	6
4.3	SPLSR	7
4.4	TX_THRESH	8
4.5	RX_THRESH	8
4.6	TX_DMA_CTL	8
4.7	TX_DMA_ADDR	9
4.8	TX_DMA_NUM	9
4.9	RX_DMA_CTL	9
4.10	RX_DMA_ADDR	10
4.11	RX_DMA_NUM	10
4.12	IPISR	10
4.13	IPISE	10
5	System Integration	12
5.1	MPD-File	12
5.2	UCF-File	12
5.3	Register Header	13
6	Operations	15
7	Architecture	16

1 Introduction

This document describe a SPI Slave core designed for the Xilinx EDK. [?]

1.1 Features

- OPB-Clock and SPI-Clock are complete independent
- SPI can run faster than OPB if guaranteed that no TX-FIFO Underrunn or RX-FIFO Overrun occure.
- variable transfer length 2..32

1.2 Limitations

- designed only for Xilinx Spartan-3/Virtex-4 at the moment
- only Slave Operation

2 Core configuration

Description	Parameter Name	Allowable Values	Default Value
System Parameter			
Base address for OPB SPI	C_BASEADDR	0x00	0x00000000
High address for OPB SPI	C_HIGHADDR	BASEADDR+0x3F	BASEADDR+0x3f
OPB address bus width	C_OPB_AWIDTH	32	32
OPB data bus width	C_OPB_DWIDTH	32	32
Target FPGA Family	C_FAMILY	spartan3,virtex4	virtex4
User Parameter			
Shift register width	C_SR_WIDTH	8-32	8
Shift MSB First	C_MSB_FIRST	true, false	true
SPI Clock Polarity	C_CPOL	0,1	0
SPI Clock Phase	C_CPHA	0,1	0
FIFO Size Width(TX/RX) ¹	C_FIFO_DEPTH	4-7	4
DMA_EN	C_DMA_EN	true, false	false

Table 2.1: Generics

¹FIFO depth is $2^{Value} = (16,32,64,128)$

3 IO-Ports

Port	width	direction	Description
SPL_SCLK	1	input	Serial clock input
SPL_MOSI	1	input	Master Out Slave in
SPL_MISO	1	output	Master in Slave out
SPL_SS	1	input	Slave select
opb_irq	1	output	IRQ Output

Table 3.1: external ports

4 Registers

4.1 Adressmap

Name	Adress	Access	Description
SPI_CR	0x00	R/W	SPI Control Register
SPI_SR	0x04	R/W	SPI Status Register
SPI_TD	0x08	W	SPI Transmit Data Register
SPI_RD	0x0C	R	SPI Receive Data Register
TX_THRESH	0x10	R/W	TX-Threshold Prog Full/Emty
RX_THRESH	0x14	R/W	RX-Threshold Prog Full/Emty
TX_DMA_CTL	0x18	R/W	TX DMA Control
TX_DMA_ADDR	0x1C	R/W	TX DMA Base Adress Offset
TX_DMA_NUM	0x20	R/W	TX DMA Number of Transfers
RX_DMA_CTL	0x24	R/W	RX DMA Control
RX_DMA_ADDR	0x28	R/W	RX DMA Base Adress Offset
RX_DMA_NUM	0x2C	R/W	RX DMA Number of Transfers
DGIE	0x40	R/W	Device global IRQ Enable Register
IPI_SR	0x44	R/W	IRQ Status Register
IPI_ER	0x48	R/W	IRQ Enable Register

Table 4.1: Address-Map

4.2 SPI_CR

Bit	Name	Access	Reset Value	Description
31	DGE	R/W	0	Device Global Enable 0: Disable 1: Enable
30	TX_EN	R/W	0	Transmit Enable 0: Disable 1: Enable
29	RX_EN	R/W	0	Receive Enable 0: Disable 1: Enable
29	RESET	R/W	0	Reset Device(self cleared) 0: Normal Operation 1: Reset SPI-Core(SR/FIFO)
28..0	reserved			

Table 4.2: SPI_CR Register

4.3 SPI_SR

Bit	Name	Access	Reset Value	Description
31	TX Prog Full	R	0	Prog Full Flag 1: FIFO Prog Full
30	TX Full	R	0	Full Flag 1: FIFO Full
29	TX Overflow	R	0	Overflow Flag 1: FIFO Overflow (Cleared only at Reset)
28	TX Prog Empty	R	0	Prog Empty Flag 1: FIFO Prog Empty
27	TX Empty	R	0	Full Flag 1: FIFO Empty
26	TX Underflow	R	0	Underflow Flag 1: FIFO Underflow (Cleared only at Reset)
25	RX Prog Full	R	0	Prog Full Flag 1: FIFO Prog Full
24	RX Full	R	0	Full Flag 1: FIFO Full
23	RX Overflow	R	0	Overflow Flag 1: FIFO Overflow (Cleared only at Reset)
22	RX Prog Empty	R	0	Prog Empty Flag 1: FIFO Prog Empty
21	RX Empty	R	0	Full Flag 1: FIFO Empty
20	RX Underflow	R	0	Underflow Flag 1: FIFO Underflow (Cleared only at Reset)
19	Chip Select	R	0	Chip Select Flag 0: CS_N Low 1: CS_N High
18	TX DMA Done	R	0	Transmit DMA done 0: TX DMA in progress 1: TX DMA all Transfers done
17	RX DMA Done	R	0	Receive DMA done 0: RX DMA in progress 1: RX DMA all Transfers done
16:0	reserved			

Table 4.3: SPI_SR Register

Bit	Name	Access	Reset Value	Description
31:16	TX_THRESH_PROG_FULL	R/W	0	Transmit Prog Full Threshold [$1..2^{C_FIFO_DEPTH} - 2$]
15:0	TX_THRESH_PROG_EMPTY	R/W	0	Transmit Prog Empty Threshold [$1..2^{C_FIFO_DEPTH} - 2$]

Table 4.4: TX_THRESH Register

4.4 TX_THRESH

This Register sets the Almost Full and Empty Flag Thresholds for Transmit FIFO. IF the DMA-Engine is used, the TX_THRESH_PROG_EMPTY is used to trigger the DMA-Transfer. If Transmit FIFO is Almost Empty the Engine fills the FIFO with 16 Words(4..32bit). If the OPB-Bus is at medium or full load, increase Almost Empty Threshold to ensure there are "some bytes reserve" in Fifo until the DMA-Engine has access to the bus and can start transfer. Under light load condition a value of 4 should sufficient.

4.5 RX_THRESH

Bit	Name	Access	Reset Value	Description
31:16	RX_THRESH_PROG_FULL	R/W	0	Receive Prog Full Threshold [$1..2^{C_FIFO_DEPTH} - 2$]
15:0	RX_THRESH_PROG_EMPTY	R/W	0	Receive Prog Empty Threshold [$1..2^{C_FIFO_DEPTH} - 2$]

Table 4.5: RX_THRESH Register

This Register sets the Almost Full and Empty Flag Thresholds for Receive FIFO. IF the DMA-Engine is used, the RX_THRESH_PROG_FULL is used to trigger the DMA-Transfer. Normally set this Threshold to the block size of 16. If the OPB-Bus is at medium or full load, increase the FIFO Size(C_FIFO_WIDTH) to ensure there are 'some bytes free" in FIFO until overflow occurs.

4.6 TX_DMA_CTL

Bit	Name	Access	Reset Value	Description
31	TX_DMA_EN	R/W	0	Transmit DMA Enable 0: Disable 1: Enable
29:0	reserved			

Table 4.6: TX_DMA_CTL Register

This Register is only available if C_DMA_EN is set. Set the Bit TX_DMA_EN to 1 to enable the Transmit DMA Engine. With Engine Start the Register TX_DMA_ADDR and TX_DMA_NUM are copied to internal register. Do not change this Registers if DMA Enable set.

4.7 TX_DMA_ADDR

Bit	Name	Access	Reset Value	Description
31:0	TX_DMA_Adr	R/W	0	Transmit DMA Base Adress

Table 4.7: TX_DMA_ADDR Register

This Register is only available if C_DMA_EN is set. With this Register the Base-Adress of the TX-DMA is set. The Adress must 4 Byte aligned. Remark: For this memory area the Data-Chache of the Microblaze can be enabled, because the Cache is a Write-True type. Using a controller with write-back cache only the first write will written in memory, the second only in the internal cache.

4.8 TX_DMA_NUM

Bit	Name	Access	Reset Value	Description
31:8	TX_DMA_LEN	R/W	0	TX DMA Number of Block Transfers
7:0	reserved			

Table 4.8: TX_DMA_NUM Register

This Register is only available if C_DMA_EN is set. The Register set the Number of Blocktransfers. If all transfers done, the IRQ TX DMA Done asserted. The block size of the DMA is 16. A system configured with C_SR_WIDTH = 8 transfers 16 Bytes, if C_SR_WIDTH=32 64 Bytes are written to or read from the memory in one DMA-Cycle.

4.9 RX_DMA_CTL

Bit	Name	Access	Reset Value	Description
31	RX_DMA_EN	R/W	0	Transmit DMA Enable 0: Disable 1: Enable
29:0	reserved			

Table 4.9: RX_DMA_CTL Register

This Register is only available if C_DMA_EN is set. See Register TX_DMA_CTL for Description.

4.10 RX_DMA_ADDR

Bit	Name	Access	Reset Value	Description
31:0	RX_DMA_Adr	R/W	0	Transmit DMA Base Adress

Table 4.10: RX_DMA_ADDR Register

This Register is only available if C_DMA_EN is set. See Register TX_DMA_ADDR for Description.

Remark: Check RX_DMA_ADDR that is set to the right memory section. If wrong set, program-Code or date overwritten with SPI-Data!

4.11 RX_DMA_NUM

Bit	Name	Access	Reset Value	Description
31:8	RX_DMA_LEN	R/W	0	RX DMA Number of Block Transfers
7:0	reserved			

Table 4.11: RX_DMA_NUM Register

This Register is only available if C_DMA_EN is set. See Register TX_DMA_NUM for Description.

4.12 IPISR

Bit	Name	Access	Reset Value	Description
31	TX_Prog_Empty	R/ToW ¹	0	IRQ Prog Empty Flag
29	TX_Empty	R/ToW	0	IRQ Full Flag
28	RX_Prog_Full	R/ToW	0	IRQ Prog Full Flag
27	RX_Full	R/ToW	0	IRQ Full Flag
26	SS_FALL	R/ToW	0	IRQ SS FALL Flag
25	SS_RISE	R/ToW	0	IRQ SS RISE Flag
24..0	reserved			

Table 4.12: IPISR Register

4.13 IPISE

¹Read and ToggleOnWrite (writing 1 clears the bit)

Bit	Name	Access	Reset Value	Description
31	TX_Prog_Empty	R/W	0	IRQ Prog Empty Enable
29	TX_Empty	R/W	0	IRQ Full Enable
28	RX_Prog_Full	R/W	0	IRQ Prog Full Enable
27	RX_Full	R/W	0	IRQ Full Enable
26	SS_FALL	R/W	0	IRQ SS FALL Enable
25	SS_RISE	R/W	0	IRQ SS RISE Enable
24	TX_DMA_DONE	R/W	0	IRQ TX Transfer done Enable
23	RX_DMA_DONE	R/W	0	IRQ RX Transfer done Enable
22..0	reserved			

Table 4.13: IPISE Register

5 System Integration

To integrate this IP-Core in your System, unzip the `opb_spi_slave.zip` to your project-directory. Then Rescan the user repository with *Project → Rescan User Repositories*. This will take some seconds. After this you find the core in the *IP Catalog → Project Repository*.

5.1 MPD-File

```
BEGIN opb_spi_slave
  PARAMETER INSTANCE = opb_spi_slave_0
  PARAMETER HW_VER = 1.00.a
  PARAMETER C_BASEADDR = 0x7d600000
  PARAMETER C_HIGHADDR = 0x7d60ffff
  BUS_INTERFACE MSOPB = mb_opb
  PORT sclk = opb_spi_slave_0_sclk
  PORT ss_n = opb_spi_slave_0_ss_n
  PORT mosi = opb_spi_slave_0_mosi
  PORT miso = opb_spi_slave_0_miso
  PORT opb_irq = opb_spi_slave_0_opb_irq
END
```

5.2 UCF-File

```
# assign I/O Pins
NET opb_spi_slave_0_sclk_pin LOC= AA24; # must CC capable IO in virtex-4
NET opb_spi_slave_0_ss_n_pin LOC= V20;
NET opb_spi_slave_0_mosi_pin LOC= AC25;
NET opb_spi_slave_0_miso_pin LOC= AC24;
NET opb_spi_slave_0_miso_pin SLEW = FAST;

#### Module OPB_SPI_Slave constraints
Net opb_spi_slave_0_sclk_pin TNM_NET = spi_clk;
TIMESPEC TS_spi_clk = PERIOD spi_clk 40 ns;

NET "opb_spi_slave_0_mosi_pin" TNM = "spi_in";
#NET "opb_spi_slave_0_cs_n_pin" TNM = "spi_in";
TIMEGRP "spi_in" OFFSET = IN 5 ns VALID 10 ns BEFORE "opb_spi_slave_0_sclk_pin" HIGH ;

NET "opb_spi_slave_0_miso_pin" TNM = "spi_out";
TIMEGRP "spi_out" OFFSET = OUT 14 ns AFTER "opb_spi_slave_0_sclk_pin" LOW ;
```

5.3 Register Header

```
#include "xparameters.h"

#define XSS_CR (XPAR_OPB_SPI_SLAVE_0_BASEADDR + (4* 0x00))
#define XSS_SR (XPAR_OPB_SPI_SLAVE_0_BASEADDR + (4* 0x01))
#define XSS_TD (XPAR_OPB_SPI_SLAVE_0_BASEADDR + (4* 0x02))
#define XSS_RD (XPAR_OPB_SPI_SLAVE_0_BASEADDR + (4* 0x03))
#define XSS_TX_THRESH (XPAR_OPB_SPI_SLAVE_0_BASEADDR + (4* 0x04))
#define XSS_RX_THRESH (XPAR_OPB_SPI_SLAVE_0_BASEADDR + (4* 0x05))
#define XSS_TX_DMA_CTL (XPAR_OPB_SPI_SLAVE_0_BASEADDR + (4* 0x06))
#define XSS_TX_DMA_ADR (XPAR_OPB_SPI_SLAVE_0_BASEADDR + (4* 0x07))
#define XSS_TX_DMA_NUM (XPAR_OPB_SPI_SLAVE_0_BASEADDR + (4* 0x08))
#define XSS_RX_DMA_CTL (XPAR_OPB_SPI_SLAVE_0_BASEADDR + (4* 0x09))
#define XSS_RX_DMA_ADR (XPAR_OPB_SPI_SLAVE_0_BASEADDR + (4* 0x0A))
#define XSS_RX_DMA_NUM (XPAR_OPB_SPI_SLAVE_0_BASEADDR + (4* 0x0B))

#define XSS_DGIE (XPAR_OPB_SPI_SLAVE_0_BASEADDR + (4* 0x10))
#define XSS_IPISR (XPAR_OPB_SPI_SLAVE_0_BASEADDR + (4* 0x11))
#define XSS_IPIER (XPAR_OPB_SPI_SLAVE_0_BASEADDR + (4* 0x12))

//XSS_SPI_CR
#define XSS_CR_SPE_MASK (0x01)
#define XSS_CR_TX_EN_MASK (0x02)
#define XSS_CR_RX_EN_MASK (0x04)
#define XSS_CR_RESET_MASK (0x08)

//XSS_SPI
// Transmit
#define XSS_SR_TX_PROG_FULL_MASK 0x0001
#define XSS_SR_TX_FULL_MASK 0x0002
#define XSS_SR_TX_OVERFLOW_MASK 0x0004
#define XSS_SR_TX_PROG_EMPTY_MASK 0x0008
#define XSS_SR_TX_EMPTY_MASK 0x0010
#define XSS_SR_TX_UNDERFLOW_MASK 0x0020
// Receive
#define XSS_SR_RX_PROG_FULL_MASK 0x0040
#define XSS_SR_RX_FULL_MASK 0x0080
#define XSS_SR_RX_OVERFLOW_MASK 0x0100
#define XSS_SR_RX_PROG_EMPTY_MASK 0x0200
#define XSS_SR_RX_EMPTY_MASK 0x0400
#define XSS_SR_RX_UNDERFLOW_MASK 0x0800
// Chip Select
#define XSS_SR_CHIP_SELECT_MASK 0x1000
// DMA
#define XSS_SR_TX_DMA_done 0x2000
#define XSS_SR_RX_DMA_done 0x4000

// Device Global Interrupt Enable
```

```
#define XSS_DGIE_Bit_Enable 0x0001

// Interrupt /Enable Status Register
#define XSS_ISR_Bit_TX_Prog_Empty 0x0001
#define XSS_ISR_Bit_TX_Empty      0x0002
#define XSS_ISR_Bit_TX_Underflow  0x0004
#define XSS_ISR_Bit_RX_Prog_Full  0x0008
#define XSS_ISR_Bit_RX_Full       0x0010
#define XSS_ISR_Bit_RX_Overflow   0x0020
#define XSS_ISR_Bit_SS_Fall       0x0040
#define XSS_ISR_Bit_SS_Rise       0x0080
#define XSS_ISR_Bit_TX_DMA_done  0x0100
#define XSS_ISR_Bit_RX_DMA_done  0x0200

// TX DMA Control Register
#define XSS_TX_DMA_CTL_EN 0x0001

// RX DMA Control Register
#define XSS_RX_DMA_CTL_EN 0x0001
```

6 Operations

7 Architecture

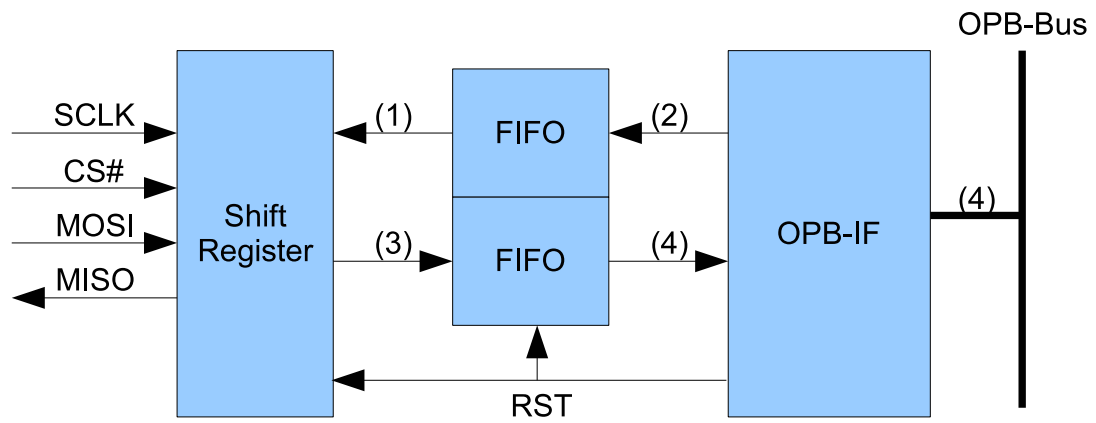


Figure 7.1: Blockdiagramm

List of Figures

7.1	Blockdiagramm	16
-----	-------------------------	----

List of Tables

2.1	Generics	4
3.1	external ports	5
4.1	Address-Map	6
4.2	SPLCR Register	6
4.3	SPLSR Register	7
4.4	TX_THRESH Register	8
4.5	RX_THRESH Register	8
4.6	TX_DMA_CTL Register	8
4.7	TX_DMA_ADDR Register	9
4.8	TX_DMA_NUM Register	9
4.9	RX_DMA_CTL Register	9
4.10	RX_DMA_ADDR Register	10
4.11	RX_DMA_NUM Register	10
4.12	IPISR Register	10
4.13	IPISE Register	11

