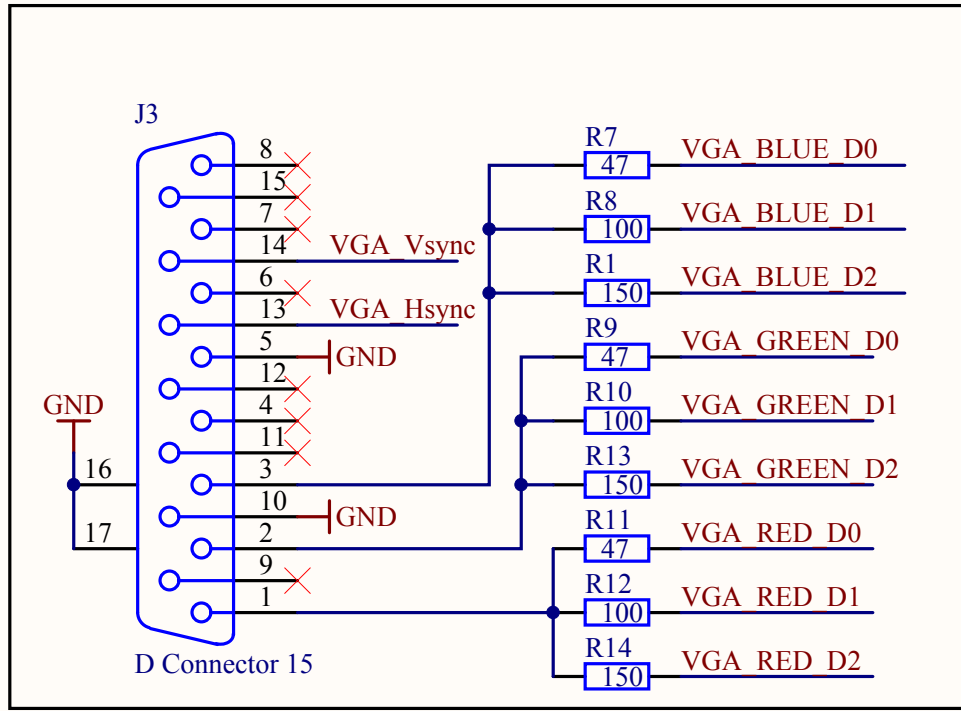
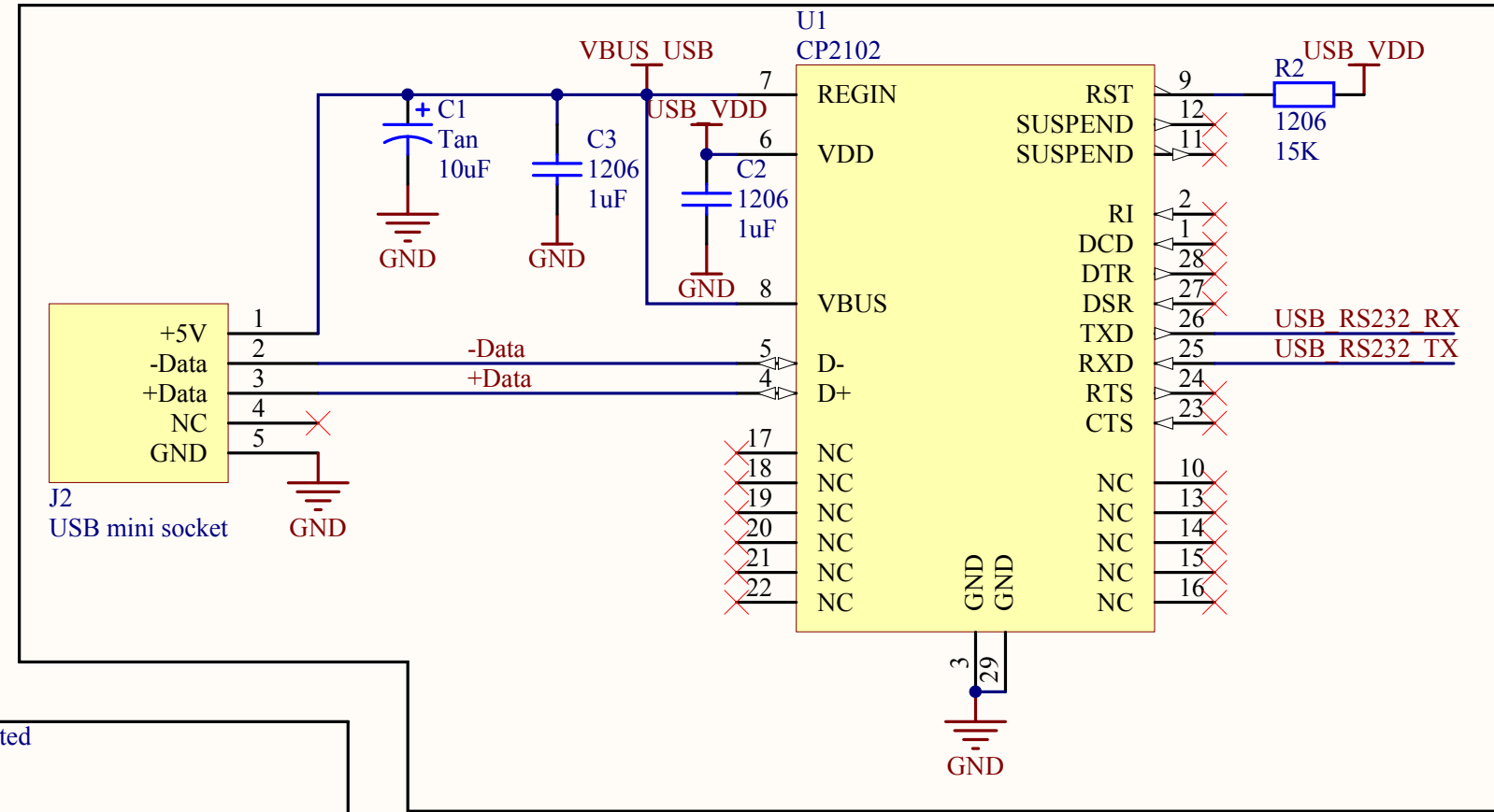


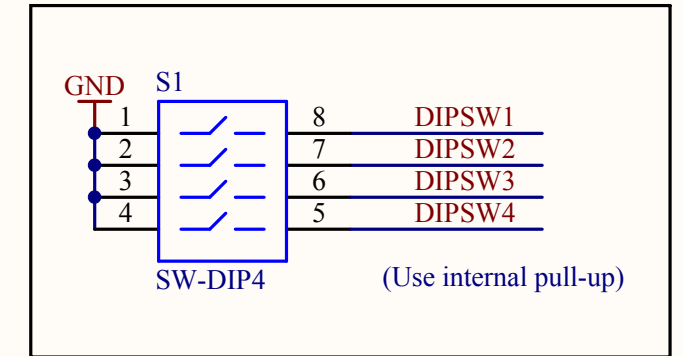
VGA



USB-RS232

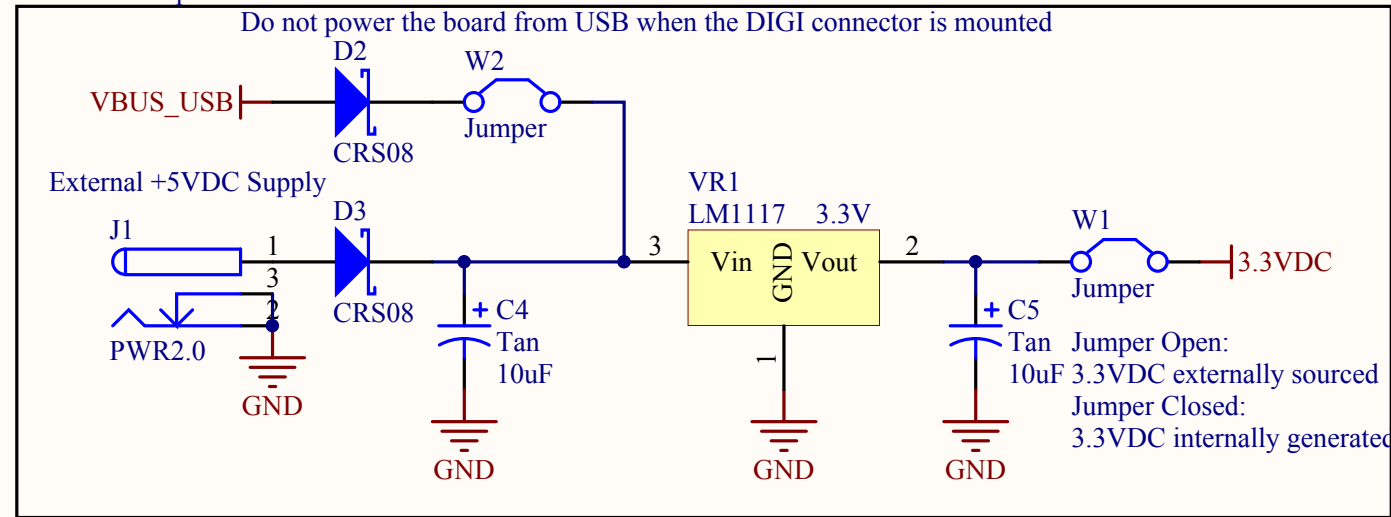


DIP SWITCH

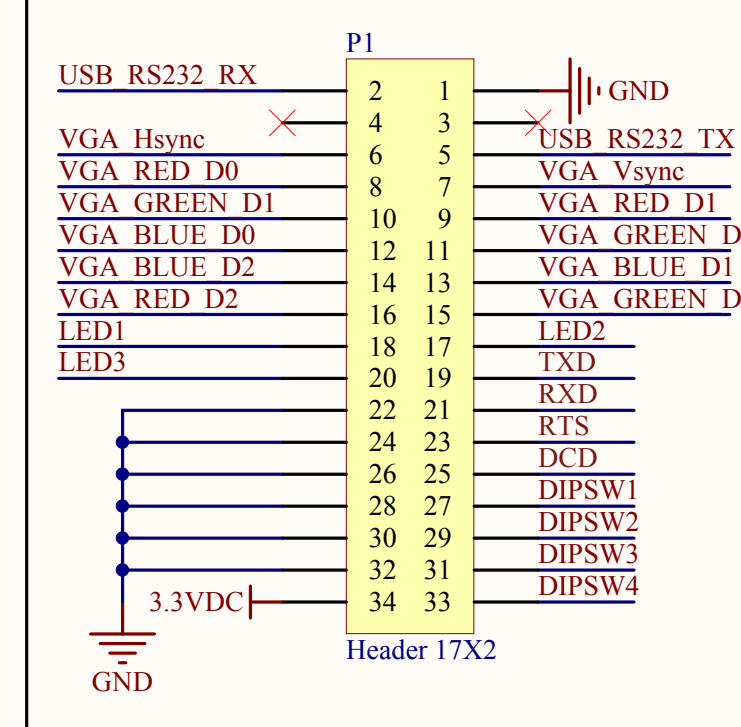


NET	FPGA PIN
USB RS232 RX	P125
USB RS232 TX	P127
VGA Hsync	P126
VGA Vsync	P130
VGA RED D0	P129
VGA RED D1	P132
VGA GREEN D1	P131
VGA GREEN D0	P4
VGA BLUE D0	P3
VGA BLUE D1	P6
VGA BLUE D2	P5
VGA GREEN D2	P8
VGA RED D2	P7
LED1	P10
LED2	P12
LED3	P13
TXD	P15
RXD	P16
RTS	P18
DCD	P19
DIPSW1	P20
DIPSW2	P21
DIPSW3	P24
DIPSW4	P25

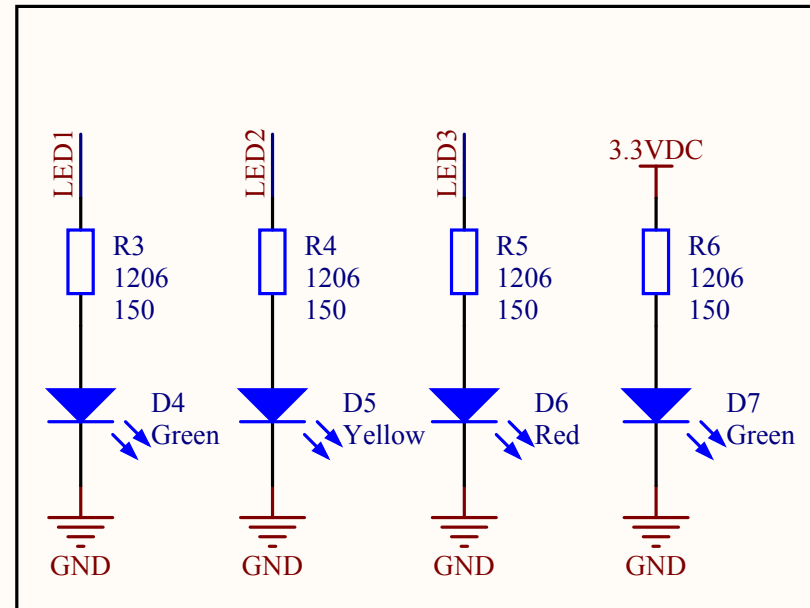
External +5V power



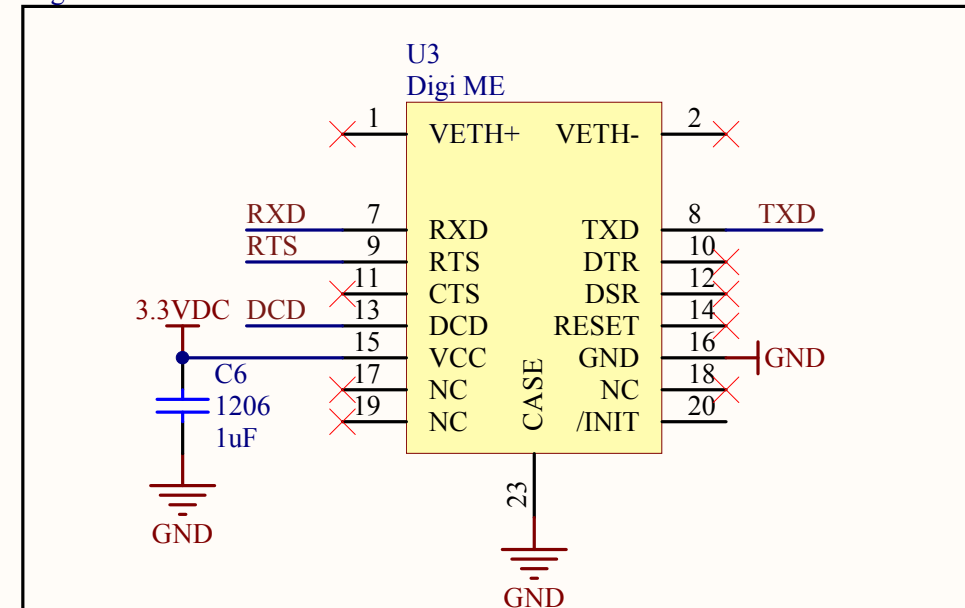
50AN FPGA BOARD CONNECTOR



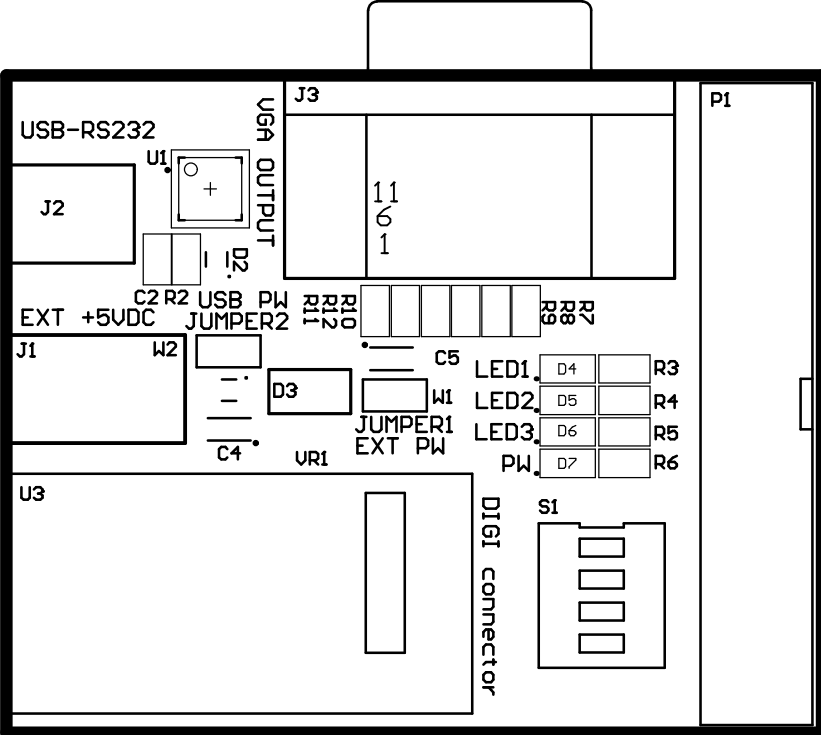
LEDS



Digi ME



Title			Digi, VGA, USB-RS232, EXT Supply		
Size	Number		Revision		
A4					
Date:	10-11-2009		Sheet of		
File:	C:\Documents and Settings\...50AN_DIGI_SchDoc		By: Caalb		



R1
R13
R14

C3		C1		•
----	--	----	--	---

C6

--

Value	Description	Designator	Footprint	LibRef	Quantity	Dist
150	Resistor	R1, R3, R4, R5, R6, R13, R14	1206R	Res2	7	Lager
100	Resistor	R8, R10, R12	1206R	Res2	3	Lager
47	Resistor	R7, R9, R11	1206R	Res2	3	Lager
15K	Resistor	R2	1206R	Res2	1	Lager
10uF	Polarized Capacitor (Radial)	C1, C4, C5	Tantal size A	Cap Pol1	3	Famell: 1658029
3.3V	800mA Low-Dropout Linear Regulator	VR1	SOT-223	LM1117	1	Famell: 7614123 / Digikey: LM1117MP-3.3CT-ND
1uF	Capacitor	C2, C3, C6	1206C	Cap	3	Lager
	Digi One ME connector	U3	Digi Connect ME	Digi ME	1	Lager
	DIP Switch	S1	DIP SW 4	SW-DIP4	1	Lager
	Green	D4, D7	LED1206G	LED0	2	Lager
	Header, 17-Pin, Dual row	P1	50AN HDR2X17	Header 17X2	1	Lager
	Jumper Wire	W1, W2	HDR1X2	Jumper	2	Lager
	Low Voltage Power Supply Connector	J1	DC FATN Ø2.0	PWR2.5	1	Lager
	Receptacle Assembly, 15 Position, Right Angle	J3	HDSUB 15	D Connector 15	1	Lager
	Red	D6	LED1206R	LED0	1	Lager
	Schottky Rectifier	D2, D3	CRS08	Diode 11DQ03	2	Famell: 1300796 / Digikey: CRS08QMCT-ND
	USB mini socket	J2	Mini USB SMD F:1243250	USB mini socket	1	Famell: 1243250
	USB-TO-UART BRIDGE	U1	MLP-28	CP2102	1	Famell: 9282130 / Digikey: 336-1160-ND
	Yellow	D5	LED1206Y	LED0	1	Lager