



A Pipelined RISC CPU

Aquarius

(SuperH-2 ISA Compatible CPU Core)

Thorn Aitch

Rev 1.1 July 21, 2003



OPENCORES.ORG

Copyright

Aquarius RTL codes and related documents are copyrighted by the author, but placed into the public domain.

Designs can be altered while keeping list of modifications "the same as in GNU" No money can be earned by selling the designs themselves, but anyone can get money by selling the implementation of the design, such as ICs based on some cores, boards based on some schematics or Layouts, and even GUI interfaces to text mode drivers. "The same as GPL SW" Any update to the design should be documented and returned to the design. Any derivative work based on the IP should be free under OpenIP License. Derivative work means any update, change or improvement on the design. Any work based on the design can be either made free under OpenIP license or protected by any other license. Work based on the design means any work uses the OpenIP Licensed core as a building block without changing anything on it with any other blocks to produce larger design. There is NO WARRANTY on the functionality or performance of the design on the real hardware implementation.

On the other hand, the SuperH-2 ISA (Instruction Set Architecture) executed by Aquarius is rigidly the property of Renesas Technology Corp., which has established on April 1st, 2003 by merging semiconductor groups of Hitachi and Mitsubishi. Then you have responsibility to judge if there are not any infringements to Renesas's rights regarding your Aquarius adoption into your design. By adopting Aquarius, the user assumes all responsibility for its use.

Trademark

Aquarius is a name of 5-stages pipelined RISC CPU core that can execute SuperH-2 ISA. Aquarius is not registered trademark. If you officially use the name of Aquarius to external world, you have responsibility to care the legal issues.

Royalty Release

I will not request you any royalties or other financial obligation for your Aquarius adoption to your design and production. But you have responsibility to judge the usage of SuperH-2 ISA, legally. I strongly recommend you should ask Renesas Technology Corp. when you

decide to adopt Aquarius into your products.

Patent Notice

I have not cared that the information contained in this document and Aquarius deliverables cause infringement on the patent, copyright, trademark or trade secret rights of others. You have all responsibilities for determining if your design and products infringe on the intellectual property rights of others.

Disclaimers

Aquarius deliverables including this document are not guaranteed. They may cause any damages to many things, for example, loss of properties, data, money, profits, life, or business. By adopting Aquarius, the user assumes all responsibility for its use. Aquarius deliverables are permanently preliminary, and is subject to change.

Contact to Author

After release of Aquarius onto the OpenCores Organization site, you will be able to contact me via the organization's site. The email address is thorn_aitch@opencores.org. If you find any bugs and strange descriptions, please feel free to inform me.

Trademark

SuperH™ is a trademark of Renesas Technology Corp.

Virtex™ is a trademark of Xilinx, Inc.

Stratix™ is a trademark of Altera, Corp.

Each another proper noun might be a trademark of each rights holders.

Revision History

Rev 0.1: May 1, 2003 by Thorn Aitch Draft

Drafting out a tentative document

Rev 1.0: July 12, 2003 by Thorn Aitch Release Version

A First Release Version

Rev 1.1: July 21, 2003 by Thorn Aitch Addition of an application

A Program for calculation of Circular Constant (Pi) is added.

Index

PART1. USING AQUARIUS.....	8
1. INTRODUCTION.....	9
1.1. WHAT IS AQUARIUS	9
1.2. PURPOSE OF THIS PROJECT.....	10
1.3. STRUCTURE OF CHAPTERS IN THIS DOCUMENT.....	11
2. SPECIFICATION OVERVIEW.....	12
2.1. AQUARIUS INSTRUCTION SET ARCHITECTURE	12
2.2. INTERRUPTS AND EXCEPTIONS.....	12
2.3. DIFFERENCES BETWEEN AQUARIUS AND SUPERH-2.....	13
2.4. AQUARIUS BLOCK DIAGRAM.....	14
2.5. EXAMPLES OF AQUARIUS BASED SoC.....	16
3. PREPARATION.....	18
3.1. PC ENVIRONMENT.....	18
3.2. CYGWIN	18
3.3. ICARUS VERILOG	18
3.4. GNU ASSEMBLER AND C COMPILER FOR SUPERH-2	18
3.5. FPGA DEVELOPMENT TOOL.....	20
3.6. FPGA BOARD.....	20
4. DELIVERABLES	21
4.1. DOCUMENT	21
4.2. RTL RESOURCES.....	21
4.3. VERIFICATION RESOURCES	23
4.4. FPGA RELATED RESOURCES	24
5. AQUARIUS CPU INTERFACE SPECIFICATION: “CPU.V”	26
5.1. AQUARIUS CPU IN/OUT SIGNALS	26
5.2. SYSTEM SIGNALS	26
5.3. “WISHBONE” COMPLIANT BUS SIGNALS	27
5.4. HARDWARE EVENT SIGNALS (INTERRUPT).....	30

5.5.	SLEEP SIGNAL FOR LOW POWER MODE.....	32
6.	SIMULATION TEST BENCH.....	34
6.1.	TOP LAYER: "TOP.V"	34
6.2.	SIMULATION TEST BENCH: "TEST.V"	34
6.3.	PARALLEL I/O PORT (PIO): "PIO.V"	34
6.4.	SERIAL I/O (UART): "UART.V"	37
6.5.	SYSTEM CONTROLLER (SYS): "SYS.V"	39
6.6.	ON CHIP MEMORY: "MEMORY.V"	42
6.7.	SIMULATION TOOLS AND FLOWS	43
7.	FPGA IMPLEMENTATION.....	45
7.1.	FPGA SYSTEM	45
7.2.	CIRCUIT OF FPGA BOARD	46
7.3.	CIRCUIT OF INTERFACE BOARD.....	46
7.4.	FPGA CONFIGURATION	49
7.5.	RESULTS OF FPGA CONFIGURATION	49
7.6.	APPLICATION PROGRAMS ON THE FPGA SYSTEM.....	51
PART2.	INSIDE AQUARIUS CPU.....	56
8.	AQUARIUS CPU OVERVIEW.....	57
8.1.	AQUARIUS BLOCK DIAGRAM.....	57
8.2.	AQUARIUS CPU IN/OUT SIGNALS	59
9.	OVERVIEW OF PIPELINE CONTROL.....	60
9.1.	PIPELINE AND STAGE	60
9.2.	PIPELINE OF EACH INSTRUCTION	61
9.3.	REGISTER CONFLICT.....	64
9.4.	MEMORY ACCESS CONFLICT.....	64
9.5.	WHO ISSUES IF? WHO ISSUES ID?.....	65
10.	DECODER UNIT	66
10.1.	IN/OUT SIGNALS	66

10.2.	STRUCTURE OF DECODER UNIT	68
10.3.	SHIFTING CONTROL SIGNALS.....	72
10.4.	PIPELINE STALL	74
10.5.	REGISTER FORWARDING	77
10.6.	EXAMPLES OF PIPELINE CONTROL.....	77
10.7.	CONTROL OF PROGRAM COUNTER	77
11.	MEMORY ACCESS CONTROL UNIT	82
11.1.	IN/OUT SIGNALS	82
11.2.	WISHBONE'S ACK AND AQUARIUS' SLOT	82
11.3.	INSTRUCTION FETCH CYCLE.....	83
11.4.	MEMORY ACCESS CYCLE.....	84
11.5.	IF-MA CONFLICT.....	86
11.6.	BUS WIDTH OF INSTRUCTION FETCH CYCLE (IF_WIDTH)	87
11.7.	READ MODIFY WRITE CYCLE (FOR INSTRUCTION TAS.B)	87
11.8.	STATE MACHINE OF MEMORY ACCESS CONTROL UNIT.....	88
12.	DATA PATH UNIT.....	90
12.1.	IN/OUT SIGNAL TABLE	90
12.2.	STRUCTURE OF DATA PATH.....	92
13.	MULTIPLIER UNIT	95
13.1.	IN/OUT SIGNAL TABLE	95
13.2.	ALGORITHM OF MULTIPLICATION	95
13.3.	STRUCTURE OF MULTIPLIER UNIT	98
13.4.	CONTROL OF MULTIPLICATION UNIT	99
13.5.	HOW TO IMPLEMENT SATURATING ACCUMULATION	100
14.	APPENDIX: AQUARIUS INSTRUCTION CODES	105

Part1. Using Aquarius

1. Introduction

1.1. What is Aquarius

Aquarius is a Core IP (Intellectual Property) of pipelined RISC CPU and can execute SuperH-2 instructions. Aquarius and related information are released to OpenCores Organization web site (www.opencores.org). You can freely download all necessary resources and latest updates from the site.

The reasons why I selected SuperH-2 ISA (Instruction Set Architecture) are as follows.

- (1) SuperH is a very popular CPU core. The software development environments such as C compiler have been well prepared. The GNU C compiler for SuperH is very famous and easy to get. The SuperH had been developed by Hitachi, Ltd. Now, semiconductor group of Hitachi has merged with same group of Mitsubishi and new semiconductor company "Renesas Technology Corp." has established in April, 2003.
- (2) SuperH-2 is a CPU for MCU (Micro Controller Unit). Then the CPU need not handle complex exception recovering such as memory fault exception from MMU (Memory Managing Unit). This means SuperH-2 has simple structure, easiness to design, and it does not consume many logic gates and power.
- (3) All SuperH-2 instructions have 16bit length. It also makes the hardware very simple. And most important aspect from 16bit fixed length of instructions is that the object code size compiled from C source programs becomes very small.
- (4) And, I love SuperH.

Aquarius is a free and completed soft IP. So I believe that Aquarius can increase SuperH-2 ISA familiars.

Aquarius consists of RTL descriptions. The language is Verilog-HDL. You can implement Aquarius not only in your System LSI but also in your FPGA system. The Aquarius bus interface follows WISHBONE specification maintained by the OpenCores Organization (www.opencores.org), so you can easily connect Aquarius to many IPs registered in OpenCores web site.

During my Aquarius design, I only referred public SuperH document from Renesas such as SH-2 Programming Manual. Of course I could not reach Renesas' internal design information, so the Aquarius may NOT have completely same functionality as real SuperH-2 CPU core, however, Aquarius can execute all public instructions of SuperH-2.

The functionality of Aquarius has been verified by both methods of functional vector simulation and long run tests on FPGA board using program codes from GNU C Compiler and Assembler.

I have designed Aquarius without consuming money except for FPGA hardware. I have used free simulation tools and free FPGA configuration tool. You also do not need to buy expensive EDA tools.

I am not an expert designer of CPU core, so the current Aquarius may not have the best performance. I think efficiency of the design such as area consumption and operation frequency can be improved much more. If you find some improvements, please feel free to suggest your ideas to me.

Please enjoy the exciting deep IP design world. You can modify Aquarius to make your original system. I hope Aquarius will help system designers, university students and electronics hobbyists.

1.2. Purpose of this Project

The main purpose of Aquarius Project is to provide everyone a pipelined RISC CPU core as one of the IPs for System LSI and FPGA system. You can get information about how to design actual useful RISC CPU.

The Aquarius has SuperH-2 compatible ISA, so I hope that SuperH familiarized people will increase more and more. Many embedded system, for example Robots, Industrial Systems, Measurement Instruments, and many kind of digital information systems controlled by embedded micro controllers, can be realized by SuperH-2 architecture.

I provide Aquarius without any license fee and royalty. You can freely get the latest

Aquarius IP codes from OpenCores Organization on the internet whenever you like. And I will introduce you the cheapest but excellent design environments via this document. You will be able to modify Aquarius and establish your original IP.

1.3. Structure of Chapters in this document

This document consists of 2 parts. The first part describes how to use Aquarius, for example, explanation of interface signals, test bench and FPGA implementation. All readers should read first part. The second part shows inside Aquarius which is way of thought for designing a pipelined RISC CPU. If you want to understand the apparatus of pipelined RISC CPU and want to design your original CPU core, you should read second part, too.

2. Specification Overview

2.1. Aquarius Instruction Set Architecture

Aquarius is based on SuperH-2 Instruction Set Architecture (ISA). The SuperH-2 CPU has RISC-type instruction sets and 16 32bit-general-registers (R0-R15). All instructions have 16bits fixed length. The SuperH-2 is based on 5 stages pipelined architecture, so basic instructions are executed in one clock cycle pitch, which dramatically improves instruction execution speed. The CPU also has an internal 32-bit architecture for enhanced data processing ability such as multiply and accumulation like DSP functionality.

The detail document of SuperH-2 CPU architecture can be found in Renesas web site.

<http://www.renesas.com/>

Please reach to the SuperH product page and find the SH-2 related product documents. Then search document type of “Programming Manual” and find the “*SuperH RISC Engine SH-1/SH-2/SH-DSP Programming Manual*”. This manual includes explanations among SH-1, SH2 and SH2-DSP Instruction set. Please check up only SH-2 portions from this manual. But it does not describe about exception and interrupt. For that information, pick up product manual such as “SH7040 series Hardware Manual” and refer to chapters regarding Exception and Interrupt Controller.

2.2. Interrupts and Exceptions

Like SuperH-2 CPU, Aquarius can handle interrupt requests, such as NMI (non maskable interrupt) and IRQ (interrupt request). The interrupt priority level can be set from 0 to 16. The interrupt request whose priority level is higher than I bit (I3-I0) in SR (Status Register) will accepted by CPU. The priority of NMI is 16, so it is always accepted. The priority level and the vector number of IRQ can be informed from external circuit such as interrupt controller or system controller. If the priority level is zero, such interrupt will not be accepted. Once the interrupt is accepted, the interrupt exception will start. It copies the interrupt request level to I bit (I3-I0) in SR ,push SR and PC onto stack, fetch the vector address and branch to targeting interrupt service routine. To return from interrupt service routine, use RTE, which pops PC and SR and starts from the address of popped PC.

By the 4 bit priority control scheme, the interrupt can be nested.

The other exceptions such as CPU address error, DMA address error, TRAP Instruction, Illegal Instruction, Slot Illegal Instruction, Manual Reset and Power on Reset are fully supported by Aquarius.

2.3. Differences between Aquarius and SuperH-2

Aquarius can execute all public SuperH-2 instructions. But there are some functional differences between Aquarius and real SuperH-2 CPU.

(1) Improvement of Multiplication Cycle

Table 2.1 shows that the execution cycle of the multiplication related instructions of Aquarius are slightly different from SuperH-2's because I guess the structure of connection between CPU and Multiplier is changed from real SuperH-2. You can find some performance is improved. Especially, the pitch cycle reduction of MAC.L will improve performance of many real time applications. The details of pipeline control will be shown in later chapter.

Instruction	Aquarius	SuperH-2	Notes
MAC.W @Rm+, @Rn+	C=2, P=2, L=3	C=2, P=2, L=2	
MAC.L @Rm+, @Rn+	C=2, P=2 , L=4	C=2, P=4 , L=4	
MULS/U.W Rm, Rn	C=1, P=1 , L=2	C=1, P=2 , L=2	
DMULS/U.L Rm, Rn	C=1, P=3 , L=2	C=1, P=4 , L=4	
MUL.L Rm, Rn	C=1, P=3 , L=2	C=1, P=4 , L=4	

C (Cycle): Instruction Execution Cycle if there is no contention. This is minimum cycle.

P (Pitch): Instruction Execution Pitch cycle if same instructions are repeated.

L (Latency): Latency cycle until STS, which is located just after me, and stores MACH/MACL to Rn.

Table2.1. Differences of Instruction Execution Cycles between Aquarius and SuperH-2

(2) Detection of Illegal Instruction

The real SuperH-2 decodes all illegal instructions. But in Aquarius, only the FF-line instructions (0xFFxx) are recognized as illegal instructions that bring up "Illegal Instruction Exception". Other "should-be illegal instructions" are not fully decoded, so these operations are seemed as "Undefined". Actually, the operation of undefined instructions will be just same as similar code's instruction. By this shortcut, the usage of area is reduced. Of course, the Slot Illegal Exception (in the case that a branch instruction placed at the

delay slot of delayed branch) is completely detected.

Even if you want Aquarius to detect all illegal instructions, you can easily modify the decode unit's RTL code.

(3) Instruction Codes for Exception

Some instructions in F-line (0xFxxx) are used for launching exceptions. These are shown in Tabel2.2, which are not defined in actual SuperH ISA. In the CPU decoder, the hardware event, for example interrupt, exchanges a fetched instruction to another code (in Table1.2) which launches exception, and then changes the control sequence from normal instruction's one to the exception's. If these instructions exist in program code, corresponding exception will start, but will not have correct operation, such as interrupt priority control. I recommend you not to write the Exception Launch Instructions in program code.

Instruction	Correct Code	Exception Sequence	Notes
0xF7xx	0xF700	Power On Rest	Lower 8bit is used as vector No.
0xF6xx	0xF602	Manual Reset	Lower 8bit is used as vector No.
0xF3xx	0xF30A	DMA Address Error	Lower 8bit is used as vector No.
0xF2xx	0xF209	CPU Address Error	Lower 8bit is used as vector No.
0xF1xx	0xF10B	NMI	Lower 8bit is used as vector No.
0xF0xx	0xF0xx	IRQ	Lower 8bit is used as vector No.
0xFF04	0xFF04	General Illegal	Lower 8bit is used as vector No.
0xFE06	0xFE06	SLOT Illegal	Lower 8bit is used as vector No.

Table2.2 Exception Launch Instruction

(4) ICE Support Instructions

Although the actual SuperH-2 may have dedicated instructions to support the ICE (in circuit emulator), Aquarius do not have, because those instructions are not released generally. In the test bench of Aquarius, I have implemented the "break" function by NMI (non maskable interrupt).

2.4. Aquarius Block Diagram

Figure 2.1 shows the block diagram of Aquarius CPU core.

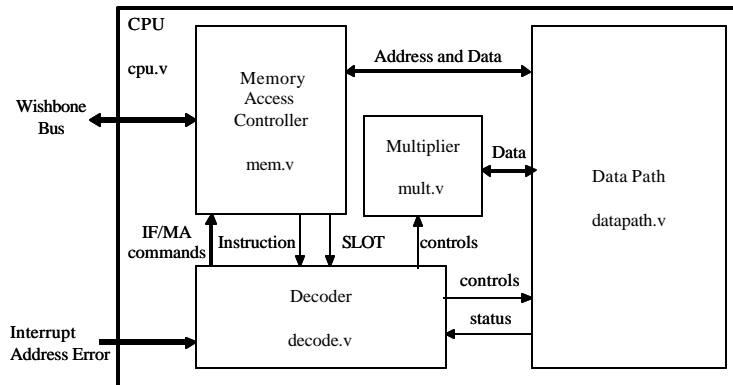


Figure2.1. Block Diagram of Aquarius

Top layer of Aquarius is “CPU” which has WISHBONE compliant bus signals and accepts interruption related signals. The most important system signals such as clock and reset are not shown in this figure.

The Memory Access Controller handles instruction fetch and data read/write access. The operations of Memory Access Controller are fully controlled by Decoder unit. Memory Access Controller sends fetched instruction bit fields to the Decoder unit, and interchanges read/write data and its address with Data Path unit. Aquarius assumes the Wishbone bus is a Non-Harvard bus, then the simultaneous instruction fetch and R/W data access makes bus contention. Memory Access Controller handles such contention smoothly and informs the pipeline stall caused by the bus contention to Decoder unit. Also, the Memory Access Controller can sense each boundary of bus cycles (with wait state) from WISHBONE ACK signal. In Aquarius architecture (may be in SuperH-2 architecture as well), such bus cycle boundary corresponds to the pipeline’s slot edge. So the Memory Access Controller produces the most important pipeline control signal “SLOT” indicating pipeline slot edge.

The Data Path unit has registers you can see in programmer’s model in SuperH-2 manual such as General Registers (R0 to R15), Status Register (SR), Global Base Register (GBR), Vector Base Register (VBR), Procedure Register (PR) and Program Counter (PC). The Multiplication and Accumulate Registers (MACH/MACL) are found in Multiplication unit. The Data Path unit also has necessity operation resources such as ALU (Arithmetic and Logical operation Unit), Shifter, Divider, Comparator, temporary registers, many selectors,

interfaces to/from Memory Access Controller and Multiply unit, and several buses to connect each resource. The Data Path is fully controlled by control signals from Decoder unit.

Multiply unit has a 32bit x 16bit multiplier and its control circuits. A 16bit x 16bit multiply operation is executed in one clock cycle. A 32 bit x 32bit multiply operation is done in two clock cycles. Multiply unit also has the Multiplier and Accumulate Registers (MACH/MACL). The MACH/MACL are not only the final result registers of multiply or multiply-and-accumulation but also the temporary registers to hold the 48bit partial multiply result from 32bit x 16bit multiplier for 32bit x 32bit operation. The multiply instruction, for example MULS.L, clears the contents of MACH/MACL in early stage of the instruction operation. However the multiply and accumulate instruction, for example MAC.L, does not clear MACH/MACL before the operation. The MAC.L accumulates its own partial multiply result to initial MACH/MACL and then finalize the operation result. The major difference between multiply (MULS.L) and “multiply and accumulate” (MAC.L) is whether to clear or not to clear the MACH/MACL before the operation. And also, for MAC.L and MAC.W instruction, the accumulation adder in this unit has saturating function.

The Decoder unit is the fundamental CPU controller. It orders Memory Access Controller fetch instructions and then receives the instruction. The Decoder Unit decodes the instruction bit fields and judges the followed operations. Basically, the Decoder unit plays the role only for the instruction ID stage. But it throws many control signals for following EX, MA and WB stages toward Data Path unit, Multiplication unit, and Memory Access Controller. These control signals are kept and shifted with its pipeline flow at each slot edge until reaching to the target stage of the instruction. The Decoder unit detects every conditions of pipeline stalling, and makes each unit of CPU be controlled properly. Also, it controls not only simple 1 cycle instructions but also multi cycle instructions and exception's sequences such as interrupt and address error.

Detailed design description of each unit is found in Part 2.

2.5. Examples of Aquarius based SoC

Figure 2.2 shows some examples of SoC using Aquarius.

- (1) It is a simple micro controller that has CPU, ROM, RAM and some peripherals. Each module is connected by a common Wishbone bus.
- (2) It is same as (1) except it has external bus interface. If the external bus interface is designed properly, it can be connected any memories such as ROM, Burst ROM, SRAM, SDRAM and, if you desire, DDR may be possible.
- (3) If the bus operation frequency is high (for example, over 100MHz), one common Wishbone bus will not catch up with the frequency because of heavy load. In such case, I recommend you to divide the internal bus into as least two, one is the fast speed bus with only CPU and internal fast memories, and the other one is slow speed bus with many slow peripheral modules and external memory interface.

I provide Aquarius deliverables not only as CPU core but also as MCU like (1), which has ROM, RAM, UART, PORT and System Controller (interrupt and exception controller) etc.

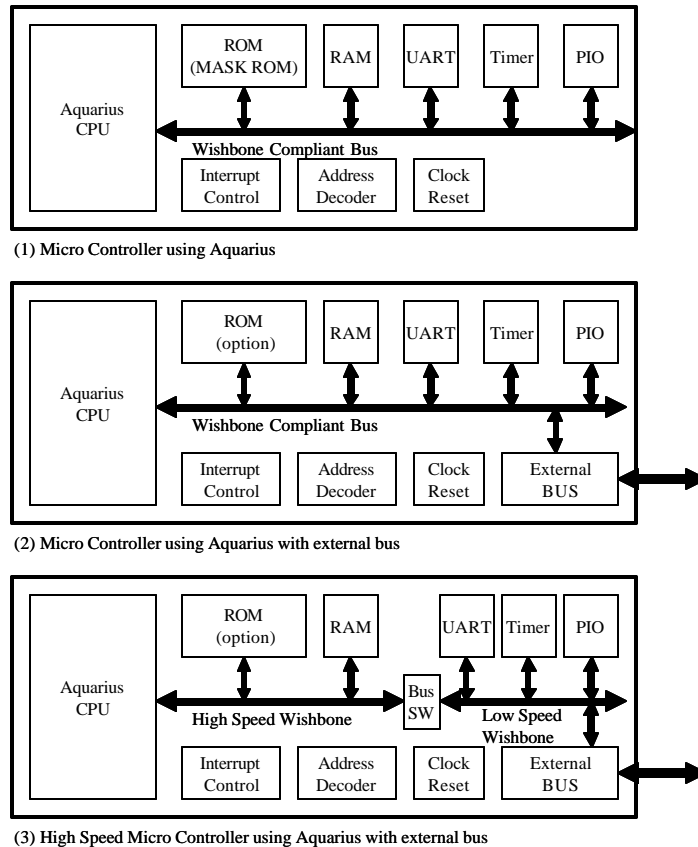


Figure2.2. Examples of System LSI using Aquarius

3. Preparation

This chapter describes my recommendations regarding necessary preparations before starting development. You do not need any expenses except PC environment and FPGA board.

3.1. PC environment

This is the most important tool. Any Windows machines are OK. I still use SONY VAIO Notebook PCG-R505FR/D with Mobile PentiumIII 800MHz, 256MB RAM, and Microsoft Windows XP. Even such machine has enough power to design Aquarius. Of course, you need broadband internet connection such as xDSL to download many required resources.

The reason why I use Windows machine instead of Linux machine is that the most “free” FPGA development tools from FPGA vendors such as Xilinx and Altera run on only Windows environment.

3.2. Cygwin

The simulator of Verilog-HDL codes and the compiler/assembler of SuperH-2 run on the UNIX environment. In order all tools to live together in Windows environment, the Cygwin is a good selection. Download the latest Cygwin system from <http://www.cygwin.com>, and full-install to your PC according to its instructions. After the Cygwin installation, many UNIX/Linux applications and all Windows applications simultaneously run on your PC without circumstances.

3.3. Icarus Verilog

I think the most excellent free Verilog simulator is Icarus Verilog. Download Icarus from <http://www.icarus.com/eda/verilog/index.html> and install it from Cygwin console window according to Icarus’s installation document. If you have installed Cygwin with full packages, you will not encounter any problems.

3.4. GNU Assembler and C Compiler for SuperH-2

To make verification program and to develop application program, the SuperH-2 assembler and compiler are necessary for you. Install them as follows.

(1) Download following files from <ftp://ftp.gnu.org/pub/gnu/>

```
binutils-2.13.1.tar.gz
```

```
gcc-2.95.3.tar.gz
```

```
gdb-5.2.1.tar.gz
```

(2) Download following file from <http://sources.redhat.com/newlib/>

```
newlib-1.10.0.tar.gz
```

(3) Place these 4 files under /usr/local/src.

(4) Install GNU binutils.

```
cd /usr/local/src
```

```
gzip -dc binutils-2.13.1.tar.gz | tar xvf -
```

```
cd binutils-2.13.1
```

```
mkdir work
```

```
cd work
```

```
../configure --prefix=/usr/local --target=sh-elf
```

```
make
```

```
make install
```

(5) Install GNU gcc and newlib.

```
cd /usr/local/src
```

```
gzip -dc newlib-1.10.0.tar.gz | tar xvf -
```

```
gzip -dc gcc-2.95.3.tar.gz | tar xvf -
```

```
cd gcc-2.95.3
```

```
ln -s ../newlib-1.10.0/newlib .
```

```
mkdir work
```

```
cd work
```

```
../configure --prefix=/usr/local --target=sh-elf --with-gnu-as  
--with-gnu-ld --with-dwarf2 --disable-multilib --enable-languages=c  
--with-newlib
```

```
make
```

```
make install
```

(6) Install GNU gdb.

```
cd /usr/local/src
```

```
gzip -dc gdb-5.2.1.tar.gz | tar xvf -
```

```
cd gdb-5.2.1
mkdir work
cd work
./configure --prefix=/usr/local --target=sh-elf
make
make install
```

3.5. FPGA development tool

To implement your design to FPGA, you need FPGA development tool. The FPGA vendors release excellent free development tool which has editor, logic synthesizer, static timing analyzer, placer & router and configuration binary generator. In Aquarius project, I have been using Xilinx free ISE Webpack 5.x. Download it from following URL site and install it on your Windows environment. It has a nice Verilog syntax editor, so I have mainly used the editor in “Project Navigator” of ISE during Aquarius development.

http://www.xilinx.com/xlnx/xil_prodcat_landingpage.jsp?title=ISE+WebPack

3.6. FPGA Board

To verify the logic design, implementing it to FPGA device is very good method. The FPGA plays a role as a hardware logic emulator, so the verification speed is much faster than vector logic simulation. And the CPU in FPGA can execute very large and long program quickly, so the verification quality will be improved.

I bought a board which has Xilinx VirtexE-300 (XCV300E). In my case, the board vendor name is HuMANDATA Ltd, and the product name is XSP-009-300. The site is <http://www.hdl.co.jp/> which unfortunately has only Japanese description. But this company opens their technical documents regarding the products on their site, freely.

You can find the board schematic, which can be read even by non-Japanese people, from <http://www.hdl.co.jp/ftpdata/xsp-009/XSP009.sch.pdf>.

I think you can find another good FPGA boards from many vendors around you. Or if you can get FPGA device, making a board by “DIY” is a good choice.

I added some external circuit such as LCD display, Hex Key board and I/F to RS232C to above board to make the verification be smooth. The detail circuit is described later.

4. Deliverables

This chapter shows the all deliverables of Aquarius project.

4.1. Document

Aquarius.pdf : this document (Adobe Acrobat Reader)

Aquarius.doc : this document (Microsoft Word)

4.2. RTL Resources

Verilog –HDL (RTL) of Aquarius CPU and its test bench

The set of RTL codes of Aquarius includes not only CPU RTL but also Simple MCU RTL that comprises CPU, ROM, RAM, PIO, UART and System Controller. The RTL codes except CPU are used as test bench of CPU. Of course, you can implement all RTL codes into your FPGA, and verify it much more efficiently like as I did. Figure 3.1 shows RTL structure of Aquarius MCU.

Test Bench comprises...

timescale.v	Timescale definition. All files include me.
test.v	Test Bench
top.v	Top layer of MCU

MCUcomprises...

top.v	Top layer of MCU
pio.v	Parallel IN/OUT Interface
memory.v	ROM(8KB) and RAM(8KB) for Verilog simulation. ROM can be initialized from S-format binary code.
rom.v	ROM description created by a converter from S-format.
memory_fpga.v	“memory.v” for Xilinx FPGA’s configuration (BlockRAM) All area (16KB) can be initialized by INIT constraints.
uart.v	UART (Universal Asynchronous Receiver/Transmitter)
sasc_brg.v	Baud Rate Generator
sasc_top.v	UART Body
sasc_fifo4.v	4 step FIFO for UART Buffer

sys.v System Controller that handles interrupts and exceptions
 lib.v A clock stop gate (SLEEP instruction) for Verilog sim.
 lib_fpga.v “lib.v” for Xilinx FPGA configuration
 cpu.v Top layer of CPU (Aquarius)

Aquarius CPU comprises...

cpu.v Top layer of CPU (Aquarius)
 datapath.v Data Path
 register.v General Registers R0-R15
 decode.v Instruction Decoder
 mem.v Memory Access Controller
 mult.v Multiplier
 defines.v Constant Parameters referred from CPU

The UART is based on the “Simple Asynchronous Serial Communication Device created by Rudolf Usselmann” downloaded from <http://www.opencores.org/cores/sasc/>.

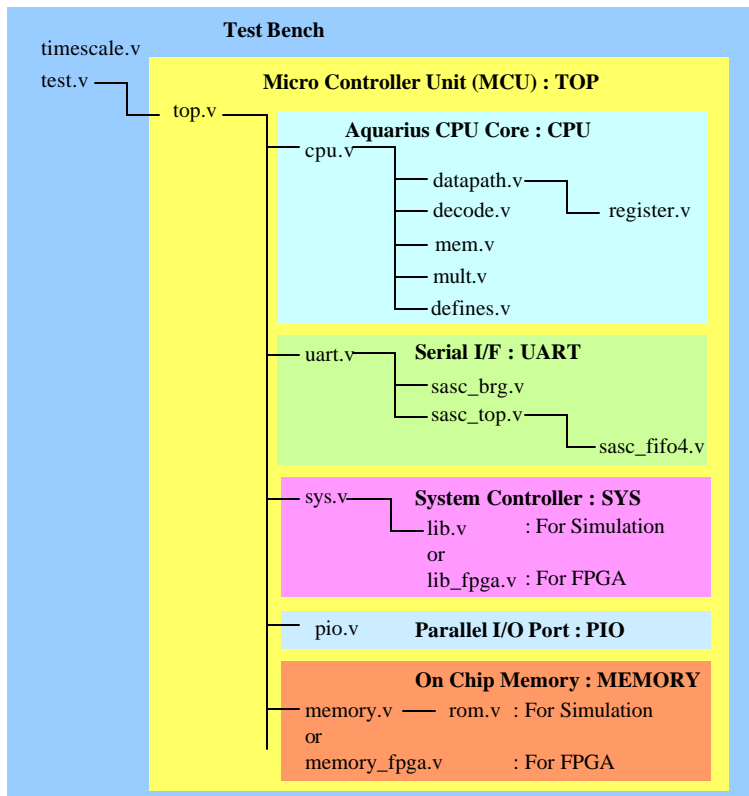


Figure 3.1 RTL Structure

4.3. Verification Resources

I also provide simple but useful resources for logic verification and program development.

(1) Assembler Source Programs for Verilog simulation

I provide some example programs for Verilog simulation. You can find them under the directory “sha_testsource”.

(2) Converter from S-format object to Verilog ROM description “rom.v”

The assembler can make S-format object. But it should be linked to Aquarius Verilog test bench. I made a simple binary converter from S-format to Verilog ROM description “rom.v”. This converter is “genrom.c” which is C source program. Compile it on your Cygwin console. Simply, do this.

```
$ gcc -o genrom.exe genrom.c
```

The usage is very simple. If your S-format binary name is “test.obj”, you can convert it to Verilog ROM description by typing as follows.

```
$ ./genrom test.obj
```

This operation creates “rom.v”, which is an 8Kbyte ROM.

Note that the “genrom” supports the S-Format which has only S0 (comment), S3 (4byte address) and S7 (end of record).

(3) Script to launch Assembler

The script named “asm” launches the GNU assembler, creates object code as an S-format file, and converts the S-Format object to a Verilog ROM description “rom.v”. The “asm” is very short script as follows.

```
#!/bin/bash

sh-elf-as -a $1 > lis
sh-elf-as -o a.out $1
sh-elf-objcopy -O srec --srec-forceS3 a.out obj
./genrom obj
```

The usage is also simple. If you have assemble source program named “test.src”, simply

type as follows.

```
$ ./asm test.src
```

This operation creates Verilog ROM description “rom.v” corresponding to “test.src”.

(4) Script to launch Verilog Simulation

After creating “rom.v”, now you can simulate Aquarius. First of all, prepare a text file “test.txt” that lists up all Verilog source files.

The script named “sim” launches the Icarus Verilog Simulator. The “sim” is very short script as follows.

```
#!/bin/bash

iverilog -o test -c test.txt
vvp -v test
```

By the Aquarius test bench “test.v”, the simulation results is created as “test_result.txt” which is a trace list of bus cycle and important register contents.

4.4. FPGA related Resources

To implement Aquarius into Xilinx VirtexE, I have prepared some resources.

(1) Converter from S-format object to Xilinx BlockRAM INIT Constraints

In case of FPGA implementation, ROM should be configured by BlockRAM instead of “rom.v”, which is described by continuous “case” statements, to reduce the consumption of logic cells. The BlockRAM can be initialized by INIT statement in user constraints file (.ucf). So I made a converter from S-format object to INIT statement.

The converter is “genram.c”, which is also a C program, then compile it on your Cygwin console.

```
$ gcc -o genram.exe genram.c
```

The usage is very simple. If your S-format binary name is “test.obj”, you can convert it to INIT description by typing as follows.

```
$ ./genram test.obj
```

This operation creates “ram.dat”, which is 16Kbyte BlockRAM initialization.

The content of “ram.dat” is as follows.

```
INST "MEMORY_Mram_RAM0HH_inst_ramb_0" INIT_00 = 0000000000000000...;
INST "MEMORY_Mram_RAM0HH_inst_ramb_0" INIT_01 = 0000000000000000...;
INST "MEMORY_Mram_RAM0HH_inst_ramb_0" INIT_02 = 2121212121212121...;
INST "MEMORY_Mram_RAM0HH_inst_ramb_0" INIT_03 = 6765636100D02F2F...;
```

After creating “ram.dat”, add this content after the tail of your user constraints file (.ucf), or change all old INST statement. Then, configure your FPGA.

(2) An example of User Constraints File (.ucf)

I provide an example of user constraints file (top.ucf) which corresponds to my FPGA system described later.

(3) Some Applications for FPGA System

Following application programs are provided.

Monitor Program	shc_monitor_release_v1/
LCD Test	shc_lcdtest/
Interrupt! Clock	shc_clock/
Calculation of Pi	shc_pi/

Details are described later (FPGA Implementation)

5. Aquarius CPU Interface Specification: “cpu.v”

5.1. Aquarius CPU IN/OUT Signals

The Aquarius CPU (“cpu.v”)’s IN/OUT signals are shown in Table5.1. In Aquarius CPU logic circuit, all signals are positive logic level and the changing timing is always at positive edge of CLK.

<i>Class</i>	<i>Signal Name</i>	<i>Direction</i>	<i>Meaning</i>	<i>Notes</i>
System	CLK	Input	System clock	
Signals	RST	Input	Power On Reset	
Wishbone	CYC_O	Output	Cycle Output	
Bus	STB_O	Output	Strobe Output	
Signals	ACK_I	Input	Device Acknowledge	
	ADR_O[31:0]	Output	Address Output	
	DAT_I[31:0]	Input	Read Data	
	DAT_O[31:0]	Output	Write Data	
	WE_O	Output	Write Enable	
	SEL_O[3:0]	Output	Byte Lane Select	
	TAG0_I (IF_WIDTH)	Input	Fetch Width	
Hardware	EVENT_REQ_I[2:0]	Input	Event Request	
Event	EVENT_INFO_I[11:0]	Input	Event Information	
(interrupt)	EVENT_ACK_O	Output	Event Acknowledge	
SLEEP	SLP	Output	Sleep Pulse	

Table5.1 Aquarius CPU IN/OUT Signals

5.2. System Signals

(1) CLK

The clock input [CLK] coordinates all activities for the internal logic within the WISHBONE interconnect. All output signals are registered at the rising edge of [CLK]. All input signals are stable before the rising edge of [CLK].

(2) RST

The reset input [RST] forces the WISHBONE interface to restart. Furthermore, all internal

state machines are forced into an initial state.

When system power-on (cold start), [RST] should be asserted at least for 1 cycle. The Aquarius CPU senses [RST] asynchronously, so any glitch pulse should not be overlaid on [RST] signal. Aquarius Flip Flops are written as follows.

```
always @(posedge CLK or posedge RST)
{
    if (RST)
    {
    }
    else
    {
    }
}
```

If your in-house design rule inhibits asynchronous reset at Flip Flops, you can rewrite RTL codes of Aquarius as follows. Aquarius CPU can operate in synchronous reset manner.

```
always @(posedge CLK)
{
    if (RST)
    {
    }
    else
    {
    }
}
```

5.3. “WISHBONE” Compliant Bus Signals

The bus specification of Aquarius CPU is based on WISHBONE classic bus. It follows “Specification for the WISHBONE System-on-Chip (SoC) Interconnection Architecture for Portable IP Cores Revision: B.3, Released: September 7, 2002”. The detail specification document is found in the OpenCores site.

(1) CYC_O

The cycle output [CYC_O], when asserted, indicates that a valid bus cycle is in progress.

The signal is asserted for the duration of all bus cycles. For example, during a Read Modify Write cycle caused by TAS.B (test and set instruction for semaphore protocol), there are two data transfers. The [CYC_O] signal is asserted during the first data read, and remains its assertion until the last data write. The [CYC_O] signal is useful for bus arbiter to prevent exchanging the current bus master to another device such as DMA controller during the TAS.B read modify write cycle.

(2) STB_O

The strobe output [STB_O] indicates a valid data transfer cycle. It is used to qualify various other signals on the interface such as [SEL_O]. The SLAVE module asserts either the [ACK_I] signals in response to every assertion of the [STB_O] signal.

(3) ACK_I

The acknowledge input [ACK_I], when asserted, indicates the normal termination of a bus cycle. The [ACK_I] creates CPU internal signal "SLOT" to indicate the edge of pipeline slot.

(4) ADR_O[31:0]

The address output array [ADR_O] is used to pass a binary address.

(5) DAT_I[31:0]

The data input array [DAT_I] is used to read binary data from external devices such as ROM, RAM and peripheral modules.

(6) DAT_O[31:0]

The data output array [DAT_O] is used to write binary data to external devices such as RAM and peripheral modules.

(7) WE_O

The write enable output [WE_O] indicates whether the current local bus cycle is a READ or WRITE cycle. The signal is negated during READ cycles, and is asserted during WRITE cycles.

(8) SEL_O[3:0]

The select output array [SEL_O] indicates where valid data is expected on the [DAT_I] signal array during READ cycles, and where it is placed on the [DAT_O] signal array during WRITE cycles. The minimum data granularity size is BYTE, so each SEL_O corresponds to each byte lane. The data alignment position is described in detail later.

(9) TAG0_I (IF_WIDTH)

All SuperH-2 instruction has 16bit length. The memory such as ROM and RAM connected to Aquarius CPU has 32bit data width. So, when CPU fetches its instruction from 32bit width memory, CPU can get 2 instructions. But if the device data width is 16bit, only one instruction can be sent to CPU at once fetch cycle. Latter case may happen when CPU fetches its instruction from 16bit width external bus, for example.

Therefore, WISHBONE glue logic must inform CPU the instruction fetch space's width.

If the address space is 32bit width, WISHBONE should return IF_WIDTH=1, else should return IF_WIDTH=0 before ACK_I signal is asserted.

If CPU fetches instruction from address 0x2, 0x6, 0xa, 0xe, CPU can get only 1 instruction by the fetch cycle. But CPU knows such status, so WISHBONE need not check such case. The WISHBONE glue logic should care only the instruction sending band width that is the data width of accessing address space.

In other words, in case of instruction fetch, IF_WIDTH has its meaning only when lower 2bit of address is 2'b00. The IF_WIDTH informs CPU how many instructions should be fetched. But if the lower 2bit of address is 2'b10, CPU can get only one instruction regardless IF_WIDTH. In latter case, CPU ignores the IF_WIDTH.

[CAUTION] Aquarius CPU assumes that the internal bus width is always 32bit. If you connect the internal WISHBONE to 16bit/8bit external bus or peripheral modules, some glue bus control logic should be created to convert internal 32bit data to/from 8bit/6bit data with proper wait timing controls.

(10) Data Alignment Position

Aquarius CPU is big-endian. The data width is 32 bit, memory data access granularity is byte, and instruction fetch granularity is 16 bit.

Table5.2 shows the data alignment position on WISHBONE data bus for each access.

In WISHBONE specification data sheet, 32bit operand size is called as "DWORD", but in

SuperH and Aquarius world, 32bit is called as “Long” or “Long Word”.

Note that in case of write operation, the unselected lanes have same write data as valid lane’s one. For example, in WORD writing to address 2(2’b10), the valid lane is bit15-0, but bit31-16 of DAT_O has same data as bit15-0.

Access Type		Lane	Lane	Lane	Lane	Notes
Size	Address	[31:24]	[23:16]	[15:8]	[7:0]	
	Lower	SEL [3]	SEL[2]	SEL[1]	SEL[0]	
	2bit					
Data Read Long	2’b00	D[31:24]	D[23:16]	D[15:8]	D[7:0]	
Data Read Word	2’b00	D[15:8]	D[7:0]	ignored	ignored	
	2’b10	Ignored	ignored	D[15:8]	D[7:0]	
Data Read Byte	2’b00	D[7:0]	ignored	ignored	ignored	DAT_I
	2’b01	Ignored	D[7:0]	ignored	ignored	
	2’b10	Ignored	ignored	D[7:0]	ignored	
	2’b11	Ignored	ignored	ignored	D[7:0]	
Data Write Long	2’b00	D[31:24]	D[23:16]	D[15:8]	D[7:0]	
Data Write Word	2’b00	D[15:8]	D[7:0]	D[15:8]	D[7:0]	
	2’b10	D[15:8]	D[7:0]	D[15:8]	D[7:0]	
Data Write Byte	2’b00	D[7:0]	D[7:0]	D[7:0]	D[7:0]	DAT_O
	2’b01	D[7:0]	D[7:0]	D[7:0]	D[7:0]	
	2’b10	D[7:0]	D[7:0]	D[7:0]	D[7:0]	
	2’b11	D[7:0]	D[7:0]	D[7:0]	D[7:0]	
Fetch IF_WIDTH=1	2’b00	I0[15:8]	I0[7:0]	I1[15:8]	I1[7:0]	
Fetch IF_WIDTH=0	2’b00	I[15:8]	I[7:0]	ignored	Ignored	DAT_I
Fetch IF_WIDTH=*	2’b10	ignored	ignored	I[15:8]	I[7:0]	

 : Corresponding SEL_O[n] is asserted.

Table5.2 Data Alignment Position

5.4. Hardware Event Signals (Interrupt)

CPU should accept some requests from hardware events such as interrupt, address error and manual reset. These requests are informed to CPU by EVENT_REQ[2:0] associated

with EVENT_INFO[11:0]. The EVENT_REQ[2:0] shows the kind of event request. The meanings are shown in Table5.3. In case of IRQ request, EVENT_INFO[11:0] should also be valid. The upper 4bit of EVENT_INFO shows the priority level of the requesting IRQ, and the lower 8bit of EVENT_INFO shows its vector No. The vector address of IRQ equals to EVENT_INFO[7:0] * 4. Also see Table5.4.

The EVENT_REQ and EVENT_INFO should be asserted and be valid at same timing. CPU samples them at same timing (at the decode stage of pipeline). If the EVENT_REQ do not show IRQ request, CPU ignores the EVENT_INFO. After CPU samples the EVENT_REQ (and EVENT_INFO), CPU asserts EVENT_ACK, which shows that the CPU accepts the hardware event request that is valid just at when EVENT_ACK is being asserted. The EVENT_REQ should be negated or should be change to next request just after EVENT_ACK is asserted.

If the event can not be accepted by CPU; that happens in case of lower priority IRQ than I-bit in SR, interrupt request just after the instruction that masks interrupt (for example LDC/LDC.L), or all hardware exception events just after delayed branch instruction; the EVENT_ACK is not asserted until the request signals can be accepted by CPU. Of course, if the event request is negated before CPU's sampling, the event request can not be accepted by CPU. The hardware event request timing is shown in Figure5.1 with internal pipeline controls.

Hardware Event	EVENT_REQ[2:0]	Notes
NOP	3'b111	
IRQ	3'b000	Also use EVENT_INFO[11:0]
NMI	3'b001	
CPU Address Error	3'b010	
DMA Address Error	3'b011	
Manual Reset	3'b110	

Table5.3 Hardware Event Request Signal: EVENT_REQ[2:0]

Hardware Event Information	Meaning	Notes
EVENT_INFO[11:8]	Priority level of requesting IRQ (4bit)	
EVENT_INFO[7:0]	Vector No. of requesting IRQ (8bit)	

Table5.4 Hardware Event Information: EVENT_INFO[11:0]

The priority among hardware exceptions should be determined by external circuits, which generates EVENT_REQ and EVENT_INFO. In SuperH-2 products, the priority order of exceptions is as follows.

- 1st: Power On Reset (Triggered by RST signal.)
- 2nd: Manual Reset
- 3rd: CPU/DMA Address Error
- 4th: NMI
- 5th: IRQ

The exceptions caused by instruction (Illegal, Slot-Illegal and Trap) have the lowest priority, but the external circuits need not to care, because the decoder unit in CPU detects them.

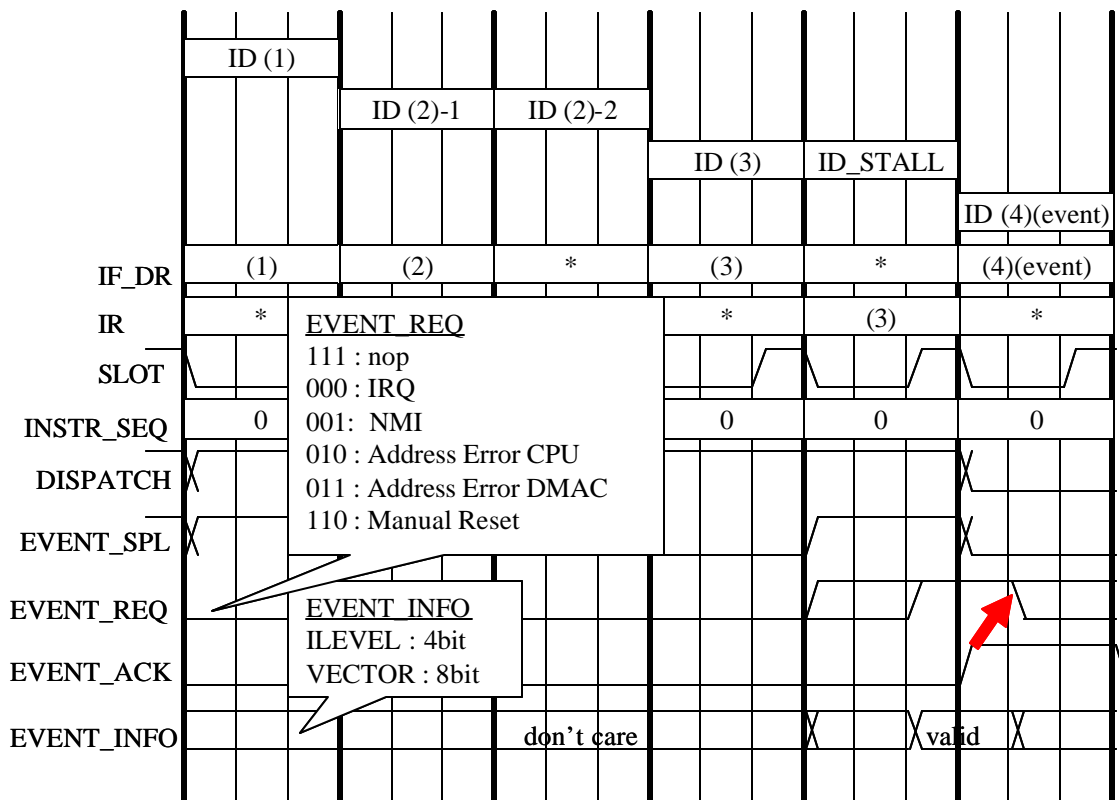


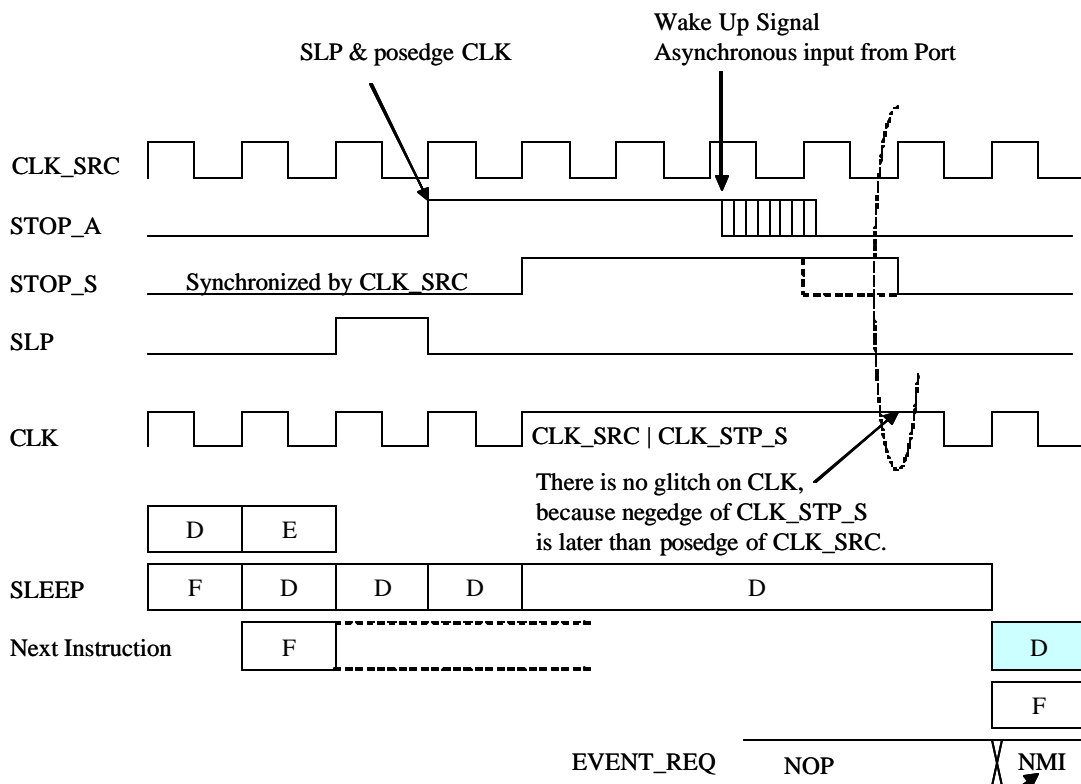
Figure5.1 Hardware Event Request and Sampling Timing

5.5. SLEEP signal for Low Power Mode

The SLP output is asserted by SLEEP instruction. The chip can stop its clock by SLP signal and can go to low power mode, if you desire.

The SLEEP timing is shown in Figure5.2. The CLK_SRC is an original clock generated by, for example, XTAL oscillator. The CLK is made from CLK_SRC by a gating logic and the CLK stops during SLEEP state. Of course you can stop CLK_SRC by similar method (But, to wake up CLK_SRC, you may need some delay timer to wait for the stable XTAL oscillation.) And by some wakeup signal such as NMI, the CLK is waked up. At the wakeup timing, if CPU finds a hardware event request, corresponding exception starts. Or, if there is no hardware event, the program starts from next instruction of SLEEP.

The actual low power mode should be implemented by whole chip designer. The Aquarius test bench includes very simple low power control logic, for your reference.



If you prepare the EVENT_REQ at this slot, the next instruction of SLEEP is exchanged to the event sequence.

If not, the next instruction of SLEEP continues its operation, after the CLK wakes up. Even in latter case, if you place the opcode for NMI-emulation as the next instruction, you can get desired exception sequence only by the wake-up operation.

Figure5.2 SLEEP and Low Power Timing

6. Simulation Test Bench

This chapter describes the Aquarius test bench structure for the verification by the method of vector logic simulation.

6.1. Top Layer: “top.v”

As shown in Figure3.1, “top.v” is the top layer of Aquarius MCU. It combines among CPU, UART, System Controller, Parallel Port, and on chip memories.

In this chapter, “memory.v” and “lib.v” are assumed to be used, instead of “memory_fpga.v” and “lib_fpga.v”.

The system address map is shown in Table6.1. The “memory.v” has 8KB ROM (“rom.v”) and 8KB RAM. All CPU instruction should be verified in various memory access cycle and instruction fetch size. So, the memory access cycle and instruction fetch width are determined by its address; i.e. WISHBONE ACK and TAG0_I(IF_WIDTH) are generated in “top.v”.

The peripheral devices such as PIO, UART and SYS are located in 0xABCDxxxx area.

The top layer’s IN/OUT signals are shown in Table6.2. These signals correspond with author’s FPGA configuration. There are several LCD and KEY control signals from PIO module, and UART signals. See later chapter for detail FPGA board circuit.

6.2. Simulation Test Bench: “test.v”

The “test.v” is a test bench for Verilog simulation. It creates clock and some input signals (stimuli). Also it generate trace list file as a simulation result named “test_result.txt”. For your own simulation, please modify “test.v”. When you simulate instructions of CPU by Verilog logic simulator, you need not care the operations of LCD, KEY and UART interfaces. You should care only bus transaction, register contents and signal levels and timings, etc. in case that your viewpoint of simulation is in Aquarius CPU operation.

6.3. Parallel I/O Port (PIO): “pio.v”

Parallel I/O Port (PIO) “pio.v” IN/OUT signals are shown in Table6.3. PIO has 2 32bit registers to control Port Pins. Parallel I/O Port (PIO) Registers are shown in Figure6.1. There are 4 byte-size registers for PORT Output and 4 byte-size registers for PORT Input.

Both registers for PORT Input and PORT Output have same address. If you read each register, you can access PORT Input, and if you write to each register, you can access PORT Output.

Each register is located in side-by-side address, so they can be accessed by byte, word or long operand size. PORT Output registers are reset to 0x00 when power on reset.

Address	Device	Size	Access	IF Width	Notes
0x00000000-0x00001FFF	ROM	8KB	1cyc	32bit	A
0x00002000-0x00003FFF	RAM	8KB	1cyc	32bit	B
0x00004000-0x0000FFFF	Shadow of 0x00000000-0x00003FFF				
0x00010000-0x00011FFF	ROM	8KB	4cyc	32bit	Shadow of A
0x00012000-0x00013FFF	RAM	8KB	4cyc	32bit	Shadow of B
0x00014000-0x0001FFFF	Shadow of 0x00010000-0x00013FFF				
0x00020000-0x00021FFF	ROM	8KB	1cyc	16bit	Shadow of A
0x00022000-0x00023FFF	RAM	8KB	1cyc	16bit	Shadow of B
0x00024000-0x0002FFFF	Shadow of 0x00020000-0x00023FFF				
0x00030000-0x00031FFF	ROM	8KB	4cyc	16bit	Shadow of A
0x00032000-0x00033FFF	RAM	8KB	4cyc	16bit	Shadow of B
0x00034000-0x0003FFFF	Shadow of 0x00030000-0x00033FFF				
0x00040000-0xABCCFFFF	Shadow of 0x00000000-0x0003FFFF				
0xABCD0000-0xABCD00FF	PIO	256B	4cyc	32bit	
0xABCD0100-0xABCD01FF	UART	256B	4cyc	32bit	
0xABCD0200-0xABCD02FF	SYS	256B	4cyc	32bit	
0xABCD0300-0xFFFFFFFF	Shadow of 0x00000000-0x0003FFFF				

Table6.1 Address Map of the Test Bench

Class	Signal Name	Direction	Meaning	Notes
System	CLK_SRC	Input	System clock	
Signals	RST_n	Input	Power On Reset	Negated
Parallel	LCDRS	Output	LCD Register Select	PO[8]
I/O Port	LCDRW	Output	LCD Read/Write	PO[9]
	LCDE	Output	LCD Enable Signal	PO[10]
	LCDDBO[7:0]	Output	LCD Data Bus Output	PO[7:0]
	LCDDBI[7:0]	Input	LCD Data Bus Input	PI[7:0]
	KEYYO[4:0]	Output	KEY Matrix Y Output	PO[20:16]
	KEYXI[4:0]	Input	KEY Matrix X Input	PI[20:16]
UART	RXD	Input	Receive Serial Data	
	TXD	Output	Transmit Serial Data	
	CTS	Input	Clear To Send	
	RTS	Output	Request To Send	

Table6.2 Top Layer IN/OUT Signals

Class	Signal Name	Direction	Meaning	Notes
System	CLK	Input	System clock	
Signals	RST	Input	Power On Reset	
Wishbone	CE	Input	Chip Select (Module Select)	STB
Bus	WE	Input	Write Enable	
Signals	SEL[3:0]	Input	Byte Lane Select	
	DATI[31:0]	Input	Data Input (Write Data)	
	DATO[31:0]	Output	Data Output (Read Data)	
PORT	PI[31:0]	Input	Port Input	
	PO[31:0]	Output	Port Output	

Table6.3 Parallel I/O Port (PIO) Module IN/OUT Signals

[PORT Output] Address=0xABCD0000 W only reserved							
31(7)	30(6)	29(5)	28(4)	27(3)	26(2)	25(1)	24(0)
reserved	reserved	reserved	reserved	reserved	reserved	reserved	reserved
[PORT Output] Address=0xABCD0001 W only KEYYO (KEY Matrix Y-axis Output)							
23(7)	22(6)	21(5)	20(4)	19(3)	18(2)	17(1)	16(0)
reserved	reserved	reserved	KY4	KY3	KY2	KY1	KY0
[PORT Output] Address=0xABCD0002 W only LCDCON (LCD Control Output)							
15(7)	14(6)	13(5)	12(4)	11(3)	10(2)	9(1)	8(0)
reserved	reserved	reserved	reserved	reserved	E	R/W	RS
[PORT Output] Address=0xABCD0003 W only LCDOUT (LCD Write Data Output)							
7(7)	6(6)	5(5)	4(4)	3(3)	2(2)	1(1)	0(0)
DW7	DW6	DW5	DW4	DW3	DW2	DW1	DW0
[PORT Input] Address=0xABCD0000 R only reserved							
31(7)	30(6)	29(5)	28(4)	27(3)	26(2)	25(1)	24(0)
reserved	reserved	reserved	reserved	reserved	reserved	reserved	reserved
[PORT Input] Address=0xABCD0001 R only KEYXI (KEY Matrix X-axis Input)							
23(7)	22(6)	21(5)	20(4)	19(3)	18(2)	17(1)	16(0)
reserved	reserved	reserved	KX4	KX3	KX2	KX1	KX0
[PORT Input] Address=0xABCD0002 R only reserved							
15(7)	14(6)	13(5)	12(4)	11(3)	10(2)	9(1)	8(0)
reserved	reserved	reserved	reserved	reserved	E	R/W	RS
[PORT Input] Address=0xABCD0003 R only LCDIN (LCD Read Data Input)							
7(7)	6(6)	5(5)	4(4)	3(3)	2(2)	1(1)	0(0)
DR7	DR6	DR5	DR4	DR3	DR2	DR1	DR0

Figure6.1 Parallel I/O Port (PIO) Registers

6.4. Serial I/O (UART): “uart.v”

The top layer has Serial I/O device (UART) “uart.v”, which is SASC (Simple Asynchronous Serial Communication Device) from the opencores.org IP. The SASC is not WISHBONE compliant IP, so some registers are added to connect SASC to WISHBONE bus. UART IN/OUT signals are shown in Table6.4, and its registers are shown in Figure6.2.

Each register is located in side-by-side address, so they can be accessed by byte, word or long operand size, but the UARTCON and UARTRXD/TXD should be accessed only by byte operand size.

Class	Signal Name	Direction	Meaning	Notes
System	CLK	Input	System clock	
Signals	RST	Input	Power On Reset	
Wishbone	CE	Input	Chip Select (Module Select)	STB
Bus	WE	Input	Write Enable	
Signals	SEL[3:0]	Input	Byte Lane Select	
	DATI[31:0]	Input	Data Input (Write Data)	
	DATO[31:0]	Output	Data Output (Read Data)	
UART	RXD	Input	Receive Serial Data	
	TXD	Output	Transmit Serial Data	
	CTS	Input	Clear To Send	
	RTS	Output	Request To Send	

Table6.4 Serial I/O (UART) IN/OUT Signals

[UART] Address=0xABCD0100 R/W UARTBG0 (Baud rate Generator Div0)							
31(7)	30(6)	29(5)	28(4)	27(3)	26(2)	25(1)	24(0)
B07	B06	B05	B04	B03	B02	B01	B00
[UART] Address=0xABCD0101 R/W UARTBG1 (Baud rate Generator Div1)							
23(7)	22(6)	21(5)	20(4)	19(3)	18(2)	17(1)	16(0)
B17	B16	B15	B14	B13	B12	B11	B10
[UART] Address=0xABCD0102 R only UARTCON (TXF=full_o, RXE=empty_o)							
15(7)	14(6)	13(5)	12(4)	11(3)	10(2)	9(1)	8(0)
reserved	reserved	Reserved	reserved	reserved	reserved	TXF	RXF
[UART] Address=0xABCD0103 R only / UARTRXD, W only / UARTTXD							
7(7)	6(6)	5(5)	4(4)	3(3)	2(2)	1(1)	0(0)
TR7	TR6	TR5	TR4	TR3	TR2	TR1	TR0

Figure6.2 Serial I/O (UART) Registers

The UARTBG0 and UARTBG1 are the registers to determine the serial baud rate. The

UARTBG0 and UARTBG1 are reset to 0x00 when power on reset. The expression to calculate the baud rate is shown below.

$$BaudRate = \frac{f(CLK)}{4} \times \frac{1}{(BG0 + 2) \times (BG1 + 1)} [bps]$$

Table6.5 shows some examples of baud rate setting.

Baud Rate [bps]	f (CLK) [MHz]	UARTBG0	UARTBG1	Notes
1200	20	0x12 (18)	0xCF (207)	
2400	20	0x12 (18)	0x67 (103)	
4800	20	0x12 (18)	0x33 (51)	
9600	20	0x12 (18)	0x19 (25)	

Table6.5 Examples of Baud Rate Settings

The UARTCON has 2 flags; TXF and RXE. The TXF is 1 when transmit buffer is full. If TXF=0, you can write next transmit data. The RXE is 1 when receive buffer is empty. If RXE=0, you can read receive data. The TXF and RXE correspond to full_o and empty_o of SASC, respectively. Note that SASC has 4 byte depth FIFOs for both transmit buffer and receive buffer. In case of this top layer, TXF and RXE are not connected as interrupt signals, so you should poll these flags in your program. Generally, such flags should be treated as interrupt requests. You can easily modify the Aquarius RTL codes like this.

The UARTRXD and UARTTXD are the receive buffer and transmit buffer registers, which have same address. Read operation accesses to UARTRXD, and Write operation accesses to UARTTXD.

6.5. System Controller (SYS): “sys.v”

The System Controller (SYS) “sys.v” has following functions.

- (1) Generate Exception of Hardware Event.
 - NMI (by Address Break)
 - IRQ (by Interval Timer)
 - CPU Address Error (by watching WISHBONE bus transaction)
- (2) Emulate Exception of Hardware Event.

- NMI
 - IRQ
 - CPU Address Error
 - DMA Address Error
 - Manual Reset
- (3) Control priority level among the requests of hardware exception.
 - (4) Set IRQ priority level and vector number.
 - (5) 12bit Interval Timer to generate IRQ.
 - (6) Bus Address Break Function for debugging capability (NMI).
 - (7) Detect CPU Address Error by watching WISHBONE bus signals.
 - (8) SLEEP and Low Power Control, according to Figure5.2 manner.

The IN/OUT Signals of SYS are shown in Table6.6.

The SYS has 2 32bit length registers; INTCTL and BRKADR. These are shown in Figure6.3. Both registers should be accessed only by long word operand size. The INTCTL is reset to 0x00000FFF, and the BRKADR is reset to 0x00000000 when power on reset.

Class	Signal Name	Direction	Meaning	Notes
System	CLK_SRC	Input	System clock Source	
Signals	CLK	Output	CLK , which stops at SLEEP	
	SLP	Input	SLEEP request from CPU	
	WAKEUP	Input	Wakeup Request	
	RST	Input	Power On Reset	
	Wishbone	CE	Input	Chip Select (Module Select)
Bus	WE	Input	Write Enable	
Signals	SEL[3:0]	Input	Byte Lane Select	
	ACK	Input	Bus Acknowledge	
	DATI[31:0]	Input	Data Input (Write Data)	
	DATO[31:0]	Output	Data Output (Read Data)	
	STB	Input	Strobe (Bus monitor to BRK)	
	ADR[31:0]	Input	Address (Bus monitor to BRK)	
Hardware	EVENT_REQ[2:0]	Output	Event Request	
Events	EVENT_INFO[11:0]	Output	Event Information (IRQ)	
	EVENT_ACK	Input	Event Acknowledge from CPU	

Table6.6 System Controller (SYS) IN/OUT Signals

[SYS] Address=0xABCD0200 R/W INTCON (Interrupt Control)

31	30	29	28	27	26	25	24
E_NMI	E_IRQ	E_CER	E_DER	E_MRS	reserved	TMRON	BRKON
23	22	21	20	19	18	17	16
ILVL3	ILVL2	ILVL1	ILVL0	IVEC7	IVEC6	IVEC5	IVEC4
15	14	13	12	11	10	9	8
IVEC3	IVEC2	IVEC1	IVEC0	TMR11	TMR10	TMR9	TMR8
7	6	5	4	3	2	1	0
TMR7	TMR6	TMR5	TMR4	TMR3	TMR2	TMR1	TMR0

[SYS] Address=0xABCD0204 R/W BRKADR (Break Address)

31	30	29	28	27	26	25	24
ADR31	ADR30	ADR29	ADR28	ADR27	ADR26	ADR25	ADR24
23	22	21	20	19	18	17	16
ADR23	ADR22	ADR21	ADR20	ADR19	ADR18	ADR17	ADR16
15	14	13	12	11	10	9	8
ADR15	ADR14	ADR13	ADR12	ADR11	ADR10	ADR9	ADR8
7	6	5	4	3	2	1	0
ADR7	ADR6	ADR5	ADR4	ADR3	ADR2	ADR1	ADR0

Figure6.3 System Controller (SYS) Registers

INTCTL : Interrupt Control Register

- E_NMI Emulate NMI. Write only bit. Read 0 only.
When you write 1, NMI exception sequence will start.
- E_IRQ Emulate IRQ. Write only bit. Read 0 only.
When you write 1, IRQ exception sequence will start if the IRQ priority level is higher than I bit in SR.
The priority level and the vector number of the IRQ is specified by ILVL3-ILVL0 and IVEC7-IVEC0 bits in INTCTL register.
- E_CER Emulate CPU Address Error. Write only bit. Read 0 only.
When you write 1, CPU Address Error exception will start.
- E_DER Emulate DMA Address Error. Write only bit. Read 0 only.

	When you write 1, DMA Address Error exception will start.
E_MRES	Emulate Manual Reset. Write only bit. Read 0 only.
	When you write 1, Manual Reset exception will start.
TMRON	When 1, 12 bit Interval Timer starts.
	When 0, the Interval Timer stops.
BRKON	When 1, start to compare BRKADR with WISHBONE address, and if these are equal, request NMI.
ILVL3-ILVL0	IRQ priority level to be requested (makes EVENT_INFO[11:8])
IVEC7-IVEC0	IRQ vector number to be requested (makes EVENT_INFO[7:0])
TMR11-TMR0	12 bit Interval Timer. When 0x000, it requests IRQ.

BRKADR : Break Address Register

ADR31-ADR0	Break address to be compared to WISHBONE address. It is valid only when BRKON=1.
------------	---

6.6. On Chip Memory: “memory.v”

The memory module “memory.v” has 8KB ROM and 8KB RAM. The address map has been shown in Table6.1. The bit pattern of ROM is specified by “rom.v” description. The memory module’s IN/OUT signals are shown in Table6.7.

<i>Class</i>	<i>Signal Name</i>	<i>Direction</i>	<i>Meaning</i>	<i>Notes</i>
System	CLK	Input	System clock	
Signals	RST	Input	Power On Reset	
Wishbone	CE	Input	Chip Select (Module Select)	STB
Bus	WE	Input	Write Enable	
Signals	SEL[3 : 0]	Input	Byte Lane Select	
	ADR[13 : 0]	Input	Address	
	DATI[31 : 0]	Input	Data Input (Write Data)	
	DATO[31 : 0]	Output	Data Output (Read Data)	

Table6.7 On-Chip Memory IN/OUT Signals

6.7. Simulation Tools and Flows

(1) Have you already installed all tools such as Cygwin, GNU binutils, GNU C compiler and Aquarius deliverables for program development and Verilog simulation?

In following explanations, I assume the tool placing is like below.

```
~      (home directory)
|----CPU      (directory)
    |----*.v      (Verilog Sources)
    |----test.txt (list of Verilog sources for simulation)
    |----sim      (simulation launch script)
    |----asm      (assembler launch script)
    |----sha_testsource      (directory)
        |----testalu.src      (ALU check program)
```

(2) To simulate instruction or program, make your assembler source file. Some examples are located in the directory "sha_testsource" of Aquarius deliverables. In these examples, basically, all instruction sequence to be verified are simulated on all memory space attributes among combinations of no-wait or with-wait, and 32bit or 16bit instruction fetch area (IF_WIDTH). Now, suppose you are trying "testalu.src" to check ALU functions.

(3) Assemble it. From your Cygwin console window, type...

```
$ cd ~/CPU
$ ./asm sha_testsource/testalu.src
```

If no errors, you will find following files.

```
lis      assembler list file
obj      s-format object file
rom.v    Verilog ROM description
```

(4) Prepare "test.txt" in which Verilog source file names are listed as follows.

```
// source file list      |      datapath.v      |      cpu.v
defines.v                |      mult.v           |      rom.v
timescale.v              |      decode.v         |      memory.v
register.v                |      mem.v            |      pio.v
```

```

sasc_brg.v          |          uart.v          |          top.v
sasc_fifo4.v       |          lib.v           |          test.v
sasc_top.v         |          sys.v           |

```

Ok, now you can simulate Aquarius Verilog RTL codes. Type...

```
$ ./sim
```

If no errors, you will find following file.

```
test_result.txt  simulation result trace list
```

(5) Check this file. Are you success?

The "test_result.txt" is like this.

```

COUNT#  CR CSAWI SEL-  ADR----  DATI----  DATO----  PC-----  EVR  EVI  A|S-INST-Q-D-IFDR-IR--...
00000000  00  xxxxx  xxxx  xxxxxxxx  xxxxxxxx  xxxxxxxx  xxxxxxxx  xxx  xxx  x|x  xxxx  x  x  xxxx  xxxx...
00000001  01  xxxxx  xxxx  xxxxxxxx  xxxxxxxx  xxxxxxxx  xxxxxxxx  111  000  1|1  f700  1  0  xxxx  f700...
00000002  01  0001x  xxxx  xxxxxxxx  00000000  xxxxxxxx  xxxxxxxx  111  000  1|1  f700  1  0  xxxx  f700...
00000003  01  0001x  xxxx  xxxxxxxx  00000000  xxxxxxxx  xxxxxxxx  111  000  0|1  f700  2  0  xxxx  f700...
00000004  01  0001x  xxxx  xxxxxxxx  00000000  xxxxxxxx  xxxxxxxx  111  000  0|1  f700  3  0  xxxx  f700...
00000005  01  11101  1111  00000000  00000400  xxxxxxxx  xxxxxxxx  111  000  0|1  f700  4  0  xxxx  f700...
00000006  01  11101  1111  00000004  fffd0000  xxxxxxxx  xxxxxxxx  111  000  0|1  f700  5  0  xxxx  f700...
00000007  01  11101  1111  00000400  ee00dd01  xxxxxxxx  00000400  111  000  0|1  f700  6  1  xxxx  f700...
.....

```

This file is created by \$fdisplay() statement in test bench script "test.v", and shows WISHBONE bus signals, CPU internal buses and registers et al. in trace list manner. You can modify "test.v" to see other signals.

The simulation stop condition is determined by simulation clock cycle counts in "test.v" description. This "test.v" is one of the examples for you, so you may modify it for your favorite simulation.

7. FPGA Implementation

This chapter shows you my FPGA system and Aquarius implementation to FPGA.

7.1. FPGA System

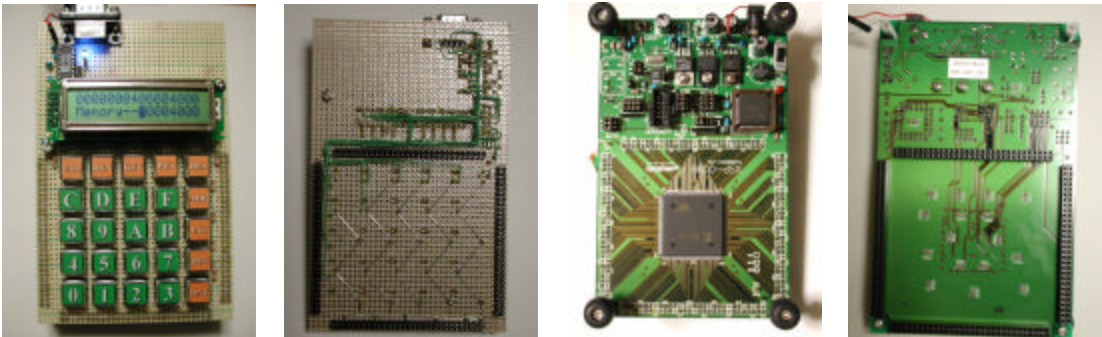
As described before, I have been using existing FPGA board XSP-009-300 manufactured by HuMANDATA, Ltd., which has one Xilinx VirtexE XCV300E. This board also has configuration circuit by JTAG or FLASH ROM, and power supply circuit. I think you can find similar FPGA boards from many vendors around you.

I made a FPGA System by connecting handmade interface board, which has LCD display, KEY matrix and RS-232C interface.

Figure 7.1 shows the whole view of FPGA verification system. Figure 7.2 shows both interface board and FPGA board. These 2 boards are connected back to back each other. The system block diagram is Figure7.3.



Figure7.1 FPGA Verification System



(A) I/F board (B) I/F Board (bottom) (C) FPGA board (D) FPGA board (bottom)

Figure7.2 Picture of Each Board

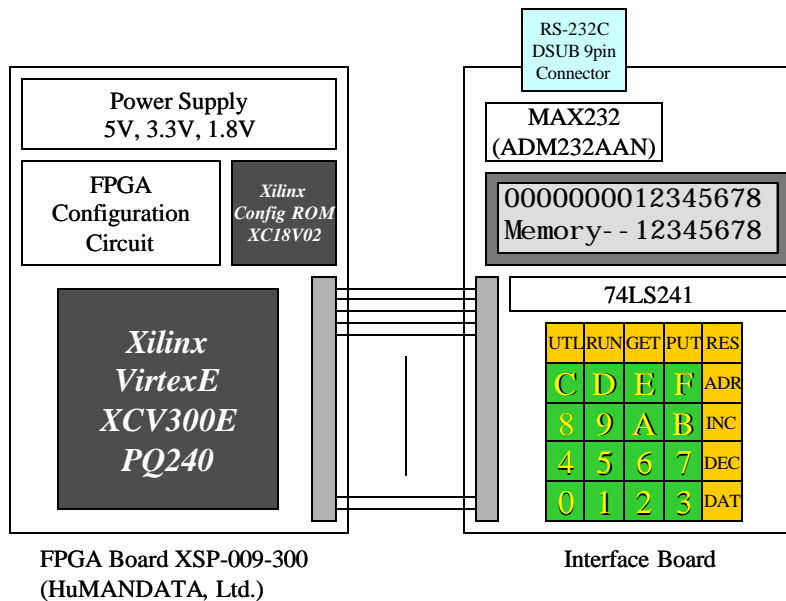


Figure7.3 Block diagram of FPGA System

7.2. Circuit of FPGA Board

The circuit schematic of FPGA Board (XSP-009-300) is found in following URL; <http://www.hdl.co.jp/ftpdata/xsp-009/XSP009.sch.pdf>. In my case, the FPGA operating frequency is set to 20MHz.

7.3. Circuit of Interface Board

Figure 7.4 shows the circuit of Interface Board.

(1) LCD Display Interface

As LCD character display, I use SUNLIKE 16 columns x 2 rows LCD Display SC-1602B. It operates by commands via its bus interface. You can find detail documents regarding mechanical data, electrical characteristics, initialization methods and operation commands from <http://www.lcd-modules.com.tw/>.

The bus interface is bi-direction, so, I use 74LS241 buffers to make interface with the FPGA. Note that 100ohm resistors are inserted between 74LS241 output and FPGA input because the FPGA don't have 5V tolerant input buffer. Xilinx recommends using current limit resistor at 5V signal input.

(2) RS-232C Interface

To implement the RS-232C Interface, I adopt the MAX232 compatible IC ANALOG DEVICES ADM232AAN. The FPGA interface also needs 5V tolerant resistors. The DSUB-9 connector is linked supposing cross cable.

(3) KEY Matrix Interface

The Key Matrix Interface has 25 keys to input hex data, some commands and reset. The 1Kohm resistors are necessary to avoid conflict on FPGA output pins when multiple keys are pushed. Instead of 1Kohm resistors, it is good idea that you use discrete diodes, connecting each anode to switch and cathode to FPGA port.

(4) FPGA Pin Configuration

In case of above FPGA System, the FPGA's pin configuration that corresponds to "top.v" is as follows (Also refer to Table6.2). These statements should be described in User Constraints File (.ucf) before you configure the FPGA.

```
NET "CLK_SRC" LOC = "p92";
NET "RST_n" LOC = "p42";
NET "TXD" LOC = "p46";
NET "RXD" LOC = "p47";
NET "RTS" LOC = "p48";
NET "CTS" LOC = "p49";
NET "LCDRW" LOC = "p4";
NET "LCDRS" LOC = "p3";
NET "LCDE" LOC = "p5";
NET "LCDDBO<7>" LOC = "p17";
NET "LCDDBO<6>" LOC = "p13";
NET "LCDDBO<5>" LOC = "p12";
NET "LCDDBO<4>" LOC = "p11";
NET "LCDDBO<3>" LOC = "p10";
NET "LCDDBO<2>" LOC = "p9";
NET "LCDDBO<1>" LOC = "p7";
NET "LCDDBO<0>" LOC = "p6";
NET "LCDDBI<7>" LOC = "p27";
NET "LCDDBI<6>" LOC = "p26";
NET "LCDDBI<5>" LOC = "p24";
NET "LCDDBI<4>" LOC = "p23";
NET "LCDDBI<3>" LOC = "p21";
NET "LCDDBI<2>" LOC = "p20";
NET "LCDDBI<1>" LOC = "p19";
NET "LCDDBI<0>" LOC = "p18";
NET "KEYYO<4>" LOC = "p28";
NET "KEYYO<3>" LOC = "p31";
NET "KEYYO<2>" LOC = "p33";
NET "KEYYO<1>" LOC = "p34";
NET "KEYYO<0>" LOC = "p35";
NET "KEYXI<4>" LOC = "p41";
NET "KEYXI<3>" LOC = "p40";
NET "KEYXI<2>" LOC = "p39";
NET "KEYXI<1>" LOC = "p38";
NET "KEYXI<0>" LOC = "p36";
```

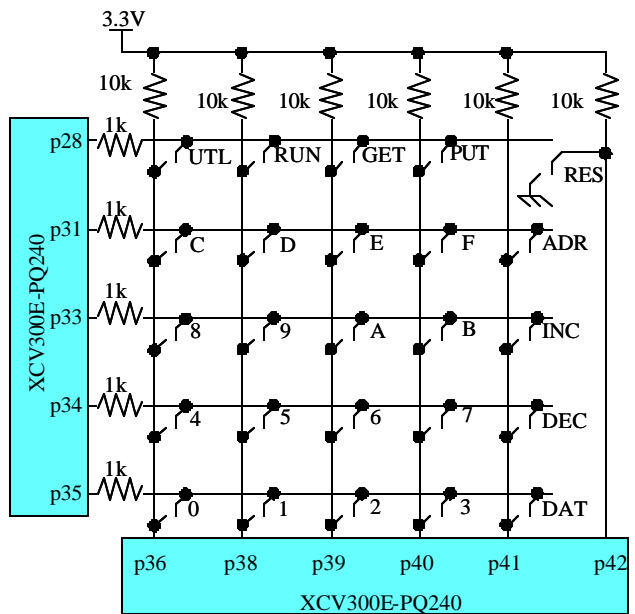
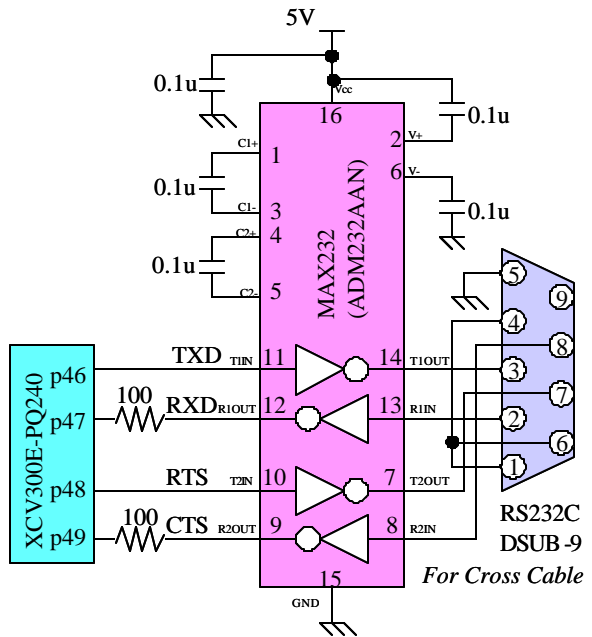
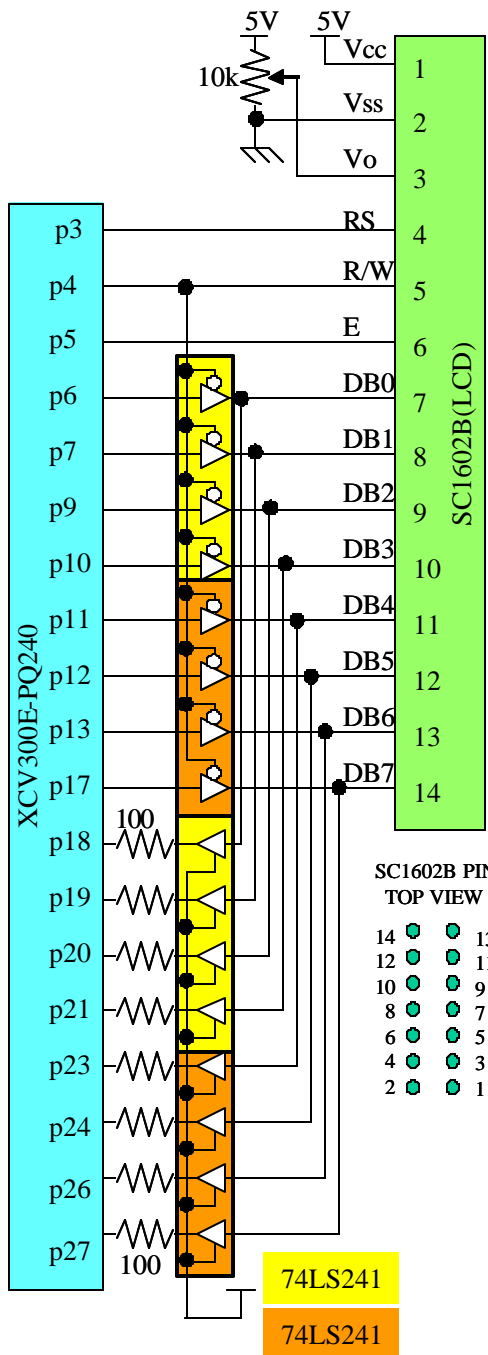


Figure7.4 Circuit of Interface Board

7.4. FPGA Configuration

Launch the Xilinx ISE Webpack 5.x, select the device to yours, and add following Verilog sources to your project.

<code>cpu.v</code>	<code>memory_fpga.v</code>	<code>sasc_top.v</code>
<code>datapath.v</code>	<code>mult.v</code>	<code>sys.v</code>
<code>decode.v</code>	<code>pio.v</code>	<code>test.v</code>
<code>defines.v</code>	<code>register.v</code>	<code>timescale.v</code>
<code>lib_fpga.v</code>	<code>sasc_brg.v</code>	<code>top.v</code>
<code>mem.v</code>	<code>sasc_fifo4.v</code>	<code>uart.v</code>

Make user constraints file (`top.ucf`) to specify pin assignment, timing constraints and BlockRAM initial value. In Aquarius deliverables, I prepare an example file `top.ucf`. To initialize contents of BlockRAM, use "genram" utility described before and append INST statements to `top.ucf` (default `top.ucf` already have INST statement, so you should replace all INST statements to new ones generated by "genram".)

Ok, then compile from the "top" module, and configure your FPGA.

7.5. Results of FPGA Configuration

(1) Xilinx VirtexE (XCV300E)

Regarding the FPGA system mentioned above, Table7.1 shows the performance results by Xilinx VirtexE XCV300E-8PQ240, which has 3072 slices. On chip memories are configured by BlockRAM. Under the speed-priority synthesizing, total usage of logic slices is beyond the device, unfortunately. In author's FPGA System, although the device has been configured by area-priority synthesis, the device operates 20MHz frequency under the typical condition (power supply voltage and ambient temperature).

(2) Altera Stratix (EP1S10)

For technical reference, I tried to configure Aquarius into Altera Stratix EP1S10, which has 10570 logic elements. Table7.2 shows the summary. And the detail utilization of logic cells is shown in Table7.3. In this case, on chip memories are implemented by Synchronous SRAM components and the multiplier (in `mult.v`) is implemented by internal DSP unit.

Synthesis	Top	Slices	Consumed	Frequency	Notes
Area	top.v	2923	95%	15MHz	
20MHz	cpu.v	2635	86%	15MHz	
Speed	top.v	3135	102%	25MHz	XCV300E overflows
20MHz	cpu.v	2753	90%	21MHz	

Table7.1 Results of Xilinx VertexE (XCV300E-8PQ240) with Webpack ISE 5.2 (SP3)

Synthesis	Top	Cells	Consumed	Frequency	Notes
Normal	top.v	7919	75%	31MHz	
No constraints	cpu.v	7499	71%	31MHz	

Table7.2 Results of Altera Stratix (EP1S10F780C5ES) with Quartus II 2.2 Web Edition (SP2)

Compilation Hierarchy Node	Logic Cells	Registers	Memory Bits	DSP Elements	DSP 9x9	DSP 18x18	DSP 36x36	Pins	Virtual Pins	LUT-Only LCS	Register-Only LCS	LUT/Registers LCS
top	7919 (41)	1458	131072	8	0	0	1	36	0	6461 (37)	102 (1)	1356 (3)
cpu:CPU	7499 (0)	1207	0	8	0	0	1	0	0	6292 (0)	31 (0)	1176 (0)
datapath:DATAPATH	5309 (2508)	681	0	0	0	0	0	0	0	4628 (2370)	0 (0)	681 (138)
lpm_counter:PC_rtl_0	31 (0)	31	0	0	0	0	0	0	0	0 (0)	0 (0)	31 (0)
alt_counter_stratix:wysi_counter	31 (31)	31	0	0	0	0	0	0	0	0 (0)	0 (0)	31 (31)
register:REGISTER	2770 (2770)	512	0	0	0	0	0	0	0	2258 (2258)	0 (0)	512 (512)
decode:DECODE	827 (827)	183	0	0	0	0	0	0	0	644 (644)	26 (26)	157 (157)
mem:MEM	371 (371)	179	0	0	0	0	0	0	0	192 (192)	5 (5)	174 (174)
mult:MULT	992 (992)	164	0	8	0	0	1	0	0	828 (828)	0 (0)	164 (164)
lpm_mult:mult_422	0 (0)	0	0	8	0	0	1	0	0	0 (0)	0 (0)	0 (0)
mult_lhj:auto_generated	0 (0)	0	0	8	0	0	1	0	0	0 (0)	0 (0)	0 (0)
memory:MEMORY	17 (0)	0	131072	0	0	0	0	0	0	17 (0)	0 (0)	0 (0)
ram:RAM	17 (17)	0	131072	0	0	0	0	0	0	17 (17)	0 (0)	0 (0)
lpm_ram_dq:LPM_RAM_DQ_HH	0 (0)	0	32768	0	0	0	0	0	0	0 (0)	0 (0)	0 (0)
altsyncram:altsyncram_component	0 (0)	0	32768	0	0	0	0	0	0	0 (0)	0 (0)	0 (0)
lpm_ram_dq:LPM_RAM_DQ_HL	0 (0)	0	32768	0	0	0	0	0	0	0 (0)	0 (0)	0 (0)
altsyncram:altsyncram_component	0 (0)	0	32768	0	0	0	0	0	0	0 (0)	0 (0)	0 (0)
lpm_ram_dq:LPM_RAM_DQ_LH	0 (0)	0	32768	0	0	0	0	0	0	0 (0)	0 (0)	0 (0)
altsyncram:altsyncram_component	0 (0)	0	32768	0	0	0	0	0	0	0 (0)	0 (0)	0 (0)
lpm_ram_dq:LPM_RAM_DQ_LL	0 (0)	0	32768	0	0	0	0	0	0	0 (0)	0 (0)	0 (0)
altsyncram:altsyncram_component	0 (0)	0	32768	0	0	0	0	0	0	0 (0)	0 (0)	0 (0)
pio:PIO	33 (33)	16	0	0	0	0	0	0	0	17 (17)	16 (16)	0 (0)
sys:SYS	101 (101)	63	0	0	0	0	0	0	0	38 (38)	1 (1)	62 (62)
uart:UART	228 (43)	168	0	0	0	0	0	0	0	60 (17)	53 (9)	115 (17)
sasc_brg:BRG	33 (31)	25	0	0	0	0	0	0	0	8 (8)	2 (2)	23 (21)
lpm_counter:cnt_rtl_0	2 (0)	2	0	0	0	0	0	0	0	0 (0)	0 (0)	2 (0)
alt_counter_stratix:wysi_counter	2 (2)	2	0	0	0	0	0	0	0	0 (0)	0 (0)	2 (2)
sasc_top:TOP	152 (63)	117	0	0	0	0	0	0	0	35 (20)	42 (10)	75 (33)
sasc_fifo4:rx_fifo	46 (42)	37	0	0	0	0	0	0	0	9 (9)	16 (16)	21 (17)
lpm_counter:rp_rtl_0	2 (0)	2	0	0	0	0	0	0	0	0 (0)	0 (0)	2 (0)
alt_counter_stratix:wysi_counter	2 (2)	2	0	0	0	0	0	0	0	0 (0)	0 (0)	2 (2)
lpm_counter:wp_rtl_0	2 (0)	2	0	0	0	0	0	0	0	0 (0)	0 (0)	2 (0)
alt_counter_stratix:wysi_counter	2 (2)	2	0	0	0	0	0	0	0	0 (0)	0 (0)	2 (2)
sasc_fifo4:tx_fifo	43 (39)	37	0	0	0	0	0	0	0	6 (6)	16 (16)	21 (17)
lpm_counter:rp_rtl_0	2 (0)	2	0	0	0	0	0	0	0	0 (0)	0 (0)	2 (0)
alt_counter_stratix:wysi_counter	2 (2)	2	0	0	0	0	0	0	0	0 (0)	0 (0)	2 (2)
lpm_counter:wp_rtl_0	2 (0)	2	0	0	0	0	0	0	0	0 (0)	0 (0)	2 (0)
alt_counter_stratix:wysi_counter	2 (2)	2	0	0	0	0	0	0	0	0 (0)	0 (0)	2 (2)

Table7.3 Detail Utilization of Logic Cells in Altera Stratix EP1S10

7.6. Application Programs on the FPGA System

I include some simple application programs in Aquarius deliverables. All applications are developed by GNU C compiler for SuperH-2.

Each startup program (`crto.s`) and linker script (`sh.x`) is located in directory “startup” under each application directory. The “Makefile” is prepared for all applications so as to compile and link by typing “\$ make”, and to cleanup objects by typing “\$ make clean”.

In my FPGA system, the BlockRAM contains several applications provided here (1), (2) and (3). All applications are combined into one object file “`ram.srec`”. You can make BlockRAM’s INIT statements by “`genram`” utility.

(1) **Monitor Program:** directory “`shc_monitor_release_v1`”

Using LCD display, key board and RS-232C I/F, this monitor program has very basic debug capability such as Memory Editor, Program Loader from PC, Jumping to Program and Debugging utilities such as Setting a Break point and Reading Registers. The source code is “`main.c`”. This program is located from address 0x00000000 (here is vector table). It starts by power on reset. Below, I simply explain an example session of the monitor. Please refer Figure7.5.

(A) Memory Editor

(a) Startup

The top line shows memory address and its data. Left 8 hex number is address. Right 8 hex number is data. Always shows only long-word sized data.

The bottom line has 4 byte entry space. You can enter new hex number here.

(b) Address Increment

The “INC” key increases address by 4 byte, and shows the data at new address.

(c) Address Decrement

The “DEC” key decreases address by -4 byte, and shows the data at new address.

(d) Enter Address

(e) Set Address

If you want to see another address of memory, enter new 4 byte address in bottom line, and push “ADR” key. If your entry is not in multiples of 4, lower 2 bits of address are cleared to 0, to avoid address error.

- (f) Enter Data to be written
- (g) Write Data and Increment Address

If you want to change data in displaying address, enter new 4 byte data in bottom line, and push “DAT” key. Then the memory content is updated and the displayed address increases 4 byte.

- (h) Verify

Use decrement key (and also increment key) to verify the memory contents.

000000000000400 Memory-- 0000400	000000400004000 Memory-- 00004000	FFFFFFFFC000005D0 Memory-- 000005D0
(a) When Startup	(b) “INC” Address Increment	(c) “DEC” Address Decrement
FFFFFFFFC000005D0 Memory-- 00003800	00003800FFFFFFFF Memory-- FFFFFFFF	00003800FFFFFFFF Memory-- 12345678
(d) Enter 32bit Hex (address)	(e) “ADR” Address Set	(f) Enter 32bit Hex (data)
00003804FFFFFFFF Memory-- FFFFFFFF	0000380012345678 Memory-- 12345678	Get S-Format (S3) Please send. . . .
(g) “DAT” Write & increment	(h) “DEC” Verify, OK!	(i) “GET” Wait for Program Load
Get S-Format (S3) 00003190-----OK!	0000300000003008 Memory-- 00003008	00003008D805480B Memory-- D805480B
(j) Loading Program	(k) Finish Loading Program	(l) “ADR” Set Branch Target
00003008D805480B Run-- Good Luck!	<SuperH in FPGA> @ABCDEFGHIJKLMNO	BRK- Func Select? 1: REG 2: BRK SET
(m) “RUN” Go !	(n) Running Program	(o) “UTL” Break Function Select
Set Break Point. Address?00003800	Break Accepted. Address?00003800	000000000000400 Memory-- 00003800
(p) “1” Enter Break Address	(q) “DAT” Set Break Point	(r) Try to access 0x00003800
000000000000400 NMI /BRK: Goto Mon	SR : 00000100 PC : 0000136C	R0 : 0000069C R1 : 0000136C
(s) “ADR” Access to 0x00003800	(t) “UTL”-”2” Display Registers	(u) Continue to Hit any key

Figure7.5 Example Session of the Monitor Program

(B) Program Loader

- (i) Program Loading from PC
- (j) Now Loading
- (k) Finish Loading

You can download S-Format(S3) object file (ASCII Text file) from PC via RS-232C line. In default, 1200bps, 8bit non-parity. You can change the baud rate by changing monitor program source. (Or directly change UARTBRG0 and UARTBRG1 register by the monitor function.)

The acceptable S-Format records are only S0 (comment), S3 (actual object), S7 (end of record). If you use “asm” script for assembler, or “Makefile” for C program in Aquarius deliverables, they make suitable S-Format object file (*.srec) for this monitor. After preparing object file on your PC, push “GET” key, then the FPGA system waits for sending data. Send object by ASCII file from any proper terminal application in your PC. During transfer, LCD shows top address of every record and the result of check sum test. If the monitor finds checksum error, the transfer will stop. When the monitor receives S7 record, it stops program loading, and shows the address of first record which have been received.

For convenience of explanation, please suppose you downloaded “shc_lcdtest/main.srec”, which is LCD test program.

(C) Run

- (l) Set Target Address
- (m) Go to program
- (n) Now, running program

The top address of LCD test program is 0x00003000. But the top address has vector table. The actual start address is 0x00003008, so, set address to this. Then push “RUN” key, the program will start. This “RUN” function is implemented by JSR instruction. So, if your program ends by RST instruction, the control will return to the monitor. Of course, if you want to stop your program, push “RES” key for reset, any time.

(D) Debug Utility

- (o) Select Break Function

- (p) Enter Break Address
- (q) Set Break Point
- (r) Try a Break
- (s) Break happens

If you want to set break point, push “UTL” key and “2”. And enter the break address you want. To confirm the break operation, push “DAT”. Suppose you set 0x00003800 as break point. Now let’s access 0x00003800 by the monitor. The monitor reports BRK has happened. If you push any key, the control will return to monitor.

The break happens only when the WISHBONE address is just equal to the address you set as break point.

Once break happens, the break setting is cleared (the break address that is set in register “BRKADR” is kept but “BRKON” bit in “INTCON” register is cleared).

- (t) Select Register Reading
- (u) Check all Registers in CPU

You can examine register contents just when the break happens. By “UTL”-“1” key, you can see all CPU registers.

(2) **LCD Test:** directory “shc_lcdtest”

Display all characters on LCD display. It is a very simple program. The source code is “main.c”. This program is located from address 0x00003000 (here is reset vector). To start it, jump to 0x00003008 by monitor program.

(3) **Interrupt! Clock:** directory “shc_clock”

This is a digital clock. The time base is interrupt (IRQ) from interval timer. The timer requests IRQ in every 50×2^{12} [ns] @20MHz operation. The IRQ service routine controls internal software counter, and displays time. The source code is “main.c”. This program is located from address 0x00002000 (here is vector table). To start it, jump to 0x00002400 by monitor program.

You can adjust the clock. Push “DAT” key, enter hour. Again push “DAT”, enter minute. Again “DAT”, enter second. Finally push “DAT”, then, clock starts.

(4) Calculation of Circular Constant (Pi): directory “shc_pi”

This is a program for calculating the Circular Constant (Pi). This source program can make 1024 figures after the decimal fraction. If you have large memory space, you can expand figures to be calculated only by changing the definition of MAXFIGURE.

This program is also a good verification of Aquarius quality.

This program uses the following Martin's formula.

$$\frac{p}{4} = 4 \times \arctan\left(\frac{1}{5}\right) - \arctan\left(\frac{1}{239}\right)$$
$$\arctan\left(\frac{1}{p}\right) = \frac{1}{p} - \frac{1}{3p^3} + \frac{1}{5p^5} - \frac{1}{7p^7} + \dots$$

To calculate 1024 figures, it approximately takes 4.5sec at 20MHz. (Aquarius don't have RTC (real time clock) yet, so accurate speed can not be measured.)

Load the s-format object by the Aquarius monitor, and run it from the address 0x00002008. This program displays the result on LCD display on the Aquarius FPGA System, like as follows. Hit any key to page.

Constant Pi = 3. 1415926535897932 3846264338327950	6692346034861045 4326648213393607	0656643086021394 9463952247371907	3729780499510597 3173281609631859
2884197169399375 1058209749445923	2602491412737245 8700660631558817	0217986094370277 0539217176293176	5024459455346908 3026425223082533
0781640628620899 8628034825342117	4881520920962829 2540917153643678	7523846748184676 6940513200056812	4468503526193118 8171010003137838
0679821480865132 8230664709384460	9259036001133053 0548820466521384	7145263560827785 7713427577896091	7528865875332083 8142061717766914
9550582231725359 4081284811174502	1469519415116094 3305727036575959	7363717872146844 0901224953430146	7303598253490428 7554687311595628
8410270193852110 5559644622948954	1953092186117381 9326117931051185	5495853710507922 7968925892354201	6388235378759375 1957781857780532
9303819644288109 7566593344612847	4807446237996274 9567351885752724	9956112129021960 8640344181598136	1712268066130019 2787661119590921
5648233786783165 2712019091456485	8912279381830119 4912983367336244	2977477130996051 8707211349999998	6420198938095257 2010654858632788

Part2. Inside Aquarius CPU

8. Aquarius CPU Overview

This chapter shows overview of CPU, again.

8.1. Aquarius Block Diagram

Figure 8.1 shows the block diagram of Aquarius CPU core.

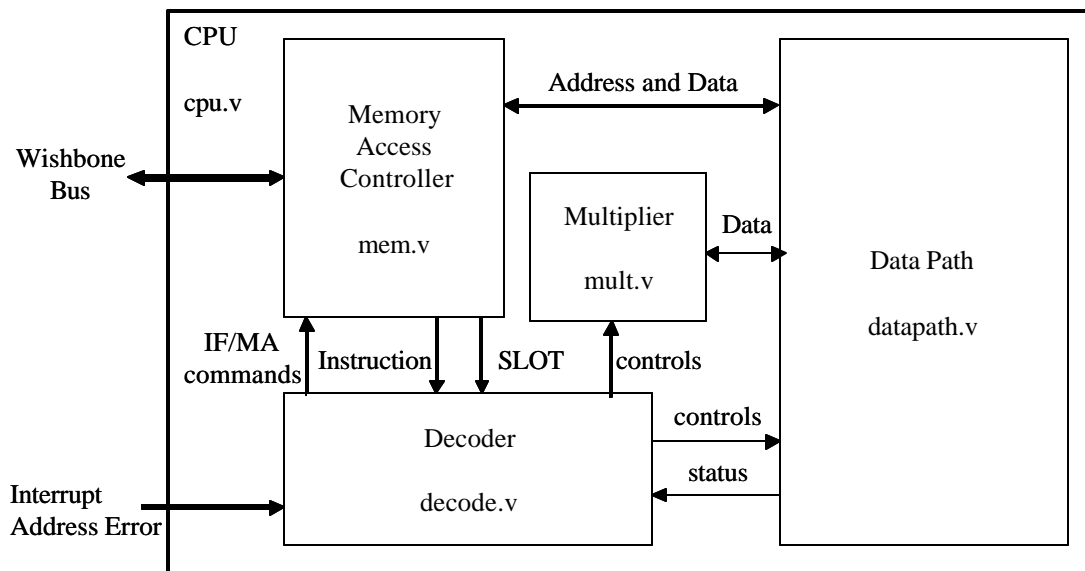


Figure 8.1. Block Diagram of Aquarius

Top layer of Aquarius is “CPU” which has WISHBONE compliant bus signals and accepts interruption related signals. The most important system signals such as clock and reset are not shown in this figure.

The Memory Access Controller handles instruction fetch and data read/write access. The operations of Memory Access Controller are fully controlled by Decoder unit. Memory Access Controller sends fetched instruction bit fields to the Decoder unit, and interchanges read/write data and its address with Data Path unit. Aquarius assumes the Wishbone bus is a Non-Harvard bus, then the simultaneous instruction fetch and R/W data access makes bus contention. Memory Access Controller handles such contention smoothly and informs the pipeline stall caused by the bus contention to Decoder unit. Also, the Memory Access

Controller can sense each boundary of bus cycles (with wait state) from Wishbone ACK signal. In Aquarius architecture (may be in SuperH-2 architecture as well), such bus cycle boundary corresponds to the pipeline's slot edge. So the Memory Access Controller produces the most important pipeline control signal "SLOT" indicating pipeline slot edge.

The Data Path unit has registers you can see in programmer's model in SuperH-2 manual such as General Registers (R0 to R15), Status Register (SR), Global Base Register (GBR), Vector Base Register (VBR), Procedure Register (PR) and Program Counter (PC). The Multiplication and Accumulate Registers (MACH/MACL) are found in Multiplication unit. The Data Path unit also has necessity operation resources such as ALU (Arithmetic and Logical operation Unit), Shifter, Divider, Comparator, temporary registers, many selectors, interfaces to/from Memory Access Controller and Multiply unit, and several buses to connect each resource. The Data Path is fully controlled by control signals from Decoder unit.

Multiply unit has a 32bit x 16bit multiplier and its control circuits. A 16bit x 16bit multiply operation is executed in one clock cycle. A 32 bit x 32bit multiply operation is done in two clock cycles. Multiply unit also has the Multiplier and Accumulate Registers (MACH/MACL). The MACH/MACL are not only the final result registers of multiply or multiply-and-accumulation but also the temporary registers to hold the 48bit partial multiply result from 32bit x 16bit multiplier for 32bit x 32bit operation. The multiply instruction, for example MULS.L, clears the contents of MACH/MACL in early stage of the instruction operation. However the multiply and accumulate instruction, for example MAC.L, does not clear MACH/MACL before the operation. The MAC.L accumulates its own partial multiply result to initial MACH/MACL and then finalize the operation result. The major difference between multiply (MULS.L) and "multiply and accumulate" (MAC.L) is whether to clear or not to clear the MACH/MACL before the operation. And also, for MAC.L and MAC.W instruction, the accumulation adder in this unit has saturating function.

The Decoder unit is the fundamental CPU controller. It orders Memory Access Controller fetch instructions and then receives the instruction. The Decoder Unit decodes the instruction bit fields and judges the followed operations. Basically, the Decoder unit plays the role only for the instruction ID stage. But it throws many control signals for following

EX, MA and WB stages toward Data Path unit, Multiplication unit, and Memory Access Controller. These control signals are kept and shifted with its pipeline flow at each slot edge until reaching to the target stage of the instruction. The Decoder unit detects every conditions of pipeline stalling, and makes each unit of CPU be controlled properly. Also, it controls not only simple 1 cycle instructions but also multi cycle instructions and exception's sequences such as interrupt and address error.

8.2. Aquarius CPU IN/OUT Signals

The Aquarius CPU ("cpu.v")'s IN/OUT signals are shown in Table8.1.

<i>Class</i>	<i>Signal Name</i>	<i>Direction</i>	<i>Meaning</i>	<i>Notes</i>
System	CLK	Input	System clock	
Signals	RST	Input	Power On Reset	
Wishbone	CYC_O	Output	Cycle Output	
Bus	STB_O	Output	Strobe Output	
Signals	ACK_I	Input	Device Acknowledge	
	ADR_O[31:0]	Output	Address Output	
	DAT_I[31:0]	Input	Read Data	
	DAT_O[31:0]	Output	Write Data	
	WE_O	Output	Write Enable	
	SEL_O[3:0]	Output	Byte Lane Select	
	TAG0_I (IF_WIDTH)	Input	Fetch Width	
Hardware	EVENT_REQ_I[2:0]	Input	Event Request	
Event	EVENT_INFO_I[11:0]	Input	Event Information	
(interrupt)	EVENT_ACK_O	Output	Event Acknowledge	
SLEEP	SLP	Output	Sleep Pulse	

Table8.1 Aquarius CPU IN/OUT Signals

9. Overview of Pipeline Control

This chapter describes the basis of pipeline controls in Aquarius CPU.

9.1. Pipeline and Stage

The CPU executes its instructions with pipelined controls as shown in Figure9.1.

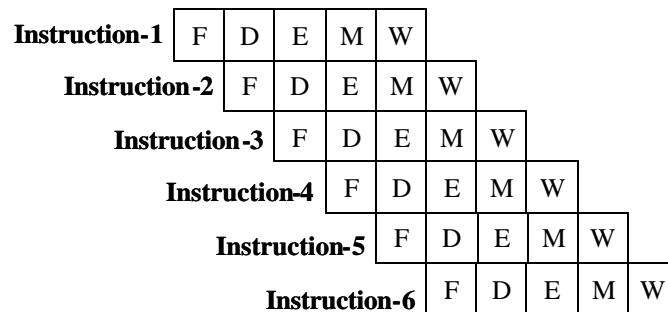


Figure9.1 CPU Pipeline

The pipeline has following 5 stages, basically.

(1) IF : Instruction Fetch (“F”)

It fetches instruction code from memory. If the bus width is 32bit and the lower 2bit of accessing address is 2'b00, the IF stage can fetch 2 instructions, because the length of each instructions is fixed in 16bit. If the bus width is 16bit or the lower 2bit of accessing address is not 2'b00, the IF stage can fetch only 1 instruction.

(2) ID : Decode (“D”)

It decodes fetched instruction code and controls whole CPU operation. The ID is the most important stage because all operations in each block of CPU are fully controlled by ID. The ID stage asserts many control signals to EX (`datapath.v`), MA (`mem.v`), and WB (`datapath.v`). Of course if the instruction code is multiplication related one, the ID activates multiplication unit (`mult.v`). Each control signal is shifted along with pipeline and activates each stage.

The ID also issues coming IF stage, and the IF forwards new instruction to ID stage. Then the CPU operation can continue.

If the hardware event signal is asserted, the ID samples it and switches its operation from fetched instruction's to the sequence of the hardware event exception.

(3) EX : Execute

According to controls from ID stage, the EX stage executes register-register operation, or address calculation for next MA stage. It can also issue multiplication related commands to multiplier unit (`mult.v`).

(4) MA : Memory Access

According to controls from ID stage, the MA stage reads/writes data from/to memory. The Aquarius CPU has non-Harvard bus, so the simultaneous IF and MA raise the bus contention. In this case, MA has the higher priority, so the IF is stalled by the MA.

(5) WB : Write Back

According to controls from ID stage, the WB writes back the memory read data to the register Rn. The WB is located at the pipeline tail of memory load instruction.

9.2. Pipeline of each Instruction

All instructions do not always have 5 stages. Figure9.2 shows some pipeline examples of typical instructions.

(1) ALU Operation

The instruction of register-register operation has only 3 stages; IF, ID and EX. The register-register operation is executed in EX stage, including register read, ALU operation, and register write.

(2) Memory Store

The instruction of store to memory has 4 stages; IF, ID, EX and MA. The memory access address is calculated in EX stage, and the write data is also prepared in EX stage.

(3) Memory Load

The instruction of load from memory has 5 stages; IF, ID, EX, MA and WB. The memory access address is calculated in EX stage. The load data is stored to register in WB stage. If the register to be written back is *NOT* same as the register which is used in following instruction, there is no contention, so the pipeline flows without stall.

The EX stage in the later instruction, which uses the written back data in the WB, can be executed at same timing as the WB by the grace of the forwarding apparatus.

(4) Memory Load with Register Contention

If the register to be written back is *SAME* as the register which is used in following instruction, the register contention happens. The ID stage of following instruction is stalled.

(5) Branch Operation

The branch instruction has multiple cycles. In the red square of Figure9.2 (5), you can find 3 pipelines. This means the BT (taken) instruction executes in 3 cycles. Generally, the multiple cycle instructions consist of multiple pipelines. In case of BT, the 1st pipeline calculates the address of branch target, the 2nd pipeline issues instruction fetch of branch target and increments PC, and the 3rd pipeline issues fetch of the next instruction of branch target and increments PC. The details of PC control are described later.

The previous instruction of BT has issued a instruction fetch, but the fetched code will be overwritten by the IF (of branch target) issued by the 2nd pipeline of the BT before sending to ID stage of target instruction. This extra instruction fetch is called “overrun fetch”. The codes fetched by overrun fetch are ignored.

(6) Delayed Branch

The delayed branch has 2 pipelines. The 1st pipeline calculates the address of branch target, the 2nd pipeline issues instruction fetch of branch target and increments PC.

The IF of instruction in delay slot, which has been issued by the previous instruction of the delayed branch, does not disappear (is not overwritten), then the instruction in delay slot is executed correctly before the branch target instruction.

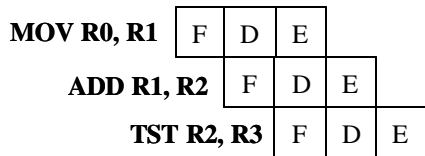
The branch instruction which consists of 2 pipelines becomes delayed branch with delayed slot, and the branch which has 3 pipelines becomes normal branch.

(7) Multiplication

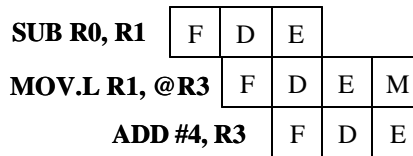
The multiplication related instructions have multiplier stage (“m”) on the pipeline tail. If the result register MACH/MACL does not conflict with followed instruction, there is no pipeline stall. The details of pipeline of multiplication are described in later chapter.

(8) Multiplication with Register Contention

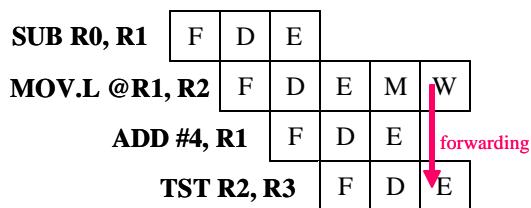
If the result registers MACH/MACL conflict with followed instruction, pipeline stall happens. The details of contention of multiplication related instructions are described in later chapter.



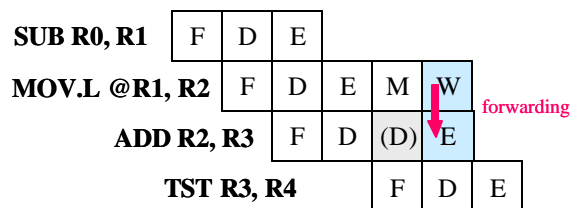
(1) ALU Operation



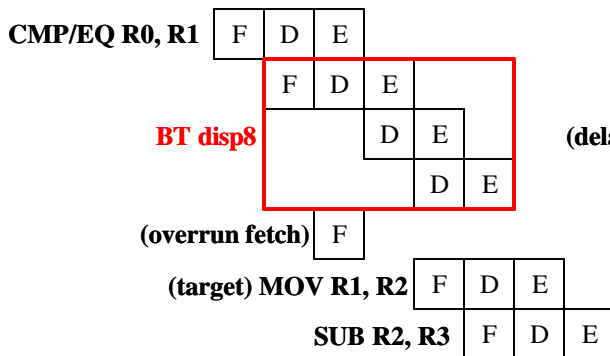
(2) Memory Store



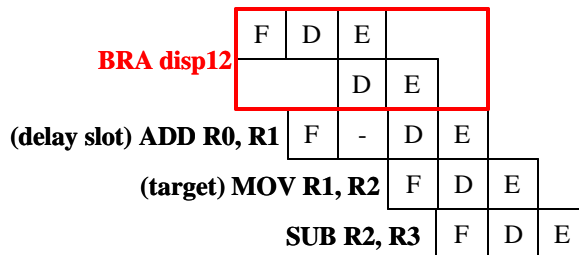
(3) Memory Load (w/o stall)



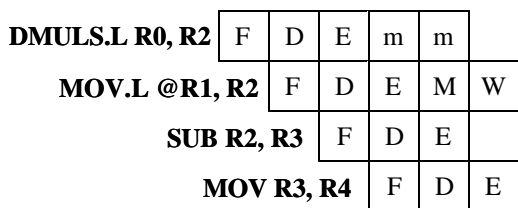
(4) Register Contention
by Memory Load (w/ stall)



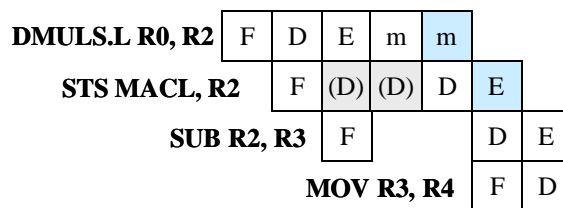
(5) Branch Operation



(6) Delayed Branch Operation



(7) Multiplication



(8) Multiplication (w/ stall)

Figure9.2 Pipeline of each Instruction

9.3. Register Conflict

As described previous section, the memory load instruction may cause register contention. See Figure9.2 (3) and (4).

9.4. Memory Access Conflict

The Aquarius CPU has non-Harvard bus, so the simultaneous IF and MA raise the bus contention, as shown in Figure9.3.

If the bus width is 32bit and the lower 2bit of accessing address is 2'b00, the IF stage can fetch 2 instructions, and the following IF stage does not need to produce actual memory read cycle. The IF stage, which issues actual bus cycle, is shown as "F", and the IF stage, which does not issue real bus cycle and take the instruction from internal buffer, is shown as "f" in the figure. The simultaneous "M" and "F" cause the contention and the pipeline is stalled, but "M" and "f" does not conflict.

Note that, if you locate load/store instruction at long word boundary (address=4n), the MA stage of the instruction does not conflict with IF of post instruction (Figure9.3 (1)), otherwise (address=4n+2), it conflicts (Figure9.3 (2)).

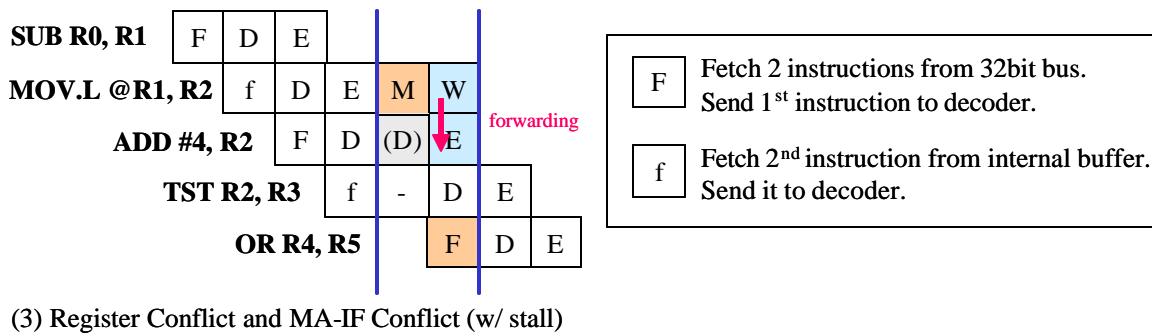
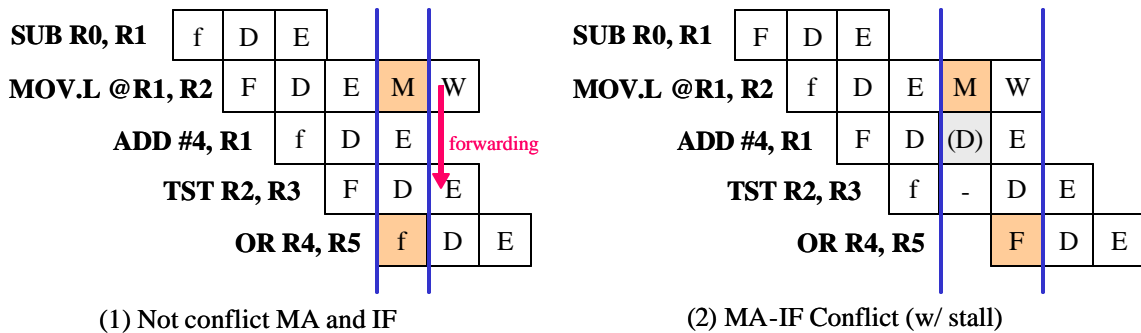


Figure9.3 Conflict between MA and IF

9.5. Who issues IF? Who issues ID?

The ID stage fundamentally controls whole CPU operations. No one issues ID stage. ID stage continues by itself.

The ID stage issues not only EX, MA and WB stages, but also the IF stage of followed instruction as shown in Figure9.4. After the power on reset, at the last sequence of power on reset exception, the IF stages of 1st instruction and 2nd instruction are issued by the last two decode stages in the exception sequence. Each IF stage of all followed instructions is issued by similar manner.

By the issued IF, the corresponding ID stage can get next instruction so that each ID can keep its continuance.

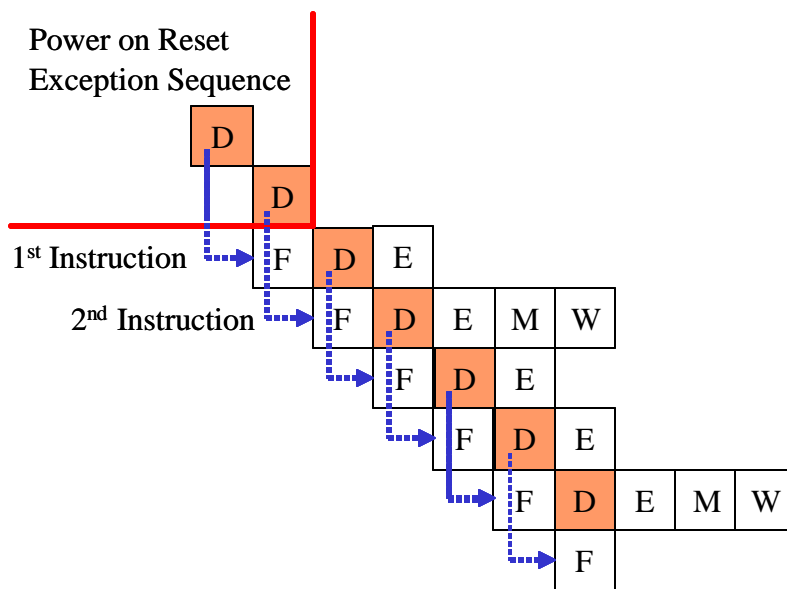


Figure9.4 IF Issue

10. Decoder Unit

This chapter describes the details of decoder unit (`decode.v`).

10.1. IN/OUT Signals

Table10.1 shows all in/out signals of decoder unit.

Class	Direction	Name	From / To	Meaning	Notes
System Signals	input	CLK	EXTERNAL	clock	
	input	RST	EXTERNAL	reset	
Pipeline Slot	input	SLOT	mem.v	pipeline slot	
Instruction Fetch Controls	output	IF_ISSUE	mem.v	fetch request	
	output	IF_JP	mem.v	fetch caused by jump	
	input	[15:0] IF_DR	mem.v	fetch instruction	
	input	IF_BUS	mem.v	fetch access done to external bus	
Memory Access Controls	input	IF_STALL	mem.v	fetch and memory access contention	
	output	MA_ISSUE	mem.v	memory access request	
	output	KEEP_CYC	mem.v	request read-modify-write (To be issued on READ-CYC to keep CYC 0 on)	
	output	MA_WR	mem.v	memory access kind : Write(1)/Read(0)	
Multiply Controls (1)	output	[1:0] MA_SZ	mem.v	memory access size : 00 byte, 01 word, 10 long, 11 inhibited	
	output	MULCOM1	mult.v	Mult M1 Latch Command	
	output	[7:0] MULCOM2	mult.v	Mult M2 Latch Command	
	output	WRMACH, WRMACL	mult.v	Write MACH/MACL	
General Register Controls	input	MAC_BUSY	mult.v	multiplier busy signal (negate at final operation state)	
	output	RDREG_X	datapath.v	read REG to X	
	output	RDREG_Y	datapath.v	read REG to Y	
	output	WRREG_Z	datapath.v	write REG from Z	
	output	WRREG_W	datapath.v	write REG from W	
	output	[3:0] REGNUM_X	datapath.v	specify REG number reading to X	
	output	[3:0] REGNUM_Y	datapath.v	specify REG number reading to Y	
output	[3:0] REGNUM_Z	datapath.v	specify REG number writing from Z		
output	[3:0] REGNUM_W	datapath.v	specify REG number writing from W		
ALU	output	[4:0] ALUFUNC	datapath.v	ALU function	
Memory Access Data	output	WRMAAD_Z	datapath.v	write MAAD from Z	
	output	WRMADW_X	datapath.v	write MADW from X	
	output	WRMADW_Y	datapath.v	write MADW from Y	
	output	RDMADR_W	datapath.v	read MADR to W	

Table10.1 Decoder IN/OUT signals (1)

Class	Direction	Name	From / To	Meaning	Notes
Multiply Controls (2)	output	[1:0] MACSEL1	datapath.v	MAC Selector 1	
	output	[1:0] MACSEL2	datapath.v	MAC Selector 2	
	output	RDMACH_X	datapath.v	read MACH to X	
	output	RDMACL_X	datapath.v	read MACL to X	
	output	RDMACH_Y	datapath.v	read MACH to Y	
	output	RDMACL_Y	datapath.v	read MACL to Y	
SR Controls	output	RDSR_X	datapath.v	read SR to X-bus	
	output	RDSR_Y	datapath.v	read SR to Y-bus	
	output	WRSR_Z	datapath.v	write SR from Z-bus	
	output	WRSR_W	datapath.v	write SR from W-bus	
Latch S bit	output	MAC_S_LATCH	datapath.v	latch S bit before MAC operation	
GBR Controls	output	RDGBR_X	datapath.v	read GBR to X-bus	
	output	RDGBR_Y	datapath.v	read GBR to Y-bus	
	output	WRGBR_Z	datapath.v	write GBR from Z-bus	
	output	WRGBR_W	datapath.v	write GBR from W-bus	
VBR Controls	output	RDVBR_X	datapath.v	read VBR to X-bus	
	output	RDVBR_Y	datapath.v	read VBR to Y-bus	
	output	WRVBR_Z	datapath.v	write VBR from Z-bus	
	output	WRVBR_W	datapath.v	write VBR from W-bus	
PR Controls	output	RDPR_X	datapath.v	read PR to X-bus	
	output	RDPR_Y	datapath.v	read PR to Y-bus	
	output	WRPR_Z	datapath.v	write PR from Z-bus	
	output	WRPR_W	datapath.v	write PR from W-bus	
	output	WRPR_PC	datapath.v	write PR from PC	
PC Controls	output	RDPC_X	datapath.v	read PC to X	
	output	RDPC_Y	datapath.v	read PC to Y	
	output	WRPC_Z	datapath.v	write PC from Z	
	output	INCPC	datapath.v	increment PC	
	output	IFADSEL	datapath.v	IF_AD selector	
Immediate and Displacement Controls	output	[15:0] CONST_IFD	datapath.v	Constant Value from Instruction Field	
	output	CONST_ZERO4	datapath.v	Const = unsigned lower 4bit	
	output	CONST_ZERO42	datapath.v	Const = unsigned lower 4bit * 2	
	output	CONST_ZERO44	datapath.v	Const = unsigned lower 4bit * 4	
	output	CONST_ZERO8	datapath.v	Const = unsigned lower 8bit	
	output	CONST_ZERO82	datapath.v	Const = unsigned lower 8bit * 2	
	output	CONST_ZERO84	datapath.v	Const = unsigned lower 8bit * 4	
	output	CONST_SIGN8	datapath.v	Const = signed lower 8bit	
	output	CONST_SIGN82	datapath.v	Const = signed lower 8bit * 2	
	output	CONST_SIGN122	datapath.v	Const = signed lower 12bit * 2	
	output	RDCONST_X	datapath.v	read CONST to X	
output	RDCONST_Y	datapath.v	read CONST to Y		
Forwarding	output	REG_FWD_X	datapath.v	forward REG from W to X	
	output	REG_FWD_Y	datapath.v	forward REG from W to Y	

Table10.1 Decoder IN/OUT signals (2)

Class	Direction	Name	From / To	Meaning	Notes
Compare Controls	output	[2 : 0] CMPCOM	datapath.v	define comparator operation (command)	
Shifter Controls	output	[4 : 0] SFTFUNC	datapath.v	Shifter Function	
	output	RDSFT_Z	datapath.v	read SFTOUT to Z-BUS	
	input	T_BCC	datapath.v	T value for Bcc judgement	
	output	T_CMPSET	datapath.v	reflect comparator result to T	
	output	T_CRYSET	datapath.v	reflect carry/borrow out to T	
T bit	output	T_TSTSET	datapath.v	reflect tst result to T	
Q Bit	output	T_SFTSET	datapath.v	reflect shifted output to T	
M bit	output	QT_DV1SET	datapath.v	reflect DIV1 result to Q and T	
Controls	output	MQT_DV0SET	datapath.v	reflect DIV0S result to M, Q and T	
	output	T_CLR	datapath.v	clear T	
	output	T_SET	datapath.v	set T	
	output	MQ_CLR	datapath.v	clear M and Q	
TEMP Register	output	RDTEMP_X	datapath.v	read TEMP to X-bus	
	output	WRTEMP_Z	datapath.v	write to TEMP from Z-bus	
Controls	output	WRMAAD_TEMP	datapath.v	output MAAD from TEMP	
	input	[2 : 0] EVENT_REQ	EXTERNAL	event request	
Hardware Events	output	EVENT_ACK	EXTERNAL	event acknowledge	
	input	[11 : 0] EVENT_INFO	EXTERNAL	event information (ILEVEL[3:0] VECTOR[7:0])	
	output	RST_SR	datapath.v	reset SR	
SR and I bit Controls	input	[3 : 0] IBIT	datapath.v	I bit in SR	
	output	[3 : 0] ILEVEL	datapath.v	IRQ Level	
	output	WR_IBIT	datapath.v	Write ILEVEL to I bit in SR	
SLEEP	output	SLP	EXTERNAL	Sleep output	

Table10.1 Decoder IN/OUT signals (3)

10.2. Structure of Decoder Unit

Figure10.1 shows whole structure of decoder unit. The huge truth table generates all control signals for each block in CPU. The huge truth table (combinational circuit) receives 2 input signal groups. One is INSTR_STATE[15:0] and the other is INSTR_SEQ[3:0].

The INSTR_STATE[15:0] shows the instruction code that should be processed in decoder unit. The IR register is reset by RST signal, so that the initial state of INSTR_STATE[15:0] is set to `POWER_ON_RESET(16'hF700).

The INSTR_STATE[15:0] is basically same as IF_DR, which is fetched instruction code. But if interrupt or hardware exception event is detected, the INSTR_STATE[15:0] is replaced to corresponding exception code according to EVENT_REQ[2:0] and EVENT_INFO[11:0] ,

then the signal IF_DR_EVT[15:0] is created. Here, the some necessary controls for masking interrupt or hardware exception are performed, that is,

(1) All exceptions are masked after delayed branch (i.e. the instruction in branch slot is never replaced to exception sequence) using DELAY_SLOT signal which comes from the huge truth table..

(2) Some specific instructions such as LDC/LDC.L mask interrupt (i.e. an instruction just after the instruction which masks interrupt is never replaced to interrupt sequence) using MASKINT signal from huge truth table.

(3) If the priority level of IRQ is less than I bit in SR, the interrupt request should be ignored.

The IF_DR is updated by memory controller regardless of instruction sequence because the decoder itself requests IF as its own operation. So, IF_DR (IF_DR_EVT) should be latched to IR register, if the instruction needs multiple cycles (including memory waits and pipeline stalls).

The INSTR_SEQ[3:0] has its meanings only when the executing instruction has multiple cycles. Its default value is 4'b0000, and the multi-cycle instruction increments INSTR_SEQ to make multiple pipelines as shown in, for example, Figure9.2 (BT, BRA).

The reset state of INSTR_SEQ (when RST asserted) is set to 4'b0001 to begin power on reset sequence, because the value 4b0000 has specific meaning for the control of the decoder's state machine, as shown in later (Table10.2).

The combination of INSTR_STATE and INSTR_SEQ specify whole control signal states via the huge truth table. This combinational circuit also outputs a signal DISPATCH. Its assertion indicates that the pipeline stage of instruction is final. If the DISPATCH is asserted, INSTR_STATE should be updated according to IF_DR or proper exception code (IF_DR_EVT), and INSTR_SEQ should be reset to zero.

The detail state controls are shown in Table10.2. The way of controls depends on status of pipeline stall. The signals NEXT_ID_STALL and ID_STALL indicate the status of pipeline stall. The signal meanings are describes in later section.

Figure10.2 shows a operation image of the decoder state machine. And Figure10.3 shows a basic example of ID stage operation.

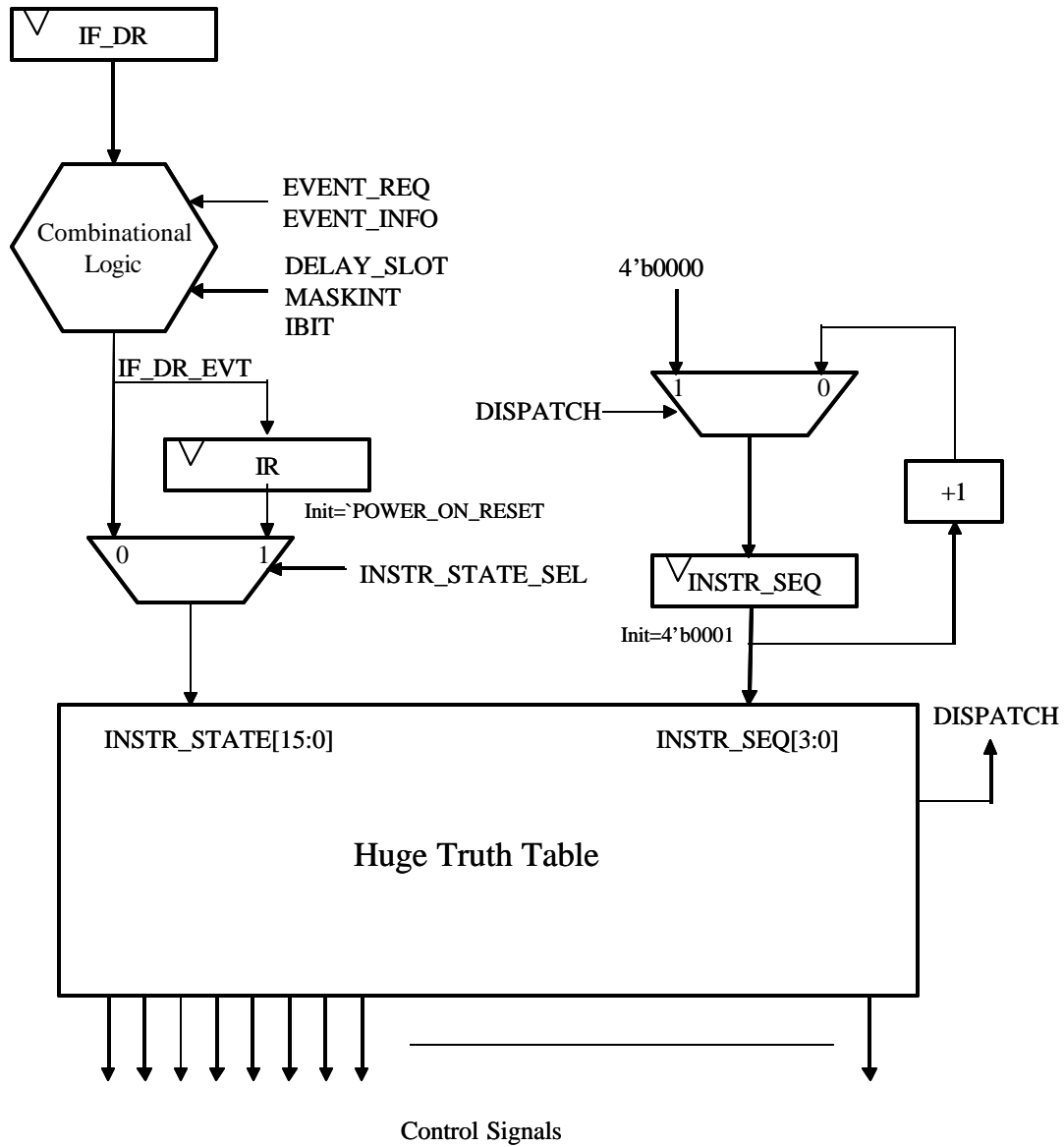


Figure10.1 State Machine in Decoder Unit

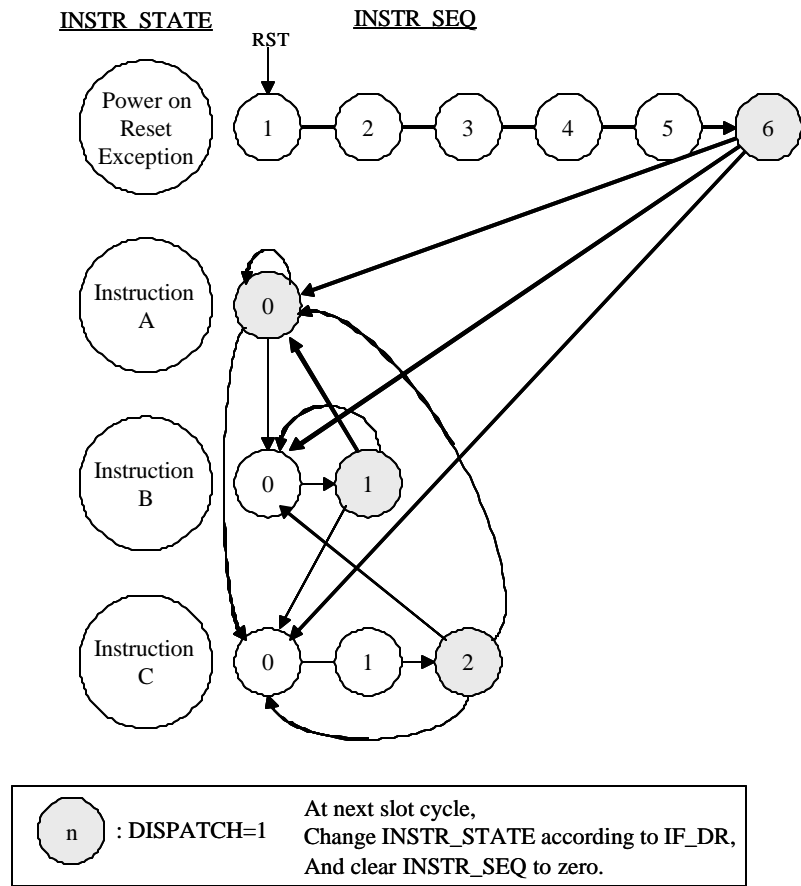


Figure10.2 State Transition

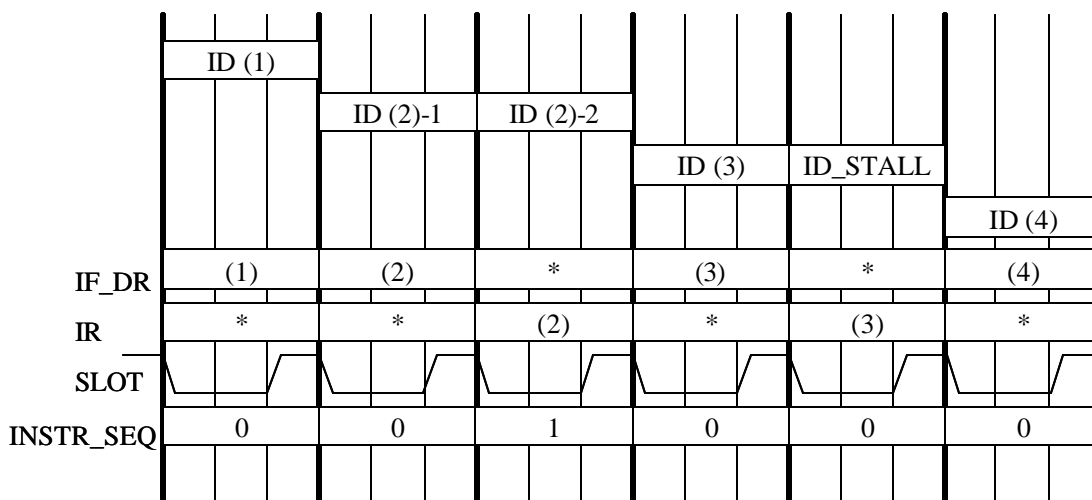


Figure10.3 Basic Operation of State Machine in Decoder Unit

SLOT	Input				Output	@Next Slot		Notes
	NEXT_ID_STALL	ID_STALL	DISPATCH	INSTR_SEQ	INSTR_STATE	INSTR_SEQ	IR	
0	*	*	*	*	IR	Keep	Keep	Not Changed
1	0	0	0	>=0001	IR	+1	Keep	During Multi-Cycle Instruction
1	0	0	0	=0000	IF DR EVT	+1	IF DR EVT	First ID Stage of Multi-Cycle Instruction
1	0	0	1	>=0001	IR	Clear0	Keep	Final ID Stage of Multi-Cycle Instruction
1	0	0	1	=0000	IF DR EVT	Clear0	IF DR EVT	ID Stage of Single Cycle Instruction
1	0	1	0	>=0001	IR	+1	Keep	Stalled Last Slot during Multi-Cycle Instruction
1	0	1	0	=0000	IR	+1	Keep	Stalled Last Slot of first ID stage of Multi-Cycle Instruction
1	0	1	1	>=0001	IR	Clear0	Keep	Stalled Last Slot of Final ID Stage of Multi-Cycle Instruction
1	0	1	1	=0000	IR	Clear0	Keep	Stalled Last Slot of ID Stage of Single Cycle Instruction
1	1	0	0	>=0001	IR	Keep	Keep	Stalled First Slot during Multi-Cycle Instruction
1	1	0	0	=0000	IF DR EVT	Keep	IF DR EVT	Stalled First Slot of first ID stage of Multi-Cycle Instruction
1	1	0	1	>=0001	IR	Keep	Keep	Stalled First Slot of Final ID Stage of Multi-Cycle Instruction
1	1	0	1	=0000	IF DR EVT	Keep	IF DR EVT	Stalled First Slot of ID Stage of Single Cycle Instruction
1	1	1	0	>=0001	IR	Keep	Keep	Stalling Slot during Multi-Cycle Instruction
1	1	1	0	=0000	IR	Keep	Keep	Stalling Slot of first ID stage of Multi-Cycle Instruction
1	1	1	1	>=0001	IR	Keep	Keep	Stalling Slot of Final ID Stage of Multi-Cycle Instruction
1	1	1	1	=0000	IR	Keep	Keep	Stalling Slot of ID Stage of Single Cycle Instruction

Table10.2 State Controls of Decoder Unit

10.3. Shifting Control Signals

The decoder unit makes many control signals to control whole CPU blocks. These control signals are generated by the huge truth table as described above. The output timing of all control signals is always on ID stage. But these signals should control not only ID stage operations but also EX, MA and WB stage operations. So the signals which control EX or WB should be shifted as shown in Figure10.4. Actually, the flip-flops shown in Figure10.5 are used to shift each control signal.

Note that MA controls are performed in EX stage because how to issue the MA can be determined in EX stage, in which address of MA is calculated and write data is prepared.

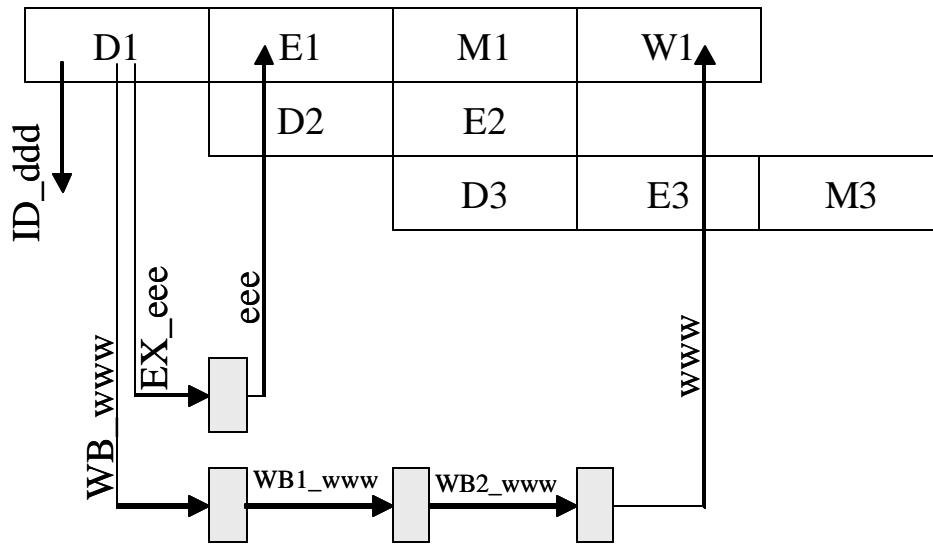


Figure 10.4 Shifting Control Signals

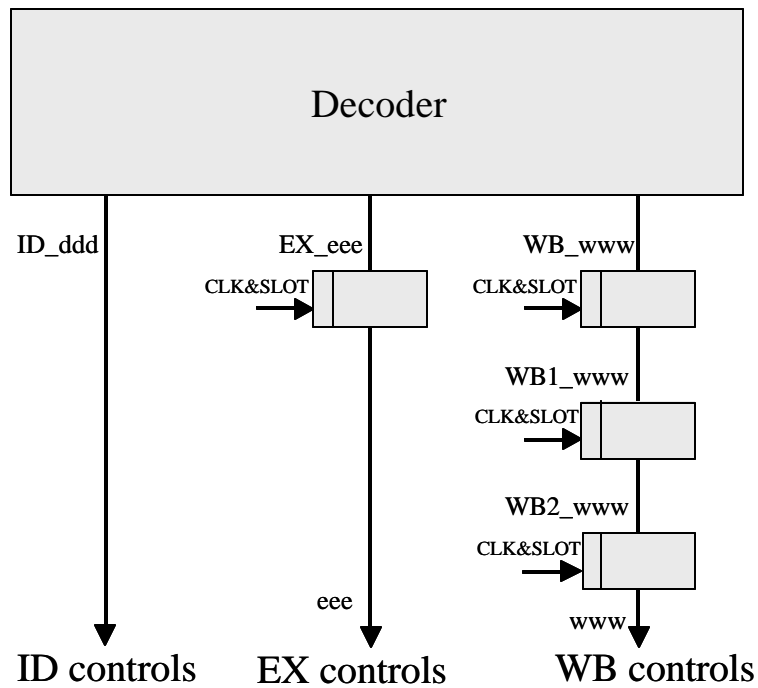


Figure 10.5 Shifting Circuit

10.4. Pipeline Stall

The pipeline is stalled by following 4 reasons.

[1] Wait States on Instruction Fetch (IF) or Data Access (MA)

All pipeline slots are synchronized to memory access. The signal SLOT from `mem.v` indicates the each slot edge. If there is no memory access or there is memory access without wait state, the pipeline slot do not stalls (SLOT=1). If there is memory access with wait state, the pipeline stalls (SLOT=0) until SLOT signal is asserted (it means the wait state finishes). So the clock inputs of whole flip-flops for controls are gated by SLOT signal. Only by this clock gating, such kind of pipeline stall is fully controlled. See Figure10.6.

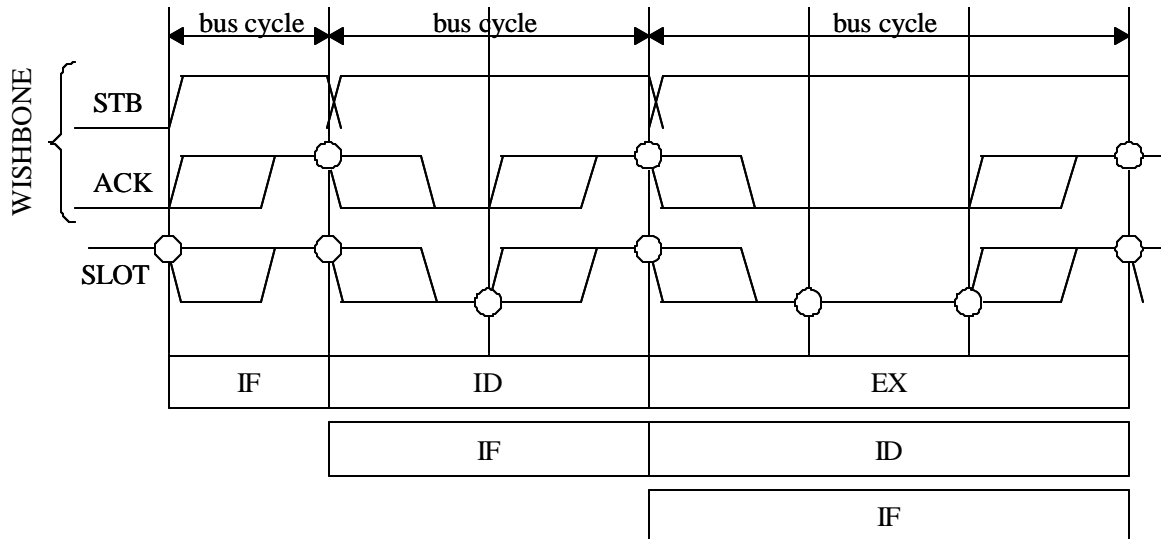


Figure10.6 Bus Wait State and Slot control

[2] Conflict IF and MA

As you know, the simultaneous IF and MA conflicts and make the pipeline stalls as shown in Figure9.3. The memory access controller (`mem.v`) detects IF-MA conflicts and informs the events to decoder unit using a signal `IF_STALL`. The circuit for conflict detection receives `IF_STALL`, then controls pipeline stalling.

[3] Multiplication Contention

As shown in, for example, Figure9.2 (8), the multiplication related instruction may

cause pipeline stall. This is controlled by using MAC_BUSY signal from `mult.v` and signals WB_MAC_BUSY, EX_MAC_BUSY and MAC_STALL_SENSE from the huge truth table in decoder unit. By the methods described in later section, the multiplication related stall signal MAC_STALL is generated. The circuit for conflict detection receives MAC_STALL, then controls pipeline stalling.

[4] Register Contention

Memory load instruction may cause register contention with followed instruction which uses the write back data of the previous load instruction. The circuit for conflict detection watches pipeline control signals as shown in Figure 10.7 and make a conflict indicate signal REG_CONF. In this case, MOV.L @R0,R1 and ADD R1, R2 cause R1 conflict. At the ID stage of ADD, the control signal to read R1 (EX_RDREG_X or EX_RDREG_Y) for ADD instruction and the *shifted* control signal to write back to R1 (WB1_WRREG_W) for MOV.L instruction are asserted simultaneously. This means there is R1 confliction, so the ID stage of ADD should be stalled.

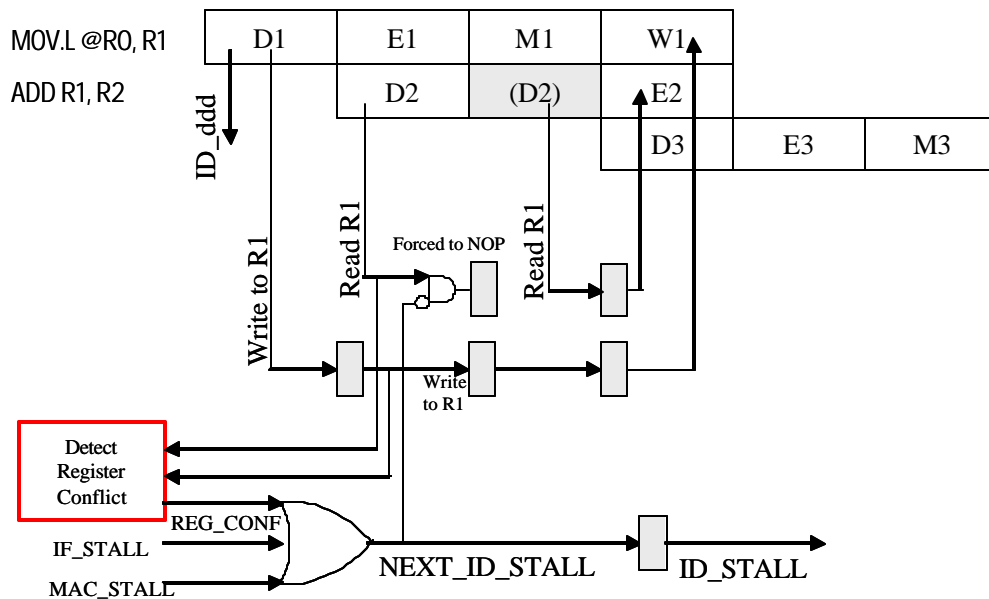


Figure 10.7 Detecting Register Conflict

Regarding above [2] [3] [4], IF_STALL, MAC_STALL and REG_CONF are ored and the NEXT_ID_STALL is created.

The NEXT_ID_STALL means that the ID stall continues by at least next slot.

Note that the ID stage with NEXT_ID_STALL=1 should force to NOP the control signals for each CPU block because the stage has no meanings regarding execution of the instruction.

If NEXT_ID_STALL is asserted, the ID_STALL should be asserted at the next slot.

See Figure10.8 regarding some examples of the stall control.

The meanings of combination of NEXT_ID_STALL and ID_STALL are shown in Table10.3.

NEXT_ID_STALL	ID_STALL	Meanings	Control Signals
0	0	No Pipeline Stalls	Active
0	1	ID is stalled. The stalled slot is final one.	Active
1	0	ID is stalled. The stalled slot is first one.	Force to NOP
1	1	ID is stalled. The stalled slot will continue.	Force to NOP

Table10.3 Combination of NEXT_ID_STALL and ID_STALL

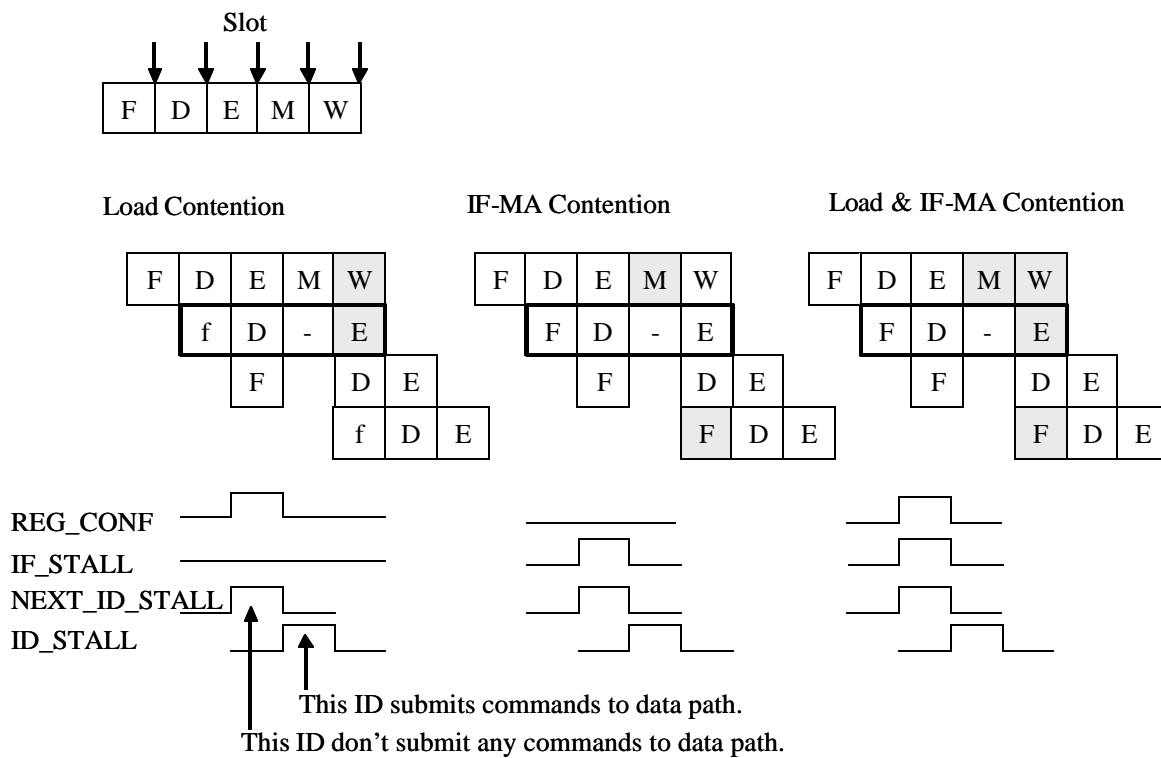


Figure10.8 Controls of ID stall

10.5. Register Forwarding

As shown in Figure9.2 and Figure9.3, register forwarding should be implemented not to reduce CPU cycle performance. After the memory load instruction, the register forwarding may be needed. This situation can be detected by watching some control signals. This is very similar to the detection of register conflict. If register content should be forwarded from Write Back Bus (W-BUS) to Register Read Bus X (X-BUS) in the data path unit, the signal REGFWD_X is asserted. If register content should be forwarded from W-BUS to Register Read Bus Y (Y-BUS), the signal REGFWD_Y is asserted. Actual forwarding transfer is performed in data path unit. Also see the chapter of data path unit.

Some examples are described in next section.

10.6. Examples of Pipeline Control

From Figure10.9 to Figure10.11 shows some examples of pipeline controls including stall control and register forwarding.

(1) Memory Load Contention (Figure10.9)

The Slot4 detects register contention, then REG_CONF is asserted. The ID at slot4 (ADD) is stalled. The Slot6 forwards write back data of MOV.L to EX stage of ADD.

(2) Contention of IF and MA (Figure10.10)

The EX of MOV.L asserts MA_ISSUE, and the IF of ADD asserts IF_ISSUE. This means the IF-MA confliction. Then, the memory access controller returns IF_STALL at slot4 and the ID in slot4 (ADD) is stalled.

(3) Delayed Branch (Figure10.11)

The 1st EX of BRA (slot4) makes fetch address of SUB (target), and 2nd EX make fetch address of AND.

10.7. Control of Program Counter

As described in last chapter, the ID stage issues IF stage. This is rigidly true. But the timing of changing PC has 2 cases.

[1] When program runs straight forward, the PC is incremented at ID stage.

[2] When program branches, the PC is changed at EX stage.

Figure10.12 shows good example of PC controls including exception sequence and branch operation.

Memory Load Contention

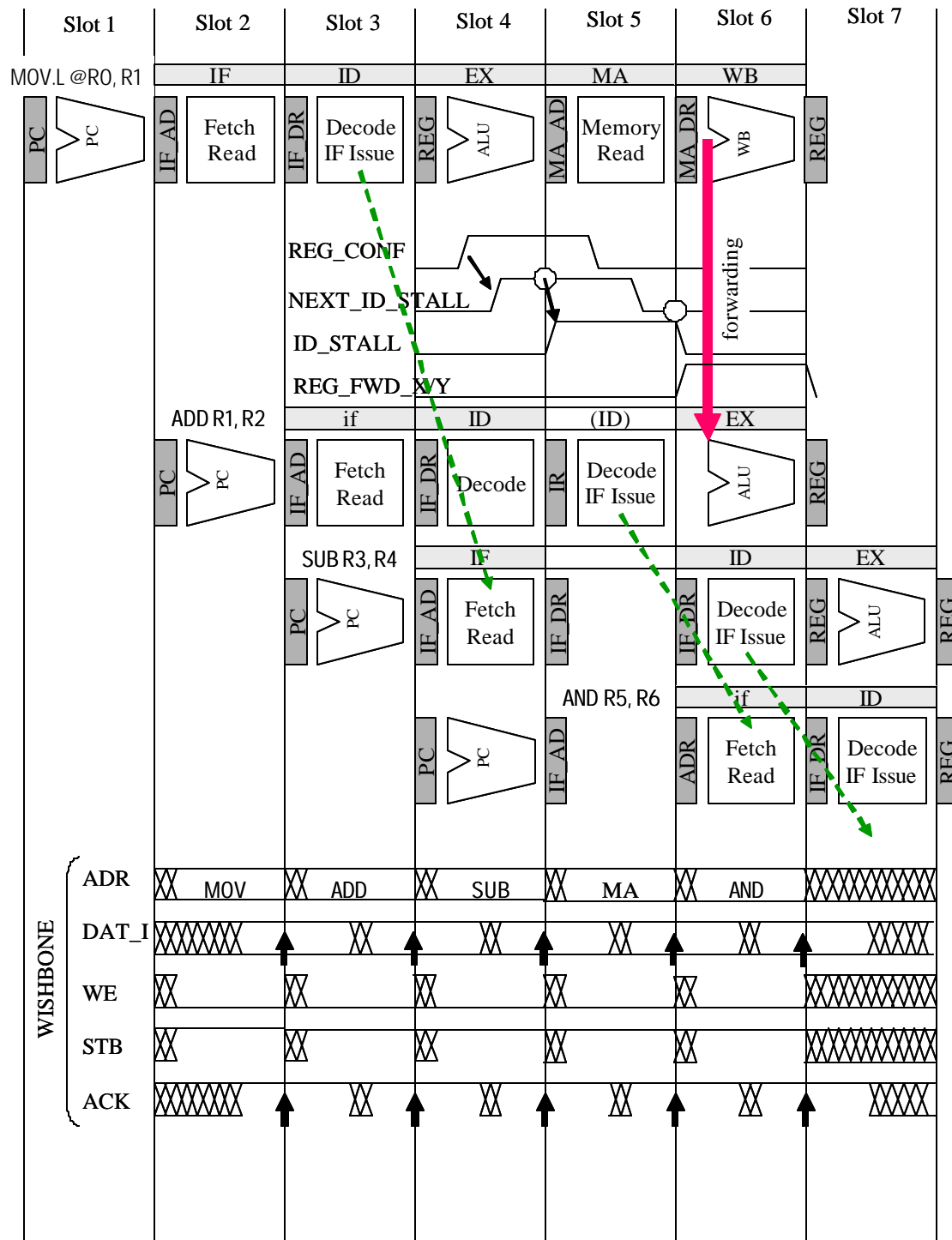


Figure 10.9 Memory Load Contention

Contention of IF and MA

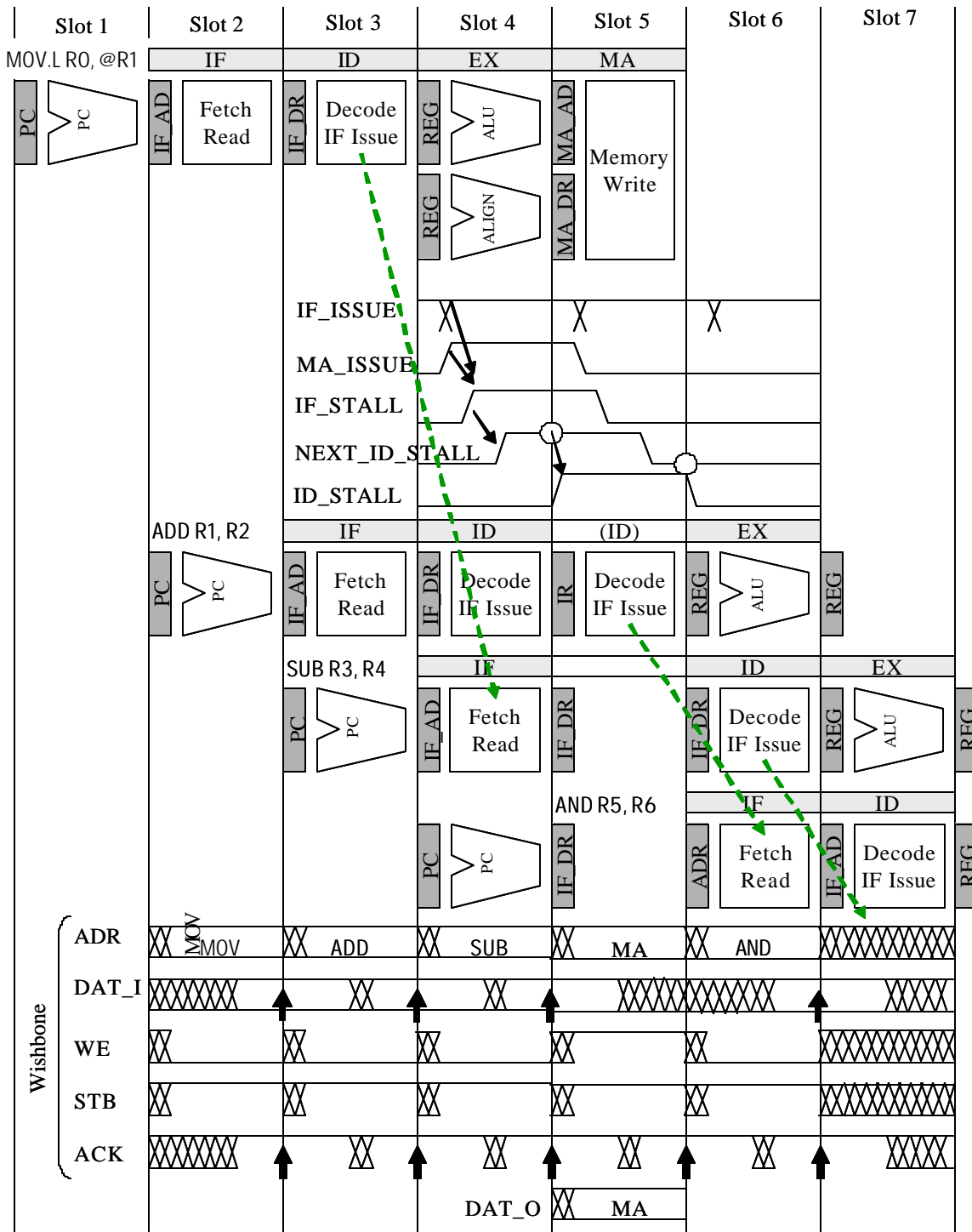


Figure10.10 Contention of IF and MA

Delayed Branch

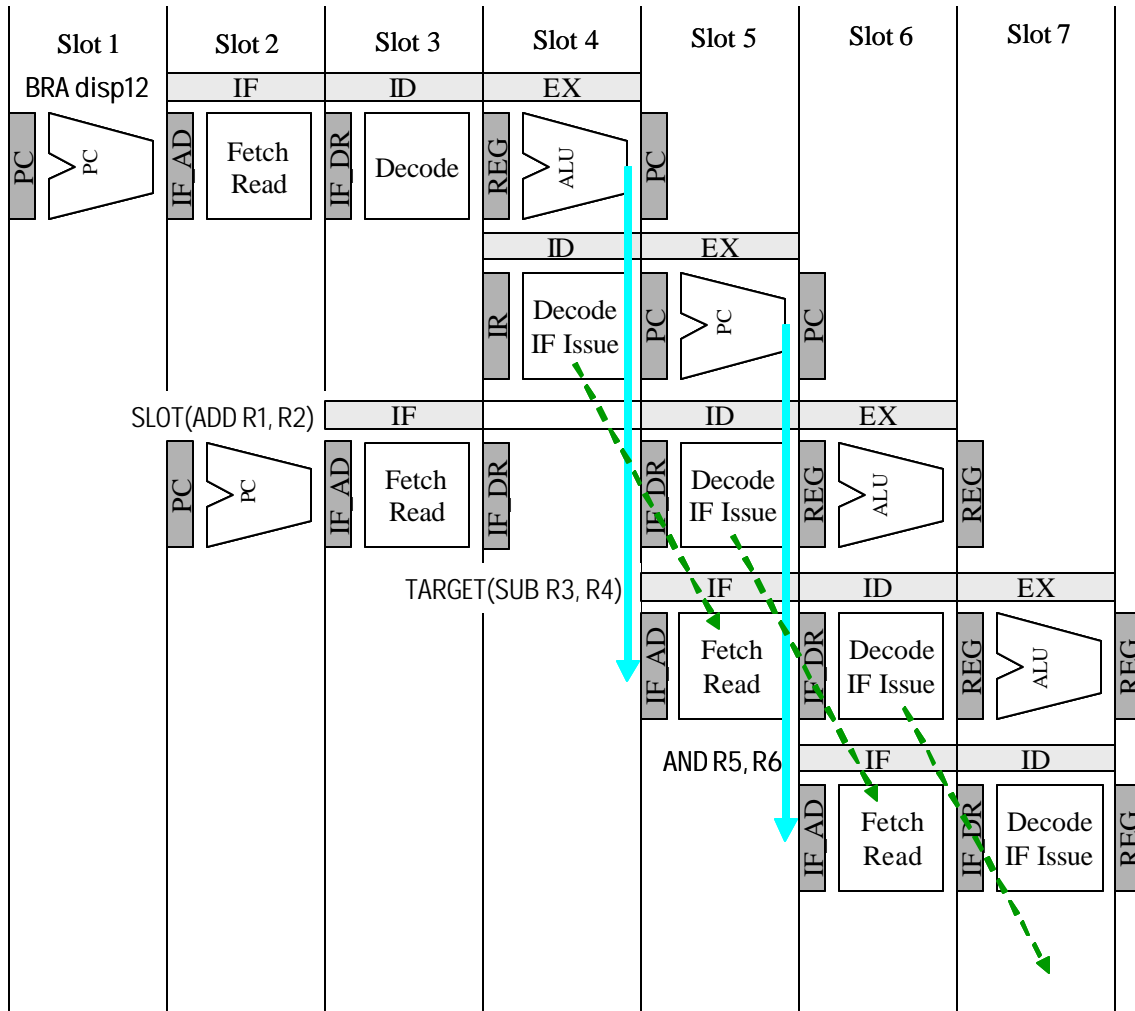


Figure 10.11 Control of Delayed Branch

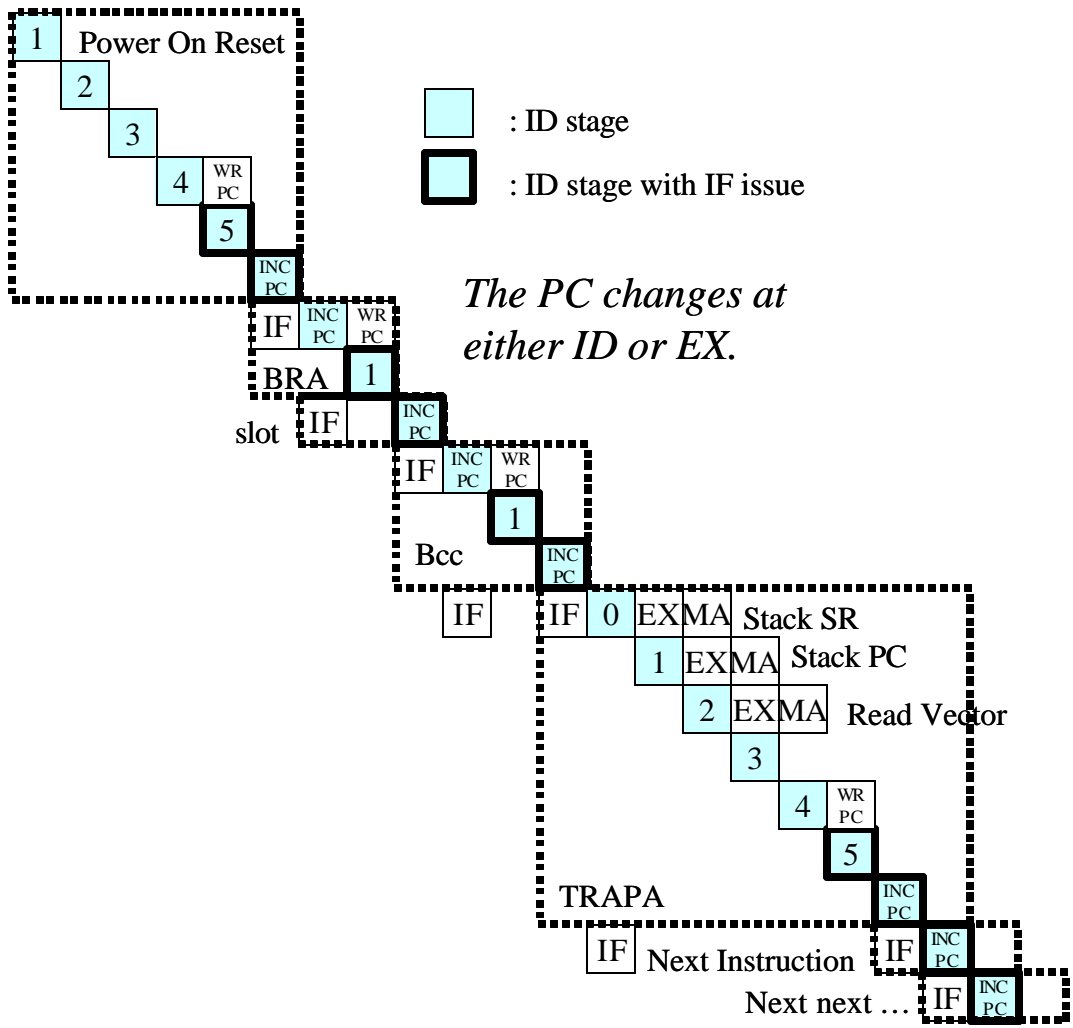


Figure10.12 PC Controls

11. Memory Access Control Unit

This chapter describes the details of memory access control unit (mem.v).

11.1. IN/OUT Signals

Table11.1 shows all in/out signals of memory access control unit.

(Although a signal IF_BUS goes to decoder unit, it is not used.)

Class	Direction	Name	From / To	Meaning	Notes
System Signals	input	CLK	EXTERNAL	clock	
	input	RST	EXTERNAL	reset	
WISHBONE Bus Signals	output	CYC	EXTERNAL	cycle output	
	output	STB	EXTERNAL	strobe	
	input	ACK	EXTERNAL	external memory ready	
	output	[31 : 0] ADR	EXTERNAL	external address	
	input	[31 : 0] DATI	EXTERNAL	external data read bus	
	output	[31 : 0] DATO	EXTERNAL	external data write bus	
	output	WE	EXTERNAL	external write/read	
	output	[3 : 0] SEL	EXTERNAL	external valid data position	
	input	IF_WIDTH	EXTERNAL	external fetch space width (IF_WIDTH)	
SLOT	output	SLOT	ALL in CPU	pipeline slot edge	
Instruction Fetch Commands	input	IF_ISSUE	decode.v	fetch request	
	input	IF_JP	decode.v	fetch caused by jump	
	input	[31 : 0] IF_AD	datapath.v	fetch address	
	output	[15 : 0] IF_DR	datapath.v	fetch instruction	
	output	IF_BUS	decode.v	fetch access done to extenal bus	
	output	IF_STALL	decode.v	fetch and memory access contention	
Memory Access Commands	input	MA_ISSUE	decode.v	memory access request	
	input	KEEP_CYC	decode.v	request read-modify-write (Asserted on READ-CYC to keep CYC_O=1)	
	input	MA_WR	decode.v	memory access kind : Write(1)/Read(0)	
	input	[1 : 0] MA_SZ	decode.v	memory access size 00 byte, 01 word, 10 long, 11 inhibited	
	input	[31 : 0] MA_AD	datapath.v	memory access address	
	input	[31 : 0] MA_DW	datapath.v	memory write data	
	output	[31 : 0] MA_DR	datapath.v	memory read data	

Table11.1 Memory Access Control Unit IN/OUT Signals

11.2. WISHBONE's ACK and Aquarius' SLOT

As described last chapter, the signal SLOT indicates the pipeline slot edges, and is created from WISHBONE's ACK signal in the memory access control unit. The clocks of each

flip-flop in Aquarius CPU are gated by SLOT signal, so that the pipeline stall derived from memory access cycle is easily controlled.

The waveform of SLOT is very similar to ACK, except that the SLOT is asserted if there is no memory access cycle, as shown in Figure 11.1's second slot. If external memory is accessed, the waveform of SLOT follows to ACK signal.

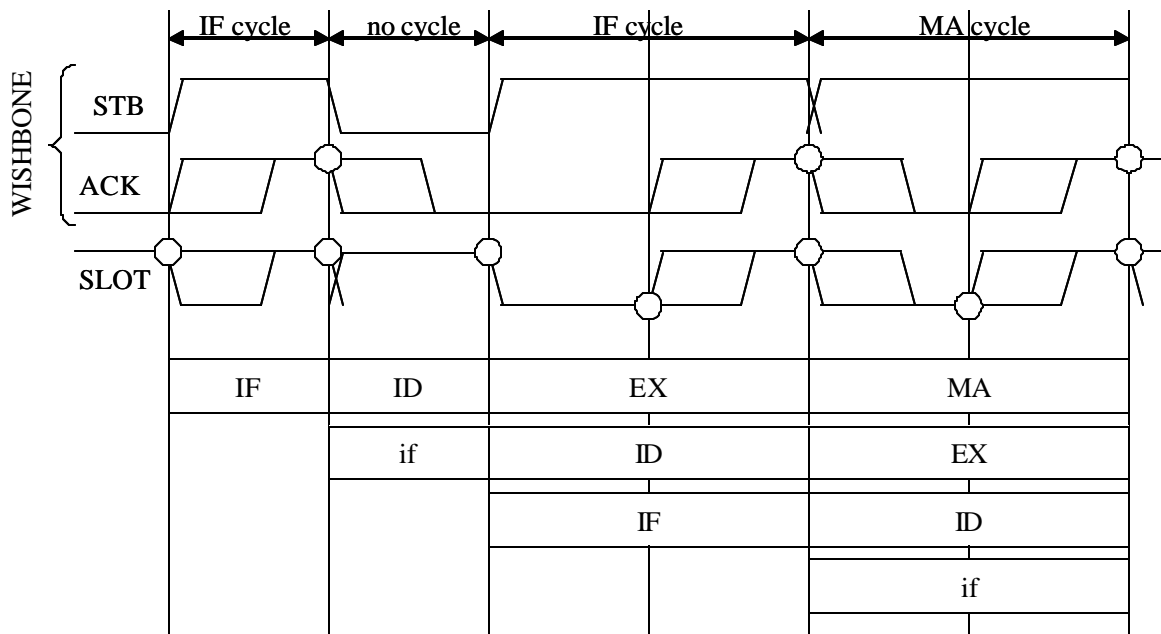


Figure 11.1 WISHBONE's ACK and Aquarius' SLOT

11.3. Instruction Fetch Cycle

The decoder unit requests instruction fetch to the memory access control unit. Some examples of instruction fetch controls are shown in Figure 11.2.

The instruction fetch starts at next slot of IF_ISSUE=1. When IF_ISSUE=1, IF_AD[31:0] and IF_JP should be valid state. IF_AD[31:0] shows the address of instruction which the decoder unit want to get.

If external bus width is 32bit (IF_WIDTH=1), 2 instructions are fetched simultaneously. This means the memory access control unit creates actual memory access for instruction fetch every two slots, using internal fetch buffer. But if the instruction fetch is created by Jump or Branch, the fetch should actually access the memory even if the internal fetch buffer has been valid. So, Jumping operation by instruction or exception sequence should

inform such state to memory access control unit by asserting IF_JP with IF_ISSUE. The fetched instruction IF_DR[15:0] is valid at next slot of corresponding IF cycle.

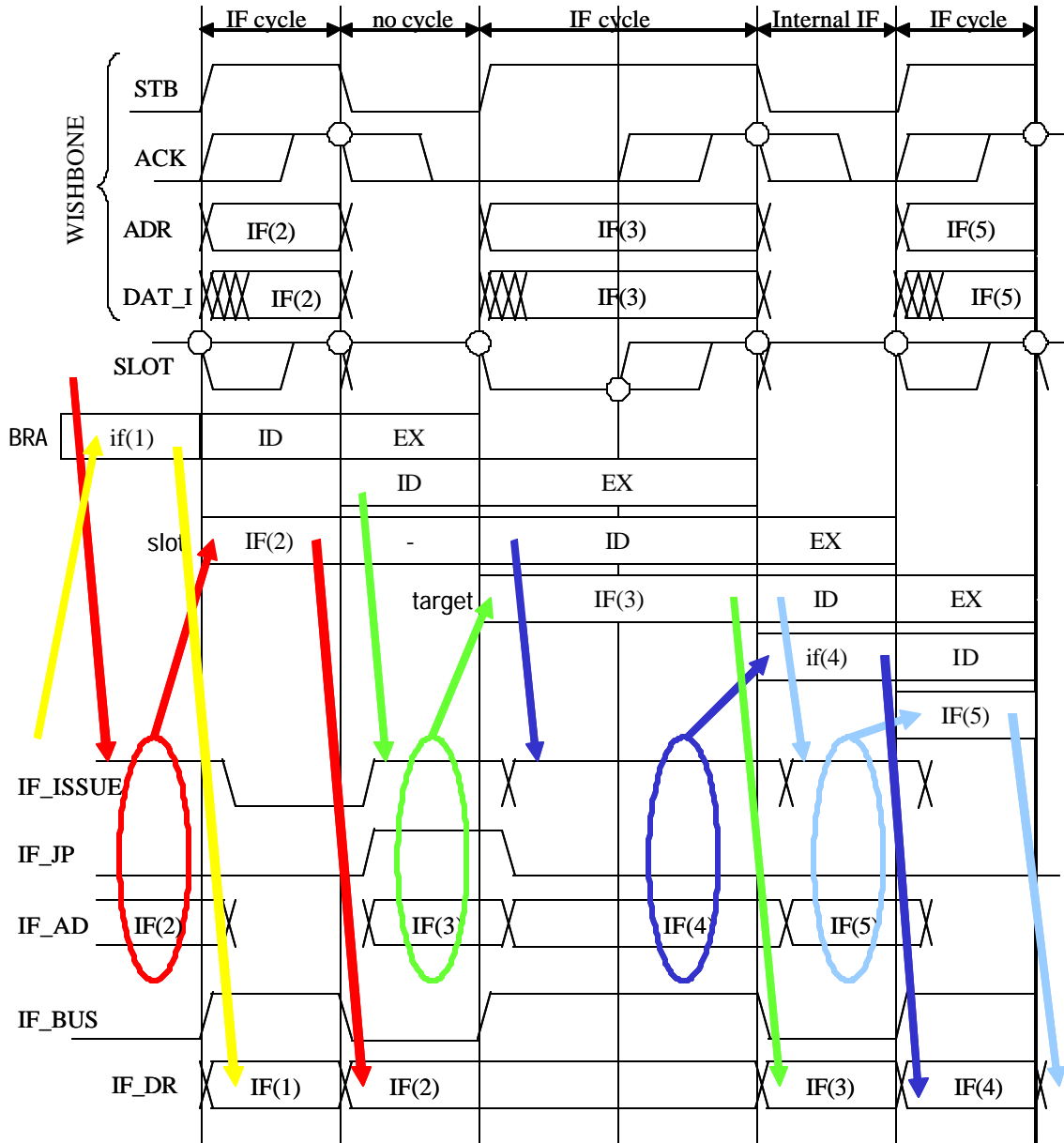


Figure 11.2 Instruction Fetch Cycle

11.4. Memory Access Cycle

Figure 11.3 shows memory access control. Similar to instruction fetch, MA starts at next slot of MA_ISSUE=1. Some attribute information such as access size MA_SZ[1:0], access

direction MA_RW, address MA_AD[31:0] and, if write access, write data MA_WD[31:0] should be valid when IF_ISSUE=1.

The write data in MA_DW[31:0] should be valid in its LSB side when access size is smaller than long word. The read data MA_DR[31:0] is valid with sign extended at next slot of corresponding MA cycle.

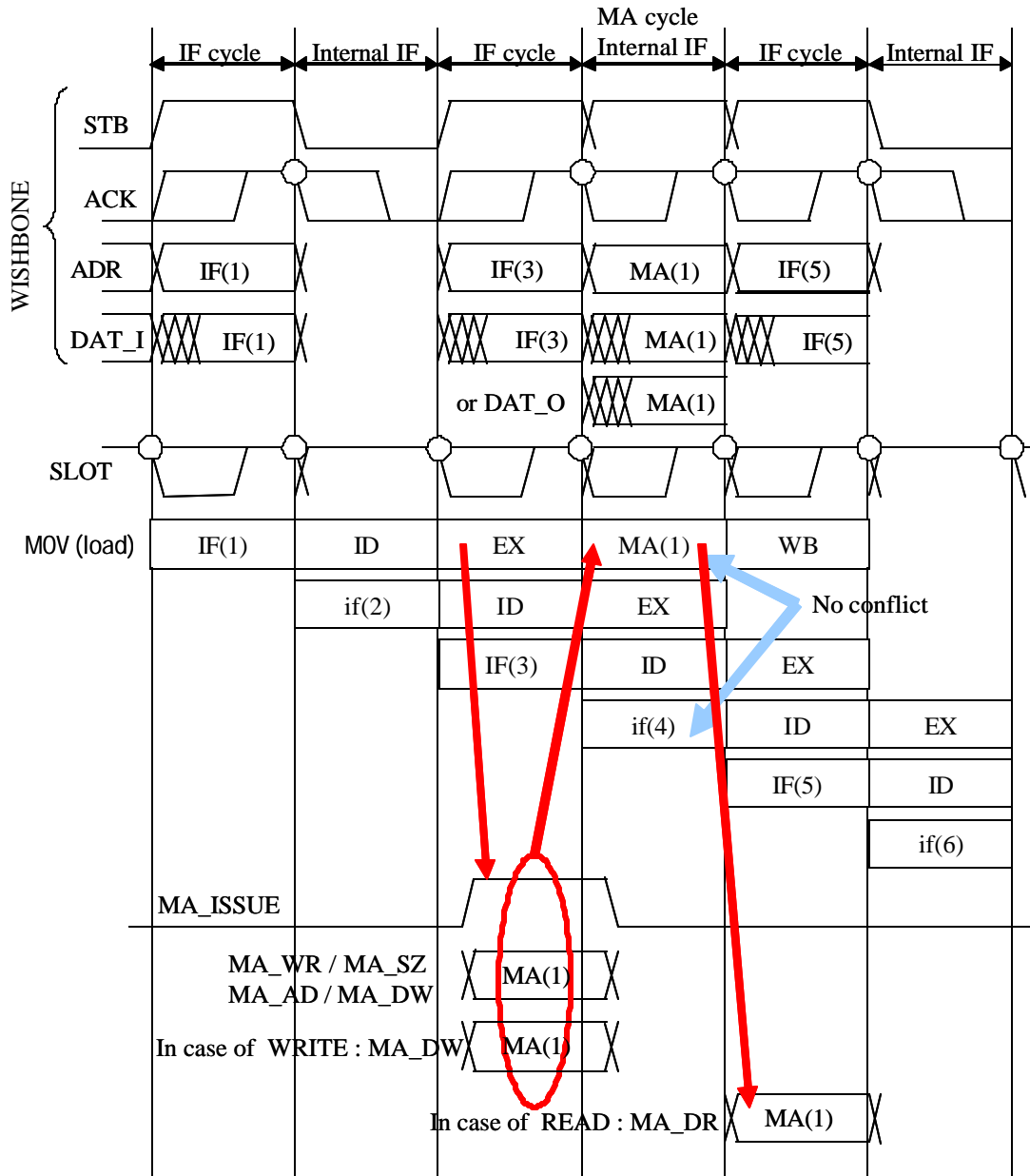


Figure11.3 Memory Access Cycle

11.5. IF-MA Conflict

Figure 11.4 shows the IF-MA conflict. At 3rd slot, IF_ISSUE and MA_ISSUE are asserted at same time. If the IF should get a instruction from external memory (not from internal instruction buffer), IF_ISSUE=1 & MA_ISSUE=1 means IF-MA contention.

When IF and MA conflict, the memory access control unit asserts the signal IF_STALL and inform such situation to the decoder unit. The memory access control unit starts MA cycle first, and after the MA, it begins IF cycle.

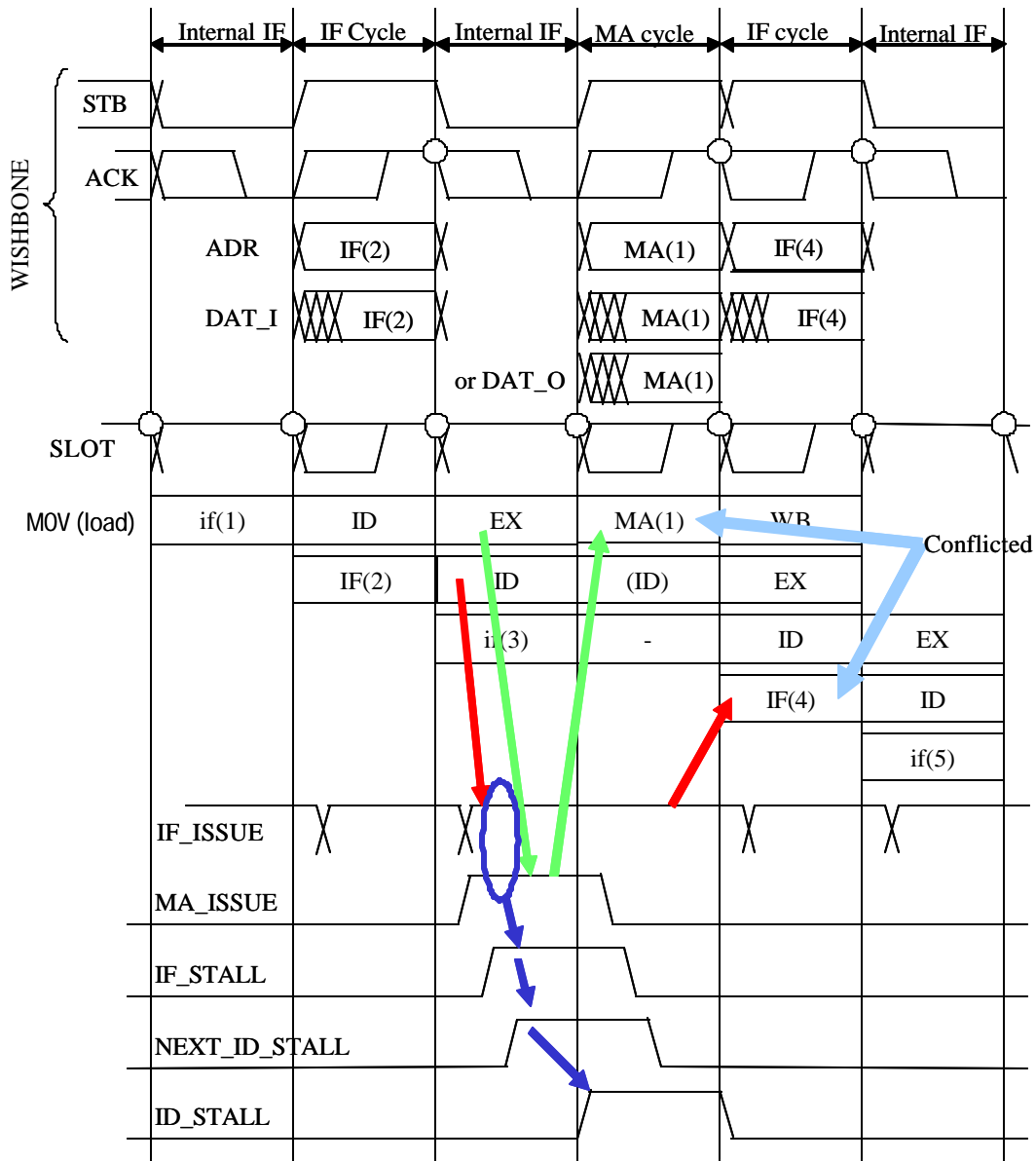


Figure 11.4 IF-MA Conflict

11.6. Bus Width of Instruction Fetch Cycle (IF_WIDTH)

If data width of instruction fetch space is 32bit, the WISHBONE bus should return IF_WIDTH=1, or it should return IF_WIDTH=0. If IF_WIDTH=0, internal fetch buffer of the memory access control unit can get only one instruction, so next instruction fetch requested by decoder unit should produce actual memory access, as shown in Figure 11.5. Note that IF_WIDTH has its meaning only when lower 2bit of fetch address is 2'b00 as described in Part 1.

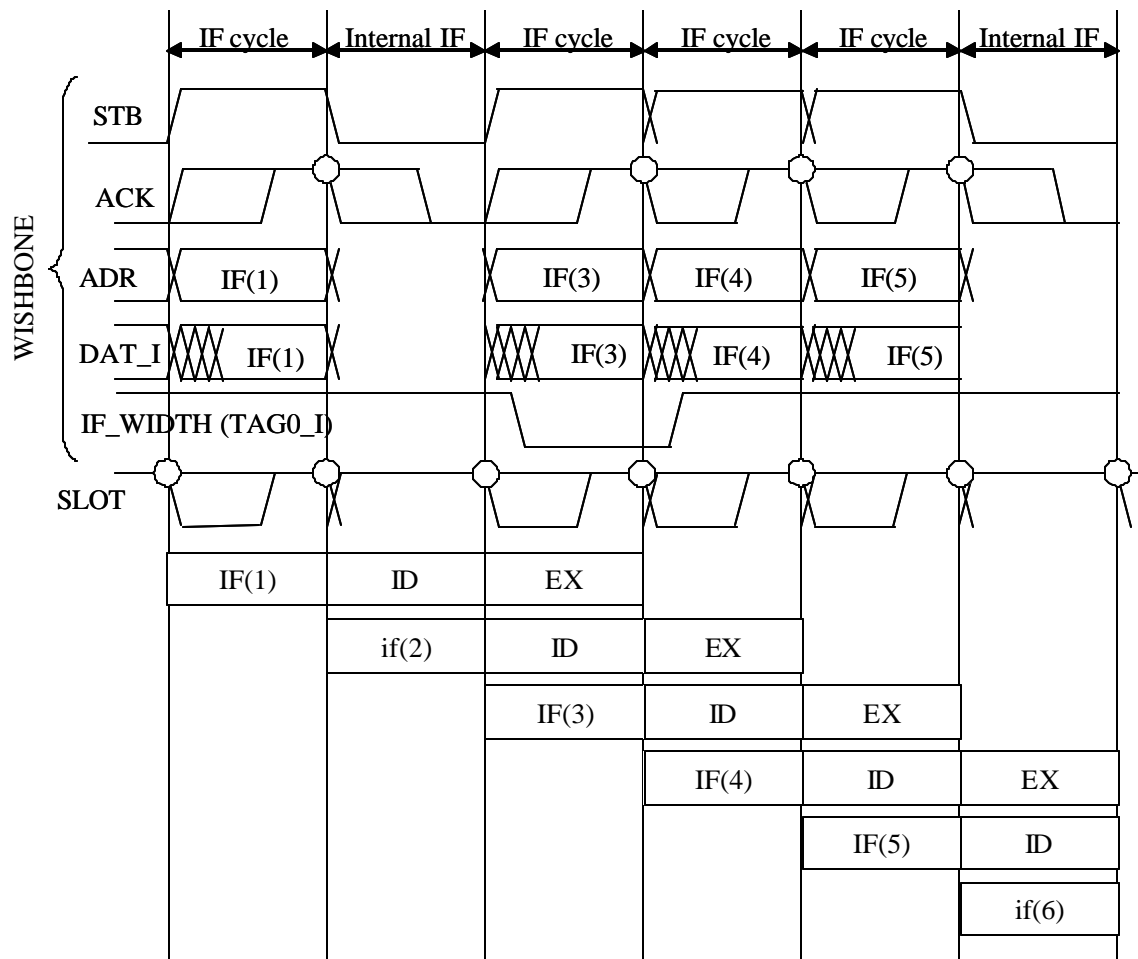


Figure 11.5 Bus Width of Instruction Fetch Cycle (IF_WIDTH)

11.7. Read Modify Write Cycle (for Instruction TAS.B)

The specification of WISHBONE bus has read-modify-write cycle, in which no bus arbitration is granted between read and write. During read-modify-write cycle, the bus master should keep CYC signal high. The TAS.B (test and set) instruction requires such

read-modify-write cycle. To achieve this, the memory access control unit receives KEEP_CYC signal from decoder unit, as shown in Figure 11.6.

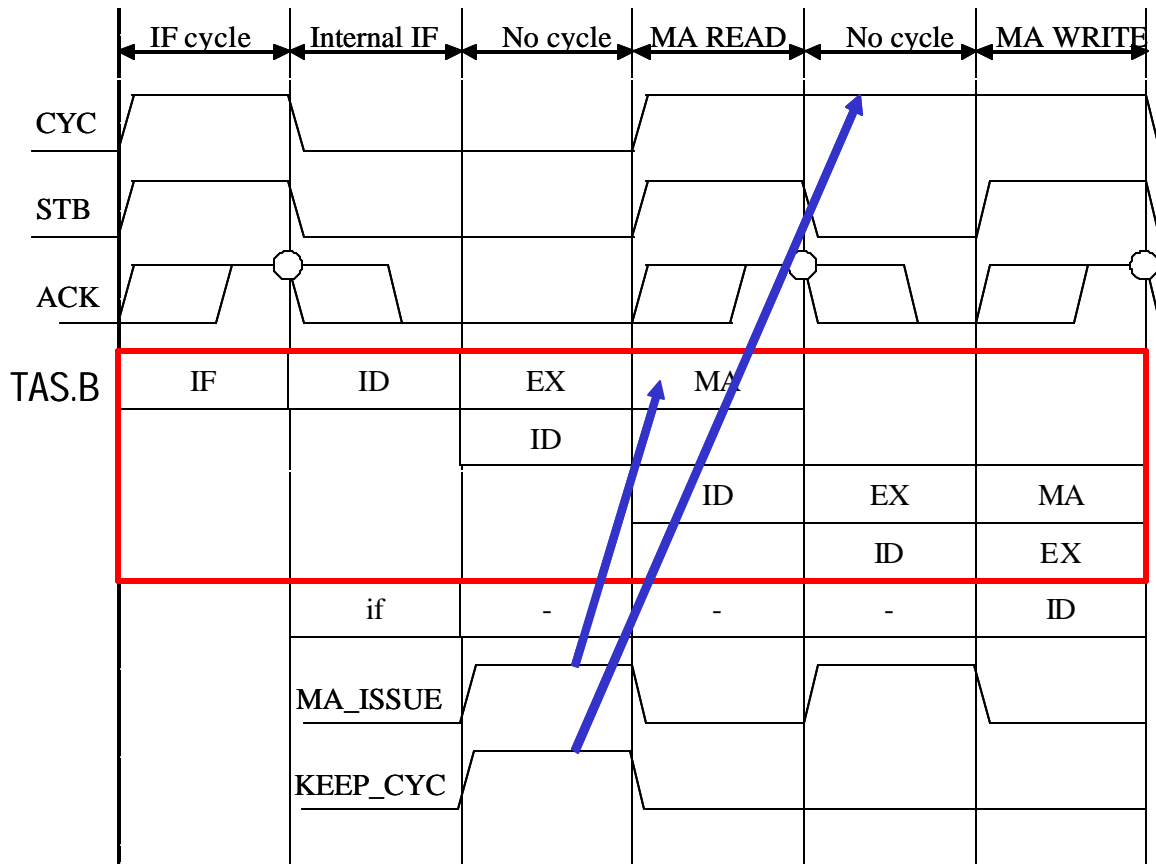


Figure 11.6 Read Modify Write Cycle

11.8.State Machine of Memory Access Control Unit

Table 11.2 shows state definition of memory access control unit. Table 11.3 shows key signals regarding instruction fetch. And Table 11.4 shows state transitions.

This memory access control unit assumes the CPU bus (WISHBONE) is non-Harvard bus. If you want to modify Aquarius to support Harvard bus, what you should do is (1) modifying the memory access control unit to connect both instruction bus and data bus, and (2) making decoder unit inform to memory access controller if the MA cycle is PC relative or not. Note that, even if you adopt Harvard bus with Aquarius, the PC relative instructions (MOV.L/W @(disp, PC), Rn) must access to instruction space, so this access conflicts to IF cycle. The memory controller for Harvard bus should still return IF_STALL to decoder.

State	Symbol	Meaning
S0	S_IDLE	Idle state
S1	S_IFEX	Instruction fetch with external memory read access
S2	S_MAEX	Data access with external memory read/write access
S3	S_MAEX_IFPD	Data access with pending instruction fetch (IF-MA conflict)
S4	S_IDLE_IFKP	Idle state but internal instruction buffer keeps a instruction
S5	S_IFIN	Instruction fetch from internal instruction buffer
S6	S_MAEX_IFKP	Data access with keeping a instruction in the buffer
S7	S_MAEX_IFIN	Data access from memory and Instruction fetch from buffer

Table11.2 State definition of memory access control unit

Signal	Meaning
IF_KEEP	Instruction fetch from long boundary address & IF_WIDTH=1 (32bit width)
IF_FORCE	Next instruction fetch is from long boundary IF_JP=1

Table11.3 Key signals regarding instruction fetch control

State	Reason for state transition		State	Reason for state transition	
	Now	Next		Now	Next
S0	S0	no event	S4	S0	n/a
	S1	by fetch request		S1	by fetch request: IF_FORCE=1
	S2	by data access request		S2	n/a
	S3	by both fetch request and data access request		S3	by both fetch request and data access request: IF_FORCE=1
	S4	n/a		S4	no event
	S5	n/a		S5	by fetch request: IF_FORCE=0
	S6	n/a		S6	by data access request
	S7	n/a		S7	by both fetch request and data access request: IF_FORCE=0
S1	S0	no event: IF_KEEP=0	S5	S0	no event
	S1	by fetch request: IF_FORCE=1 or IF_KEEP=0		S1	by fetch request
	S2	by data access request: IF_KEEP=0		S2	by data access request
	S3	by both fetch and data access request: IF_KEEP=0		S3	by both fetch request and data access request
	S4	no event: IF_KEEP=1		S4	n/a
	S5	by fetch request: IF_FORCE=0 and IF_KEEP=1		S5	n/a
	S6	by data access request: IF_KEEP=1		S6	n/a
	S7	by both fetch and data access request: IF_KEEP=1		S7	n/a
S2	S0	no event	S6	S0	n/a
	S1	by fetch request		S1	by fetch request: IF_FORCE=1
	S2	by data access request		S2	n/a
	S3	by both fetch request and data access request		S3	by both fetch request and data access request: IF_FORCE=1
	S4	n/a		S4	no event
	S5	n/a		S5	by fetch request: IF_FORCE=0
	S6	n/a		S6	by data access request
	S7	n/a		S7	by both fetch request and data access request: IF_FORCE=0
S3	S0	n/a	S7	S0	no event
	S1	always		S1	by fetch request
	S2	n/a		S2	by data access request
	S3	n/a		S3	by both fetch request and data access request
	S4	n/a		S4	n/a
	S5	n/a		S5	n/a
	S6	n/a		S6	n/a
	S7	n/a		S7	n/a

Table11.4 State transition of memory access control unit

12. Data Path Unit

This chapter describes the details of data path unit (`datapath.v`).

12.1.IN/OUT Signal Table

Table12.1 shows all in/out signals of data path unit.

Class	Direction	Name	From / To	Meaning	Notes
System Signals	input	CLK	EXTERNAL	clock	
	input	RST	EXTERNAL	reset	
SLOT	input	SLOT	mem.v	cpu pipe slot	
General Register Controls	input	RDREG_X	decode.v	read Rn to X-bus	
	input	RDREG_Y	decode.v	read Rn to Y-bus	
	input	WRREG_Z	decode.v	write Rn from Z-bus	
	input	WRREG_W	decode.v	write Rn from W-bus	
	input	[3 : 0] REGNUM_X	decode.v	register number to read to X-bus	
	input	[3 : 0] REGNUM_Y	decode.v	register number to read to Y-bus	
	input	[3 : 0] REGNUM_Z	decode.v	register number to write from Z-bus	
ALU	input	[4 : 0] ALUFUNC	decode.v	ALU function	
	output	[31 : 0] MA_AD	datapath.v	memory access address	
Memory Access Controls	output	[31 : 0] MA_DW	datapath.v	memory write data	
	input	[31 : 0] MA_DR	datapath.v	memory read data	
	input	WRMAAD_Z	decode.v	output MA_AD from Z-bus	
	input	WRMADW_X	decode.v	output MA_DW from X-bus	
	input	WRMADW_Y	decode.v	output MA_DW from Y-bus	
	input	RDMADR_W	decode.v	input MA_DR to W-bus	
Multiplier Controls	output	[31 : 0] MACIN1	datapath.v	data1 to mult.v	
	output	[31 : 0] MACIN2	datapath.v	data2 to mult.v	
	input	[1 : 0] MACSEL1	decode.v	select data of MACIN1 (00:from X, 01:from Z, 1?:from W)	
	input	[1 : 0] MACSEL2	decode.v	select data of MACIN2 (00:from Y, 01:from Z, 1?:from W)	
	input	[31 : 0] MACH	datapath.v	physical data of MACH	
	input	[31 : 0] MACL	datapath.v	physical data of MACL	
	input	RDMACH_X	decode.v	read MACH to X-bus	
	input	RDMACL_X	decode.v	read MACL to X-bus	
	input	RDMACH_Y	decode.v	read MACH to Y-bus	
	input	RDMACL_Y	decode.v	read MACL to Y-bus	

Table12.1 Data Path Unit IN/OUT Signals (1)

Class	Direction	Name	From / To	Meaning	Notes
Status Register Controls	input	RDSR_X	decode.v	read SR to X-bus	
	input	RDSR_Y	decode.v	read SR to Y-bus	
	input	WRSR_Z	decode.v	write SR from Z-bus	
	input	WRSR_W	decode.v	write SR from W-bus	
	output	MAC_S	mult.v	latched S bit in SR (= SR[S])	
	input	MAC_S_LATCH	decode.v	latch command of S bit in SR	
GBR Controls	input	RDGBR_X	decode.v	read GBR to X-bus	
	input	RDGBR_Y	decode.v	read GBR to Y-bus	
	input	WRGBR_Z	decode.v	write GBR from Z-bus	
	input	WRGBR_W	decode.v	write GBR from W-bus	
VBR Controls	input	RDVBR_X	decode.v	read VBR to X-bus	
	input	RDVBR_Y	decode.v	read VBR to Y-bus	
	input	WRVBR_Z	decode.v	write VBR from Z-bus	
	input	WRVBR_W	decode.v	write VBR from W-bus	
Procedure Register Controls	input	RDPR_X	decode.v	read PR to X-bus	
	input	RDPR_Y	decode.v	read PR to Y-bus	
	input	WRPR_Z	decode.v	write PR from Z-bus	
	input	WRPR_W	decode.v	write PR from W-bus	
	input	WRPR_PC	decode.v	write PR from PC	
Program Counter Controls	input	RDPC_X	decode.v	read PC to X-bus	
	input	RDPC_Y	decode.v	read PC to Y-bus	
	input	WRPC_Z	decode.v	write PC from Z-bus	
	input	INCPC	decode.v	increment PC (PC+2->PC)	
	input	IFADSEL	decode.v	select IF_AD output from INC(0) or Z-bus(1)	
	output	[31 : 0] IF_AD	mem.v	instruction fetch address	
Constant Value Controls	input	[15 : 0] CONST_IFD	decode.v	instruction fetch data to make constant	
	input	CONST_ZERO4	decode.v	take constant from lower 4 bit as unsigned value	
	input	CONST_ZERO42	decode.v	take constant from lower 4 bit as unsigned value * 2	
	input	CONST_ZERO44	decode.v	take constant from lower 4 bit as unsigned value * 4	
	input	CONST_ZERO8	decode.v	take constant from lower 8 bit as unsigned value	
	input	CONST_ZERO82	decode.v	take constant from lower 8 bit as unsigned value * 2	
	input	CONST_ZERO84	decode.v	take constant from lower 8 bit as unsigned value * 4	
	input	CONST_SIGN8	decode.v	take constant from lower 8 bit as signed value	
	input	CONST_SIGN82	decode.v	take constant from lower 8 bit as signed value * 2	
	input	CONST_SIGN122	decode.v	take constant from lower 12 bit as signed value * 2	
	input	RDCONST_X	decode.v	read constant to X-bus	
input	RDCONST_Y	decode.v	read constant to Y-bus		

Table12.1 Data Path Unit IN/OUT Signals (2)

Class	Direction	Name	From / To	Meaning	Notes
Forwarding	input	REG_FWD_X	decode.v	register forward from W-bus to X-bus	
	input	REG_FWD_Y	decode.v	register forward from W-bus to Y-bus	
Comparator	input	[2 : 0] CMPCOM	decode.v	define comparator operation (command)	
Shifter	input	[4 : 0] SFTFUNC	decode.v	Shifter Function	
Controls	input	RDSFT_Z	decode.v	read SFTOUT to Z-BUS	
T bit Q bit M bit Controls	output	T_BCC	decode.v	T value for Bcc judgement	
	input	T_CMPSET	decode.v	reflect comparator result to T	
	input	T_CRYSET	decode.v	reflect carry/borrow out to T	
	input	T_TSTSET	decode.v	reflect tst result to T	
	input	T_SFTSET	decode.v	reflect shifted output to T	
	input	QT_DV1SET	decode.v	reflect DIV1 result to Q and T	
	input	MQT_DV0SET	decode.v	reflect DIV0S result to M, Q and T	
	input	T_CLR	decode.v	clear T	
	input	T_SET	decode.v	set T	
input	MQ_CLR	decode.v	clear M and Q		
TEMP	input	RDTEMP_X	decode.v	read TEMP to X-bus	
Register	input	WRTEMP_Z	decode.v	write to TEMP from Z-bus	
Controls	input	WRMAAD_TEMP	decode.v	output MAAD from TEMP	
SR and I bit Controls	input	RST_SR	decode.v	reset SR	
	output	[3 : 0] IBIT	decode.v	I bit in SR	
	input	[3 : 0] ILEVEL	decode.v	IRQ Level	
	input	WR_IBIT	decode.v	Write ILEVEL to I bit in SR	

Table12.1 Data Path Unit IN/OUT Signals (3)

12.2. Structure of Data Path

Figure12.1 shows the block diagram of data path unit. It also shows basic relationship among data path, decoder, multiplier and memory access controller. In data path RTL description (datapath.v), the general registers R0-R15 (register.v) are located in under data path layer. Data path has 4 internal buses.

X-bus : Data from each register resource

Y-bus : Data from each register resource

Z-bus : Data from results of ALU or Shifter

W-bus : Data from memory load (to be written back to each register resource)

In the data path, all resources are fully controlled by decoder unit. So, there are no state machines in data path unit.

The register forwarding paths are shown in top of Figure12.1 as direct paths from W to X and W to Y.

The T bit, Q bit and M bit in Status Register (SR) are created from several signals as shown in Figure12.2, Figure12.3 and Figure12.4.

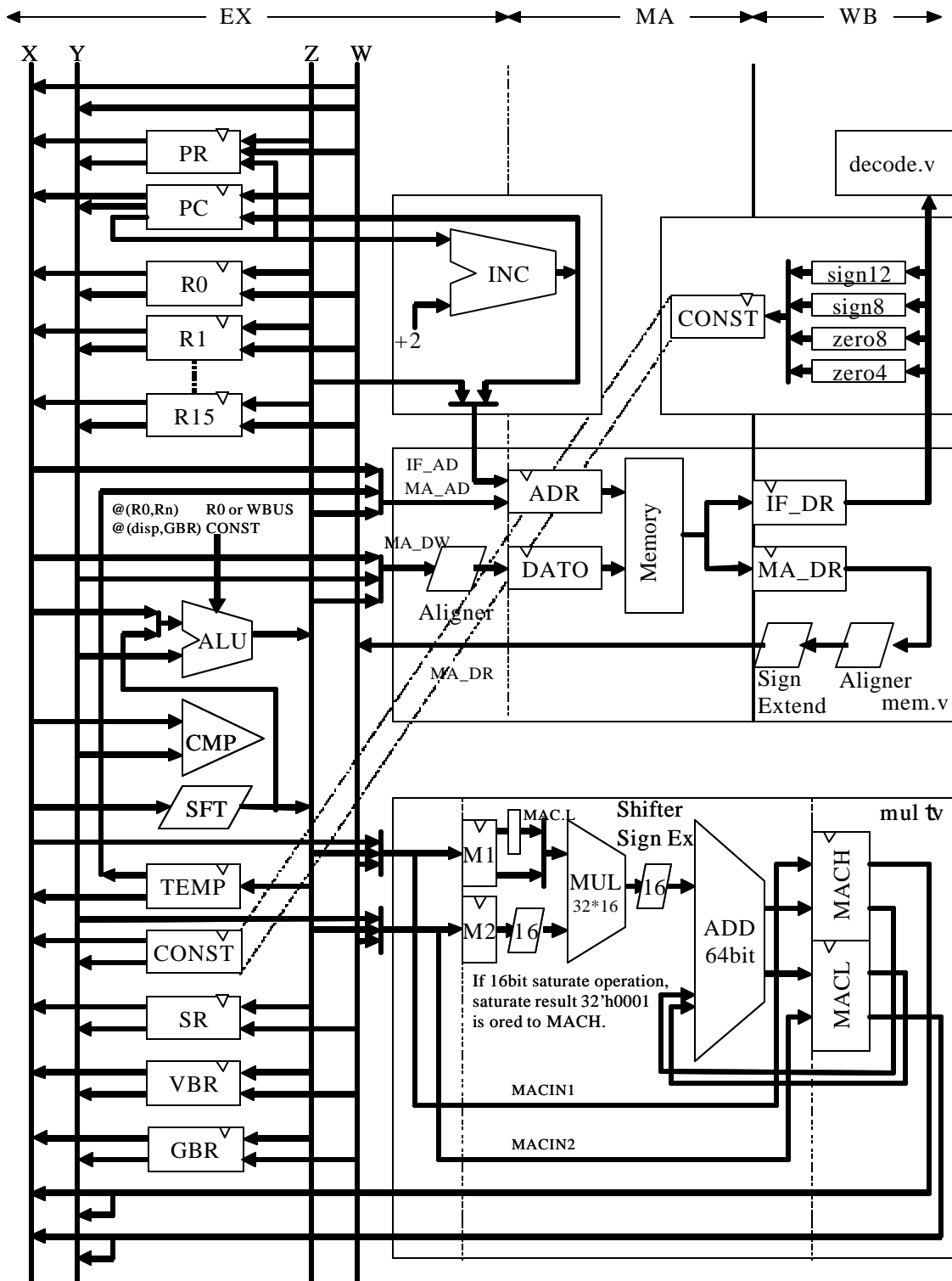


Figure12.1 Block Diagram of Data Path Unit

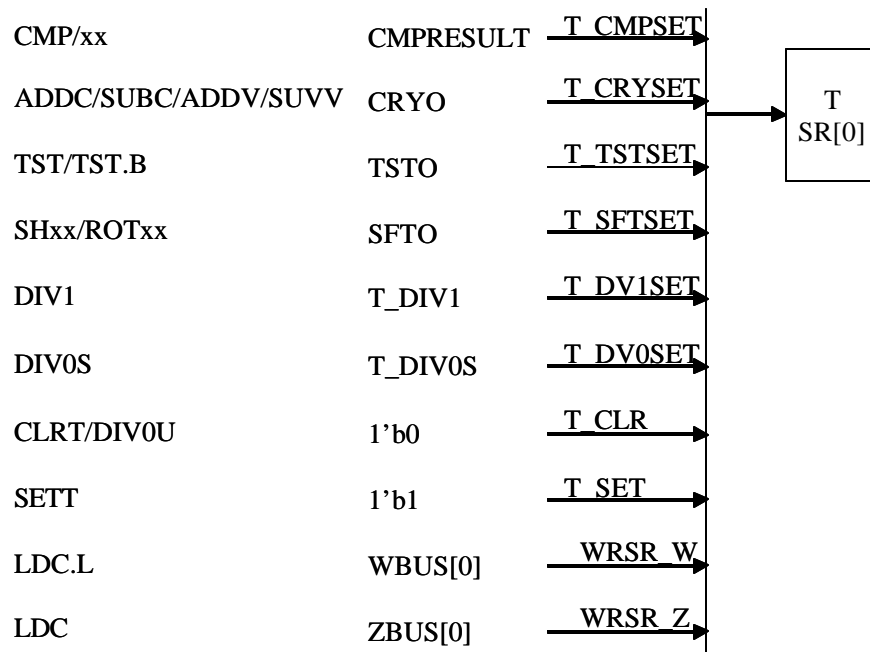


Figure12.2 Generating T bit

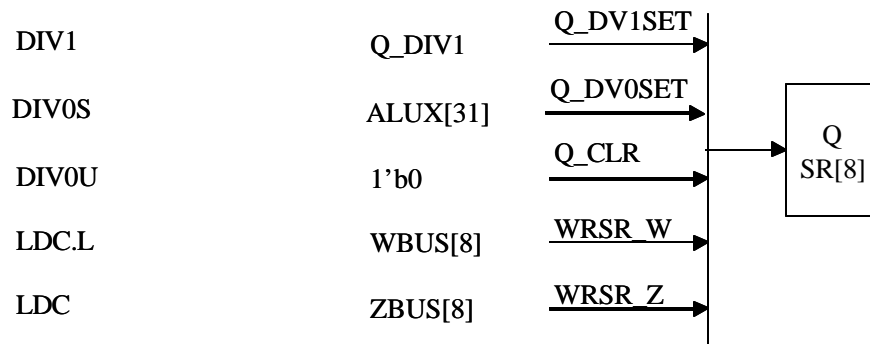


Figure12.3 Generating Q bit

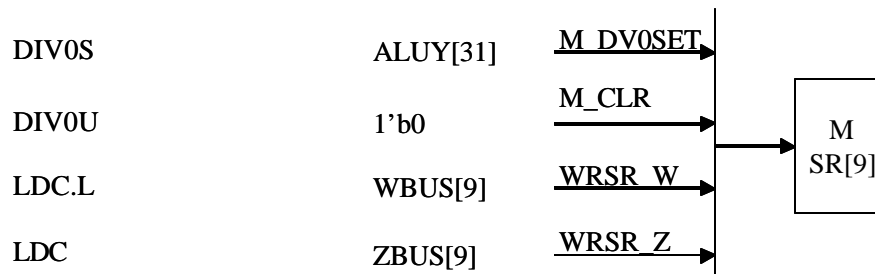


Figure12.4 Generating M bit

13. Multiplier Unit

This chapter describes the details of multiplier unit (`mult.v`).

13.1. IN/OUT Signal Table

Table13.1 shows all in/out signals of multiplier unit.

Class	Direction	Name	From / To	Meaning	Notes
System Signals	input	CLK		clock	
	input	RST		reset	
SLOT	input	SLOT		cpu pipe slot	
	input	MULCOM1		M1 latch command	
Mult Commands	input	[7 : 0] MULCOM2		M2 latch and mult engage command	
		NOP	0 0000000 00		
		DMULS.L	1 0111101 BD		
		DMULU.L	1 0110101 B5		
		MAC.L	1 0001111 8F		
		MAC.W	1 1001111 CF		
		MULL	1 0000111 87		
		MULS.W	1 0101111 AF		
		MULU.W	1 0101110 AE		
S bit	input	MAC_S		S-bit in SR	
Data Interface	input	WRMACH, WRMACL		write MACH and MACL directly from data path	
	input	[31 : 0] MACIN1		input data 1	
	input	[31 : 0] MACIN2		input data 2	
	output	[31 : 0] MACH		output MACH	
	output	[31 : 0] MACL		output MACL	
Status	output	MAC_BUSY		busy signal (negate at final operation state)	

Table13.1 Multiplier Unit IN/OUT Signals

13.2. Algorithm of Multiplication

Basically, this multiplier design assumes that it is implemented by using Macro Module of Multiplier for FPGA. So, existence of *unsigned* 32bit x 16bit (or similar) multiplier is supposed. Now, let me define some symbols to explain.

$As[N-1:0]$ = Assumed as Signed N bit

$Au[N-1:0]$ = Assumed as Unsigned N bit $Au[x]=As[x]$ (each bit is same)

$Bs[N-1:0]$ = Assumed as Signed N bit

$Bu[N-1:0]$ = Assumed as Unsigned N bit $Bu[x]=Bs[x]$ (each bit is same)

(1) Signed 32bit x 32bit

$$As[31:0] = -2^{31} \times Au[31] + Au[30:0]$$

$$Bs[31:0] = -2^{31} \times Bu[31] + Bu[30:0]$$

$$As[31:0] \times Bs[31:0]$$

$$= 2^{62} \times Au[31] \times Bu[31]$$

$$- 2^{31} \times Au[31] \times Bu[30:0]$$

$$- 2^{31} \times Bu[31] \times Au[30:0]$$

$$+ Au[30:0] \times Bu[30:0]$$

$$= 2^{62} \times Au[31] \times Bu[31]$$

$$- 2^{31} \times Au[31] \times Bu[30:0]$$

$$- 2^{31} \times Bu[31] \times Au[30:0]$$

$$+ 2^{16} \times Au[30:0] \times Bu[30:16]$$

$$+ Au[30:0] \times Bu[15:0]$$

$$= P1 - P2 - P3 + P4 + P5$$

$$P1 = 2^{62} \times Au[31] \times Bu[31]$$

$$P2 = 2^{31} \times Au[31] \times Bu[30:0]$$

$$P3 = 2^{31} \times Bu[31] \times Au[30:0]$$

$$P4 = 2^{16} \times Au[30:0] \times Bu[30:16]$$

$$P5 = Au[30:0] \times Bu[15:0]$$

(2) Unsigned 32bit x 32bit

$$Au[31:0] = +2^{31} \times Au[31] + Au[30:0]$$

$$Bu[31:0] = +2^{31} \times Bu[31] + Bu[30:0]$$

$$Au[31:0] \times Bu[31:0]$$

$$= 2^{62} \times Au[31] \times Bu[31]$$

$$+ 2^{31} \times Au[31] \times Bu[30:0]$$

$$+ 2^{31} \times Bu[31] \times Au[30:0]$$

$$+ Au[30:0] \times Bu[30:0]$$

$$= 2^{62} \times Au[31] \times Bu[31]$$

$$+ 2^{31} \times Au[31] \times Bu[30:0]$$

$$+ 2^{31} \times Bu[31] \times Au[30:0]$$

$$+ 2^{16} \times Au[30:0] \times Bu[30:16]$$

$$+ Au[30:0] \times Bu[15:0]$$

$$= P1 + P2 + P3 + P4 + P5$$

$$P1 = 2^{62} \times Au[31] \times Bu[31]$$

$$P2 = 2^{31} \times Au[31] \times Bu[30:0]$$

$$P3 = 2^{31} \times Bu[31] \times Au[30:0]$$

$$P4 = 2^{16} \times Au[30:0] \times Bu[30:16]$$

$$P5 = Au[30:0] \times Bu[15:0]$$

(3) Signed 16bit x 16bit

$$As[15:0] = -2^{15} \times Au[15] + Au[14:0]$$

$$Bs[15:0] = -2^{15} \times Bu[15] + Bu[14:0]$$

$$As[15:0] \times Bs[15:0]$$

$$= 2^{30} \times Au[15] \times Bu[15]$$

$$- 2^{15} \times Au[15] \times Bu[14:0]$$

$$- 2^{15} \times Bu[15] \times Au[14:0]$$

$$+ Au[14:0] \times Bu[14:0]$$

$$= P1 - P2 - P3 + P4$$

$$P1 = 2^{30} \times Au[15] \times Bu[15]$$

$$P2 = 2^{15} \times Au[15] \times Bu[14:0]$$

$$P3 = 2^{15} \times Bu[15] \times Au[14:0]$$

$$P4 = Au[14:0] \times Bu[14:0]$$

(4) Unsigned 16bit x 16bit

$$Au[15:0] = +2^{15} \times Au[15] + Au[14:0]$$

$$Bu[15:0] = +2^{15} \times Bu[15] + Bu[14:0]$$

$$Au[15:0] \times Bu[15:0]$$

$$= 2^{30} \times Au[15] \times Bu[15]$$

$$+ 2^{15} \times Au[15] \times Bu[14:0]$$

$$+ 2^{15} \times Bu[15] \times Au[14:0]$$

$$+ Au[14:0] \times Bu[14:0]$$

$$= P1 + P2 + P3 + P4$$

$$P1 = 2^{30} \times Au[15] \times Bu[15]$$

$$P2 = 2^{15} \times Au[15] \times Bu[14:0]$$

$$P3 = 2^{15} \times Bu[15] \times Au[14:0]$$

$$P4 = Au[14:0] \times Bu[14:0]$$

Pn are partial result to be accumulated.

Gathering above way of thoughts, Figure13.1 shows the methods of multiplication. The bit size of multiplication macro module should be at least 31bit x 16bit.

In case of 32bit multiplication, the calculation needs 2 steps. In first step, P4 is accumulated to MAC with preparing P2+P3, and in second step, P1, P2 and P3 are accumulated to MAC with 16bits shifting.

In case of 16bit multiplication, the calculation needs only 1 step. In the step, P1, P2, P3 and P4 are accumulated to MAC at once.

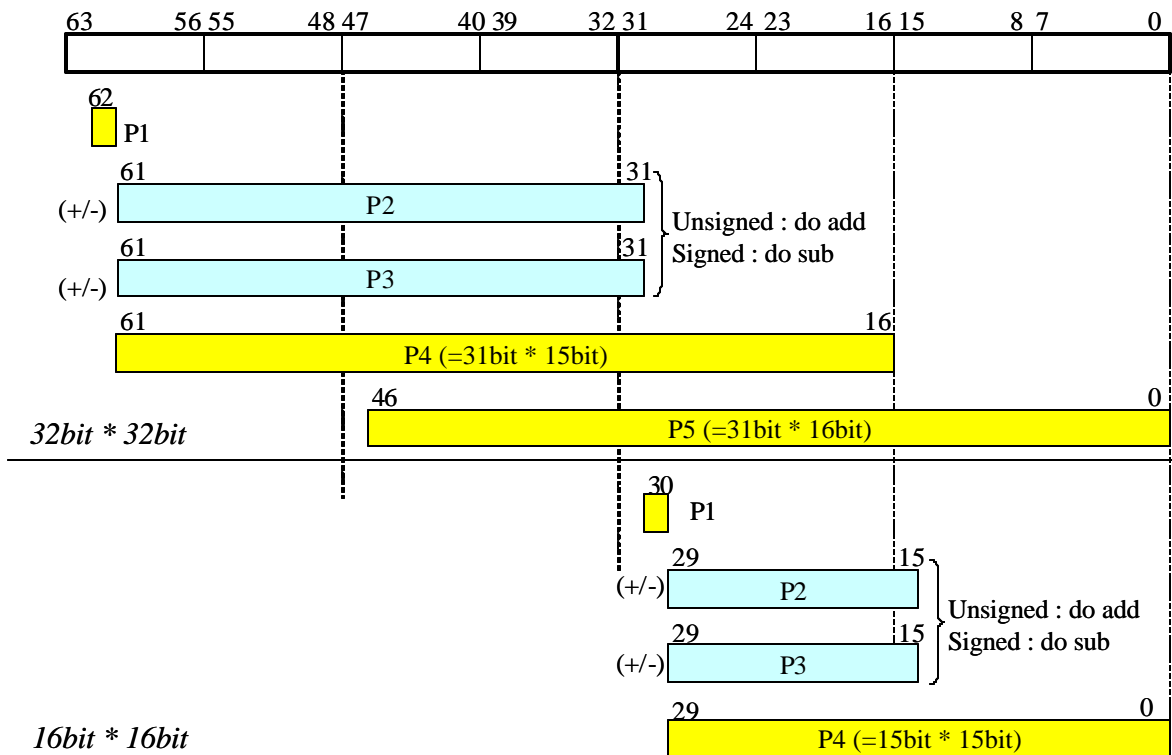


Figure13.1 Algorithm of Multiplication

13.3. Structure of Multiplier Unit

According to algorithm shown in Figure13.1, the multiplication unit has designed as shown in Figure13.2. The some control signals are created by internal state machine as shown in Table13.2. The 64bit accumulation adder should have saturation capability. It is described later.

		SIZE	SIGN	SHIFT	Notes
Signed	1 st step	1	1	0	
32bit	2 nd step	1	1	1	
Unsigned	1 st step	1	0	0	
32bit	2 nd step	1	0	1	
Signed 16bit		0	1	0	
Unsigned 16bit		0	0	0	

Table13.2 Control Signals in Multiplication Unit

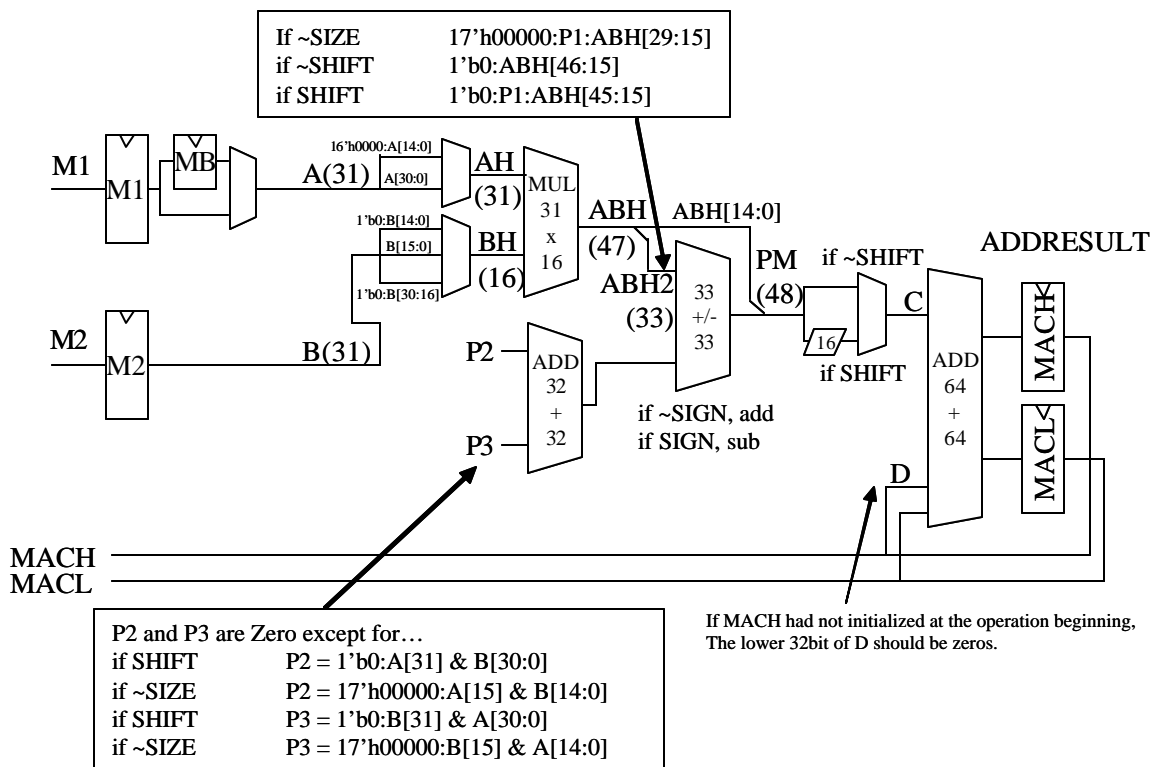


Figure13.2 Block Diagram of Multiplier Unit

13.4. Control of Multiplication Unit

The decoder unit sends two kinds of multiplication command to multiplication unit. One is MULCOM1 which is latch signal of input data MACIN1[31:0]. Another is MULCOM2[7:0] which has 2 meanings; latch signal of input data MACIN2[31:0] and operation class. The MULCOM2[7] means latch signal. And MULCOM2[6:0] is same as {INSTR_STATE[14:12], INSTR_STATE[3:0]}. If MULCOM2[7]=0, it is NOP. Figure13.3 to Figure13.6 shows the timing position of each command. “M1” is MULCOM1, “M2” is MULCOM2. In the figures, the MAC value is determined at timing position with “MAC” and an arrow.

The instructions related to multiplication execute in multi cycles. So, if post instruction uses the result of MAC, it may be stalled.

Each multiplication instruction’s decode stage asserts EX_MAC_BUSY or WB_MAC_BUSY to indicate busy state of MAC register.

On the other hand, each multiplication related instruction asserts MAC_STALL_SENSE at

decode stage to declare that it will use MAC resources.

In the decoder unit, MAC_STALL signal is created from each “pipeline shifted” xx_MAC_BUSY signal, MAC_STALL_SENSE and MAC_BUSY (from multiplier unit which indicates second “m” stage from the last). The MAC_STALL is used in decoder unit to control pipeline stall as shown in Figure10.7. Figure13.3 to Figure13.6 also shows how many stall cycle is necessary in the MAC conflict situation.

By the way, for example in Figure13.3, the stall counts of DMULxL / MUL.L / MULx.W can be reduced to 2 from 3, but such reduction has no meaning because the results (MACx) of these instructions should be stored to registers or memories once.

Note that the S bit in SR should be latched at second ID stage of instruction MAC.x, to avoid changing S during MAC operation. (The instruction after MAC may change S bit.)

13.5.How to implement Saturating Accumulation

In Figure13.2, the 64 bit adder ADDRESULT = MAC + C should have saturating function for MAC.W and MAC.L (S=1). If S=1, MAC.W should saturate between 32'h80000000 to 32'h7FFFFFFF, and MAC.L should saturate between 64'hFFFF800000000000 to 64'h00007FFFFFFFFF. To simplify explanation, consider only latter case.

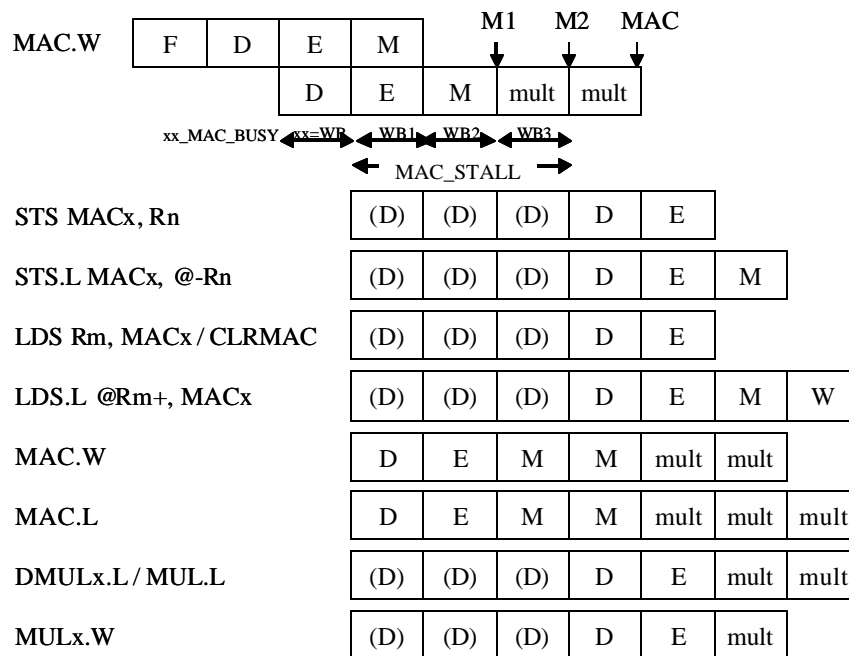


Figure13.3 Conflict MAC.W and its post instruction

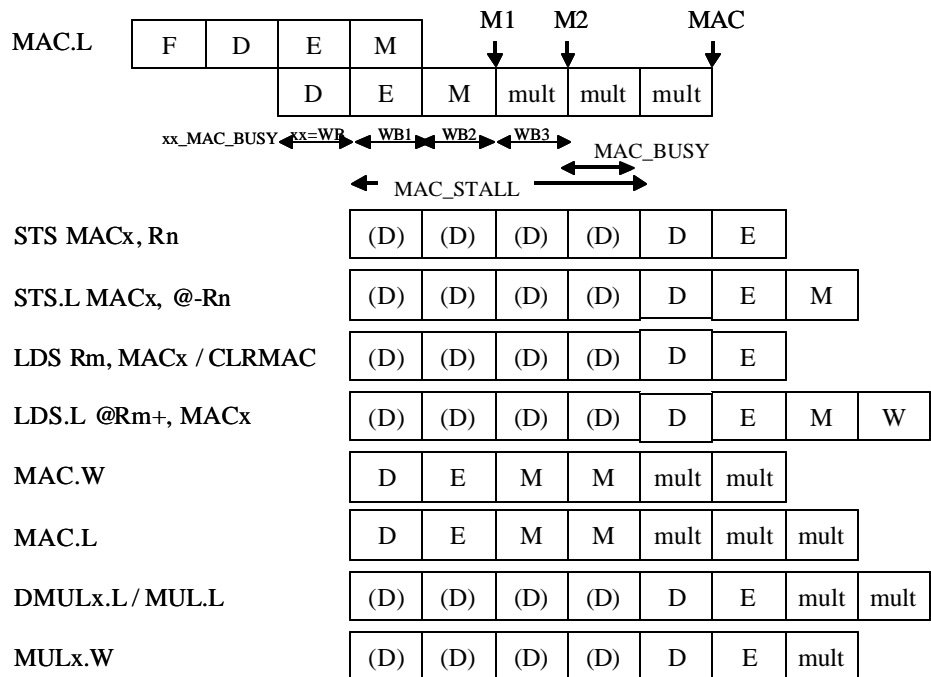


Figure13.4 Conflict MAC.L and its post instruction

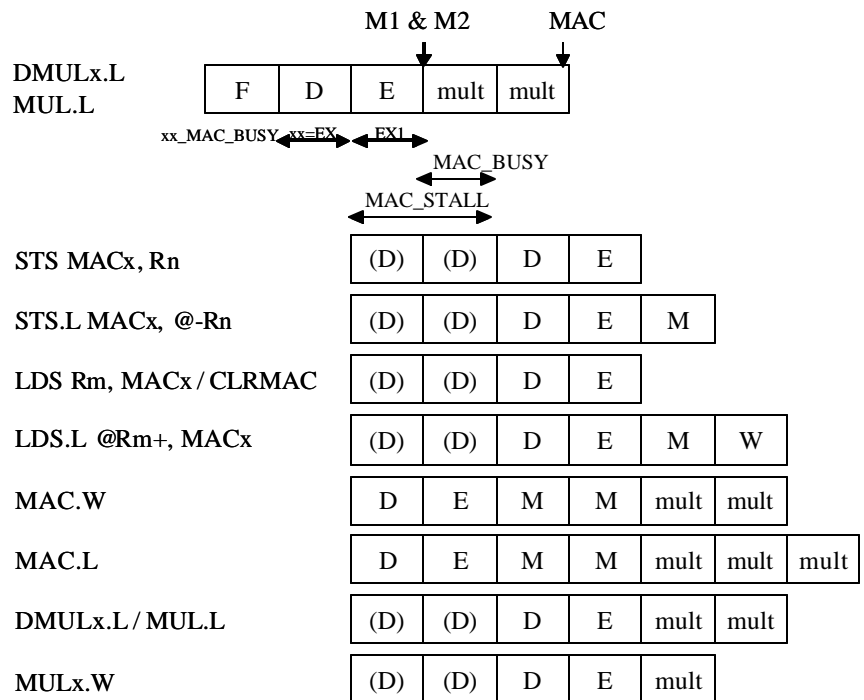


Figure13.5 Conflict DMULx.L / MULL and its post instruction

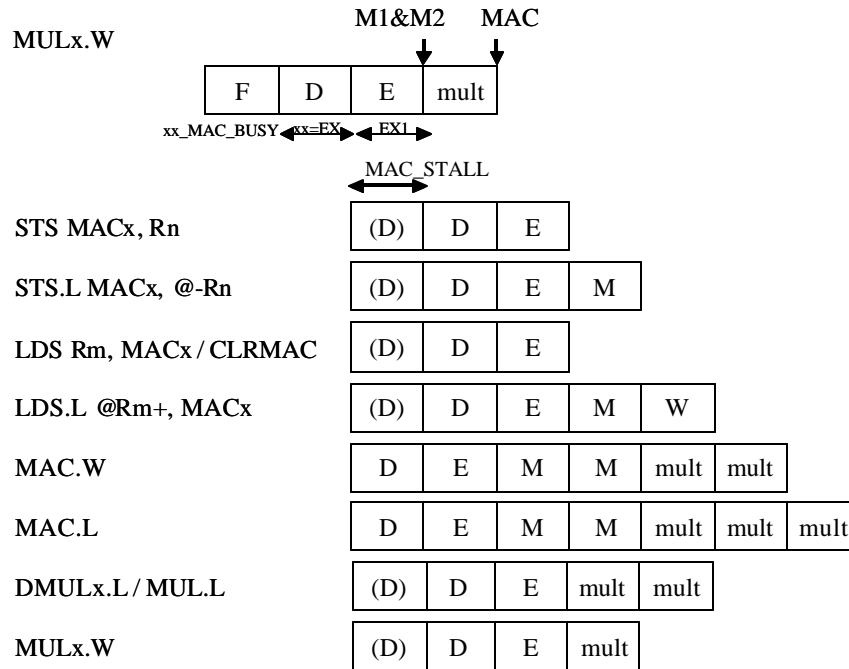


Figure 13.6 Conflict MULx.W and its post instruction

One of the simplest implementation of saturation is only to cut carry chain in adder circuit at proper position. But in this case, if the initial value has already been out of saturating value, the final result will not correct one. So, we should consider the initial accumulator value may be any value.

Figure 13.7 shows way of thought for correct saturation. The angle is accumulator's value = MAC. 0 degree means $64'0000000000000000$, 180 degrees means $64'7FFFFFFF7FFFFFFF$. Now, the desired saturation values is shown as +S and -S. And this plane is divided into 4 regions; P, P', M and M'. In this plane, we want to do operation add. If we add positive value (+C), the angle of MAC moves counterclockwise; if we add negative value (-C), the angle of MAC moves clockwise.

Table 13.3 shows all combinations of MAC angle movement. And from Table 13.4 to table 13.7 shows the compaction process of combinations. I implemented saturating operation according to Table 13.7.

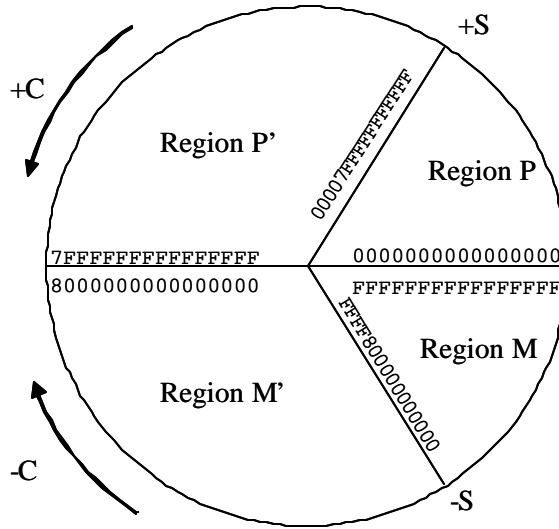


Figure13.7 Way of thought for Saturating Accumulation

Initial	MAC	C(Rotation)	MAC+C	ADDRESSULT	Notes
P		+	P	OK	
P		+	P'	00007FFF	
P		+	M'	00007FFF	
P		+	M	00007FFF	
P'		+	P	00007FFF	Impossible
P'		+	P'	00007FFF	
P'		+	M'	00007FFF	
P'		+	M	00007FFF	
M'		+	P	OK	
M'		+	P'	00007FFF	Impossible
M'		+	M'	FFFF8000	
M'		+	M	OK	
M		+	P	OK	
M		+	P'	00007FFF	
M		+	M'	00007FFF	Impossible
M		+	M	OK	
P		-	P	OK	
P		-	P'	FFFF8000	Impossible
P		-	M'	FFFF8000	
P		-	M	OK	
P'		-	P	OK	
P'		-	P'	00007FFF	
P'		-	M'	FFFF8000	Impossible
P'		-	M	OK	
M'		-	P	FFFF8000	
M'		-	P'	FFFF8000	
M'		-	M'	FFFF8000	
M'		-	M	FFFF8000	Impossible
M		-	P	FFFF8000	
M		-	P'	FFFF8000	
M		-	M'	FFFF8000	
M		-	M	OK	

Table13.3 All combinations of angle movement (1)

Initial MAC	C(Rotation)	MAC+C	ADDRRESULT	Notes
P /M	+/-	P /M	OK	
P /M	+/-	P' /M'	00007FFF/FFFF8000	
P /M	+/-	M' /P'	00007FFF/FFFF8000	
P /M	+/-	M /P	00007FFF/FFFF8000	
P' /M'	+/-	P /M	Impossible	Don't care
P' /M'	+/-	P' /M'	00007FFF/FFFF8000	
P' /M'	+/-	M' /P'	00007FFF/FFFF8000	
P' /M'	+/-	M /P	00007FFF/FFFF8000	
M' /P'	+/-	P /M	OK	
M' /P'	+/-	P' /M'	Impossible	Don't care
M' /P'	+/-	M' /P'	FFFF8000/00007FFF	Caution!
M' /P'	+/-	M /P	OK	
M /P	+/-	P /M	OK	
M /P	+/-	P' /M'	00007FFF/FFFF8000	
M /P	+/-	M' /P'	Impossible	Don't care
M /P	+/-	M /P	OK	

Table13.4 All combinations of angle movement (2)

Initial MAC	C(Rotation)	MAC+C	ADDRRESULT	Notes
P /M	+/-	P /M	OK	
P /M	+/-	P' /M'	00007FFF/FFFF8000	
P /M	+/-	- /+	00007FFF/FFFF8000	
P' /M'	+/-	P /M	Impossible	Don't care
P' /M'	+/-	P' /M'	00007FFF/FFFF8000	
P' /M'	+/-	- /+	00007FFF/FFFF8000	
M' /P'	+/-	P /M	OK	
- /+	+/-	M' /P'	FFFF8000/00007FFF	Caution!
M' /P'	+/-	M /P	OK	
M /P	+/-	P /M	OK	
- /+	+/-	P' /M'	00007FFF/FFFF8000	
M /P	+/-	M /P	OK	

Table13.5 Compressed combinations of angle movement (1)

Initial MAC	C(Rotation)	MAC+C	ADDRRESULT	Notes
+ /-	+/-	P /M	OK	
+ /-	+/-	P' /M'	00007FFF/FFFF8000	
+ /-	+/-	- /+	00007FFF/FFFF8000	
- /+	+/-	P /M	OK	
- /+	+/-	M' /P'	FFFF8000/00007FFF	Caution!
- /+	+/-	M /P	OK	
- /+	+/-	P' /M'	00007FFF/FFFF8000	

Table13.6 Compressed combinations of angle movement (2)

Initial MAC	C(Rotation)	MAC+C	ADDRRESULT	Notes
* /*	+/-	P /M	OK	
* /*	+/-	P' /M'	00007FFF/FFFF8000	
+ /-	+/-	- /+	00007FFF/FFFF8000	
- /+	+/-	M' /P'	FFFF8000/00007FFF	Caution!
- /+	+/-	M /P	OK	

Table13.7 Compressed combinations of angle movement (3)

14. Appendix: Aquarius Instruction Code

Aquarius instruction codes are compatible to SuperH-2.

Table14.1 shows all instruction codes and their controls.

Class	Mnemonic	Code Binary	Code Hex	Step	X	Y	Z	ALU	CMP	SFT	Others
ALU	STC SR,Rn	0000nnnn00000101	0##02			SR	Rn	THRU			
ALU	STC GBR,Rn	0000nnnn00010101	0##12			GBR	Rn	THRU			
ALU	STC VBR,Rn	0000nnnn01000101	0##22			VBR	Rn	THRU			
BRA	BSRF Rm	0000mmmm00000111	0##03		Rm	PC	PC	ADD			CurPC->PR
BRA	BSRF Rm	0000mmmm00000111	0##03								IFADSEL,IF_JP
BRA	BRAR Rm	0000mmmm01000111	0##23		Rm	PC	PC	ADD			
BRA	BRAR Rm	0000mmmm01000111	0##23								IFADSEL,IF_JP
Store	MOV.B Rm,@(R0,Rn)	0000nnnnmmmm0100	0###4		Rn	Rm	MAAD	ADDR0			R0+Rn->MAAD, Rm->MADW,WR.B
Store	MOV.W Rm,@(R0,Rn)	0000nnnnmmmm0101	0###5		Rn	Rm	MAAD	ADDR0			R0+Rn->MAAD, Rm->MADW,WR.W
Store	MOV.L Rm,@(R0,Rn)	0000nnnnmmmm0110	0###6		Rn	Rm	MAAD	ADDR0			R0+Rn->MAAD, Rm->MADW,WR.L
MULT	MUL.L Rm,Rn	0000nnnnmmmm0111	0###7								Rn->M1,Rm->M2,MUL.L
ALU	CLR	00000000001000	0008								0->T
ALU	SET	00000000011000	0018								1->T
ALU	CLRMAC	00000000010100	0028								0-MACH/MACL
ALU	NOP	00000000001001	0009								NOP
ALU	DIV0U	00000000001101	0019								DIV0U
ALU	MOVT Rn	0000nnnn01010101	0##29				Rn	ADD			if T=1, 0+1->Rn else 0->Rn
ALU	STS MACH,Rn	0000nnnn00001010	0##10			MACH	Rn	THRU			
ALU	STS MACL,Rn	0000nnnn00011010	0##11			MACL	Rn	THRU			
ALU	STS PR,Rn	0000nnnn01010101	0##21			PR	Rn	THRU			
BRA	RTS	000000000001011	0011	1st							
BRA	RTS	000000000001011	0011	2nd							IFADSEL,IF_JP
SLEEP	SLEEP	000000000011011	0011	multi							SLEEP sequence
RTE	RTE	000000000101011	0021	multi							RTE sequence
Load	MOV.B @(R0,Rm),Rn	0000nnnnmmmm1100	0###12		Rm		MAAD	ADDR0			R0+Rn->MAAD, RD.B,MADR->Rn
Load	MOV.W @(R0,Rm),Rn	0000nnnnmmmm1101	0###13		Rm		MAAD	ADDR0			R0+Rn->MAAD, RD.W,MADR->Rn
Load	MOV.L @(R0,Rm),Rn	0000nnnnmmmm1110	0###14		Rm		MAAD	ADDR0			R0+Rn->MAAD, RD.L,MADR->Rn
MULT	MAC.L @Rm+,@Rn+	0000nnnnmmmm1111	0###15	1st	Rm	4	Rn	ADD			Rn->MAAD,RD.L,MADR->M1
MULT	MAC.L @Rm+,@Rn+	0000nnnnmmmm1111	0###15	2nd	Rm	4	Rm	ADD			Rm->MAAD,RD.L,MADR->M2,MAC.L
Store	MOV.L Rm,@(disp),Rn	0001nnnnmmmmddddd	1###		Rn	Rm	MAAD	ADDCN			0d*4+Rn->MAAD, Rm->MADW,WR.L
Store	MOV.B Rm,@Rn	0010nnnnmmmm0002	##00		Rn	Rm	MAAD	THRU			Rm->MADW,WR.B
Store	MOV.W Rm,@Rn	0010nnnnmmmm0012	##01		Rn	Rm	MAAD	THRU			Rm->MADW,WR.W
Store	MOV.L Rm,@Rn	0010nnnnmmmm0102	##02		Rn	Rm	MAAD	THRU			Rm->MADW,WR.L
Store	MOV.B Rm,@-Rn	0010nnnnmmmm0100	##04		Rn	-1	Rn/MAAD	ADD			Rm->MADW,WR.B
Store	MOV.W Rm,@-Rn	0010nnnnmmmm0101	##05		Rn	-2	Rn/MAAD	ADD			Rm->MADW,WR.W
Store	MOV.L Rm,@-Rn	0010nnnnmmmm0110	##06		Rn	-4	Rn/MAAD	ADD			Rm->MADW,WR.L
ALU	DIVOS Rm,Rn	0010nnnnmmmm0111	##07								DIVOS
ALU	TST Rm,Rn	0010nnnnmmmm1002	##08		Rn	Rm		AND			result->T
ALU	AND Rm,Rn	0010nnnnmmmm1001	##09		Rn	Rm	Rn	AND			
ALU	XOR Rm,Rn	0010nnnnmmmm1010	##10		Rn	Rm	Rn	XOR			
ALU	OR Rm,Rn	0010nnnnmmmm1011	##11		Rn	Rm	Rn	OR			
ALU	CMP/STR Rm,Rn	0010nnnnmmmm1100	##12		Rn	Rm			CMP/STR		result->T
ALU	XTRCT Rm,Rn	0010nnnnmmmm1101	##13		Rn	Rm	Rn	XTRCT			
MULT	MULU.W Rm,Rn	0010nnnnmmmm1110	##14								Rn->M1,Rm->M2,MULU.W
MULT	MULS.W Rm,Rn	0010nnnnmmmm1111	##15								Rn->M1,Rm->M2,MULS.W
ALU	CMP/EQ Rm,Rn	0011nnnnmmmm0003	##00		Rn	Rm			CMP/EQ		result->T
ALU	CMP/HS Rm,Rn	0011nnnnmmmm0013	##02		Rn	Rm			CMP/HS		result->T
ALU	CMP/GE Rm,Rn	0011nnnnmmmm0011	##03		Rn	Rm			CMP/GE		result->T
ALU	DIVL Rm,Rn	0011nnnnmmmm0100	##04								DIVL
MULT	DMULU.L Rm,Rn	0011nnnnmmmm0101	##05								Rn->M1,Rm->M2,DMULU.L
ALU	CMP/HI Rm,Rn	0011nnnnmmmm0110	##06		Rn	Rm			CMP/HI		result->T
ALU	CMP/GT Rm,Rn	0011nnnnmmmm0111	##07		Rn	Rm			CMP/GT		result->T
ALU	SUB Rm,Rn	0011nnnnmmmm1000	##08		Rn	Rm	Rn	SUB			
ALU	SUBC Rm,Rn	0011nnnnmmmm1010	##10		Rn	Rm	Rn	SUBC			
ALU	SUBV Rm,Rn	0011nnnnmmmm1011	##11		Rn	Rm	Rn	SUBV			
ALU	ADD Rm,Rn	0011nnnnmmmm1100	##12		Rn	Rm	Rn	ADD			
MULT	DMULS.L Rm,Rn	0011nnnnmmmm1101	##13								Rn->M1,Rm->M2,DMULS.L
ALU	ADDC Rm,Rn	0011nnnnmmmm1110	##14		Rn	Rm	Rn	ADDC			
ALU	ADDD Rm,Rn	0011nnnnmmmm1111	##15		Rn	Rm	Rn	ADDD			

Table14.1 Aquarius Instruction Codes (1)

Class	Mnemonic	Code Binary	Code Hex	Step	X	Y	Z	ALU	CMP	SFT	Others
ALU	SHLL Rn	0100nnnn00000000	4##000		Rn		Rn			SHLL	
ALU	DT Rn	0100nnnn00010000	4##100		Rn	-1	Rn	ADD			result->T
ALU	SHAL Rn	0100nnnn00010000	4##200		Rn		Rn			SHAL	
ALU	SHLR Rn	0100nnnn00000001	4##001		Rn		Rn			SHLR	
ALU	CMP/PZ Rn	0100nnnn00010001	4##101		Rn				CMP/PZ		result->T
ALU	SHAR Rn	0100nnnn00010001	4##201		Rn		Rn			SHAR	
Store	STS.L MACH,@-Rn	0100nnnn00000100	4##002		Rn	-4	Rn/MAAD	ADD			MACH->MADW,WR.L
Store	STS.L MACL,@-Rn	0100nnnn00000100	4##102		Rn	-4	Rn/MAAD	ADD			MACL->MADW,WR.L
Store	STS.L PR,@-Rn	0100nnnn00000100	4##202		Rn	-4	Rn/MAAD	ADD			PR->MADW,WR.L
STC	STC.L SR,@-Rn	0100nnnn00000110	4##003	multi	Rn	-4	Rn/MAAD	ADD			SR->MADW,WR.L
STC	STC.L GBR,@-Rn	0100nnnn00000110	4##103	multi	Rn	-4	Rn/MAAD	ADD			GBR->MADW,WR.L
STC	STC.L VBR,@-Rn	0100nnnn00000110	4##203	multi	Rn	-4	Rn/MAAD	ADD			VBR->MADW,WR.L
ALU	ROTL Rn	0100nnnn00000100	4##004		Rn		Rn			ROTL	
ALU	ROTCL Rn	0100nnnn00010100	4##204		Rn		Rn			ROTCL	
ALU	ROTR Rn	0100nnnn00000101	4##005		Rn		Rn			ROTR	
ALU	CMP/PL Rn	0100nnnn00010101	4##105		Rn				CMP/PL		result->T
ALU	ROTCR Rn	0100nnnn00010101	4##205		Rn		Rn			ROTCR	
Load	LDS.L @Rm+,MACH	0100mmmm00000110	4##006		Rm	4	Rm	ADD			Rm->MAAD,RD.L,MADR->MACH
Load	LDS.L @Rm+,MACL	0100mmmm00000110	4##106		Rm	4	Rm	ADD			Rm->MAAD,RD.L,MADR->MACL
Load	LDS.L @Rm+,PR	0100mmmm00000110	4##206		Rm	4	Rm	ADD			Rm->MAAD,RD.L,MADR->PR
LDC(IM)	LDC.L @Rm+,SR	0100mmmm00000111	4##007	multi	Rm	4	Rm	ADD			Rm->MAAD,RD.L,MADR->SR
LDC	LDC.L @Rm+,GBR	0100mmmm00000111	4##107	multi	Rm	4	Rm	ADD			Rm->MAAD,RD.L,MADR->GBR
LDC	LDC.L @Rm+,VBR	0100mmmm00000111	4##207	multi	Rm	4	Rm	ADD			Rm->MAAD,RD.L,MADR->VBR
ALU	SHLL2 Rn	0100nnnn00001000	4##008		Rn		Rn			SHLL2	
ALU	SHLL8 Rn	0100nnnn00001000	4##108		Rn		Rn			SHLL8	
ALU	SHLL16 Rn	0100nnnn00001000	4##208		Rn		Rn			SHLL16	
ALU	SHLR2 Rn	0100nnnn00001001	4##009		Rn		Rn			SHLR2	
ALU	SHLR8 Rn	0100nnnn00001001	4##109		Rn		Rn			SHLR8	
ALU	SHLR16 Rn	0100nnnn00001001	4##209		Rn		Rn			SHLR16	
ALU	LDS Rm,MACH	0100mmmm00000100	4##010		Rm						Rm->MACH
ALU	LDS Rm,MACL	0100mmmm00000100	4##110		Rm						Rm->MACL
ALU	LDS Rm,PR	0100mmmm00000100	4##210		Rm		PR	THRUX			
BRA	JSR @Rm	0100mmmm00000101	4##011	1st	Rm		PC	THRUX			CurPC->PR
BRA	JSR @Rm	0100mmmm00000101	4##011	2nd	Rm						IFADSEL,IF_JP
RMW	TAS.B @Rn	0100nnnn00001011	4##111	1st	Rn		MAAD	THRUX			RD.B
RMW	TAS.B @Rn	0100nnnn00001011	4##111	2nd	MADR	080	MADW	AND	CMP/Z		WR.B,result->T
BRA	JMP @Rm	0100mmmm00000101	4##211	1st	Rm		PC	THRUX			
BRA	JMP @Rm	0100mmmm00000101	4##211	2nd	Rm						IFADSEL,IF_JP
ALU(IM)	LDC Rm,SR	0100mmmm00000110	4##014		Rm		SR	THRUX			
ALU(IM)	LDC Rm,GBR	0100mmmm00000110	4##114		Rm		GBR	THRUX			
ALU(IM)	LDC Rm,VBR	0100mmmm00000110	4##214		Rm		VBR	THRUX			
MULT	MAC.W @Rm+,@Rn+	0100nnnnmmmm1111	4##015	1st	Rm	4	Rn	ADD			Rn->MAAD,RD.W,MADR->M1
MULT	MAC.W @Rm+,@Rn+	0100nnnnmmmm1111	4##015	2nd	Rm	4	Rn	ADD			Rm->MAAD,RD.W,MADR->M2,MAC.W
Load	MOV.L @(disp,Rm),Rn	0101nnnnmmmmdddd	5##000		Rm		MAAD	ADDCN			Od*4+Rm->MAAD, RD.L,MADR->Rn
Load	MOV.B @Rm, Rn	0110nnnnmmmm0000	6##000		Rm		Rm	MAAD	THRUY		RD.B,MADR->Rn
Load	MOV.W @Rm, Rn	0110nnnnmmmm0001	6##001		Rm		Rm	MAAD	THRUY		RD.W,MADR->Rn
Load	MOV.L @Rm, Rn	0110nnnnmmmm0010	6##002		Rm		Rm	MAAD	THRUY		RD.L,MADR->Rn
ALU	MOV Rm,Rn	0110nnnnmmmm0011	6##003		Rm		Rn			THRUY	
Load	MOV.B @Rm+ ,Rn	0110nnnnmmmm0100	6##004		Rm	1	Rm	ADD			Rm->MAAD,RD.B,MADR->Rn
Load	MOV.W @Rm+ ,Rn	0110nnnnmmmm0101	6##005		Rm	2	Rm	ADD			Rm->MAAD,RD.W,MADR->Rn
Load	MOV.L @Rm+ ,Rn	0110nnnnmmmm0110	6##006		Rm	4	Rm	ADD			Rm->MAAD,RD.L,MADR->Rn
ALU	NOT Rm,Rn	0110nnnnmmmm0111	6##007		Rm		Rn			NOT	
ALU	SWAP.B Rm,Rn	0110nnnnmmmm1000	6##008		Rn		Rm			SWAPB	
ALU	SWAP.W Rm,Rn	0110nnnnmmmm1001	6##009		Rn		Rm			SWAPW	
ALU	NEGC Rm,Rn	0110nnnnmmmm1010	6##010		Rm		Rn			NEGC	
ALU	NEG Rm,Rn	0110nnnnmmmm1011	6##011		Rm		Rn			NEG	
ALU	EXTU.B Rm,Rn	0110nnnnmmmm1100	6##012		Rm		Rn			EXTUB	
ALU	EXTU.W Rm,Rn	0110nnnnmmmm1101	6##013		Rm		Rn			EXTUW	
ALU	EXTS.B Rm,Rn	0110nnnnmmmm1110	6##014		Rm		Rn			EXTSB	
ALU	EXTS.W Rm,Rn	0110nnnnmmmm1111	6##015		Rm		Rn			EXTSW	

Table14.1 Aquarius Instruction Codes (2)

Class	Mnemonic	Code Binary	Code Hex	Step	X	Y	Z	ALU	CMP	SFT	Others
ALU	ADD #imm,Rn	0111nnnniiiiiiii	7#####		Rn	si	Rn	ADD			
Store	MOV.B R0,@(disp,Rn)	10000000nnnndddd	80###		Rn	R0	MAAD	ADDCN			0d*1+Rn->MAAD, R0->MADW,WR.B
Store	MOV.W R0,@(disp,Rn)	10000001nnnndddd	81###		Rn	R0	MAAD	ADDCN			0d*2+Rn->MAAD, R0->MADW,WR.W
Load	MOV.B @(disp,Rm),R0	10000100mmmmdddd	84###		Rm		MAAD	ADDCN			0d*1+Rm->MAAD, RD.B,MADR->R0
Load	MOV.W @(disp,Rm),R0	10000101mmmmdddd	85###		Rm		MAAD	ADDCN			0d*2+Rm->MAAD, RD.W,MADR->R0
ALU	CMP/EQ #imm R0	10001000iiiiiiii	88###		R0	si			CMP/EQ		result->T
Bcc	BT disp	10001001dddddddd	89###	1st	PC	sd*2	PC	ADD			if ~T then NOP and DISPATCH
Bcc	BT disp	10001001dddddddd	89###	2nd							IFADSEL,IF_JP
Bcc	BT disp	10001001dddddddd	89###	3rd							NOP operation
Bcc	BF disp	10001011dddddddd	811###	1st	PC	sd*2	PC	ADD			if T then NOP and DISPATCH
Bcc	BF disp	10001011dddddddd	811###	2nd							IFADSEL,IF_JP
Bcc	BF disp	10001011dddddddd	811###	3rd							NOP operation
Bcc/S	BT/S disp	10001101dddddddd	813###		PC	sd*2	PC	ADD			if result
Bcc/S	BF/S disp	10001111dddddddd	815###		PC	sd*2	PC	ADD			if result
Load	MOV.W @(disp,PC),Rn	1001nnnndddddddd	9###		PC	0d*2	MAAD	ADD			RD.L,MADR->Rn
BR	BRA disp	1010dddddddddddd	10###	1st	PC	sd*2	PC	ADD			
BR	BRA disp	1010dddddddddddd	10###	2nd							IFADSEL,IF_JP
BR	BSR disp	1011dddddddddddd	11###	1st	PC	sd*2	PC	ADD			CurPC->PR
BR	BSR disp	1011dddddddddddd	11###	2nd							IFADSEL,IF_JP
Store	MOV.B R0,@(disp,GBR)	11000000dddddddd	120###		GBR	R0	MAAD	ADDCN			0d*1+GRB->MAAD, R0->MADW,WR.B
Store	MOV.W R0,@(disp,GBR)	11000001dddddddd	121###		GBR	R0	MAAD	ADDCN			0d*2+GRB->MAAD, R0->MADW,WR.W
Store	MOV.L R0,@(disp,GBR)	11000010dddddddd	122###		GBR	R0	MAAD	ADDCN			0d*4+GRB->MAAD, R0->MADW,WR.L
TRAP	TRAPA #imm	11000011iiiiiiii	123###	multi	PC	0i*4	PC	ADD			TRAPA sequence
Load	MOV.B @(disp,GBR),R1	11000100dddddddd	124###		GBR		MAAD	ADDCN			0d*1+GRB->MAAD, RD.B,MADR->R0
Load	MOV.W @(disp,GBR),R1	11000101dddddddd	125###		GBR		MAAD	ADDCN			0d*2+GRB->MAAD, RD.W,MADR->R0
Load	MOV.L @(disp,GBR),R1	11000110dddddddd	126###		GBR		MAAD	ADDCN			0d*4+GRB->MAAD, RD.L,MADR->R0
ALU	MOVA @(disp,PC),R0	11000111dddddddd	127###		PC&FC	0d*4	R0	ADD			
ALU	TST #imm,R0	11001000iiiiiiii	128###		R0	0i		AND			result->T
ALU	AND #imm,R0	11001001iiiiiiii	129###		R0	0i	R0	AND			
ALU	XOR #imm,R0	11001010iiiiiiii	1210###		R0	0i	R0	XOR			
ALU	OR #imm,R0	11001011iiiiiiii	1211###		R0	0i	R0	OR			
RMW	TST.B #imm,@(R0,GBR)	11001100iiiiiiii	1212###	1st	GBR	R0	MAAD	ADD			RD.B
RMW	AND.B #imm,@(R0,GBR)	11001101iiiiiiii	1213###	2nd	MADR	0i		AND			result->T
RMW	XOR.B #imm,@(R0,GBR)	11001110iiiiiiii	1214###	1st	GBR	R0	MAAD	ADD			RD.B
RMW	XOR.B #imm,@(R0,GBR)	11001110iiiiiiii	1214###	2nd	MADR	0i	MADW	AND			WR.B
RMW	OR.B #imm,@(R0,GBR)	11001111iiiiiiii	1215###	1st	GBR	R0	MAAD	ADD			RD.B
RMW	OR.B #imm,@(R0,GBR)	11001111iiiiiiii	1215###	2nd	MADR	0i	MADW	OR			WR.B
Load	MOV.L @(disp,PC),Rn	1101nnnndddddddd	13###		PC&FC	0d*4	MAAD	ADD			RD.L,MADR->Rn
ALU	MOV #imm,Rn	1110nnnniiiiiiii	14###			si	Rn	THRU			
EVENT	Illegal Instruction	11111111*****	1515###	multi							
EVENT	Slot Illegal	111111100000110	151406	multi							
EVENT	IRQ	11110010*****	152###	multi							
EVENT	NMI	1111001100001011	153011	multi							
EVENT	Address Error (CPU)	1111010000001001	15409	multi							
EVENT	Address Error (DMAC)	1111010100001010	155010	multi							
EVENT	Manual Reset	111101100000010	15602	multi							
EVENT	Power on Reset	11110111*****	157###	multi							

Table14.1 Aquarius Instruction Codes (3)