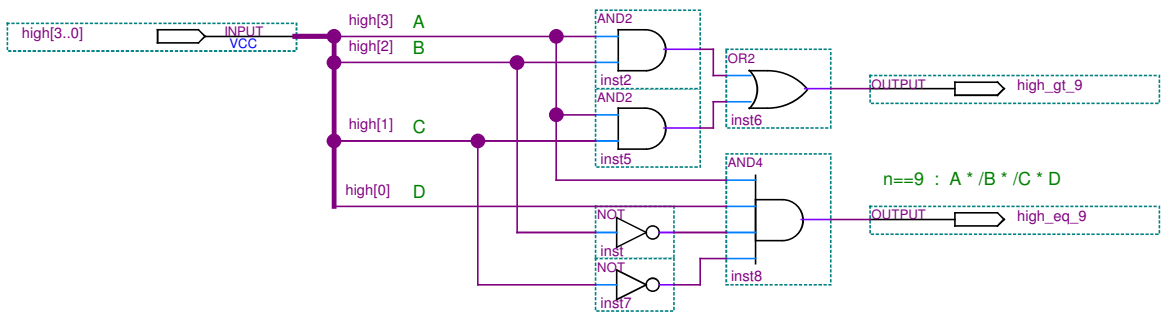


$n > 9 : A * B + A * C$



$n == 9 : A * B * C * D$

PROJECT	A-Z80	MODULE	alu_prep_daa
DESIGNER	Goran Devic		
DATE	May 18, 2014	REV	1.0