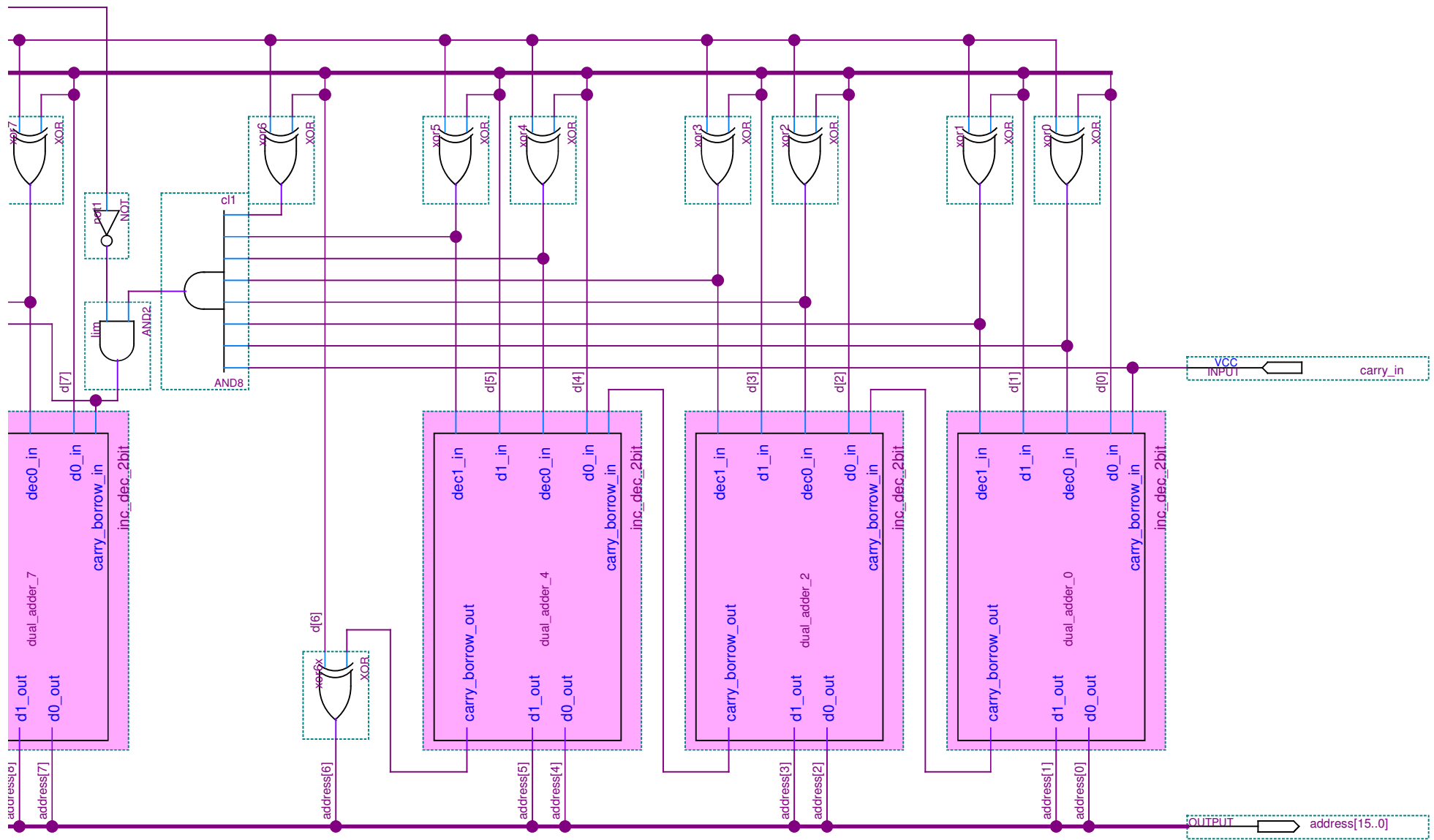


|          |              |        |                |
|----------|--------------|--------|----------------|
| PROJECT  | <b>A-Z80</b> | MODULE | <b>inc_dec</b> |
| DESIGNER | Goran Devic  |        |                |
| DATE     | May 3, 2014  | REV    | 1.0            |

Fast increment / decrement circuit with carry-sk



ip and carry-lookahead