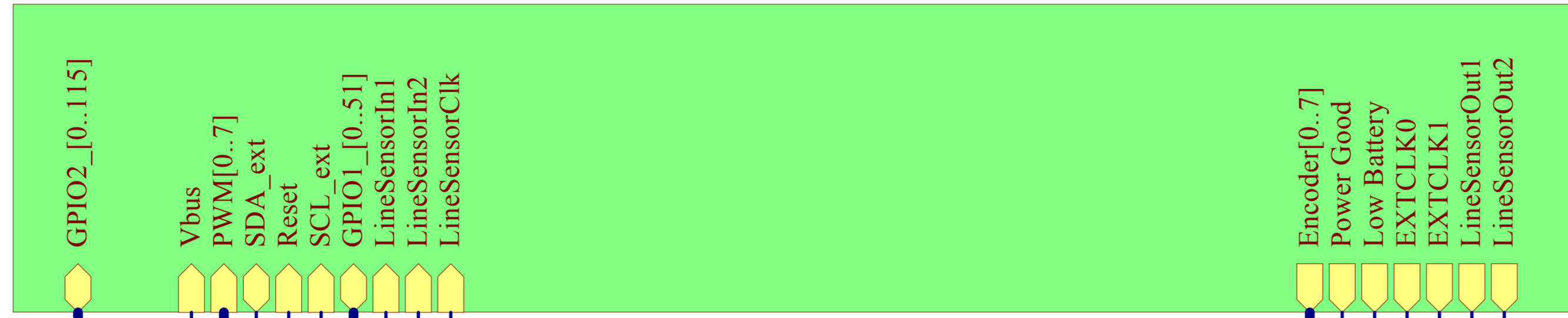


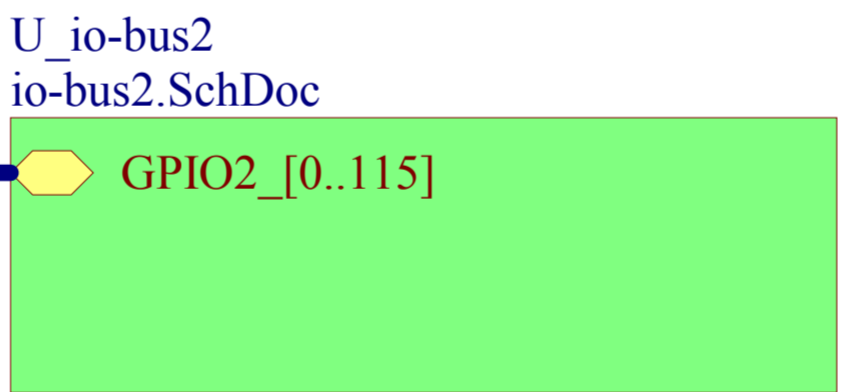
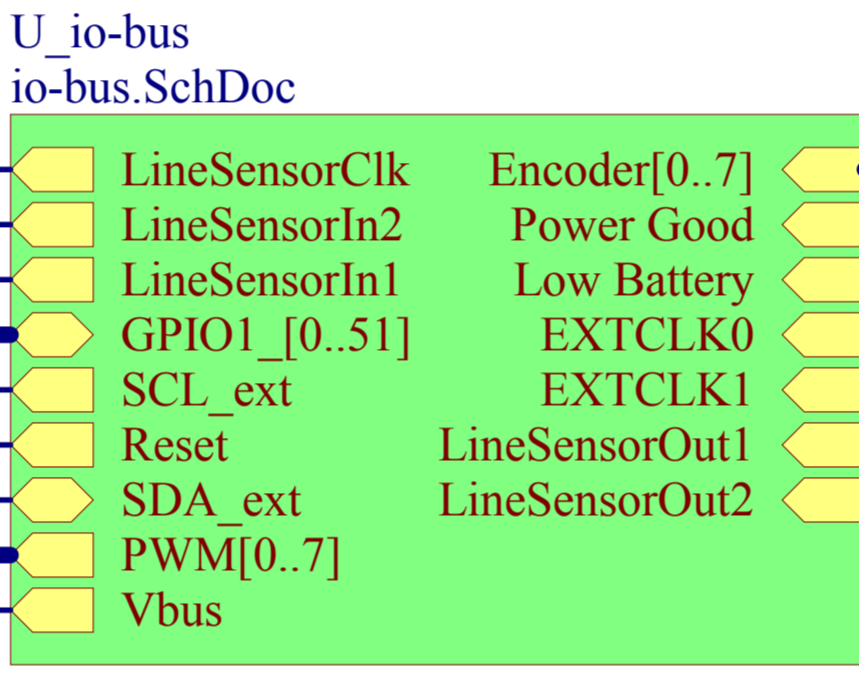
tester
tester.SchDoc



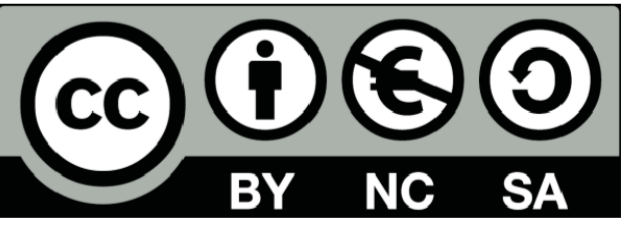
U_serial-con
serial-con.SchDoc



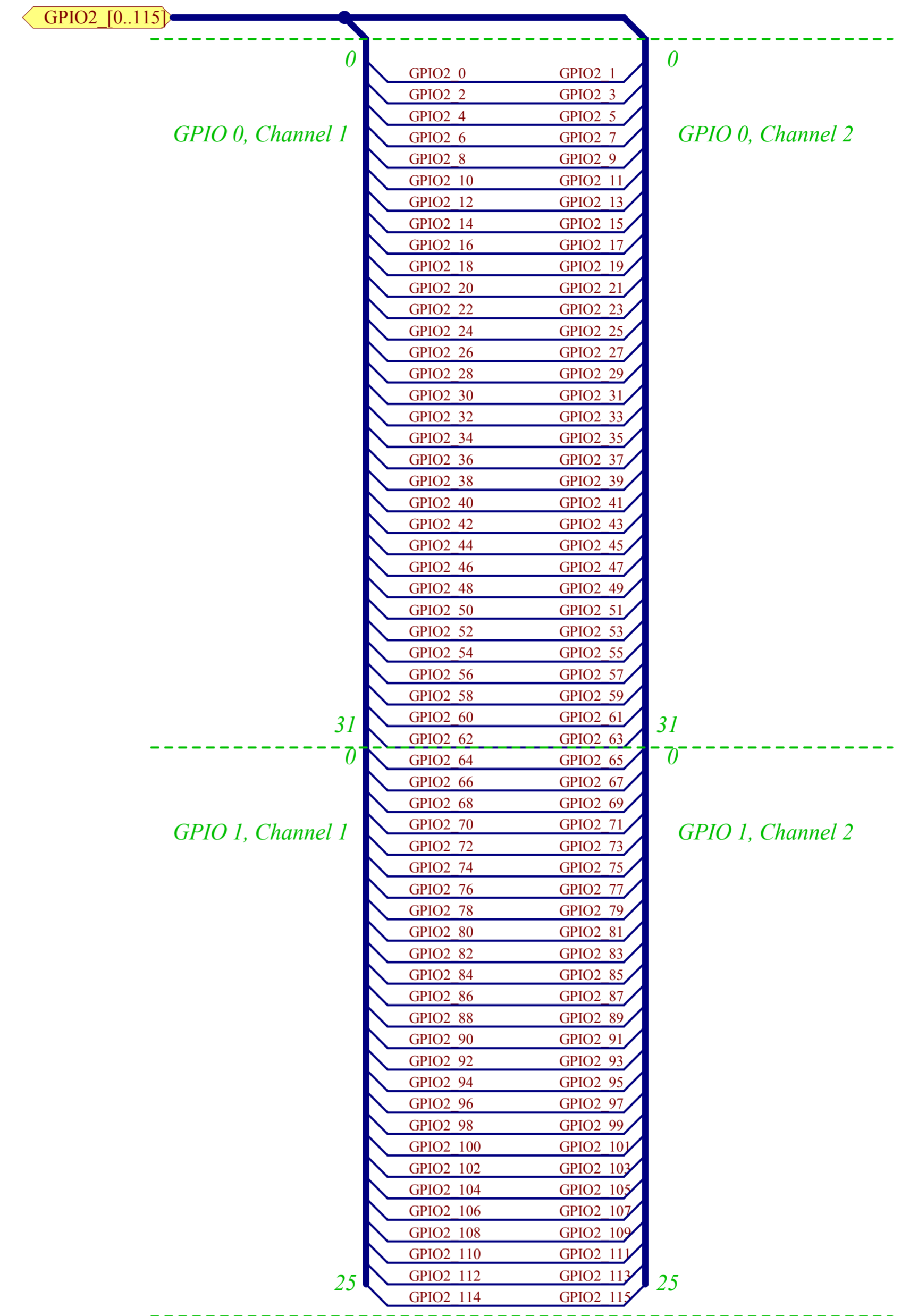
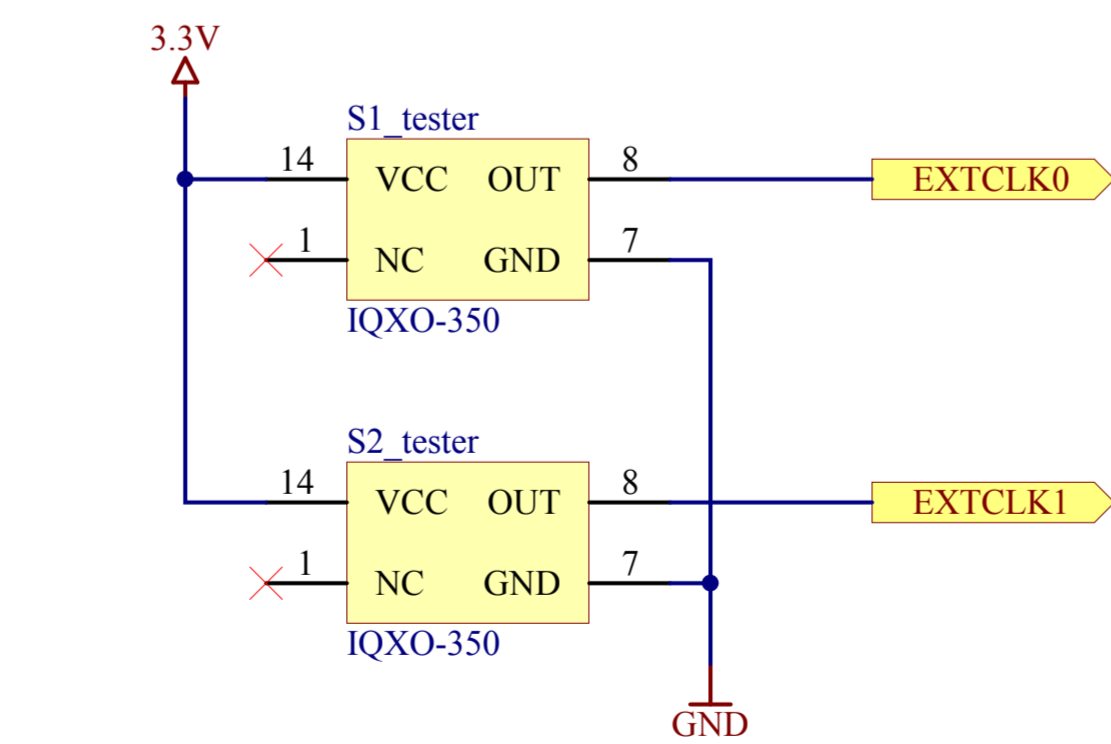
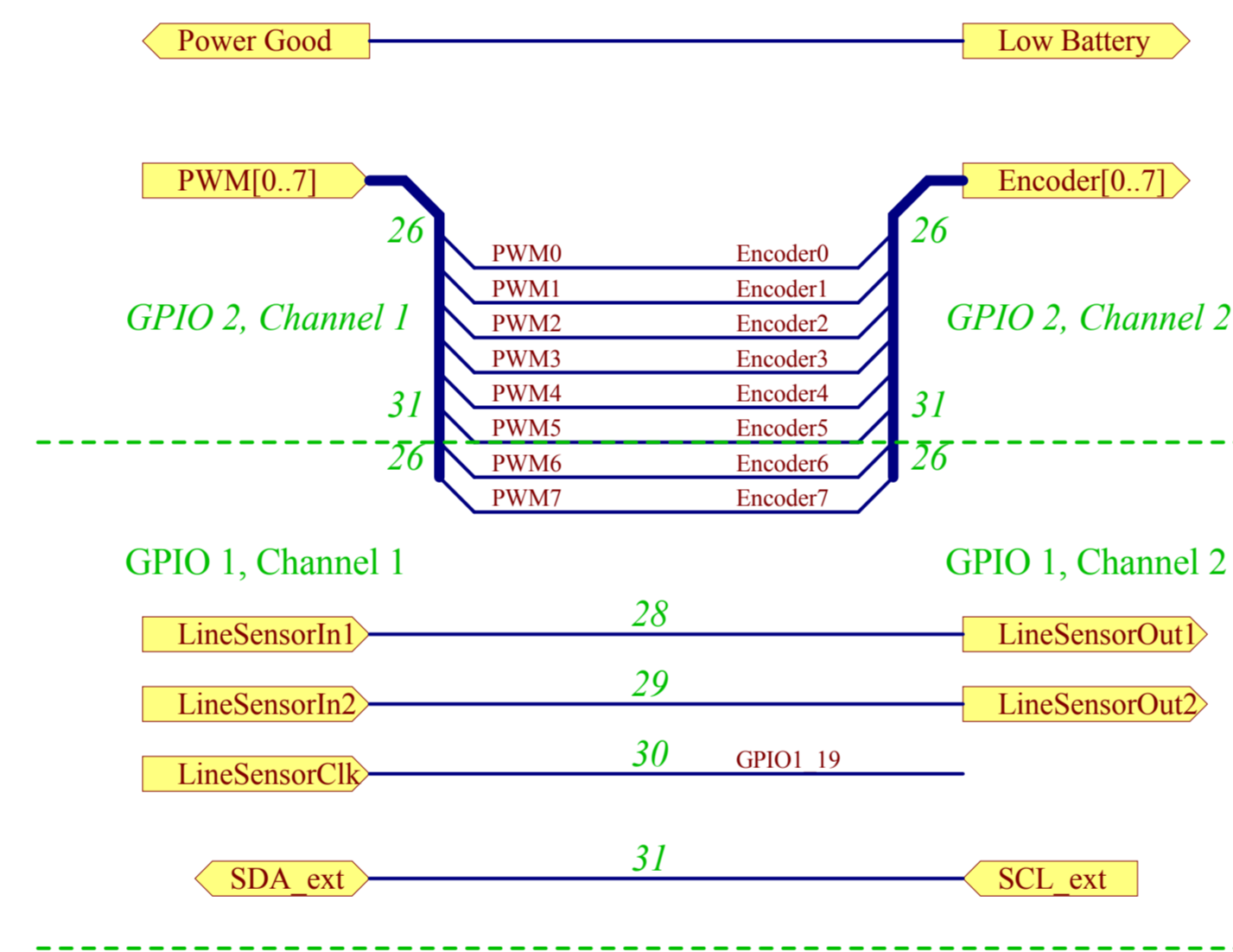
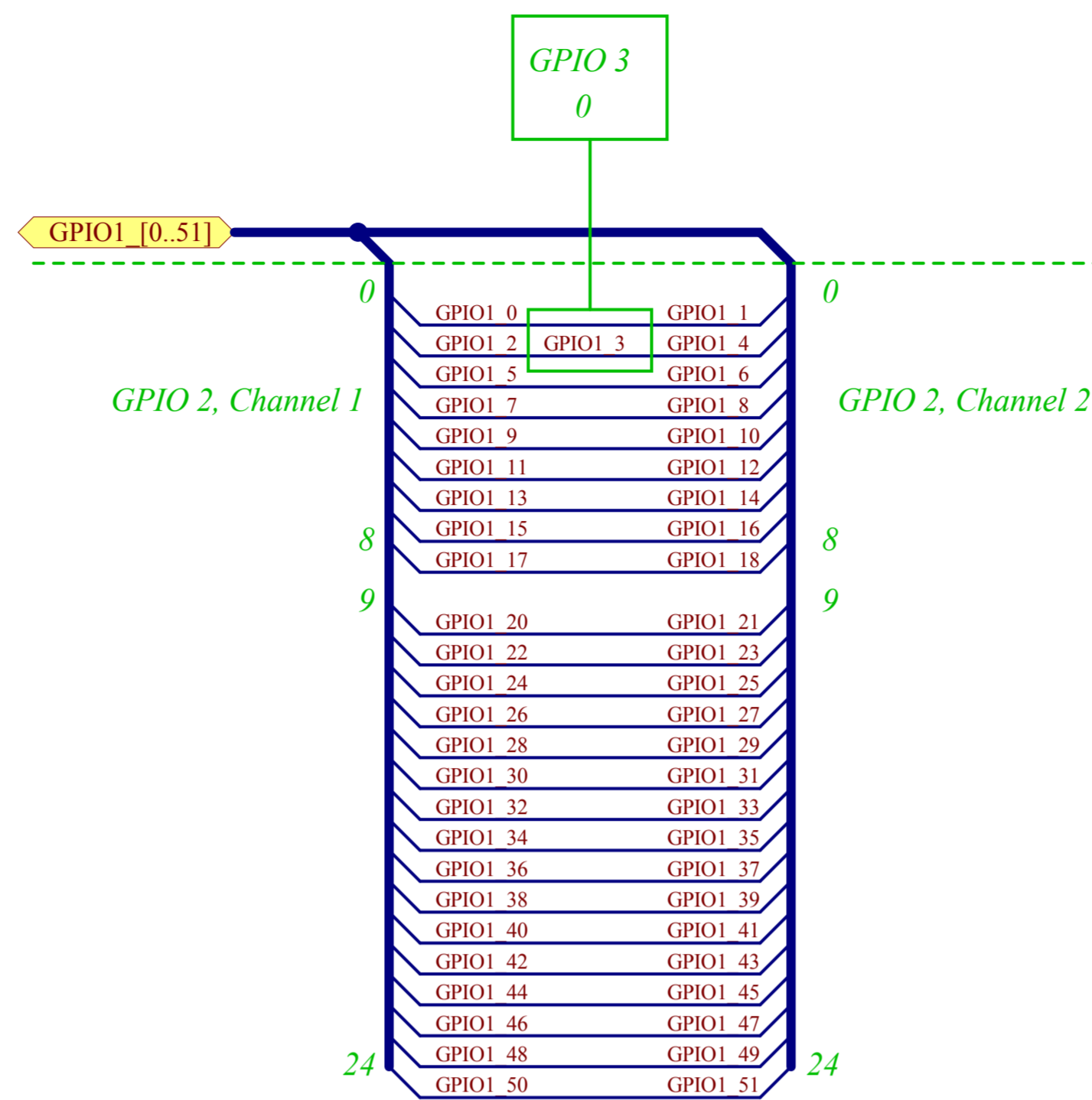
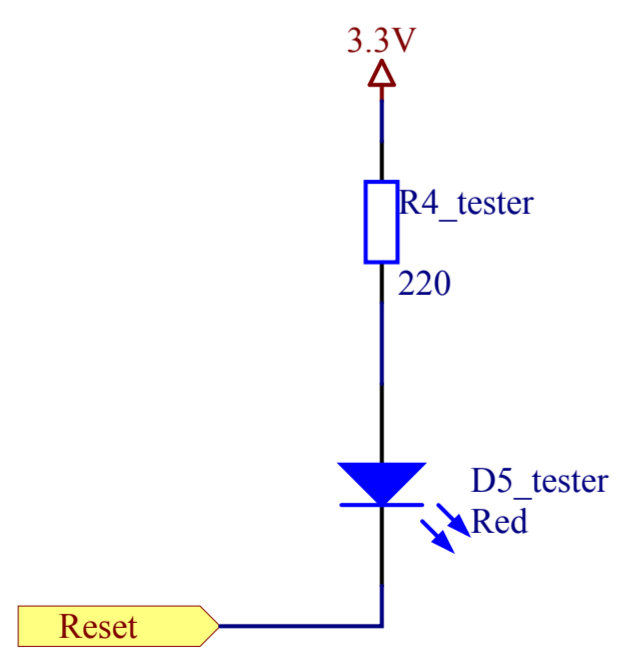
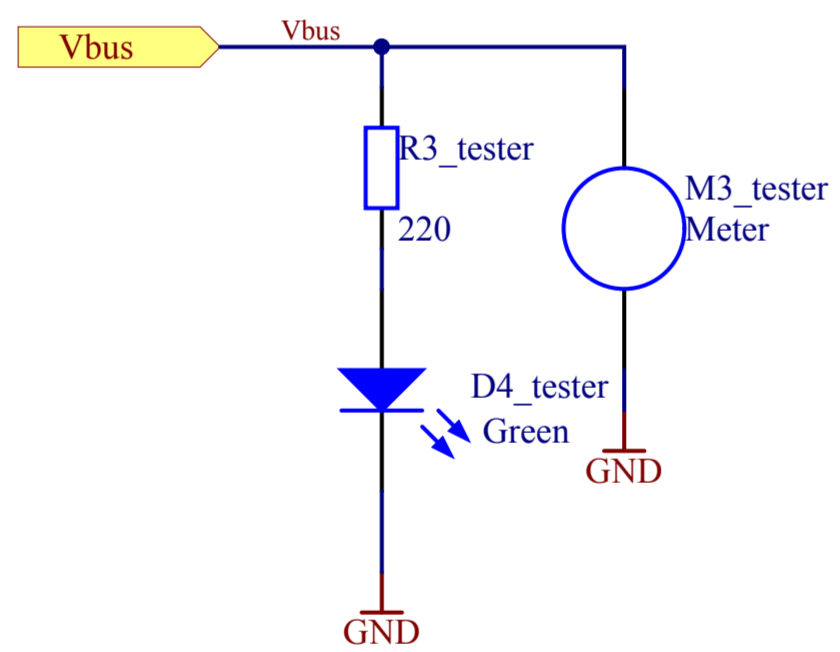
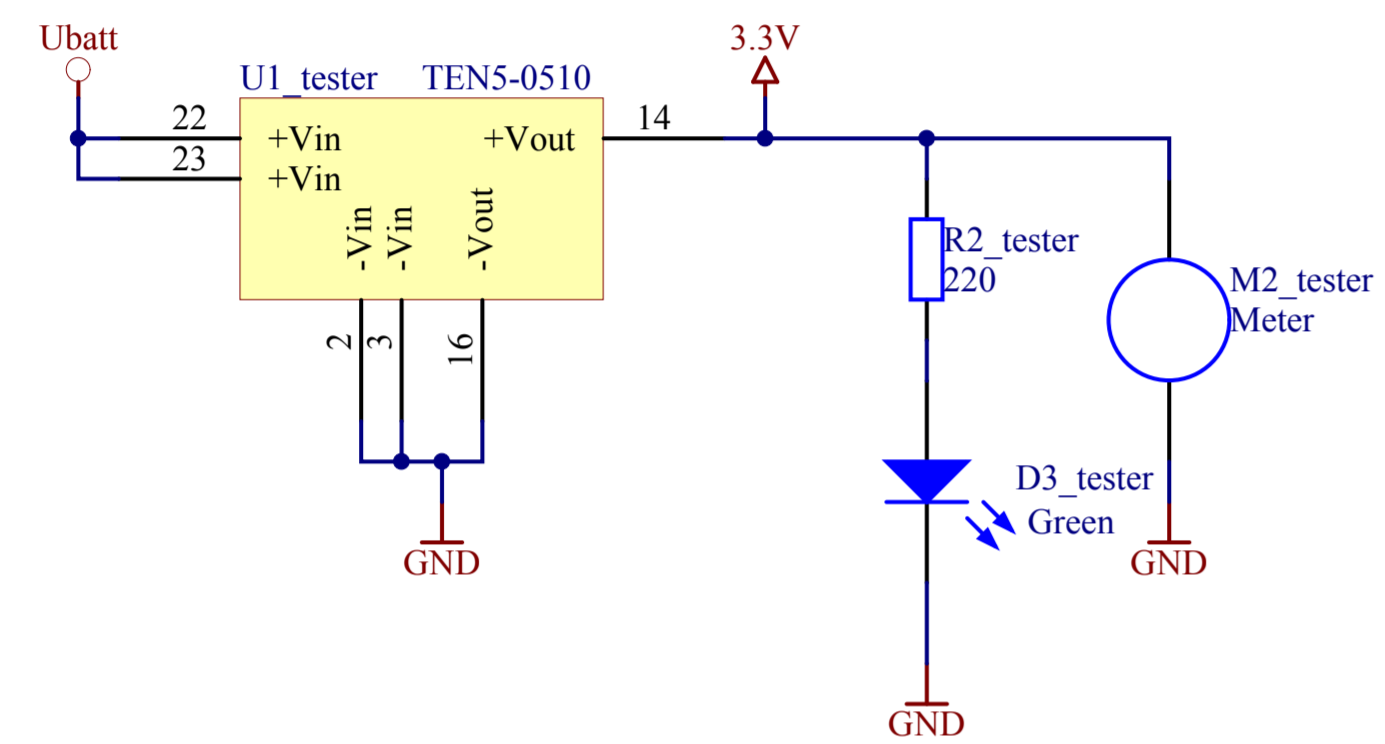
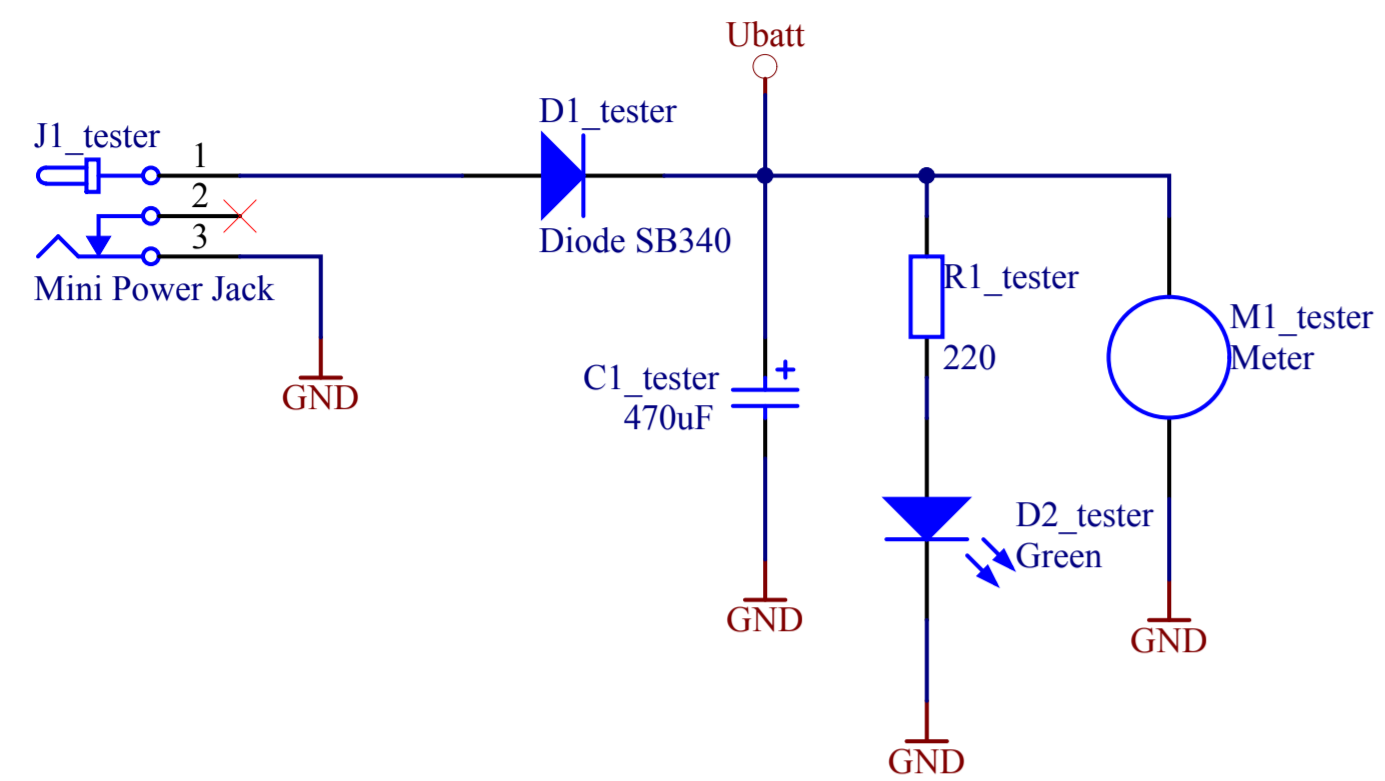
U_ethernet-connector
ethernet-connector.SchDoc



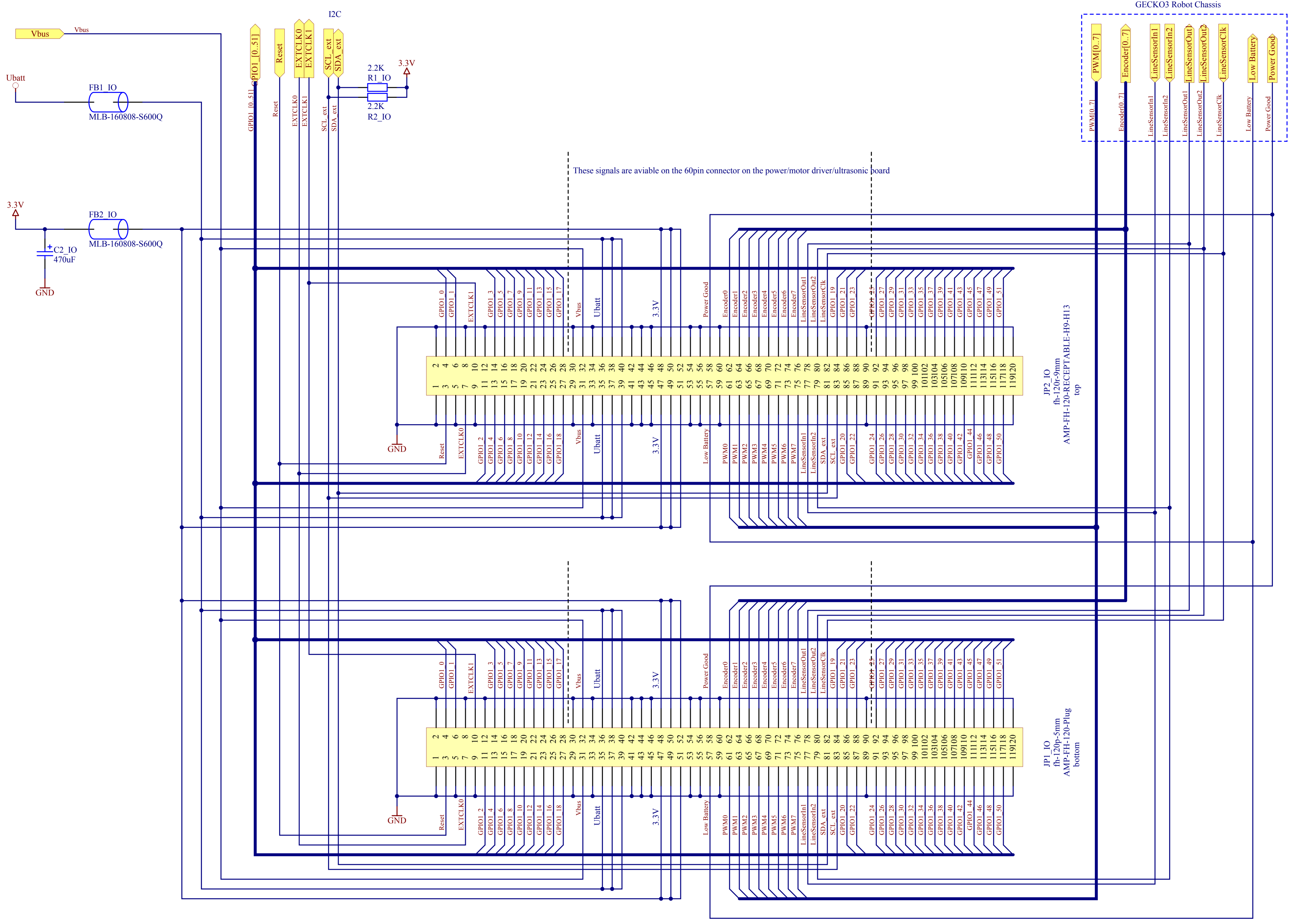
Device under Test



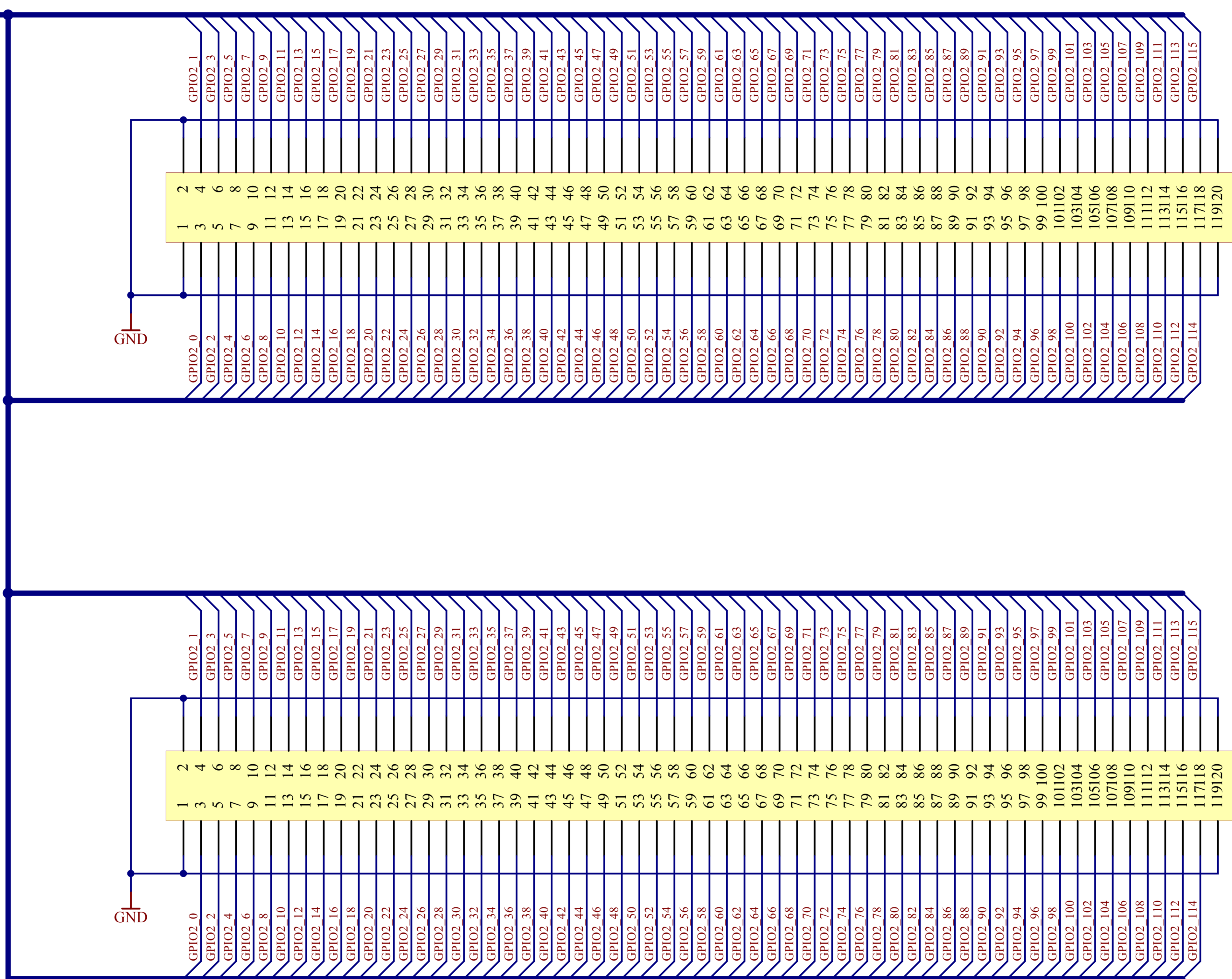
Title: GECKO3main Productiontester			Berne University of Applied Science School of Engineering and Information Technology Quellgasse 21 CH-2501 Biel
Size: A4_L	Author: zac1	Revision: 1	
Date: 23.07.2008	Time: 13:34:54	Sheet 1 of 6	
File: gecko3main-tester.SchDoc			



All text in this color/style belongs to the I/O pins used by the GECKO3tester software. This information is needed to repair shortings/crossings on GECKO3main modules.



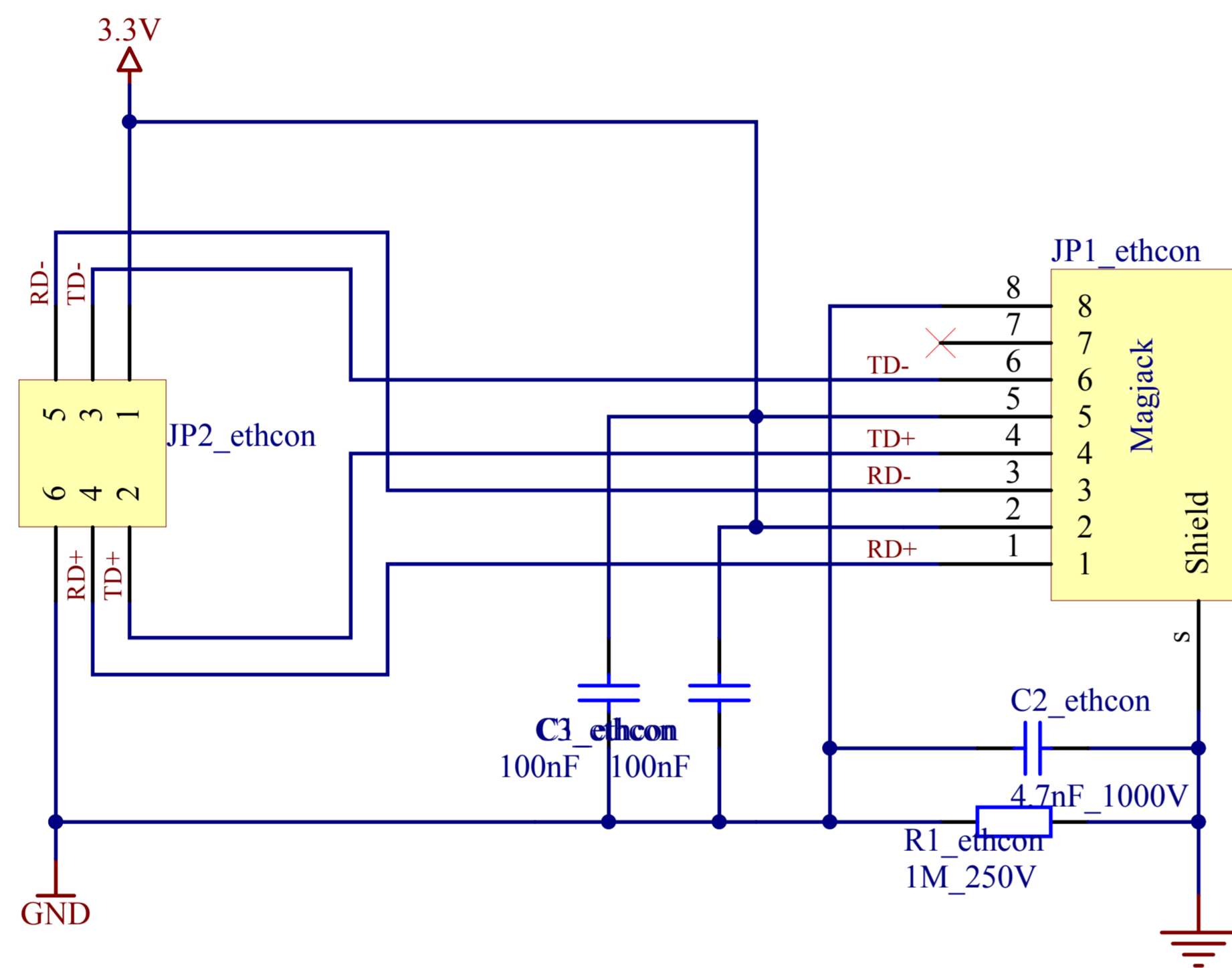
GPIO2 [0..115]



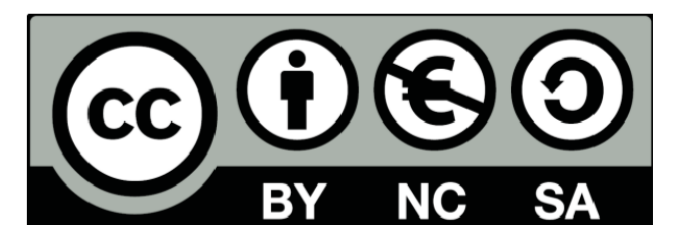
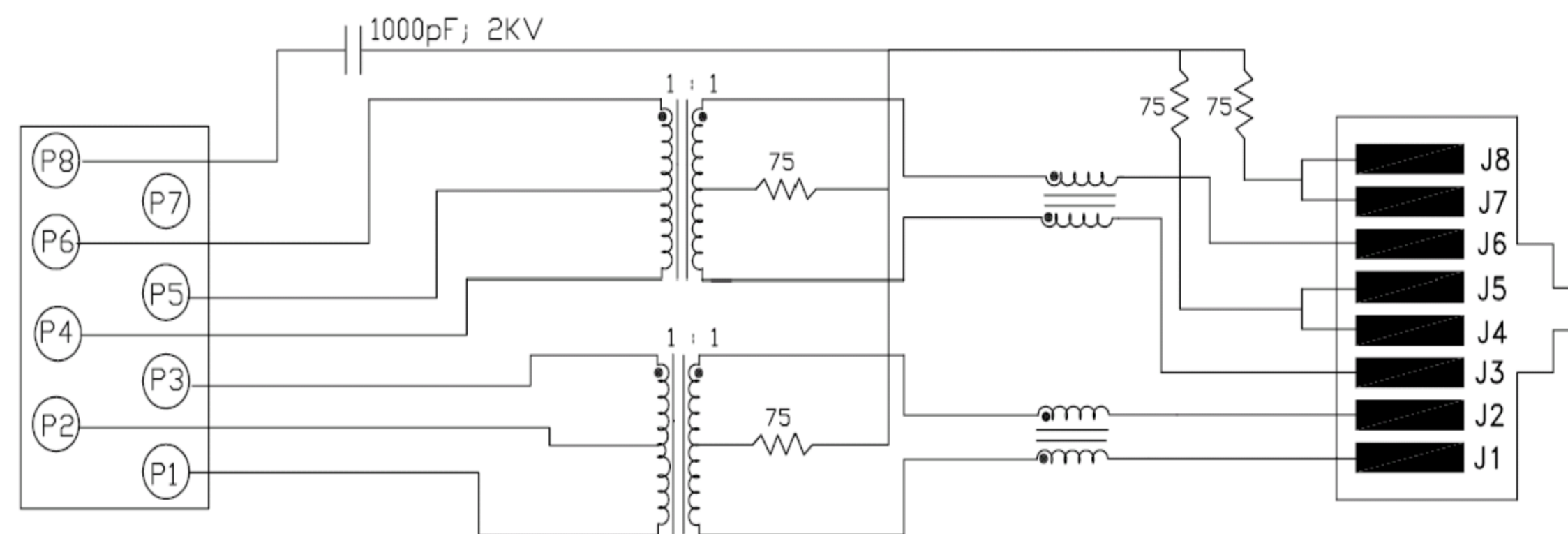
JP1_IO2
fh-120r-9mm
AMP-FH-120-RECEPTABLE-H9-H13
top

JP2_IO2
fh-120p-5mm
AMP-FH-120-Plug
bottom

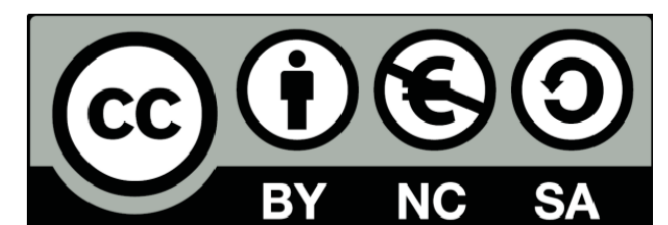
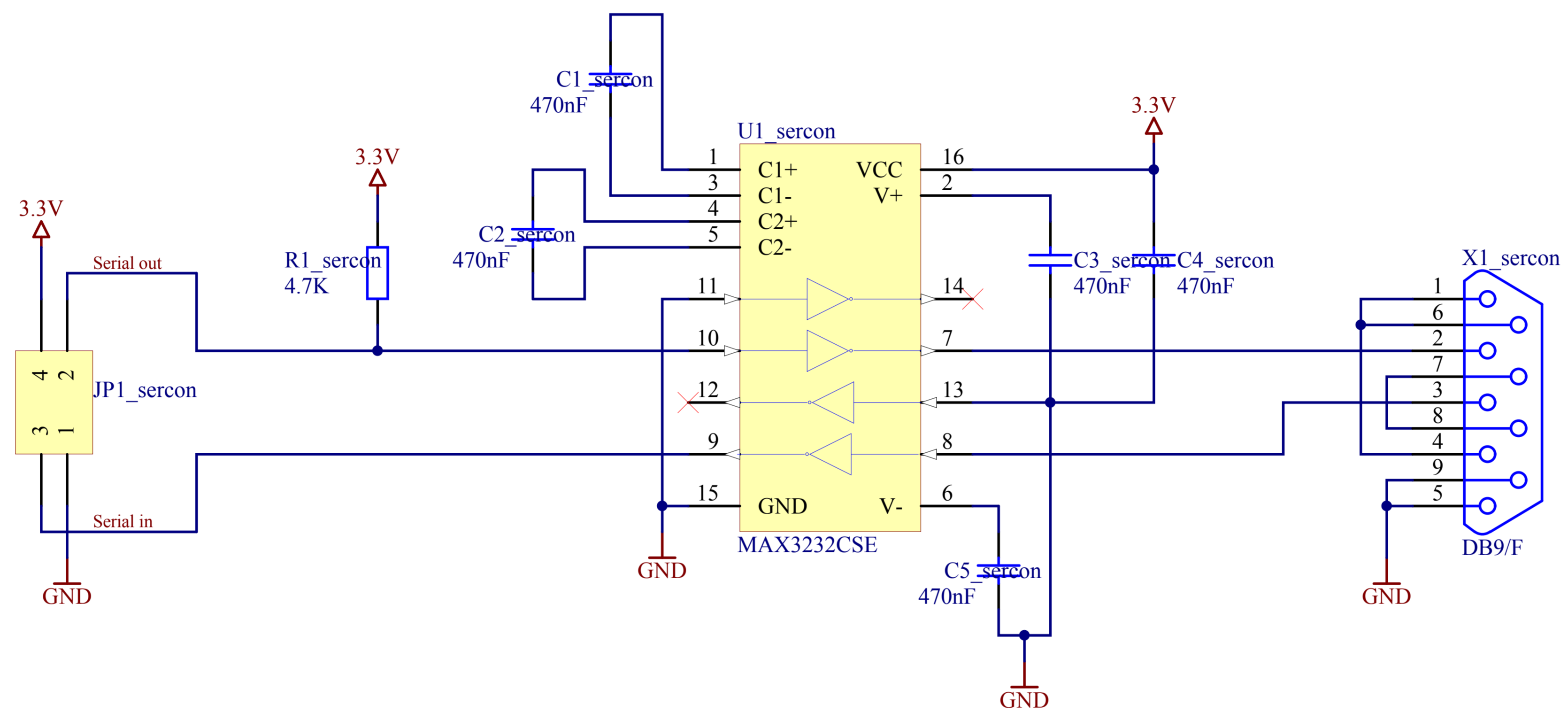
Title: GECKO3 System and I/O Bus		Berne University of Applied Science School of Engineering and Information Technology Quellgasse 21 CH-2501 Biel	
Size: A4_L	Author: zac1	Revision: 1.0	
Date: 23.07.2008	Time: 13:34:55	Sheet 8 of 19	
File: io-bus2.SchDoc			



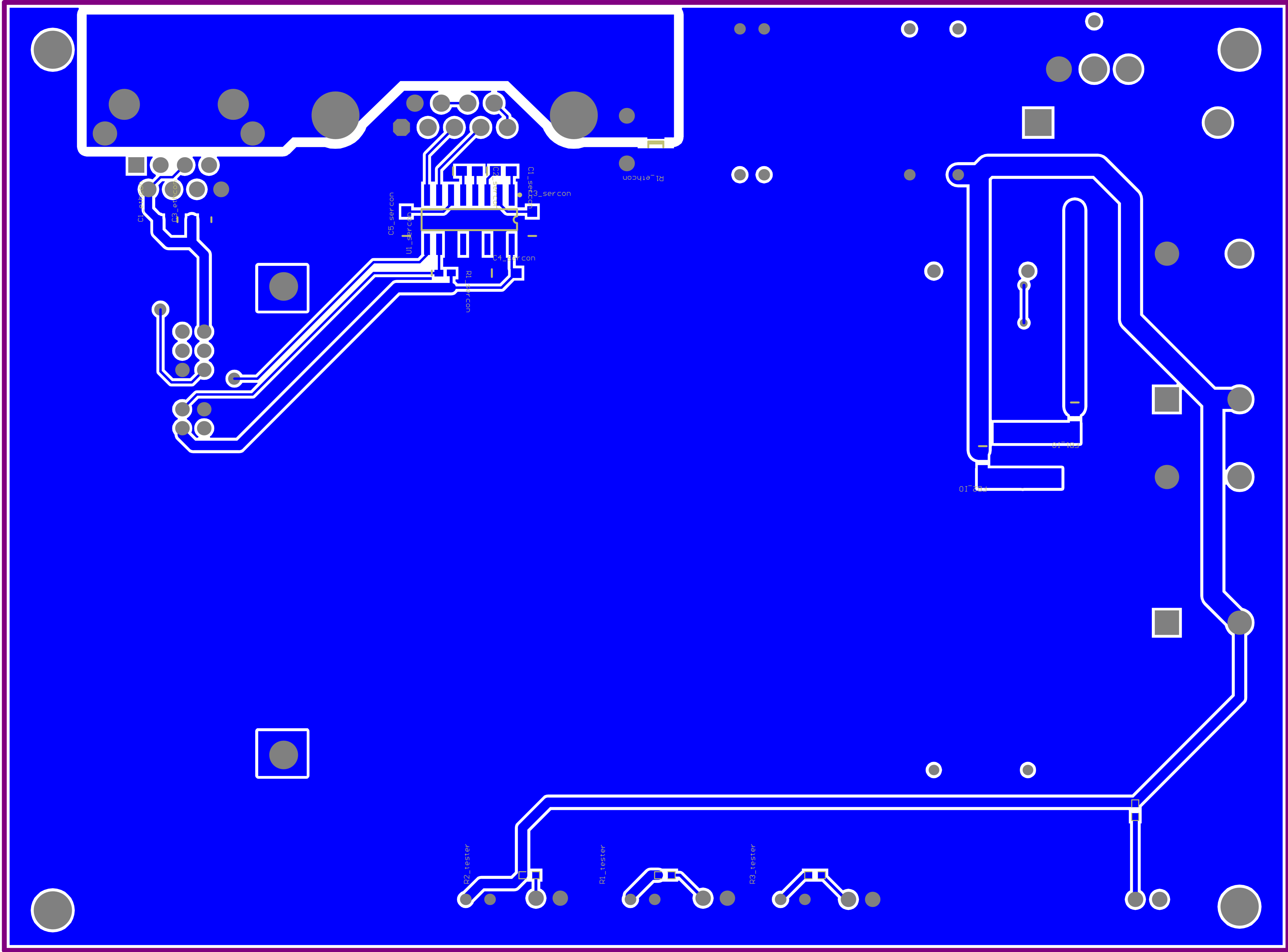
Schematic of the Magjack SI-10021



Title: Ethernet Connector PCB			Berne University of Applied Science School of Engineering and Information Technology Quellgasse 21 CH-2501 Biel
Size: A4_L	Author: zac1	Revision: 1.0	
Date: 23.07.2008	Time: 13:34:55	Sheet 18 of 19	
File: ethernet-connector.SchDoc			



Title: Serial Adapter			Berne University of Applied Science School of Engineering and Information Technology Quellgasse 21 CH-2501 Biel
Size: A4_L	Author: zac1	Revision: 1.0	
Date: 23.07.2008	Time: 13:34:56	Sheet 19 of 19	
File: serial-con.SchDoc			



R4_tester

