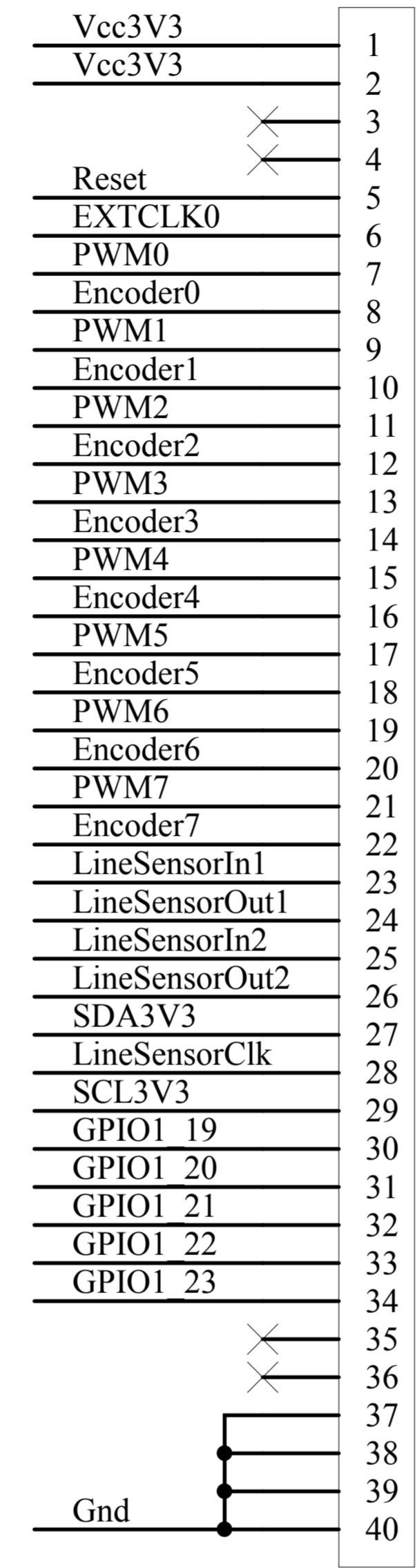
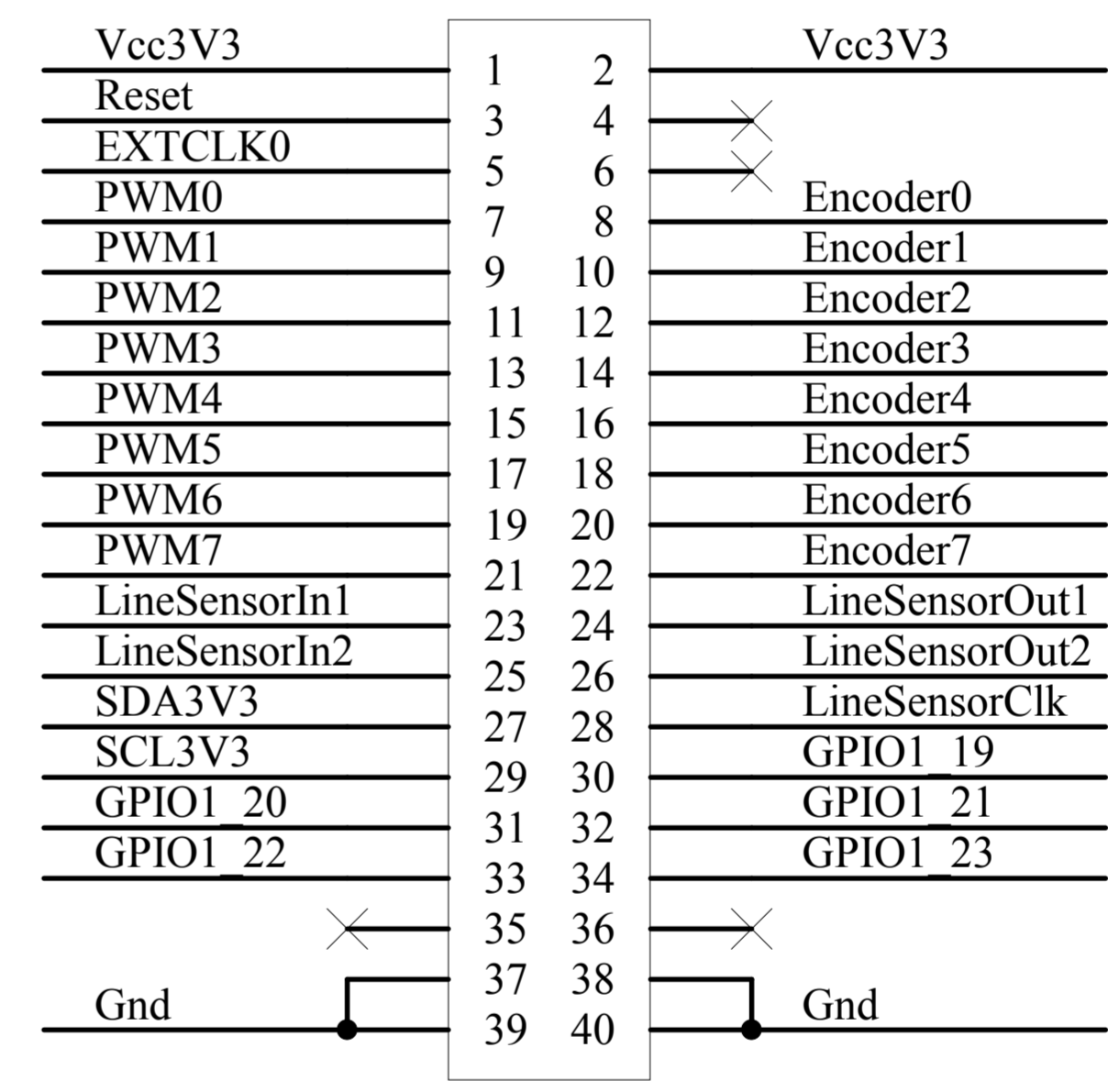
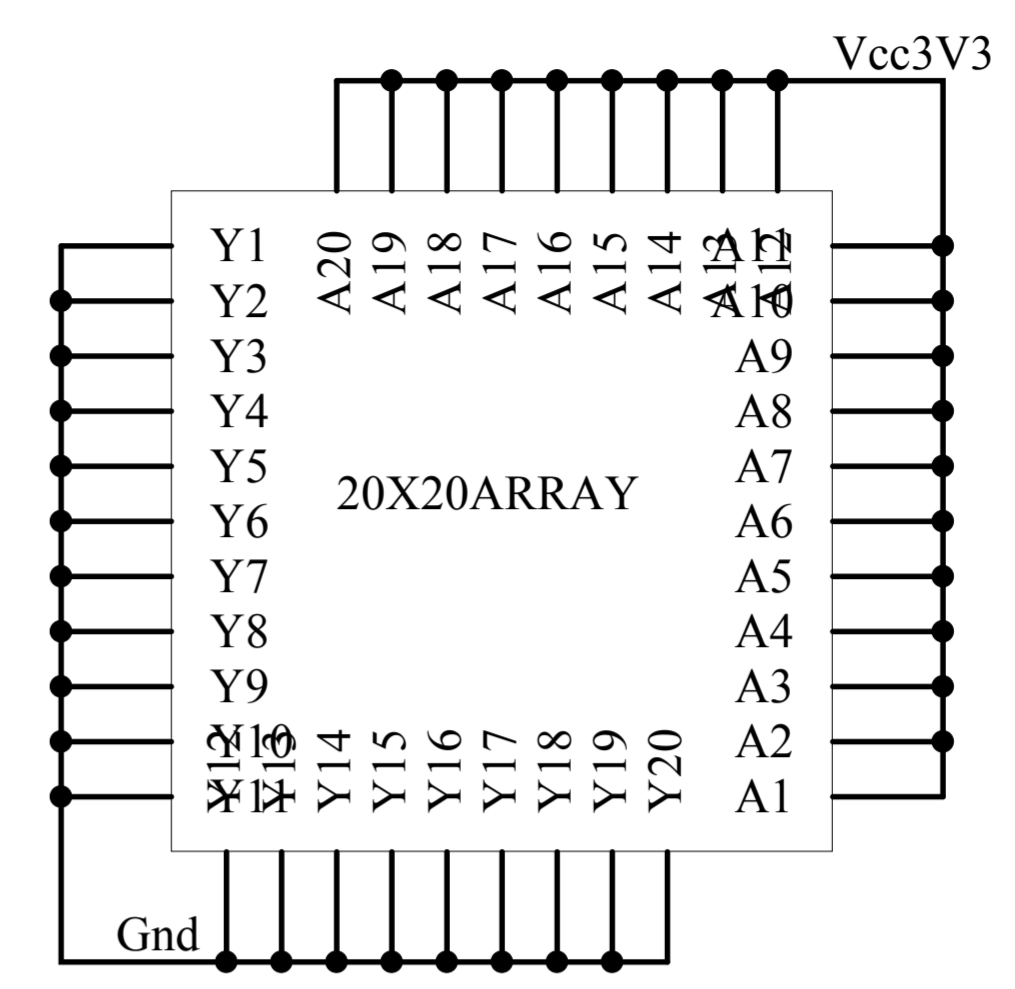


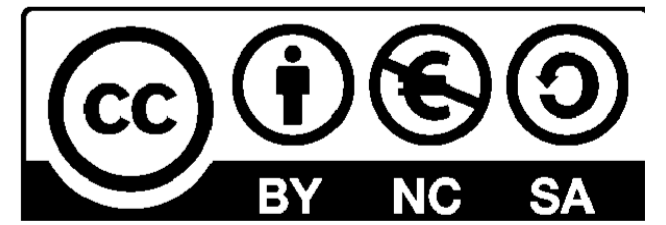
AMP-FH-120-Plug
 AMP-FH-120-Plug



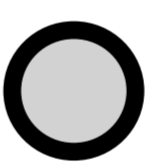
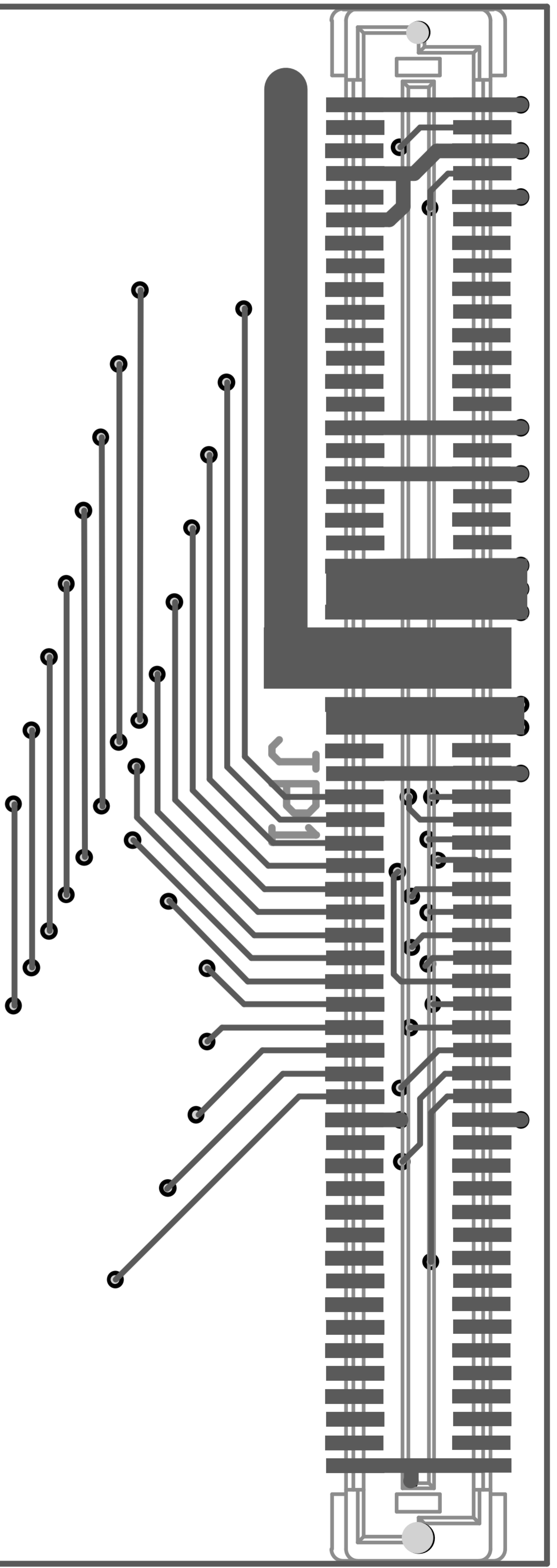
1.27MMX40_EDGE CONNECTOR



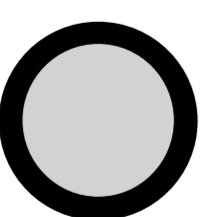
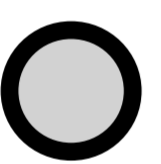
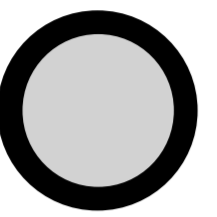
JP2
 NPPC202KFMS



Title: GECKO3basic			Berne University of Applied Science Quellgasse 21 CH-2500 Biel/Bienne Switzerland
Size: A4_L	Author: zac1	Revision: 1.0	
Date: 07.07.2008	Time: 18:06:41	Sheet 1 of 1	
File: Gecko3Basic.SchDoc			



GECK03basic Prototypingboard
Christoph Zimmermann, June 2008

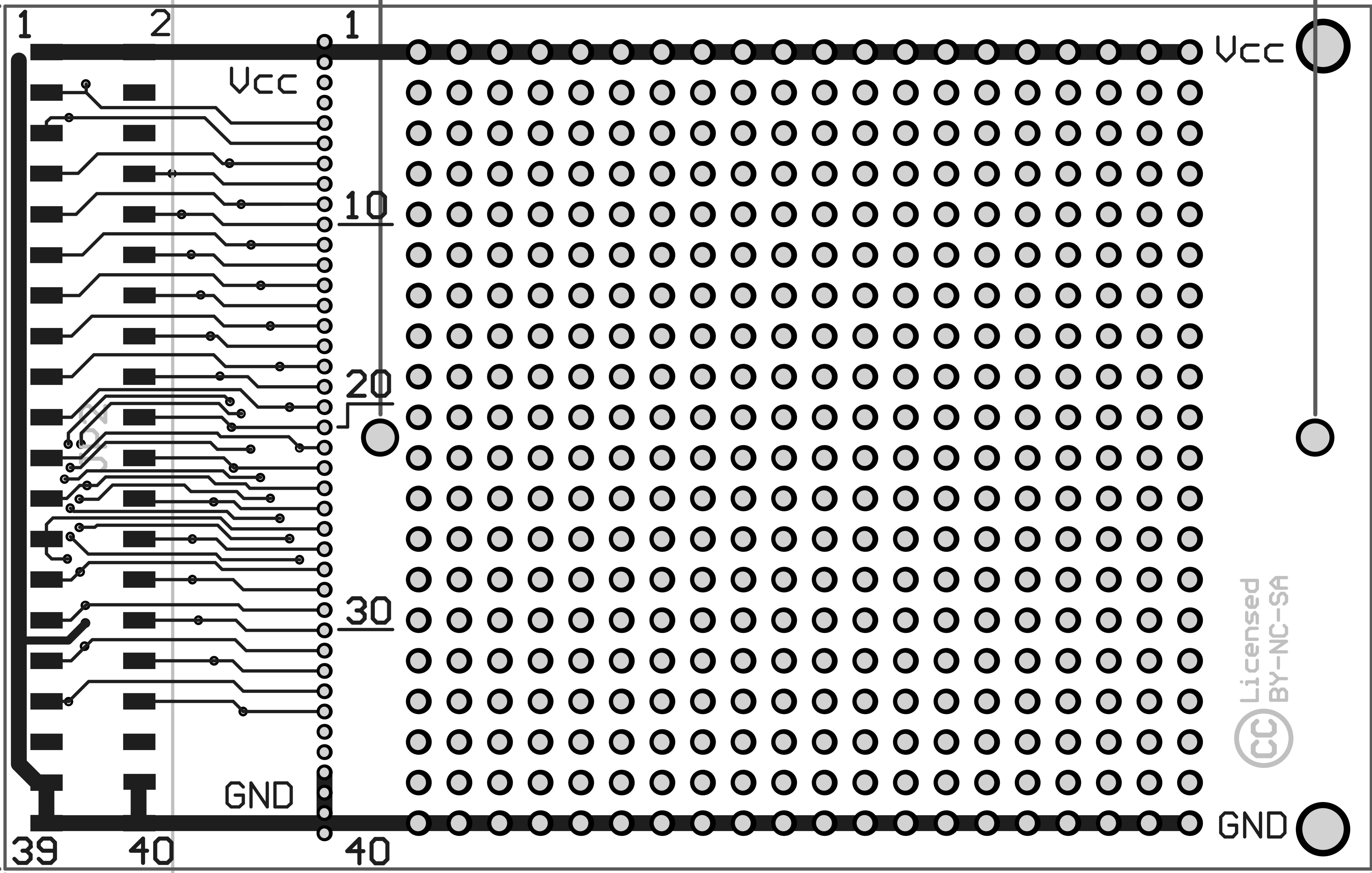


13.00 (mm)

71.50 (mm)

54.00 (mm)

Breadboard 80x60 mm



85.50 (mm)

Licensed
CC BY-NC-SA