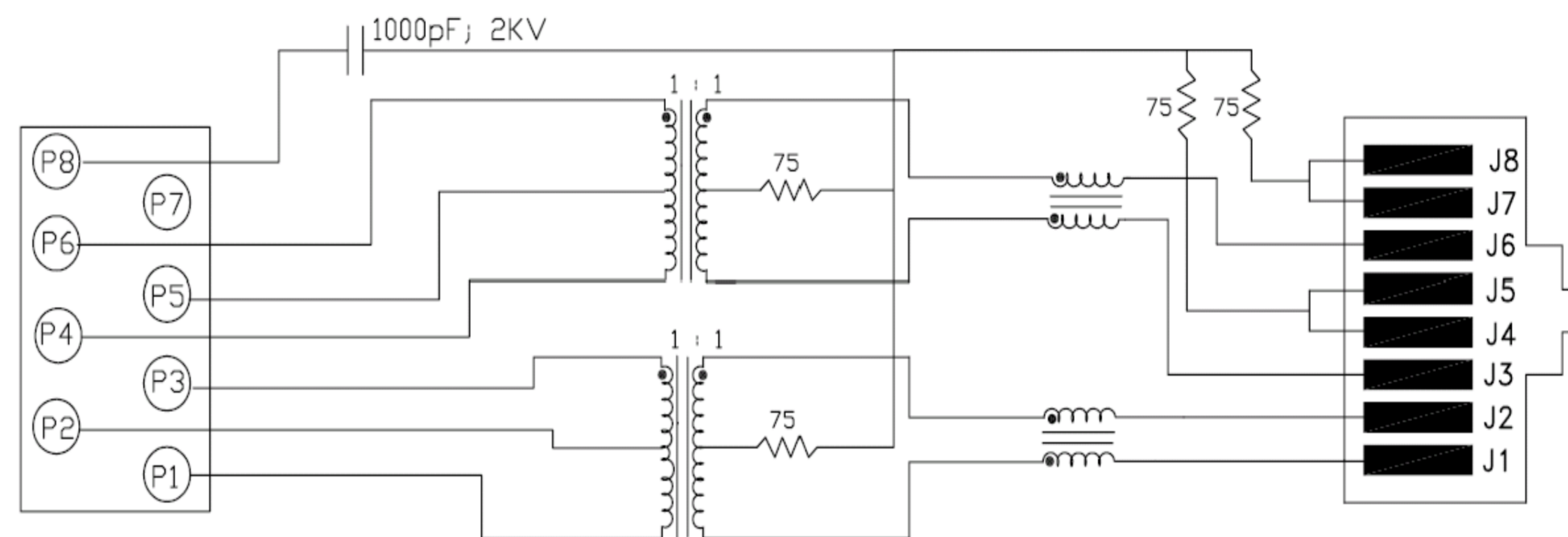
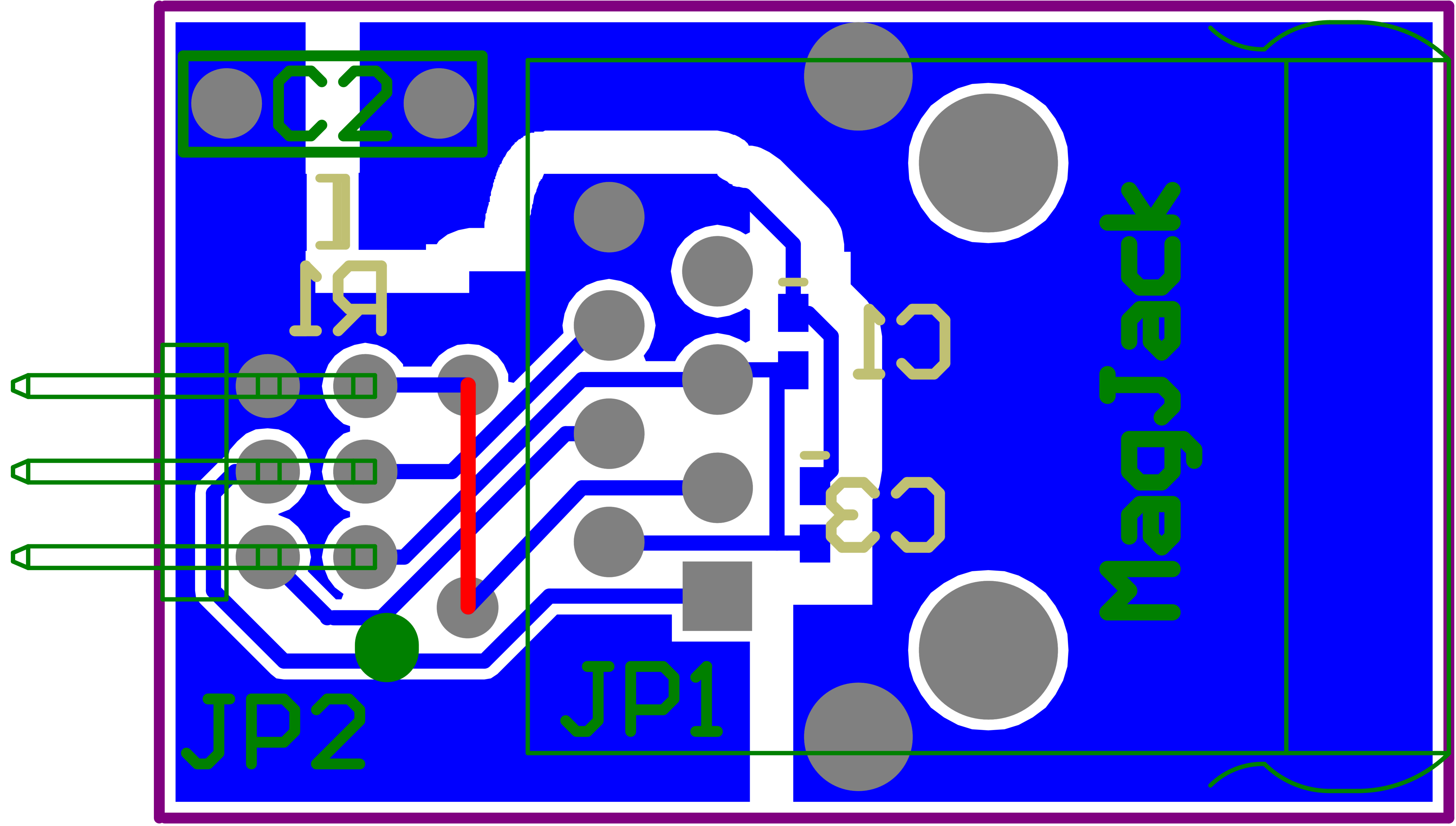
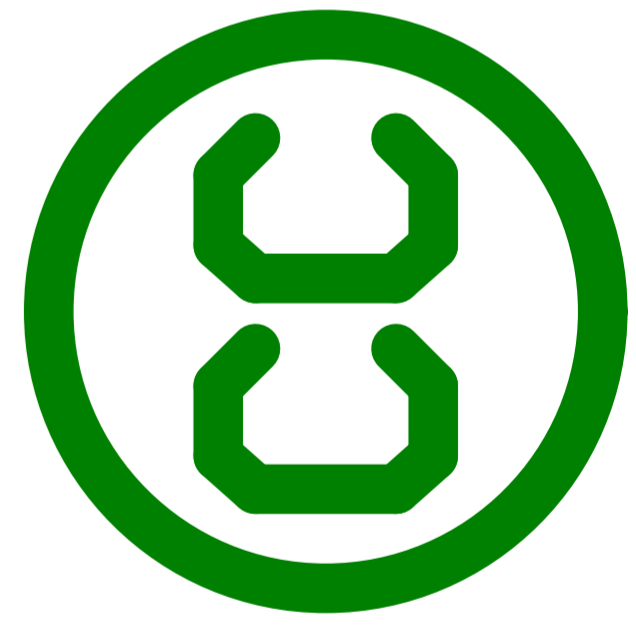


Schematic of the Magjack SI-10021



Title: <b>Ethernet Connector PCB</b>			Berne University of Applied Science School of Engineering and Information Technology Quellgasse 21 CH-2501 Biel
Size: A4_L	Author: zac1	Revision: 1.0	
Date: 23.07.2008	Time: 14:05:54	Sheet 18 of 19	
File: ethernet-connector.SchDoc			



 Licensed  
BY-NC-SA