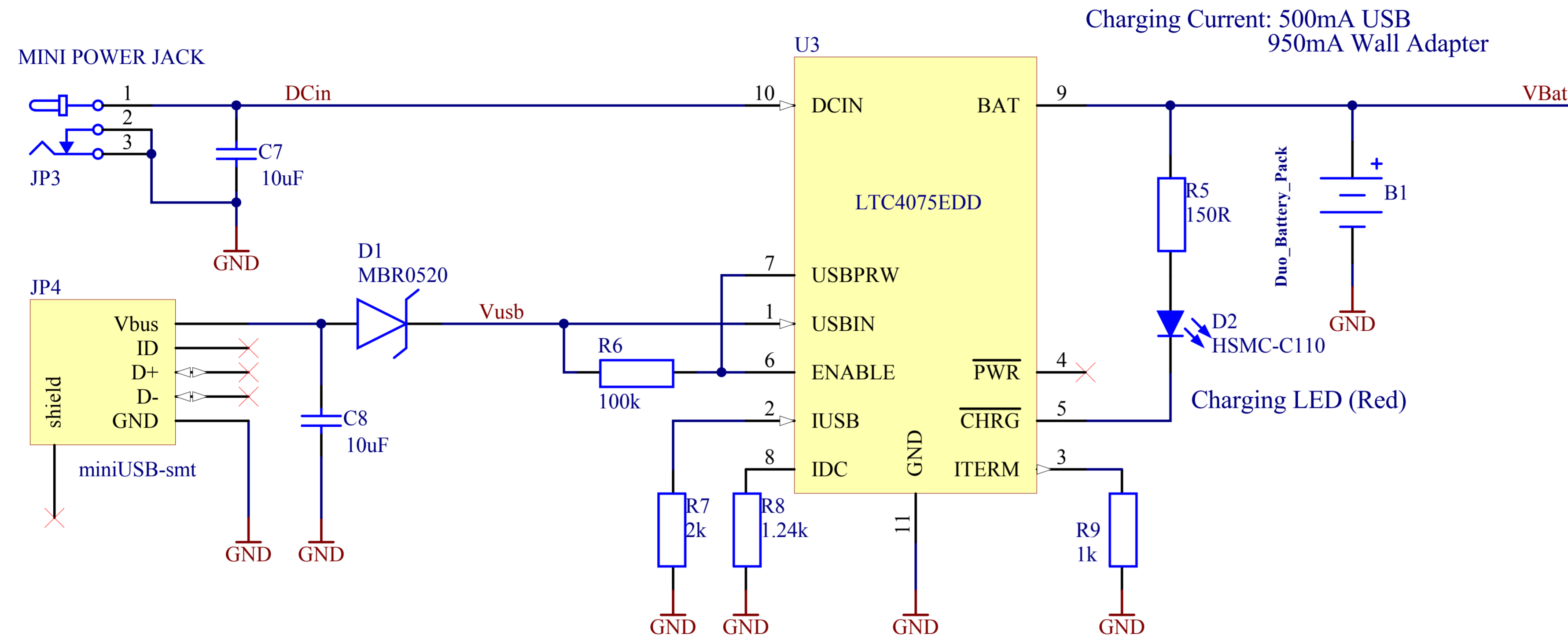
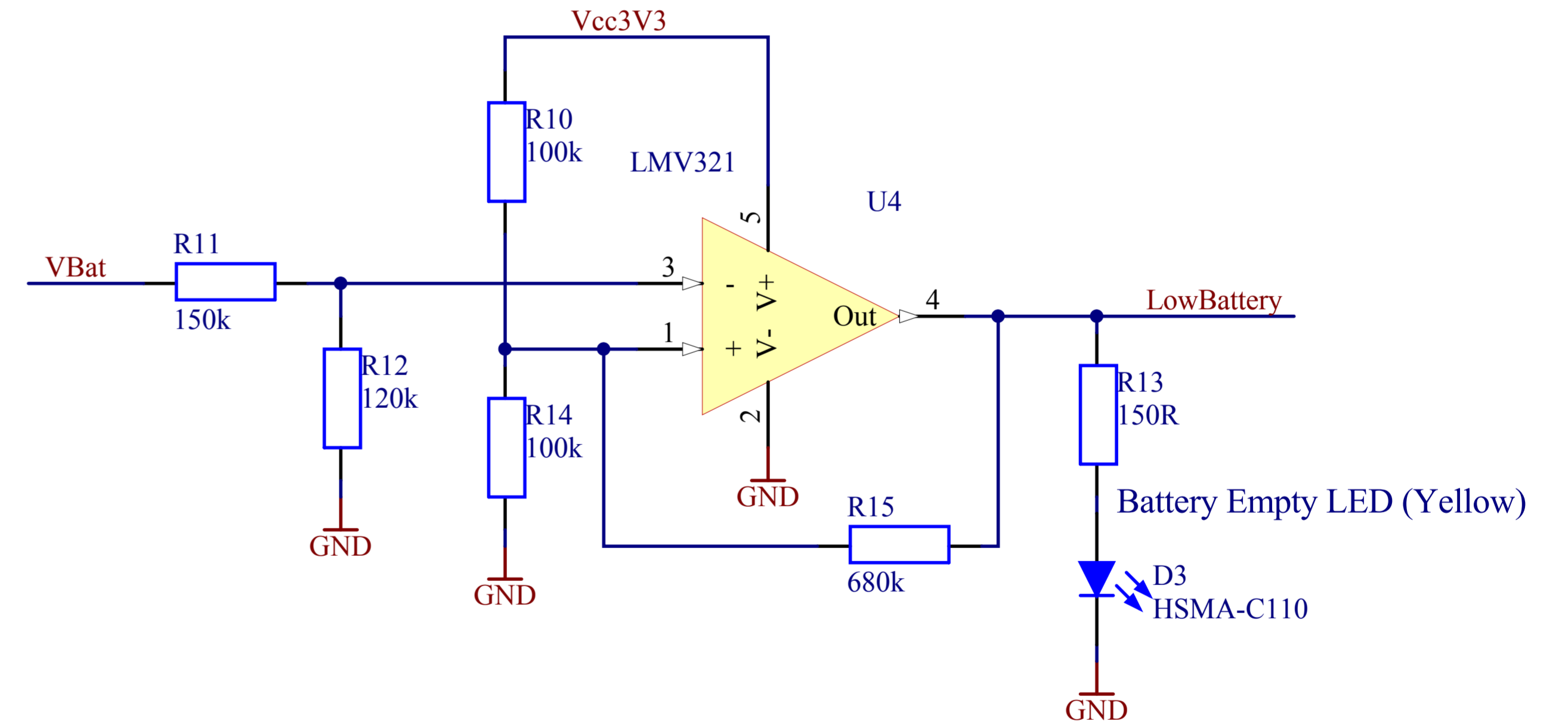


Title: Power Supply Board/ Robot Chassis			Berne University of Applied Sciences School of Engineering and Information Technology Quellgasse 21 CH-2501 Biel
Size: A4_L	Author: mmb1	Revision: 1.0	
Date: 07.07.2008	Time: 18:21:53	Sheet 1 of 6	
File: Gecko3Power.SCHDOC			

Li-Ion Battery and dual Input Charger



Battery Empty Warning



Title: **Battery Charger**

Size: A4_L

Author: zac1

Revision: 1.0

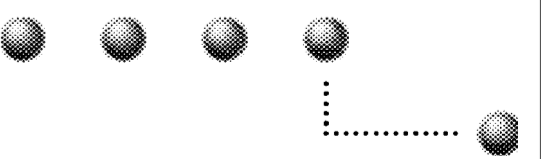
Date: 07.07.2008

Time: 18:21:53

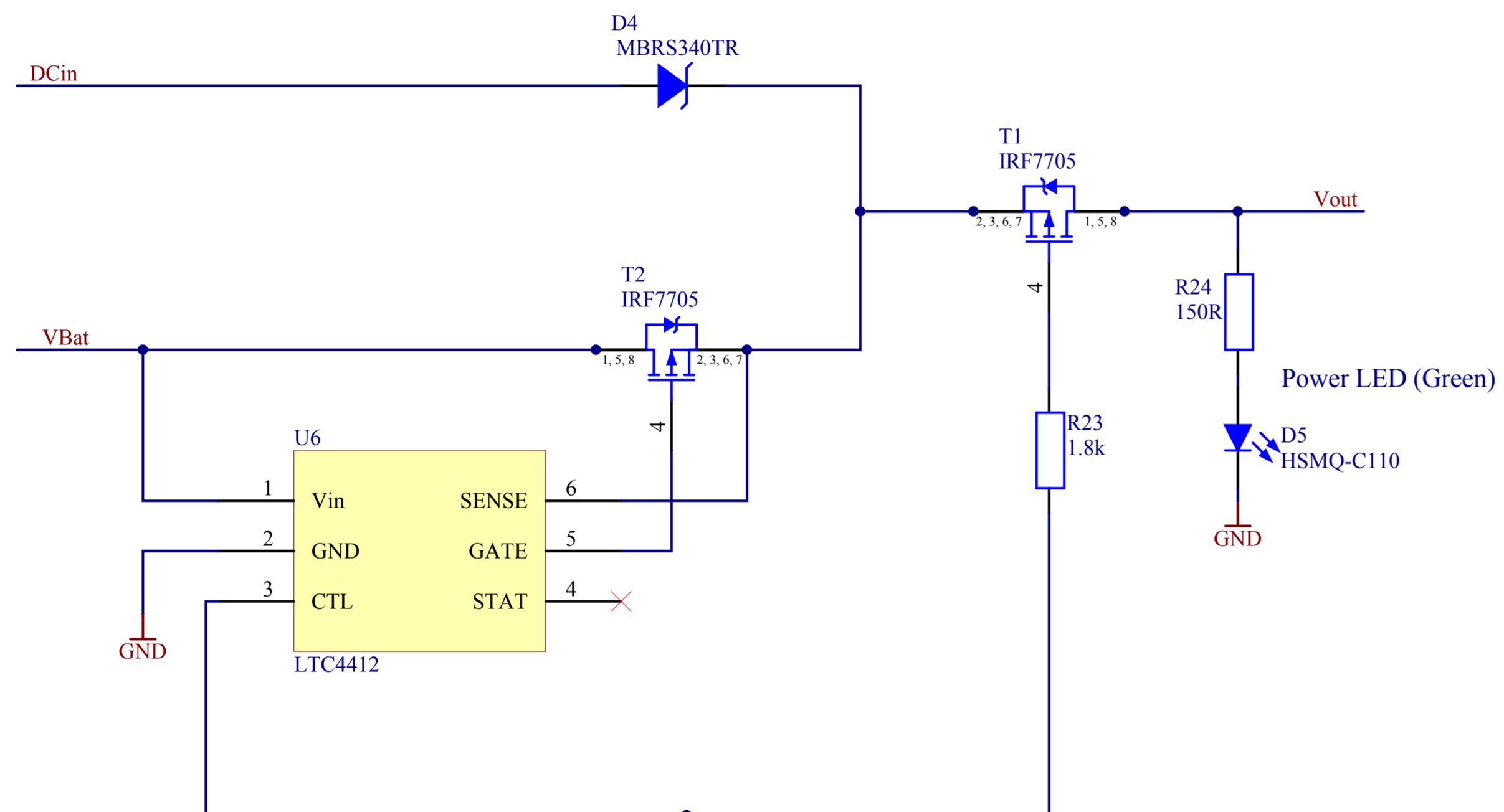
Sheet 2 of 6

File: Battery_Charger.SchDoc

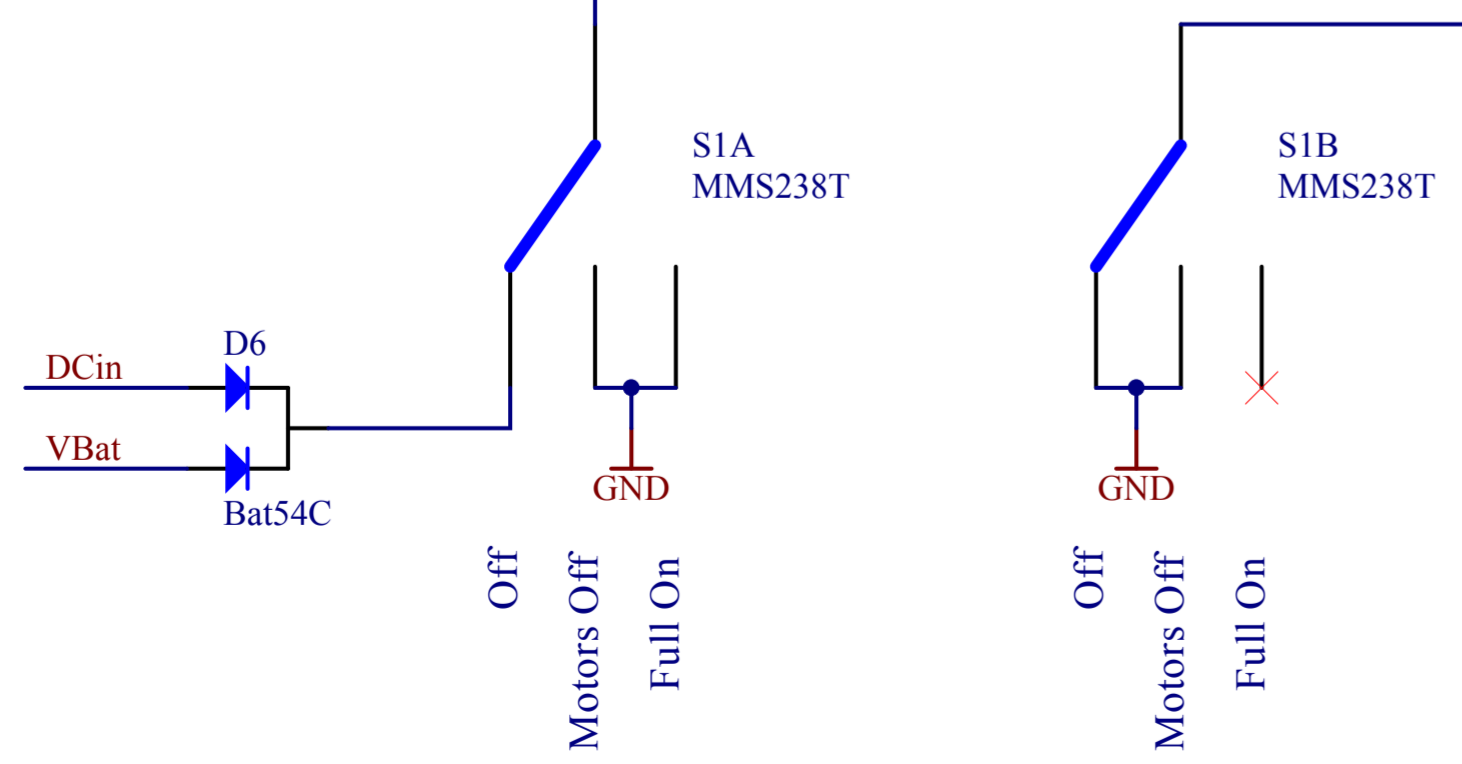
Berne University of Applied Sciences
 School of Engineering and
 Information Technology
 Quellgasse 21
 CH-2501 Biel



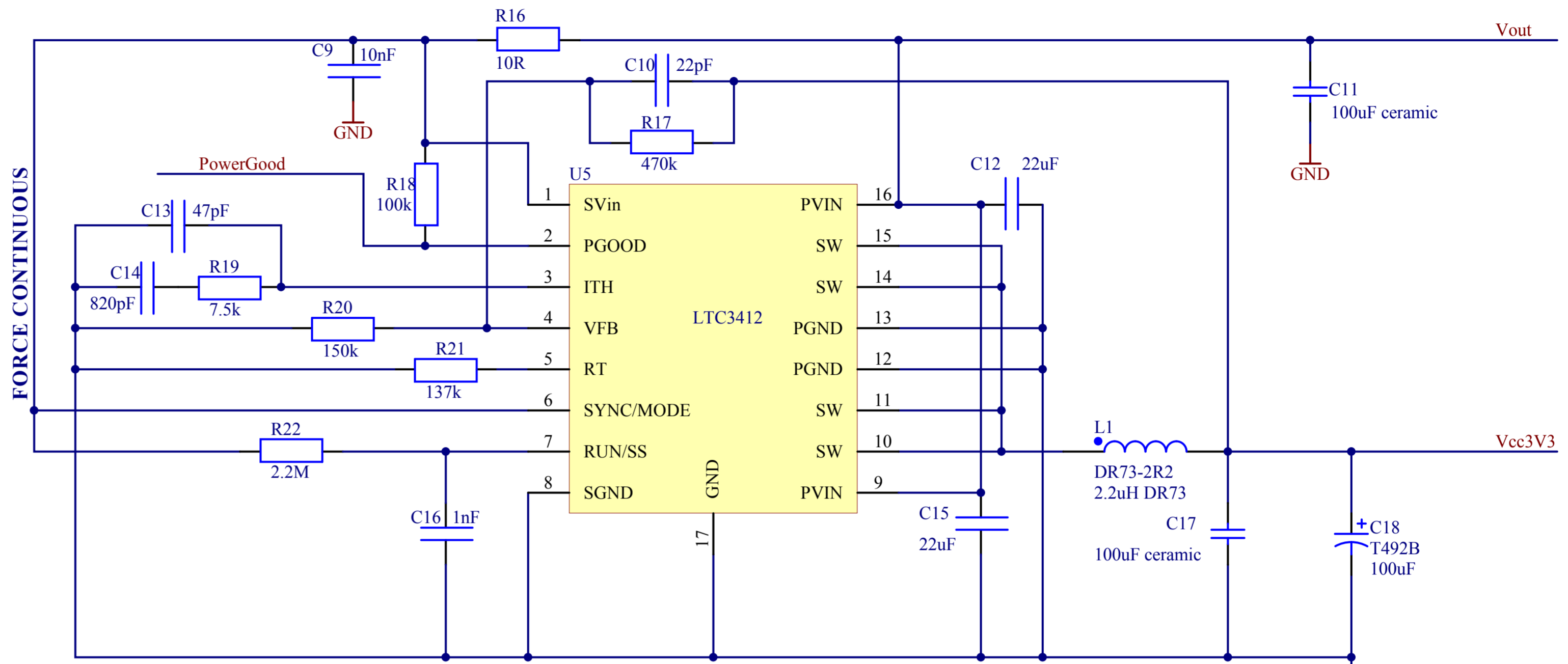
Automatic Switchover Between Battery and DCin



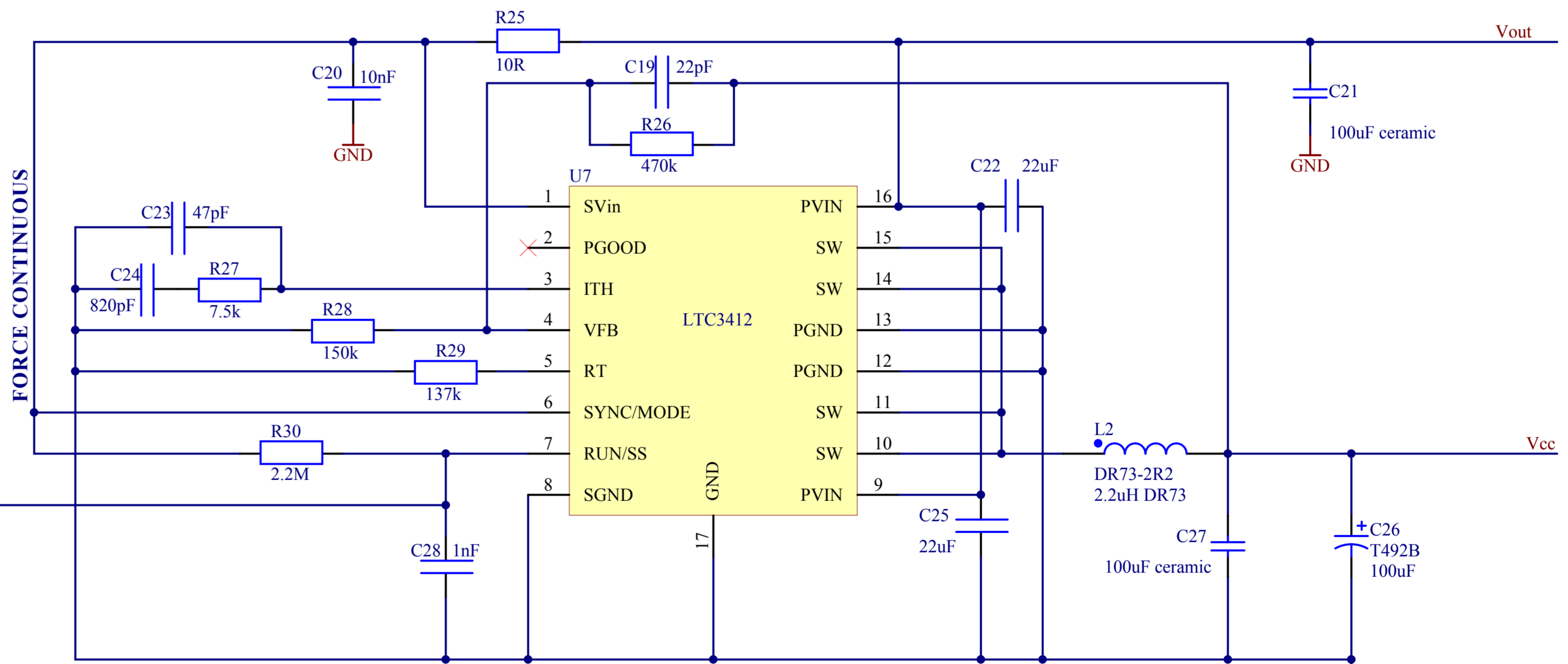
Power Switch



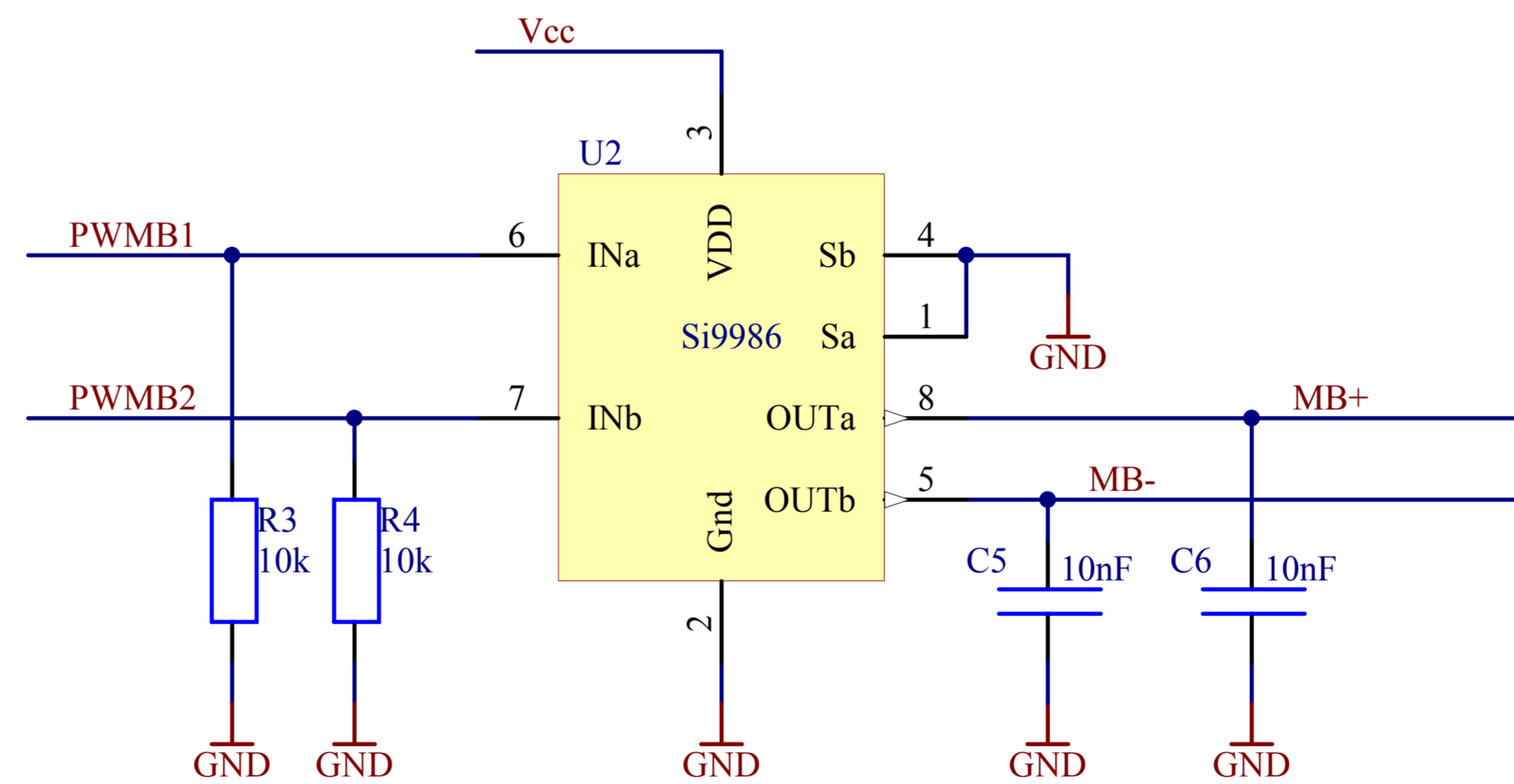
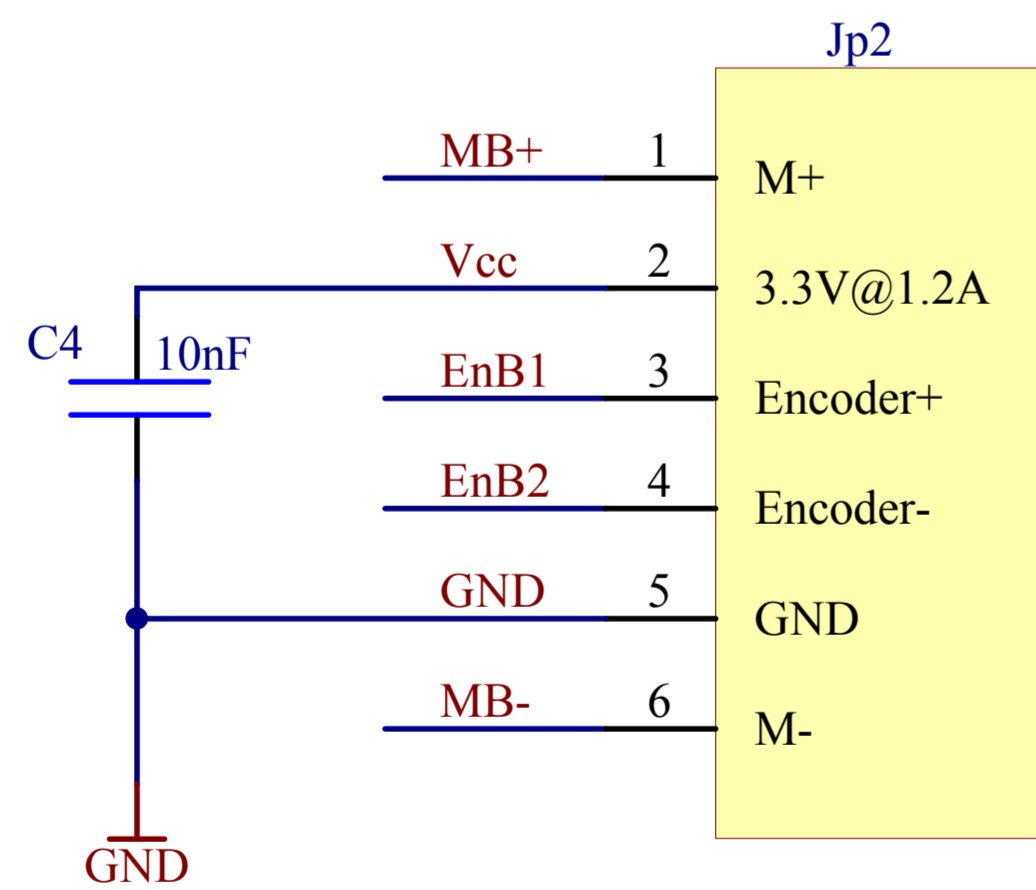
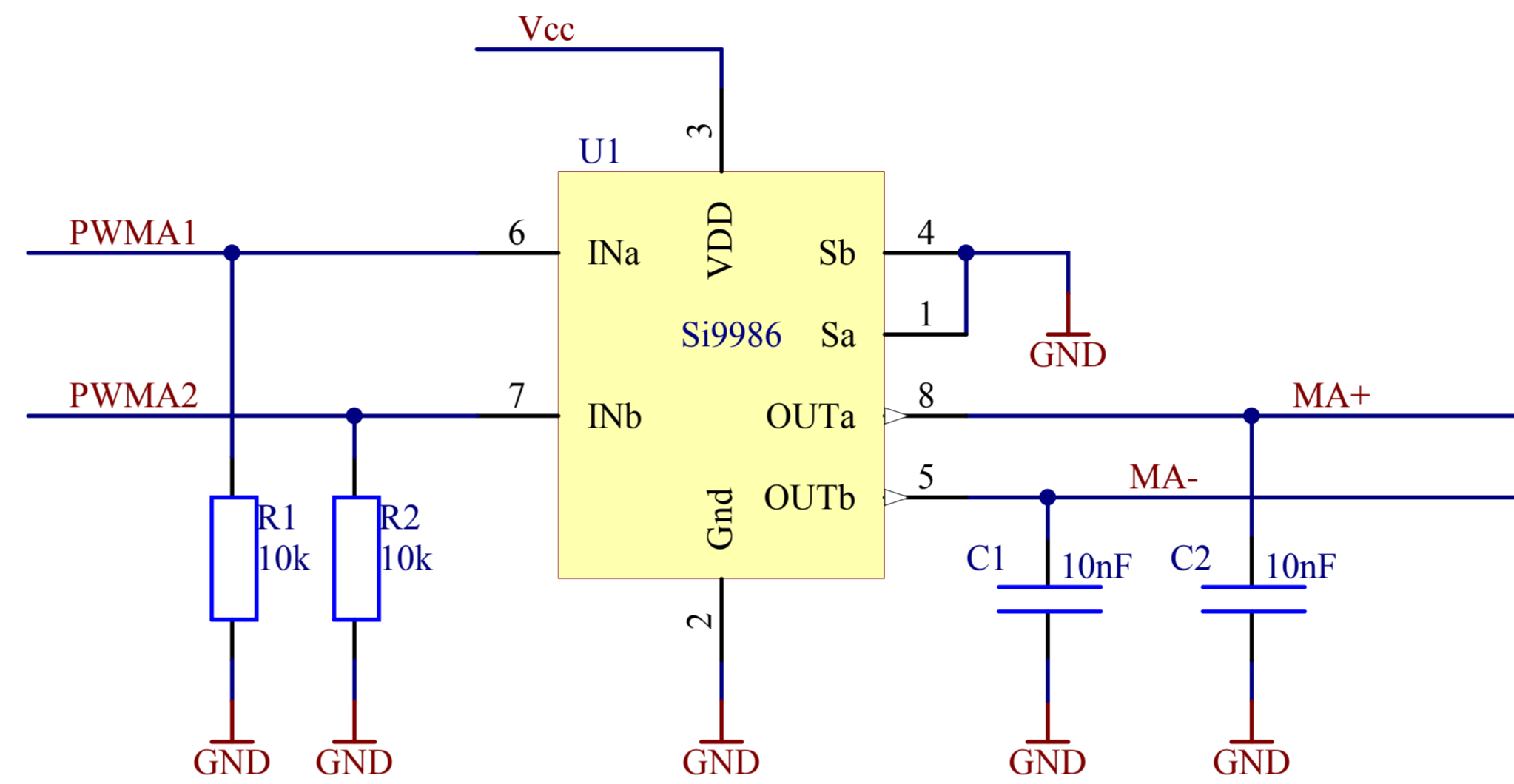
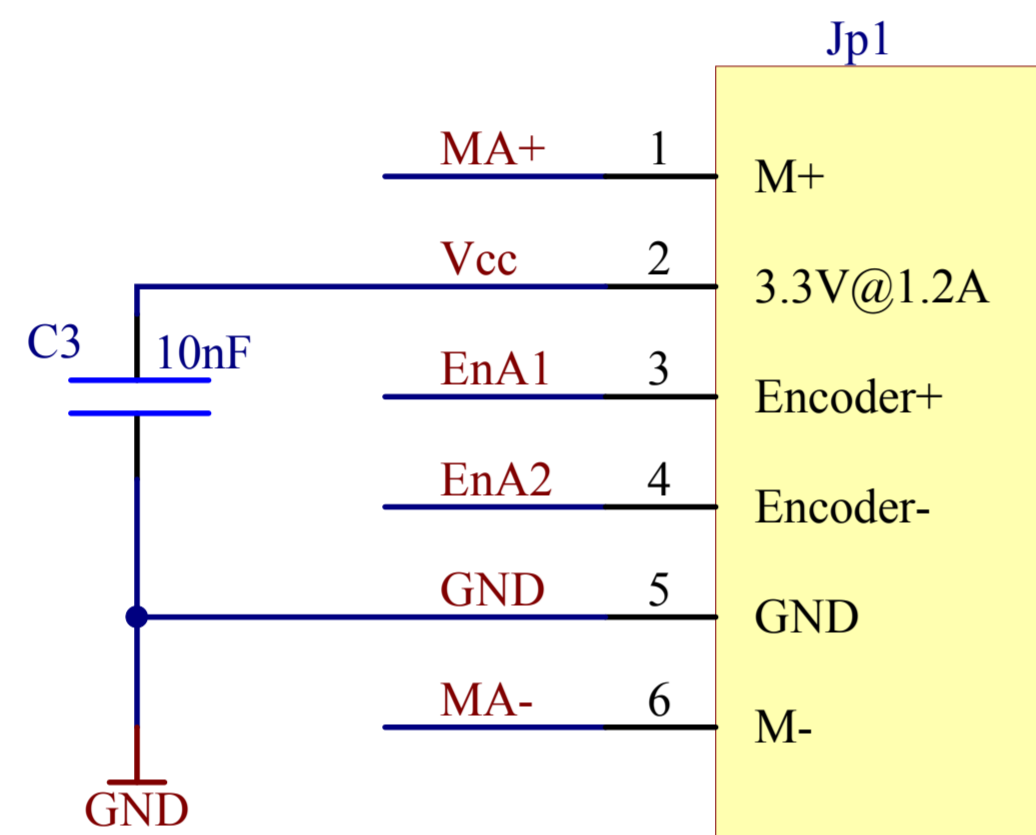
3.3 V DC/DC Converter for external Boards



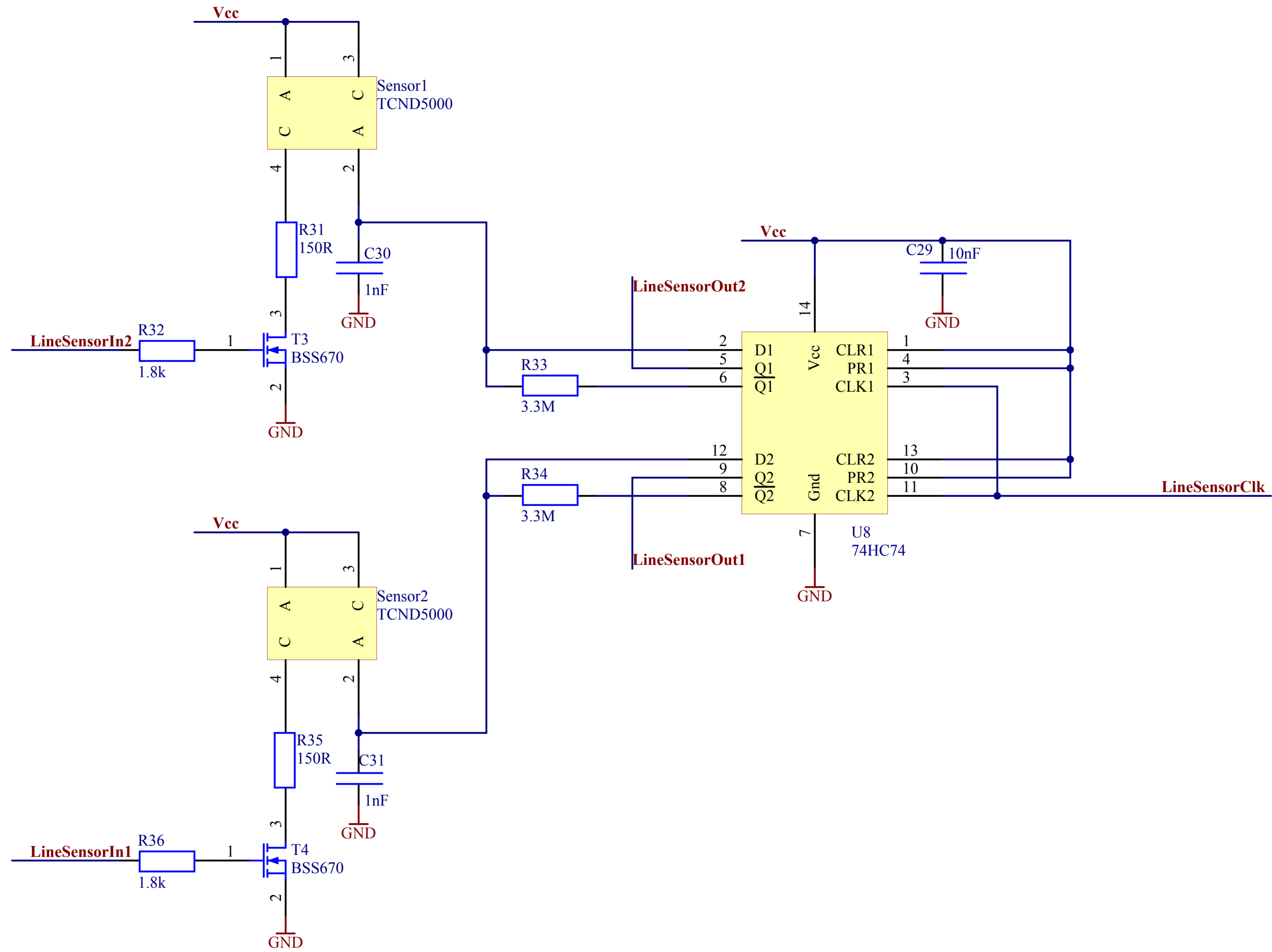
3.3 V DC/DC Converter for internal Systems



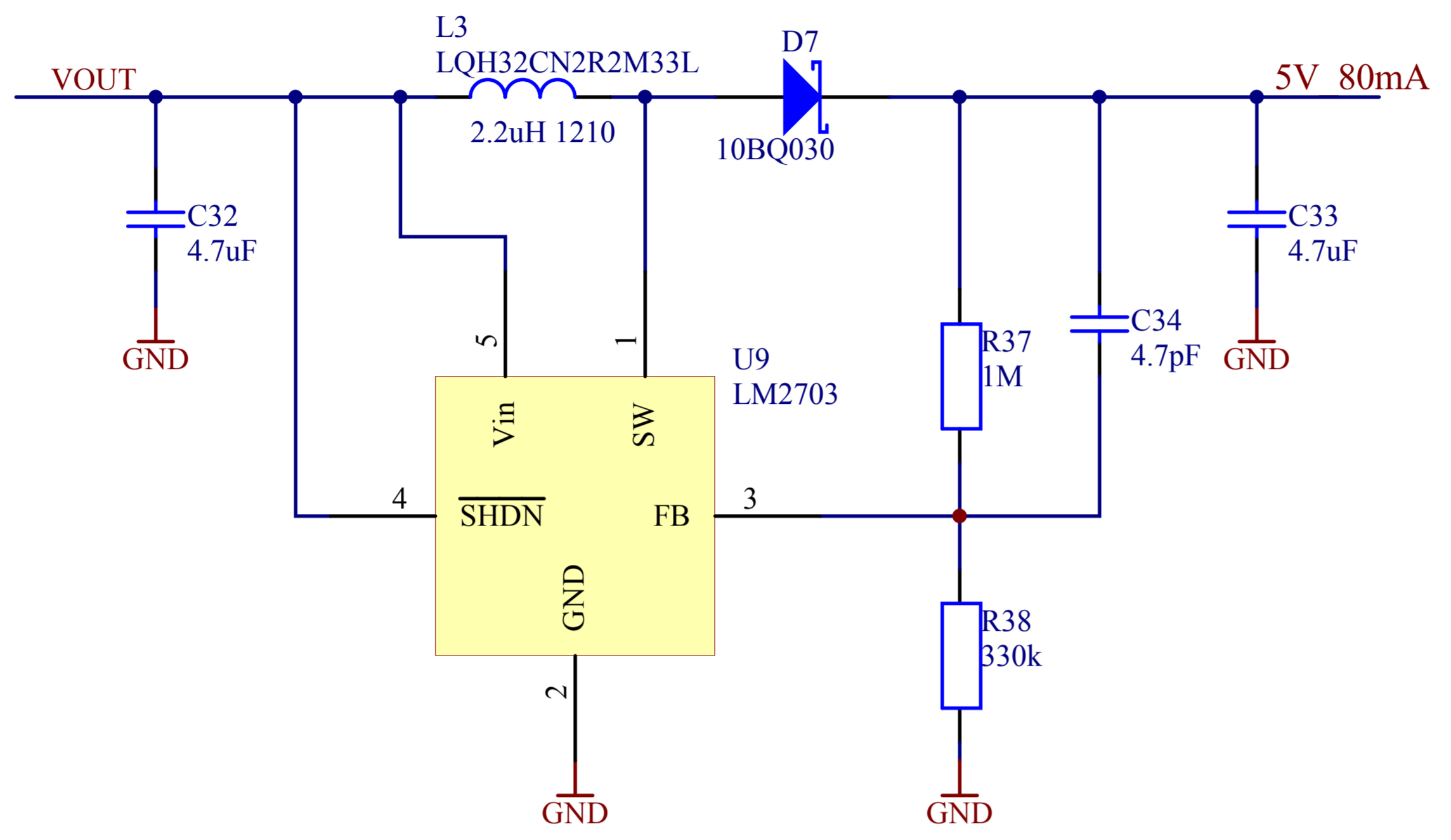
H-Bridge for 2 Motors



Title: H Bridge			Berne University of Applied Sciences School of Engineering and Information Technology Quellgasse 21 CH-2501 Biel
Size: A4_L	Author: mmb1	Revision: 1.0	
Date: 07.07.2008	Time: 18:21:54	Sheet 4 of 6	
File: 2_Wheels_H_Bridge.SchDoc			

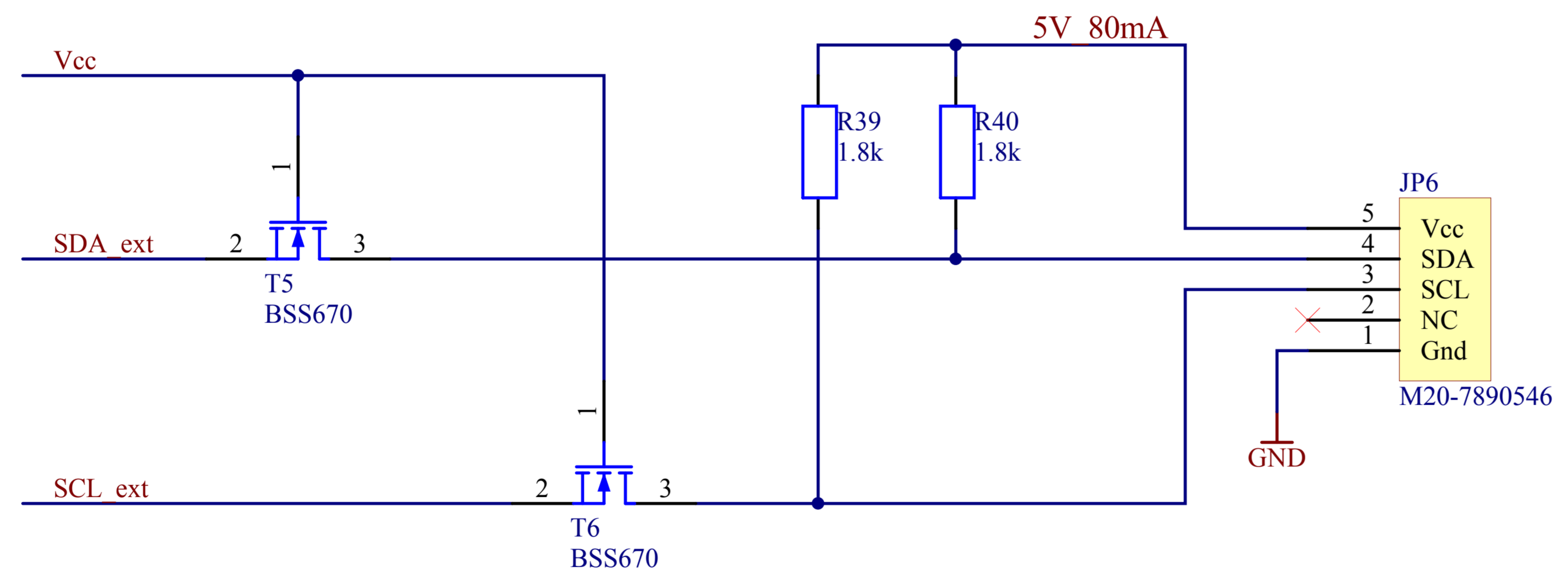
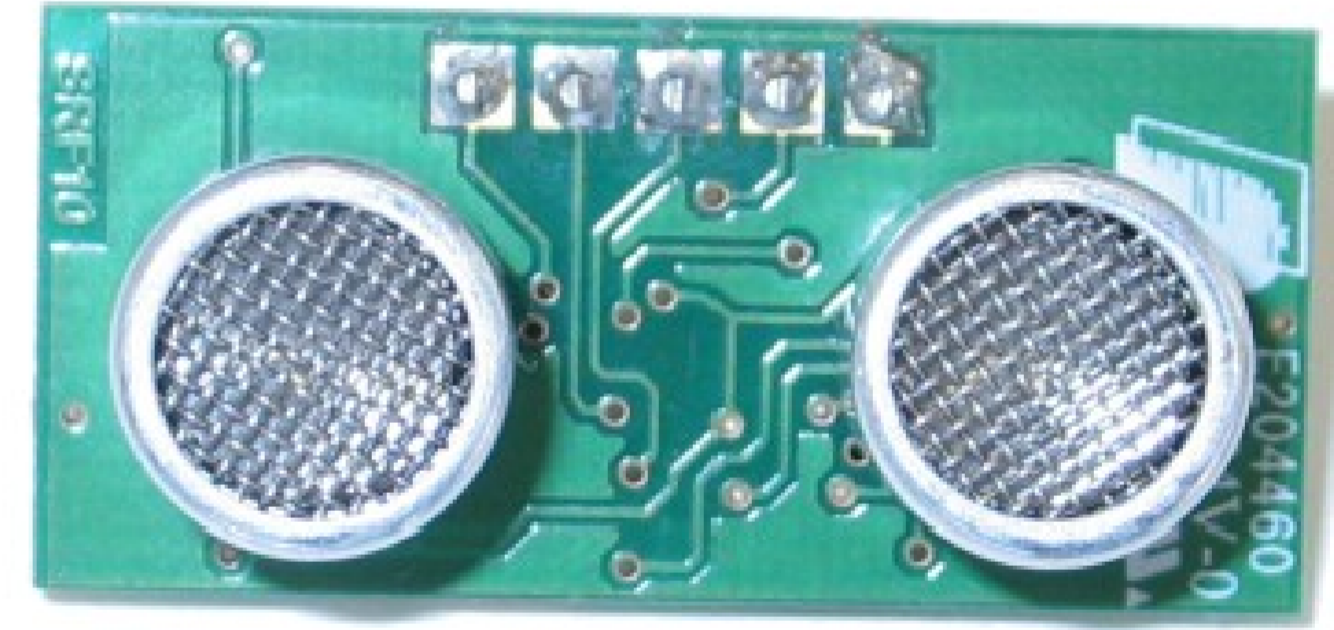


Title: Line Detector Module (Sigma_Delta)		Berne University of Applied Sciences	
Size: A4_L	Author: mmb1	Revision: 1.0	School of Engineering and Information Technology
Date: 07.07.2008	Time: 18:21:54	Sheet 5 of 6	Quellgasse 21
File: Sigma_Delta.SCHDOC			CH-2501 Biel



SRF10 - Ultrasonic Ranger

Voltage: 5v only required
 Current: 15mA Typ. 3mA Standby.
 Frequency: 40KHz
 Range: 6cm: 6m.
 Max Analogue Gain: Variable 40 to 700 in 16 steps.
 Connection: Standard I2C Bus.
 Timing: Fully timed echo, freeing host controller of task.
 Units: Range reported in uS, mm or inches.
 Small Size: 32mm x 15mm x 10mm height.



Title: Ultrasonic Sensor			Berne University of Applied Sciences School of Engineering and Information Technology Quellgasse 21 CH-2501 Biel
Size: A4_L	Author: mmb1	Revision: 1.0	
Date: 07.07.2008	Time: 18:21:54	Sheet 6 of 6	
File: Ultrasonic.SchDoc			

