

M32632 V3 User's Manual

Content

Introduction	3
Files	5
Overview	6
Basic Signals	7
General Purpose Interface	10
DRAM Interface	13
DMA Interface	17
Coprocessor Interface	19
Interface Timing Behaviour.	21
Example System	23
Crossassembler	25

Introduction

The M32632 is an implementation of the Series 32000 architecture of National Semiconductor. It is 100% software compatible to the NS32532 CPU and NS32381 FPU. The implementation is written in Verilog.

The Series 32000 was a 32-bit microprocessor architecture of the 1980's. The basic design concept was CISC : **C**omplex **I**nstruction **S**et **C**omputer. Similar designs at this time were the Motorola 68030 and the Intel 80386.

This user's manual describes the application of the M32632 inside of an FPGA system. If you are interested in details of the Series 32000 architecture, for example the instruction set, please read the datasheets of NS32532 and NS32381.

In an FPGA system the CPU is only one component of many other ones. Therefore it is important that the CPU does not consume too much of the resources of an FPGA. The M32632 requires some 15.400 logic elements, 13 18*18 multipliers and 32 memory blocks of 9 Kbits in a Cyclone IV FPGA from Altera. In a -6 speed grade of the same FPGA the M32632 achieves 50 MHz.

The table on the next page compares some key characteristics of the original NS32532 and the M32632.

Feature	NS32532	M32632
Clock Frequency	30 MHz max.	50 MHz typ.
Basic Instruction Cycle Count	2	1
Data Cache Size	1024 bytes	8192 bytes
Data Cache Associativity	two way	two way
Instruction Cache Size	512 bytes	8192 bytes
Instruction Cache Associativity	direct mapped	two way
TLB Size	64 entries	2 * 256 entries
TLB Associativity	fully associative	direct mapped
FPU	NS32381	integrated

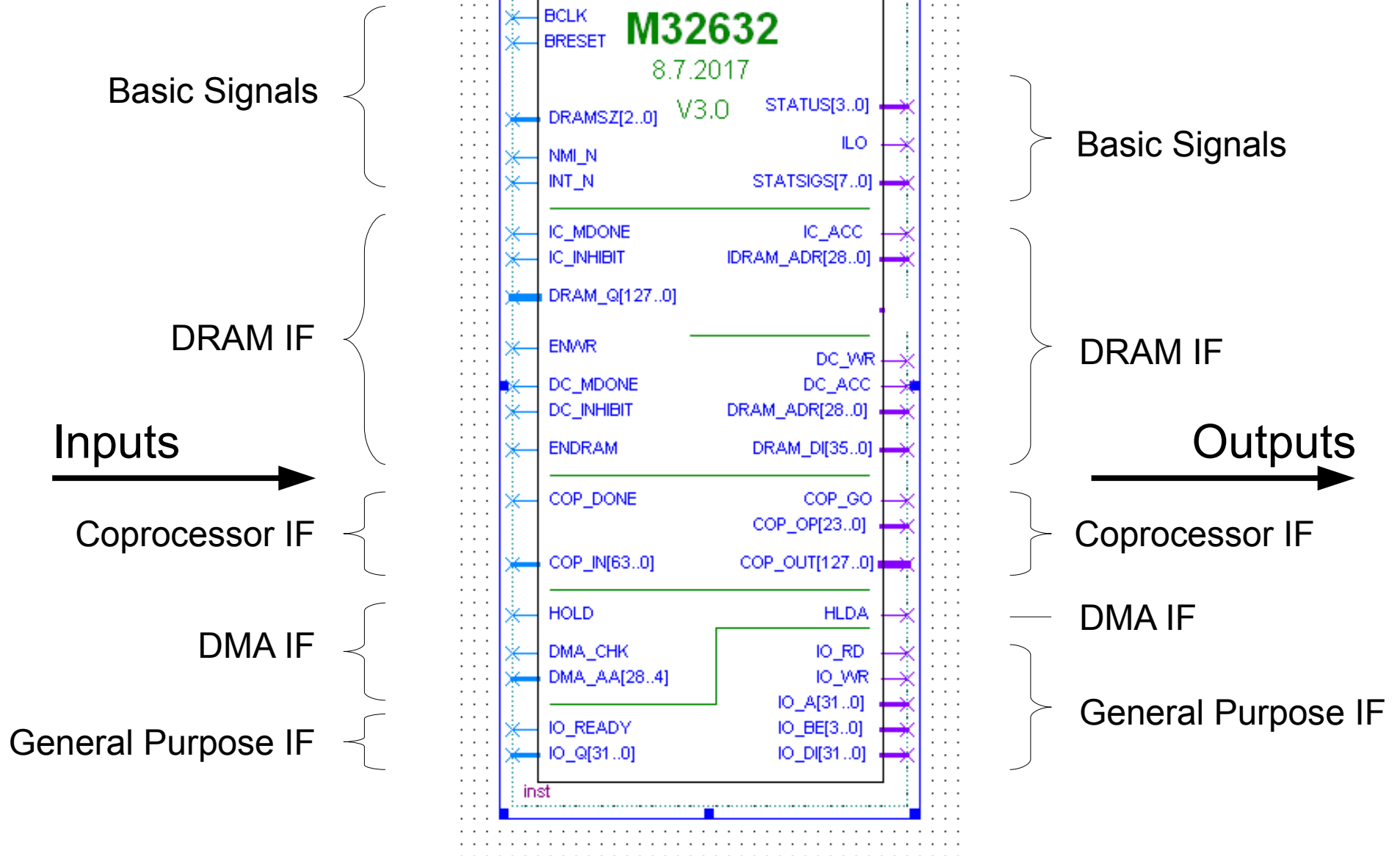
The clock frequency is for cheap FPGAs. High End FPGAs achieve higher clock frequencies. „fully associative“ is better than „two way“ , „two way“ is better than „direct mapped“.

Files

The M32632 design is spread over 16 Verilog files (ending „.v“). It is preferable to put them in one directory. See the list below for file names and their content.

	Top	2.Level	3.Level	Modules	Description
				53 total	
1.	M32632.v			1	Top Level of M32632
2.	.	ICACHE.v		1	Instruction Cache
3.	.	.	ICACHE_SM.v	3	Submodules for Instruction Cache
4.	.	STEUERUNG.v		1	Global Control
5.	.	.	DECODER.v	1	Central Opcode Decoder
6.	.	.	STEUER_MISC.v	5	Submodules for Global Control
7.	.	DATENPFAD.v		1	Data Path
8.	.	.	I_PFAD.v	7	Integer Data Path
9.	.	.	SP_FPU.v	4	Single Precision FP Data Path
10.	.	.	DP_FPU.v	11	Long Operations Data Path
11.	.	.	REGISTERS.v	3	Registers of Series 32000 Architec.
12.	.	.	ADDR_UNIT.v	1	Address Generator Unit
13.	.	DCACHE.v		1	Data Cache
14.	.	.	CACHE_LOGIK.v	9	Submodules for Data & Instr. Cache
15.	.	.	ALIGNER.v	2	Data Aligner
16.	.	TOP_MISC.v		2	Submodules for Top Level

Overview



Basic Signals

Input Signals

BCLK	„Basic Clock“ of the M32632 and the system.
BRESET	„Basic Reset“, active low.
NMI_N	„Nonmaskable Interrupt“, a high-to-low transition of this signal requests a nonmaskable interrupt.
INT_N	„Interrupt“, a low level on this signal requests a maskable interrupt.
DRAMSZ[2:0]	„DRAM Size“, this bus defines the DRAM size:
000	8 MB
001	16 MB
010	32 MB
011	64 MB
100	128 MB
101	256 MB
110	512 MB
111	256 MB for NetBSD + additional 128 MB

Output Signals

ILO „Interlocked Operation“, the operations on the bus are interlocked. This is used by the instructions SBITI and CBITI for multiprocessor synchronization. (If someone will use 2 or more CPUs in one FPGA please inform me!)

STATSIGS[7:0] „Statistic Signals Bus“, these 8 signals are monitoring bus activity of the M32632. They are active high for one clock cycle for one event.

Their meaning is:

- [0] Data access, internal from the data cache and external
- [1] Data access from DRAM
- [2] Data page table entry access
- [3] Data write to DRAM
- [4] Program access, internal from the instruction cache and external
- [5] Program access from DRAM
- [6] Program page table entry access
- [7] Collision detected between data write and instruction cache content

This signals may be connected to counters to watch M32632 activity. On the next page the output of a program using this feature is presented. Please note that every page table entry (PTE) access includes two data memory reads. Therefore the program corrects the number of data memory reads.


```
Collisions : 160
Instruction PTE read : 5600
Instruction memory read : 215312
Instruction read : 144370288
Data write : 30620416
Data PTE read : 20048
Data memory read : 4767520
Data read : 54096000
Data Hit-Rate : 91.19 %
Instruction Hit-Rate : 99.85 %
Elapsed Time : 12.372087 Sek.
```

Statistics of Linpack 100 benchmark on an M32632 system using NetBSD.

Output Signals, contd.

STATUS[3:0] „Status Bus“, this bus presents a status code for the general purpose interface. Encodings are similar to the NS32532 status signals:

0000	idle
0001	idle, the M32632 is executing a WAIT instruction
0100	Interrupt acknowledge cycle
0110	End of interrupt cycle
1000	Program access cycle
1010	Data access cycle

All other codes are currently not used.

General Purpose Interface

The general purpose interface is used for any bus operation until ENDRAM becomes active. This is useful after reset when program execution starts at address 0. The first access goes normally to a boot ROM. Later the boot ROM is accessed at a different location in the address space and the DRAM comes in at address 0. This switch over is controlled outside of the M32632.

This interface has two limitations: it can not load the caches of the M32632 and is not able to serve MMU operations. But this is not a serious drawback since every FPGA system has a DRAM.

Input Signals

- IO_READY „IO Ready“, the current operation (either a read or write) has finished.
This signal is active high. Holding it low will stretch the operation.
- IO_Q[31:0] „IO Data Read Bus“, the 32 bit wide data bus for any read data.

Output Signals

- IO_RD „IO Read“, if active high it requests a read operation.
- IO_WR „IO Write“, if active high it requests a write operation.

Output Signals, contd.

IO_A[31:0] „IO Address Bus“, it contains the 32 bit wide byte address of the data read or written.

IO_BE[3:0] „IO Byte Enable Bus“, if active high the corresponding data has to be written. The encoding is as follows:

IO_BE[0] Byte 0 = IO_D[7:0]

IO_BE[1] Byte 1 = IO_D[15:8]

IO_BE[2] Byte 2 = IO_D[23:16]

IO_BE[3] Byte 3 = IO_D[31:24]

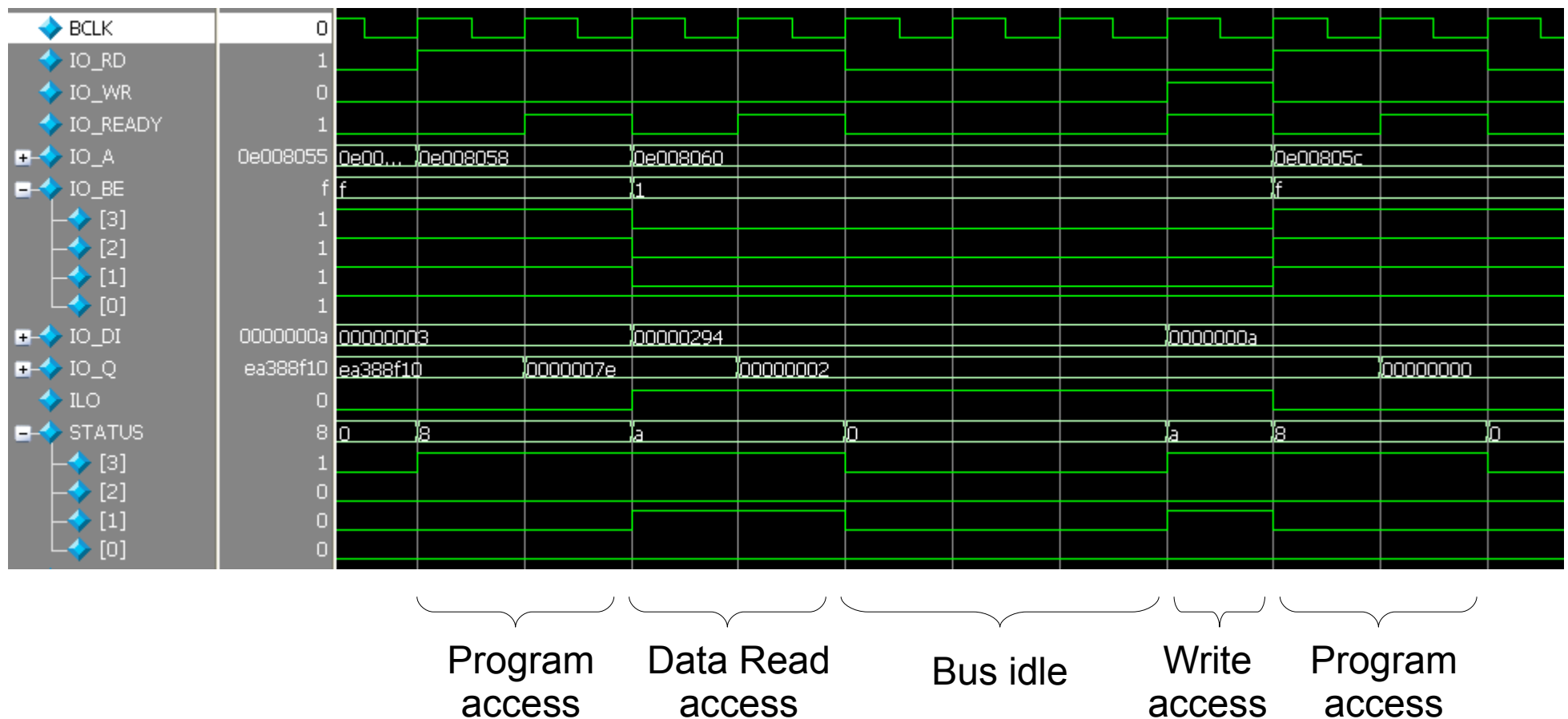
IO_D[31:0] „IO Data Write Bus“, the 32 bit wide bus contains the data to be written.

On the next page a simulation run of multiple bus accesses is shown. The instruction executed is a SBITI which activates the ILO signal. This instruction reads one byte, modifies it (set one bit to „1“) and writes back the modified byte.

IO_BE[3:0] is set according to the byte address and STATUS[3:0] shows what is ongoing on the general purpose interface.

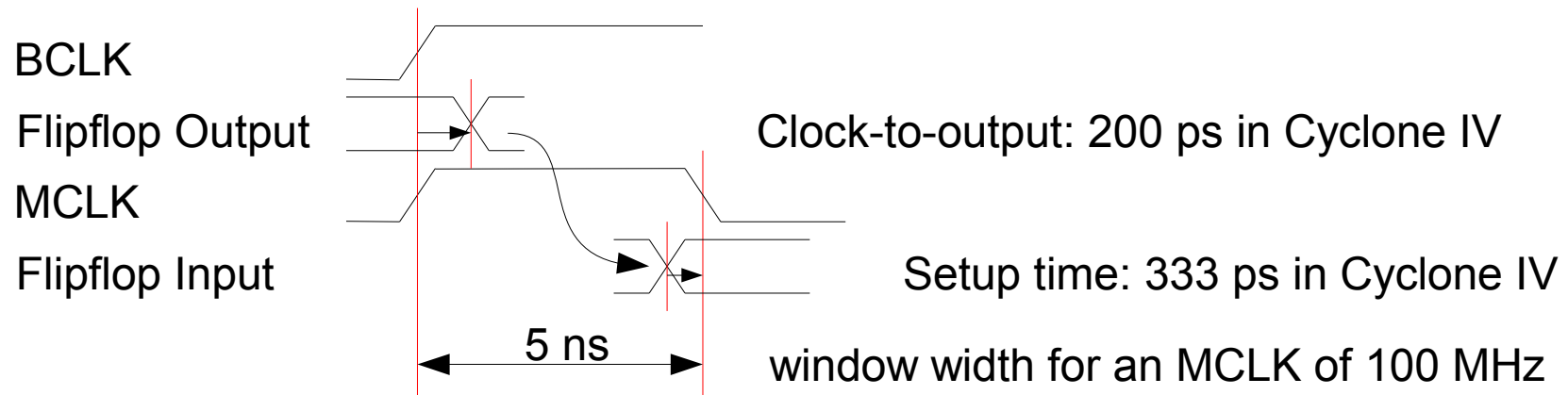
A read access of the general purpose interface can be as short as one clock cycle. But this is not possible if the access is directed to an FPGA memory block. The boot ROM is such a memory block. It needs an extra clock cycle for its internal operation: the address is sent to the memory and on the next rising edge the data is provided to the interface. *As far as I know this is true for all FPGAs of all vendors!*

A write access can always be done in one clock cycle.



DRAM Interface

The M3632 V3 uses only BCLK. Therefore the DRAM interface must align the data to the CPU clock (BCLK). On the output side the signals from the CPU have to be synchronized to the clock of the DRAM interface (MCLK). It is preferable to use an integer multiple of the CPU clock for the memory clock (MCLK). The current implementation of TRIPUTER uses a 50 Mhz BCLK and a 100 Mhz MCLK. The clocks are phase aligned by a PLL: rising edge of BCLK matches rising edge of MCLK. Any output signal of the M32632 for the DRAM interface should be synchronized to the falling edge of MCLK inside the DRAM controller first. See the figure:



Using the rising edge of MCLK is unreliable because of clock jitter!

The write behaviour of the data cache of the M32632 is „write through“. This means that every write data is instantly written to the DRAM. Another method would be „write back“. Only the cache is updated but the external memory is updated later. The advantage of this method (little more performance) is not worth the additional effort (DRAM data not current when DMA occurs).

The new feature of the M32632 V3 is the DRAM read data port having a width of 128 bits. This is a full cache line. No special care is required to deliver the word which the CPU needs most like in previous designs. The disadvantage is that slower DRAMs need more time to read or write 128 bits:

DE0-nano, Cyclone IV, DRAM 100 Mhz, 16 bit, SDR : 4 CPU clocks

Starter Kit, Cyclone V, DRAM 100 Mhz, 32 bit, DDR : 1 CPU clock (!)

Please note: the number of clocks is only the transfer time, not the total access time! But in future there will be more of the fast systems.

Input Signals

- ENDRAM „Enable DRAM“, if this signal is active high the DRAM can be accessed.
- DC_MDONE „Data Cache Memory Read Done“, if active high the data on DRAM_Q is valid.
- DC_INHIBIT „Data Cache Inhibit“, if active high access is not cacheable.
- ENWR „Enable Write“, active high, goes low if the DRAM interface cannot accept another write request. The M32632 ignores this signal if a write targets the same cache line as the last write.
- IC_MDONE „Instruction Cache Memory Read Done“, if active high the data on DRAM_Q is valid.
- IC_INHIBIT „Instruction Cache Inhibit“, if active high access is not cacheable.
- DRAM_Q[127:0] „DRAM Data Out Bus“, all bits must be valid.

Output Signals

DC_ACC	„Data Cache Access“, if active high the data cache is requesting read data.
DC_WR	„Data Cache Write“, if active high the data cache is requesting a write operation.
DRAM_ADR[27:0]	„Data Cache Address Bus“, used for read and write access: [0] don't care [1] if this signal is active low the access is not cacheable, set DC_INHIBIT to active high. [3:2] first Dword to read (not used)
DRAM_DI[35:0]	„DRAM Data In Bus“, the write data to the DRAM: [31:0] Data [35:32] Byte Enable, [35]=[31:24],[34]=[23:16],[33]=[15:8],[32]=[7:0]
IC_ACC	„Instruction Cache Access“, if active high the instruction cache is requesting read data.
IDRAM_ADR[27:0]	„Instruction Cache Address Bus“, used only for read access: [0] don't care [1] if this signal is active low the access is not cacheable, set IC_INHIBIT to active high. [3:2] first Dword to read (not used)

DMA Interface

The NS32532 is able to continue its internal operations even if a HOLD request is ongoing. The M32632 does not have this feature. If HOLD becomes active, it stops internal operations and signals its hold status via HLDA to a DMA controller.

The reason for this behaviour is the large cache. It is not acceptable to invalidate the whole cache when a DMA request modifies the DRAM content (therefore a DMA read from DRAM is not critical). This invalidation has to be done in the NS32532 by software via the CINV instruction. However this instruction is not optimal. It can only invalidate a cache line (16 byte) or the whole cache. The M32632 uses the same behaviour for CINV. In addition it implements a cache snoop function in hardware to realize cache coherency.

Input Signals

HOLD „Hold“, if this signal is active low it request bus free for another agent.

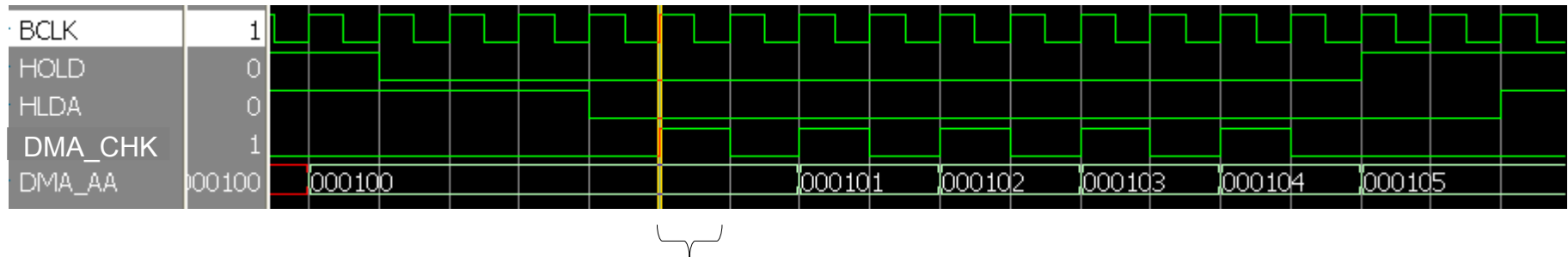
DMA_CHK „DMA Check“, if this signal is active high an invalidate request for the cache line address on DMA_AA is executed.

DMA_AA[27:4] „DMA Address Bus“, address to be checked by the caches.

Output Signals

HLDA „Hold Acknowledge“, this signal is active low when the M32632 has stopped any activity.

The signal `DMA_CHK` can be active every clock cycle. `DMA_AA` must be valid during `DMA_CHK`. The figure below shows a simulation run with five invalidate requests at high speed.



one invalidate request

Coprocessor Interface

The coprocessor capability of the Series 32000 is used by National Semiconductor itself. The NS32381 FPU is an external coprocessor. Therefore instructions using this coprocessor have a lot of communication overhead. In contrast the M32632 has the floating point unit integrated and avoids the communication overhead. The result is much faster operation.

Nevertheless it is useful to add the external coprocessor capability also to the M32632. It provides an easy way to expand the functionality of the CPU. Not everybody will like the idea of manipulating the core itself.

The M32632 V3.0 is able to execute the CCV0, CCAL0, CCAL1, CCAL2, CCAL3, CMOV0, CMOV1 and CMOV2 custom instructions.

Input Signals

COP_DONE „Coprocessor Done“, if this signal is active high for one clock cycle it signals the completion of the requested operation.

COP_IN[63:0] „Coprocessor Data Input Bus“, this bus is connected to the data output port of the coprocessor. A quad word is transferred over bits [63:0], a double word over bits [63:32], a word over bits [47:32] and a byte over bits [39:32].

Output Signals

COP_GO „Coprocessor Go“, if this signal is active high the coprocessor starts the requested operation.

COP_OP[23:0] „Coprocessor Opcode Bus“, this bus contains the three opcode bytes. Please look at the datasheet of the NS32532 for details of the instruction formats.

COP_OUT[127:0] „Coprocessor Data Output Bus“, this bus is connected to the data input port of the coprocessor. It can hold two 64 bit quad word operands and is static throughout the coprocessor operation.

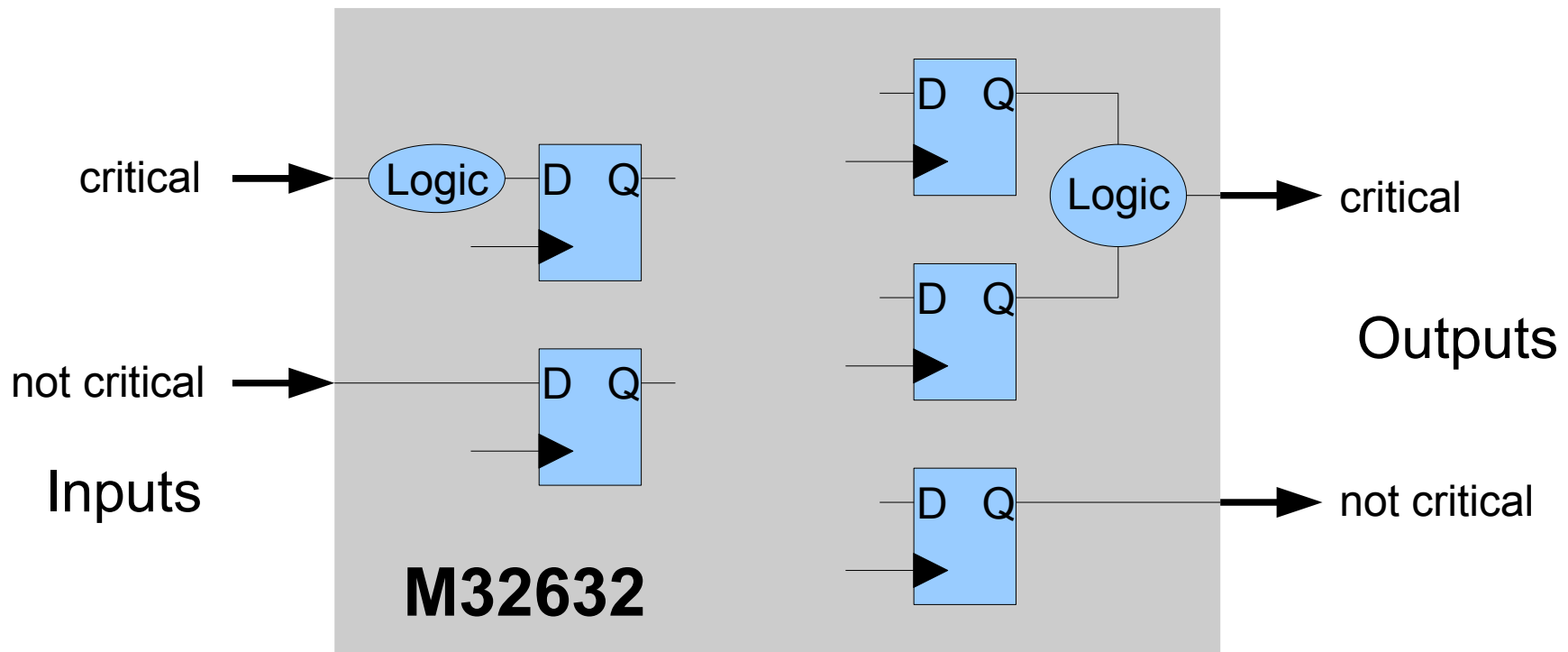
The location of data depends on the operation:

Bits	127 . . . 96-95 64-63 32-31 0
One Double Word	XxXxXxXx _B3B2B1B0 _ XxXxXxXx _ XxXxXxXx
One Quad Word	XxXxXxXx _B7B6B5B4 _ XxXxXxXx _B3B2B1B0
Two Double Words	XxXxXxXx _B3B2B1B0 _ XxXxXxXx _b3b2b1b0
Two Quad Words	B7B6B5B4 _B3B2B1B0 _ b7b6b5b4 _b3b2b1b0

Bi = first operand, bi = second operand, Bi/bi = byte i

Interface Timing Behaviour

The timing of an input signal is not critical if it feeds directly the data input of a flipflop. The timing of an output signal is not critical if it comes directly from the output of a flipflop. This chapter describes the timing characteristic of each input and output signal.



Input Signals

Not relevant: BCLK, MCLK, DRAMSZ (only if static value otherwise strongly critical)

Not critical: BRESET, NMI_N, INT_N, IO_READY, IO_Q[31:0], HOLD

Weakly critical, should be driven by output of flipflop:

IC_MDONE, DC_MDONE, ENWR, ENDRAM, DMA_CHK,
DMA_AA[27:2]

Strongly critical, must be driven by output of flipflop:

IC_INHIBIT, DC_INHIBIT, DRAM_Q[127:0], COP_DONE,
COP_IN[63:0]

Output Signals

Not critical: STATSIGS[7:0], IC_ACC, IDRAM_ADR[27:0], DC_WR, DC_ACC,
DRAM_ADR[27:0], DRAM_DI[35:0], IO_RD, IO_WR, IO_A[31:0],
IO_BE[3:0], IO_DI[31:0], COP_GO, COP_OP[23:0]

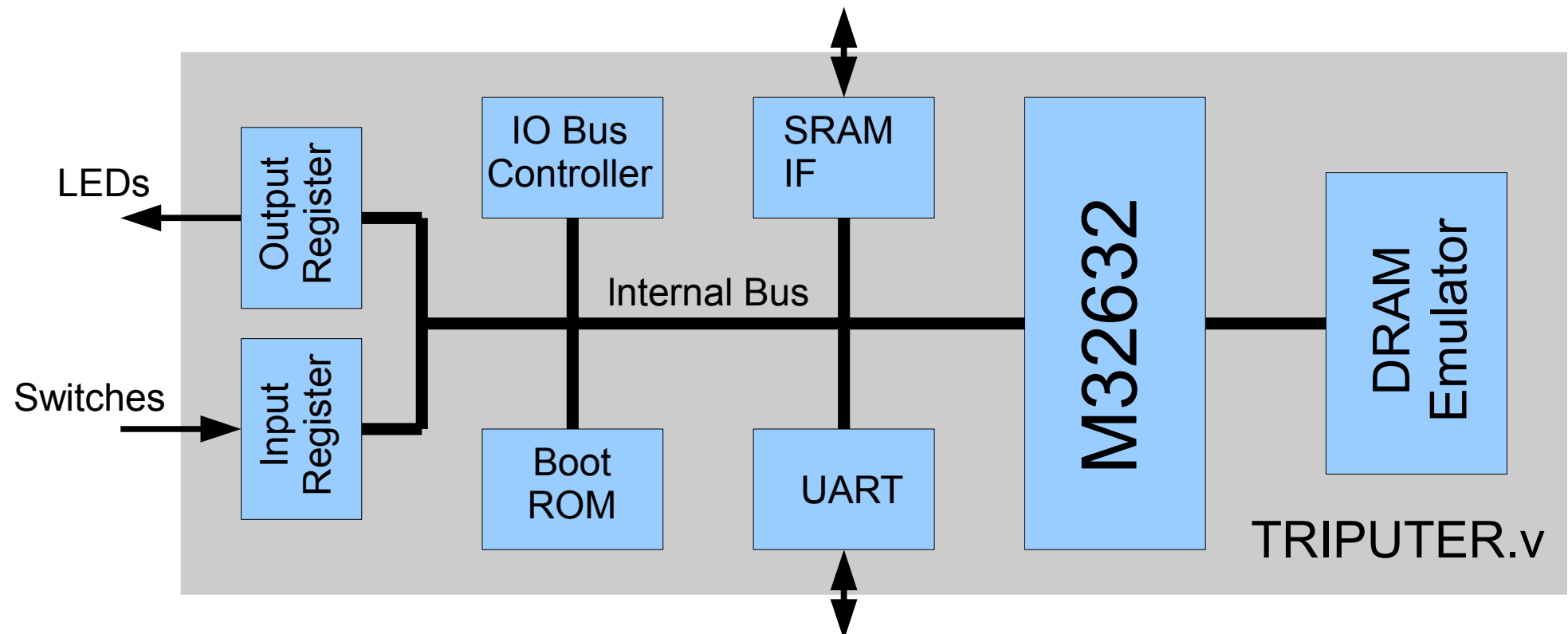
Weakly critical, should not feed deep logic trees:

STATUS[3:0], ILO, HLDA, COP_OUT[127:0]

Example System

An example system using the M32632 is available for starters. It allows simulation, synthesis and can be used to configure a real system. Most users will start with a development system for FPGAs. The example system can be used directly for the Cyclone V GX Starter Kit from Terasic.

The figure below shows the block diagram of the example system.



The following files are used for the example system:

1. TRIPUTER.v the modules for synthesis containing the M32632
2. TRIPUTER_simu.v the test bench for simulating the example system
3. TRIPUTER.sdc the timing requirements file

The file TRIPUTER.sdc defines the timing for the example system. The most important definition is for the clock cycle time. Current setting for the clock signal is 20 ns with the falling edge at 10 ns. This setting should be pass for every modern FPGA. The file TRIPUTER.qsf is used by Altera's Quartus software to setup a project.

Each system using the M32632 contains at least two other functional blocks: the IO bus controller and the boot ROM. The „IO Bus Controller“ does the following:

1. selects different locations for writing based on their addresses
2. multiplexes the incoming data busses for the M32632
Please note : there is no tri-state bus inside a FPGA!
3. manages the switch over between boot ROM and DRAM
4. generates IO_READY and a clean reset

A boot ROM is a memory which stores the first instructions after reset for a CPU.

For more information about the example system please read the user manual TRIPUTER_V01.pdf .

Crossassembler

The crossassembler „ans32k“ is used on a Windows PC to generate assembler programs for the M32632. The output can be used in simulation, configuration and in real systems. The syntax is similar to other assembly languages. Another way of generating programs is to use the gnu tool chain. It provides crossassembling and crosscompiling. But you have to use old versions of gnu which still support Series 32000! „ans32k“ is used in a command shell:

```
C:\ ... \ans32k filename <outfile> <-list> <-code> <-mif> <-bin> <-n>
```

Arguments and options (<...>) are:

- | | |
|-----------|---|
| filename | the name of the input file. |
| <outfile> | other name for the output file, must be the 2. argument. Default is „boot_rom.txt“, for -mif it is „bootcode.mif“ and for -bin it is „code.bin“ . |
| <-list> | this option generates a list file containing the address of each instruction. The name of the file is „filename.LST“. |
| <-code> | this option adds the binary code of the instruction to the list file. |
| <-mif> | change the output format to Altera mif format instead of simple hex. |
| <-bin> | Output format is binary. Used for real systems. -n is not used. |
| <-n> | size of the target ROM, valid values for n are 1,2,4 and 8 kBytes. Default is 1 kBytes. Datawidth is always 32 bit. |