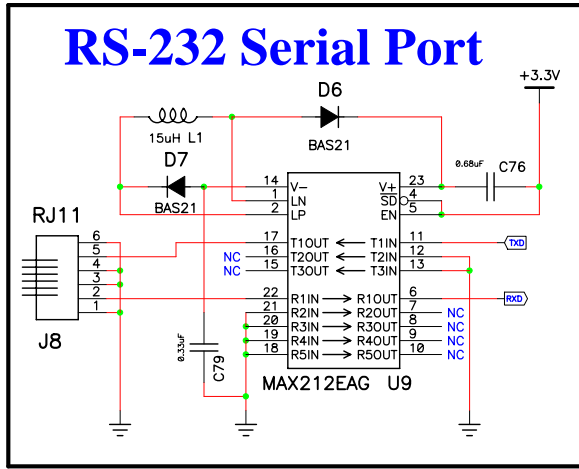
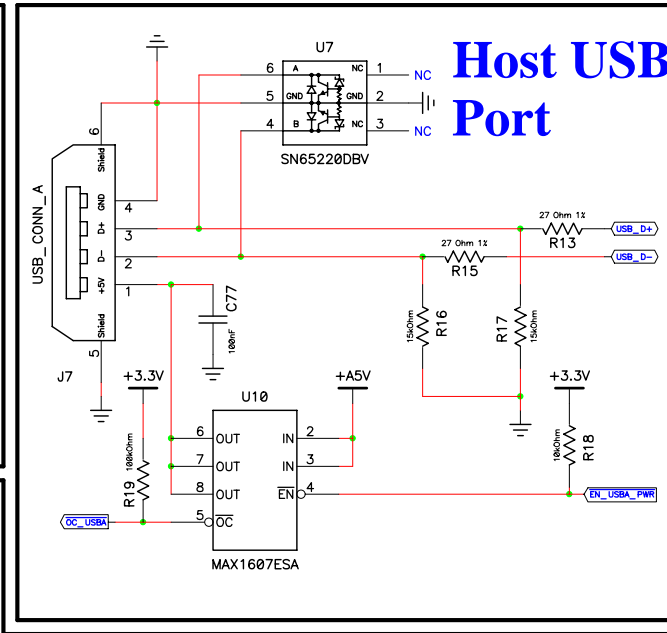


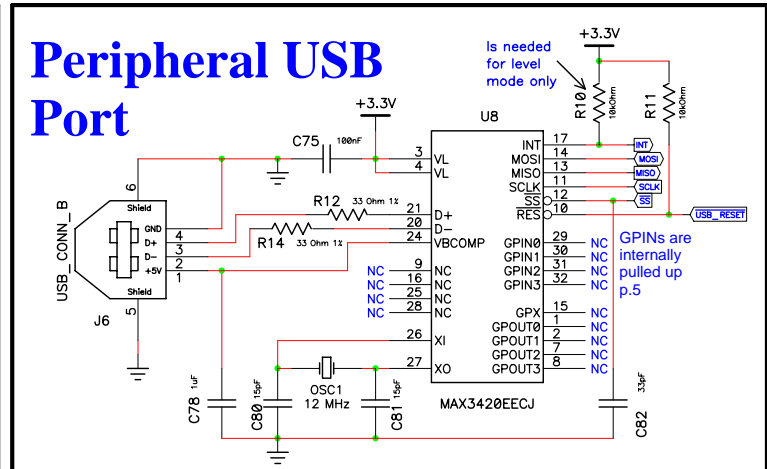
# RS-232 Serial Port



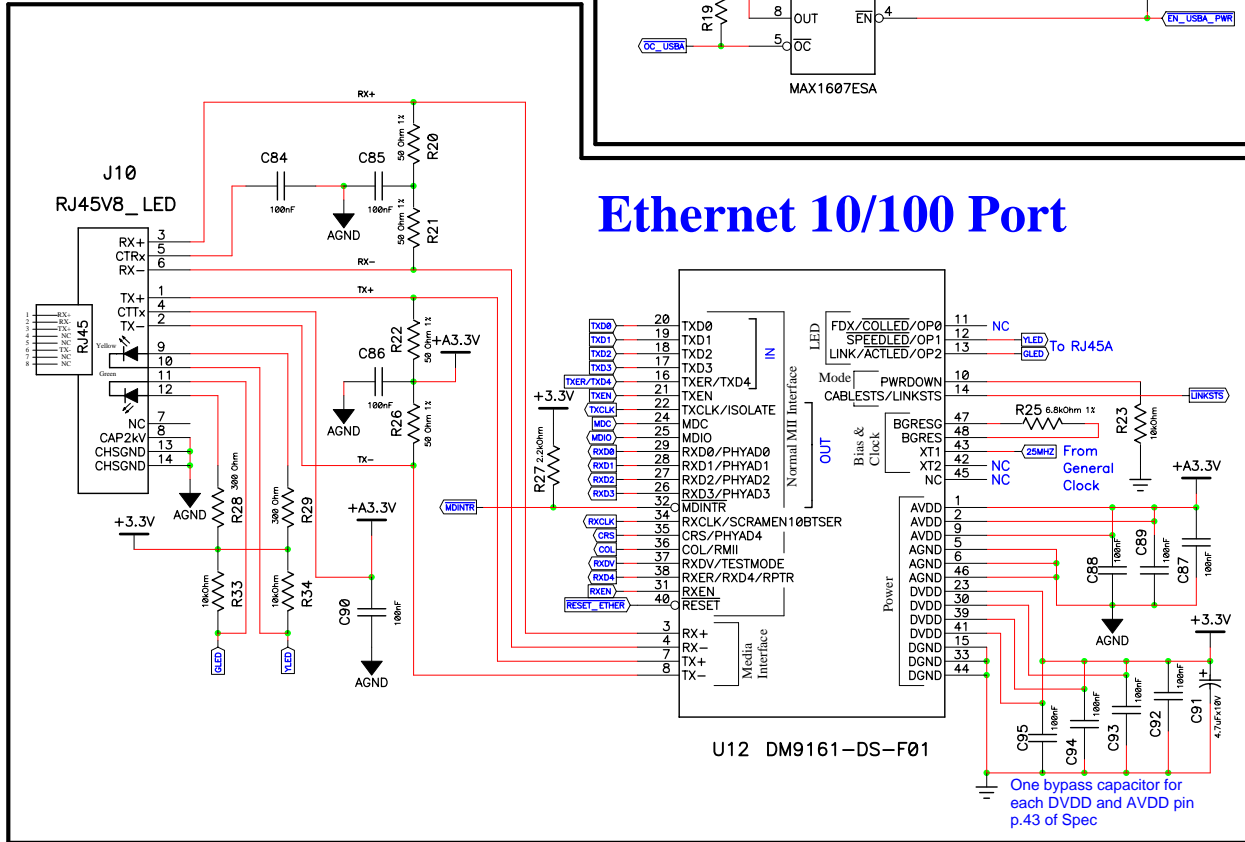
# Host USB Port



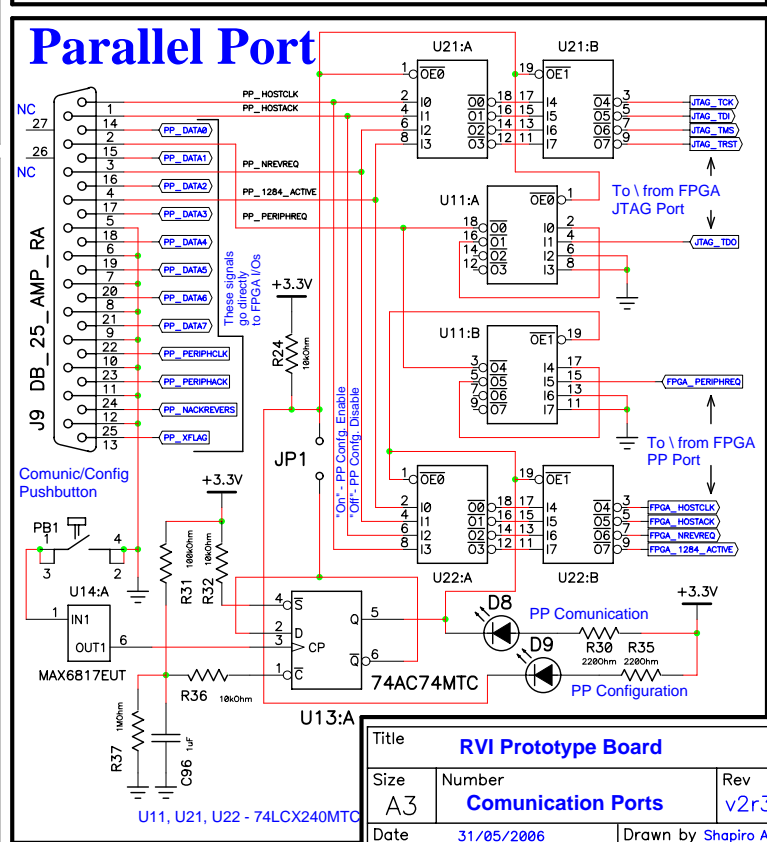
# Peripheral USB Port



# Ethernet 10/100 Port



# Parallel Port



Title			RVI Prototype Board		
Size	Number	Rev			
A3	Communication Ports	v2r3			
Date	31/05/2006	Drawn by		Shapiro A.	
Filename	RVI_Board_final.sch	Sheet		4 of 5	