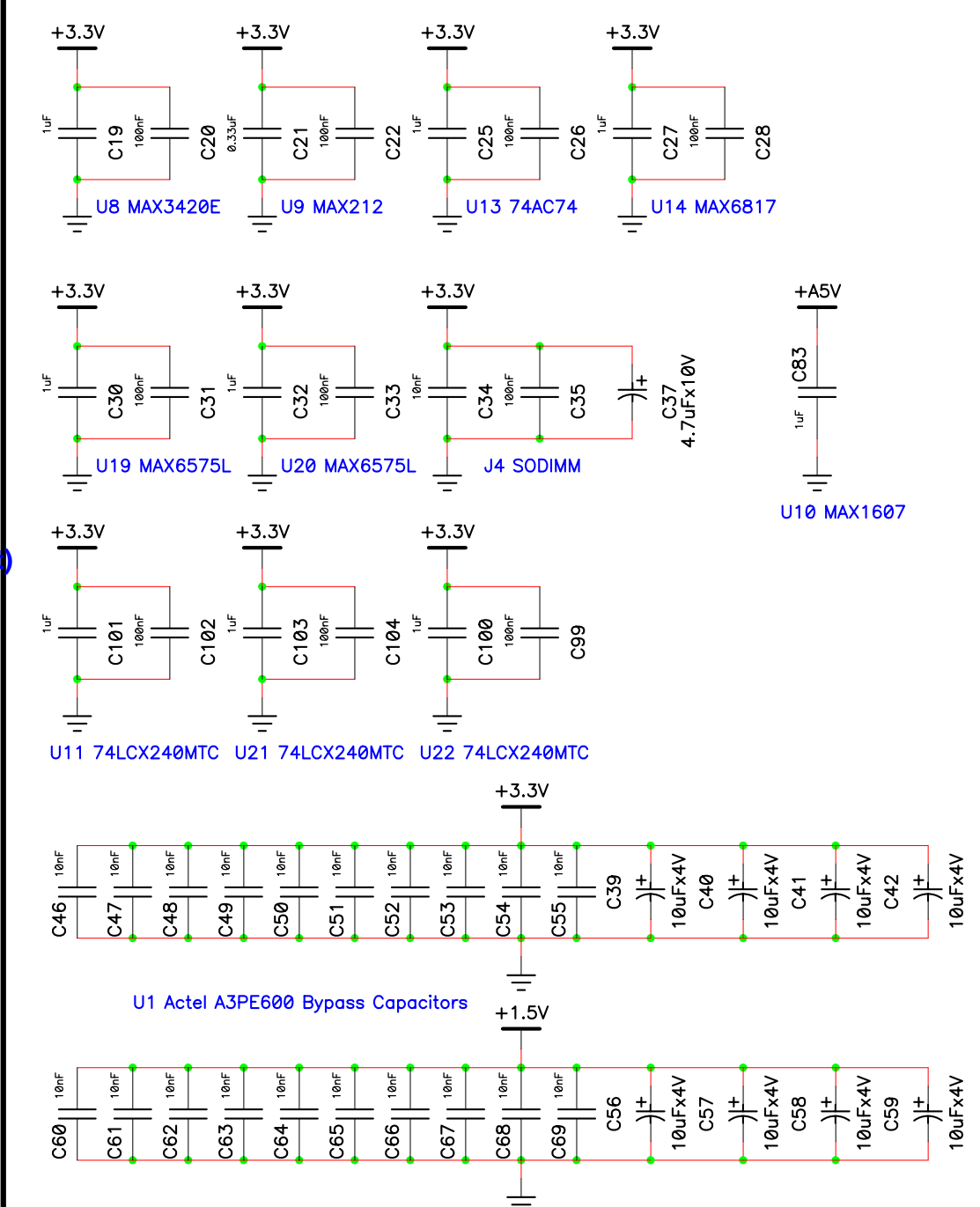


# Bypass Capacitors



Title <b>RVI Prototype Board</b>		
Size <b>A3</b>	Number <b>Power Supplies &amp; Bypass Capacitors</b>	Rev <b>v2r3</b>
Date <b>03/11/2006</b>	Drawn by <b>Shapiro A.</b>	
Filename <b>RVI_Board_final.sch</b>	Sheet <b>2</b> of <b>5</b>	