



OpenCores.Org

FPGA Development Platform Hardware Description

*Author: Steve Fielding
sfielding@base2designs.com*

Rev. 1.0
November 16, 2008

Revision History

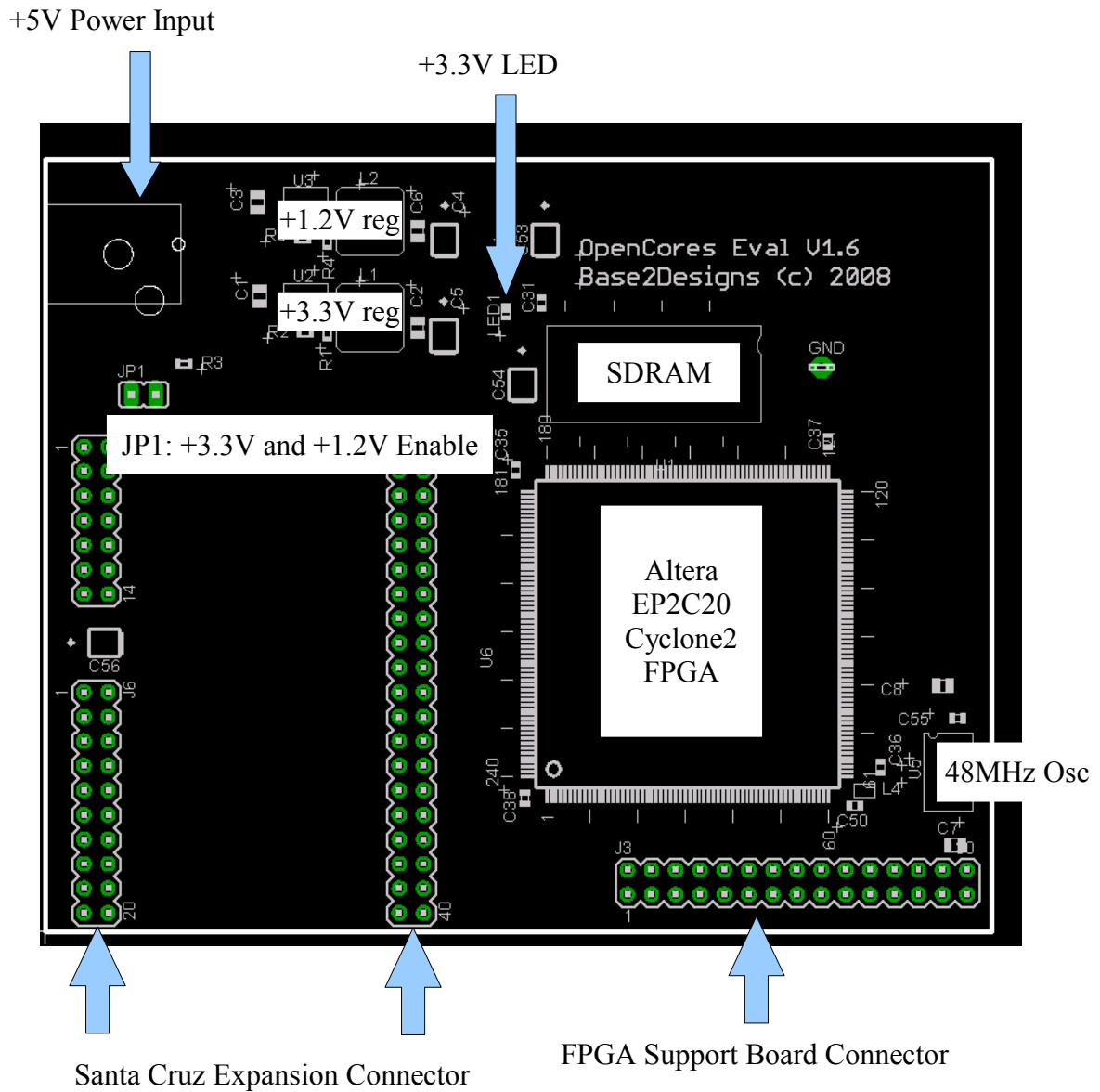
Rev.	Date	Author	Description
1.0	11/16/08	Sfielding	Created

Contents

FPGA MAIN BOARD.....	1
FPGA SUPPORT BOARD.....	2
OPERATION.....	4
CONNECTORS.....	6

1

FPGA Main Board



2

FPGA Support Board

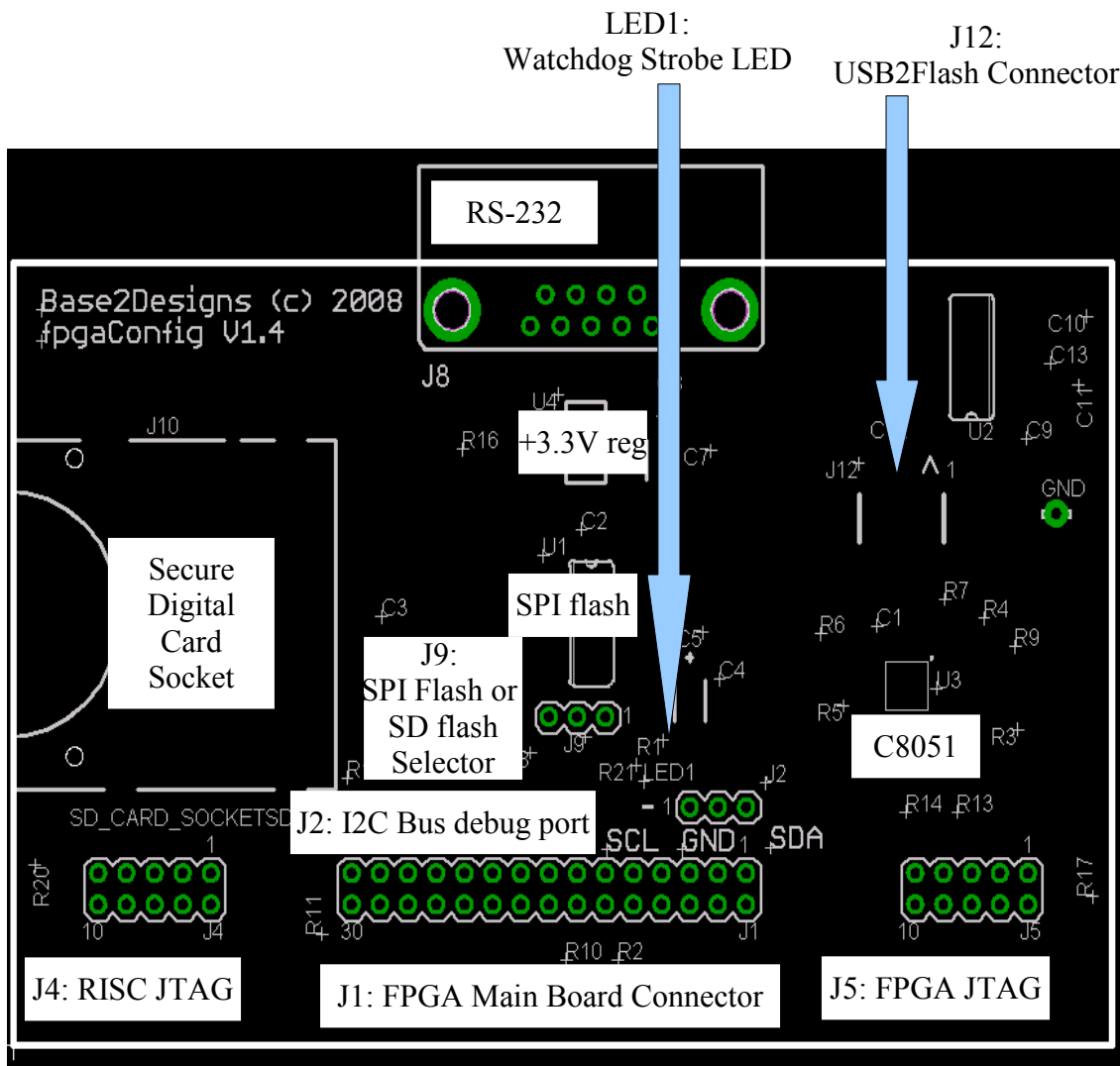
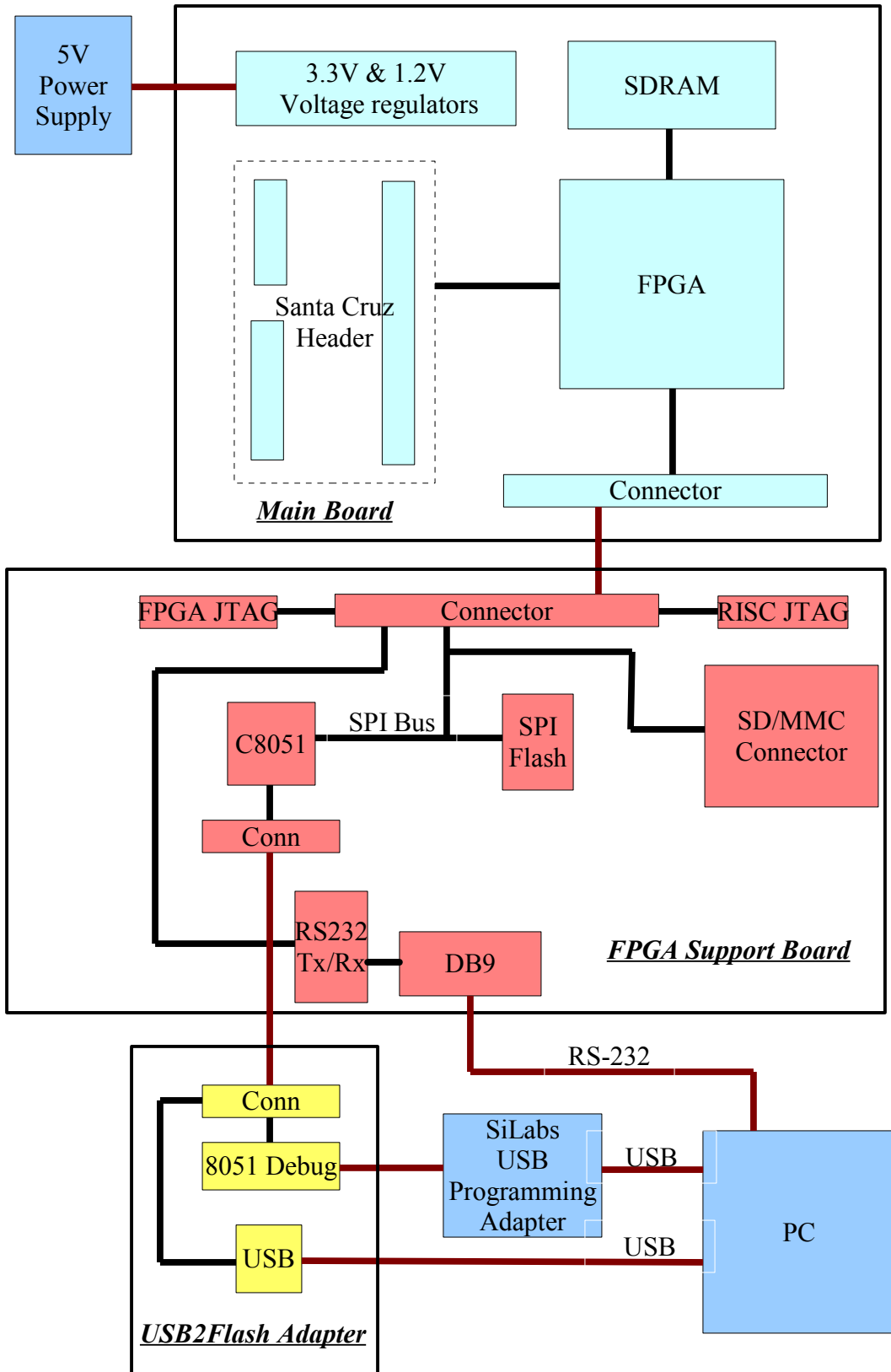


Figure 2.1 – Hardware block diagram



3

Operation

The Main Board contains a minimal number of components required to support the EP2C20 Cyclone2 FPGA in an OpenRISC application. OpenRISC, is an open source RISC processor, available from OpenCores;

<http://www.opencores.org/projects.cgi/web/or1k/overview>

A 30-pin ribbon cable connects the Main Board to the FPGA support board. The FPGA Support Board contains all the components required to configure the FPGA using the Base2Designs FPGA configuration scheme. Base2Designs FPGA configuration scheme allows the storage of FPGA configuration files in commodity flash memory, either SPI flash, or SD/MMC flash cards. In addition to storing the FPGA configuration files, the flash memory can be used to store OpenRISC program files. The Support Board also contains a DB9 supporting RS-232 serial communications with the OpenRISC processor, a FPGA JTAG connector useful for running Altera Signal Tap logic analyser, an OpenRISC JTAG connector for OpenRISC software debug, and a USB2Flash connector which supports the Base2Designs USB2Flash Programming adapter.

Selecting SD flash or SPI flash

As a default the FPGA Support Board is configured for using SD flash cards. If you wish to change to using SPI flash, then you will need to load a new image into the C8051 microcontroller, and change the position of jumper J9. Note, that as of this date the OpenRISC boot loader does not support booting from SPI flash. Never the less, if you have applications that will fit inside FPGA flash memory, you can still use SPI flash. Or if you are not using the OpenRISC then you can also use SPI flash. And since everything is open source, you could modify the boot loader to load from SPI flash.

To select between SPI flash and SD flash you need load the C8051 with an appropriate image, and change the position of jumper J9. You will need a SiLabs Programming adapter in order to re-program the C8051, see the “Base2Designs FPGA Configuration Users Guide” for details. Position the J9 jumper on side closest to the SD flash to use SD flash, and the other side to use SPI flash.

4

Connectors

Table 1: Main Board Connectors

Signal	Pin No.	Dir	Description
Power			
+5V		input	+5V +/- 5% @ 1A. Current consumption is dependent on FPGA usage, but with a typical OpenRISC project loaded, the board consumes ~100mA
JP1 - Regulator Inhibit			
	1 and 2		Link the pins to allow the FPGA Support board to control the +1.2V and +3.3V regulator power inhibit pins. Aim is to allow the C8051 to power down the board, thus saving power. Remove the link to default the regulators to on. C8051 feature not implemented, so leave unconnected.
J3 – FPGA Support Board Connector			
+5V	29	output	+5V from main input connector.
+3.3V	30	output	+3.3V from regulator.
GND	3, 7, 17, 27, 28		Ground
MAIN_BRD_PWR_ON	1	input	Controls the +1.2V and +3.3V regulator power inhibit pins. High = Power on, low = power off.
WATCH_DOG_STROBE	13	output	Watchdog strobe output from FPGA. Toggling of output required to prevent C8051 from resetting the system. Details of toggle rate TBD. Currently unimplemented.
FPGA JTAG debug port			
FPGA_TDI	2	input	Data in
FPGA_TCK	4	input	Clock
FPGA_TDO	6	output	Data out

Signal	Pin No.	Dir	Description
FPGA_TMS	5	input	Mode select
RISC JTAG software debug port			
RISC_TDI	22	input	Data in
RISC_TCK	18	input	Clock
RISC_TDO	19	output	Data out
RISC_TMS	20	input	Mode select
RISC_TRST	21	input	Reset
FPGA Serial Configuration port, and SPI bus			
FPGA_CONF_CLK	8	input	Configuration clock
FPGA_CONF_EN_N	10	input	Configuration enable. Active low.
FPGA_STS_N	26	output	Configuration status. Configuration cannot start until this signal is high.
FPGA_CONF_DONE	25	output	Configuration successfully done. Active high.
SPI_MASTER_DOUT	9	inout	Configuration data input during FPGA configuration. After FPGA configuration becomes SPI data output from FPGA. Connected to two separate pins on FPGA. DATA0 configuration pin and a regular I/O pin.
SPI_MASTER_DIN	15	input	SPI data in to FPGA.
FLASH_SPI_CLK	16	output	SPI clock from FPGA. Tri-state during FPGA configuration.
SPI_CS_N	14	output	SPI chip select from FPGA. Active low. Tri-state during FPGA configuration.
UART			
UART_TX	23	output	Tx data
UART_RX	24	input	Rx data
I2C bus			
I2C_SCL	12	inout	I2C clock signal. Tri-state capable with pull-up on Support board.
I2C_SDA	11	inout	I2C data signal. Tri-state capable with pull-up on Support board.
J1, J6, J7 - Santa Cruz expansion bus			
SC_P_CLK	J6-11	output	Clock.
SC_RST_N	J7-1	output	Reset
SC_CS_N	J7-38	output	Chip select
SC_P[39:0]	See schematic	User defined	User defined

Table 2: Support Board Connectors

Signal	Pin No.	Dir	Description
J8 - RS-232			
TX	2	output	Tx data
RX	3	input	Rx data
GND	5		Ground
J4 - OpenRISC JTAG software debug port			
+3.3_SW	7	output	+3.3V from the main board regulator. Note that this supply will be switched off when the main board regulators are inhibited.
GND	1, 9		Ground
RISC_TDI	2	input	Data in. 1K pull-up
RISC_TCK	10	input	Clock. 1K pull down.
RISC_TDO	8	output	Data out
RISC_TMS	6	input	Mode select. 1K pull-up
RISC_TRST	4	input	Reset
J5 - FPGA JTAG debug port			
+3.3_SW	4	output	+3.3V from the main board regulator. Note that this supply will be switched off when the main board regulators are inhibited.
GND	2, 10		Ground
FPGA_TDI	9	input	Data in
FPGA_TCK	1	input	Clock
FPGA_TDO	3	output	Data out
FPGA_TMS	5	input	Mode select
J2 - I2C Debug port			
I2C_SCL	1	inout	Clock
GND	2		Ground
I2C_SDA	3	inout	Data
J12 - USB2Flash connector for C8051 debug and C8051 UART			
UART_RX	2	input	C8051 serial receive data in. 3.3V LVTTTL logic levels.
UART_TX	4	output	C8051 serial transmit data out. 3.3V LVTTTL logic levels.
C2CK	6	input	C8051 debug clock
C2D	8	inout	C8051 debug data
NC	10		No connect
+3.3V	1	output	+3.3V supply from local regulator. Always on.
GND	3, 5, 7, 9		Ground
J9 - Flash selection			
FLASH_IC_CS_N	1		SI flash chip select

Signal	Pin No.	Dir	Description
SPI_CS_N	2		SPI chip select from either C8051 during FGPGA configuration, or FPGA after configuration. Place link between 2 and 1 to select SPI flash, or 2 and 3 to select SD flash.
SD_CS_N	3		Secure Digital chip select
J3 – FPGA Main Board Connector			
+5V	29	input	+5V from Main board input connector. Supply always present.
+3.3V_SW	30	input	+3.3V from Main board regulator. Supply will be switched off when MAIN_BRD_PWR_ON is low.
GND	3, 7, 17, 27, 28		Ground
MAIN_BRD_PWR_ON	1	output	Controls the +1.2V and +3.3V regulator power inhibit pins. High = Power on, low = power off.
WATCH_DOG_STROBE	13	input	Watchdog strobe output from FPGA. Toggling of output required to prevent C8051 from resetting the system. Details of toggle rate TBD. Currently unimplemented.
<i>FPGA JTAG debug port</i>			
FPGA_TDI	2	output	Data in
FPGA_TCK	4	output	Clock
FPGA_TDO	6	input	Data out
FPGA_TMS	5	output	Mode select
<i>RISC JTAG software debug port</i>			
RISC_TDI	22	output	Data in
RISC_TCK	18	output	Clock
RISC_TDO	19	input	Data out
RISC_TMS	20	output	Mode select
RISC_TRST	21	output	Reset
<i>FPGA Serial Configuration port, and SPI bus</i>			
FPGA_CONF_CLK	8	output	Configuration clock
FPGA_CONF_EN_N	10	output	Configuration enable. Active low.
FPGA_STS_N	26	input	Configuration status. Configuration cannot start until this signal is high.
FPGA_CONF_DONE	25	input	Configuration successfully done. Active high.
SPI_MASTER_DOUT	9	inout	Configuration data input during FPGA configuration. After FPGA configuration becomes SPI data output from FPGA. Connected to two separate pins on FPGA. DATA0 configuration pin and a regular I/O pin.
SPI_MASTER_DIN	15	output	SPI data in to FPGA.

Signal	Pin No.	Dir	Description
FLASH_SPI_CLK	16	input	SPI clock from FPGA. Tri-state during FPGA configuration.
SPI_CS_N	14	input	SPI chip select from FPGA. Active low. Tri-state during FPGA configuration.
<i>UART</i>			
RISC_UART_TX	23	input	Tx data
RISC_UART_RX	24	output	Rx data
<i>I2C bus</i>			
I2C_SCL	12	inout	I2C clock signal. Tri-state capable with pull-up on Support board.
I2C_SDA	11	inout	I2C data signal. Tri-state capable with pull-up on Support board.