

Spartan-3 Generation FPGA User Guide

*Extended Spartan-3A,
Spartan-3E, and Spartan-3
FPGA Families*

UG331 (v1.5) January 21, 2009





Xilinx is disclosing this user guide, manual, release note, and/or specification (the "Documentation") to you solely for use in the development of designs to operate with Xilinx hardware devices. You may not reproduce, distribute, republish, download, display, post, or transmit the Documentation in any form or by any means including, but not limited to, electronic, mechanical, photocopying, recording, or otherwise, without the prior written consent of Xilinx. Xilinx expressly disclaims any liability arising out of your use of the Documentation. Xilinx reserves the right, at its sole discretion, to change the Documentation without notice at any time. Xilinx assumes no obligation to correct any errors contained in the Documentation, or to advise you of any corrections or updates. Xilinx expressly disclaims any liability in connection with technical support or assistance that may be provided to you in connection with the Information.

THE DOCUMENTATION IS DISCLOSED TO YOU "AS-IS" WITH NO WARRANTY OF ANY KIND. XILINX MAKES NO OTHER WARRANTIES, WHETHER EXPRESS, IMPLIED, OR STATUTORY, REGARDING THE DOCUMENTATION, INCLUDING ANY WARRANTIES OF MERCHANTABILITY, FITNESS FOR A PARTICULAR PURPOSE, OR NONINFRINGEMENT OF THIRD-PARTY RIGHTS. IN NO EVENT WILL XILINX BE LIABLE FOR ANY CONSEQUENTIAL, INDIRECT, EXEMPLARY, SPECIAL, OR INCIDENTAL DAMAGES, INCLUDING ANY LOSS OF DATA OR LOST PROFITS, ARISING FROM YOUR USE OF THE DOCUMENTATION.

© 2006–2009 Xilinx, Inc. All rights reserved. XILINX, the Xilinx logo, the Brand Window, and other designated brands included herein are trademarks of Xilinx, Inc. All other trademarks are the property of their respective owners.

Revision History

The following table shows the revision history for this document.

Date	Version	Revision
12/05/06	1.0	Initial release.
02/26/07	1.1	Added Spartan-3AN platform.
04/02/07	1.2	Added Spartan-3A DSP platform.
02/14/08	1.3	Updated for latest package offerings. Updated and corrected descriptions and figures throughout. Updated links for new xilinx.com navigation.
06/25/08	1.4	Added and updated links to design files. Updated banking rules in I/O section. Added reference to XAPP459 in "Using Large-Swing Signals".
01/21/09	1.5	Updated document to refer to Extended Spartan-3A family. Corrected column headers CLKA and CLKB in Table 5-14 on page 191 . Clarified DCM "Output Alignment" on page 127 . Added section "Spartan-3A and Spartan-3A DSP FPGA Dual-Range V _{CCAUX} " on page 350 .

Table of Contents

Preface: About This Guide

Guide Contents	21
Additional Resources	22
Conventions	22
Typographical	22
Online Document	23

Section I: Designing with Spartan-3 Generation FPGAs

Chapter 1: Overview

Introduction	27
Spartan-3 Generation Families	28
Extended Spartan-3A Family Features	30
Spartan-3AN Platform Additional Features	31
Spartan-3A DSP Platform Additional Features	32
Spartan-3 Generation Resources	32
Architectural Overview	34
Configuration	35
I/O Capabilities	36
Package Marking	40
Ordering Information	41

Chapter 2: Using Global Clock Resources

Summary	43
Introduction	43
Global Clock Resource Differences between Spartan-3 Generation Families ..	43
Global Clock Resources	44
Clocking Infrastructure	44
Clock Inputs	46
Extended Spartan-3A Family Clock Inputs	46
Spartan-3E FPGA Clock Inputs	48
Spartan-3 FPGA Clock Inputs	49
Clock Inputs and DCMs	49
Differential Clocks Using Two Inputs	49
Using Dedicated Clock Inputs in a Design	50
IBUFG	50
IBUFGDS	50
Clock Buffers/Multiplexers	51
BUFGMUX Multiplexing Details	52
Using Clock Buffers/Multiplexers in a Design	52
BUFGMUX and BUFGMUX_1	52

BUFG	53
BUFGCE and BUFGCE_1	53
XST Synthesis of Clock Buffers	54
BUFGMUX Connection Details	54
BUFGMUX Inputs	54
BUFGMUX Outputs	57
Spartan-3 Global Clock Buffers	57
Quadrant Clock Routing	57
Choosing Top/Bottom and Left-/Right-Half Global Buffers	59
Spartan-3 Global Clock Routing	59
Other Information	59
Clock Power Consumption	59
Clock Setup and Hold Timing	59
Summary	60
Additional Information	60

Chapter 3: Using Digital Clock Managers (DCMs)

Summary	61
Introduction	61
Document Overview	62
Compatibility and Comparison with Other Xilinx FPGA Families	63
DCM Locations and Clock Distribution Network Interface	64
DCM Functional Overview	65
Delay-Locked Loop (DLL)	66
Digital Frequency Synthesizer (DFS)	66
Phase Shift (PS)	66
Status Logic	67
DCM Primitive	67
Symbol	67
Connection Ports	68
Attributes, Properties, or Constraints	71
DCM Clock Requirements	75
Input Clock Frequency Range	75
Output Clock Frequency Range	76
Input Clock and Clock Feedback Variation	76
Cycle-to-Cycle Jitter	77
Period Jitter	77
DLL Feedback Delay Variance	78
Spread Spectrum Clocks	78
Optimal DCM Clock and External Feedback Inputs	79
Spartan-3E FPGA DCM Clock Inputs	79
Spartan-3A/3AN/3A DSP FPGA DCM Clock Inputs	82
LOCKED Output Behavior	85
Using the LOCKED Signal	86
Spartan-3A DCM Digital Frequency Synthesizer Requires Additional Lock Circuitry	87
RST Input Behavior	87
Clocking Wizard	88
Invoking Clocking Wizard	88

From Windows Start Button	88
From within Project Navigator	89
General Setup	90
Advanced Options	92
Clock Buffers	93
Clock Frequency Synthesizer	94
Generating HDL Output	95
VHDL and Verilog Instantiation	96
Language Templates within Project Navigator	96
Eliminating Clock Skew	97
What is Clock Skew?	97
Clock Skew: The Performance Thief	98
Make It Go Away!	98
Predicting the Future by Closely Examining the Past	99
Locked on Target	100
A Stable, Monotonic Clock Input	100
Feedback from a Reliable Source	101
Removing Skew from an Internal Clock	101
Removing Skew from an External Clock	102
Reset DCM After Configuration	102
Why Reset?	103
What is a Delay-Locked Loop?	104
Delay-Locked Loop (DLL)	104
Phase-Locked Loop (PLL)	105
Implementation	105
DLL vs. PLL	105
Skew Adjustment	105
System Synchronous	105
Source Synchronous	106
Timing Comparisons	107
Clock Conditioning	107
Spartan-3E and Spartan-3A/3AN/3A DSP FPGA Output Clock Conditioning	108
Spartan-3 FPGA Output Clock Conditioning	108
Phase Shifting – Delaying Clock Outputs by a Fraction of a Period	109
Half-Period Phase Shifted Outputs	110
Half-Period Phase Shift Outputs Reduce Duty-Cycle Distortion	111
Dual-Data Rate (DDR) Clocking Example	111
Quadrant Phase Shifted Outputs	112
Output Availability Depends on DLL Frequency Mode	113
Spartan-3 FPGA: Optional 50/50 Duty Cycle Correction	113
Four Phases, Delayed Clock Edges, Phased Pulses	114
Fine Phase Shifting	114
Fixed Fine Phase Shifting	115
Spartan-3 Family Fixed Fine Phase Shift Range	116
Minimum Phase Shift Size	117
Other Design Considerations	117
Clocking Wizard	117
Variable Fine Phase Shifting	118
Important Differences Between Spartan-3 Generation FPGA Families	118
Spartan-3E and Spartan-3A/3AN/3A DSP Variable Phase Shift Operations	120
Operation	120
Variable Fine Phase Shift Range	122
Spartan-3 FPGA Family Variable Phase Shift Range	122

Spartan-3E and Extended Spartan-3A Family Variable Phase Shift Range	123
Controls	123
Clocking Wizard	125
Example Applications	125
Clock Multiplication, Clock Division, and Frequency Synthesis	125
Output Alignment	127
Frequency Synthesis Applications	127
Input and Output Clock Frequency Restrictions	128
Clock Doubler (CLK2X, CLK2X180)	129
Clock Divider (CLKDV)	130
CLKDV Clock Conditioning	131
CLKDV Jitter Depends on Frequency Mode and Integer or Non-Integer Value.	132
Clocking Wizard	132
Frequency Synthesizer (CLKFX, CLKFX180)	132
Clocking Wizard	134
Clock Forwarding, Mirroring, Rebuffering	135
Clock Jitter or Phase Noise	136
What is Clock Jitter?	136
What Causes Clock Jitter?	137
Understanding Clock Jitter Specifications	137
Cycle-to-Cycle Jitter	137
Period Jitter	138
Unit Interval (UI)	138
Calculating Total Jitter	139
Adding Input Jitter to DLL Output Jitter	139
Calculating Jitter for Cascaded DCMs	140
Example 1: All DCMs Use DLL Outputs	140
Example 2: Some DCMs Use the CLKFX or CLKFX180 Outputs	141
Cascaded DCM Design Recommendations	141
Jitter Effect on System Performance	141
Example	142
Recommended Design Practices to Minimize Clock Jitter	142
Properly Design the Power Distribution System	143
Properly Design the Printed Circuit Board	143
Obey Simultaneous Switching Output (SSO) Recommendations	143
Optionally Place Virtual Ground Pins Around DCM Input and Output Connections	143
V _{CCAUX} Considerations for Improving Jitter Performance	144
Adjusting FACTORY_JF Setting (Spartan-3 FPGA Family Only)	145
Miscellaneous Advanced Topics	145
Bitstream Generation Settings	145
Setting Bitstream Generation Options in Project Navigator	145
Setting Bitstream Generation Options via Command Line or Script	146
Setting Configuration Logic to Wait for DCM LOCKED Output	146
Reset DCM During Partial Reconfiguration or During Full Reconfiguration via JTAG	147
Momentarily Stopping CLKIN	148
Related Materials and References	149

Chapter 4: Using Configurable Logic Blocks (CLBs)

CLB Overview	151
CLB Array	151
CLB Differences between Spartan-3 Generation Families	152

Slices	153
Slice Location Designations	155
Slice Overview	155
Logic Cells	156
Slice Details	156
Main Logic Paths	158
Look-Up Tables	158
Wide Multiplexers	159
Carry and Arithmetic Logic	159
Storage Elements	159
Initialization	161
Distributed RAM	161
Shift Registers	161
Related Materials	161

Chapter 5: Using Block RAM

Summary	163
Introduction	163
Block RAM Differences between Spartan-3 Generation Families	166
Block RAM Location and Surrounding Neighborhood	167
Block RAM/Multiplier Routing Interaction	168
Data Flows	168
Signals	168
Data Inputs and Outputs	169
Data Input Bus — DI[#:0] (DIA[#:0], DIB[#:0])	169
Data Output Bus — DO[#:0] (DOA[#:0], DOB[#:0])	169
Parity Inputs and Outputs	170
Data Input Parity Bus — DIP[#:0] (DIPA[#:0], DIPB[#:0])	170
Data Output Parity Bus — DOP[#:0] (DOPA[#:0], DOPB[#:0])	170
Address Input	172
Address Bus — ADDR[#:0] (ADDRA[#:0], ADDR#B[#:0])	172
Control Inputs	172
Clock — CLK (CLKA, CLKB)	172
Enable — EN (ENA, ENB)	172
Write Enable — WE (WEA, WEB)	172
Output Register Enable - REGCE (REGCEA, REGCEB) Spartan-3A DSP Only	174
Output Latch Synchronous Set/Reset — SSR (SSRA, SSRB)	174
Output Latch/Register Synchronous/Asynchronous Set/Reset - RST (RSTA, RSTB) - Spartan-3A DSP Only	174
Global Set/Reset — GSR	175
Inverting Control Pins	175
Unused Inputs	175
Attributes	175
Number of Ports	176
CORE Generator System	176
VHDL or Verilog Instantiation	177
Memory Organization/Aspect Ratio	177
CORE Generator System — Memory Size	177
VHDL or Verilog Instantiation	178

Address and Data Mapping Between Two Ports	178
Content Initialization	179
CORE Generator System — Load Init File	179
VHDL or Verilog Instantiation — INIT_xx, INITP_xx	179
Data Output Latch Initialization	180
CORE Generator System — Global Init Value	180
VHDL or Verilog Instantiation — INIT (INIT_A and INIT_B)	181
Data Output Latch Synchronous Set/Reset Value	181
CORE Generator System — Init Value (SINIT)	181
VHDL or Verilog Instantiation — SRVAL (SRVAL_A and SRVAL_B)	181
Read Behavior During Simultaneous Write — WRITE_MODE	181
WRITE_FIRST or Transparent Mode (Default)	182
READ_FIRST or Read-Before-Write Mode	183
NO_CHANGE Mode	184
CORE Generator System — Write Mode	185
VHDL or Verilog Instantiation — WRITE_MODE	185
Location Constraints (LOC)	185
Block RAM Operation	186
RAM Contents Initialized During Configuration	187
Global Set/Reset Initializes Data Output Latches	
Immediately After Configuration or Global Reset	187
Enable Input Activates or Disables RAM	187
Synchronous Set/Reset Initializes Data Output Latches	188
Simultaneous Write and Synchronous Set/Reset Operations	188
Read Operations Occur on Every Clock Edge When Enable is Asserted	188
Write Operations Always Have Simultaneous	
Read Operation, Data Output Latches Affected	188
General Characteristics	188
Functional Compatibility with Other Xilinx FPGA Families	189
Dual-Port RAM Conflicts and Resolution	189
Timing Violation Conflicts	189
Simultaneous Writes to Both Ports with Different Data Conflicts	190
Write Mode Conflicts on Output Latches	191
Conflict Resolution	191
Block RAM Design Entry	191
Xilinx CORE Generator System	191
VHDL and Verilog Instantiation	192
Inferring Block RAM	192
Instantiation Templates	192
Initialization in VHDL or Verilog Codes	193
Block RAM Applications	193
Creating Larger RAM Structures	193
Block RAM as Read-Only Memory (ROM)	193
FIFOs	193
Storage for Embedded Processors	194
Updating Block RAM/ROM Content by Directly Modifying Device Bitstream	194
Two Independent Single-Port RAMs Using One Block RAM	195
A 256x72 Single-Port RAM Using One Block RAM	196
Circular Buffers, Shift Registers, and Delay Lines	197
Fast Complex State Machines and Microsequencers	199
Fast, Long Counters Using RAM	200
Four-Port Memory	202
Content-Addressable Memory (CAM)	202

Implementing Logic Functions Using Block RAM	202
Fuzzy Pattern Matching Circuit Example	203
Mapping Logic into Block RAM Using MAP -bp Option.	203
Waveform Storage, Function Tables, Direct Digital Synthesis (DDS) Using Block RAM	204
Related Materials and References	205
Conclusion	205
Appendix A: VHDL Instantiation Example	206
Appendix B: Verilog Instantiation Example	209

Chapter 6: Using Look-Up Tables as Distributed RAM

Summary	211
Introduction	211
Single-Port and Dual-Port RAMs	211
Data Flow	211
Write Operations	212
Read Operation	212
Read During Write	212
Characteristics	213
Distributed RAM in the CLB	213
Distributed RAM Differences between Spartan-3 Generation Families	214
Compatibility with Other Xilinx FPGA Families	215
Library Primitives	216
Signal Ports	217
Clock — WCLK	217
Enable — WE	217
Address — A0, A1, A2, A3 (A4, A5, A6, A7)	217
Dual-Port Read Address — DPRA0, DPRA1, DPRA2, DPRA3	217
Data In — D	217
Data Out — O, SPO, and DPO	217
Inverting Control Pins	218
Global Set/Reset — GSR	218
Global Write Enable — GWE	218
Attributes	218
Content Initialization — INIT	218
Placement Location — LOC	219
Distributed RAM Design Entry	221
Xilinx CORE Generator System	221
VHDL and Verilog	222
Inferring Distributed RAM	222
Instantiation Templates	223
Verilog Instantiation Template Example	224
Wider Distributed RAM Modules	225
Initialization in VHDL or Verilog Codes	225
Conclusion	225
Related Materials and References	225

Chapter 7: Using Look-Up Tables as Shift Registers (SRL16)

Summary	227
Shift Register Differences between Spartan-3 Generation Families	227
Introduction	227
Shift Register Architecture	228
LUT Structure	228
Dynamic Length Adjustment	228
Logic Cell Structure	228
Registered Output	229
Slice Structure	229
CLB Structure	230
Library Primitives	232
Initialization in VHDL and Verilog Code	233
Port Signals	233
Clock — CLK	233
Data In — D	233
Clock Enable — CE (optional)	233
Address — A3, A2, A1, A0	233
Data Out — Q	234
Data Out — Q15 (optional)	234
Inverting Control Pins	234
GSR	234
Attributes	234
Content Initialization — INIT	234
Location Constraints	234
Shift Register Operations	235
Data Flow	235
Shift Operation	236
Dynamic Read Operation	236
Static Read Operation	237
Characteristics	237
Shift Register Inference	237
VHDL Inference Code	238
Verilog Inference Code	238
Shift Register Submodules	239
Fully Synchronous Shift Registers	240
Static-Length Shift Registers	240
VHDL and Verilog Instantiation	241
VHDL and Verilog Templates	241
CORE Generator System	243
Applications	244
Delay Lines	244
Linear Feedback Shift Registers	244
Gold Code Generator	245
FIFOs	246
Counters	246
Related Materials and References	247
Conclusion	247

Chapter 8: Using Dedicated Multiplexers

Summary	249
Introduction	249
Dedicated Multiplexer Differences between Spartan-3 Generation Families	249
Advantages of Dedicated Multiplexers	250
CLB Multiplexer Resources	251
F5MUX	251
FiMUX	253
Naming Conventions	253
Dedicated Local Routing	254
Mux Select Inputs	255
Implementation Examples	255
Wide-Input Multiplexers	255
Wide-Input Functions	257
Timing Parameters	260
Programmable Polarity	260
Floorplanning Multiplexers	260
Related Uses of Multiplexers	261
Multiplexers and Three-State Buffers	261
Using Memory in Place of Multiplexers	261
Other Multiplexers	261
Designing with Multiplexers	262
Inference	262
Verilog Inference	263
VHDL Inference	263
Library Primitives	263
Enable Signals in Multiplexers	264
Modeling Local Output Timing	265
Submodules	265
Port Signals	266
Data In — DATA_I	266
Control In — SELECT_I	266
Data Out — DATA_O	266
Applications	266
VHDL and Verilog Instantiation	266
VHDL and Verilog Submodules	267
CORE Generator System	270
Related Materials	272
Summary	272

Chapter 9: Using Carry and Arithmetic Logic

Summary	273
Introduction	273
Carry and Arithmetic Logic Differences between Spartan-3 Generation Families	273
Look-Ahead Carry Addition	274
Resource Details	275
MUXCY	277
Carry Chain Bypass and Initialization	277

XORCY	277
Carry Logic Connections	277
Connections within a Slice	277
Connections between Slices and CLBs	278
Multiplication Resources	281
Component and Pin Names	282
Performance	284
Specifications	288
Designing with the Carry and Arithmetic Logic	290
Library Elements Using Carry	290
Primitives	291
XORCY	292
MULT_AND	293
Emulating Virtex-II ORCY Components	294
Macros	294
Using the CORE Generator System	295
Adder	295
Accumulator	296
Comparator	296
Multiplier	296
Logic Gates	297
Carry and Synthesis Constraints	297
MUX_STYLE Constraint	297
MULT_STYLE Constraint	298
Carry and Relative Location Constraints	298
Carry and Floorplanning	299
Applications	300
Wide Gates	300
Sum of Products	302
Comparators	302
Adders	303
Counters	304
Multipliers	306
Optimizing Carry-Based Multipliers	307
MULT_AND vs. MULT18X18	308
MULT_AND vs. CLB Logic	308
Other Types of Multipliers	309
Conclusion	309
Related Materials and References	309

Chapter 10: Using I/O Resources

IOB Overview	311
I/O Differences between Spartan-3 Generation Families	314
Number of Resources per Device	314
Input-Only Pins	314
Package Footprint Compatibility	315
Summary of Differences	315
Design Entry	316
Library Components	316
Registered I/O	318

Differential I/O	318
IBUF	318
IBUFG	319
IBUFDS	319
OBUF	319
OBUFT	319
IOBUF	320
DDR and Adjustable Delay I/O Components	320
HDL Entry	320
Architectural Details	321
Input Delay Functions	321
Programmable Delay	321
Dynamic Delay in Extended Spartan-3A Family	322
Storage Element Functions	324
Double-Data-Rate Transmission	326
Register Cascade Feature	327
IDDR2	327
ODDR2	329
Pull-Up and Pull-Down Resistors	330
FPGA Pull-Up Resistor Values	331
Keeper Circuit	331
JTAG Boundary-Scan Capability	332
SelectIO Signal Standards	332
Overview of I/O Standards	332
LVTTTL — Low-Voltage TTL	334
LVCMOS — Low-Voltage CMOS	334
PCI — Peripheral Component Interface	334
GTL — Gunning Transceiver Logic Terminated	334
GTL+ — Gunning Transceiver Logic Plus	334
HSTL — High-Speed Transceiver Logic	334
SSTL3 — Stub Series Terminated Logic for 3.3V	334
SSTL2 — Stub Series Terminated Logic for 2.5V	335
SSTL18 — Stub Series Terminated Logic for 1.8V	335
LVDS — Low Voltage Differential Signal	335
BLVDS — Bus LVDS	335
LVPECL — Low Voltage Positive Emitter Coupled Logic	335
LDT — HyperTransport (formerly known as Lightning Data Transport)	335
mini-LVDS	335
LVDS Extended — Extended Mode LVDS	335
RSDS — Reduced Swing Differential Signaling	336
TMDS — Transition Minimized Differential Signaling	336
PPDS — Point-to-Point Differential Signaling	336
I/O Standard Differences between Spartan-3 Generation Families	336
Specifying an I/O Standard with the IOSTANDARD Attribute	338
Timing Analysis	340
LVCMOS/LVTTTL Slew Rate Control and Drive Strength	341
Simultaneously Switching Outputs	342
HSTL/SSTL V_{REF} Reference Voltage	343
Single-Ended I/O Termination Techniques	344
Differential I/O Standards	347
On-Chip Differential Termination	347
DCI Digitally Controlled Impedance	349
Supply Voltages for the IOBs	350

Spartan-3A and Spartan-3A DSP FPGA Dual-Range V_{CCAUX}	350
ESD Protection	350
I/Os Organized into Banks	350
Single-Ended I/O Standard Bank Compatibility	351
Differential I/O Standard Bank Compatibility	355
I/O Banking Rules	358
Using Large-Swing Signals	358
Voltage Translators	359
Open-Drain Interfacing	359
Voltage Clamps Using Internal Diodes	360
I/O and Input-Only Pin Behavior During Power-On, Configuration, and User Mode	360
Behavior of Unused I/O Pins After Configuration	361
Related Materials and References	361

Chapter 11: Using Embedded Multipliers

Summary	363
Introduction	363
Embedded Multiplier Resource Differences between Spartan-3 Generation Families	364
Two's-Complement Signed Multiplier	364
Location Constraints	365
Multiplier/Block RAM Routing Interaction	366
Optional Pipeline Registers	366
Timing Specification	367
Expanding Multipliers	368
Cascading Multipliers	368
Examples	369
Two Multipliers in a Single Primitive	371
Design Entry	372
MULT_STYLE Constraint	374
Using the CORE Generator System	375
System Generator	376
MAC Cores	376
Spartan-3 Family Library Primitives	377
Data Flow	378
Multipliers in the Spartan-3 Generation Architecture	378
Alternative Applications to Multiplication	379
Shifter	379
Magnitude Return	380
Two's-Complement Return	380
Complex Multiplication	381
Time Sharing in Matrix Multiplication	381
Floating-Point Multiplication	381
Related Materials and References	382
Conclusion	382
Appendix A: Two's-Complement Multiplication	383

Chapter 12: Using Interconnect

Overview	385
Interconnect Differences between Spartan-3 Generation Families	385
Switch Matrix	385
Long Lines	387
Hex Lines	387
Double Lines	388
Direct Connections	388
Viewing Interconnect Details with FPGA Editor	388
Global Controls	389
STARTUP_SPARTAN3 Primitives	389
Summary	390

Section II: Design Software

Chapter 13: Using ISE Design Tools

Summary	393
Introduction	393
Design Flow	393
Design Entry and Synthesis	395
Hierarchical Design	396
Schematic Entry	397
HDL Entry and Synthesis	397
Constraints	398
Design Implementation	398
Translating	399
Mapping	400
Placing and Routing	401
Bitstream Generation	401
Design Verification	401
Simulation	402
Static Timing Analysis	403
In-Circuit Verification	404
ISE Development Environment	404
Introduction to ISE Tools	404
Design Entry	404
Synthesis	404
Simulation	404
Implementation	404
Device Download	405
ISE Versions	405
Project Navigator	405
Project Navigator Main Window	406
Project	406
Sources	407
Source Hierarchy	407
ISE Tools	407
Engineering Capture System (ECS)	407
HDL Editor	407
Xilinx Synthesis Technology (XST)	407

HDL Advisor	408
Partner Tools.	408
Intellectual Property (IP).	408
CORE Generator System.	408
System Generator for DSP	409
Embedded Development Kit and Platform Studio	409
Clocking Wizard.	409
Data2MEM Tool	409
Automatic Implementation Tools	409
Incremental Design.	410
Modular Design	410
Constraints Editor.	411
PACE	411
Floorplanner	411
PlanAhead Tool	411
FPGA Editor	412
Interactive Timing Analyzer.	412
ISE Simulator	412
iMPACT Configuration Tool	413
ChipScope Pro Analyzer.	413
Power Analysis Tools	413
Related Materials and References	413
Conclusion.	414

Chapter 14: Using IP Cores

Summary	415
The CORE Generator System.	415
Xilinx IP Solutions and the IP Center	415
LogiCORE Products.	416
AllianceCORE Products	416
Candidate Core Products	416
Design Files	417
Xilinx Alliance Program Partner Services	417
SignOnce	417
Spartan-3 Generation IP Cores	417
Related Materials and References	436

Chapter 15: Embedded Processing and Control Solutions

Introduction	437
PicoBlaze Application Development Support.	441
MicroBlaze Application Development Support	441
Embedded Development Kit (EDK)	441
Xilinx Platform Studio (XPS).	441
GNU Software Development Tools	441
Hardware/Software Development Tools	441
Board Support Packages (BSPs)	441
Operating Systems	441
Processor Peripheral IP Functions.	442
Processor Peripherals	442
Serial I/O	442

Memory Interfaces	442
Networking Interfaces	442
In-Circuit Hardware Debugger Support	443
Related Materials and References	443

Section III: PCB Design Considerations

Chapter 16: Packages and Pinouts

Summary	447
Differences in Pinouts Between Spartan-3 Generation FPGAs.....	447
Pin Types	449
Pin Labeling	450
Differential Pair Labeling	450
Pinout Files	451
Pinout Tables	451
Footprint Diagrams.....	452
PartGen.....	453
ISE Development System Pin Assignment Reports	453
Pinout and Area Constraints Editor (PACE) Tool.....	453
PlanAhead Design Analysis Tool.....	455
Packages.....	456
Pb-Free Packages	456
Differences in Packages Between Spartan-3 Generation Families	457
Selecting the Right Package Option	457
Package Thermal Characteristics.....	457
Related Materials and References	458

Chapter 17: Package Drawings

Summary	461
VQ100/VQG100 Very Thin QFP Package (pk012)	463
CP132/CPG132 Chip Scale BGA Package (pk500).....	464
TQ144/TQG144 Thin QFP Package (pk009)	465
PQ208/PQG208 QFP Package (pk007)	466
FT256/FTG256 Fine-Pitch Thin BGA Package (pk053)	467
FG320/FGG320 Fine-Pitch BGA Package (pk071)	468
FG400/FGG400 Fine-Pitch BGA Package (pk083)	469
FG456/FGG456 Fine-Pitch BGA Package (pk034)	470
FG484/FGG484 Fine-Pitch BGA Package (pk081)	471
CS484/CSG484 Chip-Scale BGA Package (pk223)	472
FG676/FGG676 Fine-Pitch BGA Package (pk035)	473
FG900/FGG900 Fine-Pitch BGA Package (pk038)	474
FG1156/FGG1156 Fine-Pitch BGA Package (pk039).....	475

Chapter 18: Powering Spartan-3 Generation FPGAs

Introduction	477
--------------------	-----

Differences between Spartan-3 Generation Families	477
Voltage Supplies	478
V_{REF}	479
Power Estimation	479
Voltage Regulators	479
Power-On Behavior	480
Supply Sequencing	480
Surplus I_{CCINT} if V_{CCINT} is Applied before V_{CCAUX}	481
Ramp Rate	481
Hot Swap	481
Configuration Data Retention, Brown-Out	482
Saving Power	482
Saving Clock Routing Power	483
Power-Off Mode	483
Suspend Mode	485
Board Design and Signal Integrity	485
Simultaneously Switching Outputs	485
Power Distribution System Design and Decoupling/Bypass Capacitors	485
No Internal Charge Pumps or Free-Running Oscillators	486
Large-Swing Signals	486
Related Documents	486

Chapter 19: Power Management Solutions

Overview	487
Extended Spartan-3A Family Suspend Mode	488
Suspend Features and Benefits	489
Design Preparation for Suspend Mode	489
Entering Suspend Mode	490
Exiting Suspend Mode	492
PROG_B Programming Pin Always Overrides Suspend Mode	493
Suspend Mode Timing Example	493
Enable the Suspend Feature	494
Via User Constraints File (UCF)	494
Via BitGen	495
Define the I/O Behavior During Suspend Mode	495
Single-Ended I/O Standards	495
Differential I/O Standards	495
SUSPEND Constraint	496
Application State Retained during Suspend Mode	496
Suspend Mode Wake-Up Timing Controls	497
Wake-Up Timing Clock Source (sw_clk)	497
Switch Outputs from Suspend to Normal Behavior (sw_gts_cycle)	498
Release Write Protect on Clocked Elements (sw_gwe_cycle)	498
Dedicated Configuration Pins Unaffected During Suspend Mode	499
SUSPEND Pin	499
Characteristics	499
SUSPEND Input Glitch Filter	499
Effect on FPGA Configuration	500
Tie SUSPEND to GND if not Using Suspend Mode	500
AWAKE Pin	501

General Behavior (Suspend Feature Disabled)	501
AWAKE Pin Behavior when Suspend Feature Enabled	501
Controlling Wake-Up from an External Source	501
JTAG Operations Allowed During Suspend Mode	502
Post-Configuration CRC Limitations When Using Suspend Mode	502
Suspend Mode Bitstream Generator Options	503
FPGA Voltage Requirements During Suspend Mode	503
Supply Requirements During Suspend Mode	504
Hibernate	504
Forcing FPGA to Quiescent Current Levels	504
Entering Hibernate State	504
Extended Spartan-3A Family FPGA: Turn Off V_{CCO}	505
Spartan-3E and Spartan-3 FPGAs: Maintain V_{CCO} on I/O Banks Connected to Powered External Devices	505
Exiting Hibernate	506
Design Considerations	507

Chapter 20: Using IBIS Models

Summary	509
Introduction	509
IBIS Advantages over SPICE	509
IBIS Background	510
Xilinx Support of IBIS	511
IBIS I/V and dV/dt Curves	511
Ramp and dV/dt Curves	512
IBISWriter	512
References	512

Chapter 21: Using Boundary-Scan and BSDL Files

Summary	513
Boundary-Scan Overview	513
IEEE Standards	513
Boundary-Scan Functions	514
Boundary-Scan Tools	515
BSDL Files	515
BSDL File Composition	516
BSDL File Verification	518
Using BSDLAnno for Post-Configuration Boundary-Scan Behavior	518
Software Support	519
iMPACT	519
SVF Files	519
J Drive Engine for IEEE 1532 Programming	520
Using the BSCAN_SPARTAN3A Macro	520
Related Materials and References	521

About This Guide

This user guide provides guidance on how customers can use the architectural features of each platform in the Spartan®-3 generation FPGAs: the Extended Spartan-3A family, which includes the Spartan-3A, Spartan-3AN, and Spartan-3A DSP platforms, and the Spartan-3 and Spartan-3E families. By combining documentation for these families, similarities and differences are easier to learn, and less material needs to be duplicated in multiple sources. For an overview of how these platforms compare, see “[Section I: Designing with Spartan-3 Generation FPGAs](#)”.

This user guide includes much of the information previously included in Module 2 (Functional Description) of the Spartan FPGA data sheets and in device application notes. The data sheets should still be referenced for the platform-specific DC and Switching Characteristics (located in Module 3) and the pinout information (located in Module 4). All features of the Spartan-3E and Extended Spartan-3A families are described in this user guide, but some differences in the Spartan-3 family, such as DCI or the clocking structure, are discussed in Module 2 of the Spartan-3 FPGA data sheet or in the device application notes.

Information on the configuration features of the Spartan-3 generation FPGAs is located in [UG332](#), the *Spartan-3 Generation Configuration User Guide*. Information on using the internal SPI flash of the Spartan-3AN FPGAs is located in [UG333](#), *Spartan-3AN FPGA In-System Flash User Guide*. Together with the device specifications in the data sheets, these user guides provide complete documentation on the Spartan-3 generation architecture.

Check for updates on xilinx.com at:

<http://www.xilinx.com/support/documentation/spartan-3a.htm>. To get an automatic notification of any updates to this document, click the “Subscribe to Alerts” link on the top of the page.

Guide Contents

This user guide contains the following chapters:

- [“Section I: Designing with Spartan-3 Generation FPGAs”](#)
 - ◆ [Chapter 1, “Overview”](#)
 - ◆ [Chapter 2, “Using Global Clock Resources”](#)
 - ◆ [Chapter 3, “Using Digital Clock Managers \(DCMs\)”](#)
 - ◆ [Chapter 5, “Using Block RAM”](#)
 - ◆ [Chapter 4, “Using Configurable Logic Blocks \(CLBs\)”](#)
 - ◆ [Chapter 6, “Using Look-Up Tables as Distributed RAM”](#)
 - ◆ [Chapter 7, “Using Look-Up Tables as Shift Registers \(SRL16\)”](#)
 - ◆ [Chapter 8, “Using Dedicated Multiplexers”](#)

- ◆ Chapter 9, “Using Carry and Arithmetic Logic”
- ◆ Chapter 10, “Using I/O Resources”
- ◆ Chapter 11, “Using Embedded Multipliers”
- ◆ Chapter 12, “Using Interconnect”
- “Section II: Design Software”
 - ◆ Chapter 13, “Using ISE Design Tools”
 - ◆ Chapter 14, “Using IP Cores”
 - ◆ Chapter 15, “Embedded Processing and Control Solutions”
- “Section III: PCB Design Considerations”
 - ◆ Chapter 16, “Packages and Pinouts”
 - ◆ Chapter 17, “Package Drawings”
 - ◆ Chapter 18, “Powering Spartan-3 Generation FPGAs”
 - ◆ Chapter 19, “Power Management Solutions”
 - ◆ Chapter 20, “Using IBIS Models”
 - ◆ Chapter 21, “Using Boundary-Scan and BSDL Files”

Additional Resources

To find additional documentation, see the Xilinx website at:

<http://www.xilinx.com/support/documentation/index.htm>.

To search the Answer Database of silicon, software, and IP questions and answers, or to create a technical support WebCase, see the Xilinx website at:

<http://www.xilinx.com/support>.

Conventions

This document uses the following conventions. An example illustrates each convention.

Typographical

The following typographical conventions are used in this document:

Convention	Meaning or Use	Example
Courier font	Messages, prompts, and program files that the system displays	speed grade: - 100
Courier bold	Literal commands that you enter in a syntactical statement	ngdbuild <i>design_name</i>
Helvetica bold	Commands that you select from a menu	File →Open
	Keyboard shortcuts	Ctrl+C

Convention	Meaning or Use	Example
Italic font	Variables in a syntax statement for which you must supply values	<code>ngdbuild <i>design_name</i></code>
	References to other manuals	See the <i>Development System Reference Guide</i> for more information.
	Emphasis in text	If a wire is drawn so that it overlaps the pin of a symbol, the two nets are <i>not</i> connected.
Square brackets []	An optional entry or parameter. However, in bus specifications, such as <code>bus [7:0]</code> , they are required.	<code>ngdbuild [<i>option_name</i>] <i>design_name</i></code>
Braces { }	A list of items from which you must choose one or more	<code>lowpwr = {on off}</code>
Vertical bar	Separates items in a list of choices	<code>lowpwr = {on off}</code>
Vertical ellipsis .	Repetitive material that has been omitted	IOB #1: Name = QOUT' IOB #2: Name = CLKIN' . . .
Horizontal ellipsis ...	Repetitive material that has been omitted	<code>allow block <i>block_name loc1 loc2... locn</i>;</code>

Online Document

The following conventions are used in this document:

Convention	Meaning or Use	Example
Blue text	Cross-reference link to a location in the current document	See the section “ Additional Resources ” for details. Refer to “ Title Formats ” in Chapter 1 for details.
Blue, underlined text	Hyperlink to a website (URL)	Go to http://www.xilinx.com for the latest speed files.



Section I: Designing with Spartan-3 Generation FPGAs

“Overview”

“Using Global Clock Resources”

“Using Digital Clock Managers (DCMs)”

“Using Block RAM”

“Using Configurable Logic Blocks (CLBs)”

“Using Look-Up Tables as Distributed RAM”

“Using Look-Up Tables as Shift Registers (SRL16)”

“Using Dedicated Multiplexers”

“Using Carry and Arithmetic Logic”

“Using I/O Resources”

“Using Embedded Multipliers”

“Using Interconnect”

Overview

This chapter provides an overview of the Spartan®-3 generation platforms. Refer to the links in [Table 1-1](#) for more information.

Table 1-1: Spartan-3 Generation Platforms

Family	Platform	Product Information	Technical Documentation
Extended Spartan-3A	Spartan-3A DSP FPGAs	www.xilinx.com/spartan3adsp	www.xilinx.com/support/documentation/spartan-3a_dsp.htm
	Spartan-3AN FPGAs	www.xilinx.com/spartan3an	www.xilinx.com/support/documentation/spartan-3an.htm
	Spartan-3A FPGAs	www.xilinx.com/spartan3a	www.xilinx.com/support/documentation/spartan-3a.htm
Spartan-3E	Spartan-3E FPGAs	www.xilinx.com/spartan3e	www.xilinx.com/support/documentation/spartan-3e.htm
Spartan-3	Spartan-3 FPGAs	www.xilinx.com/spartan3	www.xilinx.com/support/documentation/spartan-3.htm

Introduction

The Spartan-3 generation of FPGAs includes the Extended Spartan-3A family (Spartan-3A, Spartan-3AN, and Spartan-3A DSP platforms), along with the earlier Spartan-3 and Spartan-3E families. These families of Field Programmable Gate Arrays (FPGAs) are specifically designed to meet the needs of high volume, cost-sensitive electronic applications, such as consumer products. The Spartan-3 generation includes 25 devices offering densities ranging from 50,000 to 5 million system gates, as shown in [Table 1-5](#) through [Table 1-7](#).

The Spartan-3 platform was the industry's first 90 nm FPGA, delivering more functionality and bandwidth per dollar than was previously possible, setting new standards in the programmable logic industry. The Spartan-3E platform builds on the success of the earlier Spartan-3 platform by adding new features that improve system performance and reduce the cost of configuration. The Extended Spartan-3A family builds on the success of the earlier Spartan-3E platform by further enhancing configuration and reducing power to provide the lowest total cost. The Spartan-3AN platform provides the additional benefits of non-volatility and large amounts of on-board user flash. The Spartan-3A DSP platform extends the density range and adds resources often required in digital signal processing (DSP) applications.

Because of their exceptionally low cost, Spartan-3 generation FPGAs are ideally suited to a wide range of consumer electronics applications, including broadband access, home networking, display/projection, and digital television equipment.

The Spartan-3 generation FPGAs provide a superior alternative to mask-programmed ASICs. FPGAs avoid the high initial cost, the lengthy development cycles, and the inherent inflexibility of conventional ASICs. Also, FPGA programmability permits design upgrades in the field with no hardware replacement necessary, an impossibility with ASICs.

Spartan-3 Generation Families

Extended Spartan-3A family:

- Lowest total cost
 - ◆ Spartan-3A Platform
 - Ideal for bridging, differential signaling, and memory interfacing
 - ◆ Spartan-3A DSP Platform
 - Higher density option in Extended Spartan-3A family
 - DSP48A resources for digital signal processing (DSP) applications
 - ◆ Spartan-3AN Platform
 - Non-volatile
 - Ideal for space-constrained applications

Spartan-3E Family

Spartan-3 Family

Table 1-2: Spartan-3 Generation Platform Selection

Application/Function	Spartan-3 Generation Platform				
	Spartan-3 FPGAs	Spartan-3E FPGAs	Spartan-3A FPGAs	Spartan-3AN FPGAs	Spartan-3A DSP FPGAs
Basic Design Characteristics					
More than 1.5M system gates	+				+
500 or less I/O pins	+	+	++	++	++
More than 500 I/O pins	+				
Embedded Processing					
32-bit MicroBlaze Processor	+	+	++	++	++
8-bit PicoBlaze Controller	+	+	+	+	+
DDR SDRAM Memory Interfaces					
DDR SDRAM	+	+	++	++	++
DDR2 SDRAM	++	+	++	++	++
Differential I/O					
LVDS	+	++	+++	+++	+++
RSDS	+	++	+++	+++	+++
miniLVDS		+	++	++	++
TMDS/PPDS			+	+	+
PCI®/PCI Express® Interface					
33 MHz PCI Interface	+	+	++	++	++
66 MHz PCI Interface		+	++	++	++
PCI Express PIPE Interface	+	+	+	+	+

Table 1-2: Spartan-3 Generation Platform Selection (Continued)

Application/Function	Spartan-3 Generation Platform				
	Spartan-3 FPGAs	Spartan-3E FPGAs	Spartan-3A FPGAs	Spartan-3AN FPGAs	Spartan-3A DSP FPGAs
Power Management			+	+	+
I/O Capabilities					
Hot Swap	+	+	++	++	++
High Output Drive Current	+		++	++	++
Programmable Input Delay	+	++	+++	+++	+++
3.3V-only Applications	+	+	++	++	++
Clocking Resources					
Digital Clock Managers (DCMs)	+	++	++	++	++
Low-Skew Global Clocks	+	++	++	++	++
FPGA Configuration					
Platform Flash PROM	+	+	+	+	+
SPI Flash Configuration		+	+	+	+
Parallel Flash Configuration		+	+	+	+
MultiBoot		+	+	+	+
Low-Cost Design Protection		+	++	+++	++
Non-Volatile				+	
Integrated User Flash				+	
Digital Signal Processing (DSP)					
18x18 Hardware Multipliers	+	++	++	++	+++
DSP48A					+
Block RAM Registers	+	+	++	++	+++

Notes:

1. + = supported, ++ = better, +++ = best.

Extended Spartan-3A Family Features

- Very low cost, high-performance logic solution for high-volume consumer-oriented applications
- Proven advanced 90-nanometer process technology
- Dual-range V_{CCAUX} supply at 2.5V or 3.3V simplifies the power supply design and eliminates one power rail
- Suspend mode reduces system power consumption
 - ◆ Retains all design state and FPGA configuration data
 - ◆ Activated with SUSPEND pin
 - ◆ FPGA drops to minimal quiescent power
 - ◆ I/Os have user-controlled behavior
 - ◆ Quick wake-up time
 - ◆ AWAKE pin indicates present status
- 3.3V $\pm 10\%$ supply compatibility
- 4.6V maximum input voltage
- Full hot swap compliance
 - ◆ No connector sequencing required
 - ◆ FPGA I/O can be driven externally before V_{CCO} powers up without damage to the device and without disturbing the external bus
 - ◆ FPGA does not drive out before or during power-up sequence except for dedicated pins
- Multi-voltage, multi-standard SelectIO™ interface pins
 - ◆ Up to 519 I/O pins or 227 differential signal pairs
 - ◆ LVCMOS, LVTTTL, HSTL, and SSTL single-ended signal standards
 - ◆ 3.3V, 2.5V, 1.8V, 1.5V, and 1.2V signaling
 - ◆ Up to 24 mA output drive
 - ◆ 622+ Mb/s data transfer rate per I/O
 - ◆ True LVDS, RSDS, mini-LVDS, PPDS, HSTL/SSTL differential I/O
 - ◆ Double Data Rate (DDR) support with clock alignment
 - ◆ DDR/DDR2 SDRAM support up to 400 Mb/s
 - ◆ Programmable input delays for finer timing control
- Abundant, flexible logic resources
 - ◆ Densities up to 53,712 logic cells
 - ◆ Optional SRL16 shift register or distributed RAM support
 - ◆ Efficient wide multiplexers, wide logic
 - ◆ Fast look-ahead carry logic
 - ◆ Dedicated 18 x 18 multipliers with optional pipeline for higher performance
 - ◆ IEEE 1149.1/1532 JTAG programming/debug port
- Hierarchical SelectRAM™ memory architecture
 - ◆ Up to 2,268 Kbits of fast block RAM with byte write enables for efficient use in processor applications

- ◆ Up to 373 Kbits of efficient distributed RAM
- Up to eight Digital Clock Managers (DCMs)
 - ◆ Clock skew elimination (delay locked loop)
 - ◆ Frequency synthesis, multiplication, division
 - ◆ High-resolution phase shifting
 - ◆ Wide frequency range (5 MHz to over 300 MHz)
- Eight global clocks, plus abundant low-skew routing
 - ◆ Eight additional clocks per each half of the device
 - ◆ Additional clock inputs for pinout flexibility and differential clocks
- Configuration interface to low-cost Xilinx [Platform Flash](#) with JTAG
- Configuration interface to industry-standard PROMs
 - ◆ Low-cost, space-saving SPI serial Flash PROM
 - ◆ x8 or x8/x16 parallel NOR Flash PROM
- Configuration watchdog timer automatically recovers from configuration errors
- Unique ID (Device DNA) in each device useful for copy protection algorithms
 - ◆ Device DNA authentication restricts copying
- MultiBoot automatic reconfiguration between two files
- Complete Xilinx [ISE®](#) and [WebPACK™](#) development system support
- Low-cost Starter Kit development systems and advanced demo boards
- 32-bit [MicroBlaze™](#) and 8-bit [PicoBlaze™](#) embedded processor cores
- Fully compliant 32-/64-bit 66 MHz [PCI](#) support
- [PCI Express PIPE endpoint](#) and other IP cores
- Supported by major EDA partners
- Low-cost QFP and BGA packaging options
 - ◆ Common footprints support easy density migration within each platform
 - ◆ Pb-free (RoHS) packaging options
- [Automotive XA platform](#) variants

Spartan-3AN Platform Additional Features

- Integrated robust configuration memory
 - ◆ Saves board space
 - ◆ Improves ease-of-use
 - ◆ Simplifies design
 - ◆ Reduces support issues
- Plentiful amounts of non-volatile memory available to the user
 - ◆ Up to 11+ Mb available
 - ◆ MultiBoot support
 - ◆ Embedded processing and code shadowing
 - ◆ Scratchpad memory
- Robust 100K Flash memory program/erase cycles per page

- 20 years Flash memory data retention
- Security features provide bitstream anti-cloning protection
 - ◆ Buried configuration interface enhances Device DNA authentication
 - ◆ Flash memory sector protection and lockdown

Spartan-3A DSP Platform Additional Features

- Optimized for low-cost DSP systems
 - ◆ High logic capacity, 33K to 47K look-up tables (LUTs)
 - ◆ Increased block RAM of 85 to 126 blocks and 1.5 to 2.3 Mbits of memory
- High-performance DSP48A blocks
 - ◆ Based on Virtex®-4 FPGA DSP block architecture
 - ◆ Full multiply-accumulate functionality
 - ◆ Integrated 48-bit post adder
 - ◆ Integrated 18-bit pre-adder for symmetric FIR filters
 - ◆ Independent routing
 - ◆ 250 MHz operation
- Improved block RAM
 - ◆ Internal output register
 - ◆ 250 MHz operation

Spartan-3 Generation Resources

Table 1-3 through Table 1-7 show the number of resources available in each member of the Spartan-3A DSP, Spartan-3AN, Spartan-3A, Spartan-3E, and Spartan-3 platforms.

Note: By convention, 1K bits is equivalent to 1,024 bits.

Table 1-3: Summary of Spartan-3A DSP FPGA Attributes

Device	System Gates	Equivalent Logic Cells	CLB Array (One CLB = Four Slices)				Distributed RAM Bits	Block RAM Bits	DSP48As	DCMs	Maximum User I/O	Maximum Differential I/O Pairs
			Rows	Columns	Total CLBs	Total Slices						
XC3SD1800A	1800K	37,440	88	48	4,160	16,640	260K	1,512K	84	8	519	227
XC3SD3400A	3400K	53,712	104	58	5,968	23,872	373K	2,268K	126	8	469	213

Table 1-4: Summary of Spartan-3AN FPGA Attributes

Device	System Gates	Equivalent Logic Cells	CLBs	Slices	Distributed RAM Bits	Block RAM Bits	Dedicated Multipliers	DCMs	Maximum User I/O	Maximum Differential I/O Pairs	In-System Flash bits
XC3S50AN	50K	1,584	176	704	11K	54K	3	2	108	50	1M
XC3S200AN	200K	4,032	448	1,792	28K	288K	16	4	195	90	4M
XC3S400AN	400K	8,064	896	3,584	56K	360K	20	4	311	142	4M
XC3S700AN	700K	13,248	1472	5,888	92K	360K	20	8	372	165	8M
XC3S1400AN	1400K	25,344	2816	11,264	176K	576K	32	8	502	227	16M

Table 1-5: Summary of Spartan-3A FPGA Attributes

Device	System Gates	Equivalent Logic Cells	CLB Array (One CLB = Four Slices)				Distributed RAM Bits	Block RAM Bits	Dedicated Multipliers	DCMs	Maximum User I/O	Maximum Differential I/O Pairs
			Rows	Columns	Total CLBs	Total Slices						
XC3S50A	50K	1,584	16	12	176	704	11K	54K	3	2	144	64
XC3S200A	200K	4,032	32	16	448	1,792	28K	288K	16	4	248	112
XC3S400A	400K	8,064	40	24	896	3,584	56K	360K	20	4	311	142
XC3S700A	700K	13,248	48	32	1472	5,888	92K	360K	20	8	372	165
XC3S1400A	1400K	25,344	72	40	2816	11,264	176K	576K	32	8	502	227

Table 1-6: Summary of Spartan-3E FPGA Attributes

Device	System Gates	Equivalent Logic Cells	CLB Array (One CLB = Four Slices)				Distributed RAM Bits	Block RAM Bits	Dedicated Multipliers	DCMs	Maximum User I/O	Maximum Differential I/O Pairs
			Rows	Columns	Total CLBs	Total Slices						
XC3S100E	100K	2,160	22	16	240	960	15K	72K	4	2	108	40
XC3S250E	250K	5,508	34	26	612	2,448	38K	216K	12	4	172	68
XC3S500E	500K	10,476	46	34	1,164	4,656	73K	360K	20	4	232	92
XC3S1200E	1200K	19,512	60	46	2,168	8,672	136K	504K	28	8	304	124
XC3S1600E	1600K	33,192	76	58	3,688	14,752	231K	648K	36	8	376	156

Table 1-7: Summary of Spartan-3 FPGA Attributes

Device	System Gates	Equivalent Logic Cells	CLB Array (One CLB = Four Slices)				Distributed RAM Bits	Block RAM Bits	Dedicated Multipliers	DCMs	Maximum User I/O	Maximum Differential I/O Pairs
			Rows	Columns	Total CLBs	Total Slices						
XC3S50	50K	1,728	16	12	192	768	12K	72K	4	2	124	56
XC3S200	200K	4,320	24	20	480	1,920	30K	216K	12	4	173	76
XC3S400	400K	8,064	32	28	896	3,584	56K	288K	16	4	264	116
XC3S1000	1000K	17,280	48	40	1,920	7,680	120K	432K	24	4	391	175
XC3S1500	1500K	29,952	64	52	3,328	13,312	208K	576K	32	4	487	221
XC3S2000	2000K	46,080	80	64	5,120	20,480	320K	720K	40	4	565	270
XC3S4000	4000K	62,208	96	72	6,912	27,648	432K	1,728K	96	4	633	300
XC3S5000	5000K	74,880	104	80	8,320	33,280	520K	1,872K	104	4	633	300

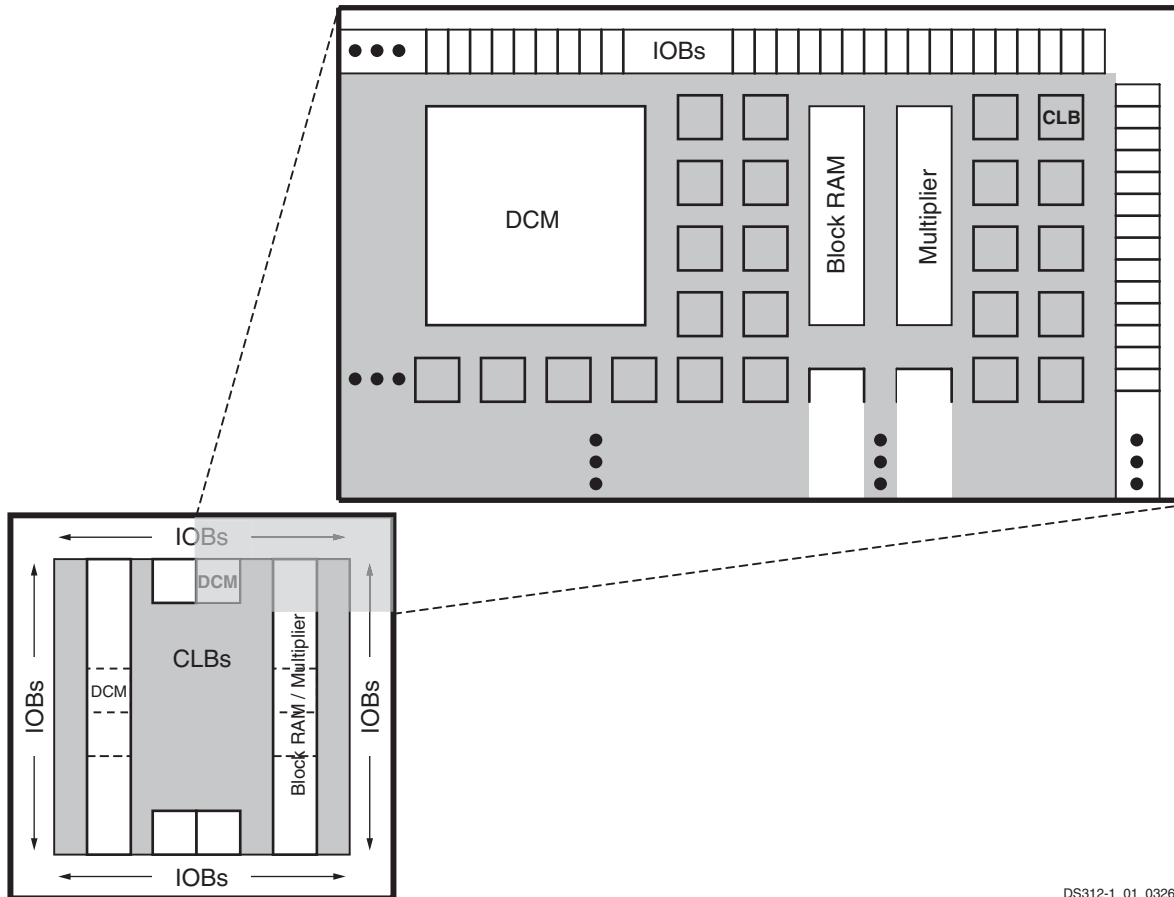
Architectural Overview

The Spartan-3 generation architecture consists of five fundamental programmable functional elements:

- **Configurable Logic Blocks (CLBs)** contain flexible Look-Up Tables (LUTs) that implement logic plus storage elements used as flip-flops or latches. CLBs perform a wide variety of logical functions as well as store data.
- **Input/Output Blocks (IOBs)** control the flow of data between the I/O pins and the internal logic of the device. IOBs support bidirectional data flow plus 3-state operation. Supports a variety of signal standards, including several high-performance differential standards. Double Data-Rate (DDR) registers are included.
- **Block RAM** provides data storage in the form of 18-Kbit dual-port blocks.
- **Multiplier Blocks** accept two 18-bit binary numbers as inputs and calculate the product. The Spartan-3A DSP platform includes special DSP multiply-accumulate blocks.
- **Digital Clock Manager (DCM) Blocks** provide self-calibrating, fully digital solutions for distributing, delaying, multiplying, dividing, and phase-shifting clock signals.

These elements are organized as shown in [Figure 1-1](#), using the Spartan-3A array as an example. A dual ring of staggered IOBs surrounds a regular array of CLBs in the Spartan-3 and Extended Spartan-3A family. The Spartan-3E family has a single ring of inline IOBs. Each block RAM column consists of several 18-Kbit RAM blocks. Each block RAM is associated with a dedicated multiplier. The DCMs are positioned with two at the top and two at the bottom of the device, plus additional DCMs on the sides for the larger devices.

The Spartan-3 generation features a rich network of traces that interconnect all five functional elements, transmitting signals among them. Each functional element has an associated switch matrix that permits multiple connections to the routing.



DS312-1_01_032606

Figure 1-1: Spartan-3A Platform Architecture

Configuration

Spartan-3 generation FPGAs are programmed by loading configuration data into robust, reprogrammable, static CMOS configuration latches (CCLs) that collectively control all functional elements and routing resources. The FPGA's configuration data is stored externally in a PROM or some other non-volatile medium, either on or off the board. The Spartan-3AN platform contains its own internal SPI flash configuration memory. After applying power, the configuration data is written to the FPGA using one of several different modes:

- Master Serial from a Xilinx Platform Flash PROM
- Serial Peripheral Interface (SPI) from an industry-standard SPI serial Flash
 - ◆ Spartan-3E and Extended Spartan-3A FPGAs only
- Byte Peripheral Interface (BPI) from an industry-standard x8 or x8/x16 parallel NOR Flash
 - ◆ Spartan-3E and Extended Spartan-3A FPGAs only
- Slave Serial, typically downloaded from a processor
- Slave Parallel, typically downloaded from a processor
- Boundary Scan (JTAG), typically downloaded from a processor or system tester

I/O Capabilities

The Spartan-3 generation SelectIO interface supports many popular single-ended and differential standards, as shown in Table 1-8 and Table 1-9. Table 1-10 through Table 1-14 show the number of user I/Os as well as the number of differential I/O pairs available for each device/package combination for the Extended Spartan-3A, Spartan-3E, and Spartan-3 families, respectively. Some of the user I/Os are unidirectional input-only pins as indicated in the tables.

Table 1-8: Single-Ended I/O Standards

Standard	V _{CCO}	Class	Spartan-3 FPGAs	Spartan-3E FPGAs	Extended Spartan-3A FPGAs
LVCMOS	1.2V	-	up to 6 mA	2 mA	up to 6 mA
	1.5V	-	up to 12 mA	up to 6 mA	up to 12 mA
	1.8V	-	up to 16 mA	up to 8 mA	up to 16 mA
	2.5V	-	up to 24 mA	up to 12 mA	up to 24 mA
	3.3V	-	up to 24 mA	up to 16 mA	up to 24 mA
LVTTL	3.3V	-	up to 24 mA	up to 16 mA	up to 24 mA
PCI33	3.0V	-	√	√	√
	3.3V	-	√	√	√
PCI66	3.0V	-		√	√
	3.3V	-		√	√
SSTL	1.8V	I	√	√	√
		II	√		√
	2.5V	I	√	√	√
		II	√		√
	3.3V	I			√
		II			√
HSTL	1.5V	I	√		√
		III	√		√
	1.8V	I	√	√	√
		II	√		√
		III	√	√	√
GTL	-	-	√		
	-	Plus	√		
DCI option	-	-	√		

Table 1-9: Differential I/O Standards

Standard	V _{CCO}	Spartan-3 FPGAs	Spartan-3E FPGAs	Extended Spartan-3A FPGAs
LVDS	2.5V	√	√	√
	3.3V			√
BLVDS	2.5V	√	√	√
MINI_LVDS	2.5V		√	√
	3.3V			√
LVPECL	2.5V	√	√	√
	3.3V			√
RSDS	2.5V	√	√	√
	3.3V			√
TMDS	2.5V			
	3.3V			√
PPDS	2.5V			√
	3.3V			√
LDT	2.5V	√		
LVDSEXT	2.5V	√		
DIFF_SSTL	-	√	√	√
DIFF_HSTL	-	√	√	√
DIFF_TERM	-		√	√

Table 1-10: Spartan-3A DSP Available User I/Os and Differential (Diff) I/O Pairs

Device	CS484 CSG484		FG676 FGG676	
	User	Diff	User	Diff
XC3SD1800A	309 <i>(56)</i>	140 <i>(78)</i>	519 <i>(110)</i>	227 <i>(131)</i>
XC3SD3400A	309 <i>(56)</i>	140 <i>(78)</i>	469 <i>(60)</i>	213 <i>(117)</i>

Notes:

- The number in **bold** indicates the maximum number of I/O and input-only pins. The number in *italics* indicates the number of input-only pins. The differential (Diff) input-only pin count includes both differential pairs on input-only pins and differential pairs on I/O pins within I/O banks that are restricted to differential inputs.

Table 1-11: Spartan-3AN Available User I/Os and Differential (Diff) I/O Pairs

Device	TQG144		FTG256		FGG400		FGG484		FGG676	
	User	Diff	User	Diff	User	Diff	User	Diff	User	Diff
XC3S50AN	108 (7)	50 (24)	-	-	-	-	-	-	-	-
XC3S200AN	-	-	195 (35)	90 (50)	-	-	-	-	-	-
XC3S400AN	-	-	-	-	311 (63)	142 (78)	-	-	-	-
XC3S700AN	-	-	-	-	-	-	372 (84)	165 (93)	-	-
XC3S1400AN	-	-	-	-	-	-	-	-	502 (94)	227 (131)

Notes:

1. The number in **bold** indicates the maximum number of I/O and input-only pins. The number in *italics* indicates the number of input-only pins. The differential (Diff) input-only pin count includes both differential pairs on input-only pins and differential pairs on I/O pins within I/O banks that are restricted to differential inputs.
2. Spartan-3AN FPGAs are available in Pb-free packaging options. The Pb-free packages include a 'G' character in the ordering code. Leaded (non-Pb-free) packages might be available for selected devices, with the same pinout and without the 'G' in the ordering code. Contact Xilinx sales for more information.

Table 1-12: Spartan-3A Available User I/Os and Differential (Diff) I/O Pairs

Device	VQ100 VQG100		TQ144 TQG144		FT256 FTG256		FG320 FGG320		FG400 FGG400		FG484 FGG484		FG676 FGG676	
	User	Diff	User	Diff	User	Diff	User	Diff	User	Diff	User	Diff	User	Diff
XC3S50A	68 <i>(13)</i>	60 <i>(24)</i>	108 <i>(7)</i>	50 <i>(24)</i>	144 <i>(32)</i>	64 <i>(32)</i>	-	-	-	-	-	-	-	-
XC3S200A	68 <i>(13)</i>	60 <i>(24)</i>	-	-	195 <i>(35)</i>	90 <i>(50)</i>	248 <i>(56)</i>	112 <i>(64)</i>	-	-	-	-	-	-
XC3S400A	-	-	-	-	195 <i>(35)</i>	90 <i>(50)</i>	251 <i>(59)</i>	112 <i>(64)</i>	311 <i>(63)</i>	142 <i>(78)</i>	-	-	-	-
XC3S700A	-	-	-	-	161 <i>(13)</i>	74 <i>(36)</i>	-	-	311 <i>(63)</i>	142 <i>(78)</i>	372 <i>(84)</i>	165 <i>(93)</i>	-	-
XC3S1400A	-	-	-	-	161 <i>(13)</i>	74 <i>(36)</i>	-	-	-	-	375 <i>(87)</i>	165 <i>(93)</i>	502 <i>(94)</i>	227 <i>(131)</i>

Notes:

- The number in **bold** indicates the maximum number of I/O and input-only pins. The number in *italics* indicates the number of input-only pins. The differential (Diff) input-only pin count includes both differential pairs on input-only pins and differential pairs on I/O pins within I/O banks that are restricted to differential inputs.

Table 1-13: Spartan-3E Available User I/Os and Differential (Diff) I/O Pairs

Device	VQ100 VQG100		CP132 CPG132		TQ144 TQG144		PQ208 PQG208		FT256 FTG256		FG320 FGG320		FG400 FGG400		FG484 FGG484	
	User	Diff	User	Diff	User	Diff	User	Diff	User	Diff	User	Diff	User	Diff	User	Diff
XC3S100E	66 <i>(7)</i>	30 <i>(2)</i>	83 <i>(11)</i>	35 <i>(2)</i>	108 <i>(28)</i>	40 <i>(4)</i>	-	-	-	-	-	-	-	-	-	-
XC3S250E	66 <i>(7)</i>	30 <i>(2)</i>	92 <i>(7)</i>	41 <i>(2)</i>	108 <i>(28)</i>	40 <i>(4)</i>	158 <i>(32)</i>	65 <i>(5)</i>	172 <i>(40)</i>	68 <i>(8)</i>	-	-	-	-	-	-
XC3S500E	66 <i>(7)</i>	30 <i>(2)</i>	92 <i>(7)</i>	41 <i>(2)</i>	-	-	158 <i>(32)</i>	65 <i>(5)</i>	190 <i>(41)</i>	77 <i>(8)</i>	232 <i>(56)</i>	92 <i>(12)</i>	-	-	-	-
XC3S1200E	-	-	-	-	-	-	-	-	190 <i>(40)</i>	77 <i>(8)</i>	250 <i>(56)</i>	99 <i>(12)</i>	304 <i>(72)</i>	124 <i>(20)</i>	-	-
XC3S1600E	-	-	-	-	-	-	-	-	-	-	250 <i>(56)</i>	99 <i>(12)</i>	304 <i>(72)</i>	124 <i>(20)</i>	376 <i>(82)</i>	156 <i>(21)</i>

Notes:

- The number in **bold** indicates the maximum number of I/O and input-only pins. The number in *italics* indicates the number of input-only pins.

Table 1-14: Spartan-3 Available User I/Os and Differential (Diff) I/O Pairs

Device	VQ100 VQG100		TQ144 TQG144		PQ208 PQG208		FT256 FTG256		FG320 FGG320		FG456 FGG456		FG676 FGG676		FG900 FGG900	
	User	Diff	User	Diff	User	Diff	User	Diff	User	Diff	User	Diff	User	Diff	User	Diff
XC3S50	63	29	97	46	124	56	-	-	-	-	-	-	-	-	-	-
XC3S200	63	29	97	46	141	62	173	76	-	-	-	-	-	-	-	-
XC3S400	-	-	97	46	141	62	173	76	221	100	264	116	-	-	-	-
XC3S1000	-	-	-	-	-	-	173	76	221	100	333	149	391	175	-	-
XC3S1500	-	-	-	-	-	-	-	-	221	100	333	149	487	221	-	-
XC3S2000	-	-	-	-	-	-	-	-	-	-	333	149	489	221	565	270
XC3S4000	-	-	-	-	-	-	-	-	-	-	-	-	489	221	633	300
XC3S5000	-	-	-	-	-	-	-	-	-	-	-	-	489	221	633	300

Package Marking

Figure 1-2 provides a top marking example for a Spartan-3A FPGA in the quad-flat packages. Figure 1-3 shows the top marking for a Spartan-3A FPGA in a BGA package. The markings for the BGA packages are nearly identical to those for the quad-flat packages, except that the marking is rotated with respect to the ball A1 indicator.

On Spartan-3E and Extended Spartan-3A family FPGAs, the “5C” and “4I” part combinations can be dual marked as “5C/4I”.

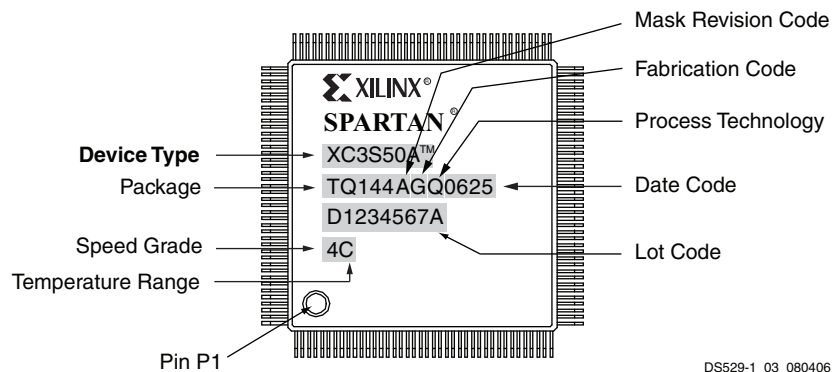


Figure 1-2: Spartan-3A QFP Package Marking Example

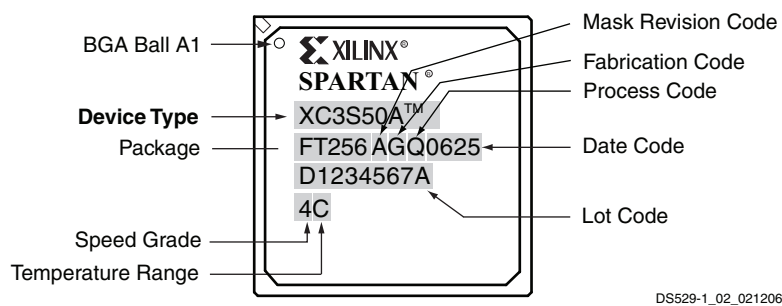
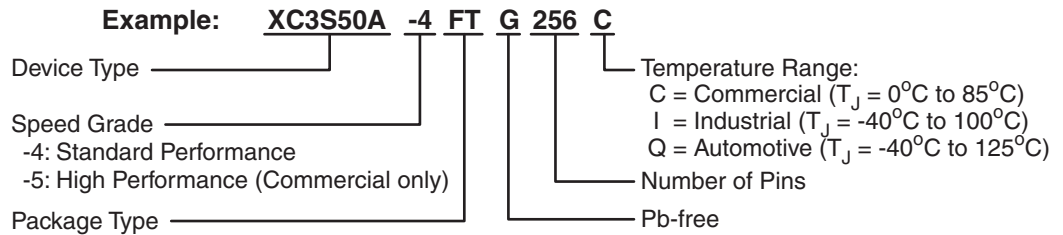


Figure 1-3: Spartan-3A BGA Package Marking Example

Ordering Information

Spartan-3 generation FPGAs are available in both standard and Pb-free packaging options for most device/package combinations. The Pb-free packages include a 'G' character in the ordering code. The automotive device part numbers begin with XA instead of XC, and the automotive temperature ranges include both the I Industrial range and the Q Automotive range between -40C and +125C.

Figure 1-4 shows an example of the part ordering code. The Industrial Temperature Range is available exclusively for the Standard (-4) Speed Grade. See Table 1-10 through Table 1-14 for specific part/package combinations, and see the [XA data sheets](#) for specific automotive ordering codes available.



UG331-c1_04_122208

Figure 1-4: Spartan-3A FPGA Ordering Example

Using Global Clock Resources

Summary

This chapter describes how to take advantage of the Spartan®-3 generation global clock resources, including the dedicated clock inputs, buffers, and routing. The clocking infrastructure provides a series of low-capacitance, low-skew interconnect lines well-suited to carrying high-frequency signals throughout the FPGA, minimizing clock skew and improving performance, and should be used for all clock signals. Third-party synthesis tools, and Xilinx synthesis and implementation tools, automatically use these resources for high-fanout clock signals.

This chapter focuses on the global clock resources found in all Spartan-3 generation platforms, and the quadrant clock resources found in the Spartan-3E and Extended Spartan-3A families. The clock routing can be used in conjunction with the DCMs, which are discussed in more detail in [Chapter 3, “Using Digital Clock Managers \(DCMs\).”](#) For information on the special clock inputs used for configuration (CCLK) and Boundary-Scan (TCK), see [UG332, Spartan-3 Generation Configuration User Guide.](#)

Introduction

Each Spartan-3 generation FPGA device offers eight high-speed, low-skew global clock resources to optimize performance. These resources are used automatically by the Xilinx tools. Even if the clock rate is relatively slow, it is still important to use the global routing resources to eliminate any potential for timing hazards. It is important to understand how to define and best take advantage of these resources.

Global Clock Resource Differences between Spartan-3 Generation Families

The Spartan-3E and Extended Spartan-3A family FPGAs have identical global clock resources, with eight global clock inputs and an additional eight clocks on the left and right sides of the device. The original Spartan-3 family offers only the eight global clock inputs. Although the clock resources and routing are similar, there will be timing differences between each platform and between different densities within a platform. This chapter focuses on the architecture of the Spartan-3E and Extended Spartan-3A families. The Spartan-3 family offers a simpler set of dedicated clock inputs and routing – for details, see the *Spartan-3 FPGA Family Data Sheet*.

Global Clock Resources

The global clock resources consist of three connected components: GCLK Global Clock input pads, BUFGMUX Global Clock Multiplexers, and Global Clock routing. See [Figure 2-1](#).

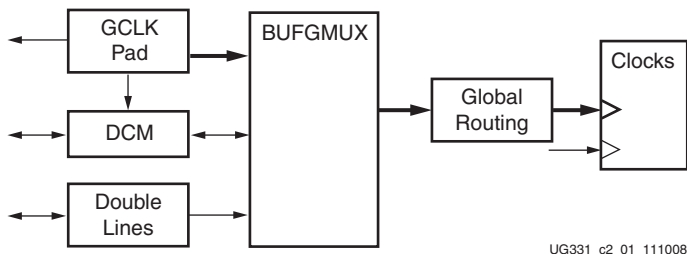
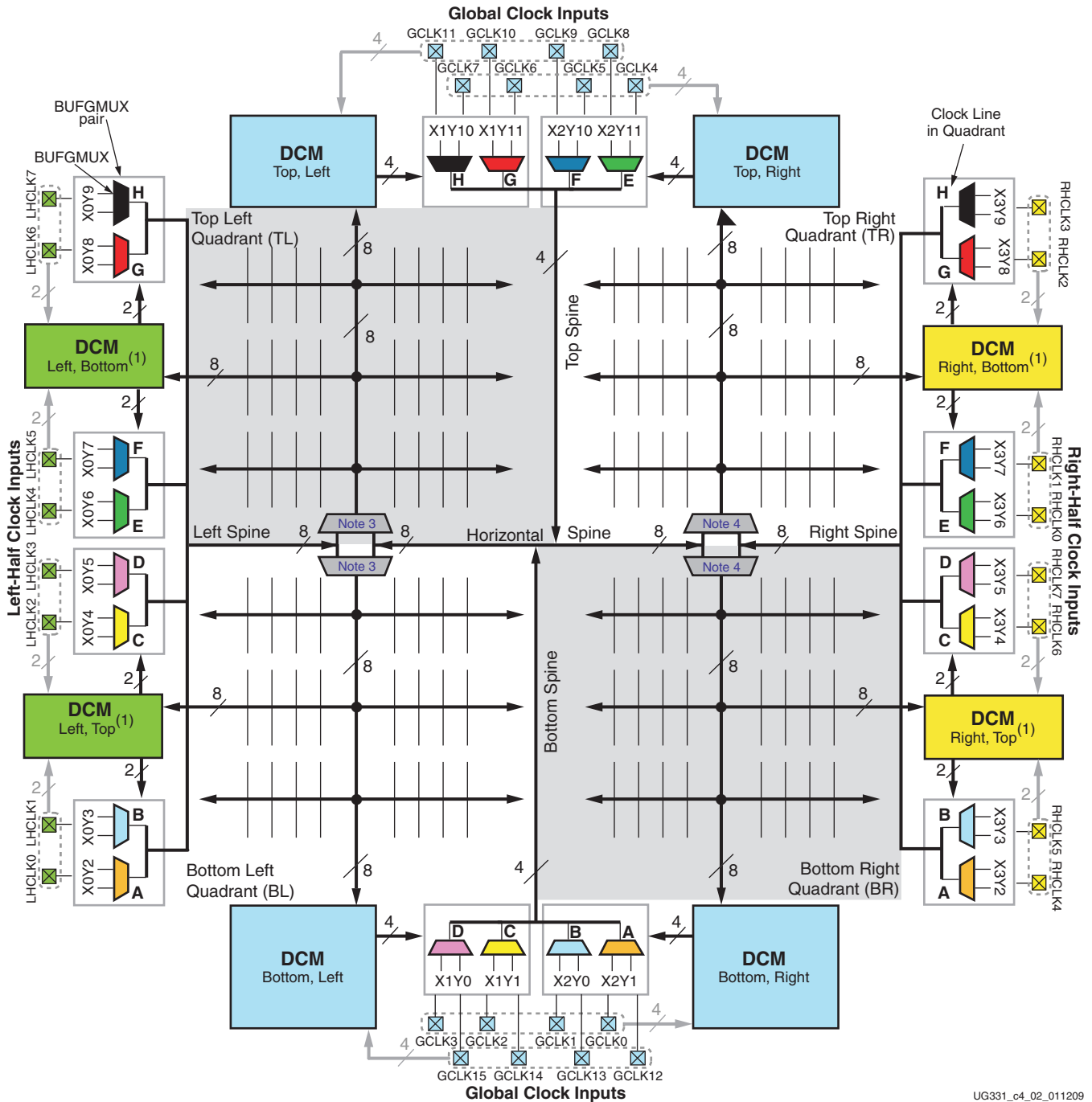


Figure 2-1: Overall View of Clock Connections

The primary clock path is shown with bold lines, with a dedicated clock pad (GCLK) driving a global clock buffer (BUFGMUX) that connects through global routing resources to clock inputs on flip-flops and other clocked elements. The GCLK pads can be used as general-purpose I/O, and include the LHCLK and RHCLK inputs described later. A DCM can be inserted into the path between the clock pad and clock buffer to manipulate the clock, or the DCM can acquire the clock signal from general-purpose resources. Internally generated clocks can also be brought into a clock buffer through general purpose double lines (see [Figure 12-4](#)). The BUFGMUX can multiplex between two clock sources or be used as a simple BUFG clock buffer. The clock buffer can only drive the clock routing resources, which in turn can only drive clock inputs. However, clock inputs on flip-flops can also come from general-purpose routing, although their use should be limited due to higher skew.

Clocking Infrastructure

The detailed Spartan-3E and Extended Spartan-3A family clocking infrastructure is shown in [Figure 2-2](#).



UG331_c4_02_011209

Notes:

1. The diagram presents electrical connectivity. The diagram locations do not necessarily match the physical location on the device, although the coordinate locations shown are correct.
2. Number of DCMs and locations of these DCM varies for different device densities. See Table 2-1.
3. See Figure 2-12a, which shows how the eight clock lines are multiplexed on the left-hand side of the device.
4. See Figure 2-12b, which shows how the eight clock lines are multiplexed on the right-hand side of the device.
5. For best direct clock inputs to a particular clock buffer, not a DCM, see Table 2-7.
6. For best direct clock inputs to a particular DCM, not a BUFGMUX, see Chapter 3, "Using Digital Clock Managers (DCMs)."

Figure 2-2: Spartan-3E and Extended Spartan-3A Internal Quadrant-Based Clock Structure

Table 2-1: Spartan-3E and Extended Spartan-3A Family DCM Location Designations

	Top, Left	Top, Right	Right, Bottom	Right, Top	Bottom, Right	Bottom, Left	Left, Top	Left, Bottom
Spartan-3A DSP FPGAs								
XC3SD1800A	X1Y3	X2Y3	X3Y1	X3Y2	X2Y0	X1Y0	X0Y2	X0Y1
XC3SD3400A	X1Y3	X2Y3	X3Y1	X3Y2	X2Y0	X1Y0	X0Y2	X0Y1
Spartan-3A/3AN FPGAs								
XC3S50A/AN	X0Y0	X1Y0	N/A	N/A	N/A	N/A	N/A	N/A
XC3S200A/AN	X0Y1	X1Y1	N/A	N/A	X1Y0	X0Y0	N/A	N/A
XC3S400A/AN	X0Y1	X1Y1	N/A	N/A	X1Y0	X0Y0	N/A	N/A
XC3S700A/AN	X1Y3	X2Y3	X3Y1	X3Y2	X2Y0	X1Y0	X0Y2	X0Y1
XC3S1400A/AN	X1Y3	X2Y3	X3Y1	X3Y2	X2Y0	X1Y0	X0Y2	X0Y1
Spartan-3E FPGAs								
XC3S100E	N/A	X0Y1	N/A	N/A	X0Y0	N/A	N/A	N/A
XC3S250E	X0Y1	X1Y1	N/A	N/A	X1Y0	X0Y0	N/A	N/A
XC3S500E	X0Y1	X1Y1	N/A	N/A	X1Y0	X0Y0	N/A	N/A
XC3S1200E	X1Y3	X2Y3	X3Y1	X3Y2	X2Y0	X1Y0	X0Y2	X0Y1
XC3S1600E	X1Y3	X2Y3	X3Y1	X3Y2	X2Y0	X1Y0	X0Y2	X0Y1

Clock Inputs

Clock pins accept external clock signals and connect directly to DCMs and BUFGMUX elements. Clock pins can also be used as general-purpose I/Os. Each Spartan-3E and Extended Spartan-3A family FPGA has:

- 16 Global Clock inputs (GCLK0 through GCLK15) located along the top and bottom edges of the FPGA
- 8 Right-Half Clock inputs (RHCLK0 through RHCLK7) located along the right edge
- 8 Left-Half Clock inputs (LHCLK0 through LHCLK7) located along the left edge

Clock input pins are used automatically when external signals drive clock buffers. The user can specify a particular pin using a LOC constraint in order to force a clock onto the left or right regional clocks, or to force a clock into a particular clock buffer and then into a desired clock routing resource. [Table 2-2, page 47](#) through [Table 2-4, page 49](#) show the clock inputs for each package with the Extended Spartan-3A, Spartan-3E, and Spartan-3 families, respectively.

Extended Spartan-3A Family Clock Inputs

The Extended Spartan-3A family clock inputs are all on bidirectional I/O pins, and none are shared with configuration functions. The VQ100 package offers only 23 global clock inputs. The XC3S50A/AN in the TQ144 package has only six global clock inputs on the bottom edge, with GCLK12 and GCLK13 not available in the package.

Table 2-2: Global Clock Input Pads for Extended Spartan-3A Family FPGAs

Pad	Bank	VQ100	TQ144	FT256	FG320	FG400	CS484	FG484	FG676
GCLK0	2	P43	P57	N9	U10	Y11	U12	AA12	Y14
GCLK1	2	P44	P59	P9	T10	V11	V12	AB12	AA14
GCLK2	2	N/A	P58	R9	V11	U11	AB13	V12	AF14
GCLK3	2	N/A	P60	T9	U11	V12	AA14	U12	AE14
GCLK4	0	P83	P124	C10	B10	D11	E12	C12	K14
GCLK5	0	P84	P126	D9	C9	E11	F11	E12	J14
GCLK6	0	P85	P125	C9	A10	A10	A9	A12	B14
GCLK7	0	P86	P127	A9	B9	C10	B9	A11	A14
GCLK8	0	P88	P129	C8	A8	D10	F10	B11	F13
GCLK9	0	P89	P131	D8	B7	E10	E11	C11	G13
GCLK10	0	N/A	P130	A8	B8	A9	A8	D11	B13
GCLK11	0	P90	P132	B8	C8	A8	B8	E11	C13
GCLK12	2	N/A	N/A	R7 ⁽¹⁾	U8	W9	Y11	U11	AA13
GCLK13	2	N/A	N/A	T7 ⁽¹⁾	V8	Y9	Y10	V11	Y13
GCLK14	2	P40	P54	P8	U9	V10	AA12	W12	AF13
GCLK15	2	P41	P55	T8	V9	W10	AB12	Y12	AE13
LHCLK0	3	P9	P12	G2	H3	J1	L6	L5	N6
LHCLK1	3	P10	P13	H1	J3	K2	M5	L3	N7
LHCLK2	3	P12	P15	H3	J2	K3	K1	K1	P1
LHCLK3	3	P13	P16	J3	J1	L3	L1	L1	P2
LHCLK4	3	N/A	P18	J2	J4	K4	L3	M1	P4
LHCLK5	3	N/A	P20	J1	K5	L5	M2	M2	P3
LHCLK6	3	P15	P19	K3	K2	L1	M6	M3	N9
LHCLK7	3	P16	P21	K1	K3	M1	N7	M4	P10
RHCLK0	1	P59	P83	K15	L18	M19	N18	M22	P21
RHCLK1	1	P60	P85	K14	K17	M20	M17	L22	P20
RHCLK2	1	P61	P87	K16	K18	L19	N21	L21	P26
RHCLK3	1	P62	P88	J16	J17	L18	M20	L20	P25
RHCLK4	1	N/A	P90	J14	J16	K18	L21	M18	P23
RHCLK5	1	N/A	P92	H14	K15	L17	L20	M20	N24
RHCLK6	1	P64	P91	H15	H18	K20	M18	K20	P18
RHCLK7	1	P65	P93	H16	H17	J20	L17	K19	N19

Notes:

1. N/A in XC3S50A.

Spartan-3E FPGA Clock Inputs

In the Spartan-3E family, avoid using global clock input GCLK1 as it is always shared with the M2 mode select pin. Global clock inputs GCLK0, GCLK2, GCLK3, GCLK12, GCLK13, GCLK14, and GCLK15 have shared functionality in some configuration modes, and all the RHCLK inputs share functionality with address lines for BPI mode. Make sure there is no conflict between the pin's use during and after configuration.

Also in the Spartan-3E family, some clock pad pins are input-only pins as indicated in the "Pinout Descriptions" section of the data sheet. These might be more useful as clock inputs because using them does not take away the use of an I/O pin.

Table 2-3: Global Clock Input Pads for Spartan-3E FPGAs

Pad	Bank	VQ100	CP132	TQ144	PQ208	FT256	FG320	FG400	FG484
GCLK0	2	P38	M6	P56	P80	T9	U10	P11	R12
GCLK1	2	P39	N6	P57	P81	R9	T10	P12	P12
GCLK2	2	P40	P6	P58	P82	P9	R10	V10	Y12
GCLK3	2	P41	P7	P59	P83	N9	P10	V11	W12
GCLK4	0	P83	A10	P122	P177	E9	D10	F11	F12
GCLK5	0	P84	C9	P123	P178	F9	E10	G11	E12
GCLK6	0	P85	B9	P125	P180	A10	B10	E11	B12
GCLK7	0	P86	A9	P126	P181	A9	A10	E10	C12
GCLK8	0	P88	B8	P128	P183	A8	B8	H10	H12
GCLK9	0	P89	C8	P129	P184	B8	B9	G10	H11
GCLK10	0	P90	A7	P130	P185	C8	C9	A10	C11
GCLK11	0	P91	B7	P131	P186	D8	D9	A9	B11
GCLK12	2	P32	M4	P50	P74	M8	N9	W9	V11
GCLK13	2	P33	N4	P51	P75	L8	M9	W10	U11
GCLK14	2	P35	M5	P53	P77	N8	U9	R10	R11
GCLK15	2	P36	N5	P54	P78	P8	V9	P10	T11
LHCLK0	3	P9	F3	P14	P22	H5	J5	K3	M5
LHCLK1	3	P10	F2	P15	P23	H6	J4	K2	L5
LHCLK2	3	P11	F1	P16	P24	H3	J1	K7	L8
LHCLK3	3	P12	G1	P17	P25	H4	J2	L7	M8
LHCLK4	3	P15	G3	P20	P28	J2	K3	M1	M1
LHCLK5	3	P16	H1	P21	P29	J3	K4	L1	N1
LHCLK6	3	P17	H2	P22	P30	J5	K6	M31	M3
LHCLK7	3	P18	H3	P23	P31	J4	K5	L3	M4
RHCLK0	1	P60	K14	P85	P126	K16	K13	M16	N22
RHCLK1	1	P61	J12	P86	P127	J16	K12	L16	M22
RHCLK2	1	P62	J13	P87	P128	J14	K15	L15	M15
RHCLK3	1	P63	J14	P88	P129	J13	K14	L14	M16

Table 2-3: Global Clock Input Pads for Spartan-3E FPGAs (Continued)

Pad	Bank	VQ100	CP132	TQ144	PQ208	FT256	FG320	FG400	FG484
RHCLK4	1	P65	H13	P91	P132	H15	J17	K13	L20
RHCLK5	1	P66	H12	P92	P133	H14	J16	K14	L21
RHCLK6	1	P67	G14	P93	P134	H12	J15	K20	L18
RHCLK7	1	P68	G13	P94	P135	H11	J14	J20	L19

Spartan-3 FPGA Clock Inputs

Spartan-3 devices have eight Global Clock input pads called GCLK0 through GCLK7. GCLK0 through GCLK3 are placed at the center of the die's bottom edge. GCLK4 through GCLK7 are placed at the center of the die's top edge. Any of the eight Global Clock inputs can connect to any resource on the die. There are no restrictions by quadrant, and no differentiation of primary and secondary clocks, simplifying I/O and logic placement. In the Spartan-3 family, none of the clock inputs share functionality with configuration pins, and all are on I/O pins.

The pin locations for the global clock input pads are shown in [Table 2-4](#).

Table 2-4: Global Clock Input Pads for Spartan-3 FPGAs

Pad	Bank	VQ100	CP132 ⁽¹⁾	TQ144	PQ208	FT256	FG320	FG456	FG676	FG900	FG1156 ⁽²⁾
GCLK0	4	P38	M7	P55	P79	T9	P10	AB12	AF14	AK16	AP18
GCLK1	4	P39	P8	P56	P80	R9	N10	AA12	AE14	AJ16	AN18
GCLK2	5	P36	P6	P52	P76	N8	P9	Y11	AD13	AH15	AM17
GCLK3	5	P37	P7	P53	P77	P8	N9	AA11	AE13	AJ15	AN17
GCLK4	1	P87	A9	P124	P180	D9	F10	C12	C14	C16	C18
GCLK5	1	P88	A8	P125	P181	C9	E10	B12	B14	B16	B18
GCLK6	0	P89	C8	P128	P183	A8	F9	A11	A13	A15	A17
GCLK7	0	P90	A7	P127	P184	B8	E9	B11	B13	B15	B17

Notes:

1. The CP(G)132 package is being discontinued and is not recommended for new designs. See http://www.xilinx.com/support/documentation/customer_notices/xcn08011.pdf for details.
2. The FG(G)1156 package is being discontinued and is not recommended for new designs. See http://www.xilinx.com/support/documentation/customer_notices/xcn07022.pdf for details.

Clock Inputs and DCMs

Clock inputs optionally connect directly to DCMs using dedicated connections. For more information on the clock inputs that best feed a specific DCM within a given device in each family, see [Chapter 3, "Using Digital Clock Managers \(DCMs\)."](#)

Differential Clocks Using Two Inputs

A differential clock input requires two global clock inputs. The P and N inputs follow the same configuration as for standard inputs on those pins. The clock inputs that get paired together are consecutive pins in clock number, an even clock number and the next higher

odd value. For example, GCLK0 and GCLK1 are a differential pair as are LHCLK6 and LHCLK7.

In the Spartan-3E and Extended Spartan-3A families, two clock inputs are available for each clock buffer, allowing up to twelve differential global clock inputs. In the Spartan-3 family, only four differential clock inputs are allowed.

Using Dedicated Clock Inputs in a Design

All clock input pins, including the LHCLK and RHCLK pins, are represented in a design by the IBUFG component. In general, an IBUFG is inferred by the synthesis tool on any top-level clock port. If it is desired to have more control over this process, an IBUFG can be instantiated. The I port should be connected directly to the top-level port and the O port should be connected to a DCM, BUFG, or general logic. Most synthesis tools can infer the BUFG automatically when connecting an IBUFG to the clock resources of the FPGA.

IBUFG

IBUFG (see [Figure 2-3](#)) represents the dedicated input buffers for driving the BUFGMUX or its alternatives, or the DCM.

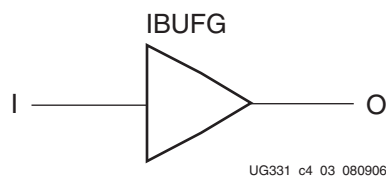
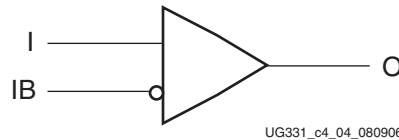


Figure 2-3: IBUFG Component

IBUFGDS

IBUFGDS (see [Figure 2-4](#)) is a dedicated differential signaling input buffer for connection to the clock buffer (BUFG) or DCM. In IBUFGDS, a design level interface signal is represented as two distinct ports (I and IB), one called the *master* and the other called the *slave*. The master and the slave are opposite phases of the same logical signal (for example, MYNET and MYNETB).



Inputs		Outputs
I	IB	O
0	0	_(1)
0	1	0
1	0	1
1	1	_(1)

Notes:

1. The dash (-) means no change.

Figure 2-4: IBUFGDS Component and Truth Table

The default IBUFGDS I/O standard is LVDS_25.

Clock Buffers/Multiplexers

Clock buffers/multiplexers either drive clock input signals directly onto a clock line (BUFG) or optionally provide a multiplexer to switch between two unrelated, possibly asynchronous clock signals (BUFGMUX).

Each BUFGMUX element, shown in Figure 2-5, is a 2-to-1 multiplexer. The select line, S, chooses which of the two inputs, I0 or I1, drives the BUFGMUX output signal, O, as described in Table 2-5. As specified in each data sheet’s “DC and Switching Characteristics” section, the S input has a setup time requirement. It also has programmable polarity.

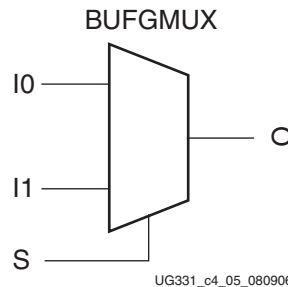


Figure 2-5: BUFGMUX Clock Multiplexer

Table 2-5: BUFGMUX Select Mechanism

S Input	O Output
0	I0 Input
1	I1 Input

BUFGMUX Multiplexing Details

The BUFGMUX not only multiplexes two clock signals but does it in a way that eliminates any timing hazards. This allows switching from one clock source to a completely asynchronous clock source without glitches. The element guarantees that when the select line S is toggled to choose the other clock source, the output remains in the inactive state until the next active clock edge on either input. The output can be either High or Low when disabled (when toggling between clock inputs). The default is Low. A cross-coupled register pair ensures the BUFGMUX output does not inadvertently generate a clock edge.

When the S input changes, the BUFGMUX does not drive the new input to the output until the previous clock input is Low and the new clock input has a High-to-Low transition. By not toggling on the first Low-to-High transition of the input, the output clock pulse is never shorter than the shortest input clock pulse.

Table 2-6: BUFGMUX Functionality

Inputs			Outputs
I0	I1	S	O
I0	X	0	I0
X	I1	1	I1
X	X	↑	0
X	X	↓	0

The S input selects clock input I0 when Low and I1 when High, but also has built-in programmable polarity, equivalent to swapping I0 and I1. Programmable polarity on the clock signal is available at each flip-flop, which can be rising-edge or falling-edge triggered, avoiding having to generate and propagate two separate clock signals.

If only one clock input is needed the second clock input and select lines do not need to be used.

The BUFGMUX is initialized with I0 selected at power-up and after the assertion of the Global Set/Reset (GSR). Simulation should also start with S = 0 at time 0. If S = 1 at time 0, the output is unknown until the next falling edge of I1.

The select line can change at almost any time, independent of the clock states or transitions. The only exception is a short setup time prior to a Low-to-High transition on the selected clock input, which can result in an undefined runt pulse output.

Using Clock Buffers/Multiplexers in a Design

All major synthesis tools infer clock buffers on the highest fanout clock nets. If there are more clocks than buffers, the most-utilized clocks get priority for the buffers. The library components are used to specify the buffers explicitly or to use the multiplexer functionality.

BUFGMUX and BUFGMUX_1

BUFGMUX and BUFGMUX_1 are distinguished by which state the output assumes when it switches between clocks in response to a change in its select input. BUFGMUX assumes output state 0 and BUFGMUX_1 assumes output state 1.

BUFG

The BUFGMUX is the physical clock buffer in the device, but it can be used as a simple single-input clock buffer. The BUFG clock buffer primitive (see Figure 2-6) drives a single clock signal onto the clock network and is essentially the same element as a BUFGMUX, just without the clock select mechanism. BUFG is the generic primitive for clock buffers across multiple architectures.

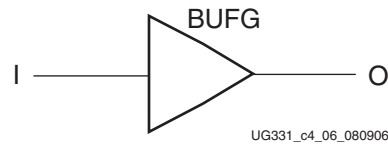


Figure 2-6: BUFG Component

The BUFG is built from the BUFGMUX as shown in Figure 2-7.

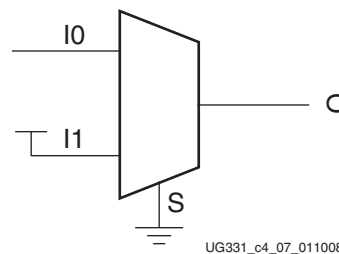
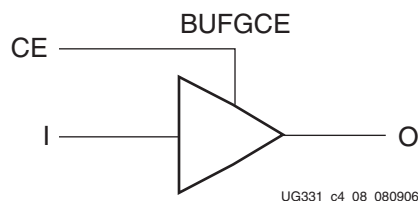


Figure 2-7: BUFG Built from BUFGMUX

The dedicated zero on the select line is actually implemented with a dedicated VCC source and using the programmable polarity on the S input.

BUFGCE and BUFGCE_1

The BUFGCE primitive creates an enabled clock buffer using the BUFGMUX select mechanism. BUFGCE is a global clock buffer with a single gated input. Its O output is "0" when clock enable (CE) is Low (inactive). When clock enable (CE) is High, the I input is transferred to the O output.



Inputs		Outputs
I	CE	O
X	0	0
I	1	I

Figure 2-8: BUFGCE Component and Truth Table

The BUFGCE is built from the BUFGMUX by multiplexing a fixed value for one input. The default value is Low when disabled. The BUFGCE_1 primitive is similar with VCC

connected to I1, making the output High when disabled. It also uses the BUFGMUX_1 primitive to guarantee there are no glitches during the transition between inputs. Figure 2-9 shows the equivalent functionality, although the library component truly is a primitive. The CE inversion is built into the BUFGMUX functionality. The "0" source can be fed from any convenient unused LUT.

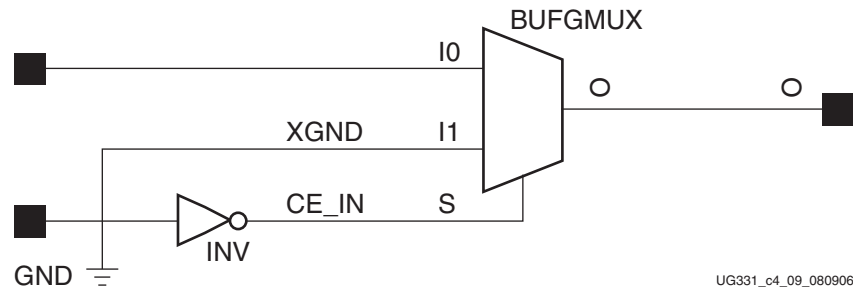


Figure 2-9: Equivalent Functionality of BUFGCE

XST Synthesis of Clock Buffers

XST automatically infers clock buffers on the highest fanout clock nets, but synthesis constraints can be used to control the usage of clock buffers.

BUFFER_TYPE selects the type of buffer to be inserted on the input port. The default is BUFGP, which is equivalent to a BUFG.

```
NET "signal_name" buffer_type={bufgdll | ibufg | bufgp | ibuf | bufr | none};
```

The BUFFER_TYPE parameter can be used on a generic input to make sure that the global clock buffer is used (= BUFGP). It can also be set to NONE to prevent the automatic usage of a global clock buffer. This replaces the older constraint CLOCK_BUFFER, which should not be used in new designs.

If a common clock enable is used for all loads on a clock net, the BUFGCE = YES constraint can be used to move the high-fanout clock enable to a single line on a BUFGCE:

```
NET "primary_clock_signal" bufgce={yes | no | true | false};
```

CLOCK_SIGNAL is a synthesis constraint. In the case where a clock signal goes through combinatorial logic before being connected to the clock input of a flip-flop, XST cannot identify what input pin is the real clock pin. This constraint can be used to define the clock pin:

```
NET "primary_clock_signal" clock_signal={yes | no | true | false};
```

BUFGMUX Connection Details

BUFGMUX Inputs

The I0 and I1 inputs to a BUFGMUX element originate from clock input pins, DCMs, or Double-Line interconnect, as shown in Figure 2-10. As shown in Figure 2-2, page 45, there are 24 BUFGMUX elements distributed around the four edges of the device. Clock signals from the four BUFGMUX elements at the top edge and the four at the bottom edge are truly global and connect to all clocking quadrants. The eight left-edge BUFGMUX elements only connect to the two clock quadrants in the left half of the device. Similarly, the eight right-edge BUFGMUX elements only connect to the right half of the device.

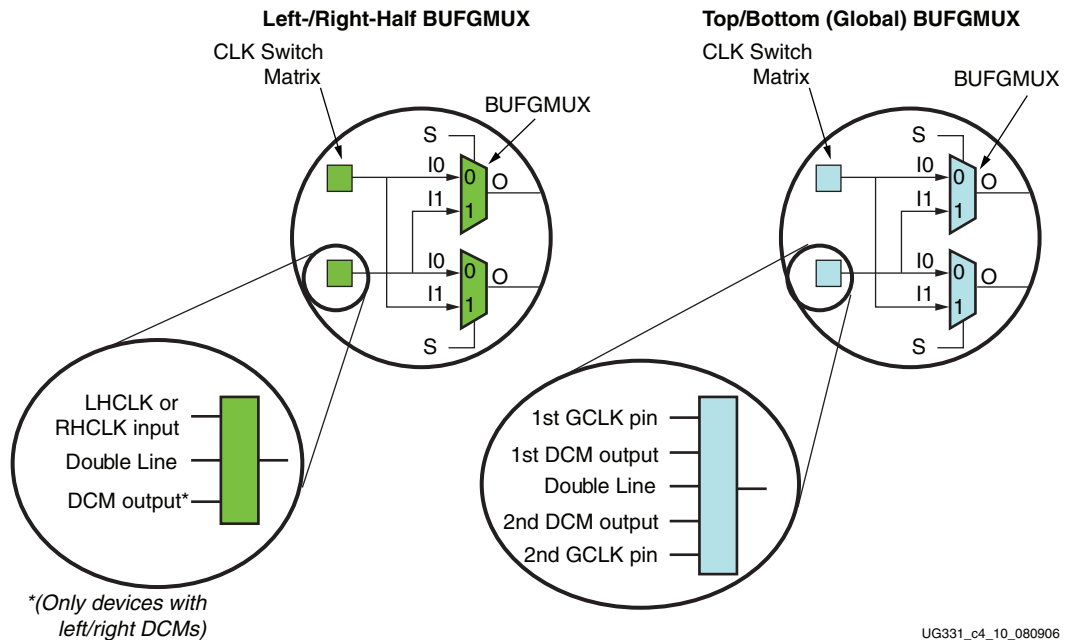


Figure 2-10: **Spartan-3E and Extended Spartan-3A Family Clock Switch Matrix for BUFGMUX Pair Connectivity**

BUFGMUX elements are organized in pairs and share I0 and I1 connections with adjacent BUFGMUX elements from a common clock switch matrix as shown in Figure 2-10. For example, the input on I0 of one BUFGMUX is also a shared input to I1 of the adjacent BUFGMUX.

The clock switch matrix for the left- and right-edge BUFGMUX elements receive signals from any of the three following sources: an LHCLK or RHCLK pin as appropriate, a Double-Line interconnect, or a DCM in the larger devices. These devices include the XC3S1200E and XC3S1600E devices in the Spartan-3E family, and the XC3S700A/AN, XC3S1400A/AN, XC3SD1800A, and XC3SD3400A devices in the Extended Spartan-3A family.

By contrast, the clock switch matrixes on the top and bottom edges receive signals from any of the five following sources: two GCLK pins, two DCM outputs, or one Double-Line interconnect.

Table 2-7 indicates permissible connections between clock inputs and BUFGMUX elements. The I0 input provides the best input path to a clock buffer. The I1 input provides the secondary input for the clock multiplexer function.

Table 2-7: Spartan-3E and Extended Spartan-3A Family Connections from Clock Inputs to BUFGMUX Elements and Associated Quadrant Clock

Quadrant Clock Line ⁽¹⁾	Left-Half BUFGMUX			Top or Bottom BUFGMUX			Right-Half BUFGMUX		
	Location ⁽²⁾	I0 Input	I1 Input	Location ⁽²⁾	I0 Input	I1 Input	Location ⁽²⁾	I0 Input	I1 Input
H	X0Y9	LHCLK7	LHCLK6	X1Y10	Extended Spartan-3A: GCLK6 or GCLK10 Spartan-3E: GCLK7 or GCLK11	Extended Spartan-3A: GCLK7 or GCLK11 Spartan-3E: GCLK6 or GCLK10	X3Y9	RHCLK3	RHCLK2
G	X0Y8	LHCLK6	LHCLK7	X1Y11	Extended Spartan-3A: GCLK7 or GCLK11 Spartan-3E: GCLK6 or GCLK10	Extended Spartan-3A: GCLK6 or GCLK10 Spartan-3E: GCLK7 or GCLK11	X3Y8	RHCLK2	RHCLK3
F	X0Y7	LHCLK5	LHCLK4	X2Y10	Extended Spartan-3A: GCLK4 or GCLK8 Spartan-3E: GCLK5 or GCLK9	Extended Spartan-3A: GCLK5 or GCLK9 Spartan-3E: GCLK4 or GCLK8	X3Y7	RHCLK1	RHCLK0
E	X0Y6	LHCLK4	LHCLK5	X2Y11	Extended Spartan-3A: GCLK5 or GCLK9 Spartan-3E: GCLK4 or GCLK8	Extended Spartan-3A: GCLK4 or GCLK8 Spartan-3E: GCLK5 or GCLK9	X3Y6	RHCLK0	RHCLK1
D	X0Y5	LHCLK3	LHCLK2	X1Y0	GCLK3 or GCLK15	GCLK2 or GCLK14	X3Y5	RHCLK7	RHCLK6
C	X0Y4	LHCLK2	LHCLK3	X1Y1	GCLK2 or GCLK14	GCLK3 or GCLK15	X3Y4	RHCLK6	RHCLK7
B	X0Y3	LHCLK1	LHCLK0	X2Y0	GCLK1 or GCLK13	GCLK0 or GCLK12	X3Y3	RHCLK5	RHCLK4
A	X0Y2	LHCLK0	LHCLK1	X2Y1	GCLK0 or GCLK12	GCLK1 or GCLK13	X3Y2	RHCLK4	RHCLK5

Notes:

1. See “[Quadrant Clock Routing](#),” page 57 for connectivity details for the eight quadrant clocks.
2. See [Figure 2-2](#) for specific BUFGMUX locations, and [Figure 2-12](#) for information on how BUFGMUX elements drive onto a specific clock line within a quadrant.

The four BUFGMUX elements on the top edge are paired together and share inputs from the eight global clock inputs along the top edge. Each BUFGMUX pair connects to four of the eight global clock inputs, as shown in [Figure 2-2, page 45](#). This optionally allows differential inputs to the global clock inputs without wasting a BUFGMUX element.

The connections for the bottom-edge BUFGMUX elements are similar to the top-edge connections (see [Figure 2-10](#)). On the left and right edges, only two clock inputs feed each pair of BUFGMUX elements.

BUFGMUX Outputs

The BUFGMUX drives the global clock routing, which in turn connects to clock inputs on device resources. The BUFGMUX can also connect to a DCM, typically used for internal feedback to the DCM CLKFB input, as shown in [Figure 2-11](#).

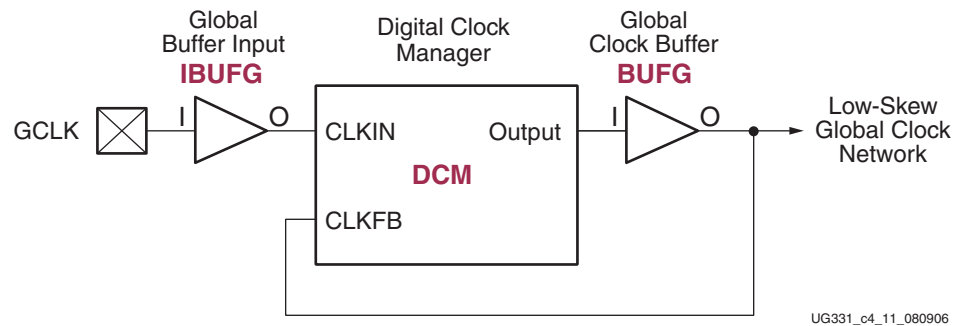


Figure 2-11: Using a DCM to Eliminate Clock Skew

For more details on using the DCMs, see [Chapter 3, “Using Digital Clock Managers \(DCMs\).”](#)

Spartan-3 Global Clock Buffers

The Spartan-3 family has only eight global clock buffers. Four BUFGMUX elements are placed at the center of the die’s bottom edge, just above the GCLK0 - GCLK3 inputs. The remaining four BUFGMUX elements are placed at the center of the die’s top edge, just below the GCLK4 - GCLK7 inputs. Each pair of BUFGMUX elements shares two sources; each source feeds the I0 input of one BUFGMUX and the I1 input of the adjacent BUFGMUX. Thus two completely independent pairs of clock inputs to be multiplexed could be on the same side of the die but not on the adjacent BUFGMUX elements. For more details, see the Spartan-3 data sheet.

Quadrant Clock Routing

The clock routing within the Spartan-3E and Extended Spartan-3A family FPGA is quadrant-based, as shown in [Figure 2-2, page 45](#). Each clock quadrant supports eight total clock signals, labeled A through H in [Table 2-7](#) and [Figure 2-12](#). The clock source for an individual clock line originates either from a global BUFGMUX element along the top and bottom edges or from a BUFGMUX element along the associated left/right edge, as shown in [Figure 2-12](#). The clock lines feed the synchronous resource elements (CLBs, IOBs, block RAM, multipliers, and DCMs) within the quadrant. Those resources have programmable polarity on the clock input.

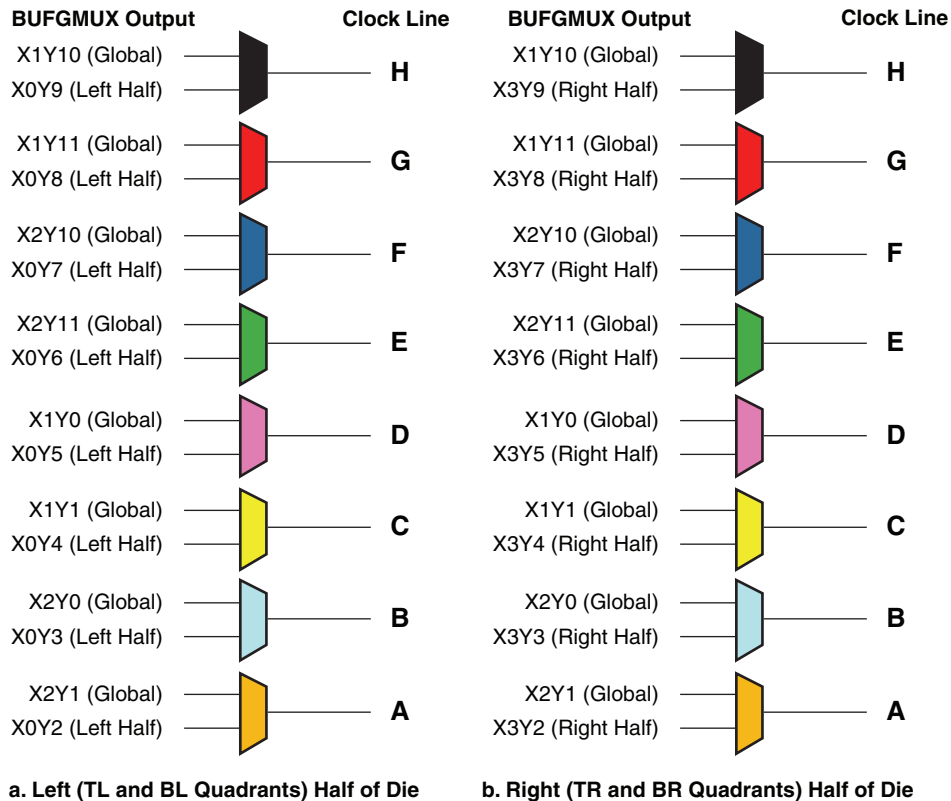


Figure 2-12: Spartan-3E and Extended Spartan-3A Family Clock Sources for the Eight Clock Lines within a Clock Quadrant

The four quadrants of the device are:

- Top Right (TR)
- Bottom Right (BR)
- Bottom Left (BL)
- Top Left (TL)

The quadrant clock notation (TR, BR, BL, TL) is separate from that used for similar IOB placement constraints.

The outputs of the top or bottom BUFGMUX elements connect to two vertical spines, each comprising four vertical clock lines as shown in [Figure 2-2, page 45](#). At the center of the die, these clock signals connect to the eight-line horizontal clock spine. By bringing the clock to the center of the device and then radiating outward, the skew is minimized across the device.

Outputs of the left and right BUFGMUX elements are routed onto the left or right horizontal spines, each comprising eight horizontal clock lines.

Each of the eight clock signals in a clock quadrant derives either from a global clock signal or a half clock signal. In other words, there are up to 24 total potential clock inputs to the FPGA, eight of which can connect to clocked elements in a single clock quadrant.

[Figure 2-12](#) shows how the clock lines in each quadrant are selected from associated BUFGMUX sources. For example, if quadrant clock A in the bottom left (BL) quadrant originates from BUFGMUX_X2Y1, then the clock signal from BUFGMUX_X0Y2 is

unavailable in the bottom left quadrant. However, the top left (TL) quadrant clock A can still solely use the output from either BUFGMUX_X2Y1 or BUFGMUX_X0Y2 as the source.

Choosing Top/Bottom and Left-/Right-Half Global Buffers

The software generally use the top/bottom global buffers as the first choice for high-fanout clock signals. If there are more than eight clocks in a design, the left-/right-half buffers can be used. Floorplanning is recommended for designs requiring more than eight clocks, since the loads on the left-/right-half buffers must be restricted to one half of the device, or restricted to one quadrant to allow the most freedom for the global input using the same routing resource.

Spartan-3 Global Clock Routing

The Spartan-3 BUFGMUX drives the vertical global clock spine belonging to the same side of the die — top or bottom — as the BUFGMUX element in use. The two spines — top and bottom — each comprise four vertical clock lines, each running from one of the BUFGMUX elements on the same side towards the center of the die. At the center of the die, clock signals reach the eight-line horizontal spine, which spans the width of the die. In turn, the horizontal spine branches out into a subsidiary clock interconnect that accesses the CLBs, IOBs, block RAM, and multipliers. For more details, see the *Spartan-3 Family Data Sheet*.

Other Information

Clock Power Consumption

Dynamic power dissipation can be reduced through optimization of the clocks used in a design.

To minimize the dynamic power dissipation of the clock network, the Xilinx development software automatically disables all clock segments not in use. To take full advantage of this, concentrate logic in the fewest possible clock column regions. Use floorplanning to reduce the number of clock columns in use. To further reduce clock power, reduce the number of rows that the clock is driving.

Using a slower clock also reduces power. The DCM can be used to divide clocks, or slow clocks can be further divided using registers. A design can be organized according to required clock frequency and then each part clocked at the lowest possible frequency.

Stopping a clock eliminates the power consumed by the clock routing and by the elements it drives. If possible, stop the clock externally where it enters the FPGA. If you can not stop the clock externally, then disable it inside the FPGA by using the BUFGMUX or BUFGCE. Gating a clock through internal CLB logic is not recommended because it introduces route-dependent skew and makes the design sensitive to lot-to-lot variations, and might require manual routing.

The alternative is to use the clock enables to disable the clock loads. This is useful when the clock is still needed in some locations, but it does not reduce the clock distribution power.

Clock Setup and Hold Timing

See the data sheets for detailed clock timing information. Delay parameters are provided for both pin-to-pin paths through the device and individual component delays. All delay parameters that begin or end at a device pin are defined for the LVCMOS25 I/O standard,

which is the default. Outputs are defined for 12 mA drive, which is the default, and Fast slew rate (Slow is the default). Parameters are adjusted by the timing report tools for other I/O standards. For pin-to-pin setup times, which are calculated as the data delay minus the clock delay, the clock pin "adder" is actually subtracted from the result. For hold times, the data pin "adder" is subtracted. A negative hold time means that the data can be released before the clock edge. This is often considered simply as a *zero* hold time, allowing the clock and data to change at the same time. The previous data gets clocked before the new data arrives.

Delay parameters for an input flip-flop are affected by the IFD_DELAY_VALUE setting. The default is AUTO, which selects a specific value according to the density of the device. For exact timing for your design, see the timing reports provided by the ISE® development tools.

Summary

Global clock inputs, buffers, and routing are automatically used for a design's highest fanout clock signals. Implementation reports should be checked to verify the usage of clock buffers where desired. The user can specify the details of global clock usage in order to take advantage of special features such as multiplexing and clock enables, or to maximize the number of clocks using global resources in a design.

Additional Information

For other types of routing resources, see [Chapter 12, "Using Interconnect."](#)

Using the general-purpose interconnect to distribute clock signals is called *local clocking*, as described in [XAPP609](#) and elsewhere on the Xilinx website.

For more details on the DCMs, see [Chapter 3, "Using Digital Clock Managers \(DCMs\)."](#)

This chapter focuses on the Spartan-3E and Extended Spartan-3A architectures. For details on Spartan-3 FPGA clocks, see [DS099](#), *Spartan-3 FPGA Family Data Sheet*.

For more information on input delay elements and IOSTANDARD options, see [Chapter 10, "Using I/O Resources."](#)

For information on the clocked resources in the FPGA, such as the CLB flip-flops and the block RAM, see the appropriate chapters elsewhere in this user guide.

For information on setting clock performance constraints, see the *ISE Constraints Guide* on the Xilinx website.

Using Digital Clock Managers (DCMs)

Summary

Digital Clock Managers (DCMs) provide advanced clocking capabilities to Spartan®-3 generation FPGA applications (Spartan-3, Spartan-3E, and Extended Spartan-3A families). Primarily, DCMs eliminate clock skew, thereby improving system performance. Similarly, a DCM optionally phase shifts the clock output to delay the incoming clock by a fraction of the clock period. DCMs optionally multiply or divide the incoming clock frequency to synthesize a new clock frequency. The DCMs integrate directly with the FPGA's global low-skew clock distribution network.

Introduction

DCMs integrate advanced clocking capabilities directly into the FPGA's global clock distribution network. Consequently, DCMs solve a variety of common clocking issues, especially in high-performance, high-frequency applications:

- **Eliminate Clock Skew**, either within the device or to external components, to improve overall system performance and to eliminate clock distribution delays.
- **Phase Shift** a clock signal, either by a fixed fraction of a clock period or by incremental amounts.
- **Multiply or Divide an Incoming Clock Frequency** or synthesize a completely new frequency by a mixture of clock multiplication and division.
- **Condition a Clock**, ensuring a clean output clock with a 50% duty cycle.
- **Mirror, Forward, or Rebuffer a Clock Signal**, often to deskew and convert the incoming clock signal to a different I/O standard—for example, forwarding and converting an incoming LVTTTL clock to LVDS.
- **Any or all the above functions, simultaneously.**

Table 3-1: Digital Clock Manager Features and Capabilities

Feature	Description	DCM Signals
Digital Clock Managers (DCMs) per Device	Two to eight DCMs, depending on array size. See Figure 3-1, page 64 .	All
Clock Input Sources	<ul style="list-style-type: none"> • Global buffer input pad • Global buffer output • General-purpose I/O (no deskew) • Internal logic (no deskew) 	CLKIN
Frequency Synthesizer Output	Multiply CLKIN by the fraction (M/D) where M = {2..32}, D = {1..32}	<ul style="list-style-type: none"> • CLKFX • CLKFX180

Table 3-1: Digital Clock Manager Features and Capabilities (Continued)

Feature	Description	DCM Signals
Clock Divider Output	Divide CLKIN by 1.5, 2, 2.5, 3, 3.5, 4, 4.5, 5, 5.5, 6, 6.5, 7, 7.5, 8, 9, 10, 11, 12, 13, 14, 15, or 16	CLKDV
Clock Doubler Output	Multiply CLKIN frequency by 2	<ul style="list-style-type: none"> • CLK2X • CLK2X180
Clock Conditioning, Duty-Cycle Correction	Always provided on most outputs. Optional on Spartan-3 FPGA outputs CLK0, CLK90, CLK180, and CLK270.	All
Quadrant Phase Shift Outputs	0° (no phase shift), 90° (¼ period), 180° (½ period), 270° (¾ period)	<ul style="list-style-type: none"> • CLK0 • CLK90 • CLK180 • CLK270
Half-Period Phase Shift Outputs	Output pairs with 0° and 180° phase shift, ideal for DDR applications	<ul style="list-style-type: none"> • CLK0, CLK180 • CLK2X, CLK2X180 • CLKFX, CLKFX180
Number of DCM Clock Outputs Connected to General-Purpose Interconnect	Up to all 9	All
Number of DCM Clock Outputs Connected to Global Clock Network	Any 4 of 9	All
Number of Clock Outputs Connected to Output Pins	Up to all 9	All

Document Overview

This chapter covers an assortment of topics related to Digital Clock Managers, not all of which are relevant to every specific FPGA application.

The “[DCM Functional Overview](#)” section provides a brief introduction to the DCM and its functions. Similarly the “[DCM Primitive](#)” section describes all the connection ports and attributes or constraints associated with a DCM. Likewise the “[Clocking Wizard](#)” and the “[VHDL and Verilog Instantiation](#)” sections demonstrate the various methods to specify a DCM design.

The “[DCM Clock Requirements](#)” and the “[Input and Output Clock Frequency Restrictions](#)” sections explain the frequency requirements on the DCM clock input and the various DCM clock outputs. Similarly, the “[Clock Jitter or Phase Noise](#)” section highlights the effect jitter has on output clock quality.

Finally, the “[Eliminating Clock Skew](#)”, “[Clock Conditioning](#)”, “[Phase Shifting – Delaying Clock Outputs by a Fraction of a Period](#)”, “[Clock Multiplication, Clock Division, and Frequency Synthesis](#)”, and “[Clock Forwarding, Mirroring, Rebuffering](#)” sections illustrate various applications using the DCM block.

Compatibility and Comparison with Other Xilinx FPGA Families

Spartan-3E and Spartan-3A/3AN/3A DSP FPGAs include a fourth-generation DCM design, incorporating a variety of enhancements and improvements over previous FPGA families. The Spartan-3 DCM, a third-generation design, is nearly functionally identical to the DCM units found in Virtex®-II and Virtex-II Pro FPGA families.

The DCM feature is nearly identical between all Spartan-3 generation FPGA families. [Table 3-2](#) summarizes the primary DCM differences between families. Mid- and large-density Spartan-3E and Spartan-3A/3AN/3A DSP FPGAs have additional DCMs along the left and right sides of the FPGA. The Spartan-3E and Spartan-3A/3AN/3A DSP DCMs automatically determine their operating range and, unlike Spartan-3 FPGAs, are not limited to either a Low or High operating frequency range. Furthermore, Spartan-3E and Spartan-3A/3AN/3A DSP DCMs support a broader range of input frequencies. There are also important differences in the way that Spartan-3E and Spartan-3A/3AN/3A DSP FPGAs implement Variable Phase Shift operations, further described in [“Important Differences Between Spartan-3 Generation FPGA Families,”](#) page 118.

Table 3-2: DCM Differences between Spartan-3 Generation FPGAs

	Spartan-3 FPGAs	Spartan-3E FPGAs	Spartan-3A/3AN/3A DSP FPGAs
Design primitive	DCM	DCM_SP	DCM_SP
DCMs per device (Figure 3-1, page 64)	2 to 4 global	2 to 4 global plus 0 to 4 side DCMs	2 to 4 global plus 0 to 4 side DCMs
DLL minimum input clock frequency	18 MHz	5 MHz	5 MHz
Distinct DLL operating frequency ranges	Two: Low and High	One	One
Distinct DFS operating frequency range	Two: Low and High	One	One
DFS input clock frequency range	1 to 280 MHz	0.2 to 333 MHz	0.2 to 333 MHz
Variable Phase Shift increment or decrement unit	$\frac{1}{256}$ th of CLKIN Period (degrees)	DCM_DELAY_STEP, between 20 to 40 ps (time)	DCM_DELAY_STEP, between 15 to 35 ps (time)
DCM V _{CCAUX} voltage supply	2.5V	2.5V	Spartan-3A/3A DSP: 2.5V or 3.3V Spartan-3AN: 3.3V

The Spartan-3 DCM is a significant enhancement over the Spartan-II/Spartan-IIE DLL function. A Spartan-3 DCM provides all the capabilities of the Spartan-II/Spartan-IIE DLL with new capabilities, such as the Frequency Synthesizer and phase shifting functions. The Spartan-3 Frequency Synthesizer multiplies an input clock by up to a factor of 32. The Spartan-II/IIE DLL has limited frequency multiplication capabilities—namely, an input clock can be doubled. Similarly, the Spartan-3 DCM has a wider divider range compared to Spartan-IIE DLLs.

DCM Locations and Clock Distribution Network Interface

Figure 3-1 shows the number and relative location of DCMs on various Spartan-3 generation FPGAs. The smallest FPGA in each family has two DCMs, although the physical location varies between families. All larger Spartan-3 FPGAs and the middle-sized members of the Spartan-3E and Extended Spartan-3A families have four DCM blocks. The larger members of the Spartan-3E and Extended Spartan-3A families have eight total DCMs. The two DCMs at the top and the two at the bottom connect into the FPGA's global clock network. The DCMs along the left and right edges connect to the clock network on their respective half of the FPGA.

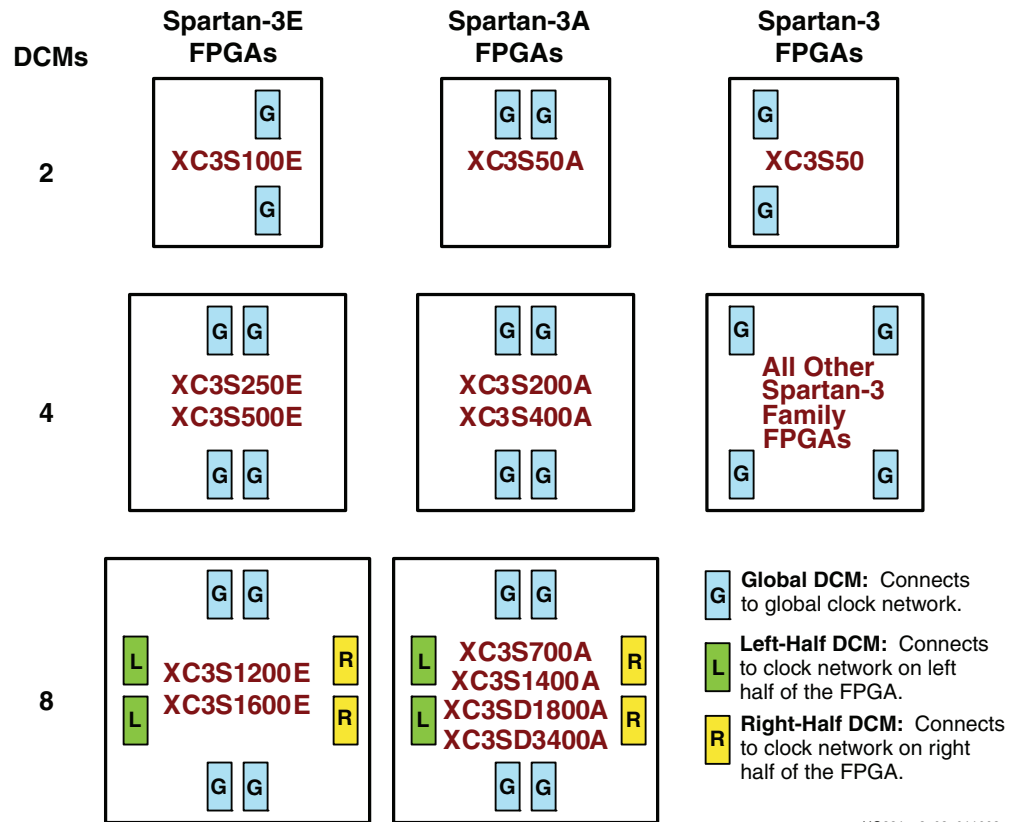


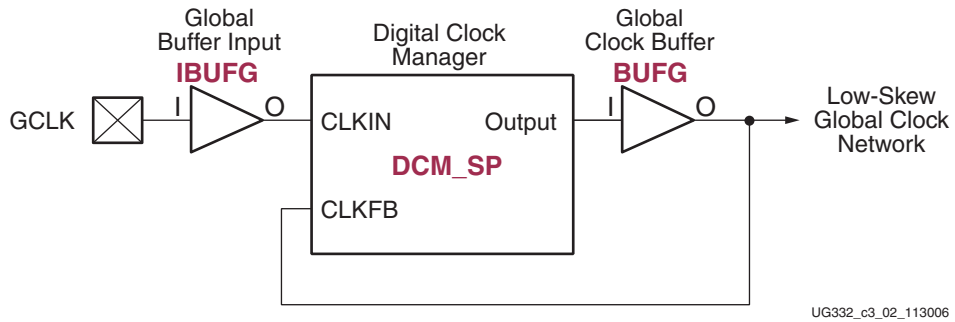
Figure 3-1: Number and Location of DCMs on Spartan-3 Generation FPGAs

The DCM blocks have dedicated connections to the global buffer inputs and global buffer multiplexers on the same edge of the device, either top or bottom. They are an integral part of the FPGA's global clocking infrastructure. DCMs are an optional element in the clock distribution network and are available when required by the application. In Figure 3-2a, a clock input feeds directly into the low-skew, high-fanout global clock network via a global input buffer and global clock buffer.

If the application requires some or all of the DCM's advanced clocking features, the DCM fits neatly between the global buffer input and the buffer itself, as shown in Figure 3-2b.



a. Global Buffer Inputs and Clock Buffers Drive a Low-Skew Global Network in the FPGA



b. A Digital Clock Manager (DCM) Inserts Directly into the Global Clock Path

Figure 3-2: DCMs are an Integral Part of the FPGA's Global Clock Network

DCM Functional Overview

The single entity that is generically called a Digital Clock Manager (DCM) consists of four distinct functional units as depicted in the simplified diagram shown in Figure 3-3 and described below. These units operate independently or in tandem.

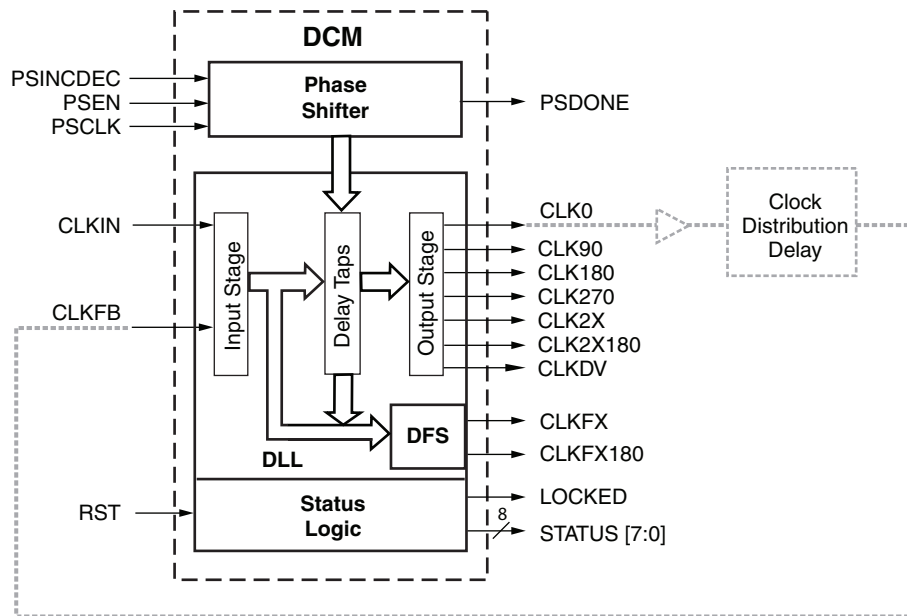


Figure 3-3: DCM Functional Block Diagram

Delay-Locked Loop (DLL)

The Delay-Locked Loop (DLL) unit provides an on-chip digital deskew circuit that effectively generates clock output signals with a net zero delay. The deskew circuit compensates for the delay on the clock routing network by monitoring an output clock, from either the DCM's [CLK0](#) or the [CLK2X](#) outputs. The DLL unit effectively eliminates the delay from the external clock input port to the individual clock loads within the device. The well-buffered global network minimizes the clock skew on the network caused by loading differences.

The input signals to the DLL unit are [CLKIN](#) and [CLKFB](#). The output signals from the DLL are [CLK0](#), [CLK90](#), [CLK180](#), [CLK270](#), [CLK2X](#), [CLK2X180](#), and [CLKDV](#).

The DLL unit generates the outputs for the [Clock Doubler \(CLK2X, CLK2X180\)](#), the [Clock Divider \(CLKDV\)](#) and the [Quadrant Phase Shifted Outputs](#) functions.

Digital Frequency Synthesizer (DFS)

The Digital Frequency Synthesizer (DFS) provides a wide and flexible range of output frequencies based on the ratio of two user-defined integers, a Multiplier ([CLKFX_MULTIPLY](#)) and a Divisor ([CLKFX_DIVIDE](#)). The output frequency is derived from the input clock ([CLKIN](#)) by simultaneous frequency division and multiplication. The DFS feature can be used in conjunction with or separately from the DLL feature of the DCM. If the DLL is not used, then there is no phase relationship between [CLKIN](#) and the DFS outputs.

The DFS unit generates the [Frequency Synthesizer \(CLKFX, CLKFX180\)](#) outputs.

Phase Shift (PS)

The Phase Shift (PS) unit controls the phase relations of the DCM's clock outputs to the [CLKIN](#) input.

The Phase Shift unit shifts the phase of all nine DCM clock output signals by a fixed fraction of the input clock period. The fixed phase shift value is set at design time and loaded into the DCM during FPGA configuration. Note that if the DLL is not used, then there is no phase relationship between [CLKIN](#) and the DFS outputs.

The Phase Shift unit also provides a digital interface for the FPGA application to dynamically advance or retard the current shift value, called Variable Phase Shift. As shown in [Table 3-3](#), the Spartan-3 Variable Phase Shift changes by 1/256th of the [CLKIN](#) clock period. On Spartan-3E and Extended Spartan-3A families, the Variable Phase Shift changes by one [DCM_DELAY_STEP](#), which has a fixed range as defined in the corresponding data sheet.

Table 3-3: Variable Phase Shift Differences

FPGA Family	Smallest Phase Shift Unit
Spartan-3 FPGA	1/256 th of the CLKIN clock period, but not less than 30 to 60 ps
Spartan-3E FPGA	DCM_DELAY_STEP , which ranges between 20 to 40 ps per step
Extended Spartan-3A FPGA	DCM_DELAY_STEP , which ranges between 15 to 35 ps per step

The input signals to the Phase Shift unit are [PSINCDEC](#), [PSEN](#), and [PSCCLK](#). The output signals are [PSDONE](#) and the [STATUS\[0\]](#) signal.

Status Logic

The Status Logic indicates the current state of the DCM via the **LOCKED** and **STATUS[0]** (Spartan-3/3A/3AN/3A DSP FPGAs only), **STATUS[1]**, and **STATUS[2]** output signals. The **LOCKED** output signal indicates whether the DCM outputs are in phase with the **CLKIN** input. The **STATUS** output signals indicate the state of the DLL and PS operations.

The **RST** input signal resets the DCM logic and returns it to its post-configuration state. Likewise, a reset forces the DCM to reacquire and lock to the **CLKIN** input.

DCM Primitive

The DCM design primitive, shown in [Figure 3-4](#), represents all the sub-features within the Digital Clock Manager. The name of the DCM primitive differs slightly between Spartan-3 generation FPGA families, as shown in [Table 3-4](#). Spartan-3 FPGAs support the *DCM* primitive, while Spartan-3E and Extended Spartan-3A FPGAs support the more advanced *DCM_SP* primitive. The Xilinx ISE® software automatically maps a Spartan-3 DCM primitive to the appropriate equivalent in a Spartan-3E or Extended Spartan-3A FPGA design.

Table 3-4: Digital Clock Manager Primitive by Spartan-3 Generation FPGA Family

FPGA Family	Primitive
Spartan-3E FPGA	DCM_SP
Extended Spartan-3A FPGA	
Spartan-3 FPGA	DCM

The DCM’s [Connection Ports](#) and [Attributes, Properties, or Constraints](#) are summarized below.

Symbol

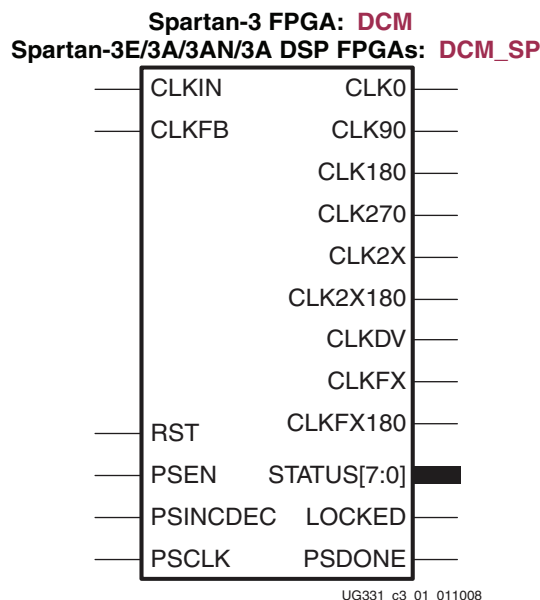


Figure 3-4: DCM Design Primitive

Connection Ports

Table 3-6 lists the various connection ports to the Digital Clock Manager. Each port connection has a brief description, which includes the signal direction, and which DCM function units require the connection. Table 3-5 provides the abbreviated name for each function unit used in Table 3-6.

Table 3-5: Functional Unit Abbreviations for Table 3-6

Abbreviation	Functional Unit
DLL	Delay-Locked Loop
PS	Phase Shifter
DFS	Digital Frequency Synthesizer

Table 3-6: DCM Connection Ports

Port	Direction	Description	Functional Unit						
			DLL	PS	DFS				
CLKIN	Clock Input	Clock input to DCM. Always required. The CLKIN frequency and jitter must fall within the limits specified in the data sheet. On Spartan-3 FPGAs, the frequency limits are further defined by the DLL_FREQUENCY_MODE and DFS_FREQUENCY_MODE attributes.	✓	✓	✓				
CLKFB	Input	Clock feedback input to DCM. The feedback input is required unless the Digital Frequency Synthesis outputs, CLKFX or CLKFX180 , are used stand-alone. The source of the CLKFB input must be the CLK0 or CLK2X output from the DCM and the CLK_FEEDBACK must be set to 1X or 2X accordingly. The feedback point ideally includes the delay added by the clock distribution network, either internally or externally. See “Feedback from a Reliable Source.”	✓	Optional	✓				
RST	Input	Asynchronous reset input. Resets the DCM logic to its post-configuration state. Causes DCM to reacquire and relock to the CLKIN input. Invertible within DCM block. Non-inverted behavior shown below. See “RST Input Behavior.” <table border="1" data-bbox="467 1371 1190 1501"> <tbody> <tr> <td>0</td> <td>No effect.</td> </tr> <tr> <td>1</td> <td>Reset DCM block. Hold RST pulse High for at least three valid CLKIN cycles.</td> </tr> </tbody> </table>	0	No effect.	1	Reset DCM block. Hold RST pulse High for at least three valid CLKIN cycles.	✓	✓	✓
0	No effect.								
1	Reset DCM block. Hold RST pulse High for at least three valid CLKIN cycles.								
PSEN	Input	Variable Phase Shift enable. Invertible within DCM block. Non-inverted behavior shown below. See “Variable Fine Phase Shifting,” page 118. <table border="1" data-bbox="467 1633 1190 1793"> <tbody> <tr> <td>0</td> <td>Disable Variable Phase Shifter. Ignore inputs to phase shifter.</td> </tr> <tr> <td>1</td> <td>Enable Variable Phase Shifter operations on next rising PSCLK clock edge.</td> </tr> </tbody> </table>	0	Disable Variable Phase Shifter. Ignore inputs to phase shifter.	1	Enable Variable Phase Shifter operations on next rising PSCLK clock edge.		✓	
0	Disable Variable Phase Shifter. Ignore inputs to phase shifter.								
1	Enable Variable Phase Shifter operations on next rising PSCLK clock edge.								

Table 3-6: DCM Connection Ports (Continued)

Port	Direction	Description	Functional Unit						
			DLL	PS	DFS				
PSINCDEC	Input	Increment/decrement Variable Phase Shift. Invertible within DCM block. Non-inverted behavior shown below. See “Variable Fine Phase Shifting,” page 118.		✓					
		<table border="1"> <tr> <td>0</td> <td>Decrement phase shift value on next enabled, rising PSCLK clock edge.</td> </tr> <tr> <td>1</td> <td>Increment phase shift value on next enabled, rising PSCLK clock edge.</td> </tr> </table>				0	Decrement phase shift value on next enabled, rising PSCLK clock edge.	1	Increment phase shift value on next enabled, rising PSCLK clock edge.
		0				Decrement phase shift value on next enabled, rising PSCLK clock edge.			
1	Increment phase shift value on next enabled, rising PSCLK clock edge.								
PSCLK	Clock Input	Clock input to Variable Phase Shifter, clocked on rising edge. Invertible within DCM block. See “Variable Fine Phase Shifting,” page 118.		✓					
CLK0	Clock Output	Same frequency as CLKIN, 0° phase shift (i.e., not phase shifted). Always conditioned to a 50% duty cycle on Spartan-3E/3A/3AN/3A DSP FPGAs or on Spartan-3 FPGAs when the DUTY_CYCLE_CORRECTION attribute is TRUE. Either CLK0 or CLK2X is required as a feedback source for DLL functions. See “Half-Period Phase Shifted Outputs,” and “Quadrant Phase Shifted Outputs.”	✓						
CLK90	Clock Output	Same frequency as CLKIN, 90° phase shifted (quarter period). Not available if the DLL_FREQUENCY_MODE attribute is HIGH. Always conditioned to a 50% duty cycle on Spartan-3E/3A/3AN/3A DSP FPGAs or on Spartan-3 FPGAs when the DUTY_CYCLE_CORRECTION attribute is TRUE. See “Quadrant Phase Shifted Outputs.”	✓						
CLK180	Clock Output	Same frequency as CLKIN, 180° phase shifted (half period). Always conditioned to a 50% duty cycle on Spartan-3E/3A/3AN/3A DSP FPGAs or on Spartan-3 FPGAs when the DUTY_CYCLE_CORRECTION attribute is TRUE. See “Half-Period Phase Shifted Outputs,” and “Quadrant Phase Shifted Outputs.”	✓						
CLK270	Clock Output	Same frequency as CLKIN, 270° phase shifted (three-quarters period). Not available if the DLL_FREQUENCY_MODE attribute is HIGH. Always conditioned to a 50% duty cycle on Spartan-3E/3A/3AN/3A DSP FPGAs or on Spartan-3 FPGAs when the DUTY_CYCLE_CORRECTION attribute is TRUE. See “Quadrant Phase Shifted Outputs.”	✓						
CLK2X	Clock Output	Double-frequency clock output, 0° phase shift. Not available if the DLL_FREQUENCY_MODE attribute is HIGH. When available, the CLK2X output always has a 50% duty cycle. Either CLK0 or CLK2X is required as a feedback source for DLL functions. Clock Doubler (CLK2X, CLK2X180) output. See “Half-Period Phase Shifted Outputs.”	✓						

Table 3-6: DCM Connection Ports (Continued)

Port	Direction	Description	Functional Unit						
			DLL	PS	DFS				
CLK2X180	Clock Output	Double-frequency clock output, 180° phase shifted. Not available if the <code>DLL_FREQUENCY_MODE</code> attribute is HIGH. When available, the CLK2X180 output always has a 50% duty cycle. Clock Doubler (CLK2X, CLK2X180) output. See “Half-Period Phase Shifted Outputs.”	✓						
CLKDV	Clock Output	Divided clock output, controlled by the <code>CLKDV_DIVIDE</code> attribute. The CLKDV output has a 50% duty cycle unless the <code>DLL_FREQUENCY_MODE</code> attribute is HIGH and the <code>CLKDV_DIVIDE</code> attribute is a non-integer value. The locking time is longer when <code>CLKDV_DIVIDE</code> has a non-integer value. See the Clock Divider (CLKDV) output. $F_{CLKDV} = \frac{F_{CLKIN}}{CLKDV_DIVIDE}$	✓						
CLKFX	Clock Output	Synthesized clock output, controlled by the <code>CLKFX_MULTIPLY</code> and <code>CLKFX_DIVIDE</code> attributes. Always has a 50% duty cycle. If the CLKFX or CLKFX180 clock outputs are used standalone, then no clock feedback is required. See “Frequency Synthesizer (CLKFX, CLKFX180),” and “Half-Period Phase Shifted Outputs.” $F_{CLKFX} = F_{CLKIN} \cdot \frac{CLKFX_MULTIPLY}{CLKFX_DIVIDE}$			✓				
CLKFX180	Clock Output	Synthesized clock output CLKFX, phase shifted by 180° (appears to be an inverted version of CLKFX). Always has a 50% duty cycle. If only CLKFX or CLKFX180 clock outputs are used on the DCM, then no feedback loop is required. See “Frequency Synthesizer (CLKFX, CLKFX180),” and “Half-Period Phase Shifted Outputs.”			✓				
STATUS[0]	Output	Variable Phase Shift Overflow. Control output for “Variable Fine Phase Shifting.” The Variable Phase Shifter has reached its minimum or maximum limit value. The limit value is either ±255 or a lesser value if the phase shifter reached the end of the delay line. See “Variable Fine Phase Shifting,” page 118. Caution! This function is not supported in the Spartan-3E family. In the Spartan-3 family, STATUS[0] also indicates overflow for a fixed phase shift selection. <table border="1" data-bbox="467 1528 1190 1627"> <tr> <td>0</td> <td>The Phase Shifter has not yet reached its limit value.</td> </tr> <tr> <td>1</td> <td>The Phase Shifter has reached its limit value.</td> </tr> </table>	0	The Phase Shifter has not yet reached its limit value.	1	The Phase Shifter has reached its limit value.		✓	
0	The Phase Shifter has not yet reached its limit value.								
1	The Phase Shifter has reached its limit value.								

Table 3-6: DCM Connection Ports (Continued)

Port	Direction	Description	Functional Unit								
			DLL	PS	DFS						
STATUS[1]	Output	<p>CLKIN Input Stopped Indicator. Available only when the CLKFB feedback input is connected. Held in reset until the LOCKED output is asserted. Requires at least one CLKIN cycle to become active. Never asserted if CLKIN never toggles.</p> <table border="1"> <tr> <td>0</td> <td>CLKIN input is toggling.</td> </tr> <tr> <td>1</td> <td>CLKIN input is not toggling, even though the LOCKED output might still be High. See "Momentarily Stopping CLKIN".</td> </tr> </table>	0	CLKIN input is toggling.	1	CLKIN input is not toggling, even though the LOCKED output might still be High. See "Momentarily Stopping CLKIN".	✓	✓	✓		
0	CLKIN input is toggling.										
1	CLKIN input is not toggling, even though the LOCKED output might still be High. See "Momentarily Stopping CLKIN".										
STATUS[2]	Output	<p>CLKFX or CLKFX180 Output Stopped Indicator. See Frequency Synthesizer (CLKFX, CLKFX180).</p> <table border="1"> <tr> <td>0</td> <td>CLKFX and CLKFX180 outputs are toggling.</td> </tr> <tr> <td>1</td> <td>CLKFX and CLKFX180 outputs are not toggling, even though the LOCKED output might still be High. See "Momentarily Stopping CLKIN".</td> </tr> </table>	0	CLKFX and CLKFX180 outputs are toggling.	1	CLKFX and CLKFX180 outputs are not toggling, even though the LOCKED output might still be High. See "Momentarily Stopping CLKIN".			✓		
0	CLKFX and CLKFX180 outputs are toggling.										
1	CLKFX and CLKFX180 outputs are not toggling, even though the LOCKED output might still be High. See "Momentarily Stopping CLKIN".										
STATUS[7:3]	Output	Reserved									
LOCKED	Output	<p>All DCM features have locked onto the CLKIN frequency. Clock outputs are now valid, assuming CLKIN is within specified limits (as described in "DCM Clock Requirements"). See "Frequency Synthesizer (CLKFX, CLKFX180)."</p> <table border="1"> <tr> <td>0</td> <td>DCM is attempting to lock onto CLKIN frequency. DCM clock outputs are not valid.</td> </tr> <tr> <td>1</td> <td>DCM is locked onto CLKIN frequency. DCM clock outputs are valid.</td> </tr> <tr> <td>1-to-0</td> <td>DCM lost lock. Reset DCM.</td> </tr> </table>	0	DCM is attempting to lock onto CLKIN frequency. DCM clock outputs are not valid.	1	DCM is locked onto CLKIN frequency. DCM clock outputs are valid.	1-to-0	DCM lost lock. Reset DCM.	✓	✓	✓
0	DCM is attempting to lock onto CLKIN frequency. DCM clock outputs are not valid.										
1	DCM is locked onto CLKIN frequency. DCM clock outputs are valid.										
1-to-0	DCM lost lock. Reset DCM.										
PSDONE	Output	<p>Variable Phase Shift operation complete. See "Variable Fine Phase Shifting," page 118.</p> <table border="1"> <tr> <td>0</td> <td>No phase shift operation is active or phase shift operation is in progress.</td> </tr> <tr> <td>1</td> <td>Requested phase shift operation is complete. Output High for one PSCLK cycle. Okay to provide next Variable Phase Shift operation.</td> </tr> </table>	0	No phase shift operation is active or phase shift operation is in progress.	1	Requested phase shift operation is complete. Output High for one PSCLK cycle. Okay to provide next Variable Phase Shift operation.		✓			
0	No phase shift operation is active or phase shift operation is in progress.										
1	Requested phase shift operation is complete. Output High for one PSCLK cycle. Okay to provide next Variable Phase Shift operation.										

Attributes, Properties, or Constraints

Table 3-7 lists the various attributes for the Digital Clock Manager. All attributes are set at design time and programmed during configuration. Most, except for the Dynamic Fine Phase Shift function, cannot be changed by the FPGA application at run-time. To set an attribute, set <ATTRIBUTE>=<SETTING> as appropriate for the design entry tool.

Table 3-7: DCM Attributes

Attribute	Allowable Settings and Description						
DLL_FREQUENCY_MODE	<p>Spartan-3 FPGA Family Only. Specifies the allowable frequency range for the CLKIN input and for the output clocks from the DCM's Delay-Locked Loop (DLL) unit. The DLL clock outputs include CLK0, CLK90, CLK180, CLK270, CLK2X, CLK2X180, CLKDV.</p> <table border="1" data-bbox="581 422 1466 793"> <tr> <td data-bbox="581 422 695 562">LOW</td> <td data-bbox="695 422 1466 562">Default. The DLL function unit operates in its low-frequency mode. All DLL-related outputs are available. The frequency for all clock inputs and outputs must fall within the low-frequency DLL limits specified in the Spartan-3 Data Sheet.</td> </tr> <tr> <td data-bbox="581 562 695 793">HIGH</td> <td data-bbox="695 562 1466 793">The DLL function unit operates in its high-frequency mode. The Clock Doubler (CLK2X, CLK2X180) outputs are not available. The Quadrant Phase Shifted Outputs CLK90 and CLK270 are not available. The duty cycle for the CLKDV output is not 50% if the CLKDV_DIVIDE attribute has a non-integer value. The frequency for all clock inputs and outputs must fall within the high-frequency DLL limits specified in the <i>Spartan-3 FPGA Family Data Sheet</i>.</td> </tr> </table>	LOW	Default. The DLL function unit operates in its low-frequency mode. All DLL-related outputs are available. The frequency for all clock inputs and outputs must fall within the low-frequency DLL limits specified in the Spartan-3 Data Sheet.	HIGH	The DLL function unit operates in its high-frequency mode. The Clock Doubler (CLK2X, CLK2X180) outputs are not available. The Quadrant Phase Shifted Outputs CLK90 and CLK270 are not available. The duty cycle for the CLKDV output is not 50% if the CLKDV_DIVIDE attribute has a non-integer value. The frequency for all clock inputs and outputs must fall within the high-frequency DLL limits specified in the <i>Spartan-3 FPGA Family Data Sheet</i> .		
LOW	Default. The DLL function unit operates in its low-frequency mode. All DLL-related outputs are available. The frequency for all clock inputs and outputs must fall within the low-frequency DLL limits specified in the Spartan-3 Data Sheet.						
HIGH	The DLL function unit operates in its high-frequency mode. The Clock Doubler (CLK2X, CLK2X180) outputs are not available. The Quadrant Phase Shifted Outputs CLK90 and CLK270 are not available. The duty cycle for the CLKDV output is not 50% if the CLKDV_DIVIDE attribute has a non-integer value. The frequency for all clock inputs and outputs must fall within the high-frequency DLL limits specified in the <i>Spartan-3 FPGA Family Data Sheet</i> .						
CLKIN_PERIOD	Specifies in ns the period of the clock used to drive the CLKIN pin of the DCM. Optional input, primarily used only for DRC checks. On Spartan-3E and Spartan-3A/3AN/3A DSP FPGAs, setting CLKIN_PERIOD helps reduce DFS jitter and results in faster locking time.						
CLK_FEEDBACK	<p>Defines the frequency of the feedback clock.</p> <table border="1" data-bbox="581 1014 1466 1192"> <tr> <td data-bbox="581 1014 695 1062">1X</td> <td data-bbox="695 1014 1466 1062">Default. CLK0 feedback. Same frequency as CLKIN.</td> </tr> <tr> <td data-bbox="581 1062 695 1110">2X</td> <td data-bbox="695 1062 1466 1110">CLK2X feedback. Double the frequency of CLKIN.</td> </tr> <tr> <td data-bbox="581 1110 695 1192">None</td> <td data-bbox="695 1110 1466 1192">No feedback. Allowed if using only the CLKFX or CLKFX180 outputs.</td> </tr> </table>	1X	Default. CLK0 feedback. Same frequency as CLKIN.	2X	CLK2X feedback. Double the frequency of CLKIN.	None	No feedback. Allowed if using only the CLKFX or CLKFX180 outputs.
1X	Default. CLK0 feedback. Same frequency as CLKIN.						
2X	CLK2X feedback. Double the frequency of CLKIN.						
None	No feedback. Allowed if using only the CLKFX or CLKFX180 outputs.						
DUTY_CYCLE_CORRECTION	<p>Spartan-3 FPGAs only. Enables or disables the 50% duty-cycle correction for the CLK0, CLK90, CLK180, and CLK270 outputs from the DLL unit. The duty cycles for all outputs on Spartan-3E and Spartan-3A/3AN/3A DSP FPGAs are always corrected to 50%.</p> <table border="1" data-bbox="581 1356 1466 1455"> <tr> <td data-bbox="581 1356 695 1404">TRUE</td> <td data-bbox="695 1356 1466 1404">Default. Enable duty-cycle correction.</td> </tr> <tr> <td data-bbox="581 1404 695 1455">FALSE</td> <td data-bbox="695 1404 1466 1455">Disable duty-cycle correction.</td> </tr> </table>	TRUE	Default. Enable duty-cycle correction.	FALSE	Disable duty-cycle correction.		
TRUE	Default. Enable duty-cycle correction.						
FALSE	Disable duty-cycle correction.						
CLKDV_DIVIDE	<p>Defines the frequency of the CLKDV output. Allowable values for CLKDV_DIVIDE include 1.5, 2, 2.5, 3, 3.5, 4, 4.5, 5, 5.5, 6, 6.5, 7, 7.5, 8, 9, 10, 11, 12, 13, 14, 15, 16.</p> $F_{CLKDV} = \frac{F_{CLKIN}}{CLKDV_DIVIDE}$ <p>The locking time is longer, and there is more output jitter when CLKDV_DIVIDE is a non-integer value.</p>						

Table 3-7: DCM Attributes (Continued)

Attribute	Allowable Settings and Description						
CLKFX_MULTIPLY	<p>Defines the multiplication factor for the frequency of the CLKFX and CLKFX180 outputs. Used in conjunction with the CLKFX_DIVIDE attribute. Allowable values for CLKFX_MULTIPLY include integers ranging from 2 to 32. Default value is 4.</p> $F_{CLKFX} = F_{CLKIN} \cdot \frac{CLKFX_MULTIPLY}{CLKFX_DIVIDE}$						
CLKFX_DIVIDE	<p>Defines the division factor for the frequency of the CLKFX and CLKFX180 outputs. Used in conjunction with the CLKFX_MULTIPLY attribute. Allowable values for CLKFX_DIVIDE include integers ranging from 1 to 32. Default value is 1.</p> $F_{CLKFX} = F_{CLKIN} \cdot \frac{CLKFX_MULTIPLY}{CLKFX_DIVIDE}$						
PHASE_SHIFT	<p>The PHASE_SHIFT attribute is applicable only if the CLKOUT_PHASE_SHIFT attribute is set to FIXED or VARIABLE. Defines the rising-edge skew between CLKIN and all the DCM clock outputs at configuration and consequently phase shifts the DCM clock outputs.</p> <p>The skew or phase shift value is specified as an integer that represents a fraction of the clock period as expressed in the equations in "Fine Phase Shifting." The integer value must range from -255 to 255. The default is 0. Actual allowable values depend on input clock frequency. The actual range is less when $T_{CLKIN} > FINE_SHIFT_RANGE$. The FINE_SHIFT_RANGE specification represents the total delay of all taps in the delay line. See "Fine Phase Shifting," for more information.</p>						
CLKOUT_PHASE_SHIFT	<p>Sets the phase shift mode. Together with the PHASE_SHIFT constraint, implements the Digital Phase Shifter (DPS) feature of the DCM. Affects all DCM clock outputs from both the DLL and DFS units. See "Fine Phase Shifting," for more information.</p> <table border="1" data-bbox="581 1224 1468 1549"> <tbody> <tr> <td data-bbox="581 1224 751 1335">NONE</td> <td data-bbox="751 1224 1468 1335">Default. CLKIN and CLKFB are in phase (no skew) and phase relationship cannot be changed. Equivalent to FIXED setting with a PHASE_SHIFT value of 0.</td> </tr> <tr> <td data-bbox="581 1335 751 1413">FIXED</td> <td data-bbox="751 1335 1468 1413">Phase relationship is set at configuration by the PHASE_SHIFT attribute value and cannot be changed by the application.</td> </tr> <tr> <td data-bbox="581 1413 751 1549">VARIABLE</td> <td data-bbox="751 1413 1468 1549">Phase relationship is set at configuration by the PHASE_SHIFT attribute value but can be changed by the application using the Variable Phase Shift controls, PSEN, PSCLK, PSINCDEC, and PSDONE.</td> </tr> </tbody> </table>	NONE	Default. CLKIN and CLKFB are in phase (no skew) and phase relationship cannot be changed. Equivalent to FIXED setting with a PHASE_SHIFT value of 0.	FIXED	Phase relationship is set at configuration by the PHASE_SHIFT attribute value and cannot be changed by the application.	VARIABLE	Phase relationship is set at configuration by the PHASE_SHIFT attribute value but can be changed by the application using the Variable Phase Shift controls, PSEN , PSCLK , PSINCDEC , and PSDONE .
NONE	Default. CLKIN and CLKFB are in phase (no skew) and phase relationship cannot be changed. Equivalent to FIXED setting with a PHASE_SHIFT value of 0.						
FIXED	Phase relationship is set at configuration by the PHASE_SHIFT attribute value and cannot be changed by the application.						
VARIABLE	Phase relationship is set at configuration by the PHASE_SHIFT attribute value but can be changed by the application using the Variable Phase Shift controls, PSEN , PSCLK , PSINCDEC , and PSDONE .						

Table 3-7: DCM Attributes (Continued)

Attribute	Allowable Settings and Description				
DESKEW_ADJUST	<p>Controls the clock delay alignment between the FPGA clock input pin and the DCM output clocks. See “Skew Adjustment.”</p> <table border="1" data-bbox="581 359 1464 520"> <tr> <td data-bbox="581 359 963 436">SYSTEM_SYNCHRONOUS</td> <td data-bbox="963 359 1464 436">Default. All devices clocked by a common, system-wide clock source.</td> </tr> <tr> <td data-bbox="581 436 963 520">SOURCE_SYNCHRONOUS</td> <td data-bbox="963 436 1464 520">Clock is provided by the data source, i.e., source-synchronous applications.</td> </tr> </table> <p>Do not use this setting to phase shift DCM clock outputs. Instead, use the CLKOUT_PHASE_SHIFT and PHASE_SHIFT constraints to achieve accurate phase shifting.</p>	SYSTEM_SYNCHRONOUS	Default. All devices clocked by a common, system-wide clock source.	SOURCE_SYNCHRONOUS	Clock is provided by the data source, i.e., source-synchronous applications.
SYSTEM_SYNCHRONOUS	Default. All devices clocked by a common, system-wide clock source.				
SOURCE_SYNCHRONOUS	Clock is provided by the data source, i.e., source-synchronous applications.				
DFS_FREQUENCY_MODE	<p>Spartan-3 FPGA Family Only. Specifies the allowable frequency range for the CLKFX and CLKFX180 output clocks from the DCM’s Digital Frequency Synthesizer (DFS). If any DLL clock outputs are used, then the more restrictive DLL_FREQUENCY_MODE limits the CLKIN input frequency.</p> <table border="1" data-bbox="581 785 1464 1129"> <tr> <td data-bbox="581 785 695 953">LOW</td> <td data-bbox="695 785 1464 953">Default. The DFS function unit operates in its low-frequency mode. The frequency for the CLKFX and CLKFX180 outputs must fall within the low-frequency DFS limits specified in the Spartan-3 Data Sheet. The frequency limits for the CLKIN input depend on if any DLL clock outputs are used.</td> </tr> <tr> <td data-bbox="581 953 695 1129">HIGH</td> <td data-bbox="695 953 1464 1129">The DFS function unit operates in its high-frequency mode. The frequency for the CLKFX and CLKFX180 outputs must fall within the high-frequency DFS limits specified in the Spartan-3 Data Sheet. The frequency limits for the CLKIN input depend on if any DLL clock outputs are used.</td> </tr> </table>	LOW	Default. The DFS function unit operates in its low-frequency mode. The frequency for the CLKFX and CLKFX180 outputs must fall within the low-frequency DFS limits specified in the Spartan-3 Data Sheet. The frequency limits for the CLKIN input depend on if any DLL clock outputs are used.	HIGH	The DFS function unit operates in its high-frequency mode. The frequency for the CLKFX and CLKFX180 outputs must fall within the high-frequency DFS limits specified in the Spartan-3 Data Sheet. The frequency limits for the CLKIN input depend on if any DLL clock outputs are used.
LOW	Default. The DFS function unit operates in its low-frequency mode. The frequency for the CLKFX and CLKFX180 outputs must fall within the low-frequency DFS limits specified in the Spartan-3 Data Sheet. The frequency limits for the CLKIN input depend on if any DLL clock outputs are used.				
HIGH	The DFS function unit operates in its high-frequency mode. The frequency for the CLKFX and CLKFX180 outputs must fall within the high-frequency DFS limits specified in the Spartan-3 Data Sheet. The frequency limits for the CLKIN input depend on if any DLL clock outputs are used.				
STARTUP_WAIT	<p>Controls whether the FPGA configuration signal DONE waits for the DCM to assert its LOCKED signal before going High.</p> <table border="1" data-bbox="581 1234 1464 1514"> <tr> <td data-bbox="581 1234 695 1312">FALSE</td> <td data-bbox="695 1234 1464 1312">Default. DONE is asserted at the end of configuration without waiting for the DCM to assert LOCKED.</td> </tr> <tr> <td data-bbox="581 1312 695 1514">TRUE</td> <td data-bbox="695 1312 1464 1514">The DONE signal does not go High until the LOCKED signal goes HIGH on the associated DCM. STARTUP_WAIT does not prevent LOCKED from going High. The FPGA startup sequence must also be modified to insert a LCK (lock) cycle before the postponed cycle (see “Bitstream Generation Settings”). Either the DONE cycle or GWE cycle are typical choices.</td> </tr> </table> <p>If more than one DCM is so configured, the FPGA waits until all DCMs are locked.</p>	FALSE	Default. DONE is asserted at the end of configuration without waiting for the DCM to assert LOCKED.	TRUE	The DONE signal does not go High until the LOCKED signal goes HIGH on the associated DCM. STARTUP_WAIT does not prevent LOCKED from going High. The FPGA startup sequence must also be modified to insert a LCK (lock) cycle before the postponed cycle (see “Bitstream Generation Settings”). Either the DONE cycle or GWE cycle are typical choices.
FALSE	Default. DONE is asserted at the end of configuration without waiting for the DCM to assert LOCKED.				
TRUE	The DONE signal does not go High until the LOCKED signal goes HIGH on the associated DCM. STARTUP_WAIT does not prevent LOCKED from going High. The FPGA startup sequence must also be modified to insert a LCK (lock) cycle before the postponed cycle (see “Bitstream Generation Settings”). Either the DONE cycle or GWE cycle are typical choices.				

Table 3-7: DCM Attributes (Continued)

Attribute	Allowable Settings and Description						
CLKIN_DIVIDE_BY_2	<p>Optionally divides the CLKIN in half before entering DCM block. In some applications, reduces the input clock frequency to within acceptable limits. Can be used for either DLL or DFS.</p> <table border="1"> <tr> <td>FALSE</td> <td>Default. CLKIN input directly feeds the DCM block.</td> </tr> <tr> <td>TRUE</td> <td>Divides CLKIN frequency in half and provides roughly a 50% duty-cycle clock before entering the DCM block. Helpful with high-frequency clocks to meet the DCM input clock frequency or duty-cycle requirements. Divides the clock frequency in half when determining operating frequency modes and calculating phase shift limits.</td> </tr> </table>	FALSE	Default. CLKIN input directly feeds the DCM block.	TRUE	Divides CLKIN frequency in half and provides roughly a 50% duty-cycle clock before entering the DCM block. Helpful with high-frequency clocks to meet the DCM input clock frequency or duty-cycle requirements. Divides the clock frequency in half when determining operating frequency modes and calculating phase shift limits.		
FALSE	Default. CLKIN input directly feeds the DCM block.						
TRUE	Divides CLKIN frequency in half and provides roughly a 50% duty-cycle clock before entering the DCM block. Helpful with high-frequency clocks to meet the DCM input clock frequency or duty-cycle requirements. Divides the clock frequency in half when determining operating frequency modes and calculating phase shift limits.						
FACTORY_JF	<p>Spartan-3 FPGA Family Only. Controls how often the DCM’s DLL unit adjusts its tap settings. The FACTORY_JF setting affects the jitter characteristics of the DLL element.</p> <p>The settings are automatically adjusted based on the DLL_FREQUENCY_MODE attribute.</p> <table border="1"> <thead> <tr> <th>DLL_FREQUENCY_MODE</th> <th>FACTORY_JF</th> </tr> </thead> <tbody> <tr> <td>LOW</td> <td>0x8080</td> </tr> <tr> <td>HIGH</td> <td>0x8080</td> </tr> </tbody> </table> <p>Do not change the default values unless otherwise recommended (see “Adjusting FACTORY_JF Setting (Spartan-3 FPGA Family Only)”).</p>	DLL_FREQUENCY_MODE	FACTORY_JF	LOW	0x8080	HIGH	0x8080
DLL_FREQUENCY_MODE	FACTORY_JF						
LOW	0x8080						
HIGH	0x8080						
LOC	Specifies the physical location of the DCM.						

DCM Clock Requirements

The DCM is built for maximum flexibility, but there are certain requirements on clock frequency and clock stability, both frequency variation and clock jitter.

Input Clock Frequency Range

The DCM clock input frequency depends on whether the DLL functional unit, the DFS unit, or both are utilized in the application.

Table 3-8: DFS Unit Clock Input Frequency Requirements (-4 Speed Grade)

Function	Minimum Frequency	Maximum Frequency	Units
Data Sheet Specification	CLKIN_FREQ_FX_MIN	CLKIN_FREQ_FX_MAX	
Spartan-3 FPGA	1	280	MHz
Spartan-3E FPGA	0.200	333	MHz
Spartan-3A/3AN/3A DSP FPGA	0.200	333	MHz

Table 3-8 shows the clock input, [CLKIN](#), frequency range for the [Digital Frequency Synthesizer \(DFS\)](#) unit. The DFS unit, if used stand-alone, has a wider frequency range

than the DLL unit. If the application uses both units, then the more restrictive DLL requirements apply. The table shows the data sheet specification name and an estimated value. The actual value depends on which speed grade is required for the design and the value specified in the data sheet takes precedence over the estimate.

Table 3-9 and Table 3-10 show the clock input, CLKIN, frequency range for the Delay-Locked Loop (DLL) unit. The DLL frequency restrictions apply regardless if the DLL is used stand-alone or with the DFS unit. The table shows the data sheet specification name and value. The actual value depends on which speed grade is required for the design, and the value specified in the data sheet takes precedence over any values shown in this user guide.

Spartan-3E and Spartan-3A/3AN/3A DSP FPGAs have a single DLL operating range, as shown in Table 3-9. The frequencies shown for Spartan-3E FPGAs are for the Stepping 1 revision.

Table 3-9: Spartan-3E/3A/3AN/3A DSP FPGAs: DLL Unit Clock Input Frequency Requirements

Spartan-3 Generation FPGA Family	Speed Grade	Minimum	Maximum	Units
		CLKIN_FREQ_DLL_MIN	CLKIN_FREQ_DLL_MAX	
Extended Spartan-3A FPGAs	-4	5	250	MHz
	-5		280	MHz
Spartan-3E (Stepping 1) FPGAs	-4		240	MHz
	-5		270	MHz

Table 3-10 shows the frequency range for Spartan-3 FPGAs, where the DLL has two distinct operating frequency ranges, called Low and High. The operating mode is controlled by the `DLL_FREQUENCY_MODE` attribute.

Table 3-10: Spartan-3 FPGAs: DLL Unit Clock Input Frequency Requirements

Spartan-3 Generation FPGA Family	DLL Frequency Mode Attribute (<code>DLL_FREQUENCY_MODE</code>)			
	= LOW		= HIGH	
	Minimum Frequency	Maximum Frequency	Minimum Frequency	Maximum Frequency
	CLKIN_FREQ_DLL_LF_MIN	CLKIN_FREQ_DLL_LF_MAX	CLKIN_FREQ_DLL_HF_MIN	CLKIN_FREQ_DLL_HF_MAX
Spartan-3 FPGAs	18 MHz	167 MHz	48 MHz	280 MHz

Spartan-3E and Spartan-3A/3AN/3A DSP DLLs support input clock frequencies as low as 5 MHz, whereas the Spartan-3 DLL requires at least 18 MHz.

Output Clock Frequency Range

The various DCM output clocks also have a specified frequency range. See the “[Input and Output Clock Frequency Restrictions](#)” section for more information.

Input Clock and Clock Feedback Variation

As described later in the “[A Stable, Monotonic Clock Input](#)” section, the DCM expects a stable, monotonic clock input. However, for maximum flexibility, the DCM tolerates a

certain amount of clock jitter on the **CLKIN** input and a reasonable amount of frequency variation on both the **CLKIN** input and the **CLKFB** clock feedback input.

There are two types of jitter tolerance on the **CLKIN** input.

- *Cycle-to-cycle* jitter
- *Period* jitter

Cycle-to-Cycle Jitter

Cycle-to-cycle jitter indicates how much the **CLKIN** input period is allowed to change from one cycle to the next. The maximum allowable cycle-to-cycle change is shown in [Table 3-11](#), including the data sheet specification name and an estimated value. The table also indicates when the specification applies. While Spartan-3E and Spartan-3A/3AN/3A DSP FPGAs have one distinct operating range, the acceptable amount of cycle-to-cycle jitter decreases at input frequencies about 150 MHz. For Spartan-3 FPGAs, the limits apply depending on the **DLL_FREQUENCY_MODE** attribute setting.

Table 3-11: Maximum Allowable Cycle-to-Cycle Jitter

Functional Unit	Frequency Mode/Frequency Range	
	Low	High
DLL	CLKIN_CYC_JITT_DLL_LF	CLKIN_CYC_JITT_DLL_HF
DFS	CLKIN_CYC_JITT_FX_LF	CLKIN_CYC_JITT_FX_HF
Cycle-to-cycle jitter	±300 ps	±150 ps
Spartan-3E, Spartan-3A/3AN/3A DSP FPGAs	When $F_{CLKIN/FX} \leq 150$ MHz	When $F_{CLKIN/FX} > 150$ MHz
Spartan-3 FPGAs	When DLL_FREQUENCY_MODE = LOW	When DLL_FREQUENCY_MODE = HIGH

Period Jitter

The other applicable type of jitter is called period jitter. Period jitter indicates the maximum variation in the clock period over millions of clock cycles. Cycle-to-cycle jitter shows the change from one clock cycle to the next while period jitter indicates the maximum range of change over time. The maximum allowable period jitter appears in [Table 3-12](#), including the data sheet specification name and an estimated value.

Table 3-12: Maximum Allowable Period Jitter

Functional Unit	Frequency Mode	
	Low	High
DLL	CLKIN_PER_JITT_DLL_LF	CLKIN_PER_JITT_DLL_HF
DFS	CLKIN_PER_JITT_FX_LF	CLKIN_PER_JITT_FX_HF
Period jitter	± 1,000 ps (± 1 ns)	

DLL Feedback Delay Variance

Another source of stability for the DCM is the clock feedback path used by the DLL unit. The feedback path delay variance must also be within the limit shown in [Table 3-13](#). This limit only applies to an external feedback path as any on-chip variance is minimal when connected to a global clock line.

Table 3-13: External Feedback Path Delay Variation

Description	Specification
Maximum allowable variation in off-chip CLKFB feedback path	CLKFB_DELAY_VAR_EXT ±1,000 ps (±1 ns)

Spread Spectrum Clocks

The Spartan-3E, Spartan-3A, Spartan-3AN, and Spartan-3A DSP FPGA DCMs accept typical spread spectrum clocks. The DLL part of the DCM tracks the frequency changes created by the typical spread spectrum clock, to drive the global clocks to the FPGA fabric. The spread spectrum clock must meet the DLL input requirements as specified in the device data sheets. See the Input Clock Jitter Tolerance and Delay Path Variation specifications in the Recommended Operating Conditions for the DLL, CLKIN_CYC_JITT_DLL and CLKIN_PER_JITT_DLL.

The DFS can track a typical spread spectrum input as long as it meets the input clock specifications. If phase shift is used, it should be set to FIXED. See [XAPP469](#) for more details.

Optimal DCM Clock and External Feedback Inputs

Each DCM has multiple optimal inputs for an incoming clock signal or external feedback signal.

Spartan-3E FPGA DCM Clock Inputs

Table 3-14 through Table 3-16 list the direct inputs to each DCM on Spartan-3E FPGAs. Each DCM has up to four direct input pins, used for clock or external feedback connections. Optionally, these pins are also the direct inputs to the global buffers on the FPGA. Each table shows all four possible direct inputs, the associated pin number by package, the associated GCLK, RHCLK, or LHCLK clock input, and the BUFGMUX clock buffers associated with each DCM. Lastly, each table also includes the LOC location attribute string from the DCM, the associated BUFGMUX buffers, and the direct input pins.

The pin number is shown for each potential direct input. Two associated pins can be combined to form a differential clock input.

Table 3-14, page 80 shows the direct connections to the DCMs associated with the global clock network. These DCMs are the best choice for the highest-speed clocks in the design and for clocks with the highest fanout. The top DCMs are associated with I/O Bank 0, and the bottom DCMs are associated with I/O Bank 2. The XC3S100E has only two “global” DCMs, located in the upper right and lower right. The outputs from a “global” DCM drive up to four BUFGMUX clock buffers along the same edge. The two DCMs along an edge share these four clock buffers. Each of these buffers, in turn, connects to one of the eight global clock lines.

Table 3-15, page 81 and Table 3-16, page 81 show the direct connections to the left- and right-edge DCMs available on the XC3S1200E and XC3S1600E FPGAs. The output clocks from these DCMs are available on the associated half of the FPGA. The left-edge DCMs are associated with I/O Bank 3, and the right-edge DCMs are associated with I/O Bank 1. The outputs from a left-edge or right-edge DCM each drive up to four BUFGMUX clock buffers along the same edge, each of which connects to one of the eight clock lines. These BUFGMUX buffers provide clocks to half of the chip, whereas the “global” DCMs provide clocks to the entire FPGA.

Table 3-14: Spartan-3E FPGA: Direct Input Connections and Optional External Feedback to Associated DCMs

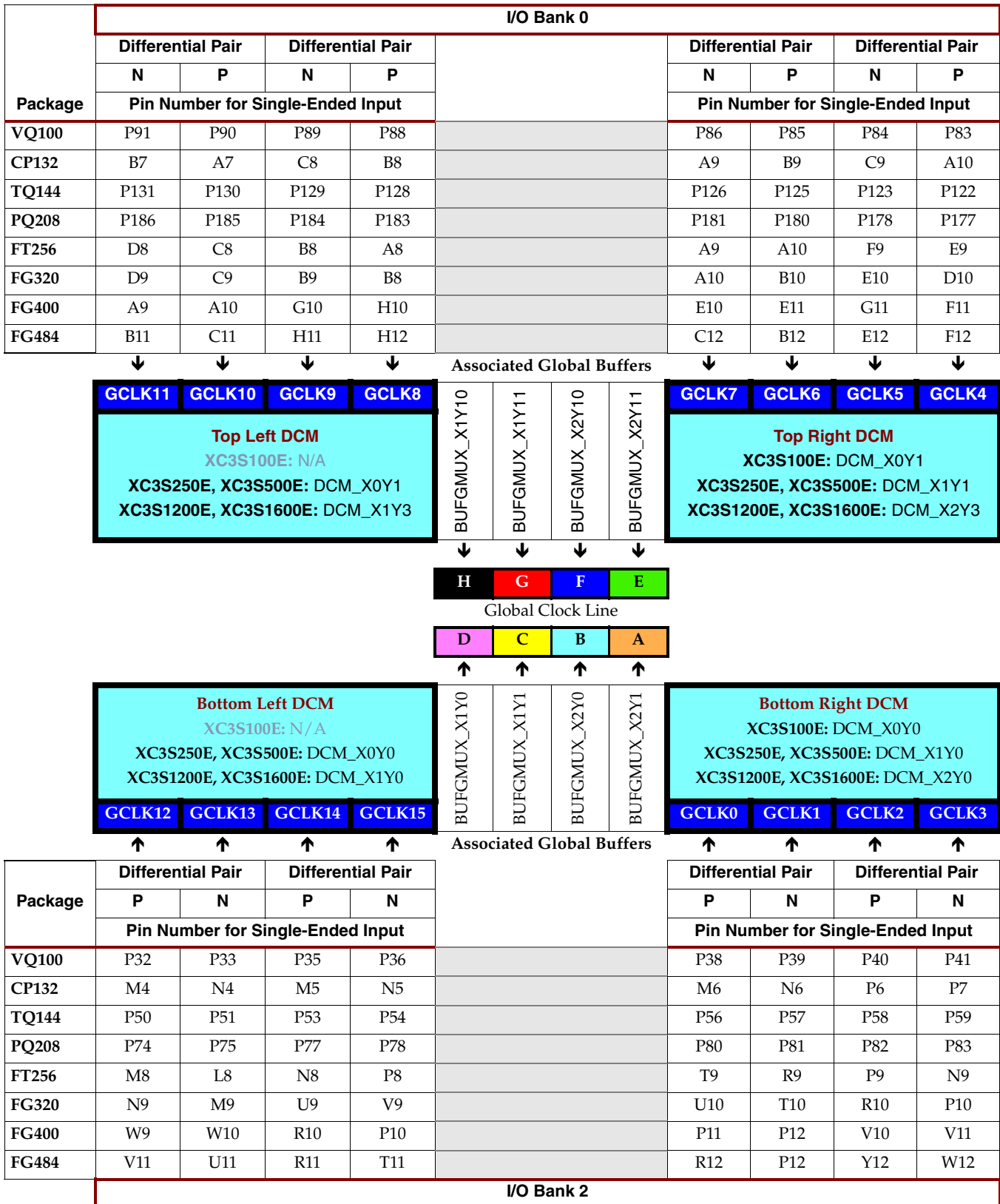


Table 3-15: Spartan-3E FPGA: Direct Input and Optional External Feedback to Left-Edge DCMs (XC3S1200E and XC3S1600E)

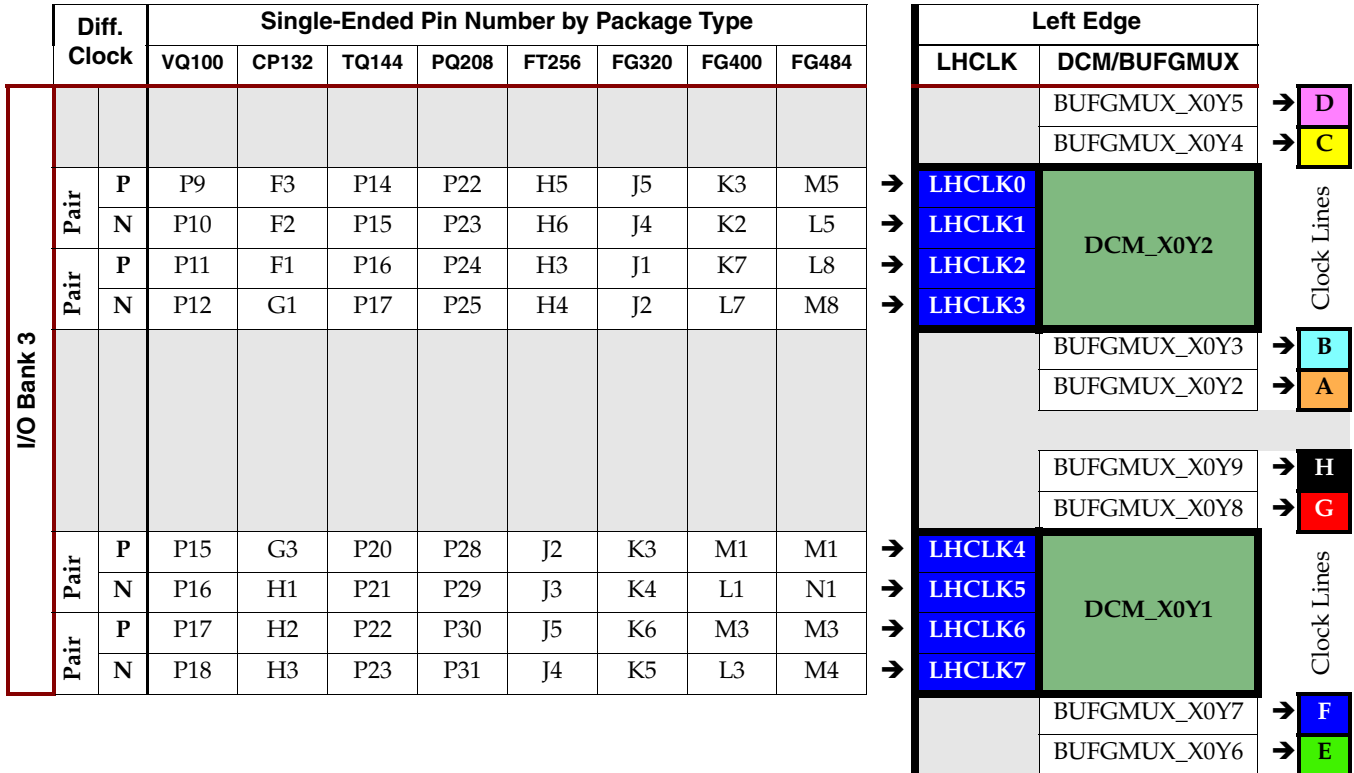
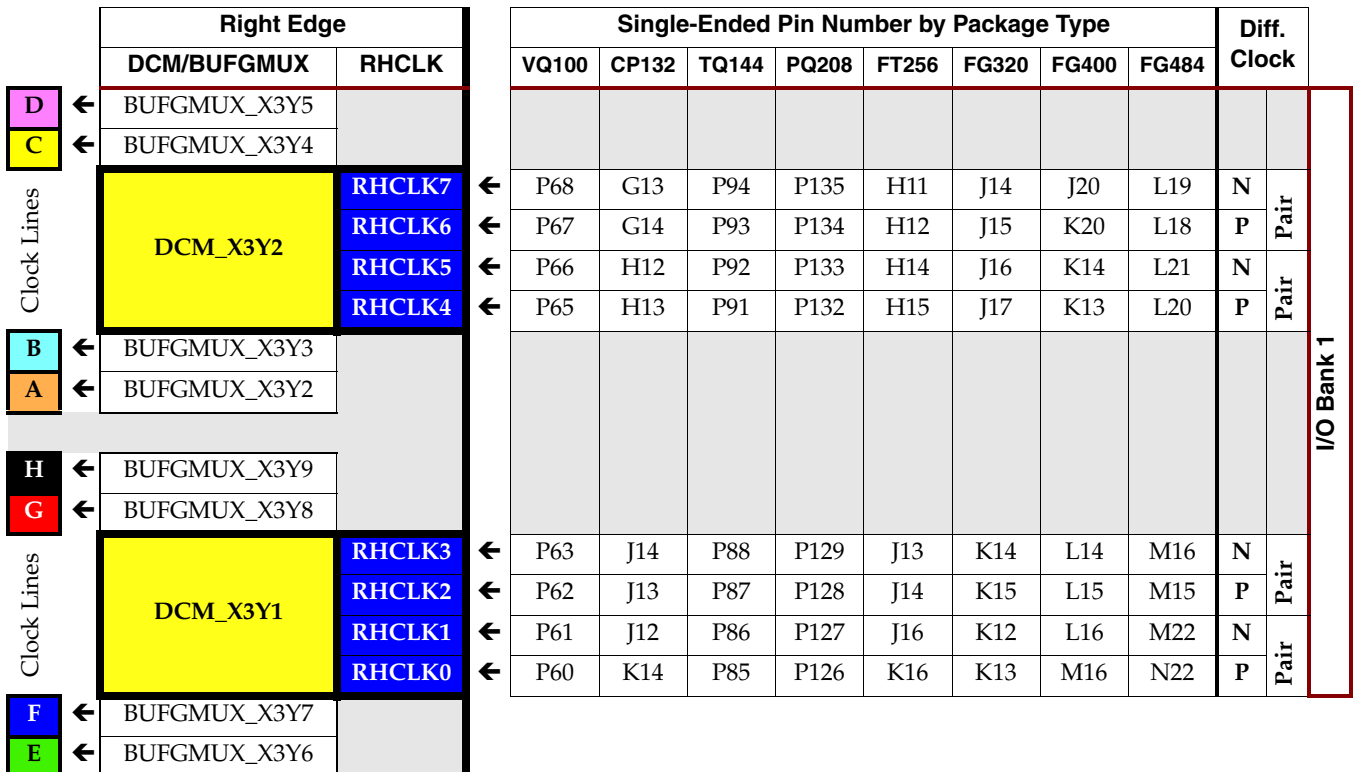


Table 3-16: Spartan-3E FPGA: Direct Input and Optional External Feedback to Right-Edge DCMs (XC3S1200E and XC3S1600E)



Spartan-3A/3AN/3A DSP FPGA DCM Clock Inputs

Table 3-18 through Table 3-20 list the direct inputs to each DCM on Extended Spartan-3A family FPGAs. References to Spartan-3A platform part numbers also apply to the Spartan-3AN platform. Each DCM has up to four direct input pins, used for clock or external feedback connections. Optionally, these pins are also the direct inputs to the global buffers on the FPGA. Each table shows all four possible direct inputs, the associated pin number by package, the associated GCLK, RHCLK, or LHCLK clock input, and the BUFGMUX clock buffers associated with each DCM. Lastly, each table also includes the LOC location attribute string from the DCM, the associated BUFGMUX buffers, and the direct input pins.

The pin number is shown for each potential direct input. Two associated pins can be combined to form a differential clock input.

Table 3-18, page 83 shows the direct connections to the DCMs associated with the global clock network. These DCMs are the best choice for the highest-speed clocks in the design and for clocks with the highest fanout. The top DCMs are associated with I/O Bank 0, and the bottom DCMs are associated with I/O Bank 2. The XC3S50A has only two “global” DCMs, those located in the upper left and upper right. The outputs from a “global” DCM drive up to four BUFGMUX clock buffers along the same edge. The two DCMs along an edge share these four clock buffers. Each of these buffers, in turn, connects to one of the eight global clock lines.

Table 3-19, page 84 and Table 3-20, page 84 show the direct connections to the left- and right-edge DCMs available on the XC3S700A and XC3S1400A and Spartan-3A DSP FPGAs. The output clocks from these DCMs are available on the associated half of the FPGA. The left-edge DCMs are associated with I/O Bank 3, and the right-edge DCMs are associated with I/O Bank 1. The outputs from a left-edge or right-edge DCM each drive up to four BUFGMUX clock buffers along the same edge, each of which connects to one of the eight clock lines. These BUFGMUX buffers provide clocks to half of the chip, whereas the “global” DCMs provide clocks to the entire FPGA.

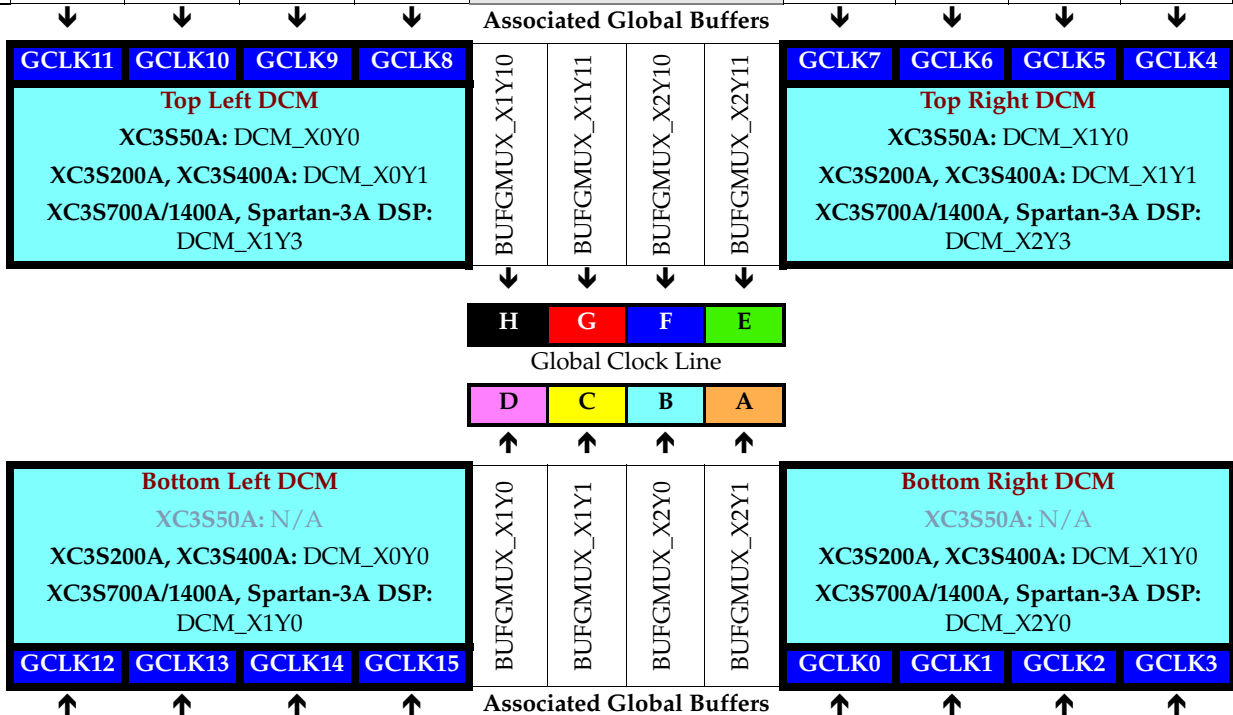
When using the DCM to generate high speed clocks to drive the double data rate ODDR2, a specific BUFGMUX is recommended for CLKFX and another BUFGMUX is recommended for CLKFX180 to minimize period jitter. See Table 3-17.

Table 3-17: Recommended DCM/BUFG Connections

DCM			Recommended BUFGMUX	
XC3S50A/AN	XC3S200A/AN XC3S400A/AN	XC3S700A/AN XC3S1400A/AN XC3SD1800A XC3SD3400A	CLKFX	CLKFX180
-	X0Y0	X1Y0	X2Y1	X1Y0
-	X1Y0	X2Y0	X2Y1	X1Y0
-	-	X0Y1	X0Y6	X0Y9
-	-	X0Y2	X0Y2	X0Y5
X0Y0	X0Y1	X1Y3	X2Y11	X1Y10
X1Y0	X1Y1	X2Y3	X2Y11	X1Y10
-	-	X3Y2	X3Y2	X3Y5
-	-	X3Y1	X3Y6	X3Y9

Table 3-18: Spartan-3A/3AN/3A DSP FPGA: Direct Input Connections & Optional External DCM Feedback

Package	I/O Bank 0								
	Differential Pair		Differential Pair			Differential Pair		Differential Pair	
	N	P	N	P		N	P	N	P
	Pin Number for Single-Ended Input				Pin Number for Single-Ended Input				
VQ100	P90	N/A	P89	P88		P86	P85	P84	P83
TQ144	P132	P130	P131	P129		P127	P125	P126	P124
FT256	B8	A8	D8	C8		A9	C9	D9	C10
FG320	C8	B8	B7	A8		B9	A10	C9	B10
FG400	A9	A10	G10	D10		E10	E11	G11	F11
CS484	B8	A8	E11	F10		B9	A9	F11	E12
FG484	E11	D11	C11	B11		A11	A12	E12	C12
FG676	C13	B13	G13	F13		A14	B14	J14	K14



Package	Differential Pair		Differential Pair			Differential Pair		Differential Pair	
	P	N	P	N		P	N	P	N
	Pin Number for Single-Ended Input					Pin Number for Single-Ended Input			
VQ100	N/A	N/A	P40	P41		P43	P44	N/A	N/A
TQ144	N/A	N/A	P54	P55		P57	P59	P58	P60
FT256	R7 ⁽¹⁾	T7 ⁽¹⁾	P8	T8		N9	P9	R9	T9
FG320	U8	V8	U9	V9		U10	T10	V11	U11
FG400	W9	Y9	V10	W10		Y11	V11	U11	V12
CS484	Y11	Y10	AA12	AB12		U12	V12	AB13	AA14
FG484	U11	V11	W12	Y12		AA12	AB12	V12	U12
FG676	AA13	Y13	AF13	AE13		Y14	AA14	AF14	AE14

I/O Bank 2

1. N/A in XC3S50A

Table 3-19: Spartan-3A/3AN/3A DSP FPGA: Direct Clock Input and Optional External Feedback to Left-Edge DCMs (XC3S700A/AN, XC3S1400A/AN, and Spartan-3A DSP FPGAs)

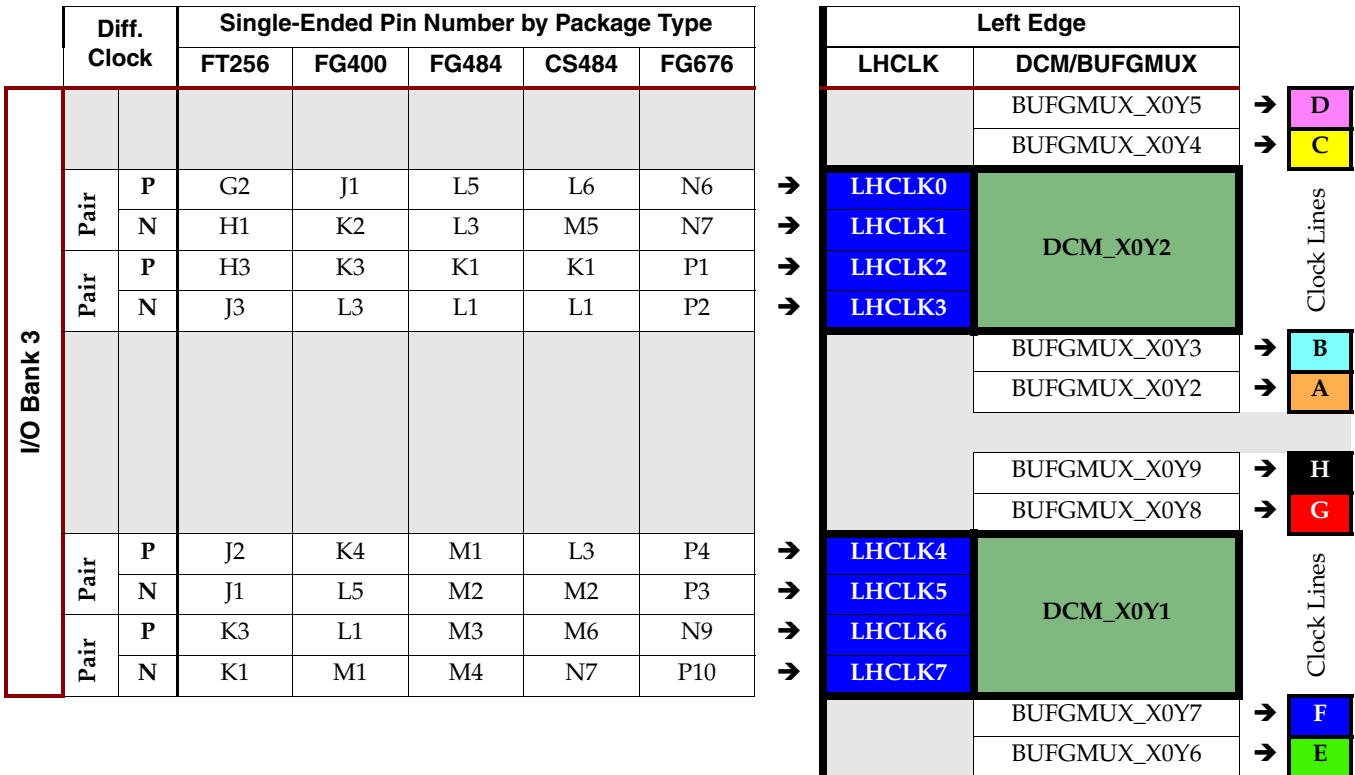
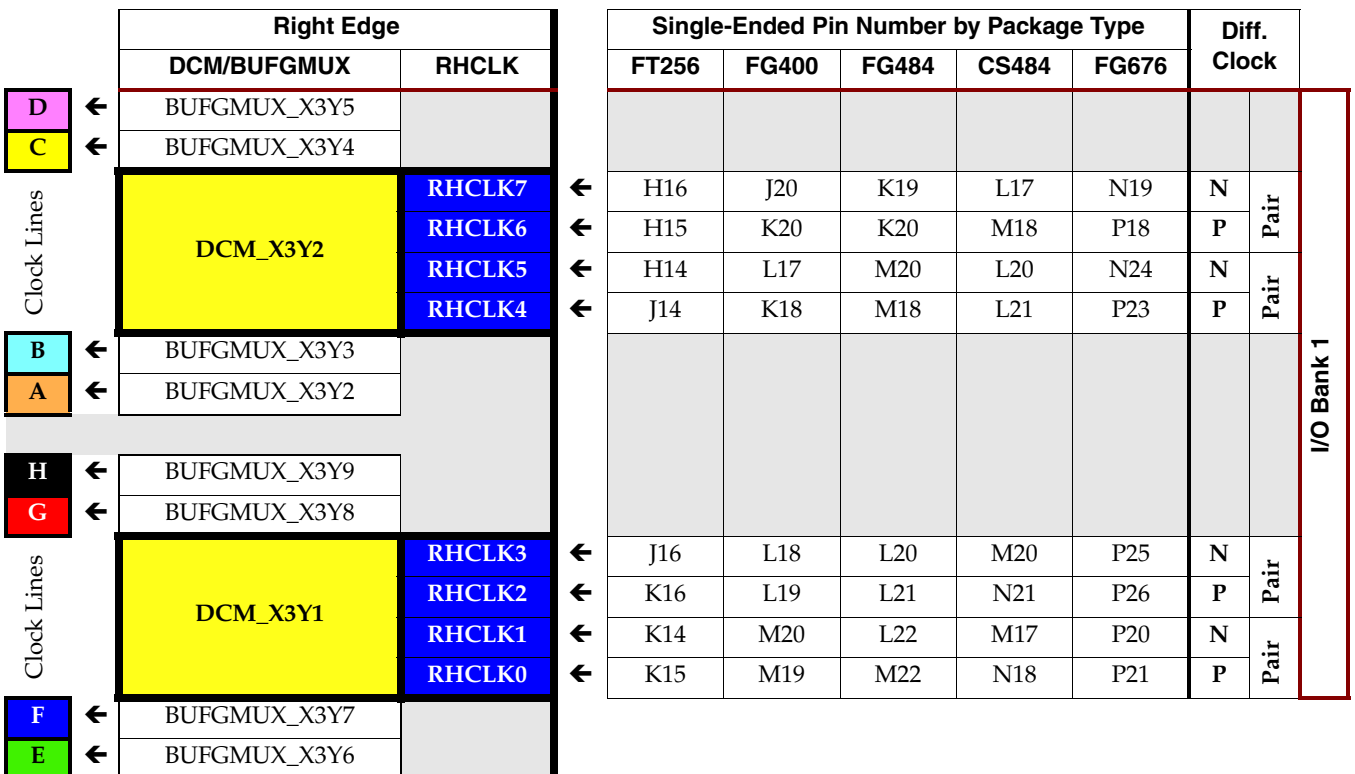


Table 3-20: Spartan-3A/3AN/3A DSP FPGA: Direct Clock Input and Optional External Feedback to Right-Edge DCMs (XC3S700A/AN, XC3S1400A/AN, and Spartan-3A DSP FPGAs)



LOCKED Output Behavior

The DCM's **LOCKED** output indicates when all the enabled DCM functions have locked to the CLKIN input. When the DCM asserts LOCKED, the output clocks are valid for use within the FPGA application.

Figure 3-5 shows the behavior of the LOCKED output. The LOCKED output is Low immediately after the FPGA finishes its configuration process and is Low whenever the **RST** input is asserted.

After configuration, the DCM always attempts to lock, whether the **CLKIN** signal is valid yet or not. If the input clock changes, assert the RST input until the CLKIN input stabilizes. Once the RST input is released, the DCM again relocks to the new CLKIN input frequency. The DLL unit uses both the CLKIN input and the CLKFB feedback input to determine when locking is complete, that is, when the rising edges of CLKIN and CLKFB are phase-aligned. The DFS unit monitors the CLKIN input to determine if a valid frequency is present on CLKIN. To achieve lock, the DCM might need to sample several thousand clock cycles.

The DCM asserts its **LOCKED** output High when its internal state machine has locked onto the **CLKIN** input. The DCM clock outputs are then valid and available for use within the FPGA application. The DCM timing section of the data sheet provides worst-case locking times. In general, the DLL unit outputs lock faster with increasing clock frequency. The DFS unit outputs require significantly longer to lock, depending on the multiply and divide factors. Smaller multiply and divide factors result in faster lock times.

To guarantee that the system clock is established before the FPGA completes its configuration process, the DCM can optionally delay the completion of the configuration process until after the DCM locks. The **STARTUP_WAIT** attribute activates this feature.

Until LOCKED is High, there is no guarantee how the DCM clock outputs behave. The DCM output clocks are not valid until LOCKED is High and before that time can exhibit glitches, spikes, or other spurious behavior.

The LOCKED signal might stay High when CLKIN stops - see "[Momentarily Stopping CLKIN](#)". The LOCKED signal might also stay High when CLKIN varies considerably - see "[A Stable, Monotonic Clock Input](#)".

In the Extended Spartan-3A families, when two adjacent DCMs are used, the outputs should be considered valid once both DCMs are LOCKED. Adjacent DCMs should share the same reset signal.

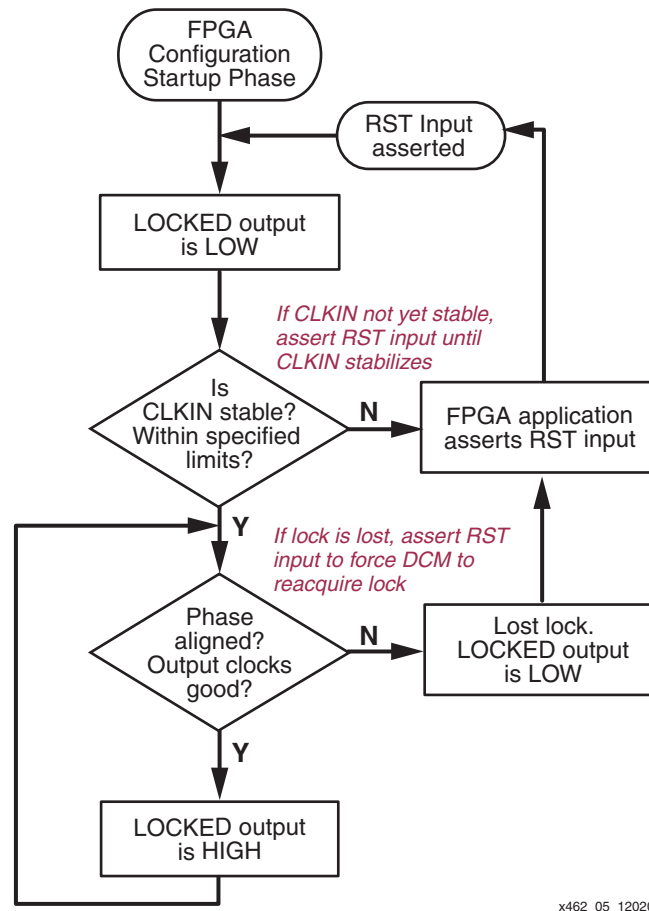


Figure 3-5: Functional Behavior of LOCKED Output

While the **CLKIN** input stays within the specified limits, the DCM continues to adjust its internal delay taps to maintain lock. However, if the **CLKIN** input strays well beyond the specified limits, then the DCM potentially loses lock and deasserts the LOCKED output.

Once the DCM loses lock, it does not automatically attempt to reacquire lock. When the DCM loses lock—i.e., LOCKED was High, then goes Low—the FPGA application must take the appropriate action. For example, once lock is lost, resetting the DCM via the RST input forces the DCM to reacquire lock.

Using the LOCKED Signal

To operate properly, the DCM requires a stable, monotonic clock input. Once locked, the DCM tolerates clock period variations up to the value specified in the specific FPGA data sheet. If the input clock stays within the specified limits, then the output clocks always are valid when the LOCKED output is High. However, it is possible for the clock to stray well outside the limits, for the LOCKED output to stay High, and for the DCM outputs to be invalid. It is good design practice to monitor both LOCKED and the STATUS signals. Monitoring STATUS[1] is recommended as this will indicate when CLKIN has stopped (moved outside the acceptable CLKIN tolerances). STATUS[1] will go High after one missed CLKIN cycle. However, the DCM might not lose LOCKED unless CLKIN is stopped for more than 100 ms. STATUS[1] is not a sticky bit; it will go Low once CLKIN has returned. For the most robust indicator of the status of your DCM's output clock, monitoring both the LOCKED and STATUS[1] bits is recommended.

Spartan-3A DCM Digital Frequency Synthesizer Requires Additional Lock Circuitry

To help guarantee DFS lock, a circuit is automatically inserted by the ISE development software starting with version 9.1i for the Spartan-3A, Spartan-3AN, and Spartan-3A DSP FPGAs (Figure 3-6). Using FPGA logic, the circuit monitors both the LOCKED output from the DCM_SP function and the STATUS[2] bit, which indicates that the DFS output CLKFX has stopped. If LOCKED = 0 and STATUS[2] = 1, then the circuit asserts the DCM RESET input. If the FPGA application also resets the DCM, then OR the reset signal from the FPGA application with the monitored output signals.

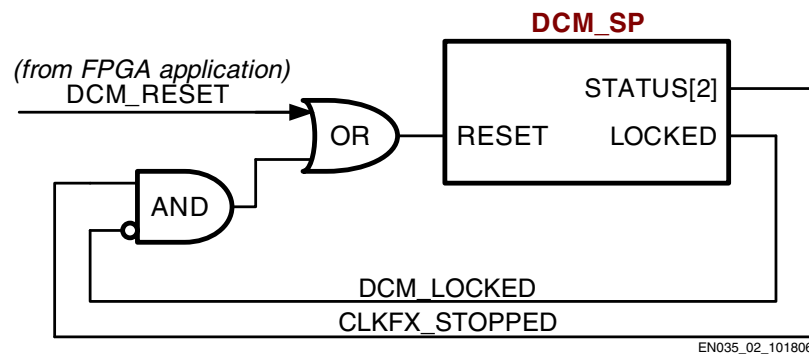


Figure 3-6: Spartan-3A DCM DFS Lock Logic

RST Input Behavior

The asynchronous **RST** input forces the DCM to its post-configuration state. Use the RST pin when changing the input clock frequency beyond the allowable range. The active-High RST pin either must connect to a dynamic signal or must be tied to ground. The RST input must be asserted for three valid **CLKIN** cycles or longer.

If the input clock frequency is not yet stable after configuration, assert RST until the clock stabilizes. When using external feedback, hold the DCM in reset immediately after configuration. Figure 3-20, page 102 shows an example reset technique using an SRL16 shift register primitive.

If the DCM loses lock—i.e., the LOCKED output was High then goes Low—then the FPGA application must assert RST to force the DCM to reacquire the input clock frequency.

If the DCM LOCKED output is High, then the LOCKED signal deactivates within four source clock cycles after RST is asserted. Asserting RST forces the DCM to reacquire lock.

Asserting RST also resets the DCM's delay tap position to zero. Due to the tap position changes, glitches might occur on the DCM clock output pins. Similarly, the duty cycle on the clock outputs might be affected when RST is asserted.

Asserting RST also resets the present variable phase shift value back to the value specified by the **PHASE_SHIFT** attribute.

Clocking Wizard

To simplify applications using DCMs, the Xilinx ISE development software includes a software wizard that provides step-by-step instructions for configuring a DCM. As shown in Figure 3-7, Clocking Wizard generates a vendor-specific logic synthesis file instantiating the DCM in either VHDL or Verilog syntax. Similarly, Clocking Wizard generates a user constraints file (UCF) for the specific implementation. Finally, all the user specifications are saved in a Xilinx Architecture Wizard (XAW) settings file.

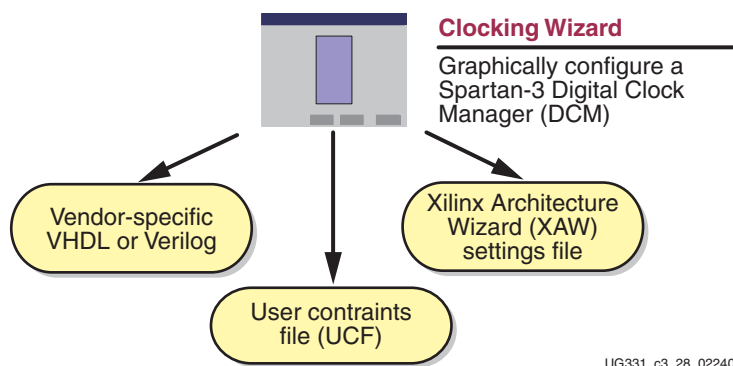


Figure 3-7: Clocking Wizard Provides a Graphical Interface for Configuring Digital Clock Managers

Invoking Clocking Wizard

There are multiple methods to invoke Clocking Wizard, either from the Windows Start button or from within the Xilinx ISE Project Navigator software.

From Windows Start Button

To invoke Clocking Wizard from the Windows Start button, click **Start** → **Programs** → **Xilinx ISE** → **Accessories** → **Architecture Wizard**. The setup window shown in Figure 3-8 appears.

- Specify the name of the Xilinx Architecture Wizard (.xaw) file that holds the option settings for this DCM.
- Optionally, click **Browse** and select a directory location for the *.xaw file.
- Select the logic synthesis language for the output file, either VHDL or Verilog.
- Choose the targeted logic synthesis tool. Clocking Wizard creates vendor-specific output for the specified synthesis tool.
- Select the targeted Spartan-3 generation FPGA.

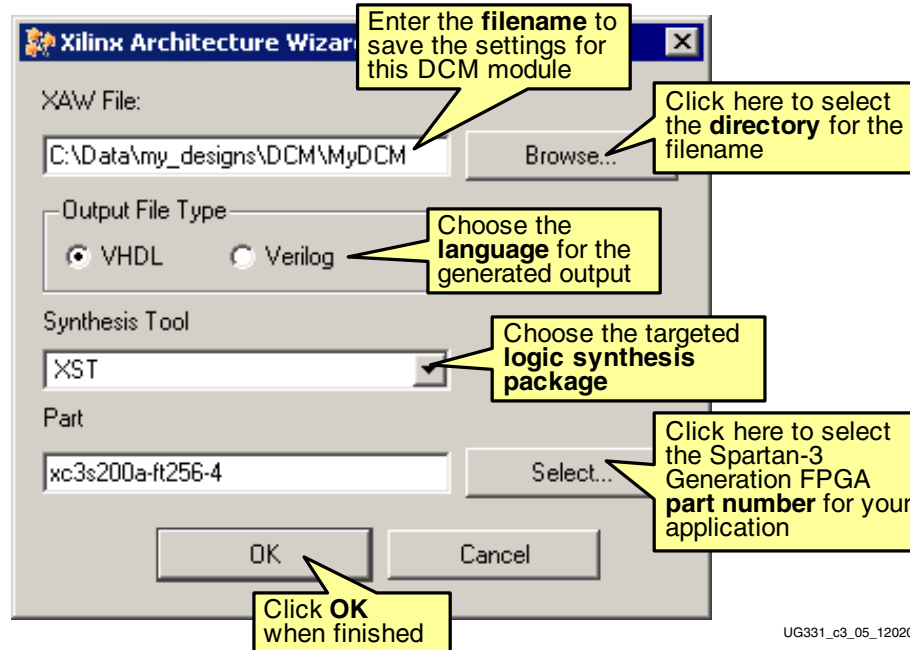


Figure 3-8: Set Up the Architecture Wizard

From within Project Navigator

Optionally, invoke Clocking Wizard from within Project Navigator, either from the menu bar or from within the “Sources in Project” window. From the menu bar, select **Project** → **New Source**. Alternatively, right-click in the “Sources in Project” window and choose **New Source**.

Select **IP (Coregen & Architecture Wizard)** from the available list, as shown in Figure 3-9. Enter the file name for the Xilinx Architecture Wizard (*.xaw) file, and select the directory where the file will be saved. Click **Next >** to continue.

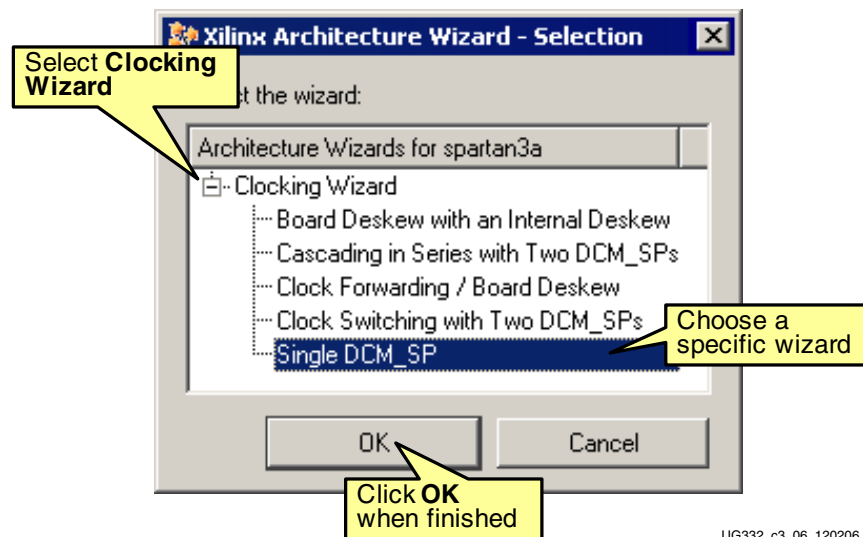
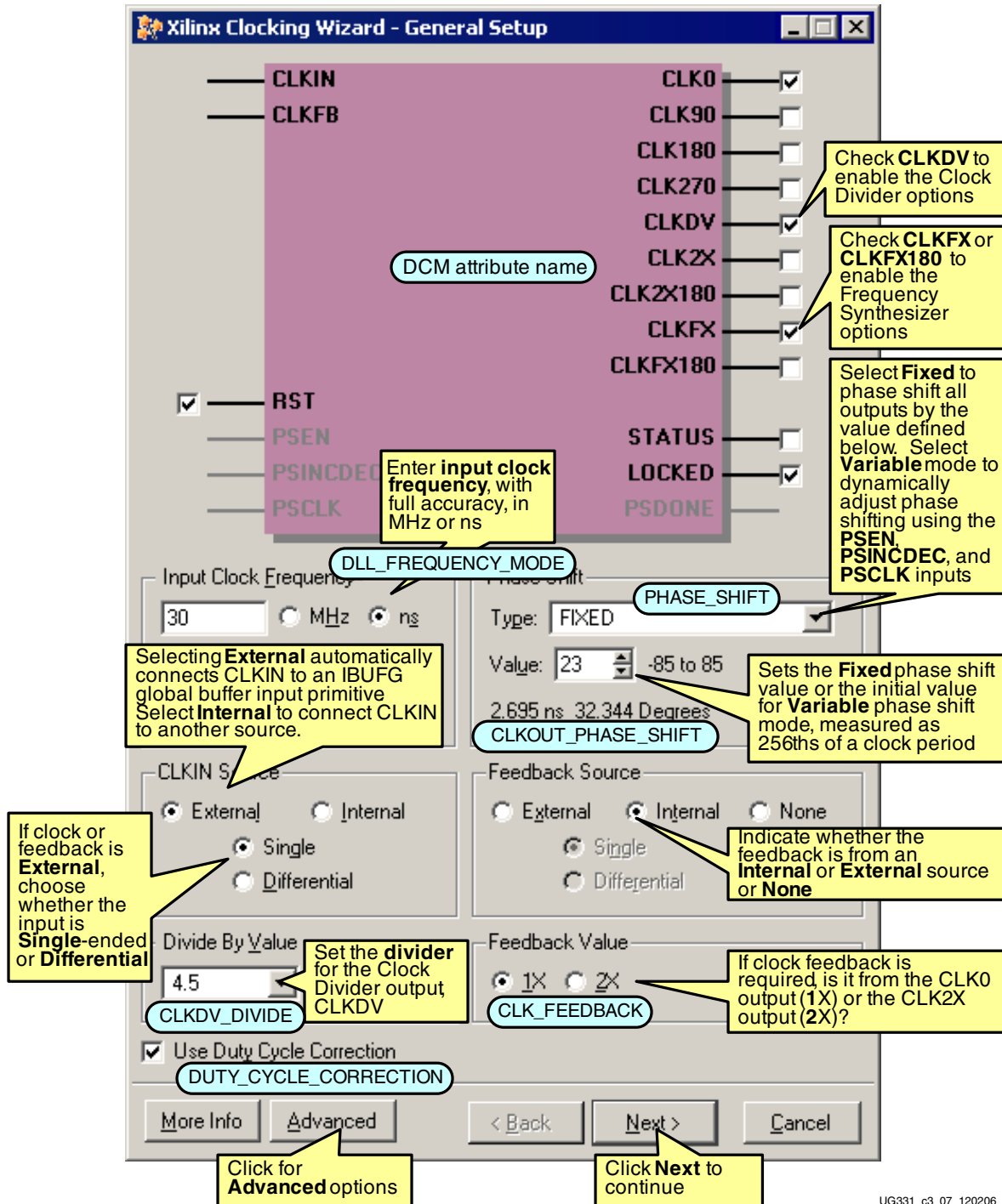


Figure 3-9: Configuring a New Architecture Wizard in the Project Navigator

General Setup

Specify most of the DCM's options using the Xilinx Clocking Wizard General Setup panel, as shown in [Figure 3-10](#). The text in blue ovals shows the DCM primitive attribute name for the corresponding setting.

- To select the outputs and functions used in the final application, check the option boxes next to the desired DCM clock outputs. Checking the output boxes enables related option settings below.
- Enter the frequency of the CLKIN clock input. Either specify the frequency in MHz, or specify the clock period in nanoseconds. The specified value also sets the DCM's [DLL_FREQUENCY_MODE](#) attribute for Spartan-3 FPGA designs.
- Specify whether the CLKIN source is internal or external to the FPGA. If **External**, then Clocking Wizard automatically inserts a global buffer input (IBUFG) primitive. If **Internal**, then the source signal is provided as a top-level input within the generated HDL source file.
- If the CLKDV output box is checked, then specify the **Divide by Value** for the Clock Divider circuit. This setting defines the DCM's [CLKDV_DIVIDE](#) attribute.
- Specify the feedback path to the DCM. If only the [CLKFX](#) or [CLKFX180](#) outputs are used, then select **None**. Otherwise, feedback is required. If the feedback is from within the FPGA, choose **Internal**. If the feedback loop is from outside the FPGA, choose **External**. Furthermore, specify the source of the DCM feedback, either from CLK0 (**1X**) or from CLK2X (**2X**). This setting defines the DCM's [CLK_FEEDBACK](#) attribute.



UG331_c3_07_120206

Figure 3-10: A Majority of DCM Options are Set in the General Setup Panel

- Specify whether to phase shift all DCM outputs. By default, there is no phase shifting (None). If phase shifting is required by the application, choose whether the phase shift value is Fixed or Variable. Selecting Variable also enables the Variable Phase Shift controls, PSEN, PSINCDEC, PSCLK, and PSDONE. This setting defines the DCM's CLKOUT_PHASE_SHIFT attribute. For both Fixed and Variable modes, specify the related Phase Shift Value, which provides either the fixed phase shift value or the

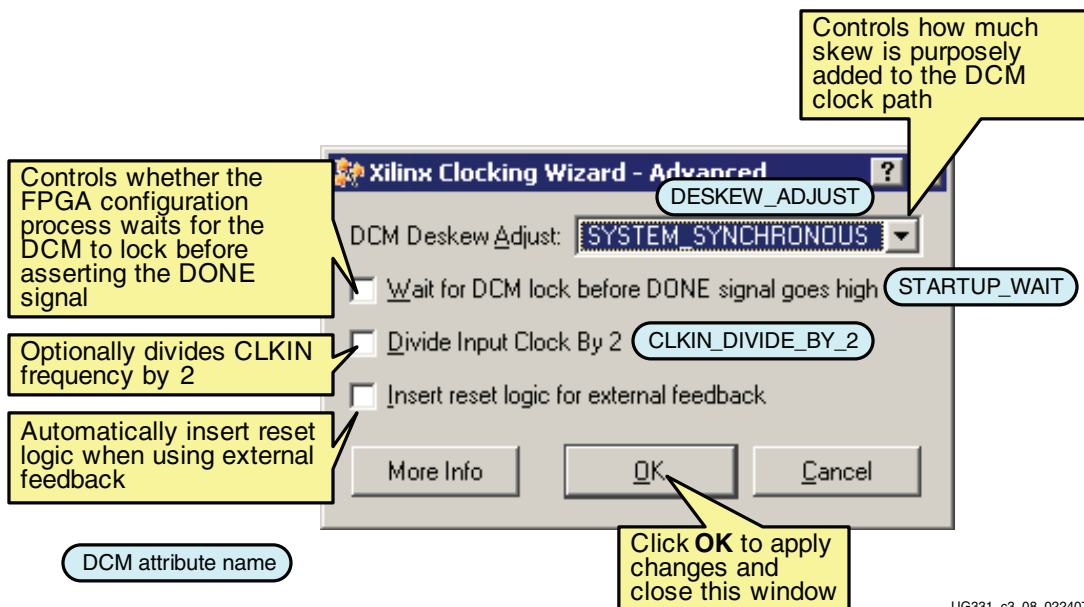
initial value for the Variable Phase Shift. This setting defines the DCM's `PHASE_SHIFT` attribute.

- To open the **Advanced Options** window, click **Advanced**.
- When finished, click **Next >** to continue to the **Clock Buffers** panel.

Advanced Options

Various advanced DCM options are grouped together in the Advanced Options window, shown in [Figure 3-11](#):

- By default, the DCM has no effect on the FPGA's configuration process. Click **Wait for DCM lock before DONE signal goes high** to have the FPGA wait for the DCM to assert its LOCKED output before asserting the DONE signal at the end of configuration. This setting defines the DCM's `STARTUP_WAIT` attribute. If checked, additional bitstream generation option changes are required, as described in the ["Setting Configuration Logic to Wait for DCM LOCKED Output"](#) section.
- If the CLKIN input frequency is too high for a particular DCM feature, check **Divide Input Clock by 2** to reduce the input frequency by half with nearly ideal 50% duty cycle before entering the DCM block. This setting defines the DCM's `CLKIN_DIVIDE_BY_2` attribute.
- If required for source-synchronous data transfer applications, modify the **DCM Deskew Adjust** value to `SOURCE_SYNCHRONOUS`. Do not use any values other than `SOURCE_SYNCHRONOUS` or `SYSTEM_SYNCHRONOUS` without first consulting Xilinx. This setting defines the DCM's `DESKEW_ADJUST` attribute. See ["Skew Adjustment."](#)
- Click **OK** when finished to apply any changes and return to the **General Setup** window.



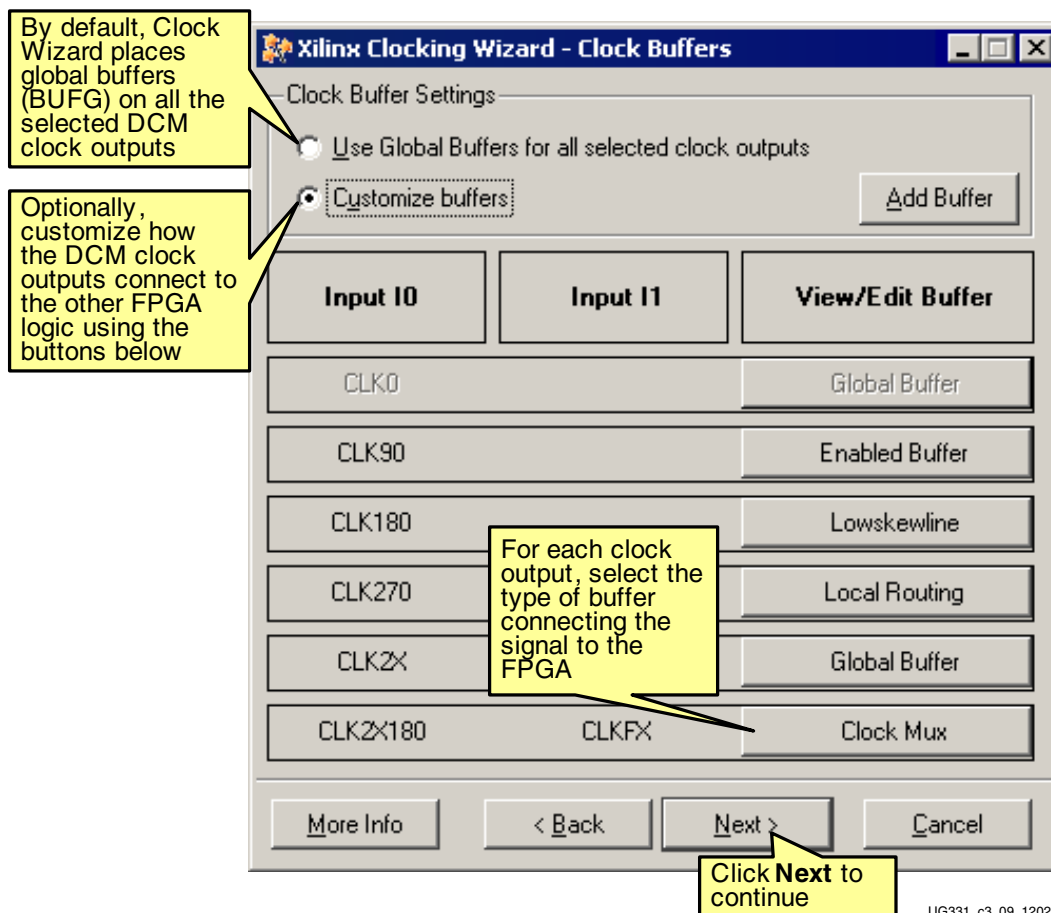
UG331_c3_08_022407

Figure 3-11: DCM Advanced Options Panel

Clock Buffers

Define the clock buffer output type for each DCM clock output, shown in [Figure 3-12](#). By default, Clocking Wizard automatically assigns all outputs to a global buffer (BUFG). However, there are only four global buffers along each the top or bottom edge of the device, shared by two DCMs. In the XC3S50, there is a single DCM along the top or bottom edge that optionally connects to all four global buffers along the edge.


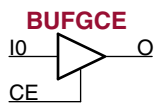
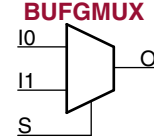
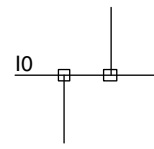
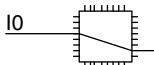
- To assign clock buffer types for each DCM clock output, click **Customize** under **Clock Buffer Settings**.
- For each DCM clock output, select a **Clock Buffer** output type using the drop-down list. [Table 3-21](#) lists the available Clock Buffer options.
- If using an **Enabled Buffer** output type, either specify a signal name for the buffer enable (CE) input or use the automatically generated name.
- If using a **Clock Mux** output type, either specify a signal name for the select (S) input or use the automatically generated name.
- When finished, click **Next >** or **Finish** to continue. The **Next >** option only appears if the [CLKFX](#) or [CLKFX180](#) outputs were selected in the [General Setup](#) panel. Otherwise, click **Finish** to generate the HDL output (see [“Generating HDL Output”](#)).



UG331_c3_09_120206

Figure 3-12: Clocking Wizard Provides a Variety of Buffer Options for each DCM Output

Table 3-21: Settings for Clock Buffer Output Types

Clock Buffer Selection	Diagram	Description						
Global Buffer		Connect to one of four global buffers (BUFG) along the same edge as the DCM.						
Enabled Buffer		Connect to one of the four global buffers configured as an enable clock buffer (BUFGCE). The CE input enables the buffer when High. When CE is Low, the buffer output is zero. <table border="1" data-bbox="922 535 1123 682"> <thead> <tr> <th>CE</th> <th>O</th> </tr> </thead> <tbody> <tr> <td>0</td> <td>0</td> </tr> <tr> <td>1</td> <td>I0</td> </tr> </tbody> </table>	CE	O	0	0	1	I0
CE	O							
0	0							
1	I0							
Clock Mux		Connect to one of the four global buffers configured as a clock multiplexer (BUFGMUX). The S input selects the clock source. <table border="1" data-bbox="922 787 1123 934"> <thead> <tr> <th>S</th> <th>O</th> </tr> </thead> <tbody> <tr> <td>0</td> <td>I0</td> </tr> <tr> <td>1</td> <td>I1</td> </tr> </tbody> </table>	S	O	0	I0	1	I1
S	O							
0	I0							
1	I1							
Lowskewline		Connect to low-skew programmable interconnect.						
Local Routing		Connect to local interconnect, skew not critical.						

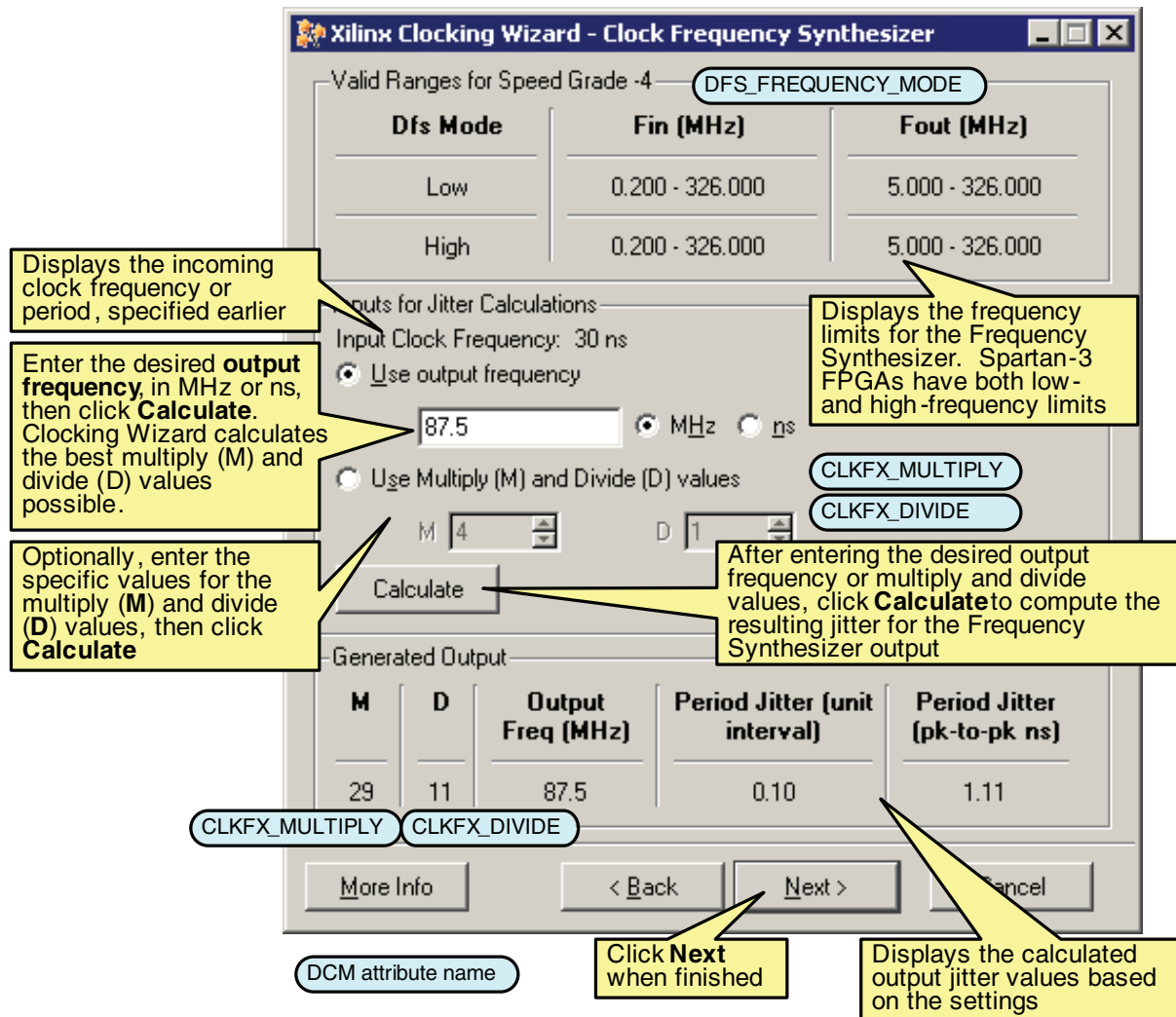
Clock Frequency Synthesizer

The Clock Frequency Synthesizer panel, shown in [Figure 3-13](#), only appears if the [CLKFX](#) or [CLKFX180](#) outputs were selected in the [General Setup](#) panel.

Here, specify either the desired output frequency or enter the specific values for the Multiply and Divide factors. The frequency limits—or delay limits if CLKIN was specified in ns—appear under **Valid Ranges for Selected Speed Grade**. The range is displayed for possible values of the [DFS_FREQUENCY_MODE](#) attribute, which only applies to Spartan-3 FPGAs. The range is tighter if the DCM uses any of the DLL-related clock outputs.

- Click **Use output frequency** and enter the requested value, in as much precision as possible, either in megahertz (MHz) or in nanoseconds (ns). Click **Calculate** to compute the values for the [CLKFX_MULTIPLY](#) and [CLKFX_DIVIDE](#) attributes. If no solution is available using the possible multiply and divide values, Clocking Wizard issues an error message asking for another output frequency value. If a solution exists, then the multiply and divide values, plus the resulting jitter values (see [“Clock Jitter or Phase Noise”](#)) appear under **Generated Output**.

- Optionally, click **Use Multiply (M) and Divide (D) values** and enter the desired values. Click **Calculate** to calculate the resulting output frequency and jitter, displayed under **Generated Output**.
- Finally, click **Next** to generate the HDL output (see “[Generating HDL Output](#)”).



UG331_c3_10_022607

Figure 3-13: Set the Multiply and Divide Values for the Digital Frequency Synthesizer and Calculate the Resulting Jitter

Generating HDL Output

After reviewing that all the parameters are correct, as shown in [Figure 3-14](#), click **Finish**. Clocking Wizard then generates the requested VHDL or Verilog HDL output file. Clocking Wizard also generates a User Constraints File (UCF) based on the settings.

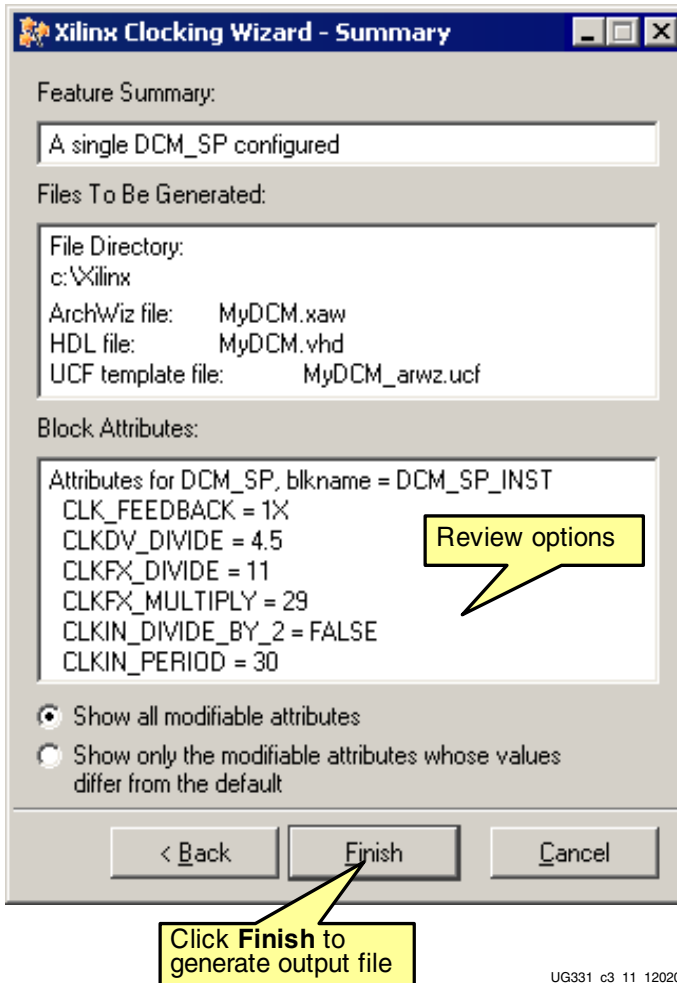


Figure 3-14: Review Settings, Then Click Finish

VHDL and Verilog Instantiation

[Clocking Wizard](#) is the easiest method to create a VHDL or Verilog HDL description of a DCM. However, Verilog and VHDL source examples are also available.

Language Templates within Project Navigator

There are DCM language templates available within the ISE Project Navigator. To select a DCM template, select **Edit** → **Language Templates** from the Project Navigator menu. From the Templates tree shown in [Figure 3-15](#), expand either the **Verilog** or **VHDL** folder, then the **Device Primitive Instantiation** folder, then **FPGA** → **Clock Components** → **Digital Clock Manager (DCM)** folder. Under the DCM folder, select the desired DCM source file. The source file for the selected DCM appears in the adjacent window.

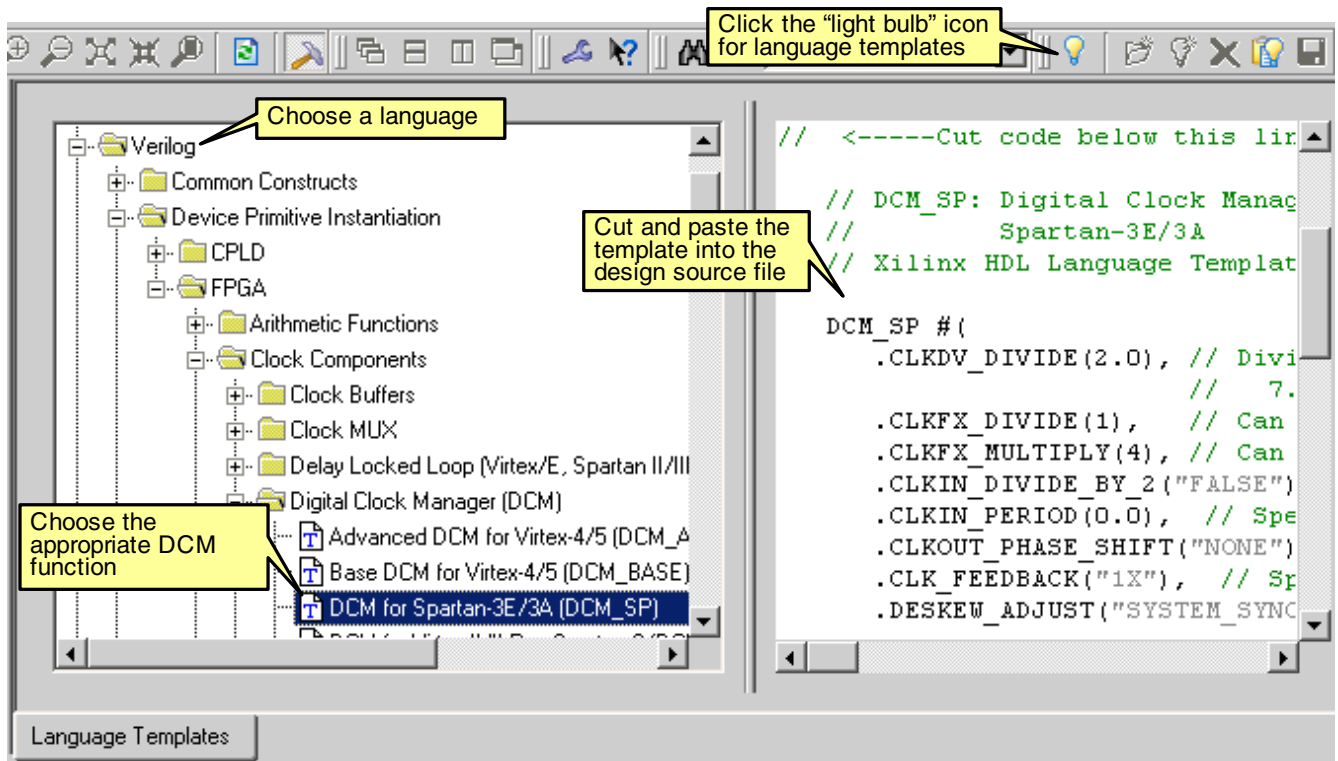


Figure 3-15: DCM Coding Examples in Project Navigator Language Templates

Use the file either as a reference or cut the content of the window into a new source file.

Eliminating Clock Skew

One of the fundamental functions of a DCM is to eliminate clock skew. Eliminating clock skew is especially important for higher-performance designs operating at 50 MHz or more. Furthermore, the concepts involved in clock skew elimination also apply to many of the other applications of a DCM.

What is Clock Skew?

Clock skew inherently exists in every synchronous system. A pristine clock edge generated by the clock source actually arrives at different times at different points in the system—either within a single device or on the clock inputs to the different devices connected to the clock. This difference in arrival times is called *clock skew*.

Figure 3-16 illustrates clock skew in an example system. A clock source drives the clock input to an FPGA. The clock enters through an input pin on the FPGA, is distributed within the FPGA using the internal low-skew global clock network, and arrives at a flip-flop within the FPGA. Each element in the clock path delays the arrival of the clock edge at the flip-flop. Consequently, the clock input at the flip-flop—Point (B)—is delayed, or skewed compared to the original clock source at Point (A). In this example, this clock skew or difference in arrival time for this path is called Δb .

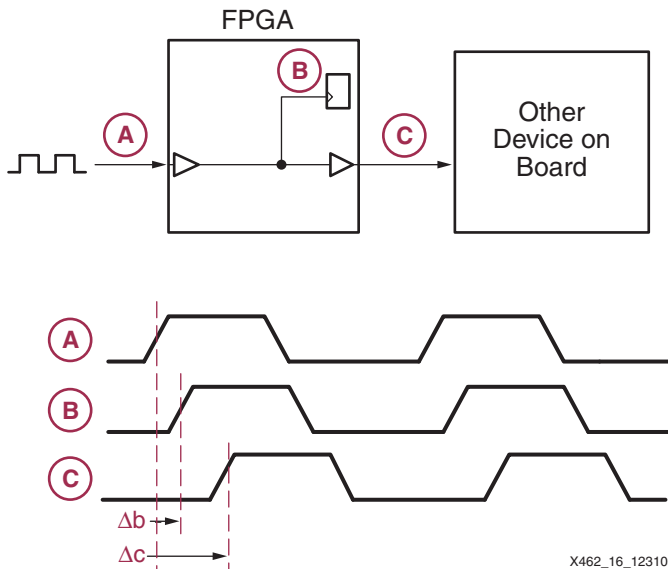


Figure 3-16: Clock Skew Inherently Exists in Every Synchronous System

Similarly, the clock source is rebuffered in the FPGA and drives another device on the board. In this case, again the clock source enters the FPGA via an input pin, is distributed via the global clock network, feeds an output pin on the FPGA, and finally connects to the other device via a trace on the printed circuit board (PCB). Because there is more total delay in this clock path, the resulting skew, Δc , is also larger.

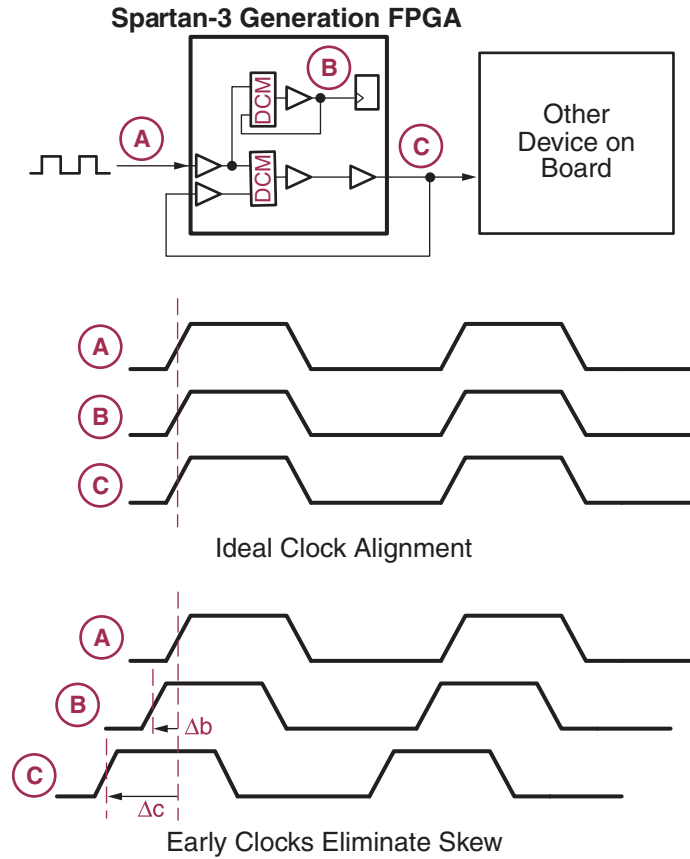
Clock Skew: The Performance Thief

Clock skew potentially reduces the overall performance of the design by increasing setup times and lengthening clock-to-output delays—both of which increase the clock cycle time. Similarly, clock skew might require lengthy hold times on some devices. Otherwise, unreliable operation might result.

Make It Go Away!

Is there a way to eliminate clock skew? Fortunately, a DCM provides such capabilities. [Figure 3-17](#) shows the same example design as [Figure 3-16](#), except this time implemented in a Spartan-3 generation FPGA. Two DCMs eliminate the clock skew: one DCM eliminates the skew for clocked items within the FPGA, the other DCM eliminates the skew when clocking the other device on the board. The result is practically ideal alignment between the clock at Points (A), (B), and (C)!

How is clock skew elimination accomplished? Remember, clock skew is caused by the delay in the clock path. In [Figure 3-17](#), the clock at Point (B) was skewed by Δb and the clock at Point (C) was skewed by Δc . What if there was a way to provide Point (B) with an early version of the clock, advanced by Δb and a way to provide Point (C) with an early version of the clock, advanced by Δc ? The result would be that all clocks would arrive at their destinations with perfect clock edge alignment. Such perfect alignment reduces setup times, shortens clock-to-output delays, and increases overall system performance.



UG331_c3_22_120c

Figure 3-17: Eliminating Clock Skew in a Spartan-3 Generation FPGA Design

Predicting the Future by Closely Examining the Past

Even though Spartan-3 generation FPGAs employ highly advanced digital logic, they cannot predict the future. However, a DCM applies its knowledge of the past behavior of the clock to predict the future. Most input clocks to a system have a never-changing, monotonic frequency. Consequently, the input clock has a nearly constant period, T .

Because it is impossible to insert a negative delay to counteract the clock skew, the DCM actually *delays* the output clocks enough so that they appear to be advanced in time. How is this accomplished? The clock cycle is repetitive and has a fixed period, T . As shown in Figure 3-18, the clock at Point (B) appears to be advanced in time by the delay Δb . In reality however, the clock is delayed by $(T - \Delta b)$. Similarly, the clock at Point (C) is delayed by $(T - \Delta c)$.

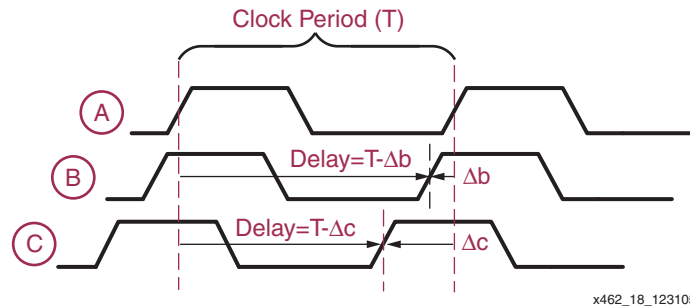


Figure 3-18: Delaying a Fixed Frequency Clock Appears to Predict the Future

The clock period, T , is easy to derive knowing the frequency of the incoming monotonic clock signal. But what are the clock skew delays Δb and Δc ? With careful analysis, they can be determined after examining the behavior of multiple systems under different conditions. In reality, this is impractical. Furthermore, the values of Δb and Δc are different between devices and vary with temperature and voltage on the same device.

Instead of attempting to determine the Δb and Δc delays in advance, the Spartan-3 DCM employs a DLL that constantly monitors the delay via a feedback loop, as shown in Figure 3-17. In this particular example, two DCMs are required—one to compensate for the clock skew to internal signals and another to compensate for the skew to external devices, each with their own clock feedback loop. The DLL constantly adapts to subtle changes caused by temperature and voltage.

Locked on Target

In order to determine and insert the correct delay, the DCM samples up to several thousand clock cycles. Once the DCM inserts the correct delay, the DCM asserts its **LOCKED** output signal.

Do not use the DCM clock outputs until the DCM asserts its **LOCKED** signal. Until the DCM locks onto the input clock signal, the output clocks are invalid. While the DCM attempts to lock onto the clock signal, the output clocks can exhibit glitches, spikes, or other spurious movements.

In an application, the **LOCKED** signal qualifies the output clock. Think of **LOCKED** as a “clock signal good” indicator.

A Stable, Monotonic Clock Input

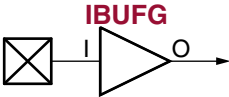
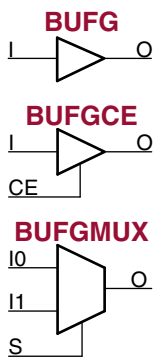
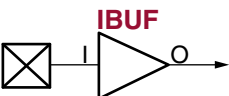

To operate properly, the DCM requires a stable, monotonic clock input. Consequently, the DCM can predict future clock periods and adjust the output clock timing appropriately. Once locked, the DCM tolerates clock period variations up to the value specified in the specific FPGA data sheet. See the “[DCM Clock Requirements](#)” section.

Should the input clock vary well outside the specified limits, the DCM loses lock and the **LOCKED** output switches Low. If the DCM loses lock, reset the DCM to reacquire lock. If the input clock stays within the specified limits, then the output clocks always are valid when the **LOCKED** output is High. However, it is possible for the clock to stray well outside the limits, for the **LOCKED** output to stay High, and for either the **CLKDV** or **CLKFX** outputs to be invalid. In short, a stable, monotonic clock input guarantees problem-free designs.

The recommended input path to a DCM’s **CLKIN** input is via one of the four global buffer inputs (**IBUFG**) along the same half of the device. Using the **IBUFG** path, the delay from

the pad, through the global buffer, to the DCM is eliminated from the deskewed output. Other paths are possible, however, as shown in Table 3-22. The signal driving the CLKIN input can also originate a general-purpose input pin (IBUF primitive) via general-purpose interconnect, from a global buffer input (IBUFG), or from a global buffer multiplexer (BUFGMUX, BUFGCE). Similarly, an LVDS clock input can provide the clock signal. The deskew logic is characterized for a single-ended clock input such as LVCMOS or LVTTTL. Differential signals might incur a slight amount of phase error due to I/O timing. See the corresponding FPGA data sheet for specific I/O timing differences.

Table 3-22: CLKIN Input Sources

CLKIN Source	Description
Via global buffer input 	A global buffer input, IBUFG, is the preferred source for an external clock to the DCM. The delay from the pad, through the global buffer, to the CLKIN input is characterized, and this delay is removed from the deskewed clock output.
Global Clock Buffer 	A global clock buffer, using either a BUFG, BUFGCE, or BUFGMUX primitive, is a preferred source for an internally generated clock to the DCM. The delay through the global buffer is characterized, and this delay is removed from the deskewed clock output. When using BUFGCE or BUFGMUX, the input clock might change frequency or stop, depending on the design. The DCM should be reset after enabling a BUFGCE or changing inputs on a BUFGMUX. Also see “Momentarily Stopping CLKIN,” page 148.
Via general-purpose I/O 	Any user-I/O pin, IBUF, becomes an alternate source for an external clock. The pad-to-DCM delay cannot be predetermined due to the numerous potential input paths, and consequently, the delay is not compensated by the DCM.
Derived from internal logic 	Logic within the FPGA also can be the clock source. Again, the logic-to-DCM delay cannot be predetermined and it is not compensated by the DCM.

Feedback from a Reliable Source

In order to lock in on the proper delay, the DCM monitors both the incoming clock and a feedback clock, tapped after the clock distribution delay. There are no restrictions on the total delay in the clock feedback path. If required, the DLL effectively delays the output clock by multiple clock periods. Consequently, a DCM can compensate for either internal or external delays, but the clock feedback must connect to the correct feedback point.

Removing Skew from an Internal Clock

To eliminate skew within the FPGA, the feedback tap is the same clock as that seen by the clocked elements within the FPGA, shown in Figure 3-19. The feedback clock is typically the CLK0 output (no phase shift) from the DCM, connected to the output of a global clock

buffer (IBUFG) or a global clock multiplexer (BUFGMUX or BUFGCE primitive) on the same edge of the device. If a BUFGMUX or BUFGCE global clock multiplexer is used, the DCM should be reset after the clock is switched or enabled. Alternatively, the DCM's [CLK2X](#) output (no phase shift, frequency doubled) can be used instead of the CLK0 output.

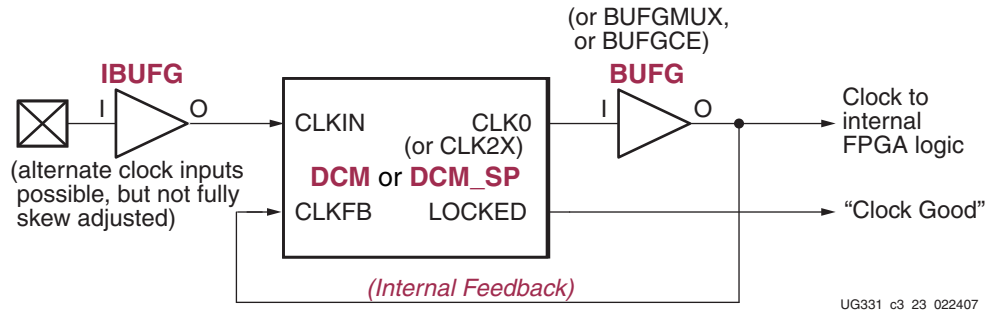


Figure 3-19: Eliminating Skew on Internal Clock Signals

Removing Skew from an External Clock

Constructing the DCM feedback for an external clock is slightly more complex. Ideally, the clock feedback originates from the point where the signal feeds any external clocked inputs, after any long printed-circuit board traces or external clock rebuffering, as shown in [Figure 3-20](#).

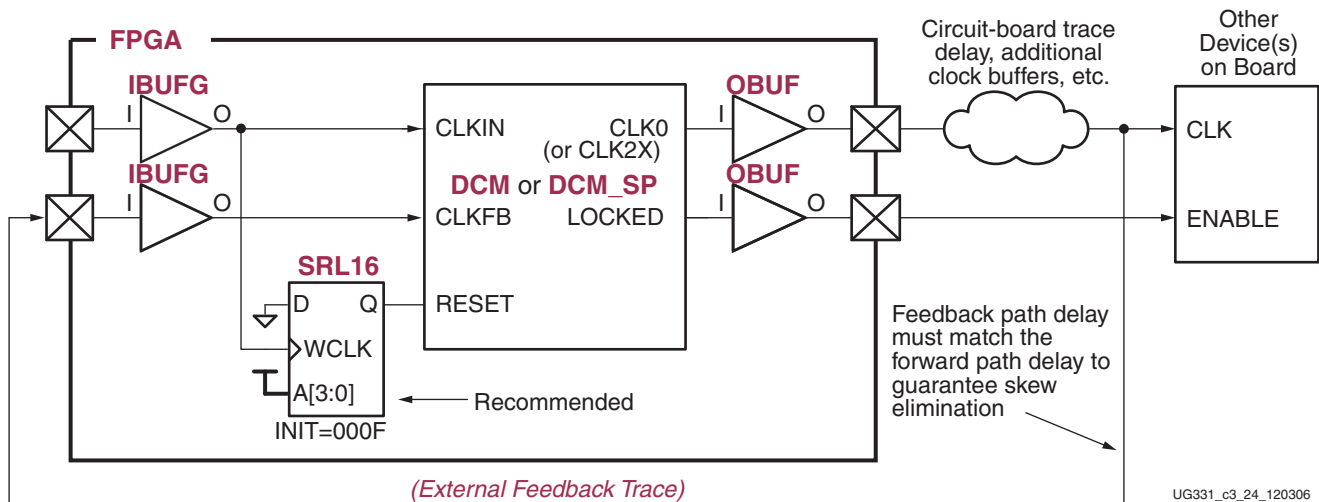


Figure 3-20: Eliminating Skew on External Clock Signals

The [LOCKED](#) signal indicates when the DCM achieves lock, qualifying the clock signal. The LOCKED signal can enable external devices or an inverted version can connect to an active-Low chip enable.

Reset DCM After Configuration

When using external feedback, apply a reset pulse to the DCM immediately after configuration to ensure consistent locking. An SRL16 primitive, initialized with 0x000F, supplies the necessary reset pulse, as shown in [Figure 3-20](#). See “[RST Input Behavior](#).”

Why Reset?

Why is this extra reset pulse required? For an optimum locking process, a DCM configured with external feedback requires both the CLKIN and either the CLK0 or CLK2X signals to be present and stable when the DCM begins to lock. During the configuration process, the external feedback, CLKFB, is not available because the FPGA's I/O buffers are not yet active.

At the end of configuration, the DCM begins the capture process once the device enters the startup sequence. Because the FPGA's global 3-state signal (GTS) still is asserted at this time, any output pins remain in a 3-state (high-impedance, floating) condition. Consequently, the CLKFB signal is in an unknown logic state.

When CLKFB eventually appears after the GTS is deasserted, the DCM proceeds to capture. However, without the reset pulse, the DCM might not lock at the optimal point, which potentially introduces slightly more jitter and greater clock cycle latency through the DCM.

Without the reset, another possible issue might occur if the CLKFB signal, while in the 3-state condition, cross-couples with another signal on the board due to a printed-circuit board signal integrity problem. The DCM might sense this invalid cross-coupled signal as CLKFB and use it to proceed with a lock. This possibly prevents the DCM from properly locking once the GTS signal deasserts and the true CLKFB signal appears.

What is a Delay-Locked Loop?

Two basic types of circuits remove clock delay:

- Delay-Locked Loops (DLLs) and
- Phase-Locked Loops (PLLs)

In addition to their primary function of removing clock distribution delay, DLLs and PLLs typically provide additional functionality such as frequency synthesis, clock conditioning, and phase shifting.

Delay-Locked Loop (DLL)

As shown in [Figure 3-21](#), a DLL in its simplest form consists of a tapped delay line and control logic. The delay line produces a delayed version of the input clock CLKIN. The clock distribution network routes the clock to all internal registers and to the clock feedback CLKFB pin. The control logic continuously samples the input clock as well as the feedback clock to properly adjust the delay line. Delay lines are constructed either using a voltage controlled delay or as a series of discrete delay elements. For best, ruggedly stable performance, the Spartan-3 DLL uses an all-digital delay line.

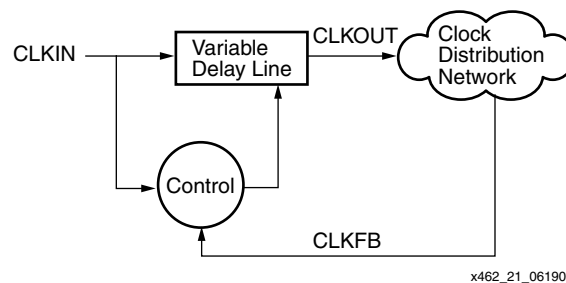


Figure 3-21: Delay-Locked Loop (DLL) Block Diagram

A DLL works by inserting delay between the input clock and the feedback clock until the two rising edges align, effectively delaying the feedback clock by almost an entire period—minus the clock distribution delay, of course. In DLL and PLL parlance, the feedback clock is 360° out of phase, which means that they appear to be exactly in phase again.

After the edges from the input clock line up with the edges from the feedback clock, the DLL “locks”, and the two clocks have no discernible difference. Thus, the DLL output clock compensates for the delay in the clock distribution network, effectively removing the delay between the source clock and its loads. Voila!

Phase-Locked Loop (PLL)

While designed for the same basic function, a PLL uses a different architecture to accomplish the task. As shown in [Figure 3-22](#), the fundamental difference between the PLL and DLL is that instead of a delay line, the PLL uses a voltage-controlled oscillator, which generates a clock signal that approximates the input clock CLKIN. The control logic, consisting of a phase detector and filter, adjusts the oscillator frequency and phase to compensate for the clock distribution delay. The PLL control logic compares the input clock to the feedback clock CLKFB and adjusts the oscillator clock until the rising edge of the input clock aligns with the feedback clock. The PLL then “locks.”

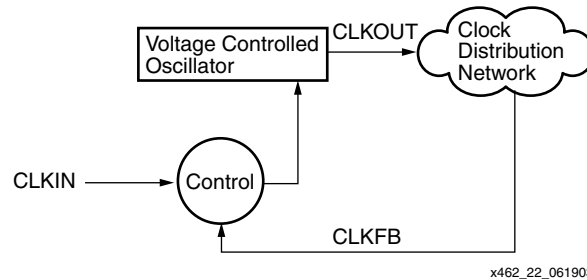


Figure 3-22: Phase-Locked Loop (PLL) Block Diagram

Implementation

A DLL or PLL is assembled using either analog or digital circuitry; each approach has its own advantages. An analog implementation with careful circuit design produces a DLL or PLL with a finer timing resolution. Additionally, analog implementations sometimes consume less silicon area.

Conversely, digital implementations offer advantages in noise immunity, lower power consumption and better jitter performance. Digital implementations also provide the ability to stop the clock, facilitating power management. Analog implementations can require additional power supplies, require close control of the power supply, and pose problems in migrating to new process technologies.

DLL vs. PLL

When choosing between a PLL or a DLL for a particular application, understand the differences in the architectures. The oscillator used in the PLL inherently introduces some instability, which degrades the performance of the PLL when attempting to compensate for the delay of the clock distribution network. Conversely, the unconditionally stable DLL architecture excels at delay compensation and clock conditioning. On the other hand, the PLL typically has more flexibility when synthesizing a new clock frequency.

Skew Adjustment

Most of this section discusses how to remove skew and how to phase align an internal or external clock to the clock source. In actuality, the DCM purposely adds a small amount of skew via an advanced attribute called `DESKEW_ADJUST`. In Clocking Wizard, the `DESKEW_ADJUST` attribute is controlled via the [Advanced Options](#) window.

There are two primary applications for this attribute, `SYSTEM_SYNCHRONOUS` and `SOURCE_SYNCHRONOUS`. The overwhelming majority of applications use the default `SYSTEM_SYNCHRONOUS` setting. The purpose of each mode is described below.

System Synchronous

In a System Synchronous design, all devices within a data path share a common clock source, as shown in [Figure 3-23](#). This is the traditional and most-common system configuration. The `SYSTEM_SYNCHRONOUS` option, which is the default value, adds a

small amount of clock delay so that there is zero hold time when capturing data. Hold time is essentially the timing difference between the best-case data path and the worst-case clock path. The DCM's clock skew elimination function advances the clock, essentially dramatically shortening the worst-case clock path. However, if the clock path is advanced so far that the clock appears before the data, then hold time results. The `SYSTEM_SYNCHRONOUS` setting injects enough additional skew on the clock path to guarantee zero hold times, but at the expense of a slightly longer clock-to-output time.

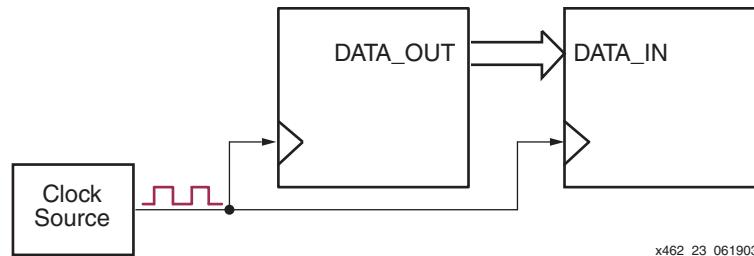


Figure 3-23: **System-Synchronous Applications are Clocked by a Single, System-Wide Clock Source**

The extra delay is injected in the `SYSTEM_SYNCHRONOUS` setting by adding an internal delay on the feedback path. However, there are some situations where the DCM does not add this extra delay, and therefore the `DESKEW_ADJUST` parameter has no effect. These situations include DCMs that are cascaded, have external feedback, or have an external `CLKIN` that does not come from a clock input.

Source Synchronous

`SOURCE_SYNCHRONOUS` mode is an advanced setting, used primarily in high-speed data communications interfaces. In Source Synchronous applications, both the data and the clock are derived from the same clock source, as shown in Figure 3-24. The transmitting device sends both data and clock to the receiving device. The receiving device then adjusts the clock timing for best data reception. High-speed Dual-Data Rate (DDR) and LVDS connections are examples of such systems.

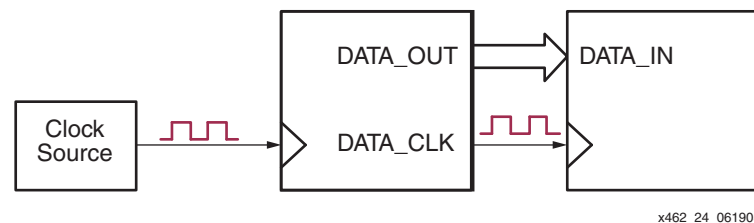


Figure 3-24: **In Source-Synchronous Applications, the Data Clock is Provided by the Data Source**

The `SOURCE_SYNCHRONOUS` setting essentially zeros out any phase difference between the incoming clock and the deskewed output clock from the DCM. The FPGA application must then adjust the clock timing using either the Fixed or Dynamic Fine Phase Shift mode. The following application notes provide additional information on Source Synchronous design and using dynamic phase alignment:

- XAPP268: *Dynamic Phase Alignment*
http://www.xilinx.com/support/documentation/application_notes/xapp268.pdf
- XAPP622: *SDR LVDS Transmitter/Receiver*
http://www.xilinx.com/support/documentation/application_notes/xapp622.pdf

Similarly, the following application note delves into more details on system-level timing. Although the application note is written for the Virtex-II and Virtex-II Pro FPGA architectures, most of the concepts apply directly to Spartan-3 FPGAs.

- XAPP259: *System Interface Timing Parameters*
http://www.xilinx.com/support/documentation/application_notes/xapp259.pdf

Timing Comparisons

Figure 3-25 compares the effect of both SYSTEM_SYNCHRONOUS and SOURCE_SYNCHRONOUS settings using a Dual-Data Rate (DDR) application. In DDR applications, two data bits appear on each data line—one during the first half-period of the clock, the second during the second half-period.

In SYSTEM_SYNCHRONOUS mode, a small amount of skew is purposely added to the DCM clock path so that there is zero hold time.

In SOURCE_SYNCHRONOUS mode, no additional skew is inserted to the DCM clock path. However, the FPGA application must insert additional skew or phase shifting so that the clock appears at the ideal location in the data window.

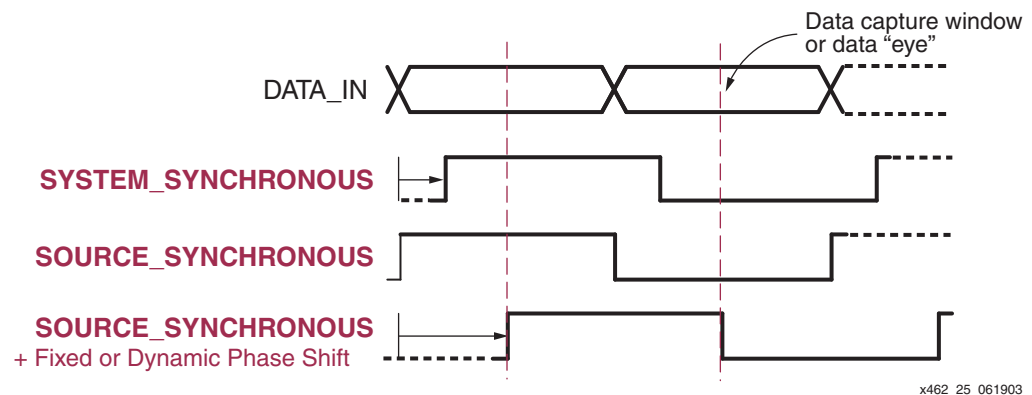


Figure 3-25: Comparing SYSTEM_SYNCHRONOUS and SOURCE_SYNCHRONOUS Timing in a Dual-Data Rate (DDR) Application

Clock Conditioning

Clock conditioning is a function where an incoming clock with a duty cycle other than 50% is reshaped to have a 50% duty cycle. Figure 3-26 shows an example where an incoming clock, with roughly a 45% High time and a 55% Low time (45%/55% duty cycle), is reshaped into a nearly perfect 50% duty cycle—nearly perfect because there is some residual duty-cycle distortion specified by the CLKOUT_DUTY_CYCLE_DLL and CLKOUT_DUTY_CYCLE_FX values in the applicable FPGA family data sheet. The DCM itself adds little to no distortion. Most of the distortion is caused by the difference in rise and fall times in the internal routing and clock networks. The distortion is estimated at 100 ps to 400 ps, depending on the device.

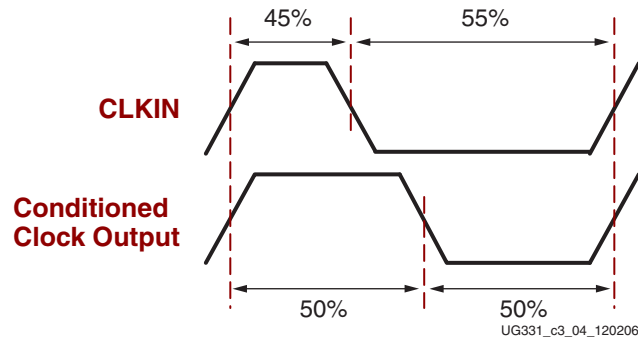


Figure 3-26: DCM Duty-Cycle Correction Feature Provides 50% Duty Cycle Outputs

Clocks with 50% duty cycle are mandatory for high-speed communications interfaces such as LVDS or Dual-Data Rate (DDR) and for clock forwarding or clock mirroring applications. See “Dual-Data Rate (DDR) Clocking Example.”

Spartan-3E and Spartan-3A/3AN/3A DSP FPGA Output Clock Conditioning

The DCM automatically conditions all clock outputs on Spartan-3E and Spartan-3A/3AN/3A DSP FPGAs so that they have a 50% duty cycle.

Spartan-3 FPGA Output Clock Conditioning

On Spartan-3 FPGAs, most of the of the output clocks are conditioned to a 50% duty cycle, although other outputs are optionally conditioned, depending either on the operating conditions or on attribute settings, as shown in Table 3-23.

Table 3-23: Spartan-3 FPGA Family: Clock Outputs with Conditioned 50% Duty Cycle

DCM Clock Output	50% Duty Cycle Output	
CLK0 CLK180	When DUTY_CYCLE_CORRECTION attribute set to TRUE	
CLK90 CLK270	DLL_FREQUENCY_MODE Attribute	
	LOW	HIGH
	When DUTY_CYCLE_CORRECTION attribute set to TRUE	Outputs not available
CLK2X CLK2X180	DLL_FREQUENCY_MODE Attribute	
	LOW	HIGH
	Always	Outputs not available

Table 3-23: Spartan-3 FPGA Family: Clock Outputs with Conditioned 50% Duty Cycle (Continued)

DCM Clock Output	50% Duty Cycle Output	
CLKDV	DLL_FREQUENCY_MODE Attribute	
	LOW	HIGH
	Always	When CLKDV_DIVIDE attribute is an integer value
CLKFX CLKFX180	Always	

The [Quadrant Phase Shifted Outputs](#), CLK0, CLK90, CLK180, and CLK270 have optional clock conditioning, controlled by the DUTY_CYCLE_CORRECTION attribute. By default, the DUTY_CYCLE_CORRECTION attribute is set to TRUE, meaning that these outputs are conditioned to a 50% duty cycle. Setting this attribute to FALSE disables the clock-conditioning feature, in which case the effected clock outputs have roughly the same duty cycle as the incoming clock. Exact replication of the CLKIN duty cycle is not guaranteed.

Phase Shifting – Delaying Clock Outputs by a Fraction of a Period

A DCM also optionally phase shifts an incoming clock, effectively delaying the clock by a fraction of the clock period.

The DCM supports four different types of phase shifting. Each type can be used independently, or in conjunction with other phase shifting modes. The phase shift capabilities for each clock output appear in [Table 3-24](#).

- [Half-Period Phase Shifted Outputs](#) provide a pair of outputs, one with a rising edge at 0° phase shift and the other at 180° phase shift, at the half-period point during the clock period.
- [Quadrant Phase Shifted Outputs](#) of 0° (CLK0), 90° (CLK90), 180° (CLK180), and 270° (CLK270).
- [Fixed Fine Phase Shifting](#) of all DCM clock outputs with a resolution of 1/256th of a clock cycle.
- [Variable Fine Phase Shifting](#) of all DCM clock outputs from within the FPGA application. For variable phase shifting, there are significant differences between the Spartan-3 FPGA family and the Spartan-3E and Extended Spartan-3A families. Spartan-3 FPGAs provide variable phase shift with a step size of 1/256th of a CLKIN clock cycle. The size of the step varies depending on the CLKIN input frequency. On Spartan-3E and Extended Spartan-3A FPGAs, the step size, called DCM_DELAY_STEP, is independent of the CLKIN clock frequency.

Table 3-24: Phase Shift Capabilities by Clock Output

Clock Output	Half-Period	Quadrant	Fixed or Dynamic
CLK0	✓	✓	✓
CLK90		✓	✓
CLK180	✓	✓	✓
CLK270		✓	✓
CLK2X	✓		✓

Table 3-24: Phase Shift Capabilities by Clock Output (Continued)

Clock Output	Half-Period	Quadrant	Fixed or Dynamic
CLK2X180	✓		✓
CLKDV			✓
CLKFX	✓		✓
CLKFX180	✓		✓

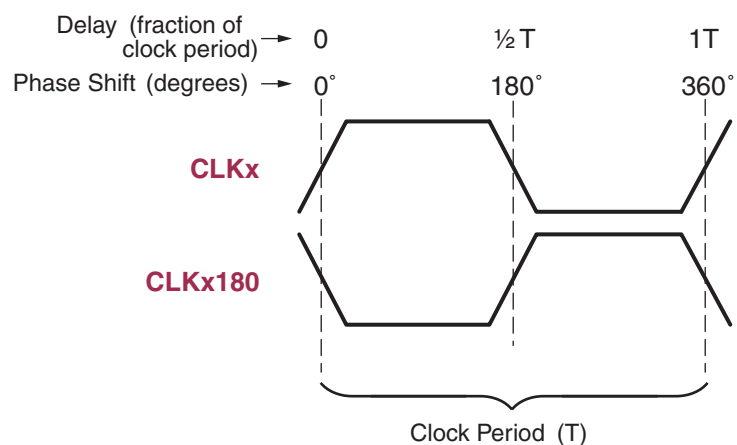
Half-Period Phase Shifted Outputs

The Half-Period Phase Shift outputs provide a non-shifted clock output, and the equivalent clock output but shifted by half a period (180° phase shift). The Half-Period Phase Shift outputs appear in pairs, as shown in Table 3-25.

Table 3-25: Half-Period Phase Shifted Outputs

Output Pairs		Comment
No Phase Shift	180° Phase Shift	
CLK0	CLK180	Same frequency as CLKIN input. Spartan-3E and Spartan-3A/3AN/3A DSP FPGAs always have a 50% duty cycle. On Spartan-3 FPGAs, duty cycles for outputs are corrected to 50% by default, controlled by the DUTY_CYCLE_CORRECTION attribute.
CLK2X	CLK2X180	Outputs from the Clock Doubler (CLK2X, CLK2X180) . Twice the frequency of the CLKIN input, always has a 50% duty cycle.
CLKFX	CLKFX180	Outputs from the Frequency Synthesizer (CLKFX, CLKFX180) . Output frequency depends on Frequency Synthesizer attributes. Always has a 50% duty cycle.

The Half-Period Phase Shift outputs are ideal for duty-cycle critical applications such as high-speed Dual-Data Rate (DDR) designs and clock mirrors. The Half-Period Phase Shift output pairs provide two clocks, one with a rising edge at the beginning of the clock period, and another rising edge precisely aligned at half the clock period, as shown in Figure 3-27.



x462_27_061903

Figure 3-27: Half-Period Phase Shift Outputs

Half-Period Phase Shift Outputs Reduce Duty-Cycle Distortion

When the DCM clock outputs are duty-cycle corrected to 50%, it appears that the 180° phase-shifted clock is just an inverted version on the non-shifted clock. For low-frequency applications, this is essentially true.

However, at very high operating frequencies, duty-cycle distortion—due to differences in rise and fall times of individual transistors—becomes relevant within the FPGA device. Starting with a 50% clock cycle, such distortion causes differences between the clock High and clock Low times, which is consistent from cycle to cycle.

Dual-Data Rate (DDR) Clocking Example

In Figure 3-28, a single DCM clock output, CLKx, drives both clocks on a Dual-Data Rate (DDR) output flip-flop. One DDR clock input uses the clock output as is, the other input inverts the clock within the DDR flip-flop. The CLKx output from the DCM has a 50% duty cycle, but after traveling through the FPGA’s clock network, the duty cycle becomes slightly distorted. In this exaggerated example, the distortion truncates the clock High time and elongates the clock Low time. Consequently, the C1 clock input triggers slightly before half the clock period. At lower frequencies, this distortion is usually negligible. However, high-performance DDR-based systems require precise clocking due to the extremely short half-period timing.

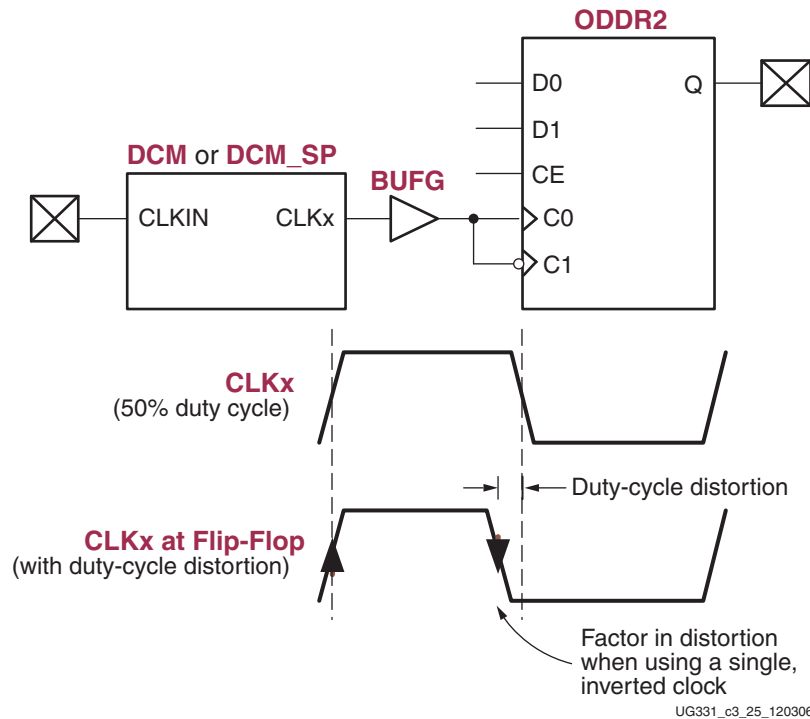


Figure 3-28: Dual-Data Rate (DDR) Output Using Both Edges of a Single Clock Induces Duty-Cycle Distortion

Figure 3-29 shows a slightly modified circuit compared to Figure 3-28. In this case, the DCM provides both a non-shifted and a 180° phase-shifted output to the DDR output flip-flop. The CLKx clock signal precisely triggers the DDR flip-flop’s C0 input at the start of the clock period. Similarly, the CLKx180 clock signal precisely triggers the DDR flip-flop’s C1 input halfway through the clock period. The cost of this approach is an additional

global buffer and global clock line, but it potentially reduces the potential duty-cycle distortion by approximately 300 ps.

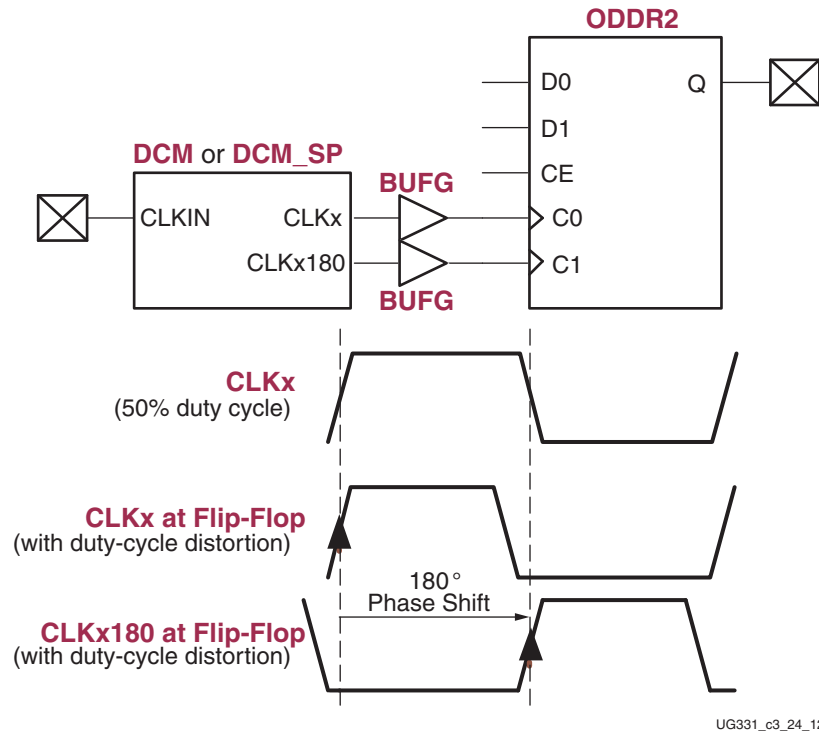


Figure 3-29: Using Half-Period Phase Shift Outputs Reduces Potential Duty-Cycle Distortion

Table 3-26 shows the specified duty-cycle distortion values as measured using DDR output flip-flops and LVDS outputs. There might be additional distortion on other output types caused by asymmetrical rise and fall times, which can be simulated using IBIS.

When using the DCM to generate high speed clocks to drive the double data rate ODDR2, BUFGMUX_X1Y1 is recommended for CLKFX and BUFGMUX_X2Y0 is recommended for CLKFX180 to minimize period jitter.

Table 3-26: Duty-Cycle Distortion Parameters

Parameter	Description	Estimated Value
T_{DCD_CLK0}	Duty-cycle distortion when local inversion provides negative-edge clock to DDR element in an I/O block. See Figure 3-28.	~400 ps
T_{DCD_CLK180}	Duty-cycle distortion when DCM CLKx180 output provides clock to DDR element in an I/O block. See Figure 3-29.	~60 ps

Quadrant Phase Shifted Outputs

The Quadrant Phase Shift outputs shift the CLKIN input, each by a quarter period, as shown in Figure 3-30 and Table 3-28. Because the Quadrant Phase Shift outputs require a feedback path back to the CLKFB input, the CLK0 output is phase aligned to the rising edge of the CLKIN input. The CLK90 output is phase shifted 90° from the CLKIN input, and so forth.

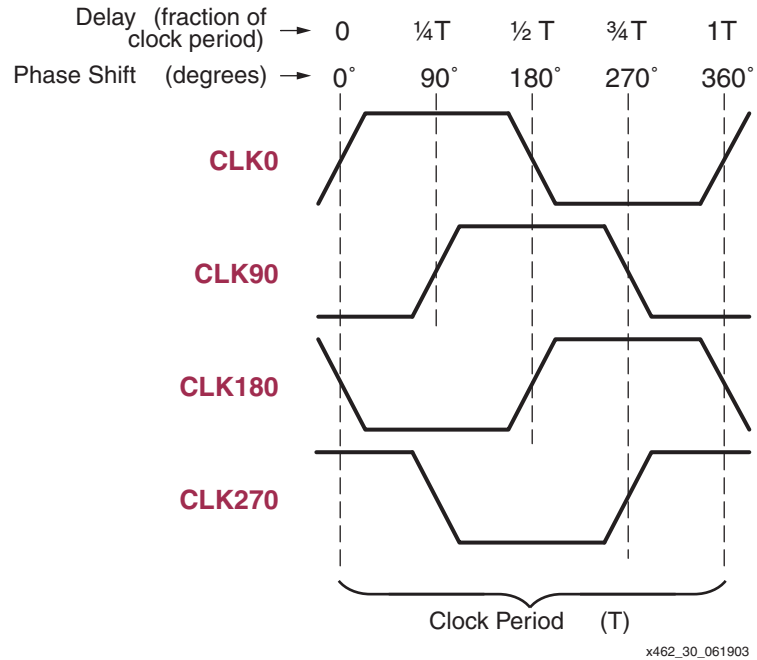


Figure 3-30: Quadrant Phase Shift Outputs Shift CLKIN, Each by a Quarter Period (Shown with Duty-Cycle Correction Enabled)

Output Availability Depends on DLL Frequency Mode

The availability of the Quadrant Phase Shift outputs depends on the DLL’s frequency mode. On Spartan-3 FPGAs, the range is controlled by the `DLL_FREQUENCY_MODE` attribute. On Spartan-3E and Spartan-3A/3AN/3A DSP FPGAs, the outputs depend on whether the CLKIN input frequency is above or below 167 MHz.

All four Quadrant Phase Shift outputs are available in low-frequency mode (`DLL_FREQUENCY_MODE = LOW`), as shown in Table 3-27. Only the CLK0 and CLK180 outputs are available in both modes.

Table 3-27: Quadrant Phase Shift Output Availability by DLL Frequency Mode

Output	Spartan-3 FPGAs	
	<code>DLL_FREQUENCY_MODE = LOW</code>	<code>DLL_FREQUENCY_MODE = HIGH</code>
	Spartan-3E and Spartan-3A/3AN/3A DSP FPGAs	
	CLKIN ≤ 167 MHz	CLKIN > 167 MHz
CLK0	✓	✓
CLK90	✓	
CLK180	✓	✓
CLK270	✓	

Spartan-3 FPGA: Optional 50/50 Duty Cycle Correction

On Spartan-3E and Spartan-3A/3AN/3A DSP FPGAs, the quadrant outputs are always conditioned to a 50% duty cycle. On Spartan-3 FPGAs, the outputs are optionally conditioned to a 50% duty cycle, controlled by the `DUTY_CYCLE_CORRECTION`

attribute. When TRUE, which is the default, all four outputs have a 50% duty cycle. When FALSE, the outputs do not necessarily have the same duty cycle as the CLKIN input. See the “[Clock Conditioning](#)” section for more information.

Four Phases, Delayed Clock Edges, Phased Pulses

One view of the Quadrant Phase Shift outputs is that each provides a rising clock that is delayed one quarter period from the preceding pulse, as shown in [Table 3-28](#). These outputs provide flexible timing for such applications as memory interfaces and peripheral control.

When these outputs are conditioned with a 50% duty cycle, there are other ways to view these signals. For example, the outputs also provide falling-edge clocks separated by a quarter phase. Again, see [Table 3-28](#). Similarly, each output produces a High-going pulse, and a Low-going pulse, both half a period wide. For example, the CLK90 output shown in [Figure 3-30](#) produces a High-going pulse, centered within the CLK0 clock period.

Table 3-28: Quadrant Phase Shift Outputs and Characteristics (DUTY_CYCLE_CORRECTION=TRUE)

DCM Output	Phase Shift	Delayed by Period Fraction	Rising Edge	Falling Edge	Comment
CLK0	0°	0	0	½T	Deskewed input clock, no phase shift
CLK90	90°	¼T	¼T	¾T	High-going pulse, ½T wide, in middle of period
CLK180	180°	½T	½T	0T	Inverted CLK0, rising clock edge in middle of period
CLK270	270°	¾T	¾T	¼T	Low-going pulse, ½T wide, in middle of period

Fine Phase Shifting

The DCM provides additional controls over clock skew using fine phase shifting. Fine-phase adjustment affects all nine DCM output clocks simultaneously. The fine phase shift capability requires the DCM’s DLL functional unit. Consequently, clock feedback via the CLKFB input is required. Phase Shifter operation in the Spartan-3 family is only supported when DLL_FREQUENCY_MODE = LOW.

Caution! This user guide describes phase shift operations for designs compiled using the Xilinx ISE 8.1.03i (ISE 8.1i with Service Pack 3 installed) or later versions. All new FPGA designs must use the latest available software.

Physically, the fine phase shift control adjusts the phase relationship between the rising edges of the CLKIN and CLKFB inputs. The net effect, however, is that all DCM outputs are phase shifted with relation to the CLKIN input.

By default, fine phase shifting is disabled ([CLKOUT_PHASE_SHIFT](#) = NONE), meaning that the clock outputs are phase aligned with the CLKIN input clock. In this case, there is no skew between the input clock, CLKIN, and the feedback clock, measured at the appropriate feedback point (see “[Feedback from a Reliable Source](#)” section). When fine phase shifting is enabled, the output clock edges can be phase shifted so that they are advanced or are delayed compared to the CLKIN input, as shown in [Figure 3-32](#).

There are two fine phase shift modes as described below. Both are commonly used in high-speed data communications applications. See the “[Source Synchronous](#)” section.

1. *Fixed Fine Phase Shift* mode sets the phase shift value at design time. The phase shift value is loaded into the FPGA during configuration and cannot be changed by the

application. The Fixed phase shift feature is identical among Spartan-3 generation FPGAs.

2. *Variable Fine Phase Shift* mode has an initial phase shift value, similar to Fixed Fine Phase Shift, which is set during FPGA configuration. However, the phase shift value can be changed by the application after the DCM's LOCKED output goes High.

Caution! There are important differences between the Variable phase shift feature on Spartan-3 FPGAs and that found on Spartan-3E and Spartan-3A/3AN/3A DSP FPGAs. See "Important Differences Between Spartan-3 Generation FPGA Families," page 118.

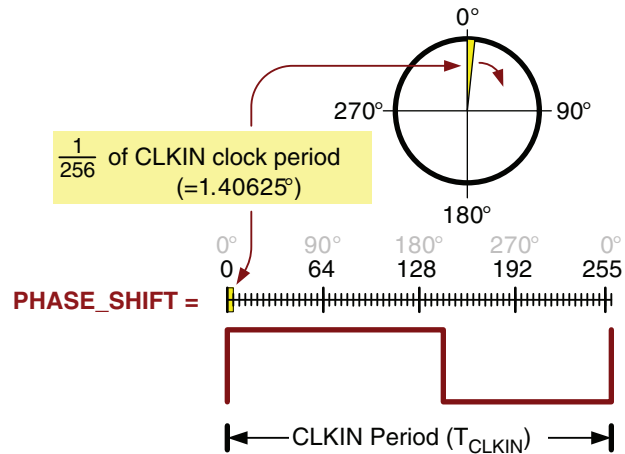
Fixed Fine Phase Shifting

In Fixed Fine Phase Shift mode, the phase shift value is specified at design time and set during the FPGA configuration process. The application cannot change the value during run time.

Caution! Fixed Fine Phase Shift in the Spartan-3 family should be implemented using the latest available software update.

Two attributes control this mode. The `CLKOUT_PHASE_SHIFT` attribute is set to `FIXED`, and the `PHASE_SHIFT` attribute controls the amount of phase shift. If `PHASE_SHIFT` is 0, then the output clocks and the `CLKIN` input are phase aligned, as shown in Figure 3-32. If `PHASE_SHIFT` is a negative integer, then the clock output(s) are phase shifted before `CLKIN`. If `PHASE_SHIFT` is a positive integer, then the clock output(s) are phase shifted after `CLKIN`.

The size of each phase shift unit is always the same at $1/256^{\text{th}}$ of the `CLKIN` clock period, as shown in Figure 3-31, which equates to 1.40625° per step. The physical delay of each step depends on the `CLKIN` input clock frequency, as shown in Equation 3-5.



$$\text{Phase} = \frac{\text{Phase Shift}}{256} \cdot 360^{\circ} = \text{Phase Shift} \cdot 1.40625^{\circ}$$

$$\text{Time} = \frac{\text{Phase Shift}}{256} \cdot T_{\text{CLKIN}}$$

UG331_c3_19_022407

Figure 3-31: Each `PHASE_SHIFT` Unit is $1/256^{\text{th}}$ of the `CLKIN` Period

Spartan-3 Family Fixed Fine Phase Shift Range

The PHASE_SHIFT attribute is always an integer value, ranging between –255 and +255. However, the actual limits for the Spartan-3 FPGA family can be lower depending on the CLKIN input frequency, as described below.

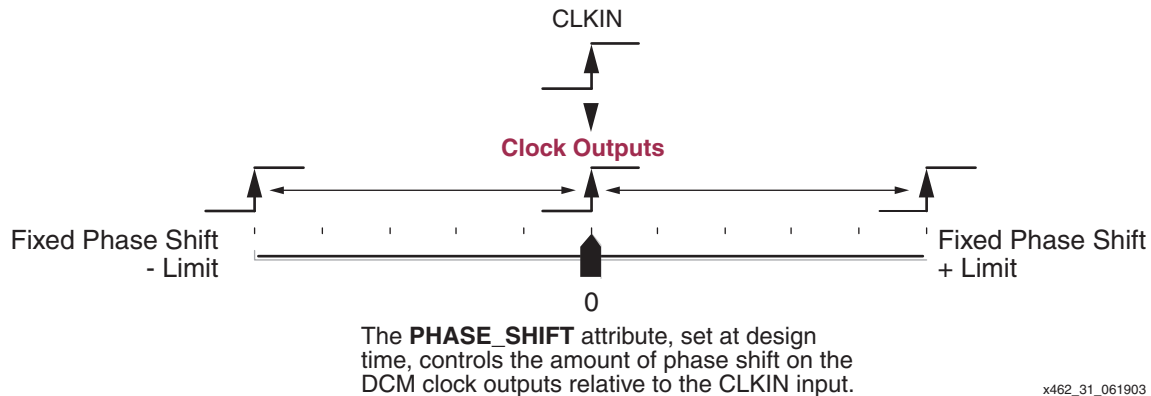


Figure 3-32: Fixed-Value Fine Phase Shift Control

The minimum and maximum limits of the PHASE_SHIFT attribute depend on two values.

1. The period of the CLKIN input, T_{CLKIN} , measured in nanoseconds.
2. For Spartan-3 family FPGAs, FINE_SHIFT_RANGE defines the maximum guaranteed delay achievable by the phase shift delay line. The actual delay line within a given device can be longer, but only the delay up to FINE_SHIFT_RANGE is guaranteed. The Extended Spartan-3A family does not have a FINE_SHIFT_RANGE limit for fixed phase shifting.

Using these two values, calculate the SHIFT_DELAY_RATIO using Equation 3-1. The limits for the PHASE_SHIFT attribute are different, depending on whether the result is less than or if it is greater than or equal to one.

$$SHIFT_DELAY_RATIO = \frac{FINE_SHIFT_RANGE}{T_{CLKIN}} \quad \text{Equation 3-1}$$

SHIFT_DELAY_RATIO < 1

If the Spartan-3 FPGA clock period is longer than the specified FINE_SHIFT_RANGE, then the SHIFT_DELAY_RATIO < 1, meaning that maximum fine phase shift is limited by FINE_SHIFT_RANGE. When SHIFT_DELAY_RATIO < 1, then the PHASE_SHIFT limits are set according to Equation 3-2:

$$PHASE_SHIFT_{LIMITS} = \pm \left[\text{INTEGER} \left(256 \cdot \frac{FINE_SHIFT_RANGE}{T_{CLKIN}} \right) \right] \quad \text{Equation 3-2}$$

For example, assume that F_{CLKIN} is 75 MHz ($T_{CLKIN} = 13.33$ ns) and FINE_SHIFT_RANGE is 10.00 ns. In this case, the PHASE_SHIFT value is limited to ± 191 .

Consequently, the phase shift value when SHIFT_DELAY_RATIO < 1 is shown by Equation 3-3. To determine the phase shift resolution, set PHASE_SHIFT = 1.

$$T_{PhaseShift} = \left(\frac{PHASE_SHIFT}{|PHASE_SHIFT_{LIMITS}|} \right) \cdot FINE_SHIFT_RANGE \quad \text{Equation 3-3}$$

$SHIFT_DELAY_RATIO \geq 1$

By contrast, if the Spartan-3 FPGA clock period is shorter than the specified `FINE_SHIFT_RANGE`, then the `SHIFT_DELAY_RATIO` ≥ 1 , meaning that maximum fine phase shift is limited to ± 255 .

$$PHASE_SHIFT_{LIMITS} = \pm 255 \tag{Equation 3-4}$$

Consequently, the phase shift value when `SHIFT_DELAY_RATIO` ≥ 1 is shown by [Equation 3-5](#). To determine the phase shift resolution, set `PHASE_SHIFT` = 1.

$$T_{PhaseShift} = \left(\frac{PHASE_SHIFT}{256} \right) \cdot T_{CLKIN} \tag{Equation 3-5}$$

Minimum Phase Shift Size

The minimum phase shift size is controlled by the greater of two limiting factors.

1. $1/256^{\text{th}}$ of the CLKIN clock period. However, the phase shift delay is physically implemented using delay elements.
2. The smallest phase shift amount must be at least as large as the minimum delay element resolution, listed by FPGA family in [Table 3-29](#).

Table 3-29: Delay Element Step Size

Spartan-3 Generation FPGA Family	Delay Element Specification Symbol	Delay Element Value
Spartan-3 FPGA	DCM_TAP	30 to 60 ps
Spartan-3E FPGA	DCM_DELAY_STEP	20 to 40 ps, 25 ps typical
Extended Spartan-3A FPGA	DCM_DELAY_STEP	15 to 35 ps, 23 ps typical

Other Design Considerations

In Fixed Phase Shift mode, the Variable Phase Shift control inputs must be tied to GND, which Clocking Wizard and the ISE software do automatically.

Clocking Wizard

To use Fixed Phase Shift mode, select **Fixed** in the Phase Shift section of Clocking Wizard’s [General Setup](#) panel, shown in [Figure 3-33](#). This action sets the `CLKOUT_PHASE_SHIFT` attribute to `FIXED`.

Enter the phase shift **Value**, which must be an integer within the limits described above. This action sets the **PHASE_SHIFT** attribute value. Clocking Wizard checks that the phase shift value is within the limits.

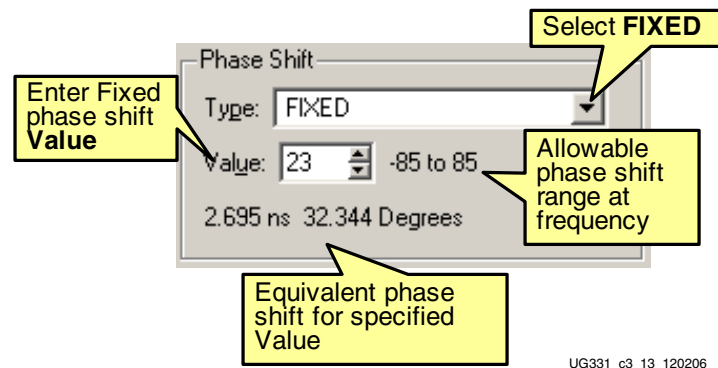


Figure 3-33: Selecting Fixed Fine Shift Mode

Variable Fine Phase Shifting

In Variable Fine Phase Shift mode, the initial skew or phase shift is still controlled by the **PHASE_SHIFT** attribute during configuration, just as it is for Fixed Fine Shift mode. However, in dynamic mode, the FPGA application can adjust the current phase shift location after the DCM's LOCKED output goes High using the Dynamic Fine Phase Shift control inputs, **PSEN**, **PSCLK**, and **PSINCDEC**.

The total resulting phase shift is the sum of the initial Fixed phase shift plus any Variable phase shift adjustments, as shown in Equation 3-6, assuming the same units.

$$\text{Phase Shift}_{TOTAL} = \text{FIXED_PHASE_SHIFT} + \text{VARIABLE_PHASE_SHIFT} \quad \text{Equation 3-6}$$

Important Differences Between Spartan-3 Generation FPGA Families

For Variable Phase Shift mode, there are important differences between Spartan-3 generation FPGA families. Spartan-3E and Spartan-3A/3AN/3A DSP FPGAs both use a silicon-efficient delay-based variable phase shifting method. Spartan-3 FPGAs use a more elaborate method based on the fraction of the clock period. Although both methods perform phase shifting, they are completely different.

Table 3-30 summarizes the differences. All Spartan-3 generation FPGAs perform Fixed Phase Shift identically, as illustrated in Figure 3-31, page 115. The resulting phase shift is always $1/256^{\text{th}}$ of the CLKIN period. Similarly, all Spartan-3 generation FPGAs use the identical Variable phase shift control mechanism using the **PSEN**, **PSINCDEC**, **PSCLK**, and **PSDONE** connections to the DCM.

The major difference is the result of each Variable Phase Shift operation. For Spartan-3 FPGAs, a Variable phase shift operation is similar to a Fixed phase shift operation. The operation always results in a phase change measured in degrees, as shown in Figure 3-31, page 115. The phase shift measured in degrees never changes; the phase shift measured in time depends on the CLKIN input frequency.

Table 3-30: FIXED and VARIABLE Phase Shift Implementations by Spartan-3 Generation FPGA Family

	Spartan-3 Generation FPGA Family		
	Spartan-3 FPGA	Spartan-3E FPGA	Extended Spartan-3A FPGA
FIXED Phase Shift unit increment or decrement unit	$1/256^{\text{th}}$ of CLKIN Period		
FIXED Phase Shift measurement unit	Degrees		
VARIABLE Phase Shift control mechanism	PSEN, PSINCDEC, PSCLK, and PSDONE signals on the DCM		
VARIABLE Phase Shift increment or decrement unit	$1/256^{\text{th}}$ of CLKIN Period (1.4065°)	DCM_DELAY_STEP, between 20 to 40 ps	DCM_DELAY_STEP, between 15 to 35 ps
Figure showing VARIABLE Phase Shift logic	Figure 3-31, page 115	Figure 3-34, page 120	
VARIABLE Phase Shift equation	Equation 3-5	Equation 3-7, Equation 3-8	
VARIABLE Phase Shift measurement unit	Degrees	Time	
Does Phase Shift, measured in degrees, change with CLKIN input frequency?	No	Yes	
Does Phase Shift, measured in time, change with CLKIN input frequency?	Yes	No	

On Spartan-3E and Spartan-3A/3AN/3A DSP FPGAs, however, a Variable Phase Shift operation results in a delay change, not a phase change. The phase shift is implemented by cascaded delay elements, as shown in [Figure 3-34](#). Each DCM_DELAY_STEP element ranges from the minimum and maximum values shown in [Table 3-29](#), [page 117](#). Consequently, the actual amount of phase shift time added to the clock outputs ranges between the cumulative minimum and maximum delay through all the selected elements. This time is relatively constant and does not change with the CLKIN frequency. The corresponding phase shift, measured in degrees, does change with frequency.

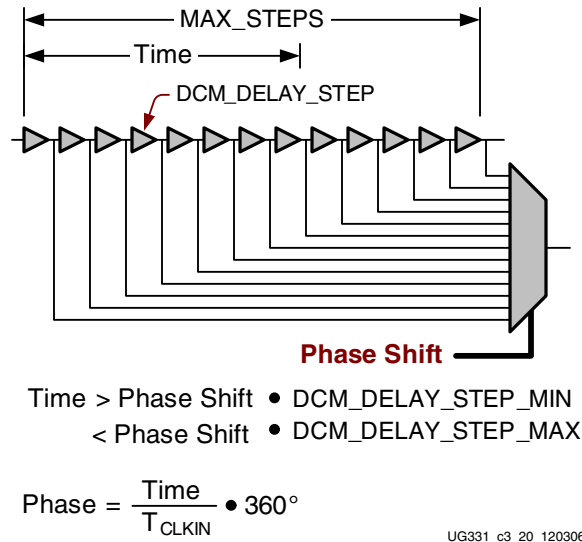


Figure 3-34: Spartan-3E and Spartan-3A/3AN/3A DSP Variable Phase Shift Logic

Spartan-3E and Spartan-3A/3AN/3A DSP Variable Phase Shift Operations

The results of a Variable phase shift operation on a Spartan-3E or Spartan-3A/3AN/3A DSP FPGA is always measured in time, as shown in Equation 3-7 and Equation 3-8. The resulting phase shift has minimum and maximum values due to the variation of the delay in each DCM_DELAY_STEP, as shown in Table 3-29, page 117.

$$T_{MAX(\text{VariableShift})} = \text{Variable} \bullet \text{DCM_DELAY_STEP_MAX} \quad \text{Equation 3-7}$$

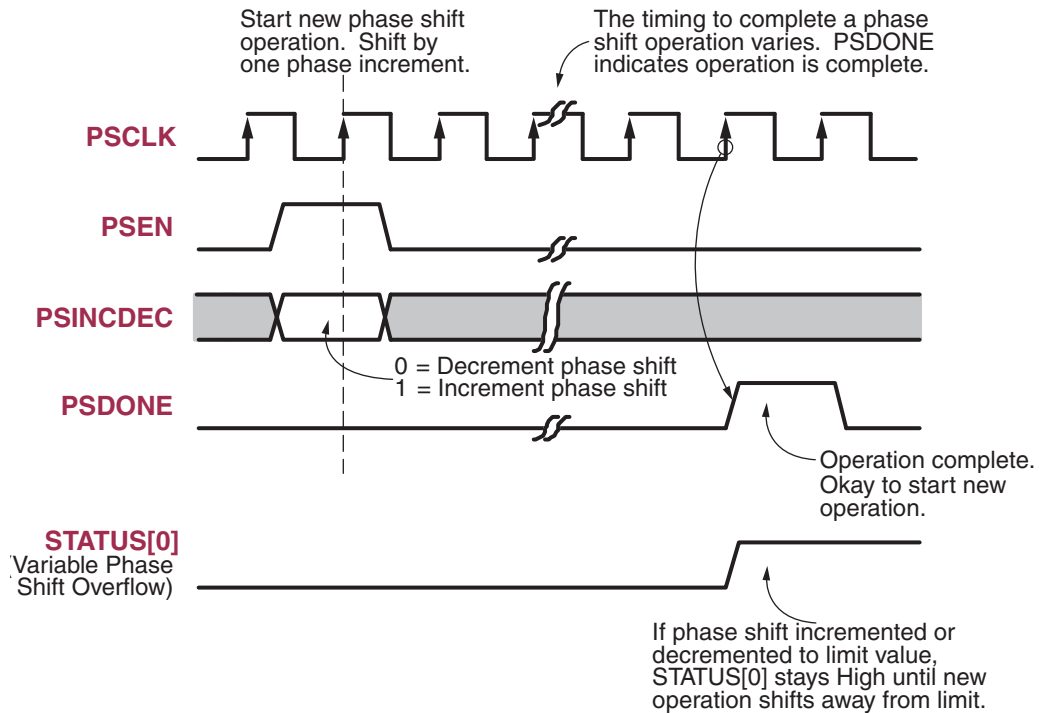
$$T_{MIN(\text{VariableShift})} = \text{Variable} \bullet \text{DCM_DELAY_STEP_MIN} \quad \text{Equation 3-8}$$

Based on the results from Equation 3-7 and Equation 3-8, the resulting phase shift, measured in degrees, is determined from Equation 3-9. T_{CLKIN} is the period of the CLKIN input.

$$\text{PHASE SHIFT} = \frac{T_{\text{VariableShift}}}{T_{\text{CLKIN}}} \bullet 360^\circ \quad \text{Equation 3-9}$$

Operation

Use the phase shift control inputs to adjust the current phase shift value, as shown in Figure 3-35. The rising edge of PSCLK synchronizes all Variable Phase Shift operations. A valid operation starts by asserting the PSEN enable input for one and only one PSCLK clock period. Asserting PSEN for more than one rising PSCLK clock edge might cause undesired behavior.



UG331_c3_29_022401

Figure 3-35: Dynamic Fine Phase Shift Control Interface

The value on the PSINCDEC increment/decrement control input determines the phase shift direction. When PSINCDEC is High, the present Variable Phase Shift value is incremented by one unit. Similarly, when PSINCDEC is Low, the present Variable Phase Shift value is decremented by one unit.

The actual phase shift operation timing varies and the operation completes when the DCM asserts the PSDONE output High for a single PSCLK clock period. Between enabling PSEN until PSDONE is asserted, the DCM output clocks slide, bit by bit, from their original phase shift value to their new phase shift value. During this time, the DCM remains locked on the incoming clock and continues to assert its LOCKED output.

The phase adjustment might require as many as 100 CLKIN cycles plus 3 PSCLK cycles to take effect, at which point the DCM's PSDONE output goes High for one PSCLK cycle. This pulse indicates that the PS unit completed the previous adjustment and is now ready for the next request.

To enable Dynamic Fine Phase Shift mode, set the CLKOUT_PHASE_SHIFT attribute to VARIABLE. The PHASE_SHIFT attribute value sets the initial phase shift location, established after FPGA configuration. The FPGA application can dynamically adjust the skew or phase shift on the DCM's output clocks after the DCM's LOCKED output goes High. If the DCM is reset, the PHASE_SHIFT value reverts to its initial configuration value.

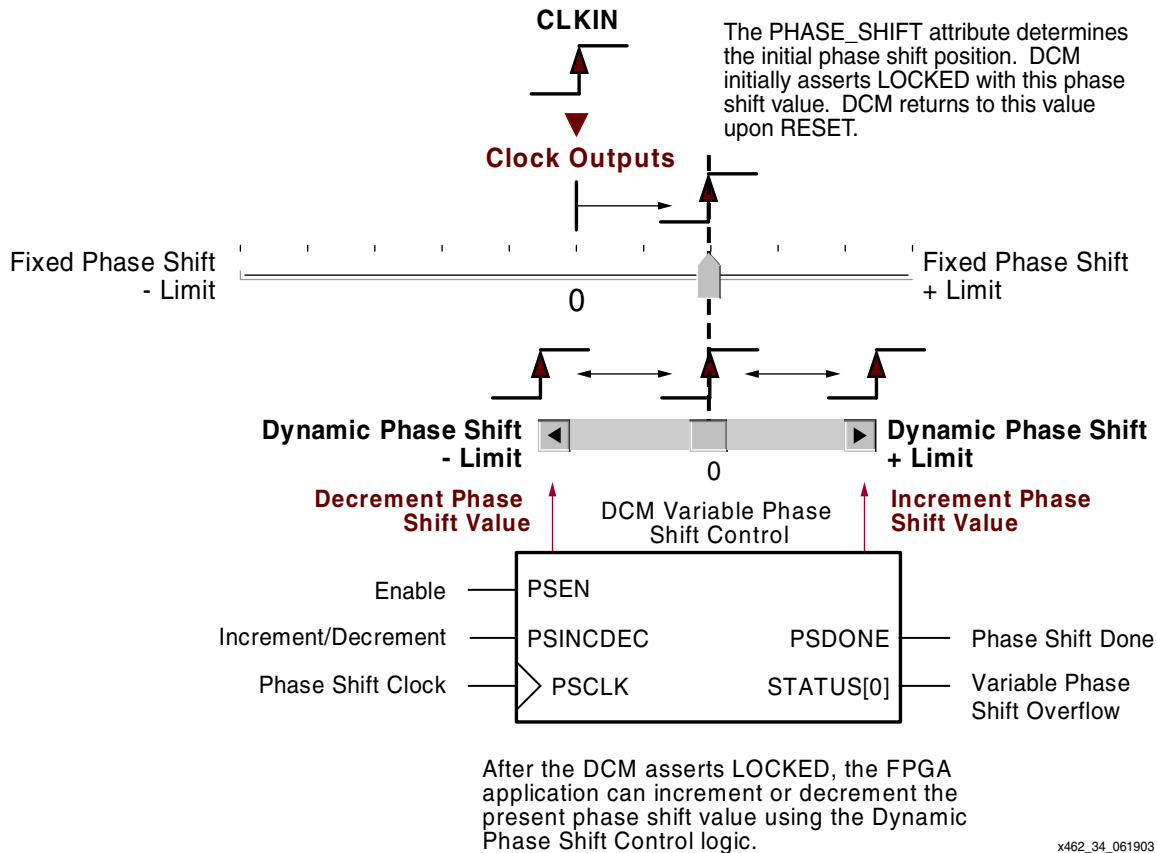


Figure 3-36: Variable Phase Shift Controls

Variable Fine Phase Shift Range

Just as the PHASE_SHIFT attribute has minimum and maximum phase shift limits, so does the Variable Phase Shift, as shown in Figure 3-36. Due to the differences between Spartan-3 FPGAs and Spartan-3E and Spartan-3A/3AN/3A DSP FPGAs, the limits are also different.

Spartan-3 FPGA Family Variable Phase Shift Range

For Spartan-3 FPGAs, the limits again depend on the ratio of the FINE_SHIFT_RANGE versus the input clock period, as calculated by the SHIFT_DELAY_RATIO equation above. However, since the Spartan-3 FPGA FINE_SHIFT_RANGE is 10 ns, and Phase Shift is only supported in the Low Frequency Mode (up to 167 MHz), the SHIFT_DELAY_RATIO will always be <2.

The maximum dynamic fine phase shift value is limited by FINE_SHIFT_RANGE, the maximum delay tap value. The Variable Phase Shift limits are set according to Equation 3-10.

$$\text{DynamicPhaseShift}_{LIMITS} = \pm \left[\text{INTEGER} \left(128 \cdot \frac{\text{FINE_SHIFT_RANGE}}{T_{CLKIN}} \right) \right] \quad \text{Equation 3-10}$$

For example, assume that F_{CLKIN} is 75 MHz ($T_{CLKIN} = 13.33$ ns) and FINE_SHIFT_RANGE is 10.00 ns. In this case, the Variable Phase Shift value is limited to ± 96 .

The Variable Phase Shift value is shown by [Equation 3-11](#). To determine the Variable Phase Shift resolution, set Variable Phase Shift = 1.

$$T_{PhaseShift} = \left(\frac{DynamicPhaseShift}{\lfloor DynamicPhaseShift_{LIMITS} \rfloor} \right) \cdot FINE_SHIFT_RANGE \quad \text{Equation 3-11}$$

Spartan-3E and Extended Spartan-3A Family Variable Phase Shift Range

For Spartan-3E and Spartan-3A/3AN/3A DSP FPGAs, variable phase shifting is performed using delay elements. There is a physical maximum for the number of delay steps, depending on the CLKIN input period, T_{CLKIN} , as shown in [Table 3-31](#).

Table 3-31: Maximum Number of DCM Delay Steps

CLKIN Frequency	CLKIN Period T_{CLKIN}	Maximum Number of DCM Delay Steps	Unit
< 60 MHz	> 16.67 ns	$\pm[\text{INTEGER}(10 \cdot (T_{CLKIN} - 3 \text{ ns}))]$	Steps
\geq 60 MHz	\leq 16.67 ns	$\pm[\text{INTEGER}(15 \cdot (T_{CLKIN} - 3 \text{ ns}))]$	

For example, assume that the CLKIN clock entering the DCM is 100 MHz, which equates to a clock period of $T_{CLKIN} = 10$ ns. Using the equation in [Table 3-31](#), the Variable Phase Shifter is limited to phase shift operations of ± 105 steps. On a Spartan-3E FPGA, this equates to a maximum variable phase shift measured in time of up to ± 2.1 ns to ± 4.2 ns. Measured in degrees, this equates to a maximum between $\pm 75.6^\circ$ and 151.2° .

Controls

As shown in [Figure 3-35, page 121](#) and [Figure 3-36, page 122](#), the DCM's Variable Phase Shift control signals allow the FPGA application to adjust the present phase relationship between the CLKIN input and the DCM clock outputs. [Table 3-32](#) shows the detailed relationship between control inputs, the current and next phase relationship, how the operation affects the delay tap, and the control outputs.

Table 3-32: Variable Phase Shifter Control (assumes no internal inversion)

PSEN	PSINC-DEC	PSCLK	Current Phase Shift	Next Phase Shift	Delay Line	PSDONE	STATUS[0] (Overflow - Not Available in Spartan-3E FPGAs)	Operation
0	X	X	X	No change	No change	?	?	Variable Phase Shift disabled.
1	0	·	> -Limit	Current - 1	Current - 1	1*	0	Decrement phase shift and phase pointer.
1	0	·	≤ -Limit and > -255	Current - 1	No Change	1*	1	End of delay line. No phase shift change. Phase pointer decremented.
1	0	·	-255	-255	No Change	1*	1	End of delay line. No phase shift change. Phase pointer at limit.
1	1	·	< +Limit	Current + 1	Current + 1	1*	0	Increment phase shift and phase pointer.
1	1	·	≥ +Limit and < +255	Current + 1	No Change	1*	1	End of delay line. No phase shift change. Phase pointer incremented.
1	1	·	+255	+255	No Change	1*	1	End of delay line. No phase shift change. Phase pointer at limit.

Notes:

X = don't care.

? = indeterminate, depends on current application state.

1* = PSDONE asserted High for one PSCLK period.

-Limit = minimum delay line position.

+Limit = maximum delay line position.

Assert PSEN for only one PSCLK cycle.

When PSEN is Low, the Variable Phase Shifter is disabled and all other inputs are ignored. All present shift values and the delay line position remain unchanged.

If the delay line has not reached its limits (-Limit or -255 when decrementing, +Limit or +255 when incrementing), then the FPGA application can change the existing phase shift value by asserting PSEN High and the appropriate increment/decrement value on PSINCDEC before the next rising edge of PSCLK. The phase shift value increments or decrements as instructed. At the end of the operation, PSDONE goes High for a single PSCLK period indicating that the phase shift operation is complete. STATUS[0] remains Low because no phase shift overflow condition occurred.

When the DCM is incremented beyond +255 or below -255, the delay line position remains unchanged at its limit value of +255 or -255 and no phase change occurs. STATUS[0] goes High, indicating a Variable Phase Shift overflow (not available in Spartan-3E FPGAs). When a new phase shift operation changes the value in the opposition direction—i.e., away from the limit value—STATUS[0] returns Low.

If the phase shift does not reach +255 or -255, but the phase shift exceeds the delay-line range—indicated by +Limit and -Limit in Table 3-32—then no phase change occurs. However, STATUS[0] again goes High. In the Spartan-3 and Extended Spartan-3A families only, the STATUS[0] output indicates when the delay tap reaches the end of the delay line. In the FPGA application, however, use the limit value calculated using Equation 3-10. The calculated delay limit is a guaranteed value. A specific device, due to processing, voltage, or temperature, might have a longer line delay, but this cannot be guaranteed from device to device. The phase shift value—but not the delay line positions—continues to increment or decrement until it reaches its +255 or -255 limit. When a new phase shift operation changes the value in the opposition direction—i.e., away from the limit value—the

STATUS[0] signal returns Low. The phase shift value is incremented or decremented back to a value that corresponds to a valid absolute delay in the delay line.

Clocking Wizard

The Variable Phase Shift options are part of the Clocking Wizard's **General Setup** panel, shown in [Figure 3-37](#). To enable dynamic fine phase shifting, select **VARIABLE**, as shown in [Figure 3-37](#). Enter an initial **Phase Shift Value** in the text box provided. The initial value behaves exactly like the **Fixed Fine Phase Shifting** mode described above.

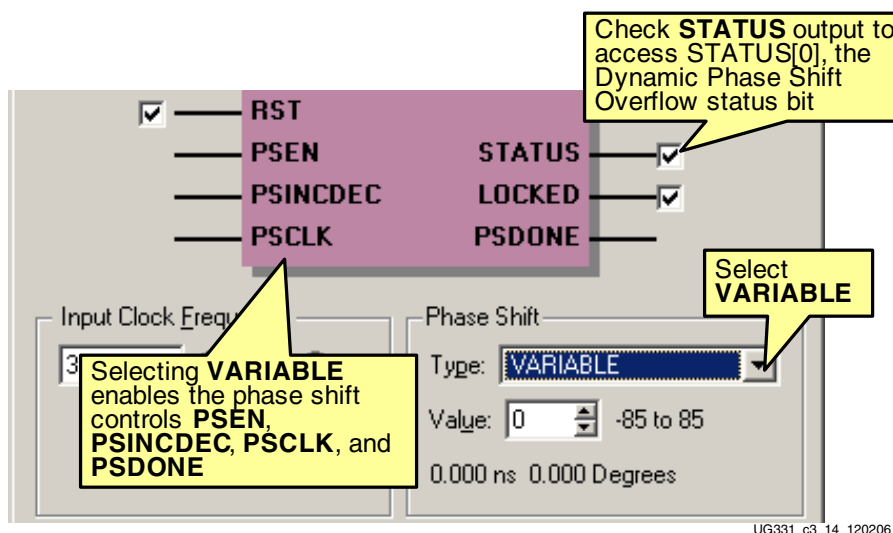


Figure 3-37: Selecting Variable Fine Phase Shift Mode in Clocking Wizard

Choosing **Variable** mode also enables the Variable Phase Shift control signals, PSEN, PSINCDEC, PSCLK, and PSDONE. For the Spartan-3 family, check the STATUS output box to enable the STATUS[0] signal. STATUS[0] indicates when the Variable Phase Shifter reaches its maximum or minimum limit value (not available in Spartan-3E family).

Example Applications

See application note XAPP268 for an example of how to use the Variable Phase Shift function to perform dynamic phase alignment.

- XAPP268: *Dynamic Phase Alignment*
http://www.xilinx.com/support/documentation/application_notes/xapp268.pdf

Clock Multiplication, Clock Division, and Frequency Synthesis

A DCM provides flexible methods for generating new clock frequencies—one of the most common DCM applications. Spartan-3 generation DCMs provide up to three independent frequency synthesis functions, listed below, and in [Figure 3-38](#), and summarized in [Table 3-33](#). An application can use one or all three functions simultaneously. Detailed descriptions for each function follows.

1. A **Clock Doubler (CLK2X, CLK2X180)** that doubles the frequency of the input clock.
2. A **Clock Divider (CLKDV)** that reduces the input frequency by a fixed divider value.
3. A **Frequency Synthesizer (CLKFX, CLKFX180)** for generating a completely new frequency from an incoming clock frequency.

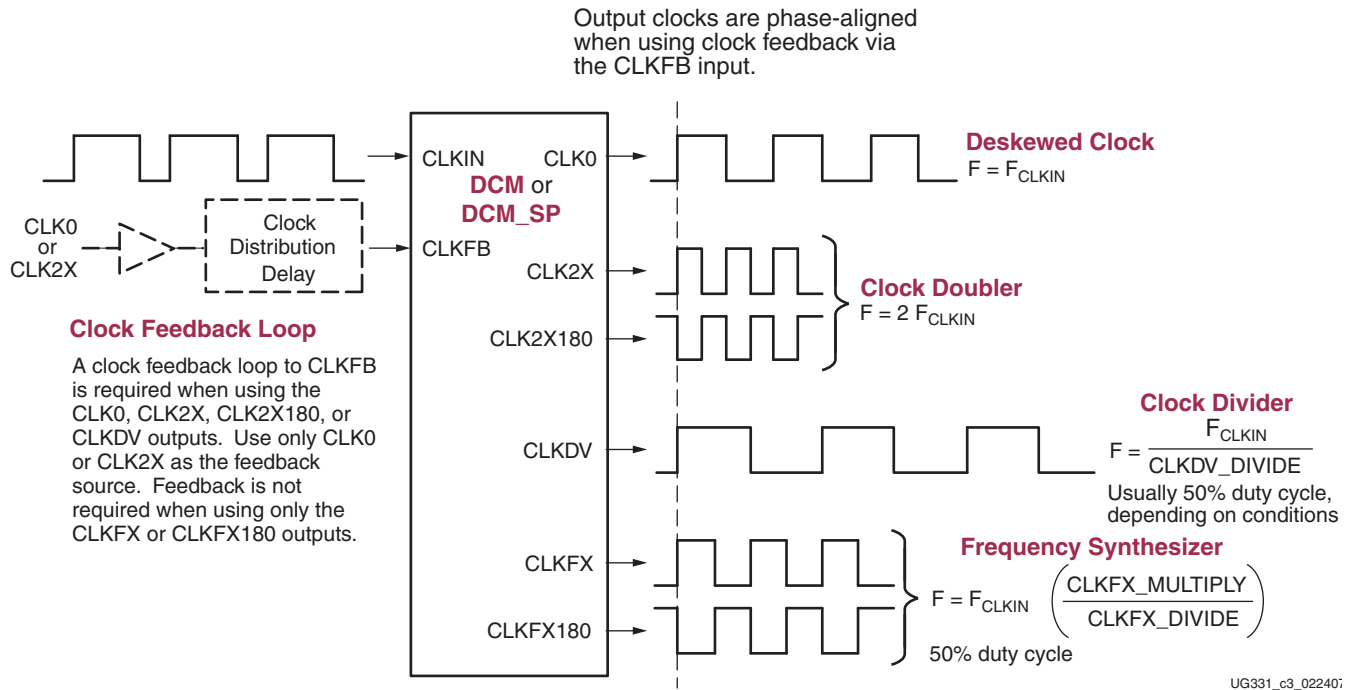


Figure 3-38: Clock Synthesis Options

All the frequency synthesis outputs, except CLKDV, always have a 50/50 duty cycle. CLKDV usually has a 50% duty cycle except when dividing by a non-integer value at high frequency, as shown in Table 3-37. The Clock Doubler (CLK2X, CLK2X180) circuit is not available at high frequencies.

All the DCM clock outputs, except CLKFX and CLKFX180, are generated by the DCM's Delay-Locked Loop (DLL) unit and consequently require some form of clock feedback to the CLKFB pin. The DCM's Digital Frequency Synthesizer (DFS) unit generates the CLKFX and CLKFX180 clock outputs. If the application uses only the CLKFX or CLKFX180 outputs, then the feedback path can be eliminated, which also extends the DCM's operating range. The Frequency Synthesizer has a feedback path within the DCM, based on CLKIN.

Table 3-33: DCM Frequency Synthesis Options

Function	DCM Output(s)	Frequency	DCM Functional Unit	Feedback Required?	50% Duty Cycle?
Deskewed Clock	CLK0	F_{CLKIN}	DLL	Yes	When DUTY_CYCLE_CORRECTION = TRUE
Clock Doubler	CLK2X CLK2X180	$2 \cdot F_{CLKIN}$	DLL	Yes	Always
Clock Divider	CLKDV	$\frac{F_{CLKIN}}{CLKDV_DIVIDE}$	DLL	Yes	Always except when dividing by non-integer value in high-frequency mode
Frequency Synthesizer	CLKFX CLKFX180	$F_{CLKIN} \cdot \left(\frac{CLKFX_MULTIPLY}{CLKFX_DIVIDE} \right)$	DFS	Optional. No feedback extends clock input frequency limits.	Always

Output Alignment

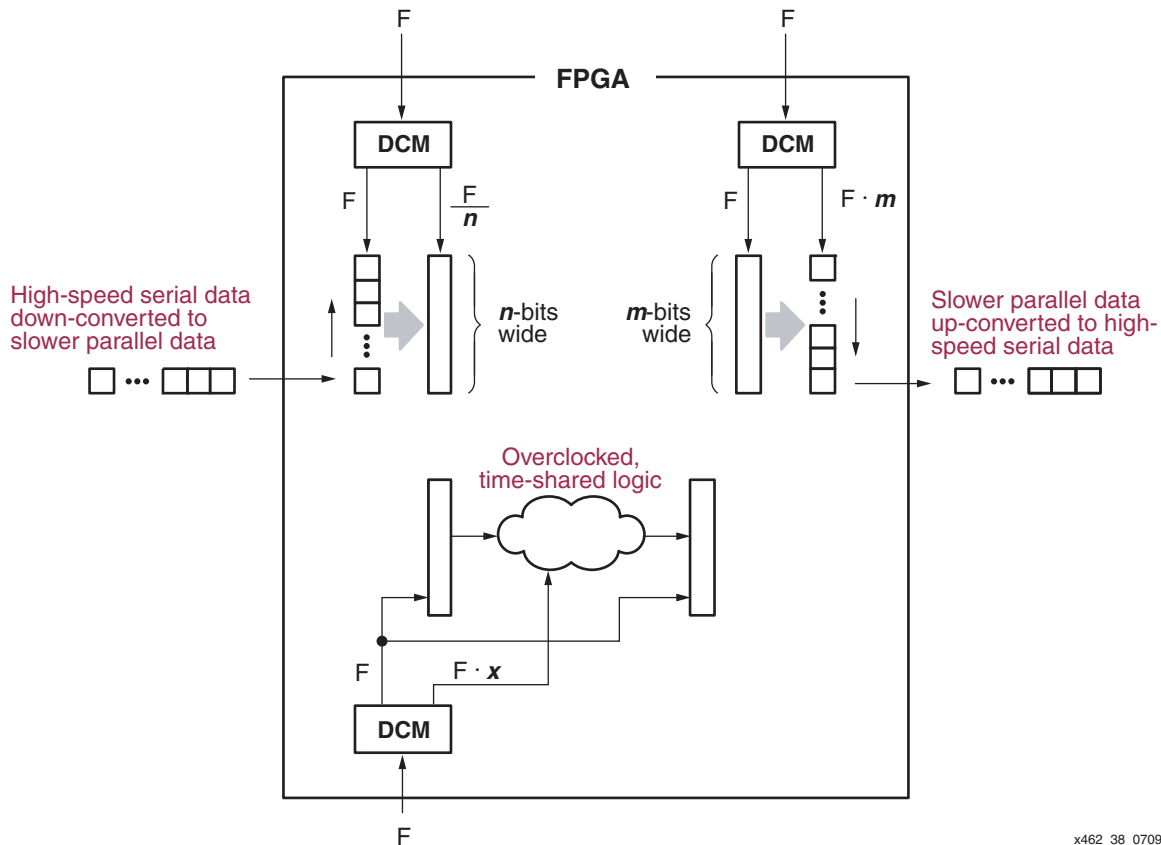
If clock feedback is used, then all the output clocks are phase aligned. Obviously, full clock-edge alignment across all the DCM outputs occurs only occasionally because some of the outputs are divided clock values. For example, the CLKDV output is aligned to CLKIN and CLK0 every CLKDV_DIVIDE cycles. Similarly, the CLK2X output is aligned to CLK0 every other clock cycle. The CLKFX output is aligned to CLKIN every CLKFX_DIVIDE cycles of CLKIN and every CLKFX_MULTIPLY cycles of CLKFX.

Individual outputs are aligned to CLKIN, but when using divided clocks the DCM arbitrarily picks a rising edge to align to; therefore, the rising edge of the CLKFX output might not be aligned to the other outputs. For example, a divide-by-two function on CLKDV and a divide-by-four function on CLKFX could be aligned on a falling edge instead of a rising edge. To align the rising edges in this case, use CLKIN_DIVIDE_BY_2 on the input, and use the CLK0 output for the divide-by-two and the CLKDV output (with $D = 2$) for the divide-by-four. If this is not possible, the CLKDV output of one DCM can be cascaded to a second DCM and CLKDV, with $D = 2$ for both. Also note that the first rising edge of CLKFX after LOCKED is High is not always the one aligned to the rising edge of CLK0. For example, if CLKFX is set to a 1.5X multiple of CLK0, the first rising edge of CLK0 after LOCKED is achieved might be aligned to the falling edge of CLKFX, or it might be aligned to the rising edge of CLKFX. In this case, you will have alignment on rising edges at every other CLK0, but not for the very first CLK0 after LOCKED is High.

Frequency Synthesis Applications

The potential applications for frequency synthesis are almost boundless. Some example applications include the following.

- Generating a completely new clock frequency for the FPGA and external logic using an available clock frequency on the board.
- Generate a high-frequency internal clock from a slower external clock source to reduce system EMI.
- Dividing a high-speed serial data clock to process data in parallel within the FPGA, as shown in [Figure 3-39](#).
- Multiplying a parallel data clock before converting to a high-speed serial data format, also shown in [Figure 3-39](#).
- Multiplying an input clock to overclock internal logic to reduce resources by time-sharing logic when implementing moderately fast functions.



x462_38_070903

Figure 3-39: Common Applications of Frequency Synthesis

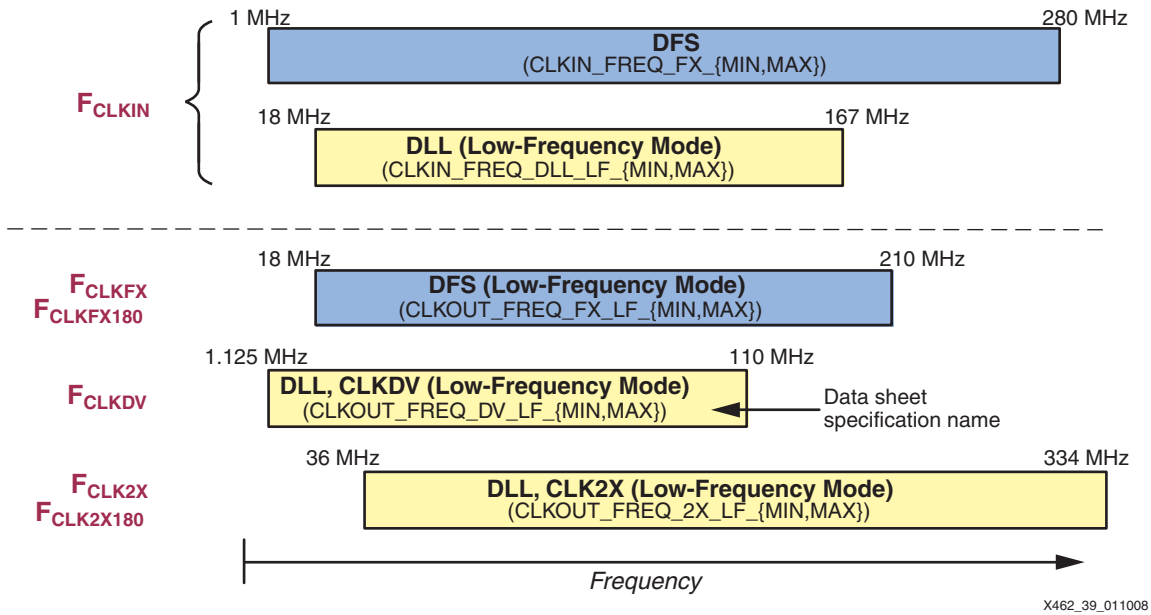
Input and Output Clock Frequency Restrictions

The input and output clock frequency restrictions for frequency synthesis depend on which DCM clock outputs are used. For example, the `CLKFX` and `CLKFX180` outputs only use the DCM's DFS unit. All the other clock outputs use the DCM's DLL unit. The DLL unit has tighter frequency restrictions than the DFS. Consequently, operating the DFS unit without the DLL allows a wider frequency operating range. When using both the DFS and DLL units, the DLL frequency range limits the application.

Also, for the Spartan-3 FPGA family, both the DLL and DFS have a low- and a high-frequency operating mode and the mode settings determine the allowable frequency operating range.

A valid DCM design requires that the `CLKIN` frequency be within the operating range specified in the FPGA data sheet, summarized in [Table 3-9, page 76](#) and [Table 3-10, page 76](#). Likewise, the output frequency for any of the clock outputs used must fall within their respective specified operating range.

The example shown in [Figure 3-40](#) uses a Spartan-3 family FPGA because of the extra restrictions imposed by the High and Low operating frequency modes. [Figure 3-40](#) shows how the various clock input and clock output specifications line up by frequency range. Only the low-frequency operating modes are shown. The Spartan-3 FPGA family data sheet specification for each name is shown within the shaded boxes. [Table 3-34, page 129](#) provides example DCM applications and how the frequency restrictions apply.



See Module 3 of [DS099](#), *Spartan-3 FPGA Family: Complete Data Sheet* for details.

Figure 3-40: Input and Output Clock Frequency Restrictions (Spartan-3 FPGA Family, Low-Frequency Mode Example)

Table 3-34: DCM Frequency Restriction Examples (Spartan-3 FPGA Family, Low-Frequency Mode Example)

Input Frequency	Output Frequency	Comments
1.2 MHz	12.8 MHz	Not possible in a single DCM. F_{CLKIN} is within acceptable range for DFS unit, but F_{CLKFX} requires at least an 18 MHz output frequency.
1.2 MHz	32.4 MHz	Possible in a single DCM using DFS unit. Set $CLKFX_MULTIPLY = 27$. F_{CLKFX} is within the DFS output frequency range.
25 MHz	2.5 MHz 30 MHz	Possible in a single DCM using both the DFS and DLL units. Use the CLKDV output for a 2.5 MHz signal, setting $CLKDV_DIVIDE=10$. Use the CLKFX output for a 30 MHz signal, setting $CLKFX_MULTIPLY = 6$ and $CLKFX_DIVIDE = 5$. All input and output frequencies are within appropriate ranges.

Clock Doubler (CLK2X, CLK2X180)

The Clock Doubler unit doubles the frequency of the incoming CLKIN input, as summarized in [Table 3-35](#). The Clock Doubler is part of the DLL functional unit and requires a clock feedback path back to CLKFB from either the CLK0 or CLK2X output. The outputs from the Clock Doubler are CLK2X and CLK2X180. Both outputs are always conditioned to a 50% duty cycle. Both have the same output frequency but CLK2X180 is 180° phase shifted from CLK2X, essentially inverting the CLK2X output. Having both phases is essential for high-performance Dual-Data Rate (DDR) or clock forwarding applications.

The CLK2X and CLK2X180 outputs are available in the Spartan-3 family only when the [DLL_FREQUENCY_MODE](#) attribute is LOW. If required by the application, reduce the CLKIN input frequency using the optional divide-by-two feature (see “[Advanced Options](#),” page 92).

Table 3-35: Clock Doubler Summary

DCM Output(s)	CLK2X CLK2X180		
Output Frequency	$2 \cdot F_{CLKIN}$		
DCM Functional Unit	Delay-Locked Loop (DLL)		
Feedback Required?	Yes		
50% Duty Cycle?	Yes		
Controlling Attributes			
<i>Spartan-3 FPGAs only:</i> DLL_FREQUENCY_MODE	On Spartan-3 FPGAs, the CLK2X and CLK2X180 outputs are only valid when DLL_FREQUENCY_MODE = LOW.		
CLKIN	Generally, the CLK2X and CLK2X180 outputs are only available up to a CLKIN of 167 MHz, primarily because the output frequency is limited to 334 MHz. On Spartan-3 FPGAs, the CLKIN frequency limits are determined by the DLL_FREQUENCY_MODE attribute.		
	Spartan-3 Generation FPGA Family	Minimum Frequency	Maximum Frequency
	Spartan-3 FPGA	CLKIN_FREQ_DLL_LF_MIN 18 MHz	CLKIN_FREQ_DLL_LF_MAX 167 MHz
	Spartan-3E FPGA (Stepping 1)	CLKIN_FREQ_DLL_MIN 5 MHz	Limited to half maximum CLK2X frequency -4: 155.5 MHz -5: 167 MHz
	Extended Spartan-3A FPGA	CLKIN_FREQ_DLL_MIN 5 MHz	Limited to half maximum CLK2X frequency 167 MHz
CLK2X CLK2X180	On Spartan-3 FPGAs, the CLK2X frequency limits are determined by the DLL_FREQUENCY_MODE attribute.		
	Spartan-3 Generation FPGA Family	Minimum Frequency	Maximum Frequency
	Spartan-3 FPGA	CLKOUT_FREQ_2X_LF_MIN 36 MHz	CLKOUT_FREQ_2X_LF_MAX 334 MHz
	Spartan-3E FPGA (Stepping 1)	CLKOUT_FREQ_2X_MIN 10 MHz	CLKOUT_FREQ_2X_MAX -4: 311 MHz -5: 334 MHz
	Extended Spartan-3A FPGA	CLKOUT_FREQ_2X_MIN 10 MHz	CLKOUT_FREQ_2X_MAX 334 MHz

Clock Divider (CLKDV)

The Clock Divider unit, summarized in [Table 3-36](#), divides the incoming CLKIN frequency by the value specified by the CLKDV_DIVIDE attribute, set at design time. The Clock Divider unit is part of the DLL functional unit and requires a clock feedback path back to CLKFB from either the CLK0 or CLK2X output.

Table 3-36: Clock Divider Summary

DCM Output(s)	CLKDV														
Output Frequency	$\frac{F_{CLKIN}}{CLKDV_DIVIDE}$														
DCM Functional Unit	Delay-Locked Loop (DLL)														
Feedback Required?	Yes, using either CLK0 or CLK2X output from DCM														
50% Duty Cycle?	Yes, except when DLL_FREQUENCY_MODE=HIGH and CLKDV_DIVIDE is a non-integer value														
Controlling Attributes															
<i>Spartan-3 FPGAs only:</i> DLL_FREQUENCY_MODE	CLKDV is available in both modes. Potentially affects duty cycle of output (see “ CLKDV Clock Conditioning ”), depending on divider value.														
CLKDV_DIVIDE	Controls the output frequency per the equation above. Legal values include 1.5, 2, 2.5, 3, 3.5, 4, 4.5, 5, 5.5, 6, 6.5, 7, 7.5, 8, 9, 10, 11, 12, 13, 14, 15, and 16. The DLL locks faster on integer values than on non-integer values. Likewise, integer values result in lower output jitter.														
Frequency Constraints															
CLKIN	The CLKIN frequency limits are listed in the following tables. Spartan-3E and Spartan-3A/3AN/3A DSP FPGAs: Table 3-9, page 76 Spartan-3 FPGAs: Table 3-10, page 76														
CLKDV	On Spartan-3 FPGAs, the CLKDV frequency limits are determined by the DLL_FREQUENCY_MODE attribute. <table border="1" data-bbox="483 1066 1458 1507"> <thead> <tr> <th>Spartan-3 Generation FPGA Family</th> <th>Minimum Frequency</th> <th>Maximum Frequency</th> </tr> </thead> <tbody> <tr> <td rowspan="2">Spartan-3 FPGA</td> <td>CLKOUT_FREQ_DV_LF_MIN 1.125 MHz</td> <td>CLKOUT_FREQ_DV_LF_MAX 110 MHz</td> </tr> <tr> <td>CLKOUT_FREQ_DV_HF_MIN 3.0 MHz</td> <td>CLKOUT_FREQ_DV_HF_MAX 185 MHz</td> </tr> <tr> <td>Spartan-3E FPGA (Stepping 1)</td> <td>CLKOUT_FREQ_DV_MIN 0.3125 MHz (312.5 kHz)</td> <td>CLKOUT_FREQ_DV_MAX -4: 160 MHz -5: 183 MHz</td> </tr> <tr> <td>Extended Spartan-3A FPGA</td> <td>CLKOUT_FREQ_DV_MIN 0.3125 MHz (312.5 kHz)</td> <td>CLKOUT_FREQ_DV_MAX -4: 166 MHz -5: 186 MHz</td> </tr> </tbody> </table>	Spartan-3 Generation FPGA Family	Minimum Frequency	Maximum Frequency	Spartan-3 FPGA	CLKOUT_FREQ_DV_LF_MIN 1.125 MHz	CLKOUT_FREQ_DV_LF_MAX 110 MHz	CLKOUT_FREQ_DV_HF_MIN 3.0 MHz	CLKOUT_FREQ_DV_HF_MAX 185 MHz	Spartan-3E FPGA (Stepping 1)	CLKOUT_FREQ_DV_MIN 0.3125 MHz (312.5 kHz)	CLKOUT_FREQ_DV_MAX -4: 160 MHz -5: 183 MHz	Extended Spartan-3A FPGA	CLKOUT_FREQ_DV_MIN 0.3125 MHz (312.5 kHz)	CLKOUT_FREQ_DV_MAX -4: 166 MHz -5: 186 MHz
Spartan-3 Generation FPGA Family	Minimum Frequency	Maximum Frequency													
Spartan-3 FPGA	CLKOUT_FREQ_DV_LF_MIN 1.125 MHz	CLKOUT_FREQ_DV_LF_MAX 110 MHz													
	CLKOUT_FREQ_DV_HF_MIN 3.0 MHz	CLKOUT_FREQ_DV_HF_MAX 185 MHz													
Spartan-3E FPGA (Stepping 1)	CLKOUT_FREQ_DV_MIN 0.3125 MHz (312.5 kHz)	CLKOUT_FREQ_DV_MAX -4: 160 MHz -5: 183 MHz													
Extended Spartan-3A FPGA	CLKOUT_FREQ_DV_MIN 0.3125 MHz (312.5 kHz)	CLKOUT_FREQ_DV_MAX -4: 166 MHz -5: 186 MHz													

CLKDV Clock Conditioning

The CLKDV output is conditioned to a 50% duty cycle unless the [DLL_FREQUENCY_MODE](#) attribute is set to HIGH and [CLKDV_DIVIDE](#) is a non-integer value. Under these conditions, the CLKDV duty cycle is shown in [Table 3-37](#). A Spartan-3, Spartan-3E, or Extended Spartan-3A family DCM requires CLKIN to have at least a

60%/40% (or 40%/60%) or better duty cycle. Consequently, the CLKDV output, divided by 1.5 in high-frequency mode cannot provide a clock input to a second cascaded DCM.

Table 3-37: CLKDV Duty Cycle with DLL_FREQUENCY_MODE=HIGH

CLKDV_DIVIDE Attribute	Duty Cycle	High Time/ Total Cycle
Integer	50.000%	1/2
1.5	33.333%	1/3
2.5	40.000%	2/5
3.5	42.857%	3/7
4.5	44.444%	4/9
5.5	45.454%	5/11
6.5	46.154%	6/13
7.5	46.667%	7/15

CLKDV Jitter Depends on Frequency Mode and Integer or Non-Integer Value

Similarly, integer values for the `CLKDV_DIVIDE` attribute result in lower output jitter and faster DLL locking times.

Table 3-38: CLKDV Output Jitter

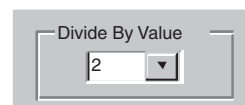
CLKDV_DIVIDE	Data Sheet Symbol	Spartan-3 Generation FPGA Family	CLKDV Output Period Jitter
Integer Value	CLKOUT_PER_JITT_DV1	All	±150 ps
Non-Integer Value	CLKOUT_PER_JITT_DV2	Spartan-3 FPGA	±300 ps
		Spartan-3E FPGA Extended Spartan-3A FPGA	±[1% of CLKIN period + 150] ps

Clocking Wizard

The Clock Divider controls are in Clocking Wizard's [General Setup](#) window. Check the CLKDV output box, shown in [Figure 3-41a](#). Then, choose the Clock Divider's **Divide by Value** using the drop-down list, shown in [Figure 3-41b](#).



a. Check the CLKDV Output Box



b. Select the Divide by Value from the Drop-Down List

Figure 3-41: Specifying the Clock Divider in Clocking Wizard

Frequency Synthesizer (CLKFX, CLKFX180)

The Frequency Synthesizer provides the most flexible means to multiply, divide, or multiply and divide an input frequency. As shown in [Table 3-39](#), the two Frequency Synthesizer outputs are `CLKFX` and `CLKFX180`. The `CLKFX180` output has the same

frequency as CLKFX but is phase shifted 180°, or half a clock period. Because both Frequency Synthesizer outputs have 50% duty cycles, CLKFX180 appears to be an inverted version of CLKFX.

Two attributes, set at design time, control the synthesized output frequency, as shown in the equation in [Table 3-39](#). The CLKIN clock input is multiplied the fraction formed by [CLKFX_MULTIPLY](#) as the numerator and [CLKFX_DIVIDE](#) as the denominator. For example, to create a 155 MHz output using a 75 MHz CLKIN input, the Frequency Synthesizer multiplies CLKIN by the fraction 31/15. Note that it does not multiply CLKIN by 31 first, then divide by the result by 15. Multiplying CLKIN by 31 would result in a 2.325 GHz output frequency—well outside the frequency range of the Spartan-3 DCM.

The multiplier and divider values should be reduced to their simplest form, which results in faster lock times. For example, reduce the fraction 6/8 to 3/4.

Frequency synthesis always requires some form of clock feedback. However, the DFS unit has an internal feedback loop based on CLKIN and does not require a separate loop on CLKFB if used without the DLL unit.

The CLKFX output is phase aligned with the CLKIN input every CLKFX_DIVIDE cycles of CLKIN and every CLKFX_MULTIPLY cycles of CLKFX. For example, if CLKFX_MULTIPLY = 3 and CLKFX_DIVIDE = 5, then the CLKFX output is phase aligned with the CLKIN input every five CLKIN cycles and every three CLKFX cycles. After the DCM asserts its LOCKED output, the DFS unit is resynchronized to the CLKIN input at each concurrence and phase alignment is nearly perfect at these edges.

Table 3-39: Frequency Synthesizer Summary

DCM Output(s)	CLKFX CLKFX180 (same as CLKFX, phase shifted 180°)
Output Frequency	$F_{CLKIN} \cdot \frac{CLKFX_MULTIPLY}{CLKFX_DIVIDE}$
DCM Functional Unit	Digital Frequency Synthesizer (DFS)
Feedback Required?	No. Uses internal feedback based on CLKIN. Optionally can use CLKFB input if required for Delay-Locked Loop (DLL) functions.
50% Duty Cycle?	Yes, always.
Controlling Attributes	
Spartan-3 FPGAs only: DFS_FREQUENCY_MODE	Affects frequency limits on CLKIN and the CLKFX, CLKFX180 outputs.
Spartan-3 FPGAs only: DLL_FREQUENCY_MODE	Only affects the Frequency Synthesizer if the application uses any DLL outputs. Potentially reduces the CLKIN frequency to the more restrictive DLL limits. If only the CLKFX or CLKFX180 outputs are used, then DFS_FREQUENCY_MODE alone defines the frequency limits.
CLKFX_MULTIPLY	Controls the output frequency per the equation above. Legal values include integer values ranging from 2 to 32. Default value is 4.
CLKFX_DIVIDE	Controls the output frequency per the equation above. Legal values include integer values ranging from 1 to 32. Default value is 1.

Table 3-39: Frequency Synthesizer Summary (Continued)

Frequency Constraints																
CLKIN	<p>The CLKIN frequency limits depend on whether the application uses any outputs from the Delay-Locked Loop (DLL) unit. If the DLL unit is used, then the more restrictive DLL clock limits apply.</p> <p>DFS Alone: Table 3-10, page 76</p> <p>DFS Used with DLL:</p> <p>Spartan-3 FPGAs: Table 3-10, page 76</p> <p>Spartan-3E and Spartan-3A/3AN/3A DSP FPGAs: Table 3-9, page 76.</p>															
CLKFX CLKFX180	<p>The CLKFX and CLKFX180 output frequency limits are determined by the DFS_FREQUENCY_MODE attribute.</p> <table border="1"> <thead> <tr> <th>Spartan-3 Generation FPGA Family</th> <th>Minimum Frequency</th> <th>Maximum Frequency</th> </tr> </thead> <tbody> <tr> <td rowspan="2">Spartan-3 FPGA (Mask Rev 'E')</td> <td>CLKOUT_FREQ_FX_LF_MIN 18 MHz</td> <td>CLKOUT_FREQ_FX_LF_MAX 210 MHz</td> </tr> <tr> <td>CLKOUT_FREQ_FX_HF_MIN 210 MHz</td> <td>CLKOUT_FREQ_FX_HF_MAX -4: 307 MHz -5: 326 MHz</td> </tr> <tr> <td>Spartan-3E FPGA (Stepping 1)</td> <td>CLKOUT_FREQ_FX_MIN 5 MHz</td> <td>CLKOUT_FREQ_FX_MAX -4: 311 MHz -5: 333 MHz</td> </tr> <tr> <td>Extended Spartan-3A FPGA</td> <td>CLKOUT_FREQ_FX_MIN 5 MHz</td> <td>CLKOUT_FREQ_FX_MAX -4: 320 MHz -5: 350 MHz</td> </tr> </tbody> </table>		Spartan-3 Generation FPGA Family	Minimum Frequency	Maximum Frequency	Spartan-3 FPGA (Mask Rev 'E')	CLKOUT_FREQ_FX_LF_MIN 18 MHz	CLKOUT_FREQ_FX_LF_MAX 210 MHz	CLKOUT_FREQ_FX_HF_MIN 210 MHz	CLKOUT_FREQ_FX_HF_MAX -4: 307 MHz -5: 326 MHz	Spartan-3E FPGA (Stepping 1)	CLKOUT_FREQ_FX_MIN 5 MHz	CLKOUT_FREQ_FX_MAX -4: 311 MHz -5: 333 MHz	Extended Spartan-3A FPGA	CLKOUT_FREQ_FX_MIN 5 MHz	CLKOUT_FREQ_FX_MAX -4: 320 MHz -5: 350 MHz
Spartan-3 Generation FPGA Family	Minimum Frequency	Maximum Frequency														
Spartan-3 FPGA (Mask Rev 'E')	CLKOUT_FREQ_FX_LF_MIN 18 MHz	CLKOUT_FREQ_FX_LF_MAX 210 MHz														
	CLKOUT_FREQ_FX_HF_MIN 210 MHz	CLKOUT_FREQ_FX_HF_MAX -4: 307 MHz -5: 326 MHz														
Spartan-3E FPGA (Stepping 1)	CLKOUT_FREQ_FX_MIN 5 MHz	CLKOUT_FREQ_FX_MAX -4: 311 MHz -5: 333 MHz														
Extended Spartan-3A FPGA	CLKOUT_FREQ_FX_MIN 5 MHz	CLKOUT_FREQ_FX_MAX -4: 320 MHz -5: 350 MHz														

Clocking Wizard

To enable the Frequency Synthesizer in Clocking Wizard, check the [CLKFX](#), [CLKFX180](#), or both clock outputs in the [General Setup](#) window, as shown in [Figure 3-42](#).

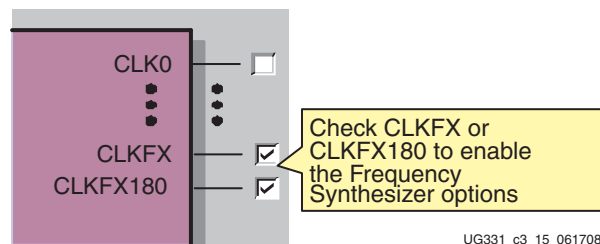


Figure 3-42: Enabling Frequency Synthesizer in Clocking Wizard

If using the CLKFX or CLKFX180 clock outputs stand-alone, then optionally extend the frequency limits by disabling any DLL clock outputs and any feedback.

- Disable DCM feedback by selecting **None**, as shown in [Figure 3-43](#). Without feedback, the CLKFX and CLKFX180 frequency range is extended to both lower and higher frequencies and disables the CLK0 and other DLL outputs.

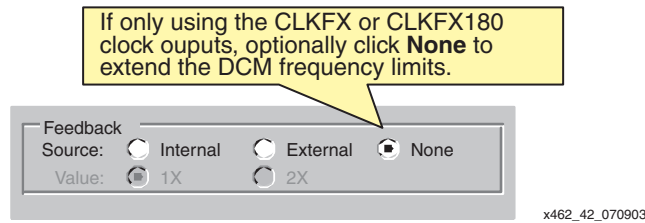


Figure 3-43: Select No Feedback (None) to Extend Frequency Synthesizer Frequency Limits

Finally, enter the desired output frequency or the Multiply and Divide values, as described in the Clocking Wizard [Clock Frequency Synthesizer](#) panel section.

Clock Forwarding, Mirroring, Rebuffering

Because DCMs provide advanced clock control features and Spartan-3 generation I/O pins support a variety of I/O voltage standards, Spartan-3 generation FPGAs commonly are used to rebuffer or mirror clock signals, often changing the input clock from one voltage standard to another. Likewise, the DCM conditions an incoming clock signal so that it has a 50% duty cycle.

[Figure 3-20](#) shows a simple example where a DCM conditions an incoming clock to a 50% duty cycle, and then either forwards the clock at the same frequency using the CLK0 output, or doubles the frequency using the DCM CLK2X output. Similarly, the input and output clocks are phase aligned once the DCM asserts its LOCKED output. The clock feedback path to CLKFB monitors and eliminates the clock distribution delay at the external clock feedback point.

If a 50/50 duty cycle is important on the output clock, make sure that the output I/O standard can switch fast enough to preserve the 50% duty cycle. Verify the duty cycle performance using IBIS simulation on the output signal. Some I/O standards have asymmetric rise and fall times that distort the duty cycle higher frequencies. On the Spartan-3 FPGA family, the DCI versions of HSTL, SSTL, and LVCMOS I/O standards have better symmetry. Generally, differential I/Os also have less distortion.

To guarantee a 50/50 duty cycle above 100 MHz, the DCM's duty cycle correction capability is mandatory for the Spartan-3 FPGA family, even if the CLKIN source provides a clean 50% duty cycle. Consequently, the DUTY_CYCLE_CORRECTION attribute must equal TRUE when using the CLK0, CLK90, CLK180, or CLK270 outputs for clock forwarding. The other DCM clock outputs are normally always clock corrected to a 50% duty cycle (see [“Clock Conditioning”](#)).

For best duty-cycle performance—especially at 200 MHz and greater—use a circuit similar to that shown in [Figure 3-44](#). Use both the CLKx and CLKx180 outputs from the DCM to drive the C0 and C1 inputs, respectively, on a Dual-Data Rate (DDR) output flip-flop. The Spartan-3 family provides the OFDDRCPE and variations, while the Spartan-3E and Extended Spartan-3A families provide the superset ODDR2 component. Connect the D0 input of the DDR flip-flop to V_{CC} and the D1 input to GND. Each DCM output drives a separate global buffer, which minimizes duty-cycle distortion. At higher frequencies, it is best not to distribute just one clock and invert one phase locally within the DDR flip-flop, as this adds approximately 400 ps of duty-cycle distortion.

At frequencies of 250 MHz or higher, distribute clocks using a differential signaling standard, such as LVDS. In [Figure 3-44](#), for example, both the CLKIN clock input and the clock output use LVDS. Additionally, the clock feedback path uses LVDS. For optimal

performance, both the clock input and the clock feedback paths require differential global buffer inputs (IBUFGDS), which unfortunately consumes all the global buffer inputs along one edge of the device. However, this solution provides the best-quality clock forwarding solution at high frequencies.

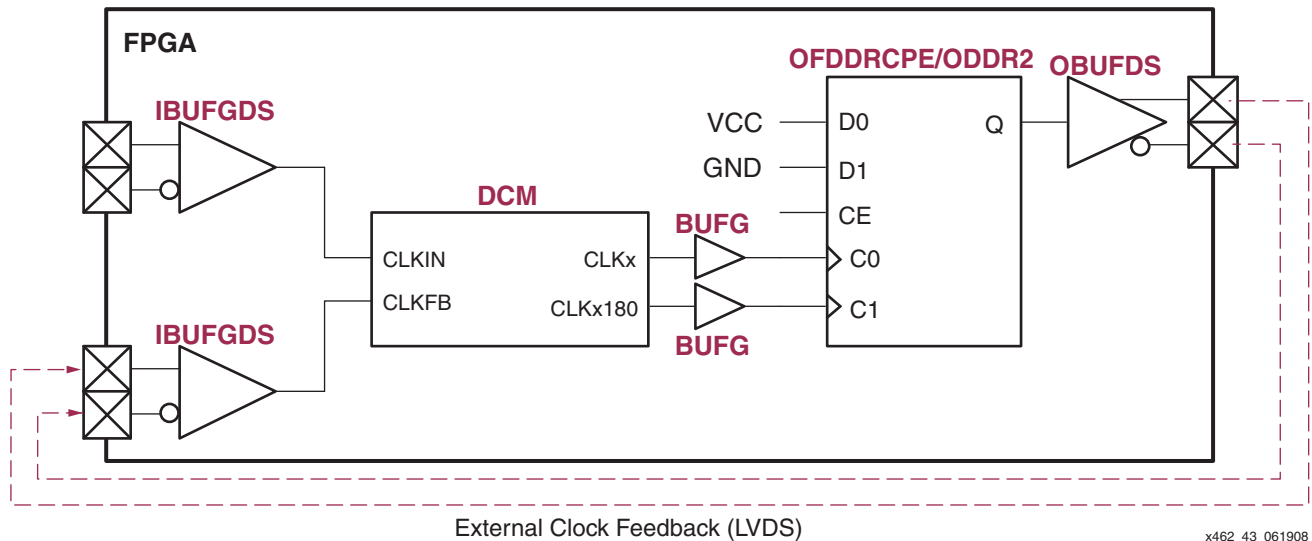


Figure 3-44: High-Frequency (250+ MHz) LVDS Clock Forwarding Circuit with 50% Duty Cycle

Clock Jitter or Phase Noise

All clocks, including the most expensive, high-precision sources, exhibit some amount of clock jitter or phase noise. The Spartan-3 Digital Clock Managers have their own jitter characteristics, as described in this section. When operating at low frequencies—20 MHz, for example—the effects of jitter usually can be ignored. However, when operating at high frequencies—200 MHz, for example, especially in dual-data rate (DDR) applications—clock jitter becomes a relevant design factor. Clock jitter directly subtracts from the time available to the FPGA application by effectively reducing the available time between active clock edges.

What is Clock Jitter?

Clock jitter is the variation of a clock edge from its ideal position in time, as illustrated in Figure 3-45. The heavy line shows the ideal position on the clock signal. On each clock edge, there is some amount of variation between the actual clock edge and its ideal location. The difference between the maximum and minimum variations is called peak-to-peak jitter. Jitter is only relevant on the active clock edge. For example, in single-data rate (SDR) applications, data is clocked at each rising clock edge and the specified jitter only subtracts from the total clock period. In dual-data rate (DDR) application, data is clocked at the start of each period and halfway into the period. Therefore, jitter affects each half period.

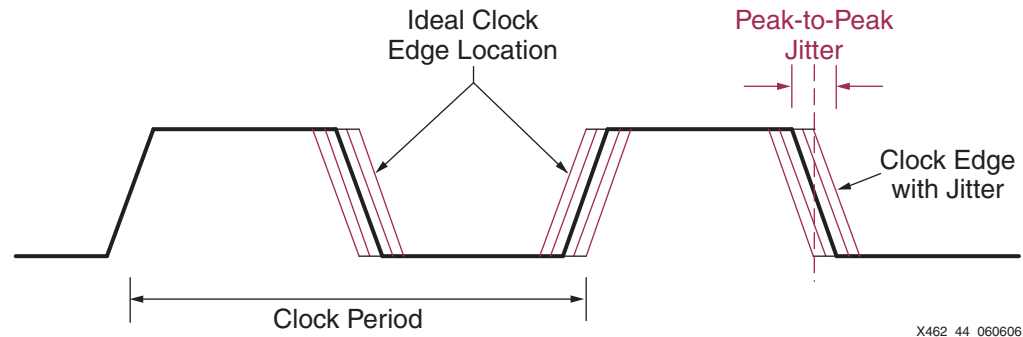


Figure 3-45: Jitter in Clock Signals

X462_44_060606

What Causes Clock Jitter?

Clock jitter is unavoidable and exists in all systems. Clock jitter is caused by the various sources of noise or by signal imperfections within the system. In fact, jitter is the manifestation of noise in the time domain. The incoming clock source, for example, has its own jitter characteristics due to random thermal or mechanical vibration noise from the crystal. A large number of simultaneous switching outputs (SSOs) adds substrate noise that slightly changes internal switching thresholds and therefore adds jitter. Similarly, an improperly designed power supply or insufficient decoupling also contributes to jitter. Other sources of clock jitter include cross talk from adjacent signals, poor termination, ground bounce, and electromagnetic interference (EMI).

This chapter only discusses the jitter behavior of Spartan-3 Digital Clock Managers (DCMs) and how to improve overall jitter performance within the FPGA.

Understanding Clock Jitter Specifications

Clock jitter is specified in a variety of manners, and the various specifications show different aspects of the same phenomenon.

Cycle-to-Cycle Jitter

Cycle-to-cycle jitter, also called adjacent cycle jitter, indicates the maximum clock period variance from one clock cycle to the next, as shown in Figure 3-46. In this simple example, the maximum change from one cycle to the next is +100 ps and -100 ps, or put simply, ± 100 ps. Although the clock period can change by larger absolute amounts when measured over millions of clock cycles, the clock period never changes by more than ± 100 ps from one clock cycle to the next.

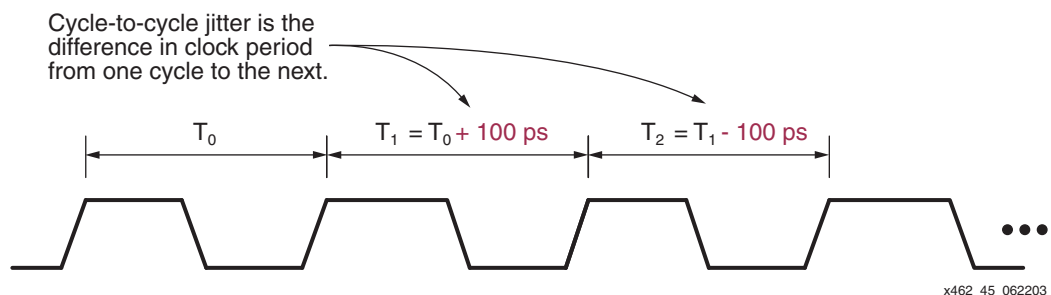


Figure 3-46: Cycle-to-Cycle Jitter Example

x462_45_062203

Cycle-to-cycle is an important measure of the quality of a clock output or oscillator but has little use in analyzing the timing of an application.

Period Jitter

Period jitter is the summation of all the cycle-to-cycle jitter values over millions of clock cycles. Peak jitter indicates the earliest and the latest transition times compared to the ideal clock transition time over consecutive clocks.

Period jitter for Digital Clock Managers is random and is expressed as peak-to-peak jitter. Conceptually, the position of the clock transition is a probabilistic distribution or histogram, centered around the ideal, desired clock position, as shown in Figure 3-47. The actual distribution might not appear purely Gaussian and can be bimodal. Regardless, most actual clock transitions occur near the desired ideal position. However, measured over millions of clock cycles, some clock transitions occur far from the desired position.

The statistical distance from the desired position is measured in standard deviations, also called σ (sigma). Because the DCM is an all-digital design, it is highly stable and Xilinx specifies jitter deviation to $\pm 7\sigma$ or peak-to-peak jitter to 14σ . As a point of reference, $\pm 7\sigma$ guarantees that 99.999999974% of the jitter values are less than the specified worst-case jitter value. A 14σ peak-to-peak jitter, $\pm 7\sigma$ jitter deviation, equates to a maximum bit error rate (BER) of 1.28×10^{-12} .

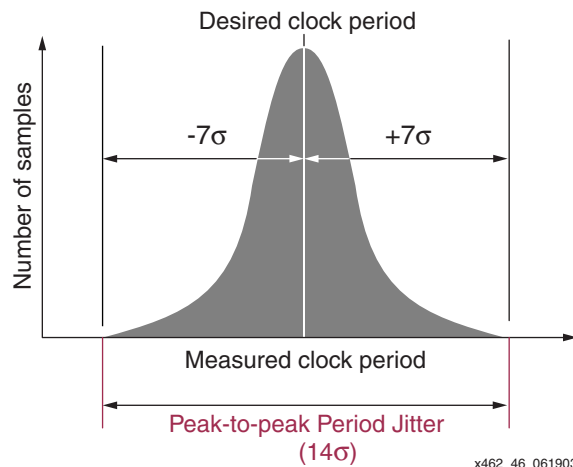


Figure 3-47: Peak-to-Peak Period Jitter Example

Unit Interval (UI)

Another method to specify jitter is as a fraction of the Unit Interval (UI). One UI represents the time equivalent to one bit time, irrespective of frequency. In single-data rate (SDR) applications where either the rising or the falling clock edge captures data, one UI equals one clock period. In dual-data rate (DDR) applications where data is clocked at twice the clock rate, one UI equals half the clock period.

The peak-to-peak jitter amplitude, quantified in UIs, is the fraction of the peak-to-peak jitter value compared to the total bit period time.

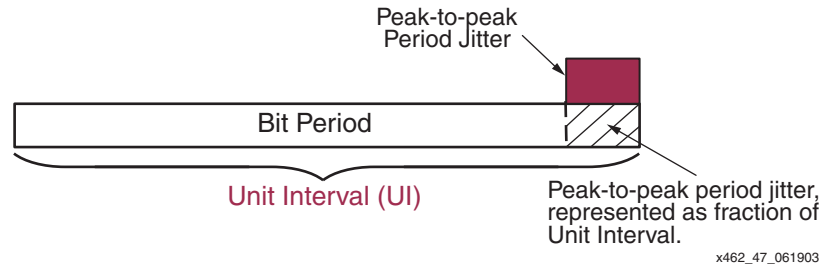


Figure 3-48: Period Jitter Specified as a Fraction of a Unit Interval

Calculating Total Jitter

The FPGA family data sheet specifies the output jitter from the DCM clock outputs, except for the CLKFX/CLKFX180 outputs, which sometime use a separate jitter calculator. The DFS jitter is calculated based on the multiplier and divider settings.

The clock outputs from the DLL unit—i.e., every clock output except CLKFX and CLKFX180—have a worst-case specified jitter listed in the data sheet. This specified value includes the jitter added by the DLL unit. The DLL unit does not remove jitter, so the total jitter on the DLL clock output includes the jitter on the input clock, CLKIN, plus the specified value from the data sheet.

The DFS clock outputs, CLKFX and CLKFX180, remove some amount of incoming clock jitter, so the calculated output jitter is the total jitter.

Adding Input Jitter to DLL Output Jitter

When adding the input jitter and the DLL output jitter, use a root-mean-square (RMS) calculation, similar to noise calculations.

Peak-to-Peak

$$JITTER_{PK-PK} = \sqrt{(JITTER_{INPUT})^2 + (JITTER_{SPEC})^2} \quad \text{Equation 3-12}$$

Peak-to-Peak Deviation

$$JITTER_{PK} = \pm \left[\frac{\sqrt{(JITTER_{INPUT})^2 + (JITTER_{SPEC})^2}}{2} \right] \quad \text{Equation 3-13}$$

where

$JITTER_{INPUT}$ = The input period jitter, measured at the clock input pin of the FPGA

$JITTER_{SPEC}$ = The DLL clock output period jitter, as specified in the FPGA family data sheet for the associated output port

Example

Assume that an input clock has 150 ps peak-to-peak period jitter, optionally expressed as ± 75 ps. The incoming clock is duty-cycle corrected, using the same frequency, on the CLK0 DCM output.

In this case, $JITTER_{INPUT} = 150$ ps. The value for $JITTER_{SPEC}$ is the Spartan-3 Data Sheet specification called $CLKOUT_JITT_PER_0$, which is estimated here as ± 100 ps, or 200 ps peak-to-peak.

$$JITTER_{PK-PK} = \sqrt{(150 \text{ ps})^2 + (200 \text{ ps})^2} = 250 \text{ ps} \quad \text{Equation 3-14}$$

Consequently, the total jitter on the DCM output is 250 ps peak-to-peak or ± 125 ps.

Calculating Jitter for Cascaded DCMs

Figure 3-49 shows an example application where multiple DCMs are cascaded together to create various output frequencies. The jitter at any point depends on:

- the incoming jitter from the previous sources and
- which DCM output is used.

Each DCM output has slightly different jitter characteristics, as specified in the data sheet. Also, the [CLKFX](#) and [CLKFX180](#) outputs from the DFS unit remove some amount of input jitter and Clocking Wizard calculates their jitter values (see “[Clock Frequency Synthesizer](#)”).

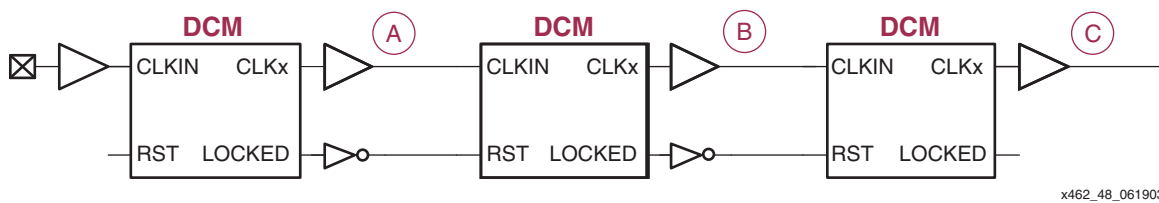


Figure 3-49: Calculating Jitter for Cascaded DCMs Depends on which DCM Outputs are Used

Consequently, the jitter at any point in the cascaded DCM chain depends on the factors described above. The following examples illustrate how to calculate total jitter at the various points in the circuit.

Example 1: All DCMs Use DLL Outputs

In this example, assume that all the FPGAs are from the Spartan-3 family and that the input clock has 150 ps (± 75 ps) of period jitter.

Assume that DCM (A) uses the $CLK2X$ output. Use the *Spartan-3 Data Sheet* specification called $CLKOUT_PER_JITT_2X$ for the DCM output jitter, estimated here as 400 ps (± 200 ps). Calculate the total period jitter on clock (A) using [Equation 3-12](#).

$$JITTER_{PK-PK(A)} = \sqrt{(150 \text{ ps})^2 + (400 \text{ ps})^2} = 427 \text{ ps} = \pm 214 \text{ ps} \quad \text{Equation 3-15}$$

Assume that DCM (B) uses the $CLKDV$ output with an integer divider value. Use the *Spartan-3 Data Sheet* specification called $CLKOUT_PER_JITT_DV1$ for the DCM output jitter, estimated here as 300 ps (± 150 ps). Calculate the total period jitter on clock (B) using [Equation 3-12](#). Because there are now three elements involved—the input jitter, the jitter from DCM (A), and the jitter from DCM (B)—expand the RMS equation appropriately.

$$JITTER_{PK-PK(B)} = \sqrt{(150 \text{ ps})^2 + (400 \text{ ps})^2 + (300 \text{ ps})^2} = 522 \text{ ps} = \pm 261 \text{ ps} \quad \text{Equation 3-16}$$

Finally, assume that DCM (C) phase shifts the output from DCM (B) by 90°. Use the *Spartan-3 Data Sheet* specification called CLKOUT_PER_JITT_90 for the DCM output jitter, estimated here as 300 ps (± 150 ps). Calculate the total period jitter on clock (C) using [Equation 3-12](#). Because there are now four elements involved—the input jitter, the jitter from DCM (A), the jitter from DCM (B), and the jitter from DCM (C)—expand the RMS equation appropriately.

$$\begin{aligned} JITTER_{PK-PK(C)} &= \sqrt{(150ps)^2 + (400ps)^2 + (300ps)^2 + (300ps)^2} && \text{Equation 3-17} \\ &= 602ps = \pm 301ps \end{aligned}$$

Example 2: Some DCMs Use the CLKFX or CLKFX180 Outputs

This example is similar to [Example 1: All DCMs Use DLL Outputs](#) above except that some DCMs use the CLKFX or CLKFX180 outputs from the DCM's DFS unit.

In this example, assume that the 75 MHz input clock has 150 ps (± 75 ps) of period jitter.

As in Example 1, assume again that DCM (A) uses the CLK2X output. The resulting output jitter is the same as that shown in the following equation.

In this example, assume that DCM (B) synthesizes a 90 MHz clock using the 150 MHz clock generated by DCM (A). Per the Clocking Wizard (see "[Clock Frequency Synthesizer](#)"), set the attributes CLKFX_MULTIPLY = 3 and CLKFX_DIVIDE = 5. Clocking Wizard also specifies the worst-case output period jitter as 700 ps.

$$JITTER_{PK-PK(B)} = 700ps = \pm 350ps \quad \text{Equation 3-18}$$

Finally, assume again that DCM (C) phase shifts the output from DCM (B) by 90°. Use the *Spartan-3 Data Sheet* specification called CLKOUT_PER_JITT_90 for the DCM output jitter, estimated here as 300 ps (± 150 ps). Calculate the total period jitter on clock (C) using the following equation. Because the preceding DCM used the CLKFX output, the total incoming jitter is set at 700 ps, worst-case. Use the RMS equation to calculate the resulting output jitter as shown below.

$$JITTER_{PK-PK(C)} = \sqrt{(700ps)^2 + (300ps)^2} = 762ps = \pm 381ps \quad \text{Equation 3-19}$$

Cascaded DCM Design Recommendations

When cascading DCMs, be sure that the LOCKED output of the preceding DCM controls the cascaded DCM's RST input, as shown in [Figure 3-49](#). The cascaded DCM should not attempt to lock to the input clock until the preceding DCM asserts its LOCKED output, indicating that the clock is stable.

When cascading DCMs, place the most jitter-critical clock output on the first DCM in the cascaded chain.

Jitter Effect on System Performance

Clock jitter, along with other effects, adversely affects system performance by reducing the effective bit period. The bit period available to the FPGA application is the total bit period, T_{BIT} , minus the following effects, as shown in the following equation. In single-data rate

(SDR) applications, the clock period and the bit period are equal. However, in dual-data-rate (DDR) applications, the bit period is half the clock period.

$$T_{AVAILABLE} = T_{BIT} - t_{TOTAL_JITTER} - t_{DUTY_CYCLE_DISTORTION} \quad \text{Equation 3-20}$$

where

T_{BIT} = Bit period time

t_{TOTAL_JITTER} = Total clock jitter. Includes the clock input jitter plus any DCM output jitter or cascaded DCM output jitter.

$t_{DUTY_CYCLE_DISTORTION}$ = Duty cycle distortion specification. Only required for dual-data rate (DDR) applications; otherwise zero. Either data sheet specification CLKOUT_DUTY_CYCLE_DLL or CLKOUT_DUTY_CYCLE_FX depending on which DCM clock output is used.

If the total jitter is specified as a positive value instead of a deviation from the clock period—e.g., 200 ps instead of ± 100 ps—subtract half the positive value—i.e., 100 ps. The bit period is only shortened by the negative deviation. The positive deviation adds to the bit period, adding more timing slack.

Example

Assume that an incoming clock signal enters the FPGA at 75 MHz and that the clock source has ± 100 ps of jitter. The application clocks data on the rising edge of an internally generated 150 MHz clock, or a total bit period, T_{BIT} , of 6.67 ns. How long is the available bit period, $T_{AVAILABLE}$, after considering the effects of jitter?

The CLK2X output from the Clock Doubler generates a 150 MHz clock from the 75 MHz clock input. The Clock Doubler output, CLK2X, has ± 200 ps of worst-case jitter according to the CLKOUT_PER_JITT_2X specification in the *Spartan-3 Data Sheet*. Adding the DCM's ± 200 ps of jitter to the clock source's ± 100 ps of jitter using root-mean square (RMS), the total jitter, t_{TOTAL_JITTER} , is ± 0.223 ns.

$$t_{TOTAL_JITTER} = \sqrt{(\pm 100\text{ps})^2 + (\pm 200\text{ps})^2} = \pm 223.60\text{ps} = \pm 0.223\text{ns} \quad \text{Equation 3-21}$$

Because data is only clocked on the rising clock edge, there are no duty-cycle distortion effects and $t_{DUTY_CYCLE_DISTORTION} = 0$.

Therefore, the total available clock period, $T_{AVAILABLE}$ is reduced down to 6.444 ns from a total bit period of 6.667 ns. Effectively, this forces the logic to operate at 155.1831 MHz instead of 150 MHz.

$$T_{AVAILABLE} = 6.667\text{ns} - 0.223\text{ns} = 6.444\text{ns} \quad \text{Equation 3-22}$$

Recommended Design Practices to Minimize Clock Jitter

In higher-performance applications, clock jitter steals valuable bit period time. Adhere to the following recommendations to minimize the amount of system-wide clock jitter.

Properly Design the Power Distribution System

A properly designed power distribution system (PDS), including proper power-plane decoupling, reduces system jitter by creating a stable power environment. Application note XAPP623 discusses recommended design practices for PDS design.

- XAPP623: *Power Distribution System (PDS) Design: Using Bypass/Decoupling Capacitors*
http://www.xilinx.com/support/documentation/application_notes/xapp623.pdf

Properly Design the Printed Circuit Board

Design the printed circuit board for expected operating frequency range and application environment.

- WP174: *Methodologies for Efficient FPGA Integration into PCBs*
http://www.xilinx.com/support/documentation/white_papers/wp174.pdf
- PCB Checklist
www.xilinx.com/products/design_resources/signal_integrity/si_pcbcheck.htm

Obey Simultaneous Switching Output (SSO) Recommendations

To avoid signal-related corruption of clock inputs to or clock outputs from a DCM, be sure to follow the Simultaneous Switching Output (SSO) recommendations outlined in the associated FPGA family data sheet.

Whenever possible, avoid placing DCM inputs or outputs near heavily switching I/Os, especially those with large output voltage swings or with high current drive.

Optionally Place Virtual Ground Pins Around DCM Input and Output Connections

On sensitive, high frequency DCM inputs or outputs, use additional user-I/O pins to create extra connections to the PCB ground—i.e., create virtual ground pins. Place these virtual ground pins on the I/O pads adjacent to the sensitive DCM signal. Make sure that the I/O pads are on adjacent pads on the FPGA die level, not just on adjacent pins or balls on the package. Adjacent balls on BGA packages do not necessarily connect to adjacent pads on the FPGA. These techniques reduce the internal voltage drop and improve the jitter.

To create a “virtual ground”, configure an IOB as a high-drive output driving GND (Low logic level) and connect the IOB externally directly to the ground plane, as shown in [Figure 3-50](#).

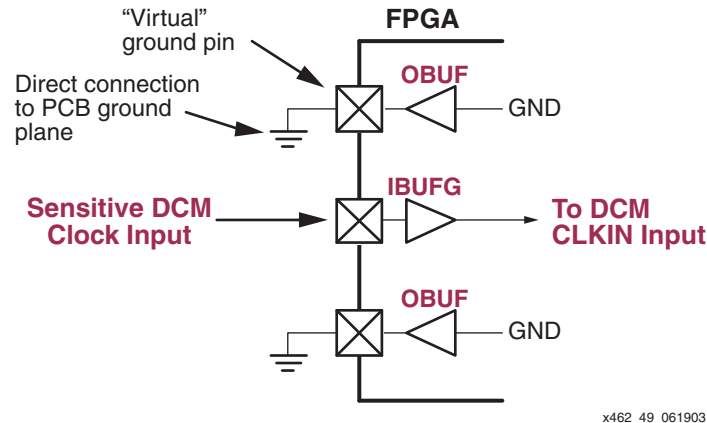


Figure 3-50: Place Virtual Ground Pins Adjacent to Sensitive DCM Input or Output Clock Signals

The same technique can be used to provide a virtual VCC rail connection. Turning I/O into virtual GND or virtual VCC can not only help with sensitive signals, but also help with pin migration. For more information on virtual grounds, see white paper [WP323: Signal Integrity Tips and Tricks](#).

V_{CCAUX} Considerations for Improving Jitter Performance

The Digital Clock Managers are powered by the V_{CCAUX} supply input. Any excessive noise on the V_{CCAUX} supply input to the FPGA adversely affects the DCM's characteristics, especially its jitter performance. For best DCM performance, please follow these recommendations.

Caution! Spartan-3A/3A DSP FPGAs optionally support $V_{CCAUX} = 3.3V$, making it possible to eliminate the 2.5V supply rail in a 3.3-volt only application. Isolate the V_{CCAUX} inputs from possible switching noise originating from the 3.3V supply connected to V_{CCO} inputs. Spartan-3AN FPGAs require $V_{CCAUX} = 3.3V$.

1. Limit changes on the V_{CCAUX} power supply or ground potentials to less than 10 mV total or 10 mV in any 1 ms interval, as shown in [Figure 3-51](#). This recommendation allows the DCM to properly track out the change.
2. Limit the noise at the power supply to be within 200 mV peak-to-peak, as shown in [Figure 3-51](#).

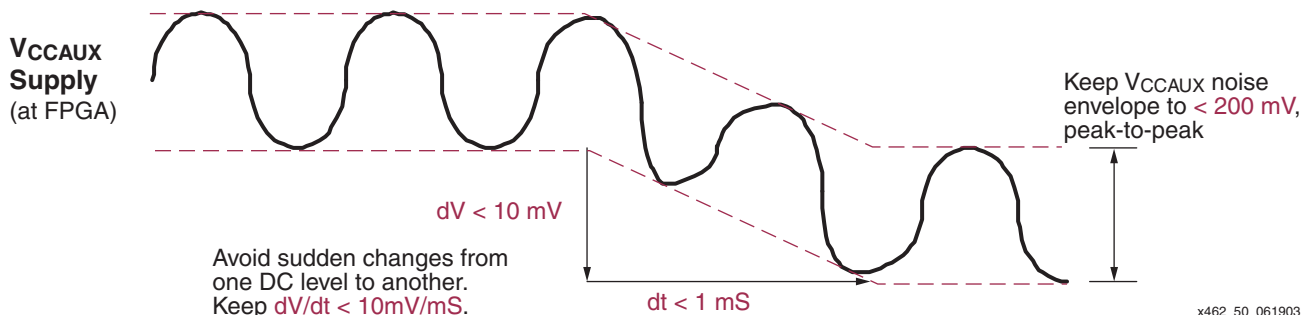


Figure 3-51: Recommended V_{CCAUX} Supply Considerations Avoid Voltage Droop

3. If V_{CCAUX} and V_{CCO} are of the same power plane, every V_{CCAUX}/V_{CCO} pin must be properly decoupled or bypassed (see [“Properly Design the Power Distribution](#)

System”). Separate the V_{CCAUX} supply from any V_{CCO} supplies if Guidelines 1 and 2 above cannot be maintained.

4. The CLK2X output is especially affected by the power or ground shift. Consequently, the CLKFX output, using `CLKFX_MULTIPLY = 2` and `CLKFX_DIVIDE = 1`, might provide a better quality output when all IOBs and CLBs are switching. The CLKFX circuitry updates the tap every three input clocks in the DFS mode, as opposed to the slower update rate for the CLK2X output.

Adjusting FACTORY_JF Setting (Spartan-3 FPGA Family Only)

Caution! The `FACTORY_JF` attribute only applies for the Spartan-3 FPGA family, not to Spartan-3E or Spartan-3A/3AN/3A DSP FPGAs.

A well-designed, stable, properly decoupled power supply is the best overall solution to reducing clock skew and jitter within the FPGA. However, increasing the `FACTORY_JF` attribute setting to `0xFFFF` might improve jitter performance on a problem board. When `FACTORY_JF = FFFF`, the DCM updates its tap settings approximately every twenty input clocks. The frequency-based default settings update the tap settings much more slowly.

Increasing the `FACTORY_JF` setting might introduce a small amount of jitter (~30 ps) because the DCM frequently updates its delay line, which is why `FACTORY_JF` is not set to the maximum value by default. If the power supply is unstable, the phase error introduced can be much bigger than the extra jitter introduced; therefore, increasing the `FACTORY_JF` setting might improve the design.

Miscellaneous Advanced Topics

Bitstream Generation Settings

There are two bitstream generation (BitGen) options related to the DCM. Also see [UG332: Spartan-3 Generation Configuration User Guide](#) for more information.

- **-g lck_cycle:** This option causes the FPGA configuration startup sequence to wait until all instantiated DCMs assert their LOCKED outputs.
- **-g DCMSHUTDOWN:** This option resets the DCM logic if the "SHUTDOWN" configuration command is loaded into the configuration logic, as during either partial reconfiguration or during full reconfiguration via the JTAG port.

Setting Bitstream Generation Options in Project Navigator

If using the ISE Project Navigator graphical interface, set the bitstream generation options by right-mouse clicking **Generate Programming File** in the Processes for Current Source panel, as shown in [Figure 3-52](#). Select **Properties** from the resulting menu.

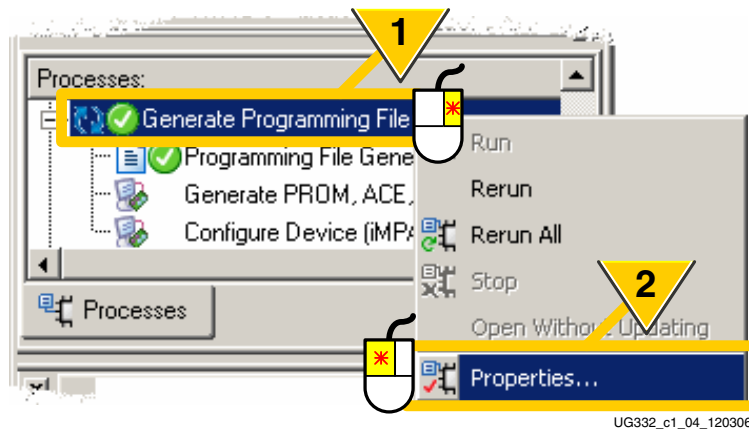


Figure 3-52: Setting Bitstream Generator (BitGen) Options within Project Navigator

See the "Configuration Bitstream Generator (BitGen) Settings" chapter in [UG332: Spartan-3 Generation Configuration User Guide](#) for more information.

Setting Bitstream Generation Options via Command Line or Script

To see the available options, type the following in a command window:

```
bitgen -help spartan3 (or spartan3e or spartan3a)
```

Setting Configuration Logic to Wait for DCM LOCKED Output

The DCM's STARTUP_WAIT attribute signals the FPGA's configuration start-up logic to wait for the DCM to assert its LOCKED output before the FPGA asserts its DONE output. Two actions are required at design time, however. First, set the STARTUP_WAIT attribute to TRUE on each of the DCMs that must be locked before configuration completes. Then, modify the bitstream generation options so that the events shown in [Figure 3-53](#) happen within the six-clock Startup cycle. Sufficient configuration clock cycles must be provided after the DCM locks to allow the device to complete the configuration start-up sequence.

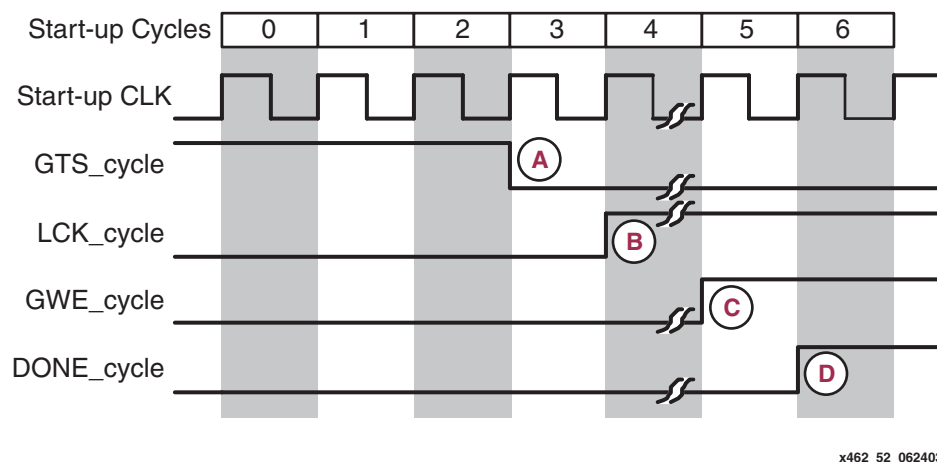
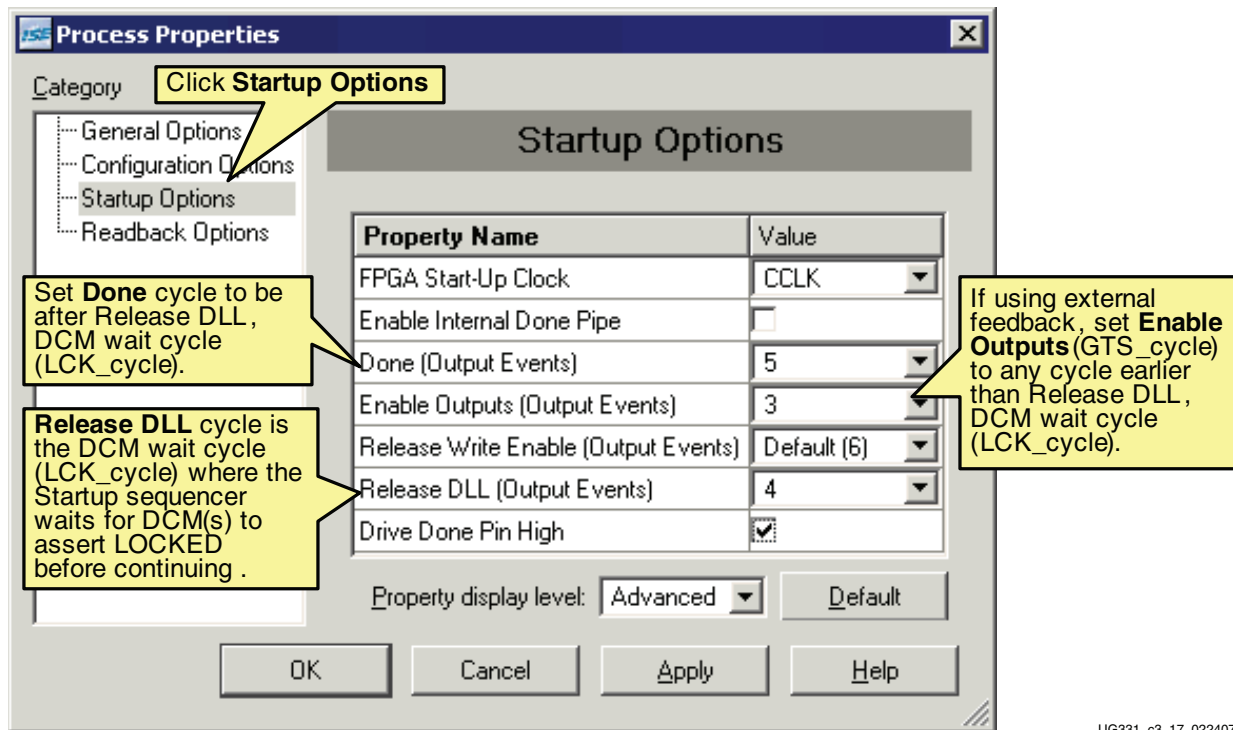


Figure 3-53: Start-up Logic Interaction with DCM LOCKED Output

- If using External Feedback, release the FPGA's internal Global Three-State (GTS_cycle) signal, enabling all I/O signals.

- b. Set the cycle where the start-up logic waits for the DCM(s) to assert LOCKED after the GTS_cycle. The DCMs require some form of external input—a clock and possibly a feedback signal—before the DCM can lock on the clock signal.
- c. After achieving valid DCM lock, assert the FPGA's internal Global Write Enable (GWE_cycle) signal.
- d. Finally, assert the DONE signal.

Figure 3-54 shows these same option settings from within Project Navigator.



UG331_c3_17_022407

Figure 3-54: Startup Sequencer Options

The specific start-up phase timing and the timing of both the GWE_cycle and DONE_cycle are flexible. However, if using the STARTUP_WAIT attribute on a DCM, the GTS_cycle must always happen before the LCK_cycle. Otherwise, the DCM never locks and configuration never completes! Similarly, if using External Feedback, the FPGA's outputs must first be enabled (GTS_cycle) so that the external feedback signal can propagate back to the DCM.

Reset DCM During Partial Reconfiguration or During Full Reconfiguration via JTAG

Another bitstream option resets all the DCMs in the FPGA application during reconfiguration via the SelectMAP interface or during full or partial reconfiguration via the JTAG port. If the option is enabled, the DCMs are reset when the AGHIGH configuration command is issued during the SHUTDOWN command sequence. It is imperative to reset the DCMs when reconfiguring through JTAG. Change the bitstream generator options in Project Navigator (see "Setting Bitstream Generation Options in Project Navigator"). Click **Configuration options**, then check the **Reset DCM if SHUTDOWN & AGHIGH performed** option as shown in Figure 3-55.

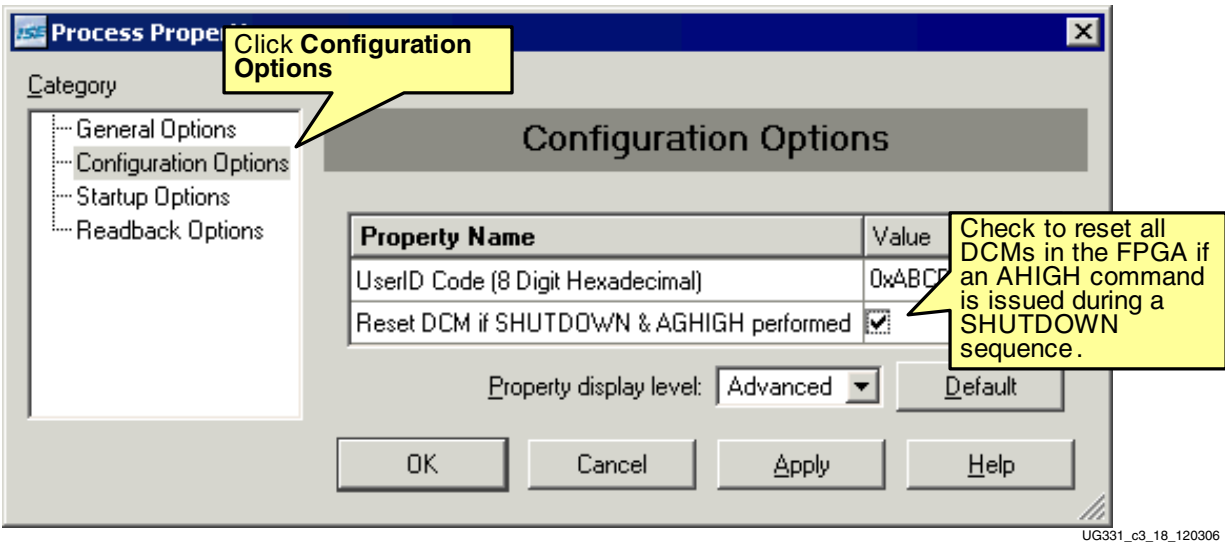


Figure 3-55: Configuration Option Allows DCM Reset During Reconfiguration Process

Momentarily Stopping CLKIN

To reduce overall system noise while taking precision analog measurements, it is possible to momentarily stop the clock inputs to the DCM without adversely affecting the remainder of the FPGA application. This is possible, in part, because the DCM is an all-digital, stable system. The DCM must first lock to the input clock and assert the LOCKED output. If the DCM is not reset, it is possible to momentarily stop the CLKIN input clock with little impact to the deskew circuit, provided that these guidelines are followed:

- The clock must not be stopped for more than 100 ms to minimize the effect of device cooling, which would change the tap delays.
- The clock should be stopped during a Low phase, and when restored, must generate a full High half-period.

Although the above conditions do technically violate the clock input jitter specifications, the DCM LOCKED output stays High and remains High when the clock is restored. Consequently, the High on LOCKED does not necessarily mean that a valid clock is available. The above conditions technically do violate the clock input jitter specifications but work within the limits described above.

When CLKIN is stopped, an additional one to eight output clock cycles are still generated as the DCM's digital delay line is flushed. Similarly, once CLKIN is restarted, output clocks are not generated for one to four clocks cycles as the delay line is filled. The delay line usually fills within two or three clocks.

Likewise, it is also possible to phase shift the input clock. This phase shift propagates to the output one to four clocks after the original shift with no disruption to the DCM control.

Figure 3-56 shows an example where the CLKIN input clock is momentarily stopped. The figure also illustrates the corresponding effect on the CLK2X clock output.

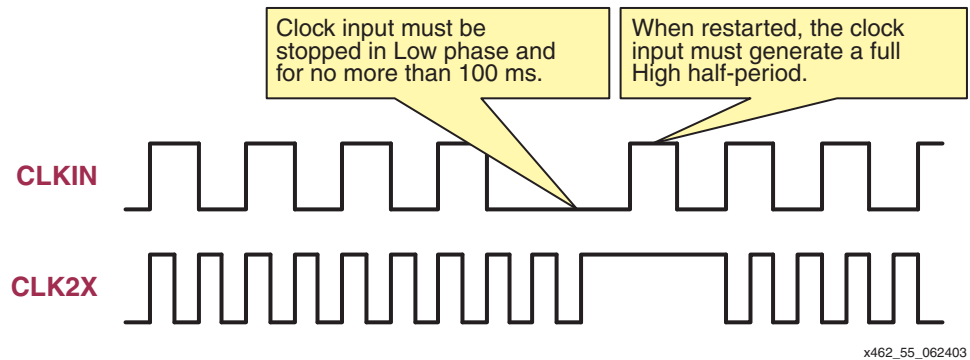


Figure 3-56: Momentarily Stopping CLKIN Clock Input

x462_55_062403

Related Materials and References

- **DS099: Spartan-3 FPGA Family Data Sheet**
DCM description and specifications.
http://www.xilinx.com/support/documentation/data_sheets/ds099.pdf
- **DS312: Spartan-3E FPGA Family Data Sheet**
DCM specifications.
http://www.xilinx.com/support/documentation/data_sheets/ds312.pdf
- **DS529: Spartan-3A FPGA Family Data Sheet**
DCM specifications.
http://www.xilinx.com/support/documentation/data_sheets/ds529.pdf
- **DS557: Spartan-3AN FPGA Family Data Sheet**
DCM specifications.
http://www.xilinx.com/support/documentation/data_sheets/ds557.pdf
- **DS610: Spartan-3A DSP FPGA Family Data Sheet**
DCM specifications.
http://www.xilinx.com/support/documentation/data_sheets/ds610.pdf
- **Spartan-3A/3AN/3A DSP CLKFX Jitter Calculator**
Excel file to calculate DFS output jitter based on input and output clock frequencies.
http://www.xilinx.com/support/documentation/data_sheets/s3a_jitter_calc.zip
- **Libraries Guide** (DCM primitive description) and **Development System Reference Guide** (BitGen bitstream generation program and options)
http://www.xilinx.com/support/software_manuals.htm
- **XAPP259: System Interface Timing Parameters**
http://www.xilinx.com/support/documentation/application_notes/xapp259.pdf
- **XAPP268: Dynamic Phase Alignment**
http://www.xilinx.com/support/documentation/application_notes/xapp268.pdf
- **XAPP485: 1:7 Deserialization in Spartan-3E/3A FPGAs at Speeds Up to 666 Mbps**
http://www.xilinx.com/support/documentation/application_notes/xapp485.pdf
- **XAPP486: 7:1 Serialization in Spartan-3E FPGAs at Speeds Up to 666 Mbps**
http://www.xilinx.com/support/documentation/application_notes/xapp486.pdf
- **XAPP622: SDR LVDS Transmitter/Receiver**
http://www.xilinx.com/support/documentation/application_notes/xapp622.pdf

Using Configurable Logic Blocks (CLBs)

CLB Overview

The Configurable Logic Blocks (CLBs) constitute the main logic resource for implementing synchronous as well as combinatorial circuits. Each CLB contains four slices, and each slice contains two Look-Up Tables (LUTs) to implement logic and two dedicated storage elements that can be used as flip-flops or latches. The LUTs can be used as a 16x1 memory (RAM16) or as a 16-bit shift register (SRL16), and additional multiplexers and carry logic simplify wide logic and arithmetic functions. Most general-purpose logic in a design is automatically mapped to the slice resources in the CLBs. The details of the CLB resources are helpful when estimating the number of resources required for an application or when optimizing a design to the architecture.

CLB Array

The CLBs are arranged in a regular array of rows and columns as shown in [Figure 4-1](#). Each density varies by the number of rows and columns of CLBs (see [Table 4-1](#)).

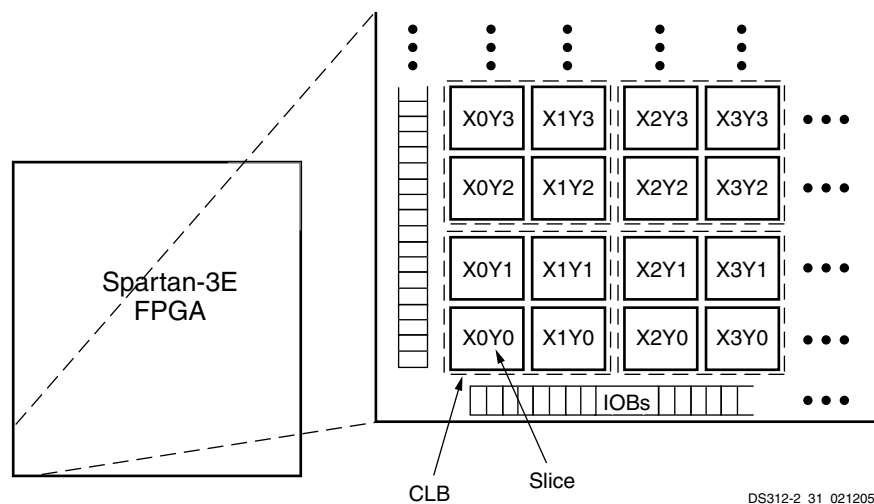


Figure 4-1: CLB Locations

Table 4-1: CLB Resources

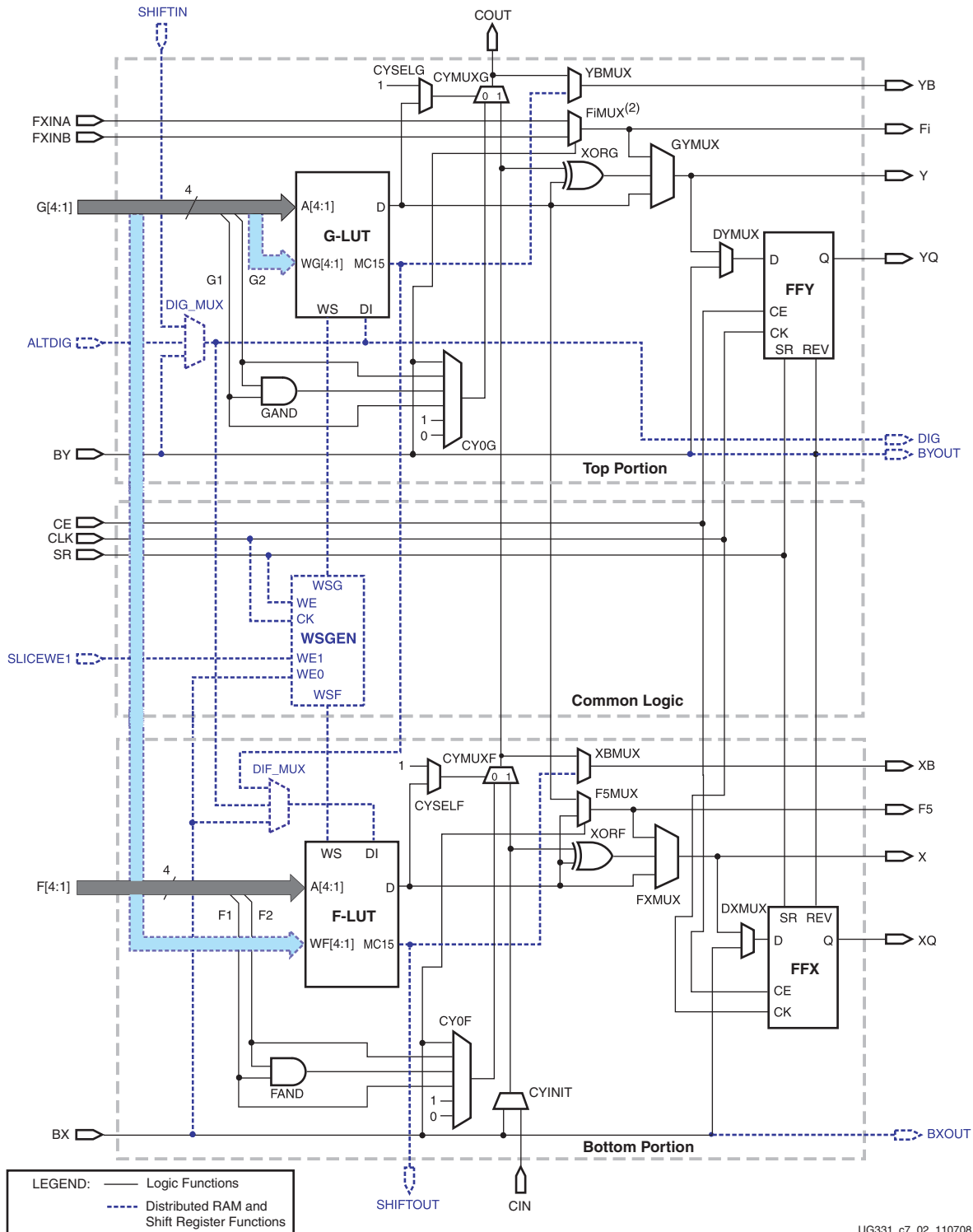
Device	CLB Rows	CLB Columns	CLB Total	Slices	LUTs / Flip-Flops	Equivalent Logic Cells	RAM16 / SRL16	Distributed RAM Bits
Spartan®-3A DSP CLB Resources								
XC3SD1800A	88	48	4,160	16,640	33,280	37,440	16,640	266,240
XC3SD3400A	104	58	5,968	23,872	47,744	53,712	23,872	381,952
Spartan-3A/3AN CLB Resources								
XC3S50A/AN	16	12	176	704	1,408	1,584	704	11,264
XC3S200A/AN	32	16	448	1,792	3,584	4,032	1,792	28,672
XC3S400A/AN	40	24	896	3,584	7,168	8,064	3,584	57,344
XC3S700A/AN	48	32	1,472	5,888	11,776	13,248	5,888	94,208
XC3S1400A/AN	72	40	2,816	11,264	22,528	25,344	11,264	180,224
Spartan-3E CLB Resources								
XC3S100E	22	16	240	960	1,920	2,160	960	15,360
XC3S250E	34	26	612	2,448	4,896	5,508	2,448	39,168
XC3S500E	46	34	1,164	4,656	9,312	10,476	4,656	74,496
XC3S1200E	60	46	2,168	8,672	17,344	19,512	8,672	138,752
XC3S1600E	76	58	3,688	14,752	29,504	33,192	14,752	236,032
Spartan-3 CLB Resources								
XC3S50	16	12	192	768	1,536	1,728	768	12,288
XC3S200	24	20	480	1,920	3,840	4,320	1,920	30,720
XC3S400	32	28	896	3,584	7,168	8,064	3,584	57,344
XC3S1000	48	40	1,920	7,680	15,360	17,280	7,680	122,880
XC3S1500	64	52	3,328	13,312	26,624	29,952	13,312	212,992
XC3S2000	80	64	5,120	20,480	40,960	46,080	20,480	327,680
XC3S4000	96	72	6,912	27,648	55,296	62,208	27,648	442,368
XC3S5000	104	80	8,320	33,280	66,560	74,880	33,280	532,480

CLB Differences between Spartan-3 Generation Families

Each CLB is identical within a family, and the CLBs are identical among all Spartan-3 generation families. The performance varies slightly between families due to minor variations in processing and characterization. The only difference between families is how the number of CLBs relates to the number of rows and columns. In the Spartan-3E and Extended Spartan-3A family, the number of CLBs is less than the multiple of the number of rows and columns. This difference is because in the Extended Spartan-3A family, the DCMs are embedded in the array, and in the Spartan-3E family, both the DCMs and the block RAM/multiplier blocks are embedded in the array. See Module 1 of the Spartan-3E, Spartan-3A, Spartan-3AN, and Spartan-3A DSP data sheets for a figure showing the array structure.

Slices

Each CLB comprises four interconnected slices, as shown in [Figure 4-3](#). These slices are grouped in pairs. Each pair is organized as a column with an independent carry chain. The left pair supports both logic and memory functions and its slices are called SLICEM. The right pair supports logic only and its slices are called SLICEL. Therefore half the LUTs support both logic and memory (including both RAM16 and SRL16 shift registers) while half support logic only, and the two types alternate throughout the array columns. The SLICEL reduces the size of the CLB and lowers the cost of the device, and can also provide a performance advantage over the SLICEM.



UG331_c7_02_110708

Notes:

- Options to invert signal polarity as well as other options that enable lines for various functions are not shown.
- The index *i* can be 6, 7, or 8, depending on the slice. The upper SLICEL has an F8MUX, and the upper SLICEM has an F7MUX. The lower SLICEL and SLICEM both have an F6MUX.

Figure 4-2: Simplified Diagram of the Left-Hand SLICEM

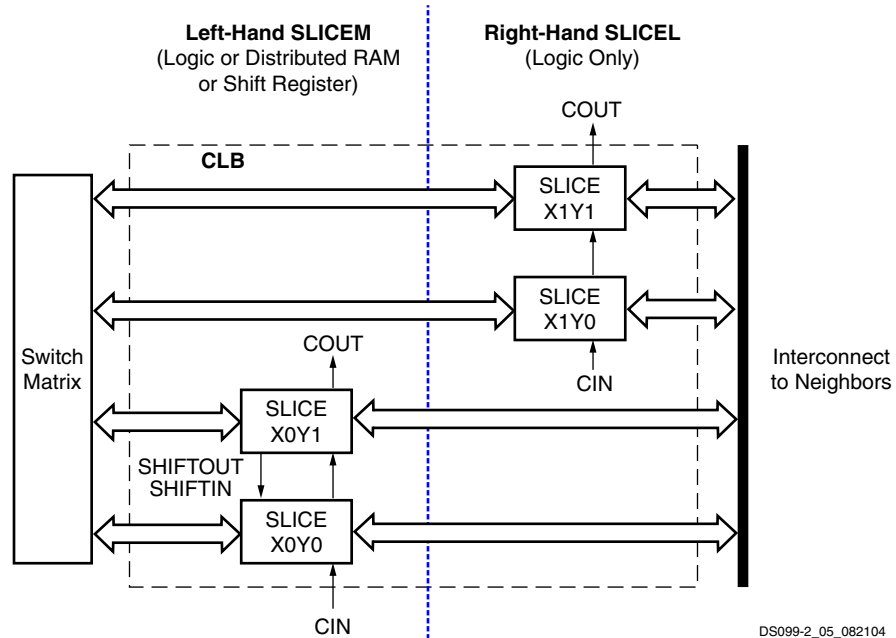


Figure 4-3: Arrangement of Slices within the CLB

Slice Location Designations

The Xilinx development software designates the location of a slice according to its X and Y coordinates, starting in the bottom left corner, as shown in Figure 4-1. The letter 'X' followed by a number identifies columns of slices, incrementing from the left side of the die to the right. The letter 'Y' followed by a number identifies the position of each slice in a pair as well as indicating the CLB row, incrementing from the bottom of the die. Figure 4-3 shows the CLB located in the lower left-hand corner of the die. The SLICEM always has an even 'X' number, and the SLICEL always has an odd 'X' number.

Slice Overview

A slice includes two LUT function generators and two storage elements, along with additional logic, as shown in Figure 4-4.

Both SLICEM and SLICEL have the following elements in common to provide logic, arithmetic, and ROM functions:

- Two 4-input LUT function generators, F and G
- Two storage elements
- Two wide-function multiplexers, F5MUX and FiMUX
- Carry and arithmetic logic

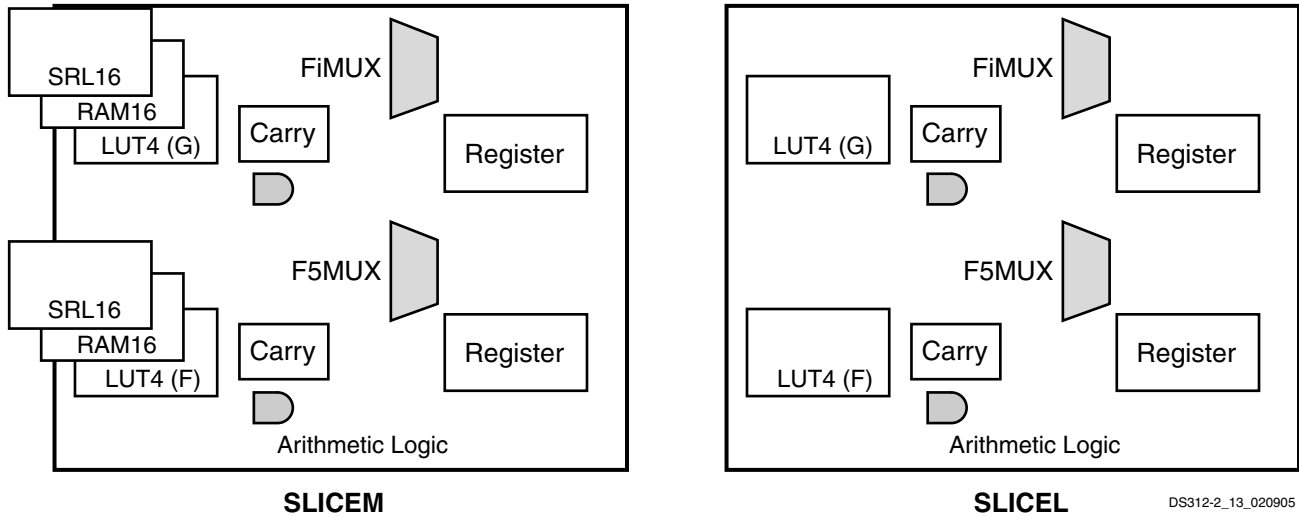


Figure 4-4: Resources in a Slice

The SLICEM pair supports two additional functions:

- Two 16x1 distributed RAM blocks, RAM16
- Two 16-bit shift registers, SRL16

Logic Cells

The combination of a LUT and a storage element is known as a “Logic Cell”. The additional features in a slice, such as the wide multiplexers, carry logic, and arithmetic gates, add to the capacity of a slice, implementing logic that would otherwise require additional LUTs. Benchmarks have shown that the overall slice is equivalent to 2.25 simple logic cells. This calculation provides the equivalent logic cell count shown in [Table 4-1](#).

Slice Details

[Figure 4-2](#) is a detailed diagram of the SLICEM. It represents a superset of the elements and connections to be found in all slices. The dashed and gray lines (blue when viewed in color) indicate the resources found only in the SLICEM and not in the SLICEL.

Each slice has two halves, which are differentiated as top and bottom to keep them distinct from the upper and lower slices in a CLB. The control inputs for the clock (CLK), Clock Enable (CE), Slice Write Enable (SLICEWE1), and Reset/Set (RS) are shared in common between the two halves.

The LUTs located in the top and bottom portions of the slice are referred to as “G” and “F”, respectively, or the “G-LUT” and the “F-LUT”. The storage elements in the top and bottom portions of the slice are called FFY and FFX, respectively.

Each slice has two multiplexers with F5MUX in the bottom portion of the slice and FiMUX in the top portion. Depending on the slice, the FiMUX takes on the name F6MUX, F7MUX, or F8MUX, according to its position in the multiplexer chain. The lower SLICEL and SLICEM both have an F6MUX. The upper SLICEM has an F7MUX, and the upper SLICEL has an F8MUX.

The carry chain enters the bottom of the slice as CIN and exits at the top as COUT. Five multiplexers control the chain: CYINIT, CY0F, and CYMUXF in the bottom portion and

CY0G and CYMUXG in the top portion. The dedicated arithmetic logic includes the exclusive-OR gates XORF and XORG (bottom and top portions of the slice, respectively) as well as the AND gates FAND and GAND (bottom and top portions, respectively).

See [Table 4-2](#) for a description of all the slice input and output signals.

Table 4-2: Slice Inputs and Outputs

Name	Location	Direction	Description
F[4:1]	SLICEL/M Bottom	Input	F-LUT and FAND inputs
G[4:1]	SLICEL/M Top	Input	G-LUT and GAND inputs or Write Address (SLICEM)
BX	SLICEL/M Bottom	Input	Bypass to or output (SLICEM) or storage element, or control input to F5MUX, input to carry logic, or data input to RAM (SLICEM)
BY	SLICEL/M Top	Input	Bypass to or output (SLICEM) or storage element, or control input to FiMUX, input to carry logic, or data input to RAM (SLICEM)
BXOUT	SLICEM Bottom	Output	BX bypass output
BYOUT	SLICEM Top	Output	BY bypass output
ALTDIG	SLICEM Top	Input	Alternate data input to RAM
DIG	SLICEM Top	Output	ALTDIG or SHIFTIN bypass output
SLICEWE1	SLICEM Common	Input	RAM Write Enable
F5	SLICEL/M Bottom	Output	Output from F5MUX; direct feedback to FiMUX
FXINA	SLICEL/M Top	Input	Input to FiMUX; direct feedback from F5MUX or another FiMUX
FXINB	SLICEL/M Top	Input	Input to FiMUX; direct feedback from F5MUX or another FiMUX
Fi	SLICEL/M Top	Output	Output from FiMUX; direct feedback to another FiMUX
CE	SLICEL/M Common	Input	FFX/Y Clock Enable
SR	SLICEL/M Common	Input	FFX/Y Set or Reset or RAM Write Enable (SLICEM)
CLK	SLICEL/M Common	Input	FFX/Y Clock or RAM Clock (SLICEM)
SHIFTIN	SLICEM Top	Input	Data input to G-LUT RAM
SHIFTOUT	SLICEM Bottom	Output	Shift data output from F-LUT RAM
CIN	SLICEL/M Bottom	Input	Carry chain input
COUT	SLICEL/M Top	Output	Carry chain output
X	SLICEL/M Bottom	Output	Combinatorial output
Y	SLICEL/M Top	Output	Combinatorial output
XB	SLICEL/M Bottom	Output	Combinatorial output from carry or F-LUT SRL16 (SLICEM)
YB	SLICEL/M Top	Output	Combinatorial output from carry or G-LUT SRL16 (SLICEM)
XQ	SLICEL/M Bottom	Output	FFX output
YQ	SLICEL/M Top	Output	FFY output

Main Logic Paths

Central to the operation of each slice are two nearly identical data paths at the top and bottom of the slice. The description that follows uses names associated with the bottom path. (The top path names appear in parentheses.) The basic path originates at an interconnect switch matrix outside the CLB. See [Chapter 12, “Using Interconnect,”](#) for more information on the switch matrix and the routing connections.

Four lines, F1 through F4 (or G1 through G4 on the upper path), enter the slice and connect directly to the LUT. Once inside the slice, the lower 4-bit path passes through a LUT ‘F’ (or ‘G’) that performs logic operations. The LUT Data output, ‘D’, offers five possible paths:

1. Exit the slice via line “X” (or “Y”) and return to interconnect.
2. Inside the slice, “X” (or “Y”) serves as an input to the DXMUX (or DYMUX) which feeds the data input, “D”, of the FFX (or FFY) storage element. The “Q” output of the storage element drives the line XQ (or YQ) which exits the slice.
3. Control the CYMUXF (or CYMUXG) multiplexer on the carry chain.
4. With the carry chain, serve as an input to the XORF (or XORG) exclusive-OR gate that performs arithmetic operations, producing a result on “X” (or “Y”).
5. Drive the multiplexer F5MUX to implement logic functions wider than four bits. The “D” outputs of both the F-LUT and G-LUT serve as data inputs to this multiplexer.

In addition to the main logic paths described above, there are two bypass paths that enter the slice as BX and BY. Once inside the FPGA, BX in the bottom half of the slice (or BY in the top half) can take any of several possible branches:

1. Bypass both the LUT and the storage element, and then exit the slice as BXOUT (or BYOUT) and return to interconnect.
2. Bypass the LUT, and then pass through a storage element via the D input before exiting as XQ (or YQ).
3. Control the wide function multiplexer F5MUX (or FiMUX).
4. Via multiplexers, serve as an input to the carry chain.
5. Drive the DI input of the LUT.
6. BY can control the REV inputs of both the FFY and FFX storage elements. See [“Storage Element Functions,”](#) page 324.
7. Finally, the DIG_MUX multiplexer can switch BY onto the DIG line, which exits the slice.

The control inputs CLK, CE, SR, BX, and BY have programmable polarity. The LUT inputs do not need programmable polarity because their function can be inverted inside the LUT.

The sections that follow provide more detail on individual functions of the slice.

Look-Up Tables

The Look-Up Table or LUT is a RAM-based function generator and is the main resource for implementing logic functions. Furthermore, the LUTs in each SLICEM pair can be configured as Distributed RAM or a 16-bit shift register, as described later.

Each of the two LUTs (F and G) in a slice have four logic inputs (A1-A4) and a single output (D). Any four-variable Boolean logic operation can be implemented in one LUT. Functions with more inputs can be implemented by cascading LUTs or by using the wide function multiplexers that are described later.

The output of the LUT can connect to the wide multiplexer logic, the carry and arithmetic logic, or directly to a CLB output or to the CLB storage element. See [Figure 4-5](#).

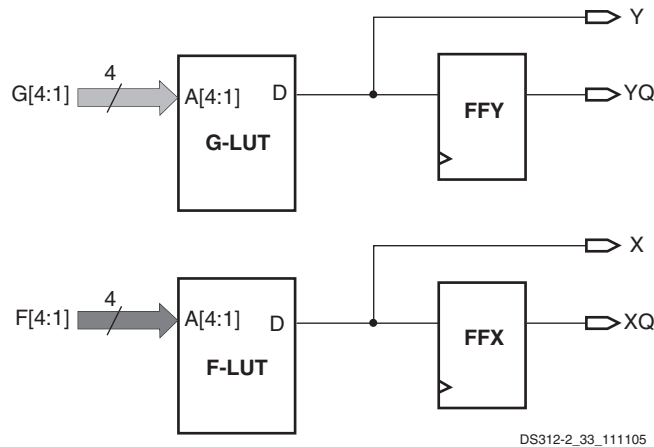


Figure 4-5: LUT Resources in a Slice

Wide Multiplexers

Wide-function multiplexers effectively combine LUTs in order to permit more complex logic operations. Each slice has two of these multiplexers with F5MUX in the bottom portion of the slice and FiMUX in the top portion. The F5MUX multiplexes the two LUTs in a slice. The FiMUX multiplexes two CLB inputs which connect directly to the F5MUX and FiMUX results from the same slice or from other slices. For more information on the wide multiplexers, see [Chapter 8, “Using Dedicated Multiplexers.”](#)

Carry and Arithmetic Logic

The carry chain, together with various dedicated arithmetic logic gates, support fast and efficient implementations of math operations. The carry logic is automatically used for most arithmetic functions in a design. The gates and multiplexers of the carry and arithmetic logic can also be used for general-purpose logic, including simple wide Boolean functions. For more information on the carry and arithmetic logic, see [Chapter 9, “Using Carry and Arithmetic Logic.”](#)

Storage Elements

The storage element, which is programmable as either a D-type flip-flop or a level-sensitive transparent latch, provides a means for synchronizing data to a clock signal, among other uses. The storage elements in the top and bottom portions of the slice are called FFY and FFX, respectively. FFY has a fixed multiplexer on the D input selecting either the combinatorial output Y or the bypass signal BY. FFX selects between the combinatorial output X or the bypass signal BX.

The functionality of a slice storage element is identical to that described earlier for the I/O storage elements. All signals have programmable polarity; the default active-High function is described.

Table 4-3: Storage Element Signals

Signal	Description
D	Input. For a flip-flop data on the D input is loaded when R and S (or CLR and PRE) are Low and CE is High during the Low-to-High clock transition. For a latch, Q reflects the D input while the gate (G) input and gate enable (GE) are High and R and S (or CLR and PRE) are Low. The data on the D input during the High-to-Low gate transition is stored in the latch. The data on the Q output of the latch remains unchanged as long as G or GE remains Low.
Q	Output. Toggles after the Low-to-High clock transition for a flip-flop and immediately for a latch.
C	Clock for edge-triggered flip-flops.
G	Gate for level-sensitive latches.
CE	Clock Enable for flip-flops.
GE	Gate Enable for latches.
S	Synchronous Set (Q = High). When the S input is High and R is Low, the flip-flop is set, output High, during the Low-to-High clock (C) transition. A latch output is immediately set, output High.
R	Synchronous Reset (Q = Low); has precedence over Set.
PRE	Asynchronous Preset (Q = High). When the PRE input is High and CLR is Low, the flip-flop is set, output High, during the Low-to-High clock (C) transition. A latch output is immediately set, output High.
CLR	Asynchronous Clear (Q = Low); has precedence over Preset to reset Q output Low
SR	CLB input for R, S, CLR, or PRE
REV	CLB input for opposite of SR. Must be asynchronous or synchronous to match SR.

The control inputs R, S, CE, and C are all shared between the two flip-flops in a slice.

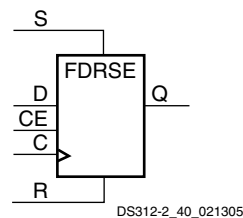


Figure 4-6: FD Flip-Flop Component with Synchronous Reset, Set, and Clock Enable

Table 4-4: FD Flip-Flop Functionality with Synchronous Reset, Set, and Clock Enable

Inputs					Outputs
R	S	CE	D	C	Q
1	X	X	X	↑	0
0	1	X	X	↑	1
0	0	0	X	X	No Change
0	0	1	1	↑	1
0	0	1	0	↑	0

Initialization

The CLB storage elements are initialized at power-up, during configuration, by the global GSR signal, and by the individual SR or REV inputs to the CLB. The storage elements can also be re-initialized using the GSR input on the STARTUP primitive. See [“Global Controls,” page 389](#).

Table 4-5: **Slice Storage Element Initialization**

Signal	Description
SR	Set/Reset input. Forces the storage element into the state specified by the attribute SRHIGH or SRLow. SRHIGH forces a logic “1” when SR is asserted. SRLow forces a logic “0”. For each slice, set and reset can be set to be synchronous or asynchronous.
REV	Reverse of Set/Reset input. A second input (BY) forces the storage element into the opposite state. The reset condition is predominant over the set condition if both are active. Same synchronous/asynchronous setting as for SR.
GSR	Global Set/Reset. GSR defaults to active High but can be inverted by adding an inverter in front of the GSR input of the STARTUP element. The initial state after configuration or GSR is defined by a separate INIT0 and INIT1 attribute. By default, setting the SRLow attribute sets INIT0, and setting the SRHIGH attribute sets INIT1.

Distributed RAM

The LUTs in the SLICEM can be programmed as distributed RAM. This type of memory affords moderate amounts of data buffering anywhere along a data path. One SLICEM LUT stores 16 bits (RAM16). For more information on the distributed RAM, see [Chapter 6, “Using Look-Up Tables as Distributed RAM.”](#)

Shift Registers

It is possible to program each SLICEM LUT as a 16-bit shift register. Used in this way, each LUT can delay serial data anywhere from 1 to 16 clock cycles without using any of the dedicated flip-flops. The resulting programmable delays can be used to balance the timing of data pipelines. For more information on the shift registers, see [Chapter 7, “Using Look-Up Tables as Shift Registers \(SRL16\).”](#)

Related Materials

The following documents provide supplementary information useful with this chapter:

- [WP272: Get Smart About Reset: Think Local, Not Global](#)
Applying a global reset to your FPGA designs is not a very good idea and should be avoided. This is a controversial issue, so this white paper looks at the reasons why such a design policy should be considered.
- [WP273: Performance + Time = Memory \(Cost Saving with 3-D Design\)](#)
Operating logic at a higher rate than the processing rate allows operations to be achieved sequentially. As with a processor, logic is timeshared over multiple clock cycles. Memory holds values not being used on a given clock cycle. The FPGA can be considered to be a three-dimensional volume to be filled. "Performance + Time =

Memory" is a strange formula, but when understood, it can often result in significantly lower cost implementations with Xilinx devices.

- [WP275: Get Your Priorities Right - Make Your Design up to 50% Smaller](#)
This white paper describes a rarely noticed design technique that can make a difference in the size and the performance of your FPGA design. Control signals on FPGA flip-flops have a built-in priority. If you can learn to write code that is sympathetic to the priorities, the results will be rewarding. This white paper provides some simple VHDL and Verilog examples to explain key points.

Using Block RAM

Summary

For applications requiring large, on-chip memories, Spartan®-3 generation FPGAs provide plentiful, efficient SelectRAM memory blocks. Using various configuration options, SelectRAM blocks create RAM, ROM, FIFOs, large look-up tables, data width converters, circular buffers, and shift registers, each supporting various data widths and depths. This chapter describes the features and capabilities of block SelectRAM and illustrates how to specify the various options using the Xilinx CORE Generator™ system or via VHDL or Verilog instantiation. Various non-obvious block RAM applications are discussed with references to additional tools, application notes, and documentation.

Introduction

All Spartan-3 generation FPGAs feature multiple block RAMs, organized in columns. The total amount of block RAM depends on the size of the Spartan-3 generation FPGA as shown in [Table 5-1](#).

Table 5-1: Block RAM Available in Spartan-3 Generation FPGAs

Family	Device	RAM Columns	RAM Blocks Per Column	Total RAM Blocks	Total RAM Bits	Total RAM Kbits
Extended Spartan-3A FPGAs	XC3SD1800A	4	20-22	84	1,548,288	1,512K
	XC3SD3400A	5	24-26	126	2,322,432	2,268K
	XC3S50A/AN	1	3	3	55,296	54K
	XC3S200A/AN	2	8	16	294,912	288K
	XC3S400A/AN	2	10	20	368,640	360K
	XC3S700A/AN	2	10	20	368,640	360K
	XC3S1400A/AN	2	16	32	589,824	576K
Spartan-3E FPGAs	XC3S100E	1	4	4	73,728	72K
	XC3S250E	2	6	12	221,184	216K
	XC3S500E	2	10	20	368,640	360K
	XC3S1200E	2	14	28	516,096	504K
	XC3S1600E	2	18	36	663,552	648K

Table 5-1: Block RAM Available in Spartan-3 Generation FPGAs (Continued)

Family	Device	RAM Columns	RAM Blocks Per Column	Total RAM Blocks	Total RAM Bits	Total RAM Kbits
Spartan-3 FPGAs	XC3S50	1	4	4	73,728	72K
	XC3S200	2	6	12	221,184	216K
	XC3S400	2	8	16	294,912	288K
	XC3S1000	2	12	24	442,368	432K
	XC3S1500	2	16	32	589,824	576K
	XC3S2000	2	20	40	737,280	720K
	XC3S4000	4	24	96	1,769,472	1,728K
	XC3S5000	4	26	104	1,916,928	1,872K

Notes:

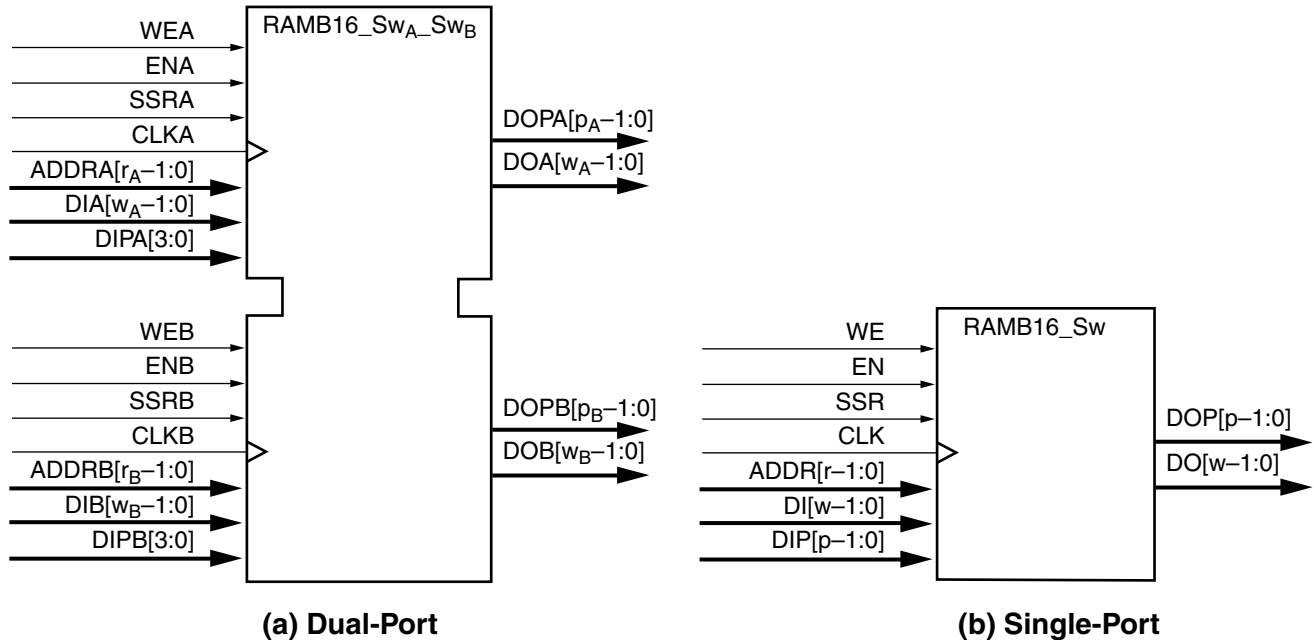
- 1Kbit = 1,024 bits, per memory conventions.

Each block RAM contains 18,432 bits of fast static RAM, 16K bits of which is allocated to data storage and, in some memory configurations, an additional 2K bits allocated to parity or additional "plus" data bits. Physically, the block RAM has two completely independent access ports, labeled Port A and Port B. The structure is fully symmetrical, and both ports are interchangeable and support data read and write operations. Each memory port is synchronous with its own clock, clock enable, and write enable. Read operations are also synchronous and require a clock edge and clock enable.

Though physically a dual-port memory, block RAM simulates single-port memory in an application, as shown in [Figure 5-1](#). Furthermore, each block memory supports multiple configurations or aspect ratios. [Table 5-2](#) summarizes the essential SelectRAM features.

Cascade multiple block RAMs to create deeper and wider memory organizations with a minimal timing penalty incurred through specialized routing resources.

The block RAMs in the Spartan-3A DSP platform include an optional output register similar to the block RAM output register of the Virtex®-4 FPGA. The output register enables full-speed operation at over 250 MHz for all data widths.



X463_01_122208

Notes:

1. w_A and w_B are integers representing the total data path width (i.e., data bits plus parity bits) at ports A and B, respectively. See Table 5-8 and Table 5-9.
2. p_A and p_B are integers that indicate the number of data path lines serving as parity bits.
3. r_A and r_B are integers representing the address bus width at ports A and B, respectively.
4. The control signals CLK, WE, EN, and SSR on both ports have the option of inverted polarity.

Figure 5-1: SelectRAM 18K Blocks Perform as Dual-Port (a) and Single-Port (b) Memory

Table 5-2: SelectRAM 18K Block Memory Features and Applications

Total RAM bits, including parity	18,432 (16K data + 2K parity)
Memory Organizations	16Kx1 8Kx2 4Kx4 2Kx8 (no parity) 2Kx9 (x8 + parity) 1Kx16 (no parity) 1Kx18 (x16 + 2 parity) 512x32 (no parity) 512x36 (x32 + 4 parity) 256x72 (single-port only)
Parity	Available and optional only for organizations greater than byte-wide. Parity bits optionally available as extra data bits.
Performance	240+ MHz (refer to individual FPGA family data sheet)
Timing Interface	Simple synchronous interface. Similar to reading and writing from a register with a setup time for write operations and clock-to-output delay for read operations.

Table 5-2: SelectRAM 18K Block Memory Features and Applications (Continued)

Single-Port	Yes
True Dual-Port	Yes
ROM, Initial RAM Contents	Yes
Mixed Data Port Widths	Yes
Power-Up Condition	User-defined data, defaults to zero
Potential Applications	Local data storage, FIFOs, elastic stores, register files, buffers, stacks, circular buffers, shift registers, delay lines, waveform storage and generation, direct digital synthesis, CAMs, associative memories, function tables, function generators, wide logic functions, code converters, encoders, decoders, counters, state machines, microsequencers, program storage for embedded processor(s)

Block RAM Differences between Spartan-3 Generation Families

Overall, block RAM is similar in all Spartan-3 generation FPGAs. However, Extended Spartan-3A FPGAs have some subtle but significant block RAM enhancements over Spartan-3E and Spartan-3 family FPGAs, as summarized in Table 5-3. Extended Spartan-3A family FPGAs have byte-level write enable controls, supported by the RAMB16BWE design primitive. However, Extended Spartan-3A family FPGA designs continue to support the RAMB16 design primitive that is used for Spartan-3 or Spartan-3E FPGA designs (see Table 5-8 and Table 5-9). Timing parameters are similar in functionality between the Spartan-3/3E and Extended Spartan-3A family, but have different names. Spartan-3A DSP FPGAs add an output register, supported by the RAMB16BWER primitive.

Table 5-3: Comparison Between Spartan-3/3E, Spartan-3A/3AN, and Spartan-3A DSP Block RAMs

Feature	Spartan-3/ Spartan-3E Block RAM	Spartan-3A/ Spartan-3AN Block RAM	Spartan-3A DSP Block RAM
Individual write-enables for each byte lane in x9, x18, or x36 configurations	No (single write-enable only)	Yes	Yes
Special routing resources between block RAM and multiplier for x36 configurations	No	Yes	General Purpose
Output register	No	No	Yes
Supported by RAMB16 primitive	Yes	Yes	Yes
Supported by RAMB16BWE primitive (RAMB16 with byte-level write enable)	No	Yes	Yes
Supported by RAMB16BWER primitive (RAMB16BWE with output register)	No	No	Yes

The Xilinx CORE Generator system supports various modules containing block RAM for Spartan-3 devices including:

- Embedded dual- or single-port RAM modules
- ROM modules
- Synchronous and asynchronous FIFO modules
- Content-Addressable Memory (CAM) modules

Furthermore, block RAM can be instantiated in any synthesis-based design using the appropriate *RAMB16* module from the Xilinx design library (see [Table 5-8](#) and [Table 5-9](#)).

This chapter describes the signals and attributes of the Spartan-3 block RAM feature, including details on the various attributes and applications for block RAM.

Block RAM Location and Surrounding Neighborhood

As mentioned previously, block RAM is organized in columns. [Figure 5-2](#) shows the block RAM column arrangement for the XC3S200A. The XC3S50A has a single column of block RAM, located two CLB columns from the left edge of the device. Spartan-3 generation FPGAs larger than the XC3S50 have at least two columns of block RAM, adjacent to the left and right edges of the die, located two columns of CLBs from the I/Os at the edge. In addition to the block RAM columns at the edge, the XC3S4000, XC3S5000, and XC3SD1800A have two additional columns—a total of four columns—nearly equally distributed between the two edge columns. The XC3SD3400A adds a fifth block RAM column, located two CLB columns to the left of the center DCMs. In some devices, the block RAM column is interrupted by DCMs or CLBs. [Table 5-1](#) describes the number of columns and the total amount of block RAM on Spartan-3 generation FPGAs. The edge columns make block RAM particularly useful in buffering or resynchronizing buses entering or leaving the FPGA.

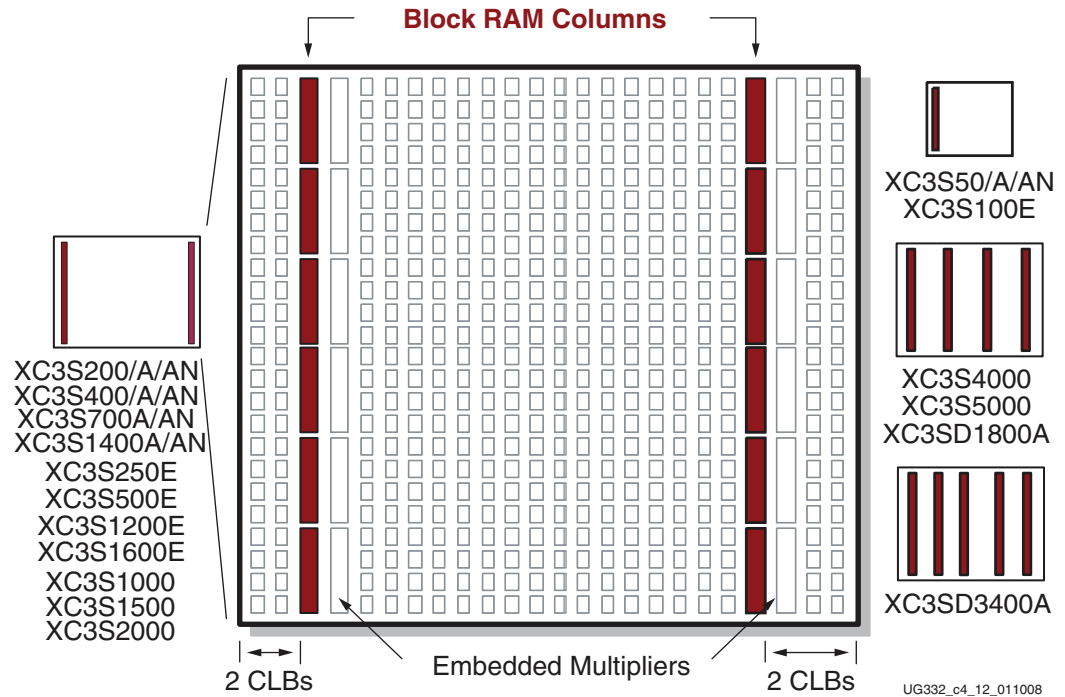


Figure 5-2: Block RAMs Arranged in Columns with Detailed Floorplan of XC3S200

Immediately adjacent to each block RAM is an embedded 18x18 hardware multiplier. Co-locating block RAM and the embedded multipliers improves the performance of some

digital signal processing functions. In the Spartan-3A DSP platform, the multiplier is extended into the DSP48A block.

Special interconnect surrounding the block RAM provides efficient signal distribution for address and data. Furthermore, special provisions allow multiple block RAMs to be cascaded to create wider or deeper memories.

Block RAM/Multiplier Routing Interaction

Each multiplier is located adjacent to an 18 Kbit block RAM and shares some interconnect resources. In the Spartan-3 and Spartan-3E families, configuring an 18 Kbit block RAM for 32/36-bit wide data (512 x 36 mode) prevents use of the associated dedicated multiplier because the lower 16 bits of the A multiplicand input are shared with the upper 16 bits of the block RAM's Port A Data input. Similarly, the lower 16 bits of the B multiplicand input are shared with Port B's Data input.

For more details, see “Multiplier/Block RAM Routing Interaction” in Chapter 11.

Data Flows

Spartan-3 generation block RAM is constructed of true dual-port memory and simultaneously supports all the data flows and operations shown in Figure 5-3. Both ports access the same set of memory bits but with two potentially different address schemes depending on the port's data width.

1. Port A behaves as an independent single-port RAM supporting simultaneous read and write operations using a single set of address lines.
2. Port B behaves as an independent single-port RAM supporting simultaneous read and write operations using a single set of address lines.
3. Port A is the write port with a separate write address, and Port B is the read port with a separate read address. The data widths for Port A and Port B can be different also.
4. Port B is the write port with a separate write address, and Port A is the read port with a separate read address. The data widths for Port B and Port A can be different also.

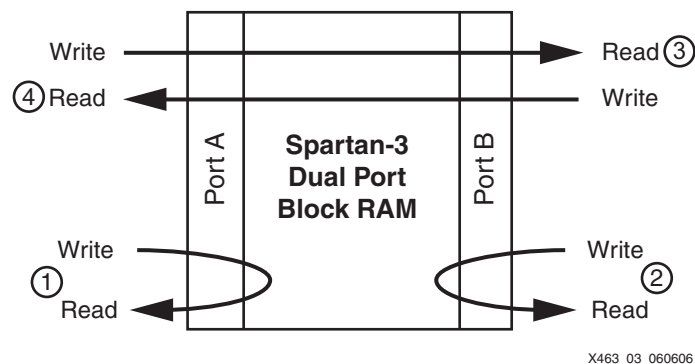


Figure 5-3: Block RAM Support Single- and Dual-Port Data Transfers

Signals

The signals connected to a block RAM primitive divide into four categories, as listed below. Table 5-4 lists the block RAM interface signals, the signal names for both single-port and dual-port memories, and signal direction.

1. Data Inputs and Outputs
2. Parity Inputs and Outputs, available when a data port is byte-wide or wider
3. Address inputs to select a specific memory location
4. Various control signals that manage read, write, or set/reset operations

Table 5-4: Block RAM Interface Signals

Signal Description	Single Port	Dual Port		Direction
		Port A	Port B	
Data Input Bus	DI	DIA	DIB	Input
Parity Data Input Bus (available only for byte-wide and wider organizations)	DIP	DIPA	DIPB	Input
Data Output Bus	DO	DOA	DOB	Output
Parity Data Output (available only for byte-wide and wider organizations)	DOP	DOPA	DOPB	Output
Address Bus	ADDR	ADDRA	ADDRB	Input
Write Enable	WE	WEA	WEB	Input
Clock Enable	EN	ENA	ENB	Input
Synchronous Set/Reset	SSR	SSRA	SSRB	Input
Clock	CLK	CLKA	CLKB	Input
Synchronous/Asynchronous Set/Reset (Spartan-3A DSP only)	N/A	RSTA	RSTB	Input
Output Register (Spartan-3A DSP only)	N/A	REGCEA	REGCEB	Input

Data Inputs and Outputs

The total width of a port's data port includes both the data bus and the parity bus, when applicable, as shown in [Figure 5-4](#). In the 512x36 organization, for example, the 36-bit data port width includes four parity bits as the more significant bits followed by the 32 data bits as the less significant bits.

The data and parity input and output signals are always buses; that is, in a 1-bit width configuration, the data input signal is DI[0] and the data output signal is DO[0].

Data Input Bus — DI[#:0] (DIA[#:0], DIB[#:0])

The Data Input bus is the source of data to be written into RAM.

Data at the DI input bus is written to the RAM location specified by the address input bus, ADDR, during a Low-to-High transition on the CLK input, when the clock enable EN and write enable WE inputs are High.

Data Output Bus — DO[#:0] (DOA[#:0], DOB[#:0])

The data output bus, DO, presents the contents of memory cells referenced by the address bus, ADDR, at the active clock edge during a read operation. During a simultaneous write operation, the behavior of the data output latches is controlled by the WRITE_MODE attribute (see "[Read Behavior During Simultaneous Write — WRITE_MODE](#)," page 181).

Parity Inputs and Outputs

Parity is only supported for data paths byte wide and wider.

Although referred to herein as *parity* bits, the parity inputs and outputs have no special functionality and can be used as additional data bits. For example, the parity bits could be used to hold additional information about a data word, tagging the data as code or data, positive or negative values, old or new data, etc.

Block RAM does not contain any special circuitry for generating or checking parity. These functions, if required by the application, are created using CLB logic resources.

Data Input Parity Bus — DIP[#:0] (DIPA[#:0], DIPB[#:0])

Data at the DIP input bus is written to the RAM location specified by the address input bus, ADDR, during a Low-to-High transition on the CLK input, when the clock enable EN and write enable WE inputs are High.

Data Output Parity Bus — DOP[#:0] (DOPA[#:0], DOPB[#:0])

The data output bus, DOP, presents the contents of memory cells referenced by the address bus, ADDR, at the active clock edge during a read operation. During a simultaneous write operation, the behavior of the data output latches is controlled by the WRITE_MODE attribute (see “[Read Behavior During Simultaneous Write — WRITE_MODE](#),” page 181).

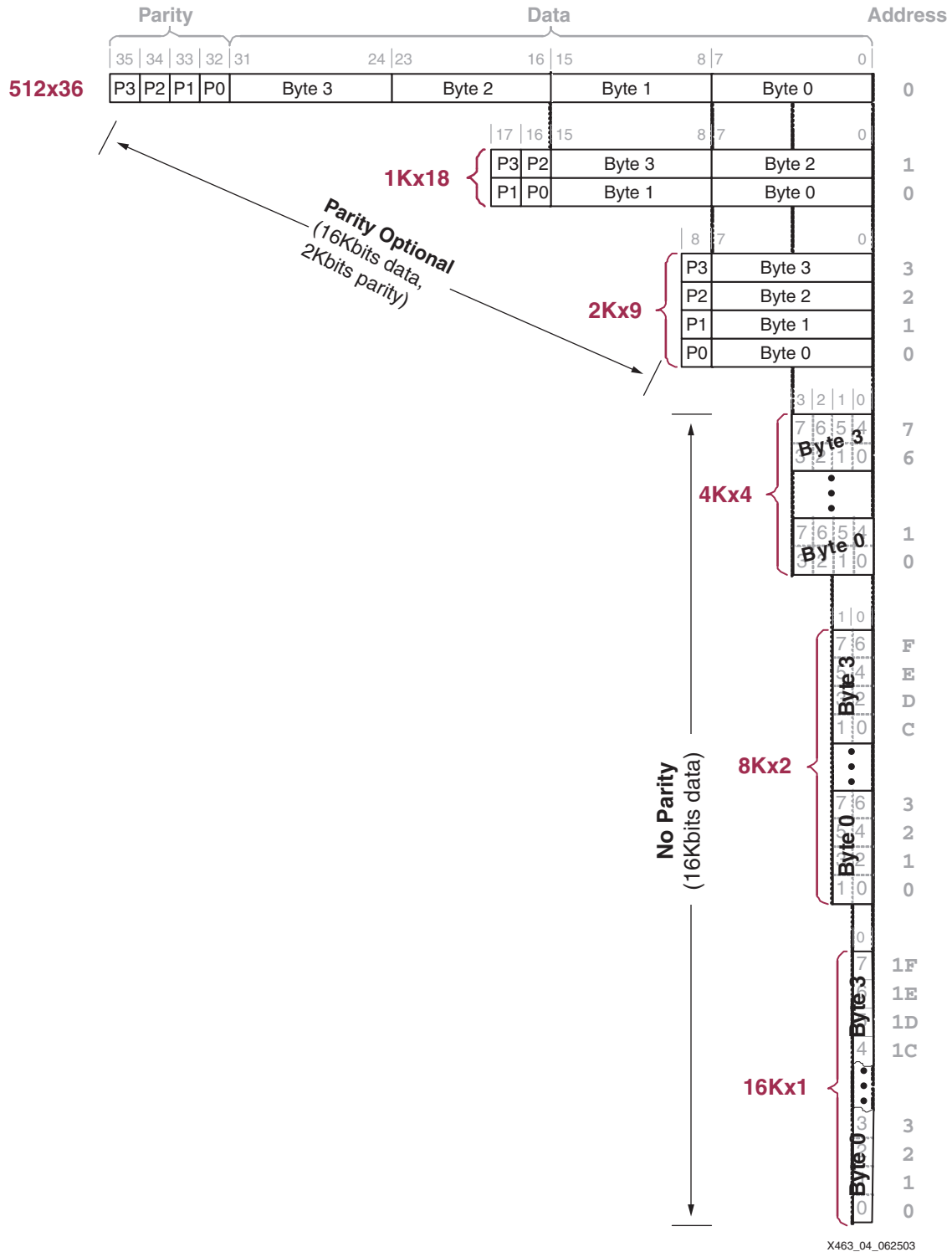


Figure 5-4: Data Organization and Mapping Between Modes

Address Input

As dual-port RAM, both ports operate independently while accessing the same set of 18 Kbit memory cells.

Caution! Whenever a block RAM port is enabled (ENA or ENB = High), all address transitions must meet the data sheet setup and hold times with respect to the port clock (CLKA or CLKB). This requirement must be met even if the RAM read output is of no interest, or WE is deasserted. There are some instances in which you might not be able to meet these requirements; for instance, if there is a multi-cycle path on the address input signals. Work around this by disabling the port via ENA/ENB during the time that the address inputs do not meet set up and hold requirements. De-asserting ENA/ENB will disable the port so that violating the address input setup and hold requirements will not affect block RAM contents. Assert ENA/ENB again when resuming normal read/write functionality.

Address Bus — ADDR[#:0] (ADDRA[#:0], ADDR B[#:0])

The address bus selects the memory cells for read or write operations. The width of the address bus input determines the required address bus width, as shown in [Table 5-8](#).

Control Inputs

Clock — CLK (CLKA, CLKB)

Each port is fully synchronous with independent clock pins. All port input pins have setup time referenced to the port CLK pin. The data bus has a clock-to-out time referenced to the CLK pin. Clock polarity is configurable and is rising edge triggered by default.

With default polarity, a Low-to-High transition on the clock (CLK) input controls read, write, and reset operations.

Enable — EN (ENA, ENB)

The enable input, EN, controls read, write, and set/reset operations. When EN is Low, no data is written and the outputs DO and DOP retain the last state. The polarity of EN is configurable and is active High by default.

When EN is asserted, minus an active synchronous set/reset input or write-enable input, block RAM always reads the memory location specified by the address bus, ADDR, at the rising clock edge.

Write Enable — WE (WEA, WEB)

The write enable input, WE, controls when data is written to RAM. When both EN and WE are asserted at the rising clock edge, the value on the data and parity input buses is written to memory location selected by the address bus.

The data output latches are loaded or not loaded according to the WRITE_MODE attribute.

The polarity of WE is configurable and is active High by default.

All Spartan-3 generation FPGAs support the RAMB16 block RAM primitive that has a single write-enable input that controls write operations regardless of the data width for the configured data organization. See [Figure 5-4, page 171](#) for a diagram of all supported data organizations. [Table 5-5, page 173](#) shows the write-enable behavior for the RAMB16 primitive.

Spartan-3A/3AN FPGAs introduce a new block RAM primitive called RAMB16BWE, essentially a RAMB16 primitive with four independent byte-level write enable inputs. The Spartan-3A DSP FPGA primitive RAMB16BWER has the same byte-level write enable function. As shown in [Table 5-6, page 173](#), the independent write-enable inputs allow an application to write an individual byte or select bytes from a multi-byte data word without affecting the unselected RAM locations. This feature is useful for a variety of applications, especially MicroBlaze processor designs. For 1Kx18 data organizations, connect WE0 with WE2 to select the lower 9 bits and connect WE1 with WE3 to select the upper 9 bits.

Table 5-5: RAMB16 Write Operations (All Spartan-3 Generation FPGAs)

Data Organization	EN	WE	CLK	Function
All (See Figure 5-4)	0	X	X	Block RAM disabled. No operation.
	1	0	↑	Block RAM enabled but no write operation.
	1	1	↑	As appropriate for the block RAM data organization, write data from the DI and DIP input ports to the currently addressed RAM location.

Table 5-6: RAMB16BWE/R Write Operations (Spartan-3A/3AN/3A DSP FPGAs Only)

Data Organization	EN	Byte-level Write Enables				CLK	Function
		WE3	WE2	WE1	WE0		
All	0	X	X	X	X	X	Block RAM disabled. No operation.
16Kx1 8Kx2 4Kx4 2Kx9	1	0				↑	Block RAM enabled but no write operation.
		1				↑	Write data from the DI and DIP input ports to the currently addressed RAM location.
1Kx18	1	Same as WE1	Same as WE0	1	1	↑	Write 18 bits: Write data from the DI[15:0] and DIP[1:0] input ports to the currently addressed RAM location.
				0	1		Write lower 9 bits: Write data only from the DI[7:0] and DIP[0] input ports to the currently addressed RAM location. Other bits in RAM location unaffected.
				1	0		Write upper 9 bits: Write data only from the DI[15:8] and DIP[1] input ports to the currently addressed RAM location. Other bits in RAM location unaffected.

Table 5-6: RAMB16BWE/R Write Operations (Spartan-3A/3AN/3A DSP FPGAs Only) (Continued)

Data Organization	EN	Byte-level Write Enables				CLK	Function
		WE3	WE2	WE1	WE0		
512x36	1	1	1	1	1	↑	Write 36 bits: Write data from the DI[31:0] and DIP[3:0] input ports to the currently addressed RAM location.
		0	0	0	1	↑	Write lowest 9 bits: Write data only from the DI[7:0] and DIP[0] input ports to the currently addressed RAM location. Other bits in RAM location unaffected.
		0	0	1	0	↑	Write next 9 bits: Write data only from the DI[15:8] and DIP[1] input ports to the currently addressed RAM location. Other bits in RAM location unaffected.
		0	0	1	1	↑	Write lower 18 bits: Write data from the DI[15:0] and DIP[1:0] input ports to the currently addressed RAM location. Other bits in RAM location unaffected.
		1	1	0	0	↑	Write upper 18 bits: Write data from the DI[31:16] and DIP[3:2] input ports to the currently addressed RAM location. Other bits in RAM location unaffected.

Output Register Enable - REGCE (REGCEA, REGCEB) Spartan-3A DSP Only

The Output Register Write enable input, REGCE, controls when data is written to the RAM Output registers. When both EN and REGCE are asserted at the rising clock edge, the value on the output of the block RAM is written to the block RAM output register.

The polarity of REGCE is configurable and is active High by default.

Output Latch Synchronous Set/Reset — SSR (SSRA, SSRB)

The synchronous set/reset input, SSR, forces the data output latches to the value specified by the SRVAL attribute. When SSR and the enable signal, EN, are High, the data output latches for the DO and DOP outputs are synchronously set to a '0' or '1' according to the SRVAL parameter.

A Synchronous Set/Reset operation does not affect RAM cells and does not disturb write operations on the other port.

The polarity of SSR is configurable and is active High by default.

The SSR input is available on the RAMB16 and RAMB16BWE components. The RAMB16BWER component for the Spartan-3A DSP platform provides the RST input instead.

Output Latch/Register Synchronous/Asynchronous Set/Reset - RST (RSTA, RSTB) - Spartan-3A DSP Only

The Spartan-3A DSP platform block RAM set/reset input is optionally synchronous or asynchronous and controls both the output latches and the optional output registers. The control pin for this operation is named RST and is available on the RAMB16BWER component.

In synchronous mode, if RST and the enable signal EN are High, the data output latches and optional output registers for the DO and DOP outputs are synchronously set to a '0' or '1' according to the SRVAL parameter.

In asynchronous mode, if RST and the enable signal EN are High, the data output latches and optional output registers for the DO and DOP outputs are asynchronously set to a '0' or '1' according to the SRVAL parameter.

The mode is set by setting the RSTTYPE attribute to "SYNC" for synchronous operation or "ASYNC" for asynchronous operation. The default for RSTTYPE is synchronous. Due to improved timing and circuit stability, it is recommended to always have this set to "SYNC" unless an asynchronous reset is absolutely necessary.

A RST operation does not affect block RAM cells and does not disturb write operations on the other port.

The polarity of RST is configurable and is active High by default.

The RST input is available on the RAMB16BWER component for the Spartan-3A DSP platform. The RAMB16 and RAMB16BWE components provide the SSR input instead.

Global Set/Reset — GSR

The global set/reset signal, GSR, is asserted automatically and momentarily at the end of device configuration. By instantiating the STARTUP primitive, the logic application can also assert GSR to restore the initial FPGA state at any time. The GSR signal initializes the output latches to the INIT value. A GSR signal has no impact on internal memory contents.

Because GSR is a global signal and automatically connected throughout the device, the block RAM primitive does not have a GSR input pin.

Inverting Control Pins

For each port, the four control pins—CLK, EN, WE, and SSR/RST—each have an individual inversion option. Any control signal can be configured as active High or Low, and the clock can be active on a rising or falling edge without consuming additional logic resources.

Unused Inputs

Tie any unused data or address inputs to logic '1'. Connecting the unused inputs High saves logic and routing resources compared to connecting the inputs Low.

Attributes

A block RAM has a number of attributes that control its behavior as shown in [Table 5-7](#) for VHDL and Verilog. The CORE Generator system uses slightly different values, as described below.

Table 5-7: Block RAM Attributes and VHDL/Verilog Attribute Names

Function	VHDL or Verilog Attribute	Default Value
Number of Ports	Defined by instantiating the appropriate RAMB16 primitive	N/A
Memory Organization	Defined by instantiating the appropriate RAMB16 primitive	N/A

Table 5-7: Block RAM Attributes and VHDL/Verilog Attribute Names (Continued)

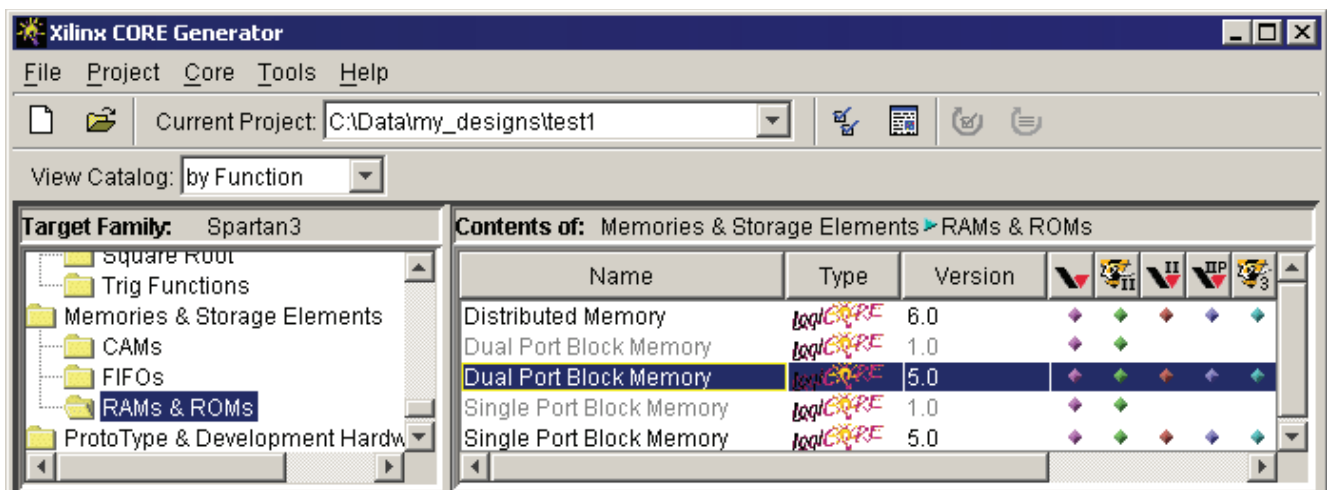
Function	VHDL or Verilog Attribute	Default Value
Initial Content for Data Memory, Loaded during Configuration	INIT_xx	Initialized to zero
Initial Content for Parity Memory, Loaded during Configuration	INITP_xx	Initialized to zero
Data Output Latch Initialization	INIT (single-port) INIT_A, INIT_B (dual-port)	Initialized to zero
Data Output Latch Synchronous Set/Reset Value	SRVAL (single-port) SRVAL_A, SRVAL_B (dual-port)	Reset to zero
Data Output Latch Behavior during Write	WRITE_MODE	WRITE_FIRST
Block RAM Location	LOC	N/A
Reset Type (Spartan-3A DSP only)	RSTTYPE	SYNC

Number of Ports

Although physically dual-port memory, each block RAM performs as either single-port or dual-port memory. The method to specify the number of ports depends on the design entry tool.

CORE Generator System

As shown in Figure 5-5, the Xilinx CORE Generator system provides module generators for various types of memory blocks. Choose single- or dual-port block memories or use the higher-level functions to create FIFOs, content-addressable memories (CAMs), and so forth.



X463_05_060606

Figure 5-5: Selecting a Block RAM Function in CORE Generator System

VHDL or Verilog Instantiation

The Xilinx design libraries contain single- and dual-port memory primitives similar to those shown in [Figure 5-1](#). Select among the various primitives to choose single- or dual-port memory, as well as the memory organization or aspect ratio of the memory. See [Table 5-8](#) and [Table 5-9](#) for single-port and dual-port block RAM primitives, respectively.

Memory Organization/Aspect Ratio

The data organization or aspect ratio of a RAM block is configurable, as shown in [Table 5-8](#). If the data path is byte-wide or wider, then the block RAM also provides additional bits to support parity for each byte. Consequently, a 1Kx18 memory organization is 18 bits wide with 16 bits (two bytes) allocated to data plus two parity bits, one for each byte. Also, the physical amount of memory accessible from a port depends on the memory organization. For memories byte-wide and wider, there are 18K memory bits accessible. For narrower memories, only 16K bits are accessible due to the lack of parity bits in these organizations. Essentially, 16K bits are allocated to data, 2K bits to parity on the 18 Kbit block RAM. See [Figure 5-4](#) for details on data mapping for and between each memory organization.

Table 5-8: Block RAM Data Organizations/Aspect Ratios

Organization	Memory Depth	Data Width	Parity Width	DI/DO	DIP/DOP	ADDR	Single-Port Primitive	Total RAM Kbits
512x36	512	32	4	(31:0)	(3:0)	(8:0)	RAMB16_S36	18K
1Kx18	1024	16	2	(15:0)	(1:0)	(9:0)	RAMB16_S18	18K
2Kx9	2048	8	1	(7:0)	(0:0)	(10:0)	RAMB16_S9	18K
4Kx4	4096	4	-	(3:0)	-	(11:0)	RAMB16_S4	16K
8Kx2	8192	2	-	(1:0)	-	(12:0)	RAMB16_S2	16K
16Kx1	16384	1	-	(0:0)	-	(13:0)	RAMB16_S1	16K

CORE Generator System — Memory Size

The CORE Generator system creates a wide variety of memories with very flexible aspect ratios. Unlike the actual block RAM primitive, the CORE generator system does not differentiate between data and parity bits and considers all bits data bits. For dual-port memories, each port can have different organizations or aspect ratios.

Within the CORE Generator system, locate the Memory Size group and enter the desired memory organization, as shown in [Figure 5-6](#).

Memory Size

Width Valid Range 1..256

Depth Valid Range 2..16384

Figure 5-6: Selecting Memory Width and Depth in CORE Generator System

VHDL or Verilog Instantiation

The aspect ratio is defined at design time by specifying or instantiating the appropriate SelectRAM component. Table 5-8 indicates the SelectRAM component for single-port RAM. For single-port RAM, the proper component name is `RAMB16_Sn`, where n is the data path width including both the data bits plus parity bits. For example, a 1Kx18 single-port RAM uses component `RAMB16_S18`. In this example, $n=18$ because there are 16 data bits plus 2 parity bits.

Selecting a dual-port memory is slightly more complex because the two memory ports can have different aspect ratios. For dual-port RAM, the proper component name is `RAMB16_Sm_Sn`, where m is the data path width for Port A and n is the width for Port B. For example, using the suffix shown in Table 5-9, if Port A is organized a 2Kx9 and Port B is organized as 1Kx18, then the proper dual-port RAM component is `RAMB16_S9_S18`. In this example, $m=9$ and $n=18$.

Table 5-9: Dual-Port RAM Component Suffix Appended to “RAMB16”

		Port A					
		16Kx1	8Kx2	4Kx4	2Kx9	1Kx18	512x36
Port B	16Kx1	<code>_s1_s1</code>					
	8Kx2	<code>_s1_s2</code>	<code>_s2_s2</code>				
	4Kx4	<code>_s1_s4</code>	<code>_s2_s4</code>	<code>_s4_s4</code>			
	2Kx9	<code>_s1_s9</code>	<code>_s2_s9</code>	<code>_s4_s9</code>	<code>_s9_s9</code>		
	1Kx18	<code>_s1_s18</code>	<code>_s2_s18</code>	<code>_s4_s18</code>	<code>_s9_s18</code>	<code>_s18_s18</code>	
	512x36	<code>_s1_s36</code>	<code>_s2_s36</code>	<code>_s4_s36</code>	<code>_s9_s36</code>	<code>_s18_s36</code>	<code>_s36_s36</code>

Address and Data Mapping Between Two Ports

In dual-port mode, both ports access the same set of memory cells. However, both ports can have the same or different memory organization or aspect ratio. Figure 5-4 shows how the same data set might appear with different aspect ratios.

There are extra bits available to store parity for memory organizations that are byte-wide or wider. The extra parity bits are designed to be associated with a particular byte and these parity bits appear as the more-significant bits on the data port. For example, if a x36 data word (32 data, 4 parity) is addressed as two x18 halfwords (16 data, 2 parity), the parity bits associated with each data byte are mapped within the block RAM to appropriate parity bits. The same effect happens when the x36 data word is mapped as four x9 words. The extra parity bits are not available if the data port is configured as x4, x2, or x1.

The following formulas provide the starting and ending address for data when the two ports have different memory organizations. Find the starting and ending addresses for Port X given the address and port width of Port Y and the port width of Port X.

$$START_ADDRESS_X = INTEGER\left(\frac{ADDRESS_Y \cdot WIDTH_Y}{WIDTH_X}\right)$$

$$END_ADDRESS_X = INTEGER\left(\frac{((ADDRESS_Y + 1) \cdot WIDTH_Y) - 1}{WIDTH_X}\right)$$

If, due the memory organization, one port includes parity bits and the other does not, then the above equations are invalid and the values for width should only include the data bits. The parity bits are not available on any port that is less than 8 bits wide.

Content Initialization

By default, block RAM is initialized with all zeros during the device configuration sequence. However, the contents can also be initialized with user-defined data. Furthermore, the RAM contents are protected against spurious writes during configuration.

CORE Generator System — Load Init File

To specify the initial RAM contents for a CORE Generator block RAM function, create a coefficients (.coe) file. A simple example of a coefficients file appears in [Figure 5-7](#). At a minimum, define the radix for the initialization data—i.e., base 2, 10, or 16—and then specify the RAM contents starting with the data at location 0, followed by data at subsequent locations.

```
memory_initialization_radix=16;
memory_initialization_vector= 80, 0F, 00, 0B, 00, 0C, ..., 81;
```

Figure 5-7: A Simple Coefficients File (.coe) Example

To include the coefficients file, locate the appropriate section in the CORE Generator wizard and check **Load Init File**, as shown in [Figure 5-8](#). Then, click **Load File** and select the coefficients file.

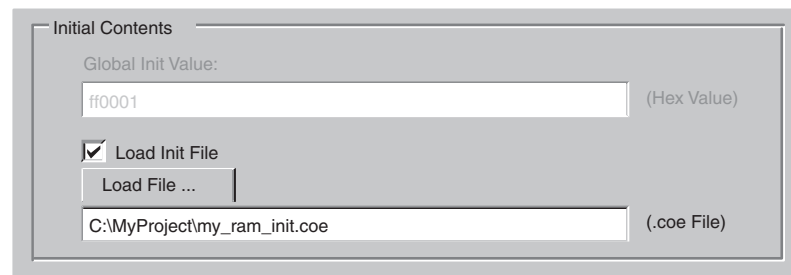


Figure 5-8: Specifying Initial RAM Contents in CORE Generator System

VHDL or Verilog Instantiation — INIT_xx, INITP_xx

For VHDL and Verilog instantiation, there are two different types of initialization attributes. The **INIT_xx** attributes define the initial contents of the data memory locations. The **INITP_xx** attributes define the initial contents of the parity memory locations.

The **INIT_xx** attributes on the instantiated primitive define the initial memory contents. There are 64 initialization attributes, named **INIT_00** through **INIT_3F**. Each **INIT_xx** attribute is a 64-digit (256-bit) hex-encoded bit vector. The memory contents can be partially initialized and any unspecified locations are automatically completed with zeros.

The following formula defines the bit positions for each **INIT_xx** attribute.

Given $yy = \text{convert_hex_to_decimal}(xx)$, **INIT_xx** corresponds to the following memory cells.

- Starting Location: $[(yy + 1) * 256] - 1$

- End Location: $(yy) * 256$

For example, for the attribute `INIT_1F`, the conversion is as follows:

- $yy = \text{convert_hex_to_decimal}(0x1F) = 31$
- Starting Location: $[(31+1) * 256] - 1 = 8191$
- End Location: $31 * 256 = 7936$

Table 5-10: VHDL/Verilog RAM Initialization Attributes for Block RAM

Attribute	From	To
<code>INIT_00</code>	255	0
<code>INIT_01</code>	511	256
<code>INIT_02</code>	767	512
...
<code>INIT_3F</code>	16383	16128

The `INITP_xx` attributes define the initial contents of the memory cells corresponding to parity bits, *i.e.*, those bits that connect to the DIP/DOP buses. By default these memory cells are also initialized to all zeros.

The eight initialization attributes from `INITP_00` through `INITP_07` represent the memory contents of parity bits. Each `INITP_xx` is a 64-digit (256-bit) hex-encoded bit vector and behaves like an `INIT_xx` attribute. The same formula calculates the bit positions initialized by a particular `INITP_xx` attribute.

Data Output Latch Initialization

The block RAM output latches can be initialized to a user-specified value immediately after configuration or whenever the global set/reset signal, GSR, is asserted. For dual-port memories, there is a separate initialization value for each port.

If no value is specified, the output latch is initialized to zero.

CORE Generator System — Global Init Value

Figure 5-9 describes how to specify the initial value for data output latches in the CORE Generator system. The value, specified in hexadecimal, should include one bit per the specified data width. For dual-port memories, there is a separate initialization value for each port.



Figure 5-9: Specifying Initial Value for Block RAM Data Output Latches

VHDL or Verilog Instantiation — INIT (INIT_A and INIT_B)

For VHDL or Verilog, the INIT attribute (or INIT_A and INIT_B for dual-port memories) defines the output latch value after configuration. The INIT (or INIT_A and INIT_B) attribute specifies the initial value for the data and, if applicable, the parity bits. Figure 5-4 shows the expected bit format for each memory organization with parity bits—if applicable—as the more significant bits followed by the data bits. For example, the initialization value for a 2Kx9 memory would be nine bits wide and would include one parity bit followed by eight data bits. These attributes are hex-encoded bit vectors and the default value is 0.

Data Output Latch Synchronous Set/Reset Value

When the synchronous set/reset input, SSR (RST for the RAMB16BWER), is asserted, the data output latches are set or reset according to the set/reset value attribute. For dual-port memories, there is a separate initialization value for each port.

If no value is specified, the output latch is reset to zero during a valid Synchronous Set/Reset operation.

For the RAMB16BWER, the optional output register is also set or reset with the output latch.

CORE Generator System — Init Value (SINIT)

Figure 5-10 describes how to specify the synchronous set/reset value for data output latches in the CORE Generator system. Check the **SINIT pin** and then specify the synchronous set/reset value in hexadecimal, with one bit per the specified data width. For dual-port memories, there is a separate value for each port.

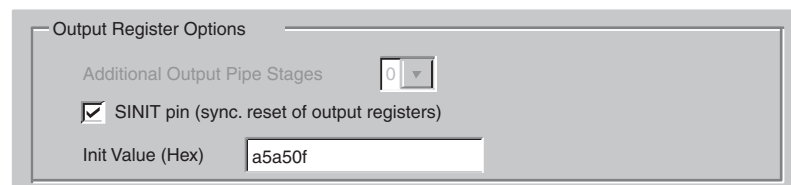


Figure 5-10: Specifying the Output Data Latch Set/Reset Value

VHDL or Verilog Instantiation — SRVAL (SRVAL_A and SRVAL_B)

For VHDL or Verilog, the SRVAL attribute (or SRVAL_A and SRVAL_B for dual-port memories) defines the output latch value after configuration. The SRVAL (or SRVAL_A and SRVAL_B) attribute specifies the initial value for the data and, if applicable, the parity bits. Figure 5-4 shows the expected bit format for each memory organization with parity bits—if applicable—as the more significant bits followed by the data bits. These attributes are hex-encoded bit vectors, and the default value is 0.

Read Behavior During Simultaneous Write — WRITE_MODE

To maximize data throughput and utilization of the dual-port memory at each clock edge, block RAM supports one of three write modes for each memory port. These different modes determine which data is available on the output latches after a valid write clock edge to the same port. The default mode, **WRITE_FIRST**, provides backwards compatibility with the older Virtex, Virtex-E, and Spartan-IIE FPGA architectures and is

also the default behavior for Virtex-II and Virtex-II Pro devices. However, [READ_FIRST](#) mode is the most useful as it increases the efficiency of block RAM at each clock cycle, allowing designs to use maximum bandwidth. In [READ_FIRST](#) mode, a memory port supports simultaneous read and write operations to the same address on the same clock edge, free of any timing complications.

[Table 5-11](#) outlines how the `WRITE_MODE` setting affects the output data latches on the same port, and how it affects the output latches on the opposite port during a simultaneous access to the same address.

Table 5-11: `WRITE_MODE` Affects Data Output Latches During Write Operations

Write Mode	Effect on Same Port	Effect on Opposite Port (Dual-Port Mode Only, Same Address)
WRITE_FIRST Read After Write (Default)	Data on <code>DI</code> , <code>DIP</code> inputs written into specified RAM location and simultaneously appears on <code>DO</code> , <code>DOP</code> outputs.	Invalidates data on <code>DO</code> , <code>DOP</code> outputs.
READ_FIRST Read Before Write (Recommended)	Data from specified RAM location appears on <code>DO</code> , <code>DOP</code> outputs. Data on <code>DI</code> , <code>DIP</code> inputs written into specified location.	Data from specified RAM location appears on <code>DO</code> , <code>DOP</code> outputs.
NO_CHANGE No Read on Write	Data on <code>DO</code> , <code>DOP</code> outputs remains unchanged. Data on <code>DI</code> , <code>DIP</code> inputs written into specified location.	Invalidates data on <code>DO</code> , <code>DOP</code> outputs.

Mode selection is set by configuration. One of these three modes is set individually for each port by an attribute. The default mode is [WRITE_FIRST](#).

WRITE_FIRST or Transparent Mode (Default)

The `WRITE_FIRST` mode is the default operating mode for backward compatibility reasons. For new designs, [READ_FIRST](#) mode is recommended.

In this mode, the input data is written into the addressed RAM location memory and simultaneously stored in the data output latches, resulting in a transparent write operation, as shown in [Figure 5-11](#). The `WRITE_FIRST` mode provides backwards compatibility with the 4 Kbit block RAMs on Virtex/Virtex-E and Spartan-II/Spartan-III FPGAs and is also the default mode for Virtex-II/Virtex-II Pro block RAMs.

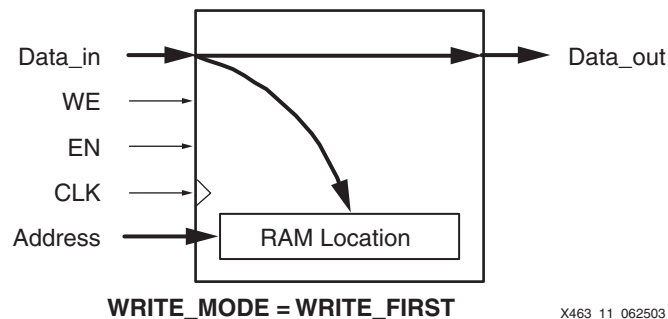


Figure 5-11: Data Flow during a `WRITE_FIRST` Write Operation

Figure 5-12 demonstrates that a valid write operation during a valid read operation results in the write data appearing on the data output.

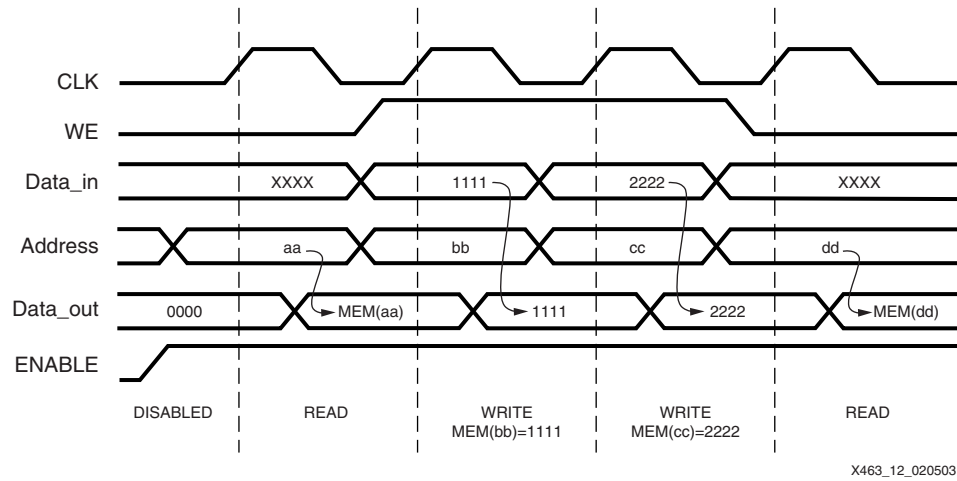


Figure 5-12: WRITE_FIRST Mode Waveforms

READ_FIRST or Read-Before-Write Mode

In READ_FIRST mode, data previously stored at the write address appears on the output latches, while the new input data is stored in memory, resulting in a read-before-write operation shown in Figure 5-13. The older RAM data appears on the data output while the new RAM data is stored in the specified RAM location. READ_FIRST mode is the recommended operating mode.

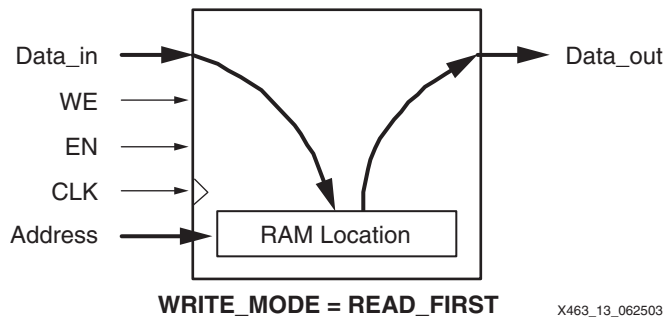


Figure 5-13: Data Flow during a READ_FIRST Write Operation

Figure 5-14 demonstrates that the older RAM data always appears on the data output, regardless of a simultaneous write operation.

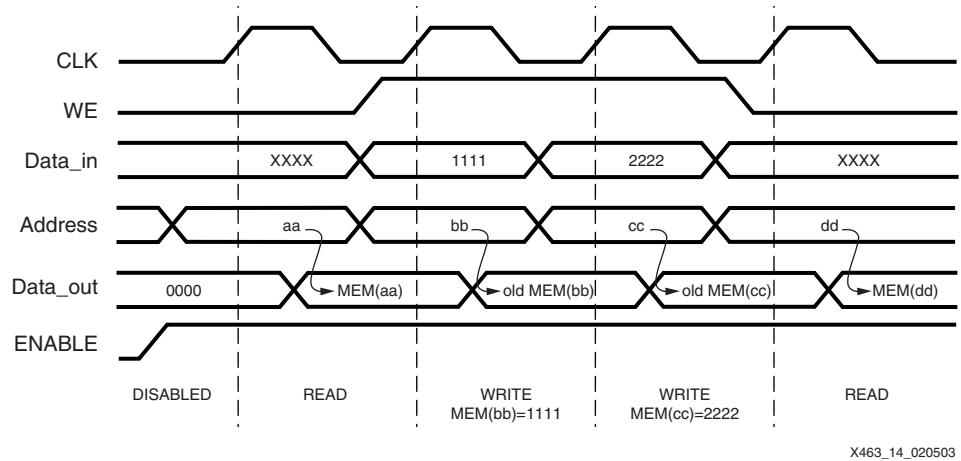


Figure 5-14: **READ_FIRST Mode Waveforms**

This mode is particularly useful for building circular buffers and large, block-RAM-based shift registers. Similarly, this mode is useful when storing FIR filter taps in digital signal processing applications. Old data is copied out from RAM while new data is written into RAM.

NO_CHANGE Mode

In NO_CHANGE mode, the output latches are disabled and remain unchanged during a simultaneous write operation, as shown in Figure 5-15. This behavior mimics that of simple synchronous memory where a memory location is either read or written during a clock cycle, but not both.

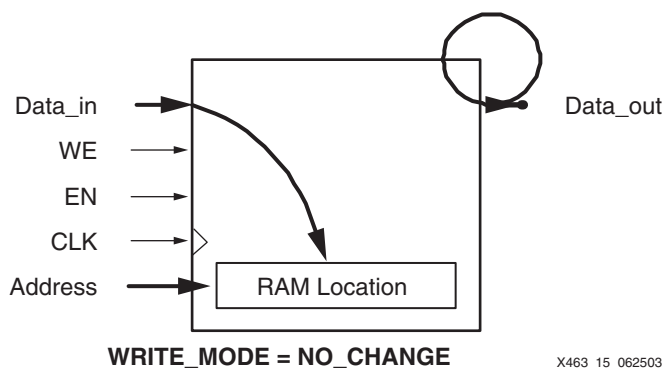


Figure 5-15: **Data Flow during a NO_CHANGE Write Operation**

The NO_CHANGE mode is useful in a variety of applications, including those where the block RAM contains waveforms, function tables, coefficients, and so forth. The memory can be updated without affecting the memory output.

Figure 5-16 shows that the data output retains the last read data if there is a simultaneous write operation on the same port.

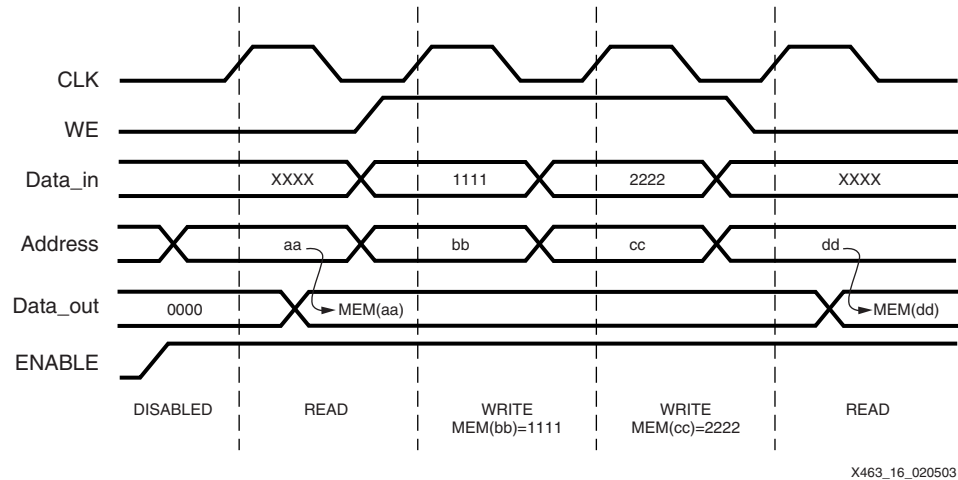


Figure 5-16: NO_CHANGE Mode Waveforms

CORE Generator System — Write Mode

To specify the WRITE_MODE in the CORE Generator system, locate the settings for Write Mode as shown in Figure 5-17. Select between Read After Write (WRITE_FIRST), Read Before Write (READ_FIRST) or No Read On Write (NO_CHANGE).

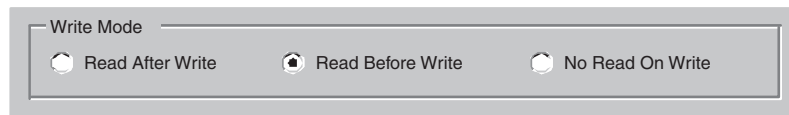


Figure 5-17: Selecting the Write Mode in CORE Generator System

VHDL or Verilog Instantiation — WRITE_MODE

When instantiating block RAM, specify the write mode via the WRITE_MODE attribute. Acceptable values include WRITE_FIRST, READ_FIRST, and NO_CHANGE, as demonstrated in the examples in the appendices.

Location Constraints (LOC)

In general, it is best to allow the Xilinx ISE® software to assign a block RAM location. However, block RAMs can be constrained to specific locations on a Spartan-3 device using an attached LOC property. Block RAM placement locations are device-specific and differ from the convention used for naming CLB locations, allowing LOC properties to transfer easily from array to array.

The LOC properties use the following form:

$$\text{LOC} = \text{RAMB16_X\#Y\#}$$

The RAMB16_X0Y0 is the lower-left block RAM location on the device, as shown in Figure 5-18. The upper-right block RAM location depends on *n*, the number of block RAM columns, and *m*, the number of block RAM rows, as provided in Table 5-1, page 163. The Spartan-3A DSP platform has four or five columns of block RAM, similar to the XC3S4000 and XC3S5000 devices.

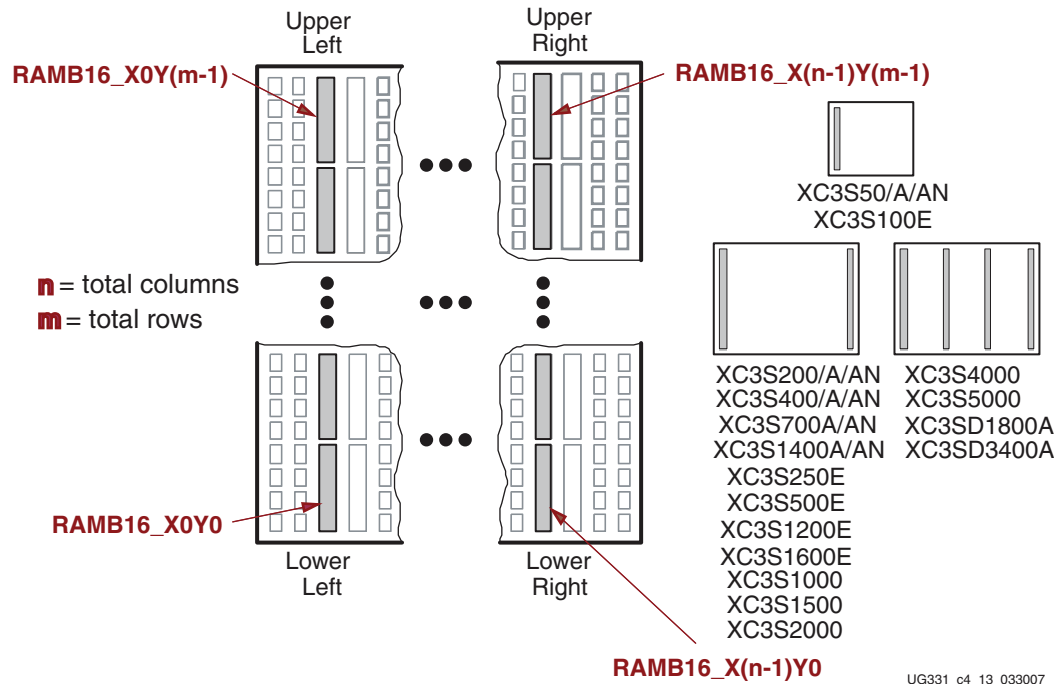


Figure 5-18: Block RAM LOC Coordinates

Location attributes cannot be specified directly in the CORE Generator system. However, location constraints can be added to VHDL or Verilog instantiations.

Block RAM Operation

Table 5-12 describes the behavior of block RAM and assumes that all control signals use their default, active-High behavior. However, the control signals can be inverted in the design if necessary. The table and following text describe the behavior for a single memory port. In dual-port mode, both ports perform as independent single-port memories.

All read and write operations to block RAM are synchronous. All inputs have a set-up time relative to clock and all outputs have a clock-to-output time.

Table 5-12: Block RAM Function Table

Input Signals								Output Signals		RAM Contents	
GSR	EN	SSR/RST	WE	CLK	ADDR	DIP	DI	DOP	DO	Parity	Data
Immediately After Configuration											
Loaded During Configuration								X	X	INITP _{xx} ²	INIT _{xx} ²
Global Set/Reset Immediately after Configuration											
1	X	X	X	X	X	X	X	INIT ³	INIT	No Chg	No Chg
RAM Disabled											
0	0	X	X	X	X	X	X	No Chg	No Chg	No Chg	No Chg
Synchronous Set/Reset											
0	1	1	0	↑	X	X	X	SRVAL ⁴	SRVAL	No Chg	No Chg

Table 5-12: Block RAM Function Table (Continued)

Input Signals								Output Signals		RAM Contents	
GSR	EN	SSR/RST	WE	CLK	ADDR	DIP	DI	DOP	DO	Parity	Data
Synchronous Set/Reset during Write RAM											
0	1	1	1	↑	addr	pdata	Data	SRVAL	SRVAL	RAM(addr) ←pdata	RAM(addr) ← data
Read RAM, no Write Operation											
0	1	0	0	↑	addr	X	X	RAM(pdata)	RAM(data)	No Chg	No Chg
Write RAM, Simultaneous Read Operation											
0	1	0	1	↑	addr	pdata	Data	WRITE_MODE = WRITE_FIRST⁵ (default)			
								pdata	data	RAM(addr) ←pdata	RAM(addr) ← data
								WRITE_MODE = READ_FIRST⁶ (recommended)			
								RAM(data)	RAM(data)	RAM(addr) ←pdata	RAM(addr) ←pdata
								WRITE_MODE = NO_CHANGE⁷			
No Chg	No Chg	RAM(addr) ←pdata	RAM(addr) ←pdata								

Notes:

1. No Chg = No Change, addr = address to RAM, data = RAM data, pdata = RAM parity data.
2. Refer to “Content Initialization,” page 179.
3. Refer to “Data Output Latch Initialization,” page 180.
4. Refer to “Data Output Latch Synchronous Set/Reset Value,” page 181.
5. Refer to “WRITE_FIRST or Transparent Mode (Default),” page 182.
6. Refer to “READ_FIRST or Read-Before-Write Mode,” page 183.
7. Refer to “NO_CHANGE Mode,” page 184.

RAM Contents Initialized During Configuration

The initial RAM contents, if specified, are loaded during the Spartan-3 configuration process. If no contents are specified, the RAM cells are loaded with zero. The RAM contents are protected against spurious writes during configuration.

Global Set/Reset Initializes Data Output Latches Immediately After Configuration or Global Reset

Immediately following configuration, the Spartan-3 device begins its start-up procedure and asserts the global set/reset signal, GSR, to initialize the state of all flip-flops and registers. The initial contents of the block RAM output latches, INIT, are asynchronously loaded at this time. The GSR signal does not change or re-initialize the RAM contents.

Enable Input Activates or Disables RAM

If the block RAM is disabled—i.e., EN is Low—then the block RAM retains its present state. The enable input must be High for any other operations to proceed.

Synchronous Set/Reset Initializes Data Output Latches

If the block RAM is enabled (EN is High) and the Synchronous Set/Reset signal is asserted High, then the data output latches are initialized at the next rising clock edge. The SRVAL attribute defines the synchronous set/reset state for the data output latches. This operation is different the operation caused by the global set/reset signal, GSR, immediately after configuration. The synchronous set/reset input affects the specific RAM block whereas the GSR signal affects the entire device.

Simultaneous Write and Synchronous Set/Reset Operations

If a simultaneous write operation occurs during the synchronous set/reset operation, then the data on the DI and DIP inputs is stored at the RAM location specified by the ADDR input. However, the data output latches are initialized to the SRVAL attribute value as described immediately above.

Read Operations Occur on Every Clock Edge When Enable is Asserted

Read operations are synchronous and require a clock edge and an asserted clock enable. The data output behavior depends on whether or not a simultaneous write operation occurs during the read cycle.

If no simultaneous write cycle occurs during a valid read cycle, then the read address is registered on the read port and the data stored in RAM at that address is simply loaded into the output latches after the RAM access interval passes.

However, if there is a simultaneous write cycle during the read cycle, then the output behavior depends on which of the three write modes is selected, as described immediately below.

Write Operations Always Have Simultaneous Read Operation, Data Output Latches Affected

During a Write operation, a simultaneous Read operation occurs. The WRITE_MODE attribute determines the behavior of the data output latches during the Write operation (refer to “[Read Behavior During Simultaneous Write — WRITE_MODE](#),” page 181). By default, WRITE_MODE is WRITE_FIRST and the data output latches and the addressed RAM locations are updated with the input data during a simultaneous Write operation. When WRITE_MODE is READ_FIRST, the output latches are updated with the data previously stored in the addressed RAM location and the new data on the DI and DIP inputs is stored at the address RAM location. When WRITE_MODE is NO_CHANGE, the data output latches are unaffected by a simultaneous Write operation and retain their present state.

General Characteristics

- A write operation requires only one clock edge.
- A read operation requires only one clock edge.
- All inputs are registered with the port clock and have a setup-to-clock timing specification.
- All outputs have a read-through function or one of three read-during-write functions, depending on the state of the WE pin. The outputs relative to the port clock are available after the clock-to-out timing interval.

- Block RAM cells are true synchronous RAMs and do not have a combinatorial path from the address to the output.
- The ports are completely independent of each other without arbitration. Each port has its own clocking, control, address, read/write functions, initialization, and data width.
- Output ports are latched with a self-timed circuit, guaranteeing glitch-free read operations. The state of the output port does not change until the port executes another read or write operation.

Functional Compatibility with Other Xilinx FPGA Families

The block RAM on Spartan-3 generation FPGAs is functionally identical to block RAM on the Xilinx Virtex-II/Virtex-II Pro FPGA families. Consequently, design tools that support Virtex-II and Virtex-II Pro block RAM also support with Spartan-3 generation FPGAs.

Spartan-3A/3AN/3A DSP FPGAs, while remaining fully backwards compatible with Spartan-3/3E FPGAs, also add byte-level write enable controls, similar to those found on Virtex-4 FPGAs. The Spartan-3A DSP FPGAs also include a block RAM output register similar to those found in the Virtex-4 FPGAs.

Dual-Port RAM Conflicts and Resolution

As a dual-port RAM, the block RAM allows both ports to simultaneously access the same memory cell. Potentially, conflicts arise under the following conditions:

1. If the clock inputs to the two ports are asynchronous, then conflicts occur if clock-to-clock setup time requirements are violated.
2. Both memory ports write different data to the same RAM location during a valid write cycle.
3. If a port uses `WRITE_MODE=NO_CHANGE` or `WRITE_FIRST`, a write to the port invalidates the read data output latches on the opposite port.

If Port A and Port B different memory organizations and consequently different widths, only the overlapping bits are invalid when conflicts occur.

Timing Violation Conflicts

When one port writes to a given memory cell, the other port must not address that memory cell—either for a write or a read operation—within the clock-to-clock setup window, which is equivalent to the block RAM minimum clock period ($T_{BPWH} + T_{BPWL}$), specified in the Spartan-3 generation FPGA family data sheets. [Figure 5-19](#) describes this situation where both ports operate from asynchronous clock inputs.

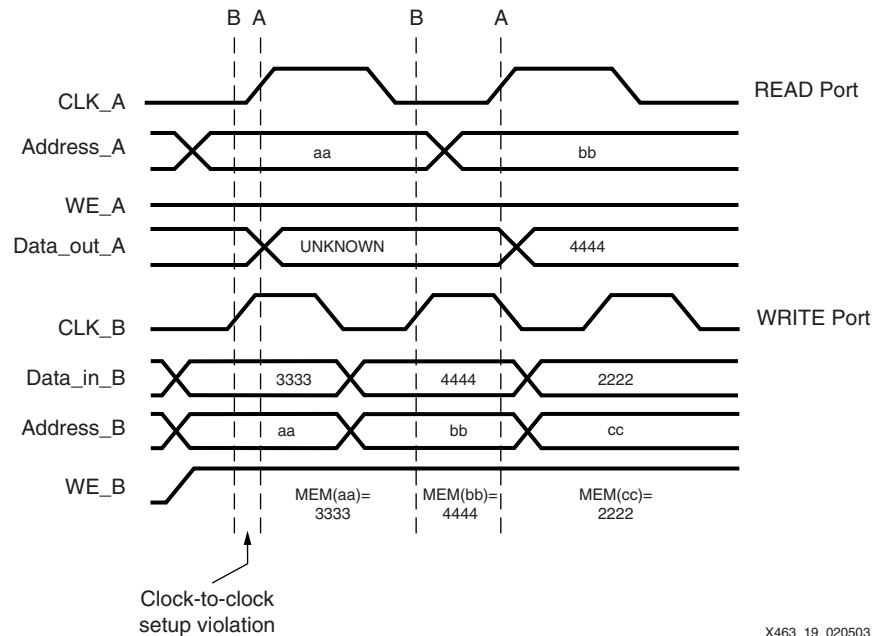


Figure 5-19: Clock-to-Clock Timing Conflicts

The first rising edge on CLK_A violates the clock-to-clock setup parameter, because it occurs too soon after the last CLK_B clock edge. The write operation on port B is valid because Data_in_B, Address_B, and WE_B all had sufficient setup time before the rising edge on CLK_B. Unfortunately, the read operation on port A is invalid because it depends on the RAM contents being written to Address_B and the read clock, CLK_A, happened too soon after the write clock, CLK_B.

On the second rising edge of CLK_B, there is another valid write operation to port B. The memory location at address (bb) contains 4444. Data on the Data_out_A port is still invalid because there has not been another rising clock edge on CLK_A. The second rising edge of CLK_A reads the new data at location (bb), which now contains 4444. This time, the read operation is valid because there has been sufficient setup time between CLK_B and CLK_A.

Simultaneous Writes to Both Ports with Different Data Conflicts

If both ports write simultaneously into the same memory cell with different data, then the data stored in that cell becomes invalid, as outlined in Table 5-13.

Table 5-13: RAM Conflicts During Simultaneous Writes to Same Address

Input Signals								RAM Contents	
Port A				Port B					
WEA	CLKB	DIPA	DIA	WEB	CLKA	DIPB	DIB	Parity	Data
1	↑	DIPA	DIA	1	.	DIPB	DIB	?	?

Notes:

1. ADDRA=ADDRB, ENA=1, ENB=1, DIPA ≠ DIPB, DIA ≠ DIB, ?=Unknown or invalid data.

Write Mode Conflicts on Output Latches

Potential conflicts occur when one port writes to memory and the opposite port reads from memory. Write operations always succeed, and the write port's output data latches behave as described by the port's WRITE_MODE attribute. If the write port is configured with WRITE_MODE set to NO_CHANGE or WRITE_FIRST, then a write operation to the port invalidates the data output latches on the opposite port, as shown in Table 5-14.

Using the READ_FIRST mode does not cause conflicts on the opposite port.

Table 5-14: Conflicts to Output Latches Based on WRITE_MODE

Input Signals								Output Signals			
Port A				Port B				Port A		Port B	
WEA	CLKA	DIPA	DIA	WEB	CLKB	DIPB	DIB	DOPA	DOA	DOPB	DOB
WRITE_MODE_A=NO_CHANGE											
1	↑	DIPA	DIA	0	↑	DIPB	DIB	No Chg	No Chg	?	?
WRITE_MODE_B=NO_CHANGE											
0	↑	DIPA	DIA	1	↑	DIPB	DIB	?	?	No Chg	No Chg
WRITE_MODE_A=WRITE_FIRST											
1	↑	DIPA	DIA	0	↑	DIPB	DIB	DIPA	DIA	?	?
WRITE_MODE_B=WRITE_FIRST											
0	↑	DIPA	DIA	1	↑	DIPB	DIB	?	?	DIPB	DIB
WRITE_MODE_A=WRITE_FIRST, WRITE_MODE_B=WRITE_FIRST											
1	↑	DIPA	DIA	1	↑	DIPB	DIB	?	?	?	?

Notes:

1. ADDRA=ADDRB, ENA=1, ENB=1, ?=Unknown or invalid data

Conflict Resolution

There is no dedicated monitor to arbitrate the result of identical addresses on both ports. The application must time the two clocks appropriately. However, conflicting simultaneous writes to the same location never cause any physical damage.

Block RAM Design Entry

Various tools help create Spartan-3 block RAM designs, two of which are the Xilinx CORE Generator system and VHDL or Verilog instantiation of the appropriate Xilinx library primitives.

Xilinx CORE Generator System

The Xilinx CORE Generator system provides both a Single Port Block Memory and a Dual Port Block Memory module generator, as shown in Figure 5-5. Both module generators support RAM, ROM, and Write Only functions, according to the control signals that are selected. Any size memory that can be created in the architecture is supported.

Both modules are parameterizable as with most CORE Generator modules. To create a module, specify the component name and choose to include or exclude control inputs, and choose the active polarity for the control inputs. For the Dual-Port Block Memory, once the organization or aspect ratio for Port A is selected, only the valid options for Port B are displayed.

Optionally, specify the initial memory contents. Unless otherwise specified, each memory location initializes to zero. Enter user-specified initial values via a Memory Initialization File, consisting of one line of binary data for every memory location. A default file is generated by the CORE Generator system. Alternatively, create a coefficients file (.coe), which not only defines the initial contents in a radix of 2, 10, or 16, but also defines all the other control parameters for the CORE Generator system.

The output from the CORE Generator system includes a report on the options selected and the device resources required. If a very deep memory is generated, some external multiplexing might be required, and these resources are reported as the number of logic slices required. In addition, the software reports the number of bits available in block RAM that are less than 100% utilized. For simulation purposes, the CORE Generator system creates VHDL or Verilog behavioral models.

- **CORE Generator:** [Single-Port Block Memory](#) module (RAM or ROM)
- **CORE Generator:** [Dual-Port Block Memory](#) module (RAM or ROM)

VHDL and Verilog Instantiation

VHDL and Verilog synthesis-based designs can either infer or directly instantiate block RAM, depending on the specific logic synthesis tool used to create the design.

Inferring Block RAM

Some VHDL and Verilog logic synthesis tools, such as the Xilinx Synthesis Tool (XST) and Synplify Synplify both infer block RAM based on the hardware described. The Xilinx ISE Project Navigator includes templates for inferring block RAM in your design. To use the templates within Project Navigator, select **Edit** → **Language Templates** from the menu, and then select **VHDL** or **Verilog**, followed by **Synthesis Templates** → **RAM** from the selection tree. Finally, select the preferred block RAM template.

It is still possible to directly instantiate block RAM, even if portions of the design infer block RAM.

Instantiation Templates

For VHDL- and Verilog-based designs, various instantiation templates are available to speed development. Within the Xilinx ISE Project Navigator, select **Edit** → **Language Templates** from the menu, and then select **VHDL** or **Verilog**, followed by **Component Instantiation** → **Block RAM** from the selection tree.

The appendices include example code showing how to instantiate block RAM in both VHDL and Verilog.

In VHDL, each template has a component declaration section and an architecture section. Each part of the template must be inserted within the VHDL design file. The port map of the architecture section must include the signal names used in the application.

The SelectRAM_Ax templates (with x = 1, 2, 4, 9, 18, or 36) are single-port modules and instantiate the corresponding RAMB16_Sx module.

SelectRAM_Ax_By templates (with $x = 1, 2, 4, 9, 18,$ or 36 and $y = 1, 2, 4, 9, 18,$ or 36) are dual-port modules and instantiate the corresponding RAMB16_Sx_Sy module.

Initialization in VHDL or Verilog Codes

Block RAM structures can be initialized in VHDL or Verilog code for both synthesis and simulation. For synthesis, the attributes are attached to the block RAM instantiation and are copied within the EDIF output file compiled by Xilinx tools. The VHDL code simulation uses a **generic** parameter to pass the attributes. The Verilog code simulation uses a **defparam** parameter to pass the attributes.

The VHDL and Verilog examples in the appendices illustrate these techniques.

Block RAM Applications

Typically, block RAM is used for a variety of local storage applications. However, the following section describes additional, perhaps less obvious block RAM capabilities, illustrating some powerful capabilities to spur the imagination.

Creating Larger RAM Structures

Block SelectRAM columns have specialized routing to allow cascading blocks with minimal routing delays. Wider or deeper RAM structures incur a small delay penalty. For examples of how to create wider block memories, see application note [XAPP229: Wider Block Memories](#), which includes a reference design.

Block RAM as Read-Only Memory (ROM)

By tying the write enable input Low, block RAM optionally functions as registered block ROM. The ROM outputs are synchronous and require a clock input and perform exactly like a block RAM read operation. The ROM contents are defined by the initial contents at design time.

After design compilation, the ROM contents can also be updated using the Data2BRAM utility described below.

FIFOs

First-In, First-Out (FIFO) memories, also known as elastic stores, are perhaps the most common application of block RAM, other than for random data storage. FIFOs typically resynchronize data, either between two different clock domains, or between two parts of a system that have different data rates, even though they operate from a single clock. The Xilinx CORE Generator system provides two parameterizable FIFO modules, one a synchronous FIFO where both the read and write clocks are synchronous to one another and the other an asynchronous FIFO where the read and write clocks are different.

Application note XAPP261 demonstrates that the FIFO read and write ports can be different data widths, integrating the data width converter into the FIFO.

Application note XAPP291 describes a self-addressing FIFO that is useful for throttling data in a continuous data stream.

- **CORE Generator:** [Synchronous FIFO](#) module
- **CORE Generator:** [Asynchronous FIFO](#) module
- [XAPP258: FIFOs Using Block RAM](#), includes reference design

- [XAPP261](#): *Data-Width Conversion FIFOs Using Block RAM Memory*, includes reference design
- [XAPP291](#): *Self-Addressing FIFO*

Storage for Embedded Processors

Block RAM also enables efficient embedded processor applications. RAM performs a variety of functions in an embedded processor such as those listed below.

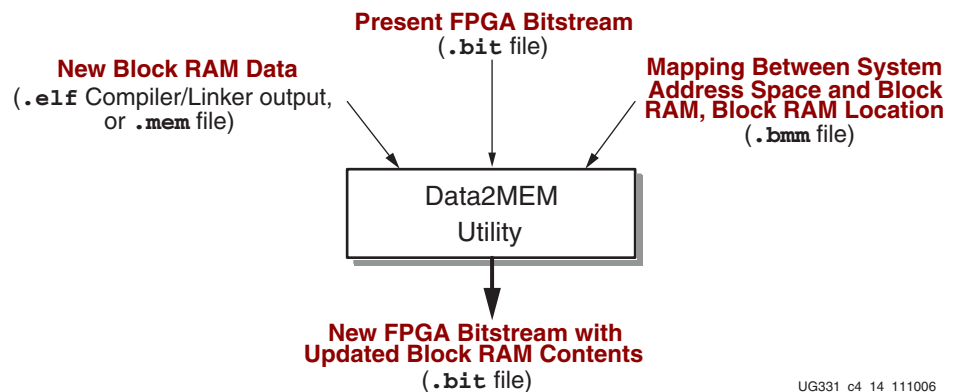
- Register file for processor register set, although for some processors, distributed RAM might be a preferred solution.
- Stack or LIFO for stack-based architectures and for call stacks.
- Fast, local code storage. The fast access time to internal block RAM significantly boosts the performance of embedded processors. However, on-chip storage is limited by the number of available block RAMs.
- Large dual-ported mailbox memory shared with external processor or DSP device.
- Temporary trace buffers (see “[Circular Buffers, Shift Registers, and Delay Lines](#)”) to ease and enhance application debugging.

Updating Block RAM/ROM Content by Directly Modifying Device Bitstream

In a typical design flow, the initial contents of block RAM/ROM is defined at design time and compiled into the device bitstream that is downloaded to and configures a Spartan-3 FPGA.

However, for some applications, the actual memory contents might not be known when the bitstream is created or might change later. One example is if a processor embedded with the Spartan-3 FPGA uses block RAM to store program code. To avoid recompiling the FPGA design just to incorporate a code change, Xilinx provides a utility called [Data2MEM](#) that updates an existing FPGA bitstream with new block RAM/ROM contents.

As shown in [Figure 5-20](#), the inputs to [Data2MEM](#) include the new RAM contents—typically the output from the embedded processor compiler/linker, the present FPGA bitstream, and a file that describes the mapping between the system address space and the addressing used on the individual block RAMs and the physical location of each block RAM.



UG331_c4_14_111006

Figure 5-20: The Data2BRAM Utility Updates Block RAM Contents in a Bitstream

Two Independent Single-Port RAMs Using One Block RAM

Some applications might require more single-port RAMs than there are RAM blocks on the device. However, a simple trick allows a single block RAM to behave as if it were two, completely independent single-port memories, effectively doubling the number of RAM blocks on the device. The penalty is that each RAM block is only half the size of the original block, up to 9K bits total.

Figure 5-21 shows how to create two independent single-port RAMs from one block RAM. Tie the most-significant address bit of one port High and the most-significant address bit of the other port Low. Both ports evenly split the available RAM between them.

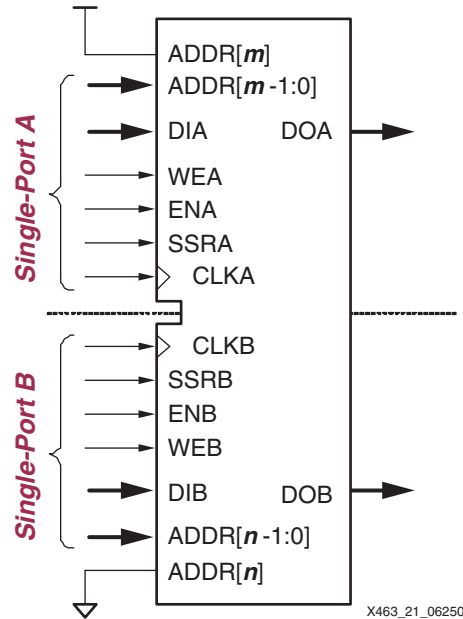


Figure 5-21: One Block RAM Becomes Two Independent Single-Port RAMs

Both ports are independent, each with its own memory organization, data inputs and outputs, clock input, and control signals. For example, Port A could be 256x36 while Port B is 2Kx4.

Figure 5-21 splits the available memory evenly between the two ports. With additional logic on the upper address lines, the memory can be split into other ratios.

A 256x72 Single-Port RAM Using One Block RAM

Figure 5-22 illustrates how to create a 256-deep by 72-bit wide single-port RAM using a single block RAM. As in the previous example, the memory array is split into halves. One half contains the lower 36 bits, and the upper half stores the upper 36 bits, effectively creating a 72-bit wide memory.

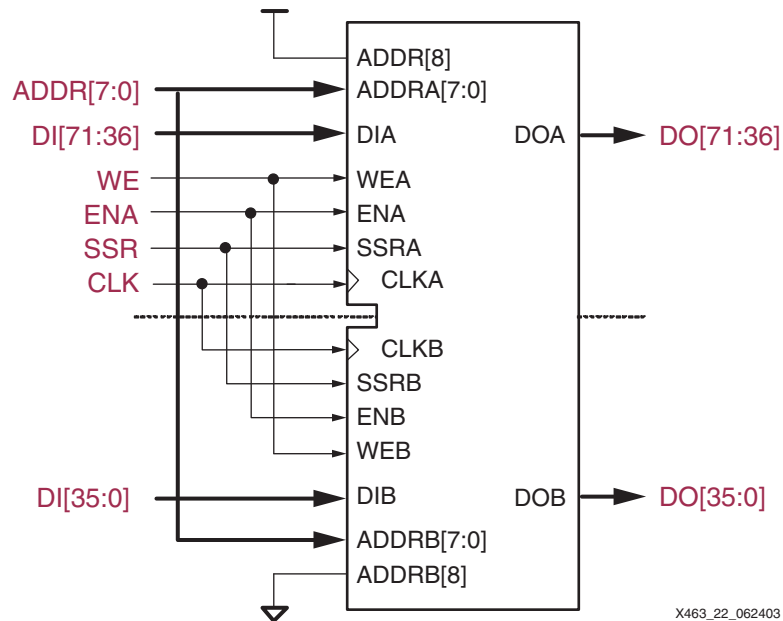


Figure 5-22: A 256x72 Single-Port RAM Using a Single Block RAM

The most-significant address line, ADDR[8] is tied High on one port and Low on the other. Both ports share the same the address inputs, control inputs, and clock input.

Circular Buffers, Shift Registers, and Delay Lines

Circular buffers are used in a variety of digital signal processing applications, such as finite impulse response (FIR) filters, multi-channel filtering, plus correlation and cross-correlation functions. Circular buffers are also useful simply for delaying data to resynchronize it with other parts of a data path.

Figure 5-23 conceptually describes how a circular buffer operates. Data is written into the buffer. After n clock cycles, that same data is clocked out of the buffer while new data is written to the same location.

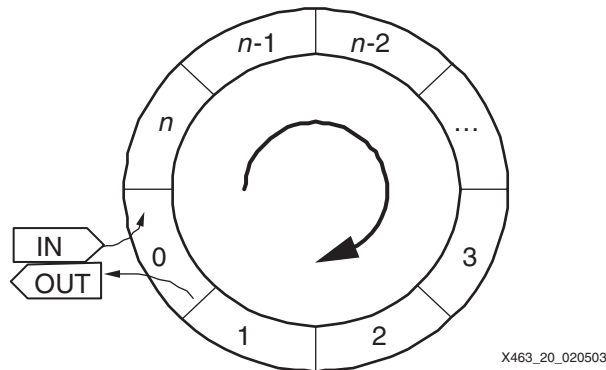


Figure 5-23: Circular Buffer

Figure 5-24 describes the hardware implementation to create a circular buffer using block RAM. A modulo- n counter drives the address inputs to a single-port block RAM. For simple data delay lines, the block RAM writes new data on every clock cycle.

The circular buffer also reads the delayed data value on every clock edge. Using block RAM's READ_FIRST write mode, both the incoming write data and the outgoing read data use the same clock input and the same clock edge, both simplifying the design and improving overall performance. The actual write and read behavior is described in Figure 5-17.

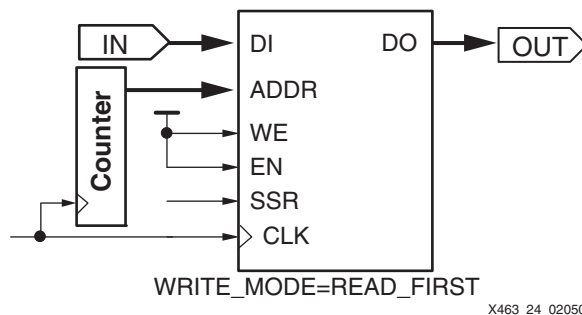


Figure 5-24: Circular Buffer Implementation Using Block RAM and Counter

In Figure 5-24, the width of the IN and OUT data ports is identical, although they do not need be. Using dual-port mode, the ports can be different widths. Figure 5-25 shows an example where byte-wide data enters the block RAM and a 32-bit word exits the block RAM. Furthermore, the data can be delayed up to 2,048 byte-clock cycles.

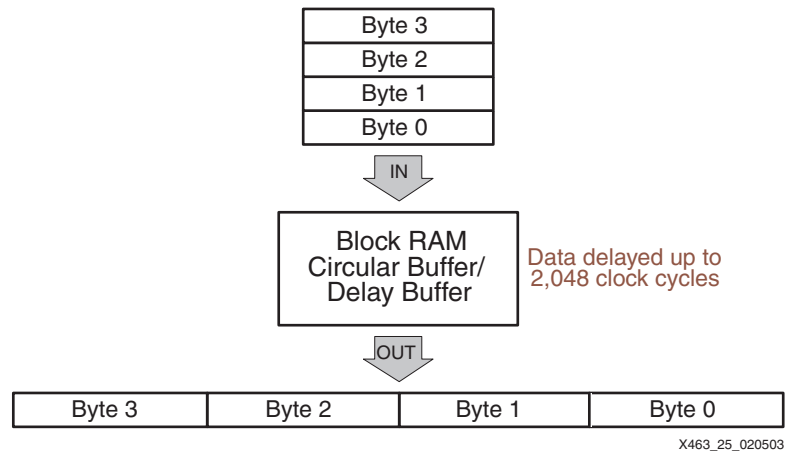


Figure 5-25: Merge Circular Buffer and Port-Width Converter into a Single Block RAM

A single block RAM is configured as dual-port memory. The incoming byte-wide data feeds Port B, which is configured as a 2Kx9 memory. The outgoing 32-bit data appears on Port A and consequently, Port A is configured as a 512x36 memory.

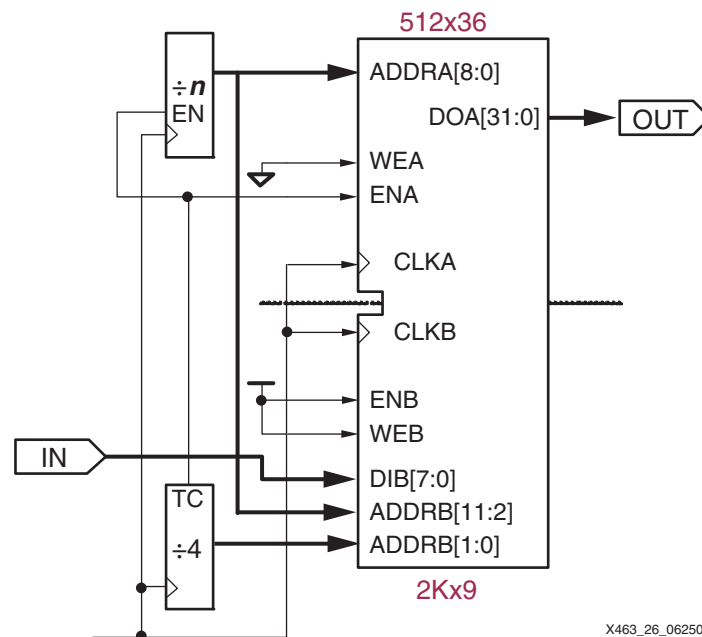


Figure 5-26: Incoming Byte-Wide Data is Delayed $4n$ Clock Cycles, Converted to 32-Bit Data

Manipulating the addresses that feeds both ports creates the $4n$ -byte clock delay. Every 32-bit output word requires four incoming bytes. Consequently, a divide-by-4 counter feeds the two lower address bits, ADDR[1:0]. After four bytes are stored, a terminal count, TC, from the lower counter enables Port A plus a separate divide-by- n counter. The enable signal latches the 32-bit output data on Port B and increments the upper counter. The combination of the divide-by-4 counter and the divide-by- n counter effectively create a divide-by- $4n$ counter. The output from the divide-by- n counter forms the more-significant address bits to Port B, ADDR[11:2] and the entire address to Port A, ADDRA[9:0].

Fast Complex State Machines and Microsequencers

Because block RAMs can be configured with any set of initial values, they also make excellent dual-ported registered ROMs that can be used as state machines. For example, a 128-state, 8-way branch finite state machine with 38 total state outputs, fits in a single block RAM, as shown in Figure 5-27.

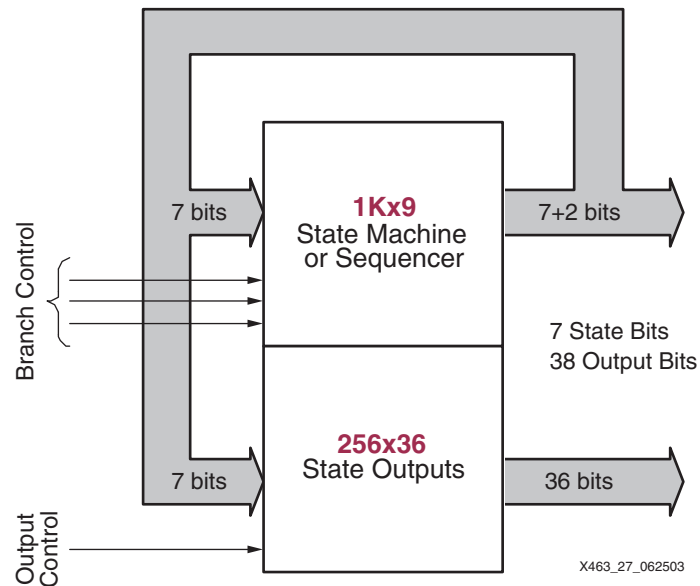


Figure 5-27: 128-State Finite State Machine with 38 Outputs in a Single Block RAM

A dual-port block RAM is divided into two completely independent half-size, single-port memories by tying the most-significant address bit of one port High and the other one Low, similar to Figure 5-21. Port A is configured as 2Kx9 but used as a 1Kx9 single-port ROM. Seven outputs feed back as address inputs, stepping through the 128 states. The 1Kx9 ROM has ten total address lines, seven of which are the current-state inputs and the remaining three address inputs determine the eight-way branch. Any of the 128 states can conditionally branch to any set of eight new states, under the control of these three address inputs.

Port B is configured as 512 x 36 and used as a 256 x 36 single-port ROM. It receives the same 7-bit current-state value from Port A, and drives 36 outputs that can be arbitrarily defined for each state. However, due to the synchronous nature of block ROM, the 36 outputs from the 256x36 ROM are delayed by one clock cycle. The eighth address input can invoke an alternate definition of the 36 outputs. Two additional state bits are available from the 1Kx9 block, but are not delayed by one clock.

This same basic architecture can be modified to form a 256-state finite state machine with four-way branch, or a 64-state state machine with 16-way branch.

If additional branch-control inputs are needed, they can be combined using an input multiplexer. The advantages of this design are its low cost (a single block RAM), its high performance (125+ MHz), the absence of layout or routing issues, and complete design freedom.

Fast, Long Counters Using RAM

A counter is an example of a simple state machine, where the next state depends only on the current state. A binary up counter, for example, simply increments the current state to create the next state. [Figure 5-28](#) shows a 20-bit binary up counter, with clock enable and synchronous reset, implemented in a single block RAM.

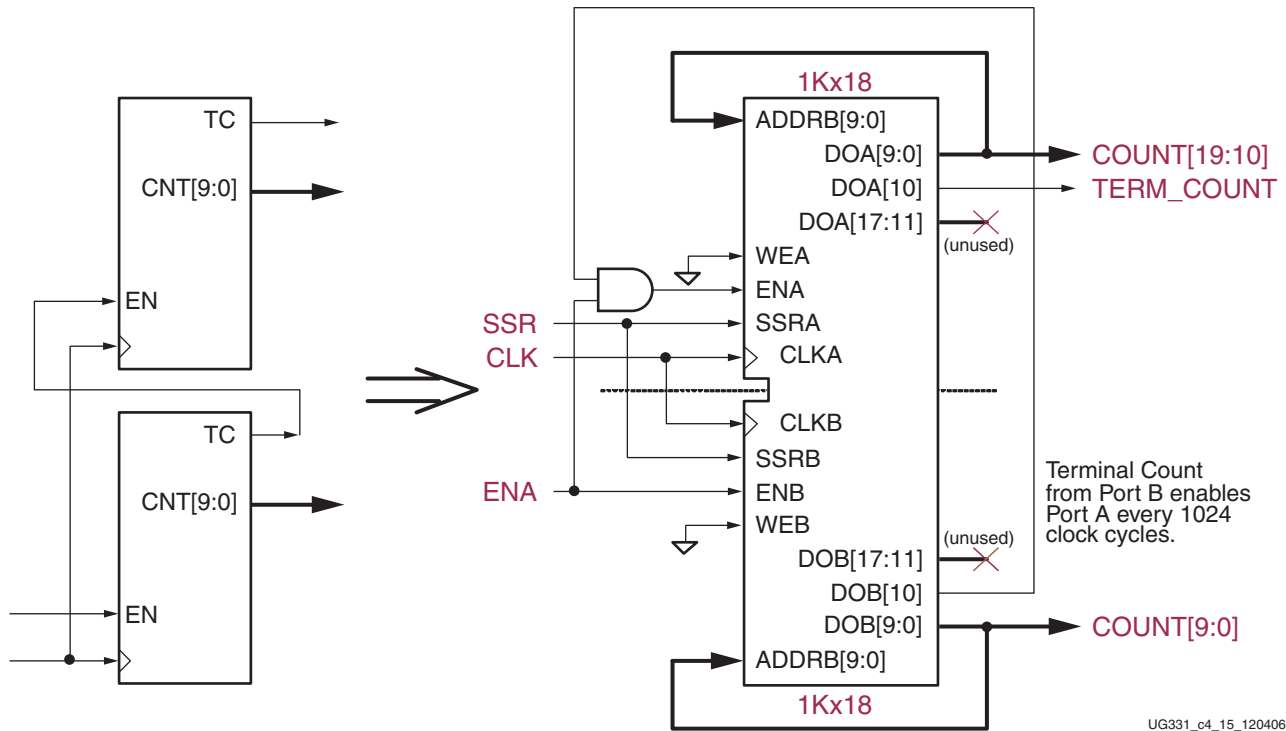


Figure 5-28: Two 10-Bit Counters Create a 20-Bit Binary Counter Using a Single Block RAM

A 20-bit binary counter can be constructed from two identical 10-bit binary counters, with the lower 10-bit counter enabling the upper 10-bit counter every 1024 clock cycles. In this example, Port B is a 1Kx18 ROM (WEB is Low) that forms the lower 10-bit counter. The 10 less-significant data outputs, representing the current state, connect directly to the 10 address inputs, ADDR[B:0]. The next state is looked up in the ROM using the current state applied to the address pins. The 11th data bit, D[10], forms the terminal-count output from the counter. In this example, the upper seven data bits, DOB[17:11] are unused.

The next-state logic for a binary counter appears in [Table 5-15](#). The counter starts at state 0—or the value specified by the INIT or SRVAL attributes—and counts through to 0x3FF (1023 decimal) at which time the terminal count, D[10], is active and the counter rolls over back to 0.

Table 5-15: Next-State Logic for Binary Up Counter

Current State	State Outputs	Next State
	TC	COUNT
ADDR[9:0] (Hex)	D[10]	D[9:0] (Hex)
0	0	1
1	0	2
2	0	3
...
3FFF	1	0



Port A is configured nearly identically to Port B, except that Port A is enabled by the terminal count output from Port B. The 10-bit counter in Port A has the identical counting pattern as Port B, except that it increments at 1/1024th the rate of Port B.

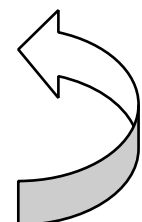
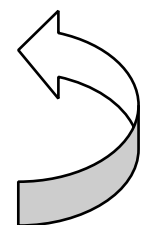
With a simple modification, the 20-bit up counter becomes an 18-bit up/down counter. Using the most-significant address input as a direction control, the same basic counter architecture either increments or decrements its count, as shown in Table 5-16. In this example, the counter increments when the Up/Down control is Low and decrements when High. The ROM is split between the incrementing and decrementing next-state logic.

Table 5-16: Next-State Logic for Binary Up/Down Counter

Up/Down Control	Present State	State Outputs	Next State
		TC	COUNT
ADDR[9]	ADDR[8:0] (Hex)	D[10]	D[9:0] (Hex)
0 (Up)	0	0	1
	1	0	2
	2	0	3

	1FFF	1	0
1 (Down)	1FFF	0	1FFE
	1FFE	0	1FFD
	1FFD	0	1FFC

	0	1	1FFF



Various other counter implementations are possible including the following:

- Binary up and up/down counters of various modulus determined by the combinations of the modulus of the counters implemented in Port A and Port B.

- Counters with other incrementing and decrementing patterns including fast gray-code counters.
- A six-digit BCD counter in one block ROM, configured as 512x36, plus one CLB.

Four-Port Memory

Each block RAM is physically a dual-port memory. However, due to the block RAM's fast access performance, it is possible to create multi-port memories by time-division multiplexing the signals in and out of the memory. A block RAM with some additional logic easily supports up to four ports but at the cost of additional access latency for each port. The following application note provides additional details and a reference design.

- [XAPP228](#): *Quad-Port Memories in Virtex Devices*, includes reference design

Content-Addressable Memory (CAM)

Content-Addressable Memory (CAM), sometimes known as associative memory, is used in a variety of networking and data processing applications. In most memory applications, content is referenced by an address. In CAM applications, the content is the driving input and the output indicates whether or not the content exists in memory and, if so, provides a reference to its location.

An easy way to envision how a CAM operates is to think of an index to a book. Looking up an item, i.e., the content, first determines whether the item exists in the index, and if it does, provides a reference to its location, i.e., the page number of where the item can be found.

- **CORE Generator:** [Content-Addressable Memory](#) module
- [XAPP260](#): *Using Block RAM for High-Performance Read/Write CAMs*
- [XAPP201](#): *An Overview of Multiple CAM Designs*, written for Virtex/Virtex-E and Spartan-II/Spartan-III architectures but provides a useful overview to the techniques involved

Implementing Logic Functions Using Block RAM

Inside every Spartan-3 logic cell, there is a four-input RAM/ROM called a look-up table or LUT. The LUT performs any possible logic function of its four inputs and forms the basis of the Spartan-3 logic architecture.

Another possible application for block RAM is as a much larger look-up table. In one of its organizations, a block RAM—used as ROM in this case—has 14 inputs and a single output. Consequently, block RAM is capable of implementing any possible arbitrary logic function of up to 14 inputs, regardless of the complexity and regardless of inversions. There are a few restrictions, however.

- There cannot be any asynchronous feedback paths in the logic, such as those that create latches.
- The logic output must be synchronized to a clock input. Block RAM does not support asynchronous read outputs.

If the logic function meets these requirements, then a single block RAM implements the following functions.

- Any possible Boolean logic function of up to 14 inputs.
- Nine separate arbitrary Boolean logic functions of 11 inputs, as long as the inputs are shared.

- Various other combinations are possible, but might have restrictions to the number of inputs, the number of shared inputs, or the complexity of the logic function.

Due to the flexibility and speed of CLB logic, block RAM might not be faster or more efficient for simple wide functions like an address decoder, where multiple inputs are ANDed together. Block RAM is faster and more efficient for complex logic functions, such as majority decoders, pattern matching, and correlators.

Fuzzy Pattern Matching Circuit Example

For example, Figure 5-29 illustrates a fuzzy pattern matching circuit that detects both exact matches and those patterns that are close enough. Each incoming bit is matched against the required MATCH pattern. Then, any “don’t care” bits are masked off, indicating that the specific bit should always match. Then, the number of matching bits is counted and compared against an activation threshold. If the number of matching bits is greater than the activation threshold, then the input data mostly matches the required pattern and the MATCH output goes High.

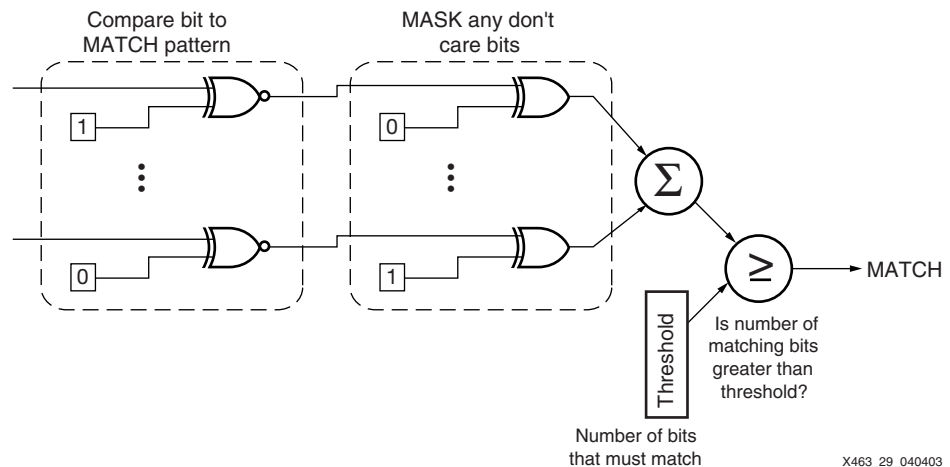


Figure 5-29: A 14-Input Fuzzy Pattern Matching Circuit Implemented in a Single Block RAM

If the application requires a new matching pattern or different logic function, it could be loaded via the second memory port.

Implemented in CLB logic, this function would require numerous logic cells and multiple layers of logic. However, because the MATCH, MASK, and Threshold values are known in advance, the function can be pre-computed and then stored in block RAM. For each input condition, i.e., starting at address 0 and incremented through the entire memory, the output condition can be precomputed. A 14-input fuzzy pattern matching circuit requires a single block RAM and performs the operation in a single clock cycle.

Mapping Logic into Block RAM Using **MAP -bp** Option

The Xilinx ISE software does not automatically attempt to map logic functions into block RAM. However, there is a mapping option to aid the process.

The block RAM mapping option is enabled when using the **MAP -bp** option. If so enabled, the Xilinx ISE logic mapping software attempts to place LUTs and attached flip-flops into an unused single-output, single-port block RAM. The final flip-flop output is required as block RAMs have a synchronous, registered output. The mapping software packs the flip-

flop with whatever LUT logic is driving it. No register is packed into block RAM without LUT logic, and vice versa.

To specify which register outputs are converted to block RAM outputs, create a file containing a list of the net names connected to the register output(s). Set the environment variable `XIL_MAP_BRAM_FILE` to the file name, which instructs the mapping software to use this file. The MAP program looks for this environment variable whenever the `-bp` option is specified. Only those output nets listed in the file are converted into block RAM outputs.

- **PCs:**

```
set XIL_MAP_BRAM_FILE=file_name
```

- **Workstations:**

```
setenv XIL_MAP_BRAM_FILE file_name
```

Waveform Storage, Function Tables, Direct Digital Synthesis (DDS) Using Block RAM

Another powerful block RAM application is waveform storage, including function tables such as trigonometric functions like sine and cosine. Sine and cosine form the backbone of other functions such as direct digital synthesis (DDS) to generate output waveforms. The Xilinx CORE Generator system provides parameterizable modules for both:

- **CORE Generator:** [Sine/Cosine Look-Up Table](#) module
- **CORE Generator:** [Direct Digital Synthesizer \(DDS\)](#) module

Another potential application of waveform storage is in various signal companders (compressors/expanders) and normalization circuits used to boost important parts of a signal within the available bandwidth. Examples include converters between linear data, u-Law encoded data, and A-Law encoded data commonly used in telecommunications.

The dual-port nature of block RAM not only facilitates waveform storage, it also enables an application to update the waveform, either with a completely new waveform or with corrected or normalized waveform data. In the example shown in [Figure 5-30](#), Port A initially contains the currently active waveform. The application can load a new waveform on Port B.

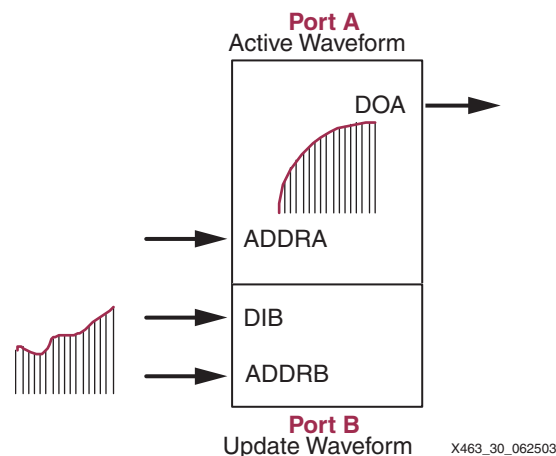


Figure 5-30: Dual-Port Block RAM Facilitates Waveform Storage and Updates

As in real-world engineering, sometimes it is faster to look up an answer than deriving it. The same is true in digital designs. Block RAM is also useful for storing pre-computed function tables where the output, y , is a function of the input, x , or $y=f(x)$.

For example, instead of creating the CLB logic that implements the following polynomial equation, the function can be precomputed and stored in a block RAM.

$$Y = Ax^3 - Bx^2 + Cx + D$$

The values A, B, C, and D are all constants. The output, y , depends only on the input, x . The output value can be precomputed for each input value of x and stored in memory. There are obvious limitations as the function might not fit in a single logic block either because of the range of values for x , or the magnitude of the output, y . For example, a 512x36 block ROM implements the above equation for input values between 0 and 511. The range of x is limited by its exponential effect on y . With x at its maximum value for this specific example, y requires at least 28 output bits.

Some other look-up functions possible in a single block RAM/ROM include the following:

- Various complex arithmetic functions of a single input, including mixtures of functions such as $\log(x)$, $\text{square-root}(x)$. Multipliers of two values are possible but are typically limited by the number of block RAM inputs. The Spartan-3 embedded 18x18 multipliers are a better solution for pure multiplication functions.
- Two independent 11-bit binary to 4-digit BCD converters with the block ROM configured as 1Kx18. The least-significant bit (LSB) of each converter bypasses the ROM as the converted result is the same as the original value, i.e., the LSB indicates whether the value is odd or even.
- Two independent 3-digit BCD to 10-bit binary converters with the block ROM configured as 2Kx9 and the LSBs bypass the converters.
- Sine-cosine look-up tables using one port for sine and the other one for cosine with 90 degree-shifted addresses, 18-bit amplitude, and 10-bit angular resolution.
- Two independent 10-bit binary to three-digit, seven-segment LED output converter with the block ROM configured as 1Kx18. Leading zeros are displayed as blanks. Because input values are limited to 1023, the LED digits display from "0" to "3FF". Consequently, the logic for the most-significant digit requires only four inputs (segment a=d=g, segment f is always High).

Related Materials and References

- [Creative Uses of Block RAM](#) by Peter Alfke, Xilinx, Inc.
- *The Myriad Uses of Block RAM* by Jan Gray, Gray Research, LLC.
<http://www.fpgacpu.org/usenet/bb.html>
- *Spartan-3A and Spartan-3A DSP FPGA Libraries Guide for HDL Designs*, for ISE 10 software, by Xilinx, Inc.
http://www.xilinx.com/itp/xilinx10/books/docs/spartan3a_hdl/spartan3a_hdl.pdf
This document is also located within Project Navigator by selecting **Help** → **Software Manuals**. When the Acrobat document appears, click on a **Libraries Guide** from the table of contents on the left.

Conclusion

The Spartan-3 generation FPGA's abundant, fast, and flexible block RAMs provide invaluable on-chip local storage for scratchpad memories, FIFOs, buffers, look-up tables,

and much more. Using unique capabilities, block RAM implements such functions as shift registers, delay lines, counters, and wide, complex logic functions.

Block RAM is supported in applications using the broad spectrum of Xilinx ISE development software, including the CORE Generator system and can be inferred or directly instantiated in VHDL or Verilog synthesis designs.

Appendix A: VHDL Instantiation Example

The following VHDL instantiation example XC3S_RAMB_1_PORT uses the SelectRAM_A36.vhd VHDL template. This and other templates are available for download from the following Web link. The following example is a VHDL code snippet and will not compile as is.

- [xapp463_vhdl.zip](#)
- ```
-- Module: XC3S_RAMB_1_PORT
-- Description: 18Kb Block SelectRAM example
-- Single Port 512 x 36 bits
-- Use template "SelectRAM_A36.vhd"
--
-- Device: Spartan-3 Family

library IEEE;
use IEEE.std_logic_1164.all;
--
-- pragma translate_off
library UNISIM;
use UNISIM.VCOMPONENTS.ALL;
-- pragma translate_on
--
entity XC3S_RAMB_1_PORT is
port (
 DATA_IN : in std_logic_vector (35 downto 0);
 ADDRESS : in std_logic_vector (8 downto 0);
 ENABLE : in std_logic;
 WRITE_EN : in std_logic;
 SET_RESET : in std_logic;
 CLK : in std_logic;
 DATA_OUT : out std_logic_vector (35 downto 0)
);
end XC3S_RAMB_1_PORT;
--
architecture XC3S_RAMB_1_PORT_arch of XC3S_RAMB_1_PORT is
--
-- Components Declarations:
--
component BUFG
port (
 I : in std_logic;
 O : out std_logic
);
end component;
--
component RAMB16_S36
-- pragma translate_off
generic (
 -- "Read during Write" attribute for functional simulation
 WRITE_MODE : string := "READ_FIRST" ; -- WRITE_FIRST(default)/ READ_FIRST/
 NO_CHANGE
 -- Output value after configuration
 INIT : bit_vector(35 downto 0) := X"0000000000";
 -- Output value if SSR active
```









# Using Look-Up Tables as Distributed RAM

---

## Summary

Each Spartan®-3 generation Configurable Logic Block (CLB) contains up to 64 bits of single-port RAM or 32 bits of dual-port RAM. This RAM is distributed throughout the FPGA and is commonly called “distributed RAM” to distinguish it from the 18-Kbit block RAM. Distributed RAM is also referred to as LUT RAM. Distributed RAM is fast, localized, and ideal for small data buffers, FIFOs, or register files. This chapter describes the features and capabilities of distributed RAM and illustrates how to specify the various options using the Xilinx CORE Generator system or via VHDL or Verilog instantiation.

## Introduction

In addition to the embedded 18-Kbit block RAMs, Spartan-3 generation FPGAs feature distributed RAM within each Configurable Logic Block (CLB). Each SLICEM function generator or LUT within a CLB resource optionally implements a 16-deep  $\times$  1-bit synchronous RAM. The LUTs within a SLICEL slice do not have distributed RAM.

Distributed RAM writes synchronously and reads asynchronously. However, if required by the application, use the register associated with each LUT to implement a synchronous read function. Each 16  $\times$  1-bit RAM is cascadable for deeper and/or wider memory applications, with a minimal timing penalty incurred through specialized logic resources.

Spartan-3 generation CLBs support various RAM primitives up to 64-deep by 1-bit-wide. Two LUTs within a SLICEM slice combine to create a dual-port 16 $\times$ 1 RAM—one LUT with a read/write port, and a second LUT with a read-only port. One port writes into both 16 $\times$ 1 LUT RAMs simultaneously, but the second port reads independently.

Distributed RAM is crucial to many high-performance applications that require relatively small embedded RAM blocks, such as FIFOs or small register files. The Xilinx CORE Generator software automatically generates optimized distributed RAMs for the Spartan-3 generation architecture. Similarly, the CORE Generator system creates Asynchronous and Synchronous FIFOs using distributed RAMs.

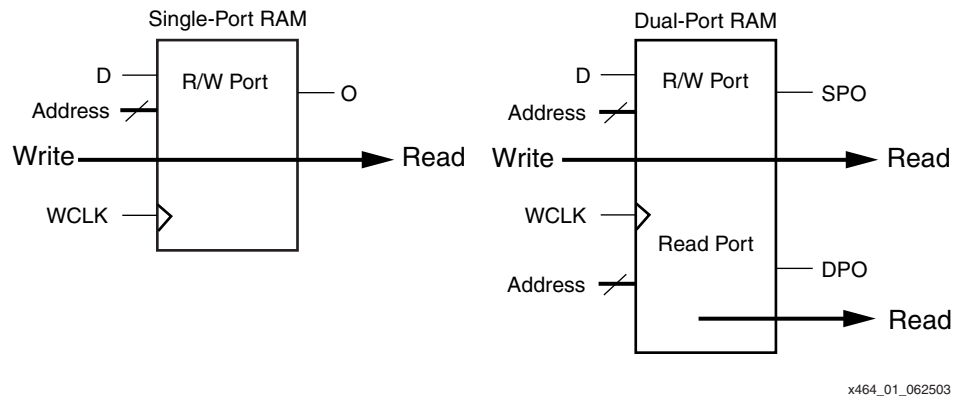
## Single-Port and Dual-Port RAMs

### Data Flow

Distributed RAM supports the following memory types:

- Single-port RAM with synchronous write and asynchronous read. Synchronous reads are possible using the flip-flop associated with distributed RAM.
- Dual-port RAM with one synchronous write and two asynchronous read ports. As above, synchronous reads are possible.

As illustrated in [Figure 6-1](#), dual-port distributed RAM has one read/write port and an independent read port.



*Figure 6-1: Single-Port and Dual-Port Distributed RAM*

Any write operation on the D input and any read operation on the SPO output can occur simultaneously with and independently from a read operation on the second read-only port, DPO.

## Write Operations

The write operation is a single clock-edge operation, controlled by the write-enable input, WE. By default, WE is active High, although it can be inverted within the distributed RAM. When the write enable is High, the clock edge latches the write address and writes the data on the D input into the selected RAM location.

When the write enable is Low, no data is written into the RAM.

## Read Operation

A read operation is purely combinatorial. The address port—either for single- or dual-port modes—is asynchronous with an access time equivalent to a LUT logic delay.

## Read During Write

When synchronously writing new data, the output reflects the data as it is written to the addressed memory cell, which is similar to the WRITE\_MODE=WRITE\_FIRST (transparent) mode on the Spartan-3 generation block RAMs. The timing diagram in [Figure 6-2](#) illustrates a write operation with the previous data read on the output port, before the clock edge, followed by the new data.



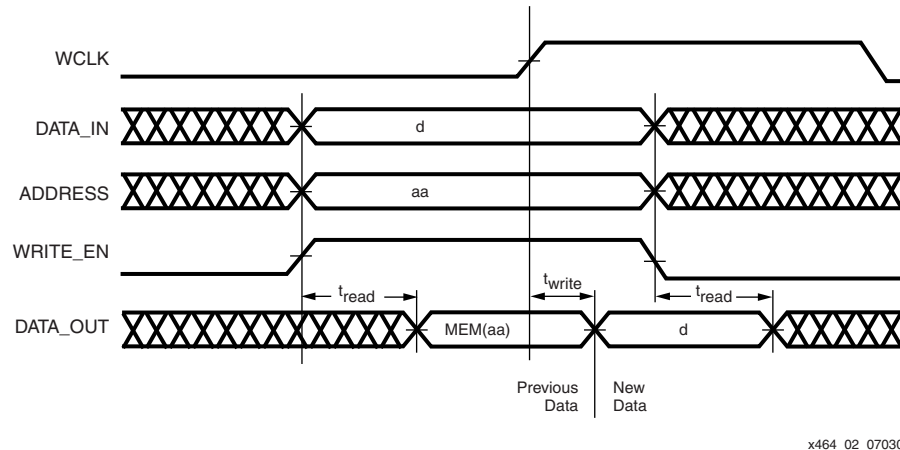


Figure 6-2: Write Timing Diagram

## Characteristics

- A write operation requires only one clock edge.
- A read operation requires only the logic access time.
- Outputs are asynchronous and dependent only on the LUT logic delay.
- Data and address inputs are latched with the write clock and have a setup-to-clock timing specification. There is no hold time requirement.
- For dual-port RAM, the A[#:0] port is the write and read address, and the DPRA[#:0] port is an independent read-only address.

## Distributed RAM in the CLB

The distributed RAM takes advantage of the resources described in [Chapter 4, “Using Configurable Logic Blocks \(CLBs\).”](#) One SLICEM LUT stores 16 bits (RAM16). The four LUT inputs F[4:1] or G[4:1] become the address lines labeled A[4:1] in the device model and A[3:0] in the design components, providing a 16x1 configuration in one LUT. Multiple SLICEM LUTs can be combined in various ways to store larger amounts of data, including 16x4, 32x2, or 64x1 configurations in one CLB. The fifth and sixth address lines required for the 32-deep and 64-deep configurations, respectively, are implemented using the BX and BY inputs, which connect to the write enable logic for writing and the F5MUX and F6MUX for reading.

Writing to distributed RAM is always synchronous to the SLICEM clock (WCLK for distributed RAM) and enabled by the SLICEM SR input which functions as the active-High write enable (WE). The read operation is asynchronous, and, therefore, during a write, the output initially reflects the old data at the address being written.

The distributed RAM outputs can be captured using the flip-flops within the SLICEM element. The WE control for the RAM and the clock-enable (CE) control for the flip-flop are independent, but the WCLK and CLK clock inputs are shared. Because the RAM read operation is asynchronous, the output data always reflects the currently addressed RAM location.

A dual-port option combines two LUTs so that memory access is possible from two independent data lines. The same data is written to both 16x1 memories but they have independent read address lines and outputs. The dual-port function is implemented by

cascading the G-LUT address lines, which are used for both read and write operations, to the F-LUT write address lines (WF[4:1] in [Figure 4-2, page 154](#)), and by cascading the G-LUT data input DI through the DIF\_MUX in [Figure 4-2](#) and to the DI input on the F-LUT. One CLB provides a 16x1 dual-port memory as shown in [Figure 6-5, page 220](#).

The INIT attribute can be used to preload the memory with data during FPGA configuration. The default initial contents for RAM is all zeros. If WE is held Low, the element can be considered a ROM. The ROM function can be implemented in the SLICEL.

## Distributed RAM Differences between Spartan-3 Generation Families

The distributed RAM is identical among all Spartan-3 generation families. There are different amounts of distributed RAM per device (see [Table 6-1](#)). The performance varies slightly between families due to minor variations in processing and characterization.

**Table 6-1: Distributed RAM Resources by FPGA Family and Device**

| Feature                           | Distributed RAM Blocks | Distributed RAM Bits |
|-----------------------------------|------------------------|----------------------|
| <b>Extended Spartan-3A Family</b> |                        |                      |
| XC3SD1800A                        | 16,640                 | 266,240              |
| XC3SD3400A                        | 23,872                 | 381,952              |
| XC3S50A/AN                        | 704                    | 11,264               |
| XC3S200A/AN                       | 1,792                  | 28,672               |
| XC3S400A/AN                       | 3,584                  | 57,344               |
| XC3S700A/AN                       | 5,888                  | 94,208               |
| XC3S1400A/AN                      | 11,264                 | 180,224              |
| <b>Spartan-3E Family</b>          |                        |                      |
| XC3S100E                          | 960                    | 15,360               |
| XC3S250E                          | 2,448                  | 39,168               |
| XC3S500E                          | 4,656                  | 74,496               |
| XC3S1200E                         | 8,672                  | 138,752              |
| XC3S1600E                         | 14,752                 | 236,032              |
| <b>Spartan-3 Family</b>           |                        |                      |
| XC3S50                            | 768                    | 12,288               |
| XC3S200                           | 1,920                  | 30,720               |
| XC3S400                           | 3,584                  | 57,344               |
| XC3S1000                          | 7,680                  | 122,880              |
| XC3S1500                          | 13,312                 | 212,992              |
| XC3S2000                          | 20,480                 | 327,680              |

**Table 6-1: Distributed RAM Resources by FPGA Family and Device (Continued)**

| Feature  | Distributed RAM Blocks | Distributed RAM Bits |
|----------|------------------------|----------------------|
| XC3S4000 | 27,648                 | 442,368              |
| XC3S5000 | 33,280                 | 532,480              |

## Compatibility with Other Xilinx FPGA Families

Each Spartan-3 generation distributed RAM operates identically to the distributed RAM found in Virtex®, Virtex-E, Spartan-II, Spartan-IIE, Virtex-II, and Virtex-II Pro FPGAs.

Table 6-2 shows the basic memory capabilities embedded within the CLBs on various Xilinx FPGA families. Like Virtex-II/Virtex-II Pro FPGAs, Spartan-3 generation CLBs have eight LUTs and implement 128 bits of ROM memory. Like the Virtex/Virtex-E and Spartan-II/Spartan-IIE FPGAs, Spartan-3 generation CLBs have 64 bits of distributed RAM. Although the Spartan-3 and Virtex-II/Virtex-II Pro CLBs are identical for logic functions, the Spartan-3 generation CLBs have half the amount of distributed RAM within each CLB.

**Table 6-2: Distributed Memory Features by FPGA Family**

| Feature                      | Spartan-3 Generation | Virtex/Virtex-E, Spartan-II/Spartan-IIE Families | Virtex-II, Virtex-II Pro Families | Virtex-4 Family | Virtex-5 Family |
|------------------------------|----------------------|--------------------------------------------------|-----------------------------------|-----------------|-----------------|
| LUTs per CLB                 | 8                    | 4                                                | 8                                 | 8               | 8               |
| ROM bits per CLB             | 128                  | 64                                               | 128                               | 128             | 256             |
| Single-port RAM bits per CLB | 64                   | 64                                               | 128                               | 64              | 256             |
| Dual-port RAM bits per CLB   | 32                   | 32                                               | 64                                | 32              | 128             |

Table 6-3 lists the various single- and dual-port distributed RAM primitives supported by the different Xilinx FPGA families. For each type of RAM, the table indicates how many instances of a particular primitive fit within a single CLB. For example, two 32x1 single-port RAM primitives fit in a single Spartan-3 generation CLB. Similarly, two 16x1 dual-port RAM primitives fit in a Spartan-3 generation CLB but a single 32x1 dual-port RAM primitive does not.

**Table 6-3: Single- and Dual-port RAM Primitives Supported in a CLB by Family**

| Family                                                | Single-Port RAM |      |      |       | Dual-Port RAM |      |      |
|-------------------------------------------------------|-----------------|------|------|-------|---------------|------|------|
|                                                       | 16x1            | 32x1 | 64x1 | 128x1 | 16x1          | 32x1 | 64x1 |
| Spartan-3 Generation FPGAs                            | 4               | 2    | 1    | -     | 2             | -    | -    |
| Spartan-II/Spartan-IIE FPGAs<br>Virtex/Virtex-E FPGAs | 4               | 2    | 1    | -     | 2             | -    | -    |
| Virtex-II/Virtex-II Pro FPGAs                         | 8               | 4    | 2    | 1     | 4             | 2    | 1    |
| Virtex-4 FPGAs                                        | 4               | 2    | 1    | -     | 2             | -    | -    |
| Virtex-5 FPGAs                                        | 8               | 6    | 4    | 2     | 4             | 4    | 2    |

## Library Primitives

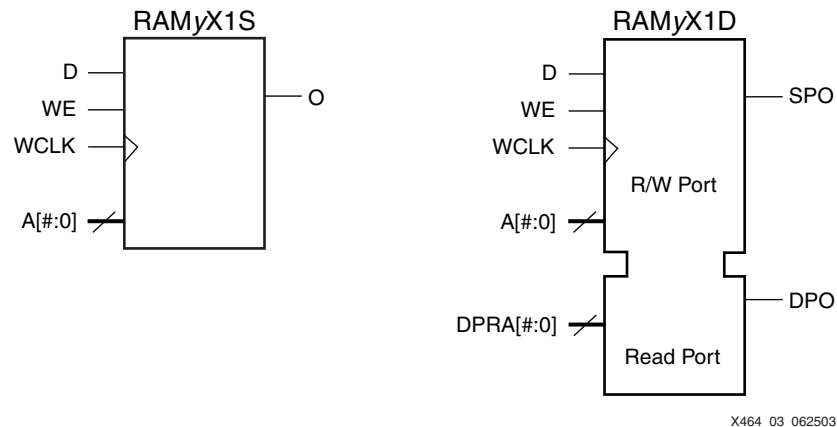
There are four library primitives that support Spartan-3 generation distributed RAM, ranging from 16 bits deep to 64 bits deep. All the primitives are one bit wide. Three primitives are single-port RAMs and one primitive is dual-port RAM, as shown in Table 6-4.

Table 6-4: Single-Port and Dual-Port Distributed RAMs

| Primitive | RAM Size (Depth x Width) | Type        | Address Inputs         |
|-----------|--------------------------|-------------|------------------------|
| RAM16X1S  | 16 x 1                   | Single-port | A3, A2, A1, A0         |
| RAM32X1S  | 32 x 1                   | Single-port | A4, A3, A2, A1, A0     |
| RAM64X1S  | 64 x 1                   | Single-port | A5, A4, A3, A2, A1, A0 |
| RAM16X1D  | 16 x 1                   | Dual-port   | A3, A2, A1, A0         |

The input and output data are one bit wide. However, several distributed RAMs, connected in parallel, easily implement wider memory functions.

Figure 6-3 shows generic single-port and dual-port distributed RAM primitives. The A[#:0] and DPRA[#:0] signals are address buses.



X464\_03\_062503

Figure 6-3: Single-Port and Dual-Port Distributed RAM Primitives

Table 6-5: Dual-Port RAM Function

| Inputs    |      |   | Outputs |        |
|-----------|------|---|---------|--------|
| WE (mode) | WCLK | D | SPO     | DPO    |
| 0 (read)  | X    | X | data_a  | data_d |
| 1 (read)  | 0    | X | data_a  | data_d |
| 1 (read)  | 1    | X | data_a  | data_d |
| 1 (write) | ↑    | D | D       | data_d |
| 1 (read)  | ↓    | X | data_a  | data_d |

**Notes:**

1. data\_a = word addressed by bits A#-A0.
2. data\_d = word addressed by bits DPRA#-DPRA0.

As shown in Table 6-6, wider library primitives are available for 2-bit and 4-bit RAMs.

Table 6-6: Wider Library Primitives

| Primitive | RAM Size<br>(Depth x Width) | Data Inputs    | Address Inputs     | Data Outputs   |
|-----------|-----------------------------|----------------|--------------------|----------------|
| RAM16X2S  | 16 x 2                      | D1, D0         | A3, A2, A1, A0     | O1, O0         |
| RAM32X2S  | 32 x 2                      | D1, D0         | A4, A3, A2, A1, A0 | O1, O0         |
| RAM16X4S  | 16 x 4                      | D3, D2, D1, D0 | A3, A2, A1, A0     | O3, O2, O1, O0 |

## Signal Ports

Each distributed RAM port operates independently of the other while reading the same set of memory cells.

### Clock — WCLK

The clock is used for synchronous writes. The data and the address input pins have setup times referenced to the WCLK pin. Active on the positive edge by default with built-in programmable polarity.

### Enable — WE

The enable pin affects the write functionality of the port. An inactive Write Enable prevents any writing to memory cells. An active Write Enable causes the clock edge to write the data input signal to the memory location pointed to by the address inputs. Active High by default with built-in programmable polarity.

### Address — A0, A1, A2, A3 (A4, A5, A6, A7)

The address inputs select the memory cells for read or write. The width of the port determines the required address inputs.

**Note:** The address inputs are not a bus in VHDL or Verilog instantiations.

### Dual-Port Read Address — DPRA0, DPRA1, DPRA2, DPRA3

On the RAM16X1D, the dual-port address inputs select the memory cells for reading on the DPO output. Does not affect the write process.

### Data In — D

The data input provides the new data value to be written into the RAM.

### Data Out — O, SPO, and DPO

The data output O on single-port RAM or the SPO and DPO outputs on dual-port RAM reflects the contents of the memory cells referenced by the address inputs. Following an active write clock edge, the data out (O or SPO) reflects the newly written data. Registered outputs use the available flip-flop within the SLICEM element.

## Inverting Control Pins

The two control pins, WCLK and WE, each have an individual inversion option. Any control signal, including the clock, can be active at logic level 0 (negative edge for the clock) or at logic level 1 (positive edge for the clock) without requiring other logic resources.

## Global Set/Reset — GSR

The global set/reset (GSR) signal does not affect distributed RAM modules.

## Global Write Enable — GWE

The global write enable signal, GWE, is asserted automatically at the end of device configuration to enable all writable elements. The GWE signal guarantees that the initialized distributed-RAM contents are not disturbed during the configuration process. GWE is also used to ensure that Distributed RAM maintains its value during the Spartan-3A/3AN/3A DSP Suspend mode.

Because GWE is a global signal and automatically connected throughout the device, the distributed RAM primitive does not have a GWE input pin.

## Attributes

### Content Initialization — INIT

By default, distributed RAM is initialized with all zeros during the device configuration sequence. To specify [non-zero] initial memory contents after configuration, use the INIT attributes. Each INIT is a hexadecimal-encoded bit vector, arranged from most-significant to least-significant bit. In other words, the right-most hexadecimal character represents RAM locations 3, 2, 1, and 0. [Table 6-7](#) shows the length of the INIT attribute for selected primitives.

**Table 6-7: INIT Attributes Length**

| Primitive | Template | INIT Attribute Length |
|-----------|----------|-----------------------|
| RAM16X1S  | RAM_16S  | 4 digits              |
| RAM32X1S  | RAM_32S  | 8 digits              |
| RAM64X1S  | RAM_64S  | 16 digits             |
| RAM16X1D  | RAM_16D  | 4 digits              |

The INIT attribute is required for any ROM instantiation. The ROM is initialized to the INIT value at configuration and does not change during operation. For example, on a ROM16X1, the parameter INIT = 10A7 produces the following datastream:

```
0001 0000 1010 0111
```

## Placement Location — LOC

Each Spartan-3 generation CLB contains four slices, each with its own location coordinate, as shown in Figure 6-4. Distributed RAM fits only in SLICEM slices. The 'M' in SLICEM indicates that the slice supports memory-related functions and distinguishes SLICEMs from SLICELs. The 'L' indicates that the slice supports logic only although the SLICEL can also support ROM.

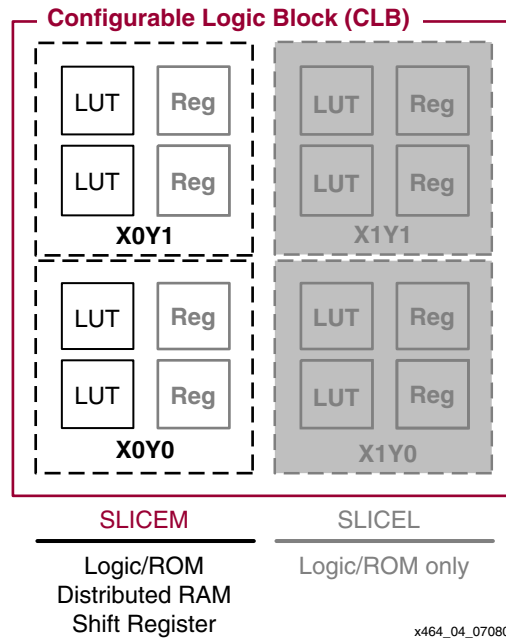


Figure 6-4: SLICEM Slices within a Spartan-3 Generation CLB

When a LOC property is assigned to a distributed RAM instance, the Xilinx ISE® software places the instance in the specified location. Figure 6-4 shows the X,Y coordinates for the slices in a Spartan-3 generation CLB. Again, only SLICEM slices support memory.

Distributed RAM placement locations use the slice location naming convention, allowing LOC properties to transfer easily from array to array.

For example, the single-port RAM16X1S primitive fits in any LUT within any SLICEM. To place the instance U\_RAM16 in slice X0Y0, use the following LOC assignment:

```
INST "U_RAM16" LOC = "SLICE_X0Y0";
```

The 16x1 dual-port RAM16X1D primitive requires both 16x1 LUT RAMs within a single SLICEM slice, as shown in Figure 6-5. The first 16x1 LUT RAM, with output SPO, implements the read/write port controlled by address A[3:0] for read and write. The second LUT RAM implements the independent read-only port controlled by address DPRA[3:0]. Data is presented simultaneously to both LUT RAMs, again controlled by address A[3:0], WE, and WCLK.

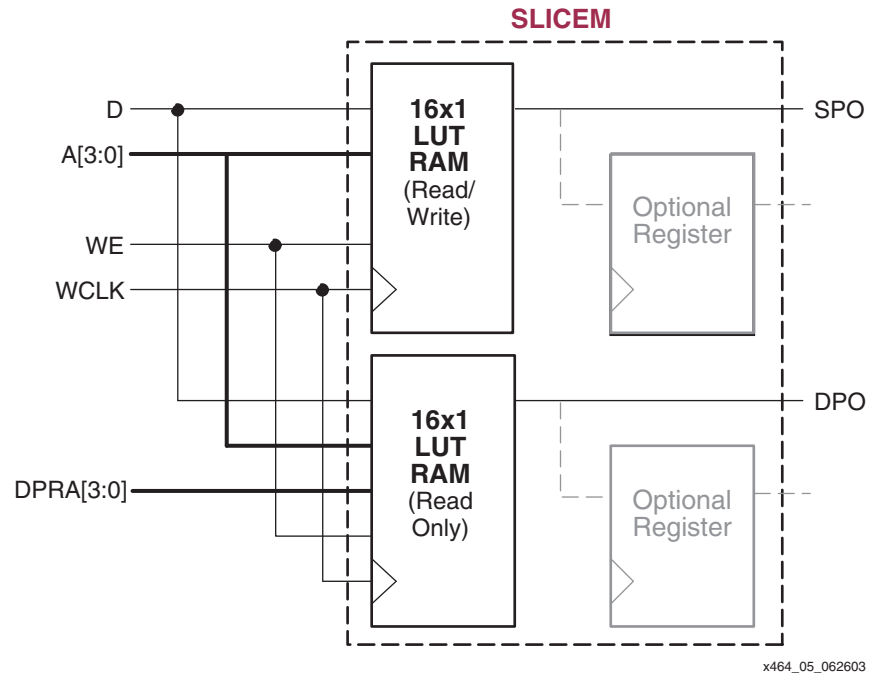


Figure 6-5: RAM16X1D Placement

A 32x1 single-port RAM32X1S primitive fits in one slice, as shown in Figure 6-6. The 32 bits of RAM are split between two 16x1 LUT RAMs within the SLICEM slice. The A4 address line selects the active LUT RAM via the F5MUX multiplexer within the slice.

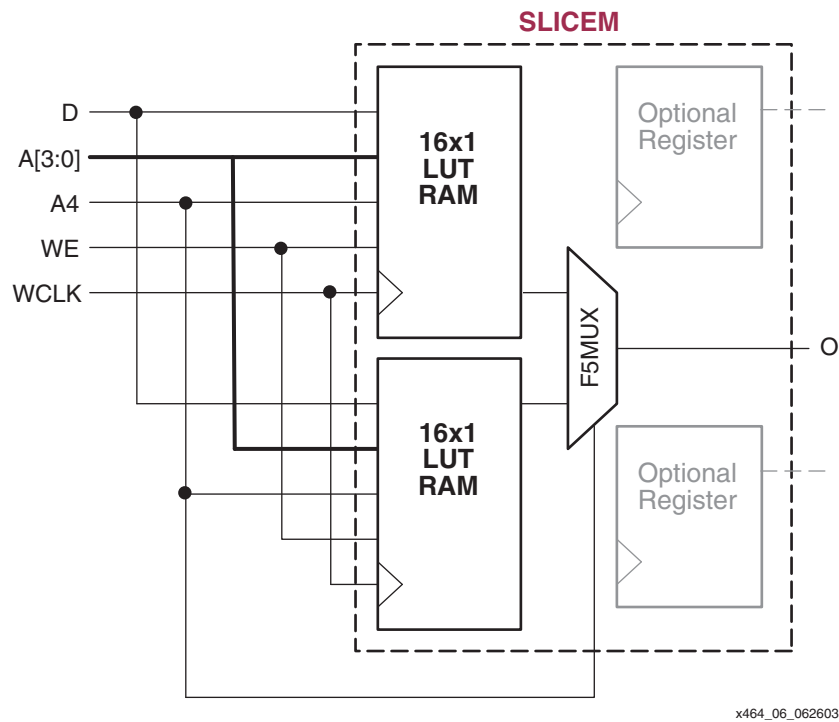


Figure 6-6: RAM32X1S Placement



The 64x1 single-port RAM64X1S primitive occupies both SLICEM slices in the CLB. The read path uses both F5MUX and F6MUX multiplexers within the CLB.

Table 6-8 shows all Distributed RAM design elements and the number of slices required in the Spartan-3 generation FPGA families.

Table 6-8: Distributed RAM Design Element and Required Slices

| Element    | Slices | Element    | Slices | Element     | Slices |
|------------|--------|------------|--------|-------------|--------|
| RAM16X1D   | 1      | RAM32X1S_1 | 1      | RAM128X1S_1 | 4      |
| RAM16X1D_1 | 1      | RAM32X2S   | 2      | ROM16X1     | 0.5    |
| RAM16X1S   | 0.5    | RAM32X4S   | 4      | ROM32X1     | 1      |
| RAM16X1S_1 | 0.5    | RAM32X8S   | 8      | ROM64X1     | 2      |
| RAM16X2S   | 1      | RAM64X1S   | 2      | ROM128X1    | 4      |
| RAM16X4S   | 2      | RAM64X1S_1 | 2      | ROM256X1    | 8      |
| RAM16X8S   | 4      | RAM64X2S   | 4      |             |        |
| RAM32X1S   | 1      | RAM128X1S  | 4      |             |        |

## Distributed RAM Design Entry

To specify distributed RAM in an application, use one of the various design entry tools, including the Xilinx CORE Generator software or VHDL or Verilog.

### Xilinx CORE Generator System

The Xilinx CORE Generator system creates distributed memory designs for both single-port and dual-port RAMs, ROMs, and even SRL16 shift-register functions.

The Distributed Memory module is parameterizable; the depth can range from 16 to 65536 words in multiples of 16, and the width of each word can be anywhere in the range of 1 bit to 1024 bits. To create a module, specify the component name and choose to include or exclude control inputs, then choose the active polarity for the control inputs. Options are available for simple registering of inputs and outputs. Optional asynchronous and synchronous resets are available for the output registers.

Optionally, specify the initial memory contents. Unless otherwise specified, each memory location initializes to zero. Enter user-specified initial values via a Memory Initialization File, consisting of one line of binary data for every memory location. A default file is generated by the CORE Generator system. Alternatively, create a coefficients file (.coe) as shown in Figure 6-7, which not only defines the initial contents in a radix of 2, 10, or 16, but also defines all the other control parameters for the CORE Generator system.

```
memory_initialization_radix=16;
memory_initialization_vector= 80, 0F, 00, 0B, 00, 0C, ..., 81;
```

Figure 6-7: A Simple Coefficients File (.coe) Example for a Byte-Wide Memory

The output from the CORE Generator system includes a report on the options selected and the device resources required. If a very deep memory is generated, then some external multiplexing might be required; these resources are reported as the number of logic slices

required. For simulation purposes, the CORE Generator system creates VHDL or Verilog behavioral models.

The CORE Generator FIFO Generator supports both distributed and block RAMs.

- **CORE Generator:** Distributed Memory Module  
[http://www.xilinx.com/support/documentation/ip\\_documentation/dist\\_mem\\_gen\\_ds322.pdf](http://www.xilinx.com/support/documentation/ip_documentation/dist_mem_gen_ds322.pdf)
- **CORE Generator:** FIFO Generator  
[http://www.xilinx.com/support/documentation/ip\\_documentation/fifo\\_generator\\_ds317.pdf](http://www.xilinx.com/support/documentation/ip_documentation/fifo_generator_ds317.pdf)

## VHDL and Verilog

VHDL and Verilog synthesis-based designs can either infer or directly instantiate distributed RAM, depending on the specific logic synthesis tool used to create the design.

### Inferring Distributed RAM

Most VHDL and Verilog logic synthesis tools, such as the Xilinx Synthesis Tool (XST) and Synplicity Synplify, infer distributed RAM based on the hardware described. The Xilinx ISE Project Navigator includes templates for inferring distributed RAM in your design. To use the templates within Project Navigator, select **Edit** → **Language Templates** from the menu, and then select **VHDL** or **Verilog**, followed by **Synthesis Constructs** → **Coding Examples** → **RAM** from the selection tree. Finally, select the preferred distributed RAM template. Cut and paste the template into the source code for the application and modify it as appropriate.

#### VHDL Inference Template Example

```
process (<clock>)
begin
 if (<clock>'event and <clock> = '1') then
 if (<write_enable> = '1') then
 <ram_name>(conv_integer(<address>)) <= <input_data>;
 end if;
 end if;
end process;

<ram_output> <= <ram_name>(conv_integer(<address>));
```

#### Verilog Inference Template Example

```
parameter RAM_WIDTH = <ram_width>;
parameter RAM_ADDR_BITS = <ram_addr_bits>;

reg [RAM_WIDTH-1:0] <ram_name> [(2**RAM_ADDR_BITS)-1:0];

wire [RAM_WIDTH-1:0] <output_data>;

<reg_or_wire> [RAM_ADDR_BITS-1:0] <address>;
<reg_or_wire> [RAM_WIDTH-1:0] <input_data>;

always @(posedge <clock>)
 if (<write_enable>)
 <ram_name>[<address>] <= <input_data>;

assign <output_data> = <ram_name>[<address>];
```

It is still possible to directly instantiate distributed RAM, even if portions of the design infer distributed RAM.

## Instantiation Templates

For VHDL- and Verilog-based designs, various instantiation templates are available to speed development. Within the Xilinx ISE Project Navigator, select **Edit** → **Language Templates** from the menu, and then select **VHDL** or **Verilog**, followed by **Device Primitive Instantiation** → **FPGA** → **RAM/ROM** → **Distributed RAM** from the selection tree. Cut and paste the template into the source code for the application and modify it as appropriate.

There are also downloadable VHDL and Verilog templates available for all single-port and dual-port primitives. The RAM\_xS templates (where  $x = 16, 32, \text{ or } 64$ ) are single-port modules and instantiate the corresponding RAMxX1S primitive. The 'S' indicates single-port RAM. The RAM\_16D template is a dual-port module and instantiates the corresponding RAM16X1D primitive. The 'D' indicates dual-port RAM.

- VHDL Distributed RAM Templates  
[xapp464\\_vhdl.zip](#)
- Verilog Distributed RAM Templates  
[xapp464\\_verilog.zip](#)

The following are single-port templates:

- RAM\_16S
- RAM\_32S
- RAM\_64S

The following is a dual-port template:

- RAM\_16D

In VHDL, each template has a component declaration section and an architecture section. Insert both sections of the template within the VHDL design file. The port map of the architecture section must include the design signal names.

Templates for the RAM\_16S module are provided below as examples in both VHDL and Verilog code.

### VHDL Instantiation Template Example

```

--- RAM16X1S : In order to incorporate this function into the design,
-- VHDL : the following instance declaration needs to be placed
-- instance : in the architecture body of the design code. The
-- declaration : instance name (RAM16X1S_inst) and/or the port
-- code : declarations after the "=">" assignment maybe changed
-- : to properly reference and connect this function to the
-- : design. All inputs and outputs must be connected.

-- Library : In addition to adding the instance declaration, a use
-- declaration : statement for the UNISIM.vcomponents library needs to
-- for : be added before the entity declaration. This library
-- Xilinx : contains the component declarations for all Xilinx
-- primitives : primitives and points to the models that will be used
-- : for simulation.

-- Copy the following two statements and paste them before the
-- Entity declaration, unless they already exist.

```

```

Library UNISIM;
use UNISIM.vcomponents.all;

-- <-----Cut code below this line and paste into architecture body----->

-- RAM16X1S: 16 x 1 posedge write distributed => Distributed RAM
-- Xilinx HDL Language Template

RAM16X1S_inst : RAM16X1S
generic map (
 INIT => X"0000")
port map (
 O => O, -- RAM output
 A0 => A0, -- RAM address[0] input
 A1 => A1, -- RAM address[1] input
 A2 => A2, -- RAM address[2] input
 A3 => A3, -- RAM address[3] input
 D => D, -- RAM data input
 WCLK => WCLK, -- Write clock input
 WE => WE -- Write enable input
);

-- End of RAM16X1S_inst instantiation

```

## Verilog Instantiation Template Example

```

// RAM16X1S : In order to incorporate this function into the design,
// Verilog : the following instance declaration needs to be placed
// instance : in the body of the design code. The instance name
// declaration : (RAM16X1S_inst) and/or the port declarations within
// code : the parenthesis may be changed to properly reference and
// : connect this function to the design. All inputs
// : and outputs must be connected.

// <-----Cut code below this line----->

// RAM16X1S: 16 x 1 posedge write distributed (LUT) RAM
// Xilinx HDL Language Template

RAM16X1S #(
 .INIT(16'h0000) // Initial contents of RAM
) RAM16X1S_inst (
 .O(O), // RAM output
 .A0(A0), // RAM address[0] input
 .A1(A1), // RAM address[1] input
 .A2(A2), // RAM address[2] input
 .A3(A3), // RAM address[3] input
 .D(D), // RAM data input
 .WCLK(WCLK), // Write clock input
 .WE(WE) // Write enable input
);

// End of RAM16X1S_inst instantiation

```

## Wider Distributed RAM Modules

Table 6-9 shows the VHDL and Verilog distributed RAM examples that implement  $n$ -bit-wide memories.

Table 6-9: VHDL and Verilog Submodules

| Submodules          | Primitive | Size                | Type        |
|---------------------|-----------|---------------------|-------------|
| XC3S_RAM16XN_S_SUBM | RAM16X1S  | 16 words x $n$ -bit | Single-port |
| XC3S_RAM32XN_S_SUBM | RAM32X1S  | 32 words x $n$ -bit | Single-port |
| XC3S_RAM64XN_S_SUBM | RAM64X1S  | 64 words x $n$ -bit | Single-port |
| XC3S_RAM16XN_D_SUBM | RAM16X1D  | 16 words x $n$ -bit | Dual-port   |

## Initialization in VHDL or Verilog Codes

Distributed RAM structures can be initialized in VHDL or Verilog code for both synthesis and simulation. For synthesis, the attributes are attached to the distributed RAM instantiation and are copied in the EDIF output file to be compiled by Xilinx ISE Series tools. The VHDL code simulation uses a generic parameter to pass the attributes. The Verilog code simulation uses a defparam parameter to pass the attributes.

## Conclusion

Frequently FPGA designs require multiple small, fast, and flexible memories for system configuration, control, and status functions. These memories are usually distributed throughout the design. The distributed RAM in the Spartan-3 generation FPGAs is ideal for such applications, and allows the CLBs to be changed from logic to memory "on demand". These memories can then be linked together for various data width or depth requirements. The Xilinx tools automatically use distributed RAM for small arrays or they can be instantiated in a design.

## Related Materials and References

The following list provides additional information:

- Chapter 5, "Using Block RAM"
- Chapter 4, "Using Configurable Logic Blocks (CLBs)"
- Chapter 7, "Using Look-Up Tables as Shift Registers (SRL16)"
- RAM and ROM Application Notes  
[http://www.xilinx.com/support/documentation/ram\\_and\\_rom.htm](http://www.xilinx.com/support/documentation/ram_and_rom.htm)
- Distributed Memory Generator Xilinx IP Core  
[http://www.xilinx.com/xlnx/xebiz/designResources/ip\\_product\\_details.jsp?key=DIST\\_MEM\\_GEN](http://www.xilinx.com/xlnx/xebiz/designResources/ip_product_details.jsp?key=DIST_MEM_GEN)
- Xilinx ISE Software Manuals  
[http://www.xilinx.com/support/software\\_manuals.htm](http://www.xilinx.com/support/software_manuals.htm)



## Using Look-Up Tables as Shift Registers (SRL16)

---

### Summary

The SRL16 is an alternative mode for the look-up tables where they are used as 16-bit shift registers. Using this Shift Register LUT (SRL) mode can improve performance and rapidly lead to cost savings of an order of magnitude. Although the SRL16 can be automatically inferred by the software tools, considering their effective use can lead to more cost-effective designs.

### Shift Register Differences between Spartan-3 Generation Families

This chapter applies to all Spartan®-3 generation FPGA families. Each SRL16 shift register is identical within a family, and the SRL16 function is identical among all Spartan-3 generation families. The performance varies slightly between families due to minor variations in processing and characterization. The number of SRL16 shift registers is the same as the number of distributed RAM blocks, as shown in [Table 6-1, page 214](#).

### Introduction

Spartan-3 generation FPGAs can configure the look-up table (LUT) in a SLICEM slice as a 16-bit shift register without using the flip-flops available in each slice. Shift-in operations are synchronous with the clock, and output length is dynamically selectable. A separate dedicated output allows the cascading of any number of 16-bit shift registers to create whatever size shift register is needed. Each CLB resource can be configured using four of the eight LUTs as a 64-bit shift register.

This document provides generic VHDL and Verilog submodules and reference code examples for implementing from 16-bit up to 64-bit shift registers. These submodules are built from 16-bit shift-register primitives and from dedicated MUXF5, MUXF6, and MUXF7 multiplexers.

These shift registers enable the development of efficient designs for applications that require delay or latency compensation. Shift registers are also useful in synchronous FIFO and Content-Addressable Memory (CAM) designs. To quickly generate a Spartan-3 shift register without using flip-flops (i.e., using the SRL16 element(s)), use the CORE Generator RAM-based Shift Register module.

## Shift Register Architecture

The structure of the SRL16 is described from the bottom up, starting with the shift register and then building up to the surrounding FPGA structure.

### LUT Structure

The LUT can be described as a 16:1 multiplexer with the four inputs serving as binary select lines, and the values programmed into the LUT serving as the data being selected (see Figure 7-1).

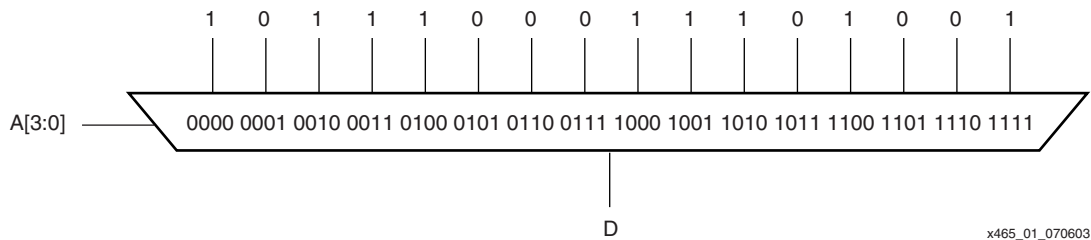


Figure 7-1: LUT Modeled as a 16:1 Multiplexer

With the SRL16 configuration, the fixed LUT values are configured instead as an addressable shift register (see Figure 7-2). The shift register inputs are the same as those for the synchronous RAM configuration of the LUT: a data input, clock, and clock enable (not shown). A special output for the shift register is provided from the last flip-flop, called Q15 on the library primitives or MC15 in the FPGA Editor. The LUT inputs asynchronously (or dynamically) select one of the 16 storage elements in the shift register.

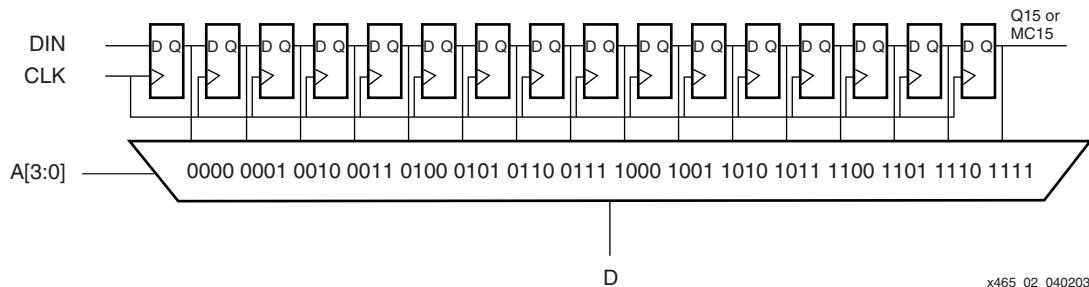


Figure 7-2: LUT Configured as an Addressable Shift Register

### Dynamic Length Adjustment

The address can be thought of as dynamically changing the length of the shift register. If D is used as the shift register output instead of Q15, setting the address to 7 (0111) selects Q7 as the output, emulating an 8-bit shift register. Note that since the address lines control the mux, they provide an asynchronous path to the output.

### Logic Cell Structure

The F-LUT and the G-LUT in the SLICEM are used as the basis of the SRL16 (see the details of the CLB structure in Figure 4-2, page 154). The SLICEM LUTs cascade from the G-LUT MC15 output to the F-LUT DI input through the DIFMUX. The SHIFTIN and SHIFTOUT lines cascade a SLICEM to the SLICEM below through the DIGMUX to form larger shift registers.



Each shift register provides a shift output MC15 for the last bit in each LUT, in addition to providing addressable access to any bit in the shift register through the normal D output (Figure 7-3). The address inputs A[3:0] are the same as the distributed RAM address lines, which come from the LUT inputs F[4:1] or G[4:1].

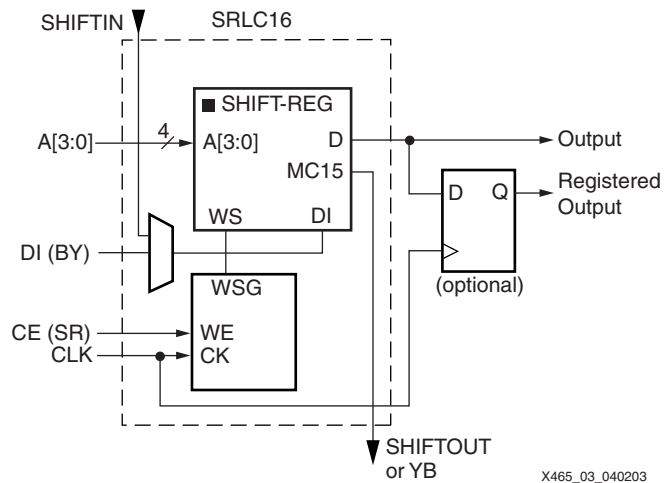


Figure 7-3: Logic Cell SRL Structure

### Registered Output

Each SRL16 LUT has an associated flip-flop that makes up the overall logic cell. The addressable bit of the shift register can be stored in the flip-flop for a synchronous output or can be fed directly to a combinatorial output of the CLB. When using the register, it is best to have fixed address lines selecting a static shift register length to avoid timing hazards. The CLB flip-flop can be used to provide one more shift delay for the addressable bit. Since the clock-to-output delay of the flip-flop is faster than the shift register, performance can be improved by addressing the second-to-last bit and then using the flip-flop as the last stage of the shift register. Using the flip-flop also allows for asynchronous or synchronous set or reset of the output.

The shift register input can come from a dedicated SHIFTOIN signal, and the Q15/MC15 signal from the last stage of the shift register can drive a SHIFTOUT output. The addressable D output is available in all SRL primitives, while the Q15/MC15 signal that can drive SHIFTOUT is only available in the cascadable SRLC16 primitive.

The SRL16 can shift from either LSB to MSB or MSB to LSB according to the application. Although the device arbitrarily names the output MC15, it can be the LSB of the user function.

### Slice Structure

The two logic cells within a slice are connected for cascading a shift register up to 32 bits (see Figure 7-4). These connect the Q15/MC15 of the first shift register to the DI (or Q0 flip-flop) of the second shift register.

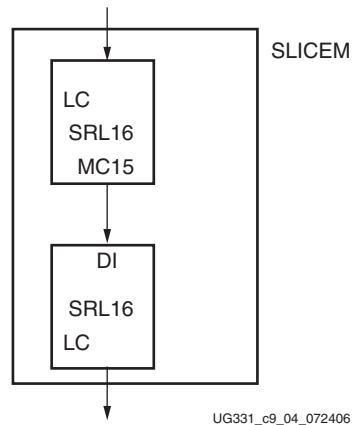


Figure 7-4: Shift Register Connections Between Logic Cells in a Slice

If dynamic addressing (or "dynamic length adjustment") is desired, the two separate data outputs from each SRL16 must be multiplexed together. One of the two SRL16 bits can be selected by using the F5MUX to make the selection (see Figure 7-5).

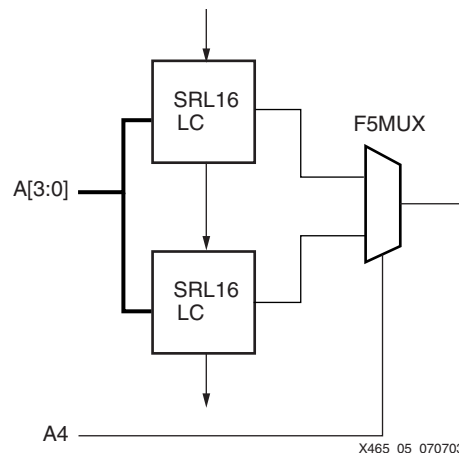


Figure 7-5: Using F5MUX for Addressing Multiple SRL16 Components

## CLB Structure

The Spartan-3 generation CLB contains four slices, each with two LUTs, but only two allow LUTs to be used as SRL16 components or distributed RAM. The two left-hand SLICEM components allow their two LUTs to be configured as a 16-bit shift register. SHIFTOUT to SHIFTIN connections are available to cascade the two SLICEM components. The four left-hand LUTs of a single CLB can be combined to produce delays up to 64 clock cycles (see Figure 7-6). It is also possible to combine shift registers across more than one CLB.

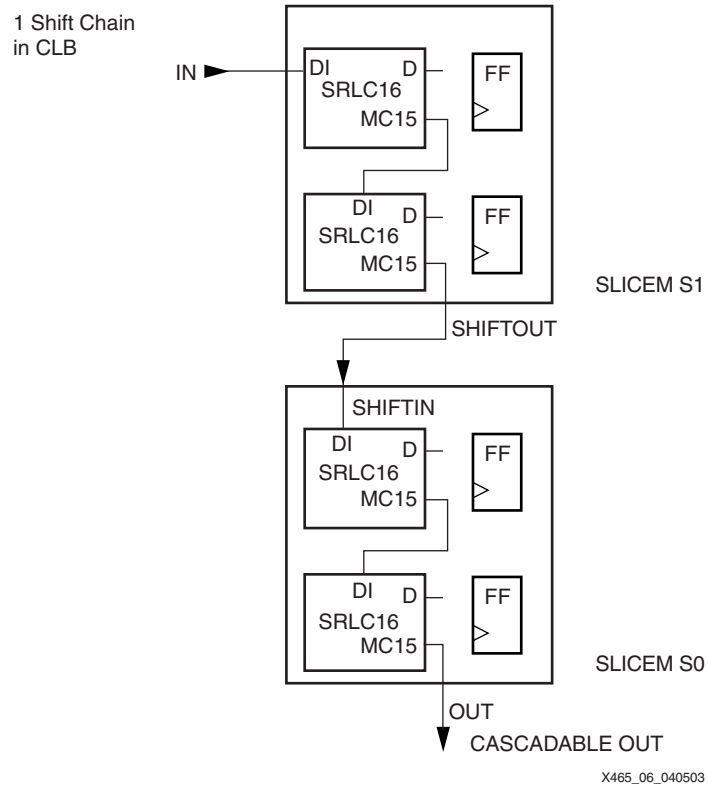
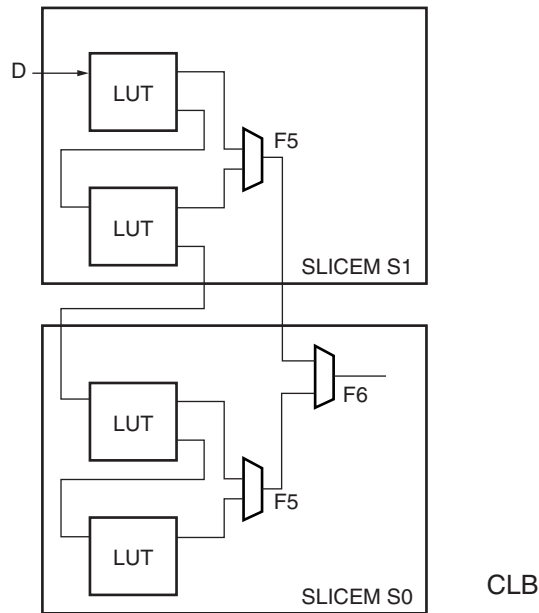


Figure 7-6: Cascading Shift Register LUTs in a CLB

The multiplexers can be used to address multiple SLICEMs similar to the description for combining the two LUTs within a SLICEM. The F6MUX can be used to select from three or four SRL16 components in a CLB, providing up to 64 bits of addressable shift register (see Figure 7-7).

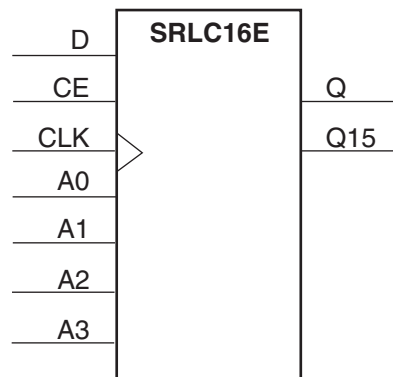


X465\_07\_040203

Figure 7-7: Using F6MUX to Address a 64-Bit Shift Register

## Library Primitives

The shift register element is known as the SRL16 (Shift Register LUT 16-bit), with a C added to signify a cascade ability (Q15 output) and E to indicate a clock enable. See [Figure 7-8](#) for an example of the SRLC16E component.



X465\_19\_040503

Figure 7-8: SRLC16E Primitive

Eight library primitives are available that offer optional clock enable (CE), inverted clock ( $\overline{\text{CLK}}$ ), and cascadable output (Q15) combinations.

Table 7-1 lists all of the available primitives for synthesis and simulation.

Table 7-1: Shift Register Primitives

| Primitive | Length  | Control                      | Address Inputs | Output |
|-----------|---------|------------------------------|----------------|--------|
| SRL16     | 16 bits | CLK                          | A3, A2, A1, A0 | Q      |
| SRL16E    | 16 bits | CLK, CE                      | A3, A2, A1, A0 | Q      |
| SRL16_1   | 16 bits | CLK                          | A3, A2, A1, A0 | Q      |
| SRL16E_1  | 16 bits | $\overline{\text{CLK}}$ , CE | A3, A2, A1, A0 | Q      |
| SRLC16    | 16 bits | CLK                          | A3, A2, A1, A0 | Q, Q15 |
| SRLC16E   | 16 bits | CLK, CE                      | A3, A2, A1, A0 | Q, Q15 |
| SRLC16_1  | 16 bits | CLK                          | A3, A2, A1, A0 | Q, Q15 |
| SRLC16E_1 | 16 bits | $\overline{\text{CLK}}$ , CE | A3, A2, A1, A0 | Q, Q15 |

## Initialization in VHDL and Verilog Code

A shift register can be initialized in VHDL or Verilog code for both synthesis and simulation. For synthesis, the INIT attribute is attached to the 16-bit shift register instantiation and is copied in the EDIF output file to be compiled by Xilinx tools. The VHDL code simulation uses a `generic` parameter to pass the attributes. The Verilog code simulation uses a `defparam` parameter to pass the attributes.

The S3\_SRL16E shift register instantiation code examples (in VHDL and Verilog) illustrate these techniques (see “VHDL and Verilog Templates,” page 241). S3\_SRL16E.vhd and S3\_SRL16E.v files are not a part of the documentation.

## Port Signals

### Clock — CLK

Either the rising edge or the falling edge of the clock is used for the synchronous shift-in. The data and clock enable input pins have set-up times referenced to the chosen edge of CLK.

### Data In — D

The data input provides new data (one bit) to be shifted into the shift register.

### Clock Enable — CE (optional)

The clock enable pin affects shift functionality. An inactive clock enable pin does not shift data into the shift register and does not write new data. Activating the clock enable allows the data in (D) to be written to the first location and all data to be shifted by one location. When available, new data appears on output pins (Q) and the cascadable output pin (Q15).

### Address — A3, A2, A1, A0

Address inputs select the bit (range 0 to 15) to be read. The  $n^{\text{th}}$  bit is available on the output pin (Q). Address inputs have no effect on the cascadable output pin (Q15), which is always the last bit of the shift register (bit 15).

### Data Out — Q

The data output Q provides the data value (1 bit) selected by the address inputs.

### Data Out — Q15 (optional)

The data output Q15 provides the last bit value of the 16-bit shift register. New data becomes available after each shift-in operation.

### Inverting Control Pins

The two control pins (CLK, CE) have an individual inversion option. The default is the rising clock edge and active High clock enable.

### GSR

The global set/reset (GSR) signal has no impact on shift registers.

## Attributes

### Content Initialization — INIT

The INIT attribute defines the initial shift register contents. The INIT attribute is a hex-encoded bit vector with four digits (0000). The left-most hexadecimal digit is the most significant bit. By default the shift register is initialized with all zeros during the device configuration sequence, but any other configuration value can be specified.

## Location Constraints

[Figure 7-9](#) shows how the slices are arranged within a CLB. Each CLB has four slices, but only the two at the bottom-left of the CLB can be used as shift registers. These are both designated SLICEM in CLB positions S0 and S1. The relative position coordinates are X0Y0 and X0Y1. To constrain placement, these coordinates can be used in a LOC property attached to the SRL primitive. Note that the dedicated CLB shift chain runs from the top to the bottom, but the start and end of the shift register can be in any of the four SLICEM LUTs.

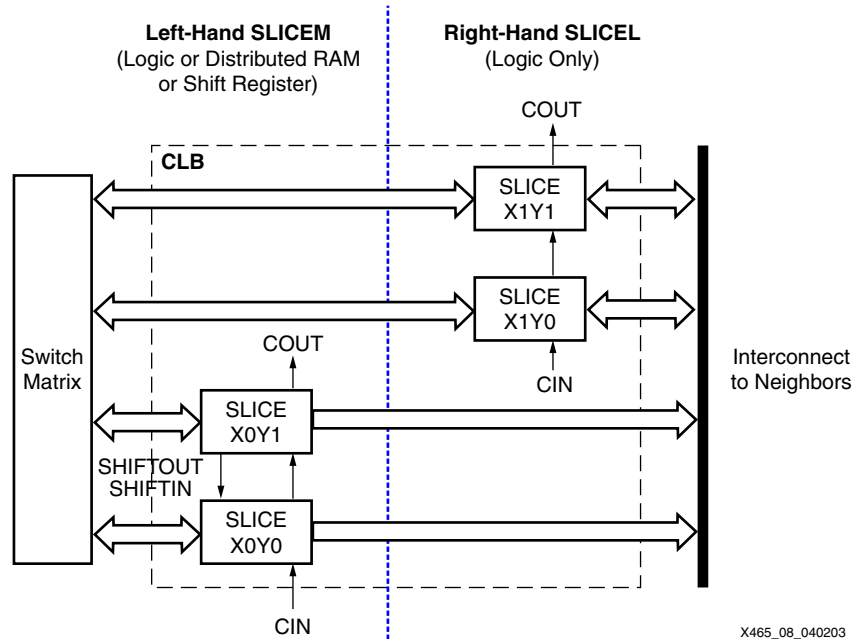


Figure 7-9: Arrangement of Slices within the CLB

## Shift Register Operations

The functionality of the shift register is shown in Table 7-2. The SRL16 shifts on the rising edge of the clock input when the Clock Enable control is High. This shift register cannot be initialized either during configuration or during operation except by shifting data into it. The clock enable and clock inputs are shared between the two LUTs in a SLICEM. The clock enable input is automatically kept active if unused.

Table 7-2: SRL16 Shift Register Function

| Inputs |     |    |   | Outputs |       |
|--------|-----|----|---|---------|-------|
| Am     | CLK | CE | D | Q       | Q15   |
| Am     | X   | 0  | X | Q[Am]   | Q[15] |
| Am     | ↑   | 1  | D | Q[Am-1] | Q[15] |

**Notes:**

- m = 0, 1, 2, 3.

## Data Flow

Each shift register (SRL16 primitive) supports:

- Synchronous shift-in
- Asynchronous 1-bit output when the address is changed dynamically
- Synchronous shift-out when the address is fixed

In addition, cascadable shift registers (SRLC16) support synchronous shift-out output of the last (16th) bit. This output has a dedicated connection to the input of the next SRLC16 inside the CLB resource. Two primitives are illustrated in Figure 7-10.

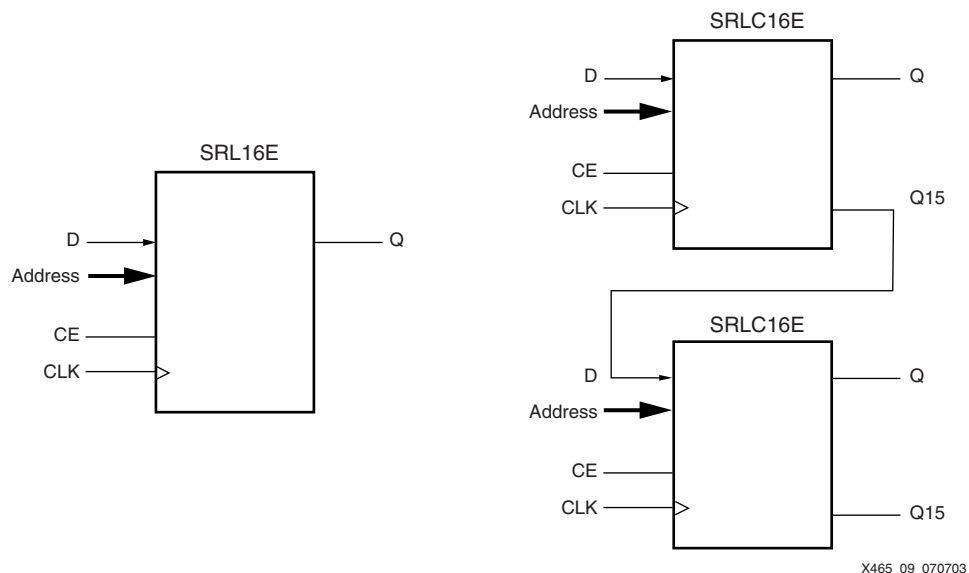


Figure 7-10: Shift Register and Cascadable Shift Register

## Shift Operation

The shift operation is a single clock-edge operation with an active-High clock enable feature. When enable is High, the input (D) is loaded into the first bit of the shift register, and each bit is shifted to the next highest bit position. In a cascadable shift register configuration (such as SRLC16), the last bit is shifted out on the Q15 output.

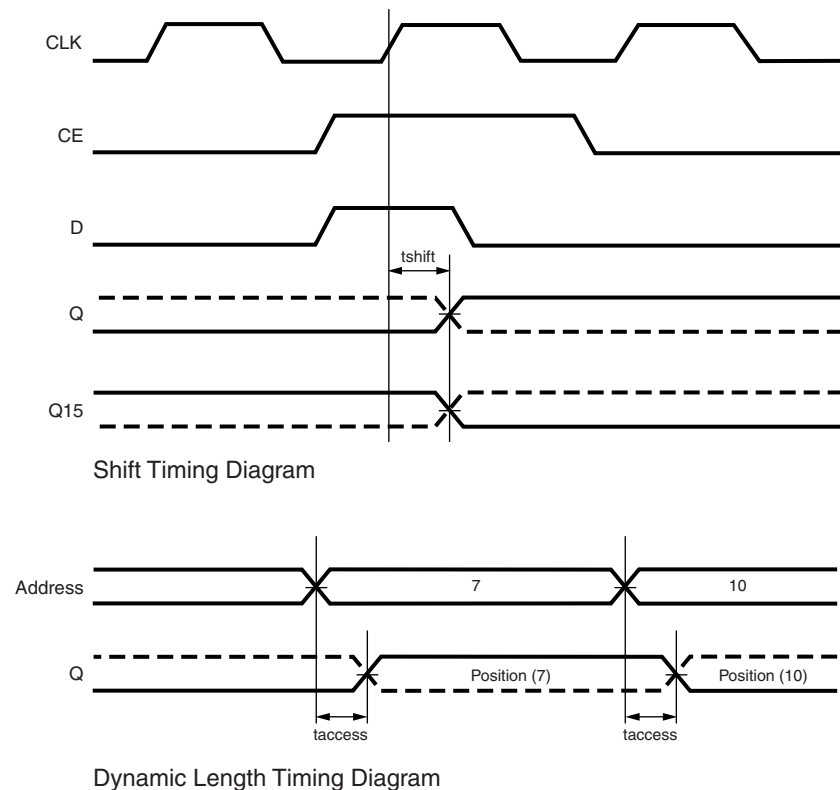
The bit selected by the 4-bit address appears on the Q output.

## Dynamic Read Operation

The Q output is determined by the 4-bit address. Each time a new address is applied to the 4-input address pins, the new bit position value is available on the Q output after the time delay to access the LUT. This operation is asynchronous and independent of the clock and clock enable signals.



Figure 7-11 illustrates the shift and dynamic read operations.



X465\_10\_040203

Figure 7-11: Shift- and Dynamic-Length Timing Diagrams

### Static Read Operation

If the 4-bit address is fixed, the Q output always uses the same bit position. This mode implements any shift register length up to 16 bits in one LUT. Shift register length is (N+1) where N is the input address.

The Q output changes synchronously with each shift operation. The previous bit is shifted to the next position and appears on the Q output.

### Characteristics

- A shift operation requires one clock edge.
- Dynamic-length read operations are asynchronous (Q output).
- Static-length read operations are synchronous (Q output).
- The data input has a setup-to-clock timing specification.
- In a cascaded configuration, the Q15 output always contains the last bit value.
- The Q15 output changes synchronously after each shift operation.

## Shift Register Inference

When a shift register is described in generic HDL code, synthesis tools infer the use of the SRL16 component. Since the SRL16 does not have either synchronous or asynchronous set

or reset inputs, and does not have access to all bits at the same time, using such capabilities precludes the use of the SRL16, and the function is implemented in flip-flops. The cascadable shift register (SRLC16) might be inferred if the shift register is larger than 16 bits or if only the Q15 is used.

In fact, adding a reset is one way to force a synthesis tool to use flip-flops instead of the SRL16 when flip-flops are preferred for performance or other reasons. If a reset is not needed, simply connect a dummy signal and use an appropriate KEEP attribute to prevent the synthesis tool from optimizing it out of the design.

Although the SRL16 shift register does not have a parallel load capability, an equivalent function can be implemented simply by anticipating the load requirement and shifting in the proper data. This requires predictable timing for the load command.

## VHDL Inference Code

The following code infers an SRL16 in VHDL.

```
architecture Behavioral of srl16 is
 signal Q_INT: std_logic_vector(15 downto 0);
begin
 process(C)
 begin
 if (C'event and C='1') then
 Q_INT <= Q_INT(14 downto 0) & D;
 end if;
 end process;

 Q <= Q_INT(15);

end Behavioral;
```

An inverted clock (SRL16\_1) is inferred by replacing C='1' with C='0'. A clock enable (SRL16E) is inferred by inserting if (CE='1') then after the first if-then statement.

## Verilog Inference Code

The following code infers an SRL16 in Verilog.

```
always @ (posedge C)
begin
 Q_INT <= {Q_INT[14:0],D};
end

always @(Q_INT)
begin
 Q <= Q_INT[15];
end
```

An inverted clock (SRL16\_1) is inferred by replacing (posedge C) with (negedge C). A clock enable (SRL16E) is inferred by inserting if(CE) after the begin statement.

## Shift Register Submodules

In addition to the 16-bit primitives, two submodules that implement 32-bit and 64-bit cascadable shift registers are provided in VHDL and Verilog code. Table 7-3 lists available submodules.

Table 7-3: Shift Register Submodules

| Submodule    | Length  | Control | Address Inputs         | Output |
|--------------|---------|---------|------------------------|--------|
| SRLC32E_SUBM | 32 bits | CLK, CE | A4, A3, A2, A1, A0     | Q, Q31 |
| SRLC64E_SUBM | 64 bits | CLK, CE | A5, A4, A3, A2, A1, A0 | Q, Q63 |

The submodules are based on SRLC16E primitives, which are associated with dedicated multiplexers (MUXF5, MUXF6, and so forth). This implementation allows a fast static- and dynamic-length mode, even for very large shift registers.

Figure 7-12 represents the cascadable shift registers (32-bit and 64-bit) implemented by the submodules in Table 7-3.

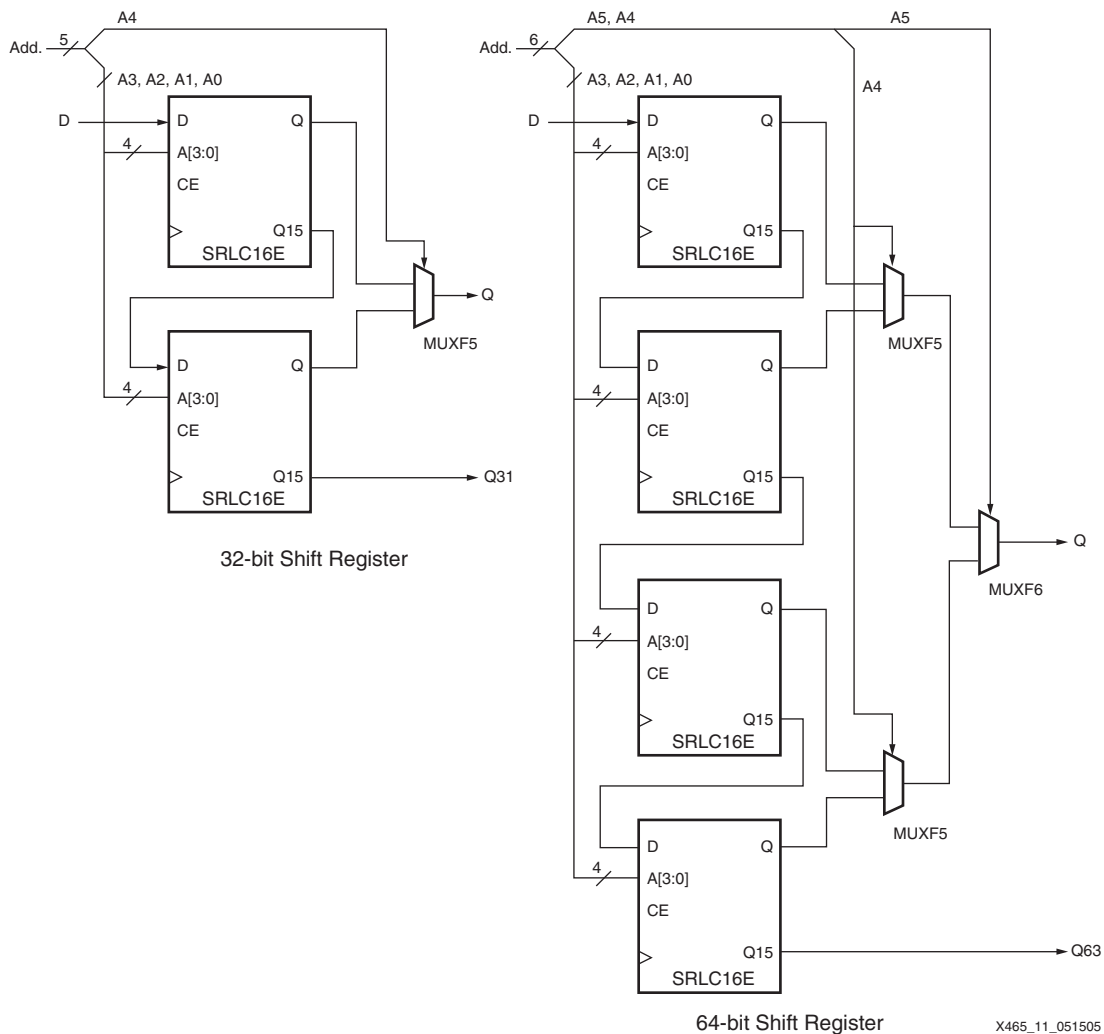


Figure 7-12: Shift-Register Submodules (32-bit, 64-bit)

All clock enable (CE) and clock (CLK) inputs are connected to one global clock enable and one clock signal per submodule. If a global static- or dynamic-length mode is not required, the SRLC16E primitive can be cascaded without multiplexers.

## Fully Synchronous Shift Registers

All shift-register primitives and submodules do not use the register(s) available in the same slice(s). To implement a fully synchronous read and write shift register, output pin Q must be connected to a flip-flop. Both the shift register and the flip-flop share the same clock, as shown in Figure 7-13.

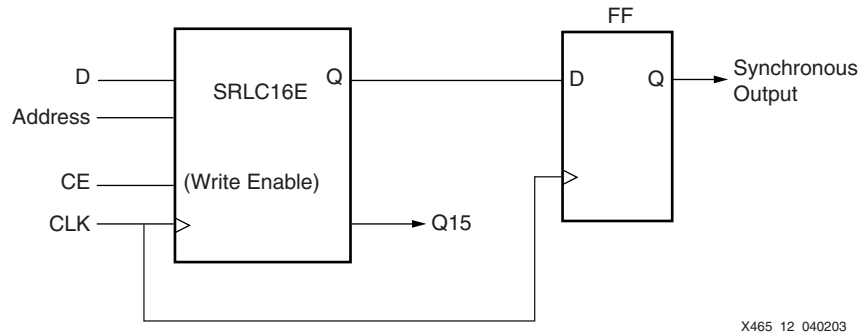


Figure 7-13: Fully Synchronous Shift Register

This configuration provides a better timing solution and simplifies the design. Because the flip-flop must be considered to be the last register in the shift-register chain, the static or dynamic address should point to the desired length minus one. If needed, the cascadable output can also be registered in a flip-flop. The delay from the SRL16 to the flip-flop is a fixed CLB setup time delay and is not controlled by a PERIOD constraint.

## Static-Length Shift Registers

The cascadable 16-bit shift register implements any static length mode shift register without the dedicated multiplexers (MUXF5, MUXF6, and so on). Figure 7-14 illustrates a 40-bit shift register. Only the last SRLC16E primitive needs to have its address inputs tied to "0111". Alternatively, shift register length can be limited to 39 bits (address tied to "0110") and a flip-flop can be used as the last register. (In an SRLC16E primitive, the shift register length is the address input + 1.)

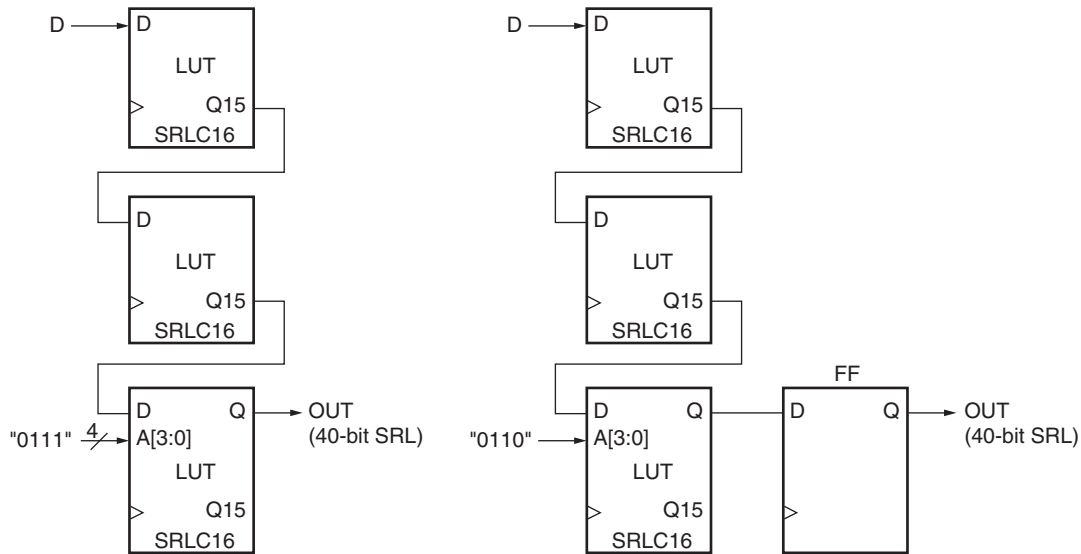


Figure 7-14: 40-bit Static-Length Shift Register

X465\_13\_051505

## VHDL and Verilog Instantiation

VHDL and Verilog instantiation templates are available for all primitives and submodules:

- [xapp465\\_vhdl.zip](#)
- [xapp465\\_verilog.zip](#)

In VHDL, each template has a component declaration section and an architecture section. Each part of the template should be inserted within the VHDL design file. The port map of the architecture section should include the design signal names.

The ShiftRegister\_C\_x (with x = 16, 32, or 64) templates are cascadable modules and instantiate the corresponding SRLCxE primitive (16) or submodule (32 or 64).

The ShiftRegister\_16 template can be used to instantiate an SRL16 primitive.

## VHDL and Verilog Templates

In template names, the number indicates the number of bits (for example, SHIFT\_SELECT\_16 is the template for the 16-bit shift register) and the “C” extension means the template is cascadable.

The following are templates for primitives:

- SHIFT\_REGISTER\_16
- SHIFT\_REGISTER\_16\_C

The following are templates for submodules:

- SHIFT\_REGISTER\_32\_C (submodule: SRLC32E\_SUBM)
- SHIFT\_REGISTER\_64\_C (submodule: SRLC64E\_SUBM)

The corresponding submodules have to be synthesized with the design.

Templates for the SHIFT\_REGISTER\_16\_C module are provided in VHDL and Verilog code as an example.

## VHDL Template:

```

-- Module: SHIFT_REGISTER_C_16
-- Description: VHDL instantiation template
-- CASCADABLE 16-bit shift register with enable (SRLC16E)
-- Device: Spartan-3 Generation Family

-- Components Declarations:
--
component SRLC16E
-- pragma translate_off
 generic (
-- Shift Register initialization ("0" by default) for functional
simulation:
 INIT : bit_vector := X"0000"
);
-- pragma translate_on
 port (
 D : in std_logic;
 CE : in std_logic;
 CLK : in std_logic;
 A0 : in std_logic;
 A1 : in std_logic;
 A2 : in std_logic;
 A3 : in std_logic;
 Q : out std_logic;
 Q15 : out std_logic
);
end component;
-- Architecture Section:
--
-- Attributes for Shift Register initialization ("0" by default):
attribute INIT: string;
--
attribute INIT of U_SRLC16E: label is "0000";
--
-- ShiftRegister Instantiation
U_SRLC16E: SRLC16E
 port map (
 D => , -- insert input signal
 CE => , -- insert Clock Enable signal (optional)
 CLK => , -- insert Clock signal
 A0 => , -- insert Address 0 signal
 A1 => , -- insert Address 1 signal
 A2 => , -- insert Address 2 signal
 A3 => , -- insert Address 3 signal
 Q => , -- insert output signal
 Q15 => -- insert cascadable output signal
);

```

## Verilog Template:

```

// Module: SHIFT_REGISTER_16
// Description: Verilog instantiation template
// Cascadable 16-bit Shift Register with Clock Enable (SRLC16E)
// Device: Spartan-3 Generation Family
//-----
defparam

```

```
//Shift Register initialization ("0" by default) for functional
simulation:
 U_SRLC16E.INIT = 16'h0000;

//SelectShiftRegister-II Instantiation
 SRLC16E U_SRLC16E (.D(),
 .A0(),
 .A1(),
 .A2(),
 .A3(),
 .CLK(),
 .CE(),
 .Q(),
 .Q15()
);

// synthesis attribute declarations
/* attribute
INIT "0000"
*/
```

## CORE Generator System

The Xilinx CORE Generator system generates fast, compact, FIFO-style shift registers, delay lines, or time-skew buffers using the SRL16. The RAM-based Shift Register module shown in Figure 7-15 provides a very efficient multibit wide shift for widths up to 256 and depths to 1024. Fixed-length shift registers and variable-length shift registers can be created. An option is also provided to register the outputs of the module. If output registering is selected, there are additional options for Clock Enable, Asynchronous Set, Clear, and Init, and Synchronous Set, Clear, and Init of the output register. The module can optionally be generated as a relationally placed macro (RPM) or as unplaced logic.

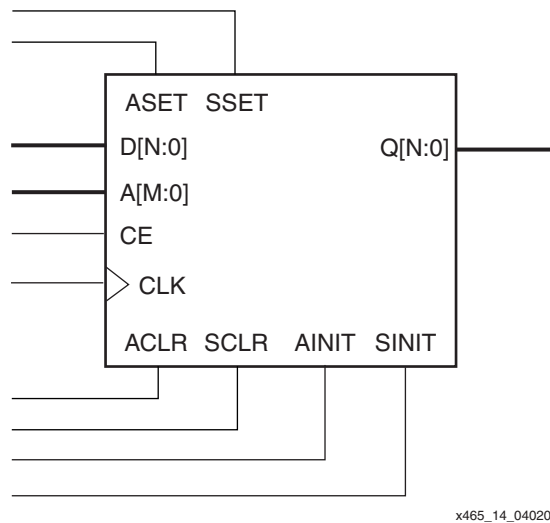


Figure 7-15: CORE Generator RAM-Based Shift Register Module

## Applications

### Delay Lines

The register-rich nature of the Xilinx FPGA architecture allows for the addition of pipeline stages to increase throughput. Data paths must be balanced to keep the desired functionality. The SRL16 can be used when additional clock cycles of delay are needed anywhere in the design (see [Figure 7-16](#)).

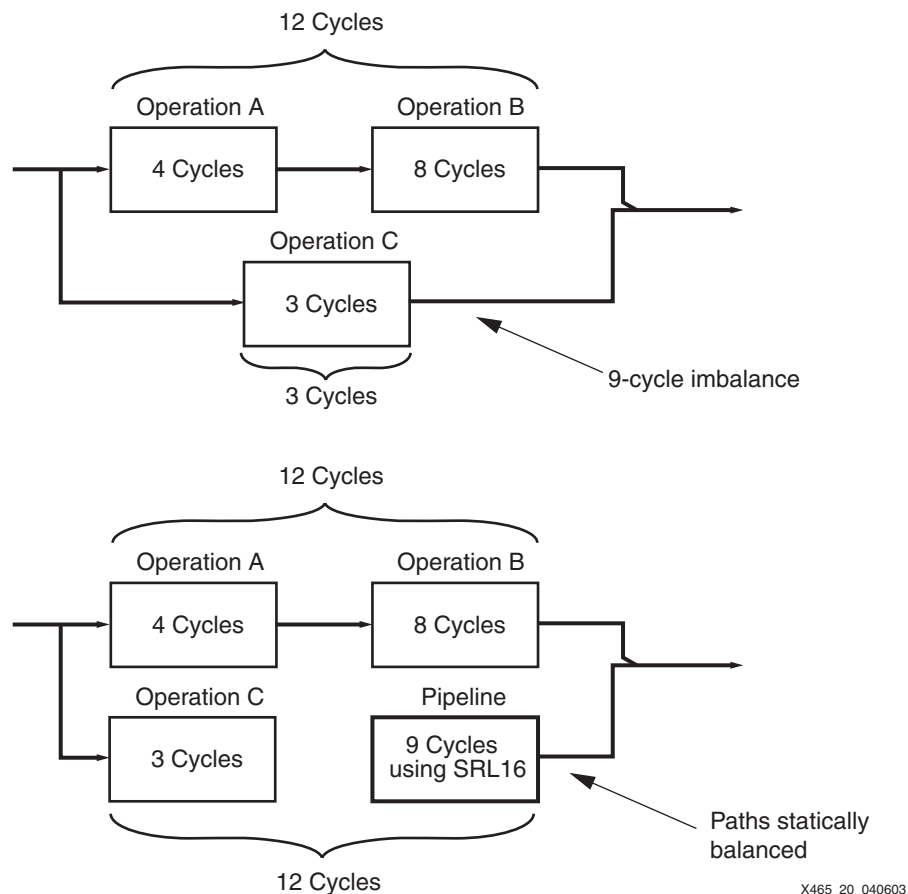


Figure 7-16: Using SRL16 as a Delay Line

### Linear Feedback Shift Registers

Linear Feedback Shift Registers (LFSRs) sequence through  $2^n - 1$  states, where  $n$  is the number of flip-flops. The sequence is created by feeding specific bits back through an XOR or XNOR gate. LFSRs can replace conventional binary counters in performance critical applications where the count sequence is not important (e.g., FIFOs). LFSRs are also used as pseudo-random number generators. They are important building blocks in encryption and decryption algorithms.

Maximal-length LFSRs need taps taken from specific positions within the shift register. There are multiple ways these taps can be made available in the SRL16 configuration. One is by addressing the necessary bit in a given SRL16 while allowing the Q15 to cascade to the next SRL16. Another is to use flip-flops to "extend" the SRL16 where necessary to access the tap points. For example, [Figure 7-17](#) shows how a 52-bit LFSR can be implemented



with the feedback coming from bits 49 and 52. A third method is to duplicate the LFSR in multiple SRLs and address different bits from each one. Yet another method is to generate multiple addresses in one SRL clock cycle to capture multiple bit positions. The XNOR gate required for any LFSR can be conveniently located in the SLICEL part of the CLB. More detail is available in [XAPP210](#).

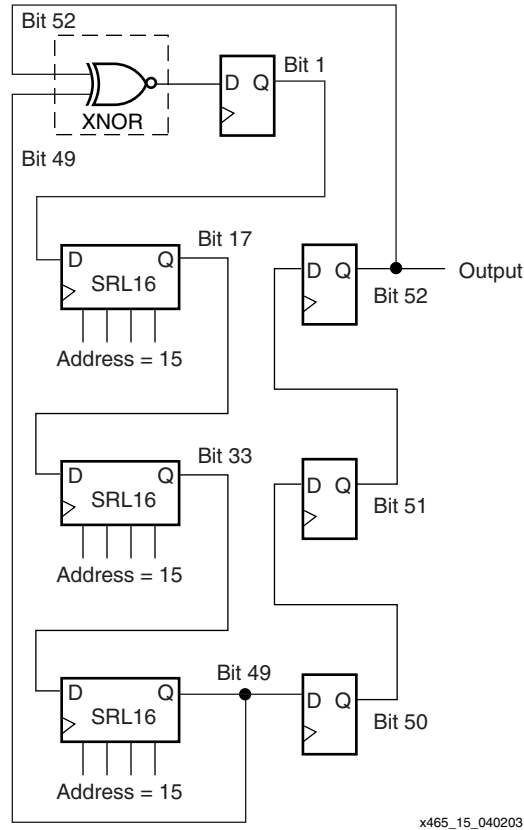


Figure 7-17: 52-bit LFSR

## Gold Code Generator

Gold code generators are used in CDMA systems to generate code sequences with good correlation properties (see [Figure 7-18](#)). R. Gold suggested that sets of small correlation codes could be generated by modulo 2 addition of the results of two LFSRs, primed with factor codes. The result is a set of codes ideally suited to distinguish one code from another in a spectrum full of coded signals. [Figure 7-18](#) shows an implementation of a Gold code generator. The logic required to initially fill the LFSR and provide the feedback can be located in the SLICEL parts of the CLB. See [XAPP217](#) for more details.

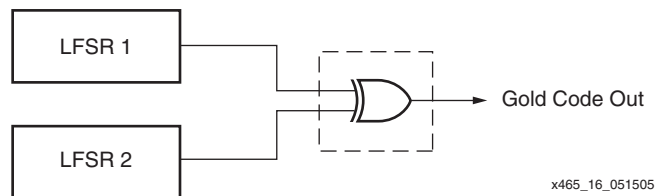


Figure 7-18: Gold Code Generator

## FIFOs

Synchronous FIFOs can be built out of the SRL16 components. These are useful when other resources become scarce, providing up to 64 bits per CLB. For larger FIFOs, the block RAM is the most efficient resource to use. See [XAPP256](#) for more detail.

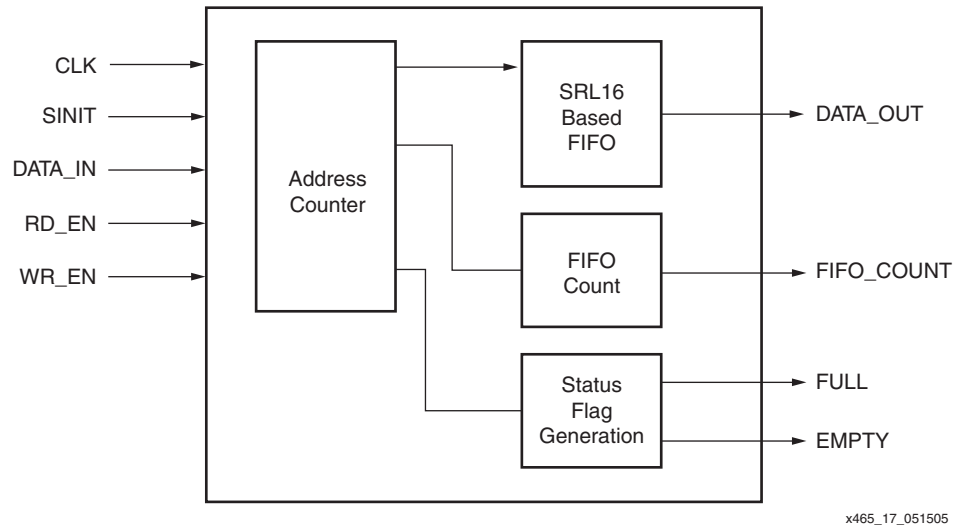


Figure 7-19: Synchronous FIFO Using SRL16 Shift Registers

## Counters

Any desired repeated sequence of 16 states can be achieved by feeding each output with an SRL16. Cascading the SRL16 allows even longer arbitrary count sequences. A terminal count can be generated by using the standard carry chain (see [Figure 7-20](#)).

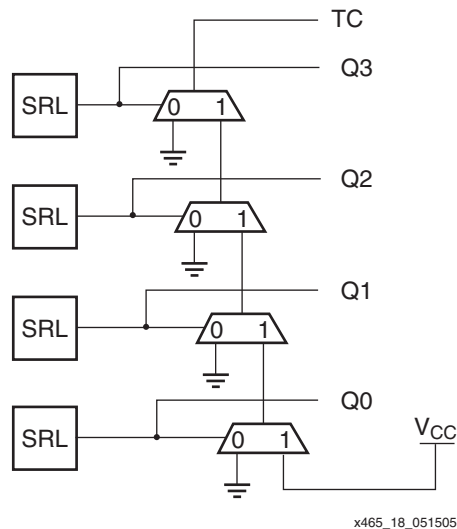


Figure 7-20: SRL-Based Counter with Terminal Count

## Related Materials and References

The following documents provide supplementary information useful with this chapter:

- [XAPP210: Linear Feedback Shift Registers in Virtex® Devices](#)  
Linear Feedback Shift Registers are very efficient counters in the FPGA architecture. Using the SRL16 as the basis of the shift register, a 15-bit counter can fit in one slice and a 52-bit counter in two slices.
- [XAPP211: PN Generators Using the SRL Macro](#)  
Pseudo-random Noise sequences are used to code and spread signals across a wide band of transmission frequencies for spread spectrum modulation. PN generators are based upon LFSRs, which can be effectively built from the SRL16 components.
- [XAPP217: Gold Code Generators in Virtex Devices](#)  
A special type of PN sequence is a Gold code generator, which can be created from SRL16-based LFSRs.
- [XAPP256: FIFOs Using Virtex-II Shift Registers](#)  
The SRL16 is ideal for building smaller synchronous FIFOs. FIFOs can be built in any width while producing a 1-bit resolution. With cascaded SRL16 shift registers, a flexible depth in multiples of 16 is available. These techniques are useful for even larger FIFOs when block RAM resources are not available.
- [WP271: "Saving Costs with the SRL16E"](#)  
Describes the SRL16 function and its application in pipeline compensation, pseudo random noise generators, serial frame synchronizers, running averages, pulse generation and clock division, pattern generation, state machines, dynamically addressable shift registers, FIFOs, and an RS232 receiver.
- [DS228: RAM-Based Shift Register LogiCORE Module](#)  
Generates fast, compact, FIFO-style shift registers, delay lines or time-skew buffers using the SRL16.
- [SRL16 Primitives in Libraries Guide](#)  
Describes the usage and functionality of the SRL16 primitive and its variations.

## Conclusion

The SRL16 configuration of the Spartan-3 generation LUT provides a space-efficient shift register that otherwise require 16 flip-flops. This feature is automatically used when a small shift register is described in HDL code. However, creative consideration of the uses of the SRL16 as described here can provide even more significant advantages in many applications.



# Using Dedicated Multiplexers

---

## Summary

The Spartan®-3 generation architecture includes dedicated multiplexers within the Configurable Logic Blocks (CLBs). These specialized multiplexers improve the performance and density of not just wide multiplexers but almost any wide-input function. Using these resources, a 32:1 multiplexer fits in just one level of logic, as do some Boolean logic functions of up to 79 inputs. The dedicated multiplexers are identical in all Spartan-3 generation FPGAs: Spartan-3, Spartan-3E, and Extended Spartan-3A families.

## Introduction

A multiplexer, or mux, is a common building block of almost every logic design, selecting one of several possible input signals. Spartan-3 generation FPGAs are very efficient at implementing multiplexers: small ones in the look-up tables and larger ones using dedicated multiplexer resources. Any Spartan-3 generation device easily implements:

- a 4:1 mux in one slice
- a 16:1 mux in one CLB
- a 32:1 mux in two CLBs

The same logic resources also can be used for wide, general-purpose logic functions. For applications like comparators, encoder-decoders, or case statements, these resources provide an optimal solution. These resources are used automatically by the Xilinx development system, especially when a CASE statement is used, and then optimized for the timing requirements of a given design. This chapter explains how to further optimize the use of dedicated multiplexers and how to analyze their use in a design.

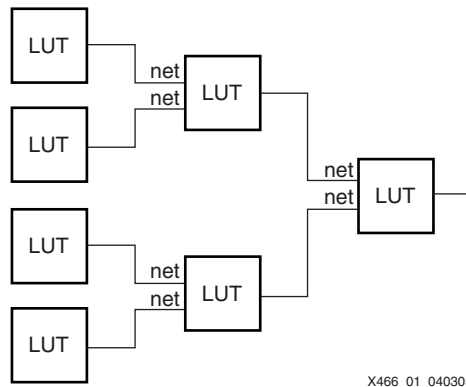
This chapter describes the dedicated multiplexer resources in the Spartan-3 generation architecture. The signals and parameters associated with the multiplexers are defined. The many methods to include multiplexers in a design are described along with recommendations and guidelines for their use.

## Dedicated Multiplexer Differences between Spartan-3 Generation Families

Each CLB multiplexer structure is identical within a family, and the CLBs are identical among all Spartan-3 generation families. The performance varies slightly between families due to minor variations in processing and characterization.

## Advantages of Dedicated Multiplexers

Spartan-3 generation FPGAs are based on four-input look-up tables (LUTs) that can provide any possible function of the four inputs. The largest mux that a single LUT supports is a 2:1 mux, with the fourth input available as a possible enable. One method to construct larger muxes would be to cascade multiple LUTs. For example, a 4:1 mux could be built by combining the outputs of two LUTs into a third LUT. However, this method adds two full levels of logic delays plus an additional routing delay between the LUTs. Without special resources, an 8:1 mux would consume 8 LUTs as well as add three levels of logic delays plus two levels of routing delays, as shown in [Figure 8-1](#).



**Figure 8-1: 8:1 Mux, 7 LUTs, 3 Levels of Logic**

To increase multiplexer speed and density, Spartan-3 generation FPGAs provide a dedicated 2:1 mux following every LUT, which replaces additional levels of LUT-based logic. One of these, called the F5MUX, combines adjacent LUTs to create a 4:1 mux. The other mux, following every pair of LUTs, combines muxes into wider functions with different capabilities depending on its location in the CLB. This mux is called the FiMUX, where the index "i" equals 6, 7, or 8. For example, the F6MUX combines the results of two F5MUX elements to create an 8:1 mux as shown in [Figure 8-2](#). The connections from the LUTs to the muxes and between the muxes are dedicated and have zero connection delay. The combination of LUTs and dedicated multiplexers allows very efficient implementation of large multiplexers.

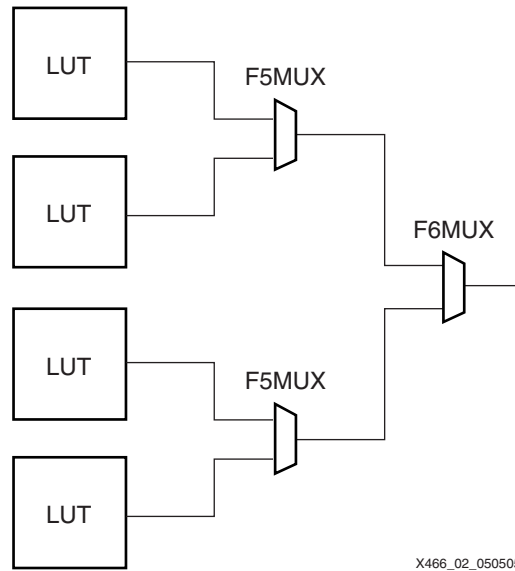


Figure 8-2: 8:1 Mux, 4 LUTs, 1 Level of Logic

## CLB Multiplexer Resources

The Spartan-3 generation architecture consists of an array of identical Configurable Logic Blocks, or CLBs. Each CLB is made up of four slices: two SLICEMs with memory capability and two SLICELs with logic-only capability. Each slice is identical with respect to logic and mux resources. Each slice has two LUTs, an F5MUX, and a second expansion mux (see Figure 8-3).

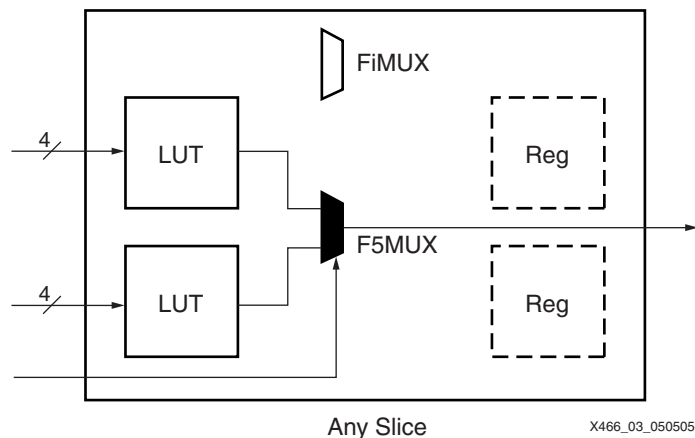


Figure 8-3: LUTs and F5MUX in a Slice

### F5MUX

The F5MUX always combines the two LUTs in a slice. If those two LUTs contain 2:1 muxes with the same control input, then the overall result is a 4:1 mux (see Figure 8-4).

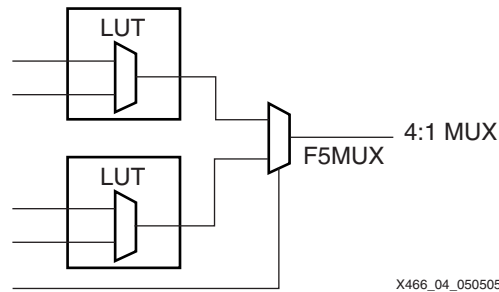


Figure 8-4: 4:1 Mux Implemented Using F5MUX

The F5MUX is so named because it generates any possible Boolean logic function of five inputs (see Figure 8-5). If the two LUTs contain independent functions of the same four inputs, the mux select line becomes the fifth input. The F5MUX becomes a function expander that is just as efficient as another 3-input LUT for implementing any 5-input function. This is a significant advantage over other FPGA architectures.

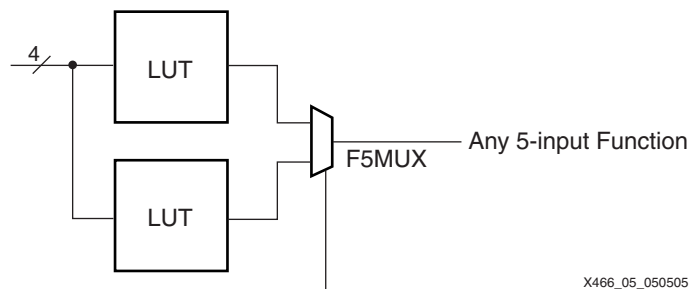


Figure 8-5: Any 5-input Function Can Be Implemented Using F5MUX

As shown in Figure 8-6, the F5MUX also produces some functions of up to nine inputs, if they can be partitioned into two 4-input LUTs and a mux.

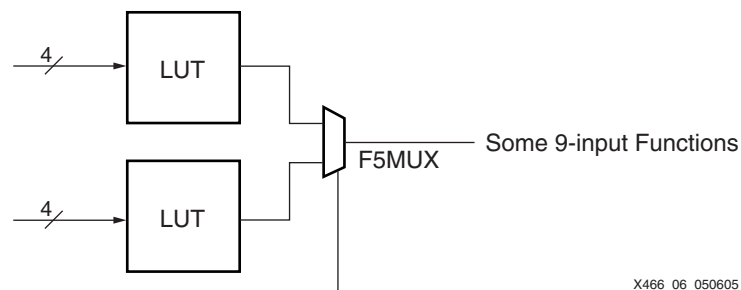


Figure 8-6: Some 9-input Functions Can Be Implemented Using a F5MUX

Consequently, the F5MUX generates any 5-input function, the 4:1 mux 6-input function, or some 9-input functions.



## FiMUX

The second mux, called the FiMUX, functions as either an F6MUX, F7MUX, or F8MUX, depending on its location and connections to the other muxes.

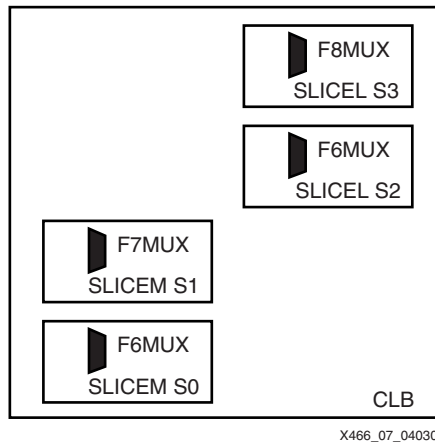


Figure 8-7: FiMUX Positions in a CLB

Each FiMUX receives inputs from muxes of the next lower number; for example, the two F6MUX results drive the F7MUX. Like the F5MUX, the FiMUX has the flexibility to implement other types of functions besides just multiplexers. The F6MUX is so named because it creates any function of six inputs. Similarly, the F7MUX generates any function of seven inputs, and the F8MUX generates any function of eight inputs.

Table 8-1: Mux Capabilities

| Mux   | Usage | Input Source | Total Number of Inputs per Function |               |                       |
|-------|-------|--------------|-------------------------------------|---------------|-----------------------|
|       |       |              | For Any Function                    | For Mux       | For Limited Functions |
| F5MUX | F5MUX | LUTs         | 5                                   | 6 (4:1 mux)   | 9                     |
| FiMUX | F6MUX | F5MUX        | 6                                   | 11 (8:1 mux)  | 19                    |
|       | F7MUX | F6MUX        | 7                                   | 20 (16:1 mux) | 39                    |
|       | F8MUX | F7MUX        | 8                                   | 37 (32:1 mux) | 79                    |

### Naming Conventions

In this document and in the [Spartan-3 generation data sheets](#), the mux that serves as either F6MUX, F7MUX, or F8MUX generically is called an FiMUX (i = 6, 7, or 8). This name avoids confusion with the static CLB mux that generates the X output, which the FPGA Editor refers to as the "FXMUX". The FiMUX is always referred to as the "F6MUX" in the FPGA Editor. The timing analyzer also refers to the path through the FiMUX to the CLB pin as "TIF6Y", although it can be used as an F7MUX or F8MUX.

The library components are called MUXF5, MUXF6, MUXF7, and MUXF8. MUXF6, MUXF7, and MUXF8 use the FiMUX and restrict the placement to a specific relative location in the CLB.

## Dedicated Local Routing

A significant benefit of the dedicated multiplexers is the dedicated routing that connects between levels. Although each mux is implemented as one pass through the CLB, the outputs connect back to the CLB inputs through local interconnect with zero routing delay. The result is the same as if the muxes were in series within the CLB.

The F5MUX feeds the F5 CLB output pin, which only connects back to an FiMUX input on the same CLB (called FXINA and FXINB). The FiMUX feeds the FX CLB output pin, which also feeds back to an FiMUX input on the same CLB, or in the case of the F7MUX, also to the CLB below. If the mux result is needed elsewhere, it connects to a general-purpose CLB output (X for the F5MUX, Y for the FiMUX).

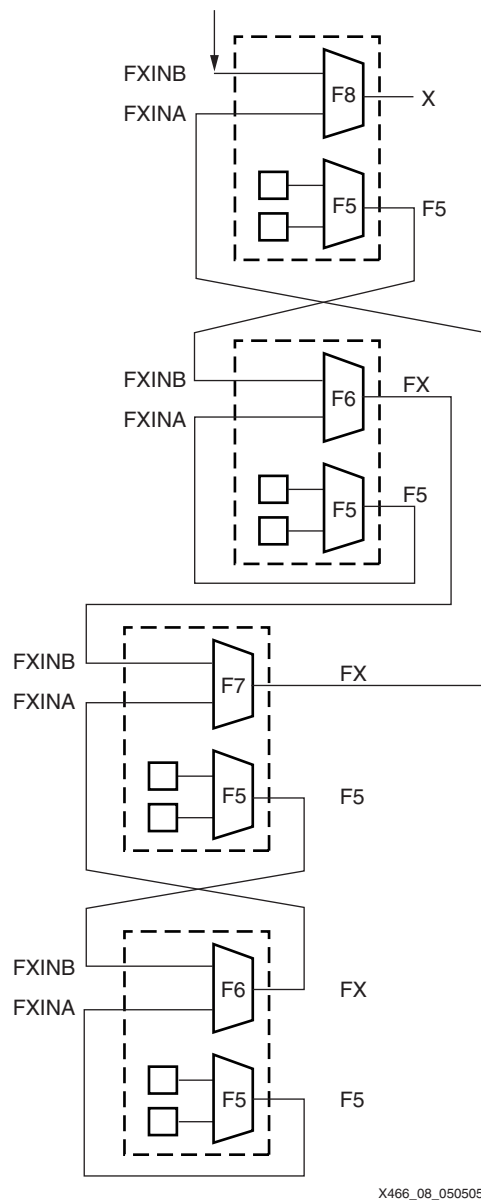


Figure 8-8: Muxes and Dedicated Feedback in a Spartan-3 Generation CLB

## Mux Select Inputs

The select inputs for the multiplexers come from general-purpose routing. The select input for the F5MUX is the BX input on the CLB, and the select input for the FiMUX is the BY input on the CLB.

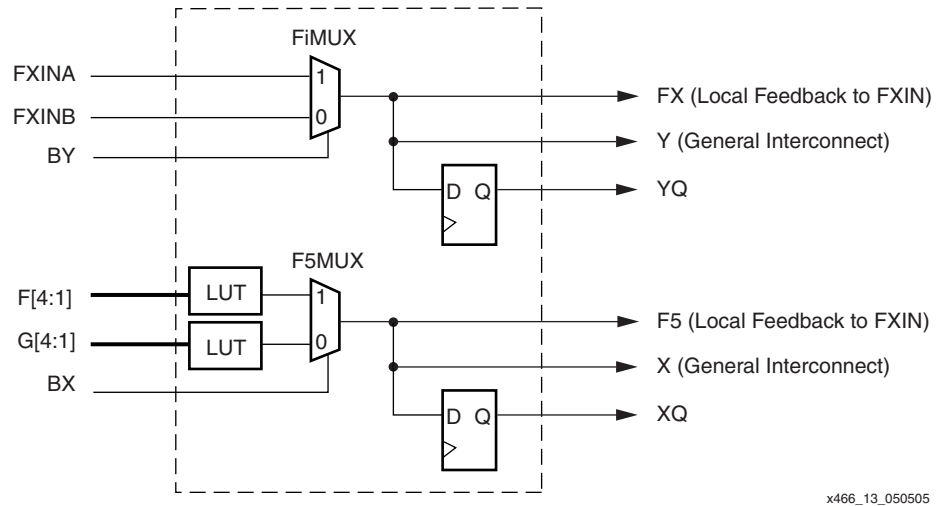


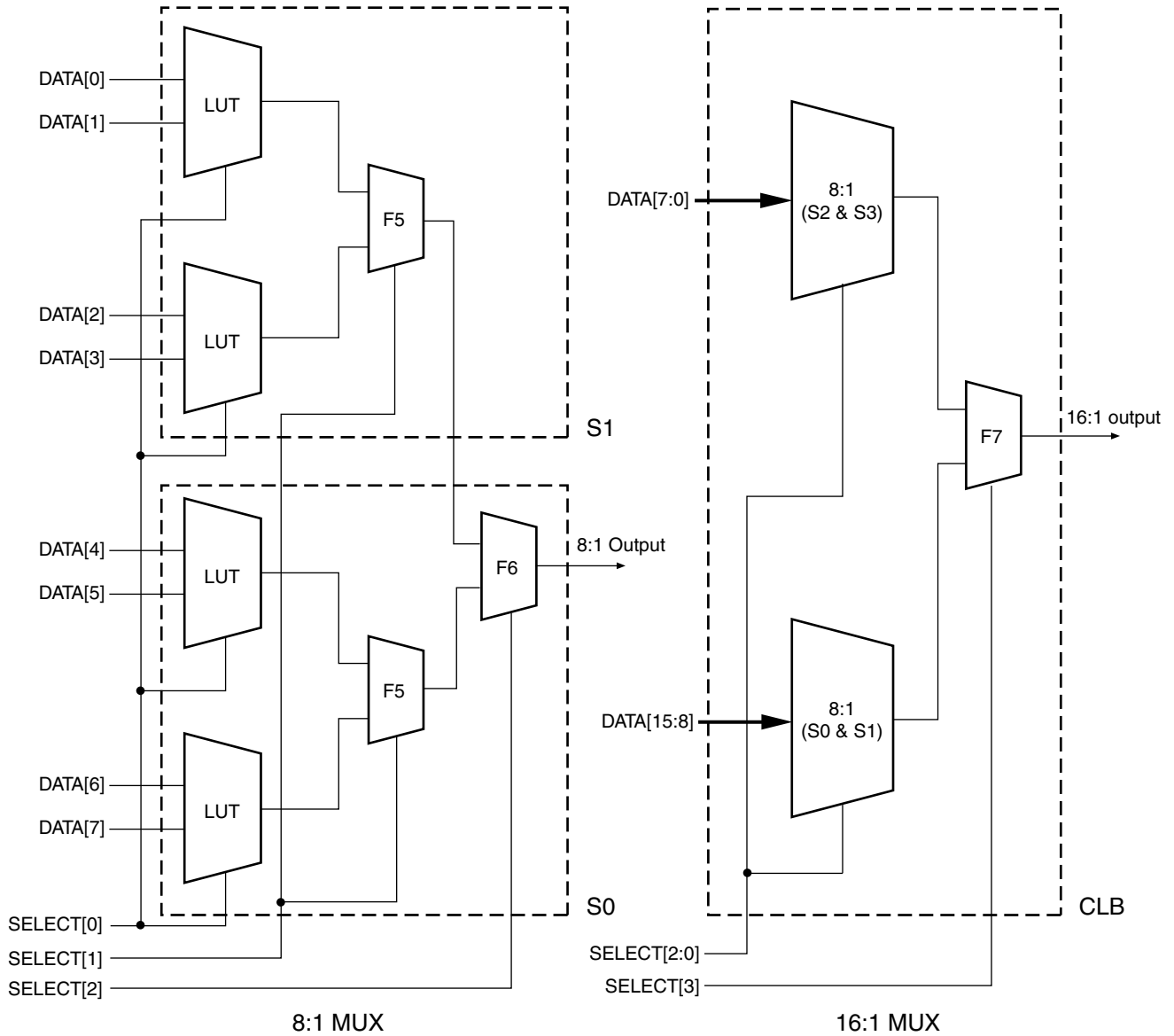
Figure 8-9: Dedicated Multiplexers in a Spartan-3 Generation CLB

x466\_13\_050505

## Implementation Examples

### Wide-Input Multiplexers

Each LUT optionally implements a 2:1 multiplexer. In each slice, the F5MUX and two LUTs can implement a 4:1 multiplexer. As shown in Figure 8-10, the F6MUX and two slices implement an 8:1 multiplexer. The F7MUX and the four slices of any CLB implement a 16:1 multiplexer, and the F8MUX and two CLBs implement a 32:1 multiplexer.



X466\_09\_030603

Figure 8-10: 8:1 and 16:1 Multiplexers

## Wide-Input Functions

Slices S0 and S2 have an F6MUX, designed to combine the outputs of two F5MUX resources. Figure 8-11 illustrates a combinatorial function up to 19 inputs in the slices S0 and S1, or in the slices S2 and S3.

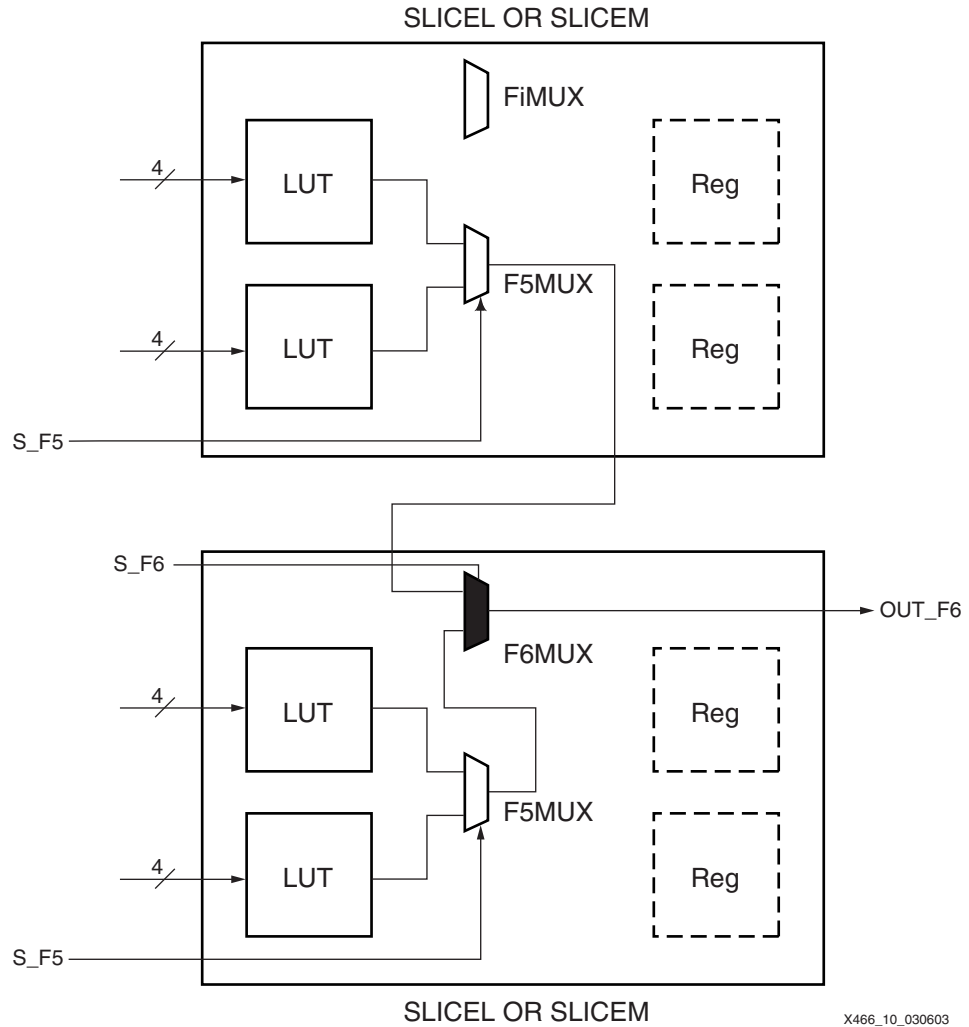
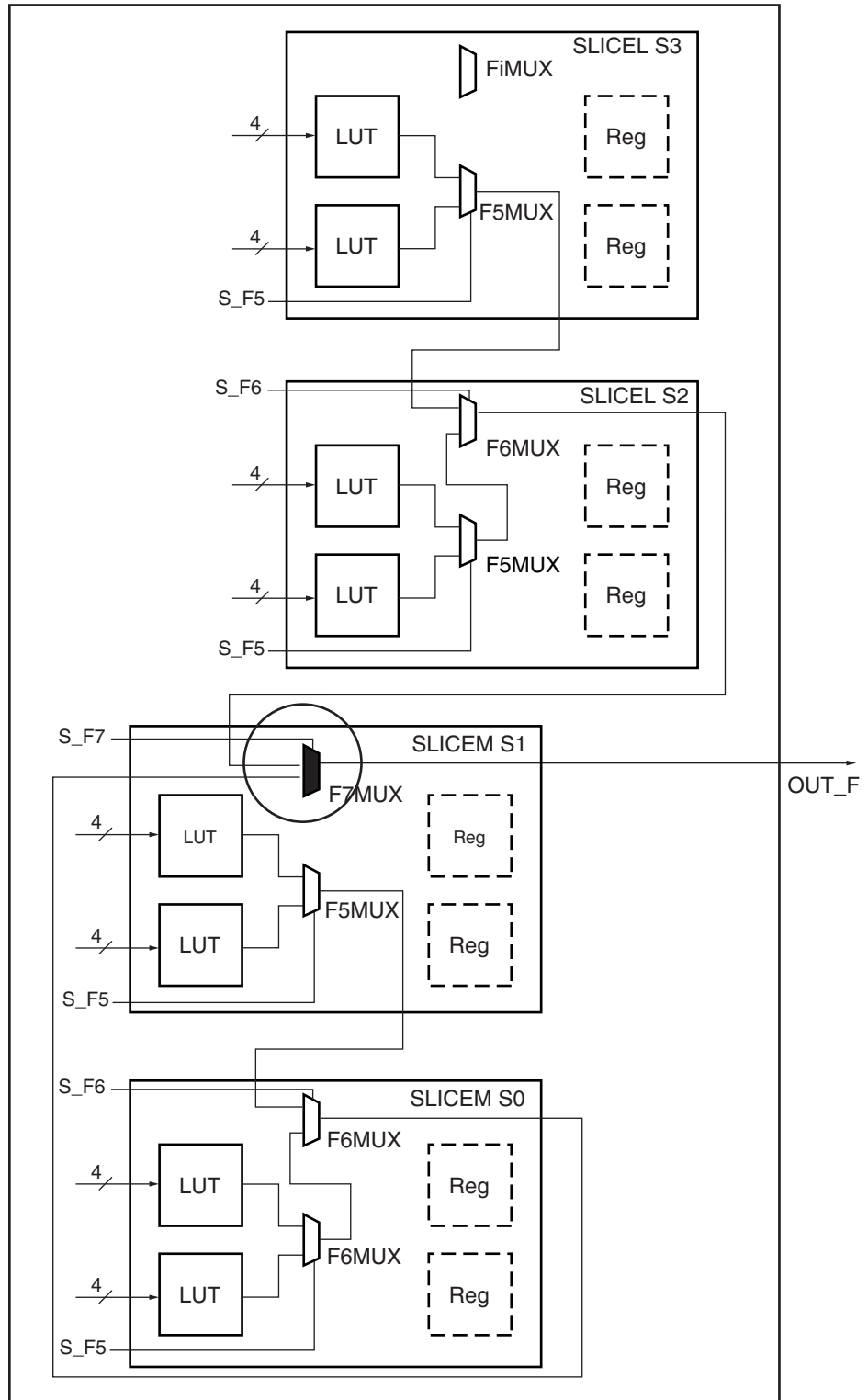


Figure 8-11: 19-input Function Using F6MUX in Two Slices

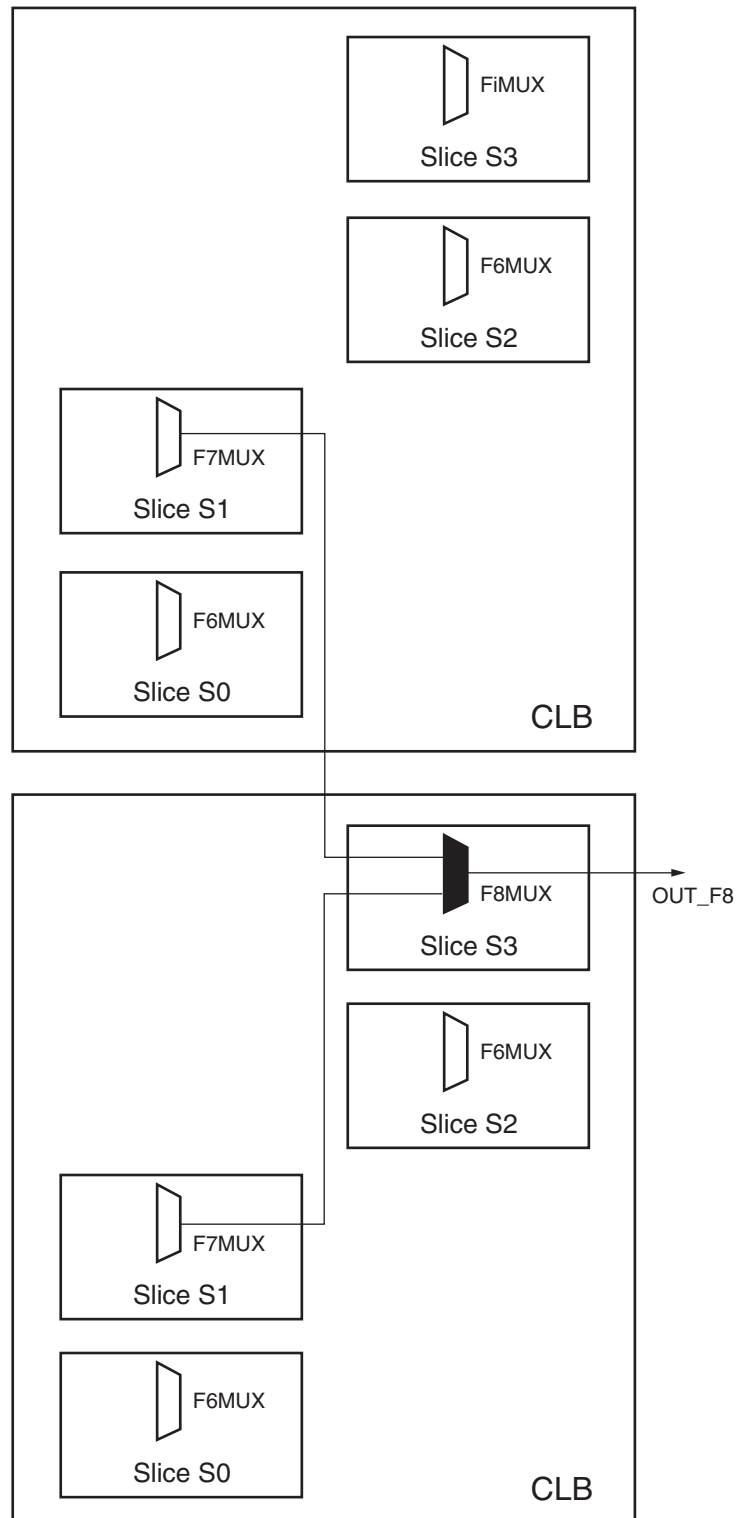
The slice S1 has an F7MUX, designed to combine the outputs of two F6MUXs. Figure 8-12 illustrates a combinatorial function up to 39 inputs in a Spartan-3 generation CLB.



X466\_11\_030603

Figure 8-12: 39-input Function Using F7MUX in One CLB

The slice S3 of each CLB has an F8MUX. Combinatorial functions of up to 79 inputs fit in two CLBs as shown in Figure 8-13. The outputs of two F7MUXs are combined through dedicated routing resources between two adjacent CLBs in a column.



X466\_12\_060606

Figure 8-13: 79-input Function Using F8MUX in Two Adjacent CLBs

## Timing Parameters

There are several possible paths through the CLB multiplexers. The two types of multiplexers are considered separately (F5MUX and FiMUX). Each multiplexer type has two types of inputs: data inputs and select lines. The output of the mux drives the local interconnect through the F5 and FX CLB pins, the general interconnect through the X and Y CLB pins, or the D input on the flip-flop. See [Figure 8-9, page 255](#) for a block diagram showing dedicated multiplexers in a Spartan-3 generation CLB. Note that although the mux functionality is identical between the slices with memory and those without, the timing values are independent and can vary slightly.

Although the multiplexers are connected in series inside the CLB, each mux actually feeds a CLB output pin, which feeds back to an input pin through zero-delay local interconnect. Thus each reported block delay element will have only one mux from input to output. The Spartan-3 generation architecture improves on the Virtex®-II architecture by providing a direct path from the F5MUX or FiMUX to the flip-flop in the CLB.

**Table 8-2: Multiplexer Timing Paths**

| Symbol      | CLB Input      | Through              | CLB Output           |
|-------------|----------------|----------------------|----------------------|
| $t_{IF5}$   | F/G LUT Inputs | LUT and F5MUX Inputs | F5                   |
| $t_{IF5X}$  | F/G LUT Inputs | LUT and F5MUX Inputs | X                    |
| $t_{IF5CK}$ | F/G LUT Inputs | LUT and F5MUX Inputs | D input on flip-flop |
| $t_{BXF5}$  | BX             | F5MUX Select         | F5                   |
| $t_{BXX}$   | BX             | F5MUX Select         | X                    |
| $t_{INAFX}$ | FXINA          | FiMUX Inputs         | FX                   |
| $t_{INBFX}$ | FXINB          | FiMUX Inputs         | FX                   |
| $t_{IF6Y}$  | FXINA or FXINB | FiMUX Inputs         | Y                    |
| $t_{BYFX}$  | BY             | FiMUX Select         | FX                   |
| $t_{BYY}$   | BY             | FiMUX Select         | Y                    |

## Programmable Polarity

As with most resources in the Spartan-3 generation FPGA, inverters are free in large multiplexers. The functions in the LUT can have inverters added to inputs or outputs with no effect on performance or utilization. The control inputs to the F5MUX (BX) and FiMUX (BY) have programmable polarity inside the CLB.

## Floorplanning Multiplexers

The wide multiplexers force a particular placement on the LUTs being combined. The LUTs must always be in the same slice for the F5MUX and in adjacent vertical slices for the wider muxes. This vertical orientation aligns nicely with the arithmetic logic.

The wide multiplexers cannot be used in conjunction with the arithmetic logic because the arithmetic XOR gate is multiplexed with the F5MUX result. Also, the 32x1 configuration of the distributed RAM uses the F5MUX for the fifth address input.



## Related Uses of Multiplexers

### Multiplexers and Three-State Buffers

The LUT and mux resources multiplex one of several input signals onto an internal routing resource, using the routing like an internal bus. This is equivalent to the BUFT-based multiplexers found in other FPGA architectures. In most modern FPGA families, these three-state buffers actually are implemented as dedicated logic gates to avoid possible contention when more than one is enabled at a time. The Spartan-3 generation families reduce die size and cost by eliminating the overhead of these internal three-state buffer gates. Instead, internal functions defined as a three-state buffer in the Spartan-3 generation families must be implemented in the LUTs and dedicated muxes.

The CLB multiplexers provide binary encoding of the select lines, requiring fewer signals than the one-hot encoding of the BUFT-based multiplexers. CLB-based multiplexers have no limit on width as BUFT-based multiplexers did, nor any special placement considerations.

The BUFT component, representing a three-state buffer, is not available in the Spartan-3 generation libraries, except for the output function in the IOBs. The CORE Generator functions of the BUFT-based Multiplexer (and the equivalent BUFE-based Multiplexer) will be implemented as multiplexers in the CLBs.

### Using Memory in Place of Multiplexers

To optimize designs, consider replacing multiplexers with memories. A 4:1 mux requires two LUTs and an F5MUX. If the inputs are static, the same function can be thought of as a 4-bit memory and can fit in less than one LUT. In fact, the LUT can be considered to be a 16:1 mux with the LUT inputs serving as the select lines. In any situation where the mux inputs are static, a memory-based implementation saves resources by using the built-in address decode as the mux logic. The 32x1 distributed RAM uses the F5MUX for the fifth address input. For more information, see [Chapter 6, “Using Look-Up Tables as Distributed RAM.”](#)

A 4:1 mux with changeable inputs still can be built in one level of logic using the LUT RAM by reprogramming the RAM as the method of selecting one of the four inputs. An easy way of doing this is to use the SRL16 mode to write data into the RAM in 16 clock cycles. For more information, see [Chapter 7, “Using Look-Up Tables as Shift Registers \(SRL16\).”](#)

Creative design concepts such as these can save significant resources. More information is found in the [WP273 “Performance + Time = Memory \(Cost-saving with 3-D Design\)”](#).

### Other Multiplexers

The CLB also contains other multiplexers for routing signals through the logic resources. The CYMUX for propagating carry signals is the only other dynamic mux. Several other muxes are used for selecting one of multiple paths. One is called the FXMUX in the FPGA Editor, since it routes the F LUT signal to the X CLB output. Do not confuse this static mux with the FXMUX name that is sometimes used for the FiMUX described here.

When multiplexing clock signals, remember to use the BUFGMUX, which helps eliminate glitches on the resulting clock. Another special multiplexer is found in the I/O to support DDR interfaces. The DDR mux combines two signals onto one output by automatically muxing back and forth between them as they are clocked into the IOB. See the [Spartan-3 generation data sheets](#) for more information on these other multiplexing features.

## Designing with Multiplexers

There are several ways multiplexers can be used in a design. The most common is to simply have them inferred by synthesis tools when appropriate for a design. Library primitives can be used to instantiate specific multiplexers. This document provides HDL submodules that combine the library primitives into larger muxes. The CORE Generator system includes the Bus Multiplexer and Bit Multiplexer functions, and many other CORE solutions take advantage of the dedicated multiplexers.

### Inference

Multiplexers are typically inferred by a conditional statement, most commonly the CASE or IF-THEN-ELSE statement. The IF statement generally produces priority-encoded logic. The CASE statement is more likely to generate an optimized multiplexer.

Synthesis options can determine whether multiplexers are inferred and how they are implemented. For XST, the MUX\_EXTRACT constraint specifies whether multiplexers are inferred, and the MUX\_STYLE constraint specifies whether they are implemented in the dedicated logic multiplexers or the carry multiplexers (CY\_MUX). The default is to infer automatically the best resource.

CASE statements should be full (all branches defined) to avoid creating a latch. Undefined branches assume the current value needs to be maintained, implying memory. They also should be parallel (branch conditions all mutually exclusive) to avoid a priority encoder. Some synthesis tools, such as XST, have options to assume full and parallel CASE statements even if not written that way. It is good practice to include a “When Others” (VHDL) or “Default” (Verilog) branch to make sure even undefined inputs do not generate a latch.

An IF statement can contain a set of different expressions while a CASE statement is evaluated against a common controlling expression. In general, use the CASE statement for complex decoding and use the IF statement for speed critical paths.

Most current synthesis tools can determine if the IF-ELSIF conditions are mutually exclusive, and will not create extra logic to build the priority tree. The following are points to consider when writing IF statements:

- Make sure that all outputs are defined in all branches of an IF statement. If not, they can create latches or long equations on the CE signal. A good way to prevent this is to have default values for all outputs before the IF statements.
- Limit the number of input signals into an IF statement to reduce the number of logic levels. If there are a large number of input signals, see if some of them can be predecoded and registered before the IF statement.
- Avoid bringing the dataflow into a complex IF statement. Only control signals should be generated in complex IF-ELSE statements.

Make sure you do not write the code such that your synthesis tool will infer BUFT-based multiplexers. A BUFT-based multiplexer usually requires a statement with a "Z" value. Some synthesis tools might automatically or optionally convert BUFT logic to multiplexers.

A decoder is a special case of a multiplexer where the inputs are fixed as one-hot values. Decoders of up to 4:16 in size are easily implemented in individual LUTs for each output and do not need to use the dedicated multiplexers, or they can even use the Carry muxes for high performance.

The following subsections provide examples of 2:1 muxes described using the CASE statement in Verilog and VHDL code.

## Verilog Inference

```
module MUX_2_1 (DATA_I, SELECT_I, DATA_O);

input [1:0]DATA_I;
input SELECT_I;

output DATA_O;
reg DATA_O;

always @ (DATA_I or SELECT_I)

 case (SELECT_I)
 1'b0 : DATA_O <= DATA_I[0];
 1'b1 : DATA_O <= DATA_I[1];
 default : DATA_O <= 1'bx;
 endcase

endmodule
```

## VHDL Inference

```
entity MUX_2_1 is
 port (
 DATA_I: in std_logic_vector (1 downto 0);
 SELECT_I: in std_logic;
 DATA_O: out std_logic
);
end MUX_2_1;

architecture MUX_2_1_arch of MUX_2_1 is
 --
begin
 --
 SELECT_PROCESS: process (SELECT_I, DATA_I)
 begin
 case SELECT_I is
 when '0' => DATA_O <= DATA_I (0);
 when '1' => DATA_O <= DATA_I (1);
 when others => DATA_O <= 'X';
 end case;
 end process SELECT_PROCESS;
 --
end MUX_2_1_arch;
```

## Library Primitives

Four library primitives are available that offer access to the dedicated multiplexers in each slice: MUXF5, MUXF6, MUXF7, and MUXF8. These use the F5MUX and FiMUX CLB resources (see [“Naming Conventions,”](#) page 253). Each of the multiplexer primitives looks identical (see [Figure 8-14](#)). The actual selection simply determines where in the CLB the multiplexer can be located, as shown in [Table 8-5](#).

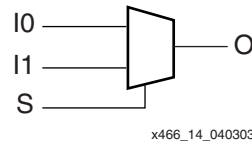


Figure 8-14: MUXF5 Primitive

Table 8-3: MUX Inputs and Outputs

| Signal | Function                                                                                                                                                                                   |
|--------|--------------------------------------------------------------------------------------------------------------------------------------------------------------------------------------------|
| I0     | Input selected when S is Low                                                                                                                                                               |
| I1     | Input selected when S is High                                                                                                                                                              |
| S      | Select input                                                                                                                                                                               |
| LO     | Local Output that connects to the F5 or FX CLB pins, which use local feedback to the FXIN inputs to the FiMUX for cascading (see <a href="#">“Modeling Local Output Timing,”</a> page 265) |
| O      | General Output that connects to the general-purpose combinatorial or registered outputs of the CLB                                                                                         |

Table 8-4: MUX Function

| Inputs |    |    | Outputs |    |
|--------|----|----|---------|----|
| S      | I0 | I1 | O       | LO |
| 0      | 1  | X  | 1       | 1  |
| 0      | 0  | X  | 0       | 0  |
| 1      | X  | 1  | 1       | 1  |
| 1      | X  | 0  | 0       | 0  |

Table 8-5: Multiplexer Resources

| Primitive | Slice          | Physical Location | Control | Input  | Output |
|-----------|----------------|-------------------|---------|--------|--------|
| MUXF5     | S0, S1, S2, S3 | F5MUX             | S       | I0, I1 | O      |
| MUXF6     | S0, S2         | FiMUX             | S       | I0, I1 | O      |
| MUXF7     | S1             | FiMUX             | S       | I0, I1 | O      |
| MUXF8     | S3             | FiMUX             | S       | I0, I1 | O      |

The generic multiplexer components also can take advantage of the dedicated multiplexers. The M2\_1 schematic library component is implemented in a LUT, while the larger multiplexers in the library use the F5MUX and FiMUX components.

## Enable Signals in Multiplexers

An enable signal on a multiplexer can be used to keep the multiplexer output Low when disabled. Although the dedicated multiplexers do not have enable signals, the enable can be implemented on the preceding 2:1 mux that will be implemented in a LUT. The M4\_1E and M8\_1E schematic library components are built this way, using the F5MUX and F6MUX

for the final result, respectively, while the M16\_1E schematic library component keeps the enable on the final mux, forcing it into a LUT instead of the F7MUX. Figure 8-15 shows the M4\_1E schematic library component logic.

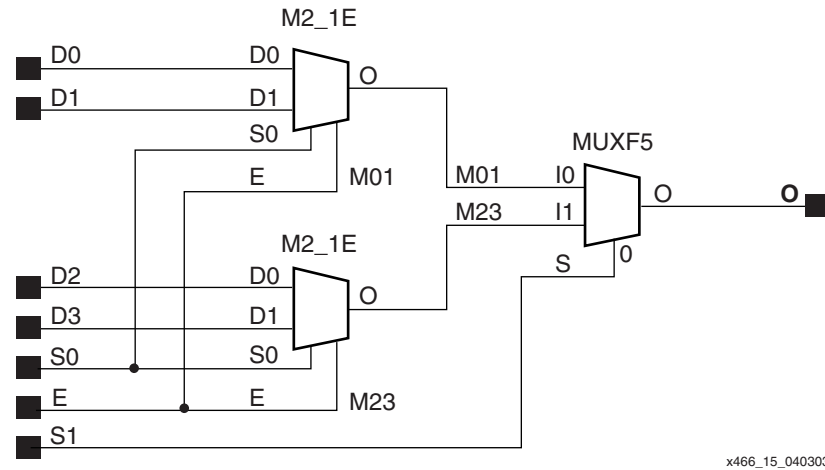


Figure 8-15: M4\_1E Library Component Logic

### Modeling Local Output Timing

There are also two alternative versions of each library component that are functionally identical but can be used for more accurate timing estimation before implementation. As mentioned previously, the multiplexers can drive one or both CLB outputs. The first output is the special CLB output that feeds directly back through local interconnect to the next multiplexer in series, known as the local output. The second output is the general-purpose CLB output, which can be routed to any other logic. For better pre-implementation timing estimation, the user can substitute special primitives that specify whether to use the local output timing or the general-purpose output timing. The MUXF5\_L primitive models the local output, while the MUXF5\_D primitive models both output paths (see Figure 8-16). The functionality is identical to that for the MUXF5 primitive.

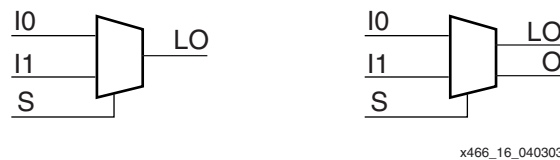


Figure 8-16: MUXF5\_L and MUXF5\_D Primitives to Model Local Output Timing

### Submodules

In addition to the primitives, five submodules that implement multiplexers from 2:1 to 32:1 are provided in VHDL and Verilog code. Synthesis tools can automatically infer the above primitives (MUXF5, MUXF6, MUXF7, and MUXF8); however, the submodules described in this section use instantiation of the multiplexers to guarantee an optimized result. Table 8-6 lists available submodules.

- [xapp466\\_vhdl.zip](#)
- [xapp466\\_vhdl.zip](#)

Table 8-6: Available Submodules

| Submodule     | Multiplexer | Control       | Input        | Output |
|---------------|-------------|---------------|--------------|--------|
| MUX_2_1_SUBM  | 2:1         | SELECT_I      | DATA_I[1:0]  | DATA_O |
| MUX_4_1_SUBM  | 4:1         | SELECT_I[1:0] | DATA_I[3:0]  | DATA_O |
| MUX_8_1_SUBM  | 8:1         | SELECT_I[2:0] | DATA_I[7:0]  | DATA_O |
| MUX_16_1_SUBM | 16:1        | SELECT_I[3:0] | DATA_I[15:0] | DATA_O |
| MUX_32_1_SUBM | 32:1        | SELECT_I[4:0] | DATA_I[31:0] | DATA_O |

## Port Signals

### Data In — DATA\_I

The data input provides the data to be selected by the SELECT\_I signal(s).

### Control In — SELECT\_I

The select input signal or bus determines the DATA\_I signal to be connected to the output DATA\_O. For example, the MUX\_4\_1\_SUBM multiplexer has a 2-bit SELECT\_I bus and a 4-bit DATA\_I bus. Table 8-7 shows the DATA\_I selected for each SELECT\_I value.

Table 8-7: Selected Inputs

| SELECT_I[1:0] | DATA_O    |
|---------------|-----------|
| 0 0           | DATA_I[0] |
| 0 1           | DATA_I[1] |
| 1 0           | DATA_I[2] |
| 1 1           | DATA_I[3] |

### Data Out — DATA\_O

The data output O provides the data value (1 bit) selected by the control inputs.

## Applications

Multiplexers are used in various applications. These are often inferred by synthesis tools when a “case” statement is used (see the example below). Comparators, encoder-decoders, and wide-input combinatorial functions are optimized when they are based on one level of LUTs and dedicated multiplexer resources of the Spartan-3 generation CLBs.

## VHDL and Verilog Instantiation

The primitives (MUXF5, MUXF6, and so forth) can be instantiated in VHDL or Verilog code, to design wide-input functions.

The submodules (MUX\_2\_1\_SUBM, MUX\_4\_1\_SUBM, and so forth) can be instantiated in VHDL or Verilog code to implement multiplexers. However, the corresponding submodule must be added to the design directory as a hierarchical submodule. For example, if a module is using the MUX\_16\_1\_SUBM, the MUX\_16\_1\_SUBM.vhd file (VHDL code) or MUX\_16\_1\_SUBM.v file (Verilog code) must be compiled with the design

source code. The submodule code can also be “cut and pasted” into the designer source code.

## VHDL and Verilog Submodules

VHDL and Verilog submodules are available to implement multiplexers up to 32:1. They illustrate how to design with the MUX resources. When synthesis infers the corresponding MUX resource(s), the VHDL or Verilog code is behavioral code (“case” statement). Otherwise, the equivalent “case” statement is provided in comments and the correct MUX resources are instantiated. However, most synthesis tools support the inference of all of the MUXs. The following examples can be used as guidelines for designing other wide-input functions.

The following submodules are available:

- MUX\_2\_1\_SUBM (behavioral code)
- MUX\_4\_1\_SUBM
- MUX\_8\_1\_SUBM
- MUX\_16\_1\_SUBM
- MUX\_32\_1\_SUBM

The corresponding submodules have to be synthesized with the design.

The submodule MUX\_16\_1\_SUBM is provided in VHDL and Verilog as an example:

### VHDL Template

```
-- Module: MUX_16_1_SUBM
-- Description: Multiplexer 16:1
--
-- Device: Spartan-3 Family

library IEEE;
use IEEE.std_logic_1164.all;

library UNISIM;
use UNISIM.VCOMPONENTS.ALL;

entity MUX_16_1_SUBM is
 port (
 DATA_I: in std_logic_vector (15 downto 0);
 SELECT_I: in std_logic_vector (3 downto 0);
 DATA_O: out std_logic
);
end MUX_16_1_SUBM;

architecture MUX_16_1_SUBM_arch of MUX_16_1_SUBM is
-- Component Declarations:
component MUXF7
 port (
 I0: in std_logic;
 I1: in std_logic;
 S: in std_logic;
 O: out std_logic
);
end component;
--
-- Signal Declarations:
```

```

signal DATA_MSB : std_logic;
signal DATA_LSB : std_logic;
--
begin
--
-- If synthesis tools support MUXF7 :
--SELECT_PROCESS: process (SELECT_I, DATA_I)
--begin
--case SELECT_I is
-- when "0000" => DATA_O <= DATA_I (0);
-- when "0001" => DATA_O <= DATA_I (1);
-- when "0010" => DATA_O <= DATA_I (2);
-- when "0011" => DATA_O <= DATA_I (3);
-- when "0100" => DATA_O <= DATA_I (4);
-- when "0101" => DATA_O <= DATA_I (5);
-- when "0110" => DATA_O <= DATA_I (6);
-- when "0111" => DATA_O <= DATA_I (7);
-- when "1000" => DATA_O <= DATA_I (8);
-- when "1001" => DATA_O <= DATA_I (9);
-- when "1010" => DATA_O <= DATA_I (10);
-- when "1011" => DATA_O <= DATA_I (11);
-- when "1100" => DATA_O <= DATA_I (12);
-- when "1101" => DATA_O <= DATA_I (13);
-- when "1110" => DATA_O <= DATA_I (14);
-- when "1111" => DATA_O <= DATA_I (15);
-- when others => DATA_O <= 'X';
--end case;
--end process SELECT_PROCESS;
--
-- If synthesis tools DO NOT support MUXF7 :
SELECT_PROCESS_LSB: process (SELECT_I, DATA_I)
begin
 case SELECT_I (2 downto 0) is
 when "000" => DATA_LSB <= DATA_I (0);
 when "001" => DATA_LSB <= DATA_I (1);
 when "010" => DATA_LSB <= DATA_I (2);
 when "011" => DATA_LSB <= DATA_I (3);
 when "100" => DATA_LSB <= DATA_I (4);
 when "101" => DATA_LSB <= DATA_I (5);
 when "110" => DATA_LSB <= DATA_I (6);
 when "111" => DATA_LSB <= DATA_I (7);
 when others => DATA_LSB <= 'X';
 end case;
end process SELECT_PROCESS_LSB;
--
SELECT_PROCESS_MSB: process (SELECT_I, DATA_I)
begin
 case SELECT_I (2 downto 0) is
 when "000" => DATA_MSB <= DATA_I (8);
 when "001" => DATA_MSB <= DATA_I (9);
 when "010" => DATA_MSB <= DATA_I (10);
 when "011" => DATA_MSB <= DATA_I (11);
 when "100" => DATA_MSB <= DATA_I (12);
 when "101" => DATA_MSB <= DATA_I (13);
 when "110" => DATA_MSB <= DATA_I (14);
 when "111" => DATA_MSB <= DATA_I (15);
 when others => DATA_MSB <= 'X';
 end case;
end process SELECT_PROCESS_MSB;

```



```

--
-- MUXF7 instantiation
U_MUXF7: MUXF7
 port map (
 I0 => DATA_LSB,
 I1 => DATA_MSB,
 S => SELECT_I (3),
 O => DATA_O
);
--
end MUX_16_1_SUBM_arch;
--

```

### Verilog Template

```

// Module: MUX_16_1_SUBM
//
// Description: Multiplexer 16:1
// Device: Spartan-3 Family
//-----
//
module MUX_16_1_SUBM (DATA_I, SELECT_I, DATA_O);

input [15:0]DATA_I;
input [3:0]SELECT_I;

output DATA_O;

wire [2:0]SELECT;

reg DATA_LSB;
reg DATA_MSB;

assign SELECT[2:0] = SELECT_I[2:0];

/*
//If synthesis tools support MUXF7 :
always @ (DATA_I or SELECT_I)

 case (SELECT_I)
 4'b0000 : DATA_O <= DATA_I[0];
 4'b0001 : DATA_O <= DATA_I[1];
 4'b0010 : DATA_O <= DATA_I[2];
 4'b0011 : DATA_O <= DATA_I[3];
 4'b0100 : DATA_O <= DATA_I[4];
 4'b0101 : DATA_O <= DATA_I[5];
 4'b0110 : DATA_O <= DATA_I[6];
 4'b0111 : DATA_O <= DATA_I[7];
 4'b1000 : DATA_O <= DATA_I[8];
 4'b1001 : DATA_O <= DATA_I[9];
 4'b1010 : DATA_O <= DATA_I[10];
 4'b1011 : DATA_O <= DATA_I[11];
 4'b1100 : DATA_O <= DATA_I[12];
 4'b1101 : DATA_O <= DATA_I[13];
 4'b1110 : DATA_O <= DATA_I[14];
 4'b1111 : DATA_O <= DATA_I[15];
 default : DATA_O <= 1'bx;
 endcase
*/

```

```

//If synthesis tools do not support MUXF7 :
always @ (SELECT or DATA_I)

 case (SELECT)
 3'b000 : DATA_LSB <= DATA_I[0];
 3'b001 : DATA_LSB <= DATA_I[1];
 3'b010 : DATA_LSB <= DATA_I[2];
 3'b011 : DATA_LSB <= DATA_I[3];
 3'b100 : DATA_LSB <= DATA_I[4];
 3'b101 : DATA_LSB <= DATA_I[5];
 3'b110 : DATA_LSB <= DATA_I[6];
 3'b111 : DATA_LSB <= DATA_I[7];
 default : DATA_LSB <= 1'bx;
 endcase

always @ (SELECT or DATA_I)

 case (SELECT)
 3'b000 : DATA_MSB <= DATA_I[8];
 3'b001 : DATA_MSB <= DATA_I[9];
 3'b010 : DATA_MSB <= DATA_I[10];
 3'b011 : DATA_MSB <= DATA_I[11];
 3'b100 : DATA_MSB <= DATA_I[12];
 3'b101 : DATA_MSB <= DATA_I[13];
 3'b110 : DATA_MSB <= DATA_I[14];
 3'b111 : DATA_MSB <= DATA_I[15];
 default : DATA_MSB <= 1'bx;
 endcase

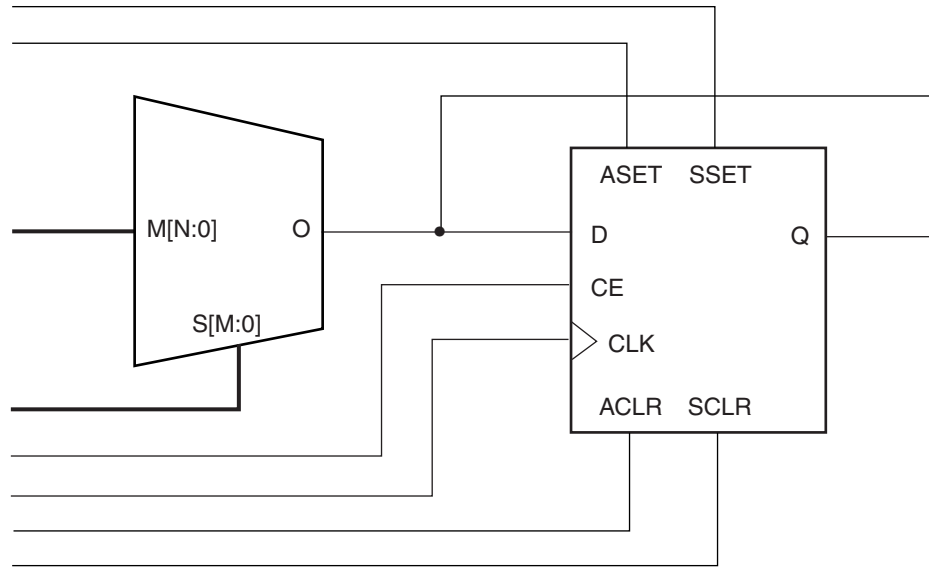
// MUXF7 instantiation

MUXF7 U_MUXF7 (.I0(DATA_LSB),
 .I1(DATA_MSB),
 .S(SELECT_I[3]),
 .O(DATA_O)
);
endmodule

```

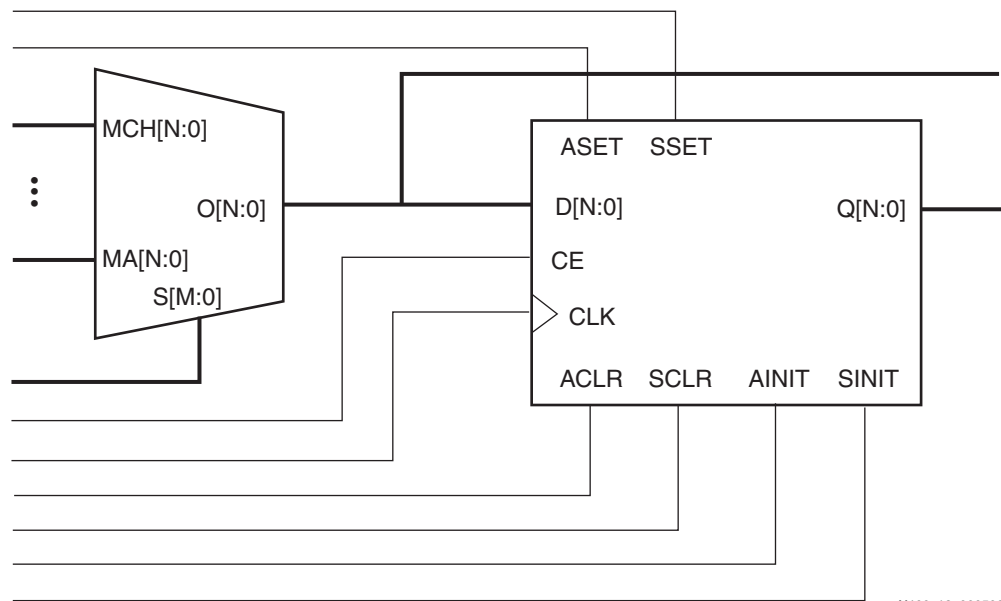
## CORE Generator System

The CORE Generator system offers the basic logic functions of the Bit Multiplexer and the Bus Multiplexer. The Bit Multiplexer, shown in [Figure 8-17](#), supports sizes up to 256 inputs. The Bus Multiplexer, shown in [Figure 8-18](#), supports muxes of up to 32 inputs for buses of up to 256 bits each. These core solutions have a parameter Mux Type to select a BUFT or LUT based multiplexer. Select the appropriate radio button in the CORE Generator system for the construction of the multiplexer. The default setting is LUT based, which is required for Spartan-3 generation multiplexers. The CORE Generator system also offers options for registering the output of the multiplexer.



x465\_17\_041003

Figure 8-17: Bit Multiplexer CORE Symbol



X466\_18\_060506

Figure 8-18: Bus Multiplexer CORE Symbol

The CORE Generator system also offers the specific functions of the BUFT-based Multiplexer (and the equivalent BUFE-based Multiplexer). As with the generic Bit and Bus Multiplexers, they are implemented in LUTs and/or muxes.

## Related Materials

The following document provides supplementary information useful with this chapter:

[WP274: Multiplexer Selection](#)

This white paper considers a variety of ways in which multiplexers can be implemented within Xilinx FPGA devices, including some alternative techniques that can lead to more efficient and lower cost implementations.

## Summary

The dedicated multiplexers in the Spartan-3 generation architecture enable wider functions than possible in the four-input LUTs. These multiplexers are automatically used by the software tools but careful coding can help optimize their use to minimize resource requirements and improve performance of designs.

# Using Carry and Arithmetic Logic

---

## Summary

Dedicated carry and arithmetic logic improves the performance of adders, counters, comparators, multipliers, wide logic gates, and related functions in the Spartan®-3 generation FPGA family. Carry logic consists of dedicated gates, multiplexers, and routing that are independent of the general-purpose logic resources and provide both higher density and higher performance. Carry logic can be explicitly called out in the design using primitives, implemented via library or user-defined macros, or inferred by the synthesis tools. Most arithmetic components automatically use the carry logic. This chapter describes the carry logic resources and how they can be used efficiently in Spartan-3 generation FPGA designs.

## Introduction

The basic building block of the FPGA is the look-up table, or LUT. Although arithmetic functions can be implemented in the LUTs, they require the generation of a sum and a carry for every input and could quickly use up LUT and routing resources. Arithmetic functions are common enough to warrant dedicating their own special resources for implementation. The arithmetic logic allows the generation of a sum outside the LUT and the carry logic provides dedicated routing resources for cascading a carry signal between slices of a CLB and between CLBs. The carry chain cascades from the bottom to the top of each column of CLB slices.

The arithmetic logic consists of a discrete XOR component for single level sum completion, an AND gate for multiplication, and multiplexers for controlling signal flow. These gates work in conjunction with the LUTs to implement efficient arithmetic functions, including counters and multipliers, typically at two bits per slice. Each CLB provides two separate carry chains of four bits each. The resources can be used to improve the performance of arithmetic functions and can also be used to cascade LUTs for wide-input logic functions.

## Carry and Arithmetic Logic Differences between Spartan-3 Generation Families

The carry and arithmetic logic is identical among all Spartan-3 generation families. The performance varies slightly between families due to minor variations in processing and characterization. In the Spartan-3E and Extended Spartan-3A families, most of the DCMs are embedded in the CLB array, and therefore limit the maximum length of the carry chain for those CLB columns containing DCMs.

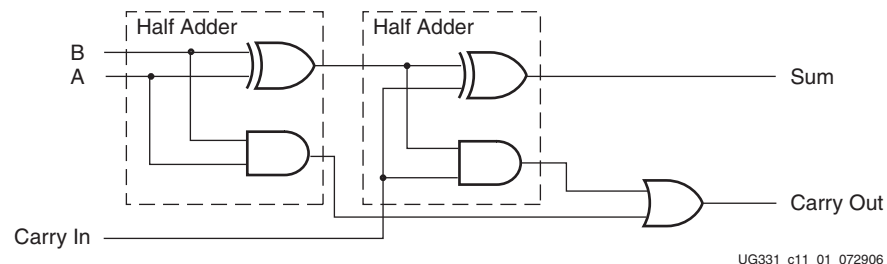
## Look-Ahead Carry Addition

To understand the basic resources of the Spartan-3 generation carry logic, it is important to understand the basics of look-ahead carry addition. Normal addition of two digits requires simply an XOR gate to generate the Sum and an AND gate to generate a Carry, as shown in [Table 9-1](#).

**Table 9-1: Binary Addition**

| A | B | Sum<br>(A XOR B) | Carry Out<br>(A AND B) |
|---|---|------------------|------------------------|
| 0 | 0 | 0                | 0                      |
| 0 | 1 | 1                | 0                      |
| 1 | 0 | 1                | 0                      |
| 1 | 1 | 0                | 1                      |

This logic is known as a half adder because it does not include a Carry input. Accounting for a Carry input can be done simply by repeating the half adder to add the first Sum and the Carry input and then generating a final Carry output if either half-adder generated a Carry (using an OR gate). A full adder is created as shown in [Figure 9-1](#).



**Figure 9-1: Full Adder**

This logic can easily be implemented in two LUTs with three inputs each to generate Sum and Carry. The problem with this implementation is that it requires two LUTs for every input bit, and the Carry propagates through the full LUT delay for each bit.

A better implementation is to "look ahead" and determine if the input Carry signal needs to be propagated (the inputs are different) or generated (both inputs are High). See [Table 9-2](#).

**Table 9-2: Look-Ahead Carry**

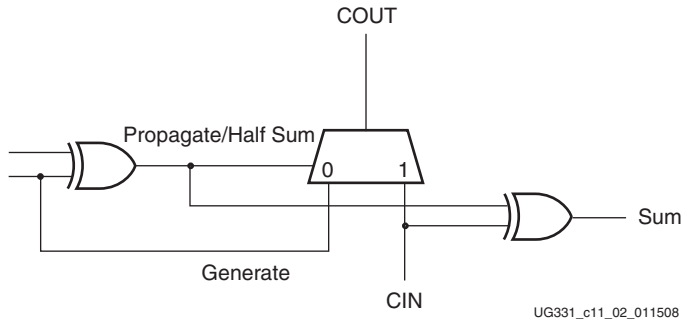
| A | B | Propagate | Generate |
|---|---|-----------|----------|
| 0 | 0 | 0         | 0        |
| 0 | 1 | 1         | 0        |
| 1 | 0 | 1         | 0        |
| 1 | 1 | 0         | 1        |

This case is similar to the half Sum and Carry values described earlier. The Propagate signal, which is the same as the half Sum in the first half adder, can be implemented using the same XOR gate.

If Propagate is not True, then  $A = B$  and either signal can be used directly as the Generate signal. Thus the Carry output can be defined by a multiplexer controlled by Propagate that

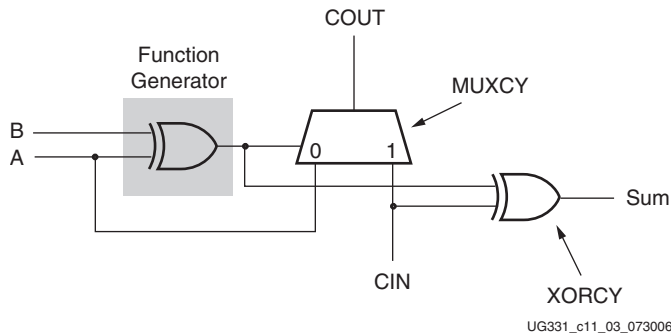
allows the Carry input through when Propagate = 1 and allows A (or B) through when Propagate = 0.

The full Sum is still generated by a second XOR gate, resulting in the logic shown in [Figure 9-2](#).



**Figure 9-2: Look-Ahead Carry Implementation**

The logic has been split into three functions that cannot all be combined into one or two LUTs. To optimize the implementation of this logic, the Spartan-3 generation CLB provides a dedicated XOR gate outside the LUT to generate the Sum, called XORCY, and a dedicated mux to provide the Carry, called MUXCY, as shown in [Figure 9-3](#).

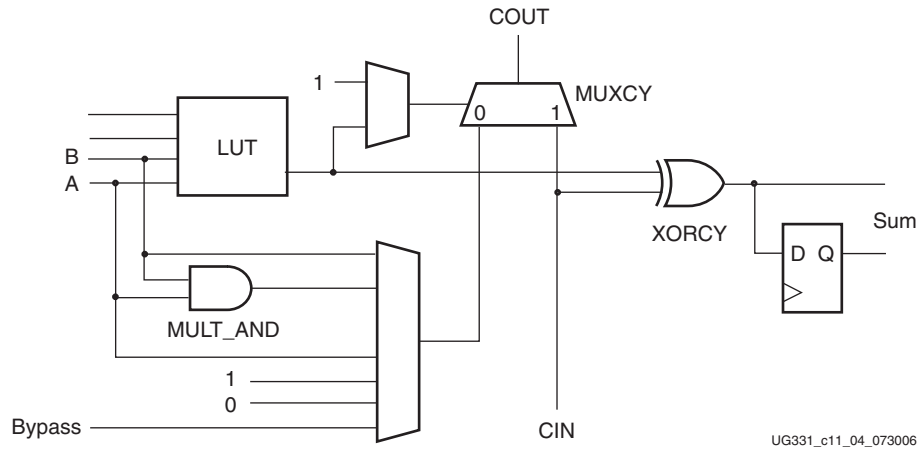


**Figure 9-3: Carry Logic in Spartan-3 Generation FPGAs**

An advantage of this structure is that it provides a very fast carry propagation, since it only requires the delay of a 2:1 mux. Also, this structure uses only one LUT, or one half of a slice, allowing two bits per slice and therefore an efficient, high-density implementation. With dedicated connections at each cascade point, from COUT to the CIN in the other half of a slice, to the CIN in the other slice in a CLB, and to the CIN of the next CLB, the carry chain can propagate up a column of CLBs with very high performance.

## Resource Details

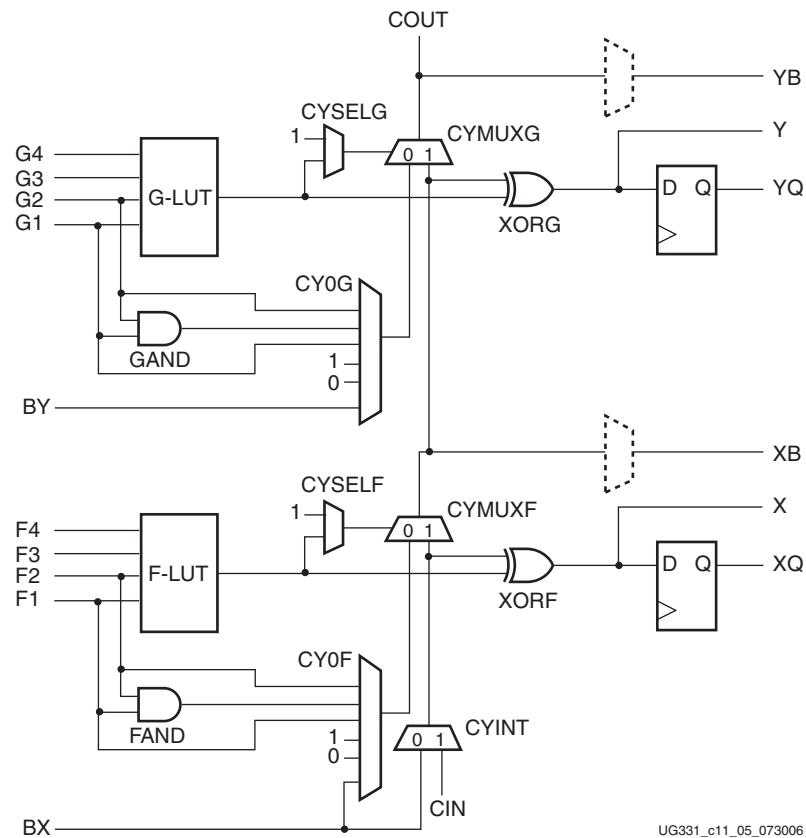
The Spartan-3 generation carry and arithmetic logic consists of dedicated CLB resources and inter-CLB routing. The logic is almost identical within the two logic cells in each of the slice and is identical in both the logic-only SLICEL and the SLICEM that adds distributed RAM capability. A simplified view of one logic cell is shown in [Figure 9-4](#).



**Figure 9-4: Simplified View of Spartan-3 Carry and Arithmetic Logic in One Logic Cell**

This implementation adds flexibility to the MUXCY beyond the standard functionality described earlier. The A/B "Generate" input to the MUXCY can come from either signal, or even an AND of the two signals. The carry chain can be initialized with a 1 or 0 or fed by an independent bypass input to MUXCY. The MUXCY control input can be fixed to 1 to always propagate the carry. The output sum, the XORCY, can be optionally registered.

Figure 9-5 shows the entire carry logic and connections for one slice. The dashed lines indicate an additional fixed multiplexer that is only found in the SLICEM half of the CLB.



**Figure 9-5: Simplified View of Carry Logic in One Slice**



## MUXCY

The dynamic mux generically referred to as MUXCY is available at both the bottom (called CYMUXF) and top (CYMUXG) of each slice.

The "0" input to the MUXCY typically comes from one of the LUT inputs. It can be fed by two of the four LUT inputs (F1 or F2 on the bottom and G1 or G2 on the top). In addition, the "0" input can come from a dedicated AND gate (MULT\_AND) of those two inputs (for multiplier functions, as discussed later). It can also be fed directly by a 0 or 1 to use it as a simple wide gate (to be discussed later). A sixth input comes from the CLB bypass input (BX or BY) as an alternative to using a LUT input, allowing the carry chain to be initialized or continued from anywhere in the device. This fixed 6:1 mux driving the 0 input on the MUXCY is called CY0F in the bottom half of the slice and CY0G in the top half.

The "1" input to the MUXCY is the carry input CIN, which also feeds the XORCY input.

The select input to the MUXCY is the LUT output, where the LUT is typically configured as an XOR gate for the Propagate selection. This is the same LUT output that provides the other XORCY input.

## Carry Chain Bypass and Initialization

To bypass the carry chain logic and always propagate the carry in signal, the MUXCY can be set to always select the "1" input. This is done via a Carry Select Mux called CYSELF or CYSELG at the bottom and top of the slice, respectively.

The "1" input to the MUXCY also supports initialization. Another mux allows the BX input to drive the MUXCY "1" input instead of CIN. This mux, CYINIT, is only available on the bottom LUT within a CLB slice. The BX signal comes from outside the CLB and can be sourced from the dedicated VCC points in the interconnect or from any LUT forced to a 0, or even from internal logic, allowed initialization to 1, 0, or a variable.

The MUXCY can also be initialized via the "0" input. The "0" input can be permanently selected by forcing the LUT to a constant 0 and selecting the LUT through the Carry Select Mux CYSELF or CYSELG. The "0" input comes from the CY0F/G signal. The CY0F/G mux, in turn, can select a fixed "0" or "1" directly for carry initialization.

## XORCY

The XOR gate generically referred to as XORCY is available at both the bottom (called XORF) and top (XORG) of each slice. The inputs are sourced by the carry signal input CIN and the LUT output. The XORCY output goes to the primary output of the logic cell (to both the combinatorial output and the flip-flop). This path goes through a fixed mux that chooses between the LUT, the wide multiplexers, or the XORCY, which is called FXMUX at the bottom and GYMUX at the top of the slice.

## Carry Logic Connections

The carry path is very fast because it has dedicated connections within and between CLBs. These dedicated connections have zero delays.

## Connections within a Slice

The carry output of the bottom half of a slice connects directly to the carry input on the top half of the slice (CYMUXF drives directly into CYMUXG), as shown in [Figure 9-5, page 276](#).

## Connections between Slices and CLBs

The carry output (COUT) of the bottom slice of one side of a CLB then connects directly to the carry in (CIN) of the top slice. This appears as a net in the design but has zero delay. SLICEM at X0Y0 connects to SLICEM X0Y1 on the left side, while SLICEL X1Y0 connects to SLICEL X1Y1 on the right side.

In addition, the COUT of the top slice on one side of a CLB, connects directly to the CIN of the bottom slice of the CLB above. This net also has a zero delay. SLICEM at X0Y1 connects to SLICEM at X0Y0 in the CLB above, and SLICEL at X1Y1 connects to SLICEL at X1Y0 in the CLB above. See [Figure 9-6, page 279](#).

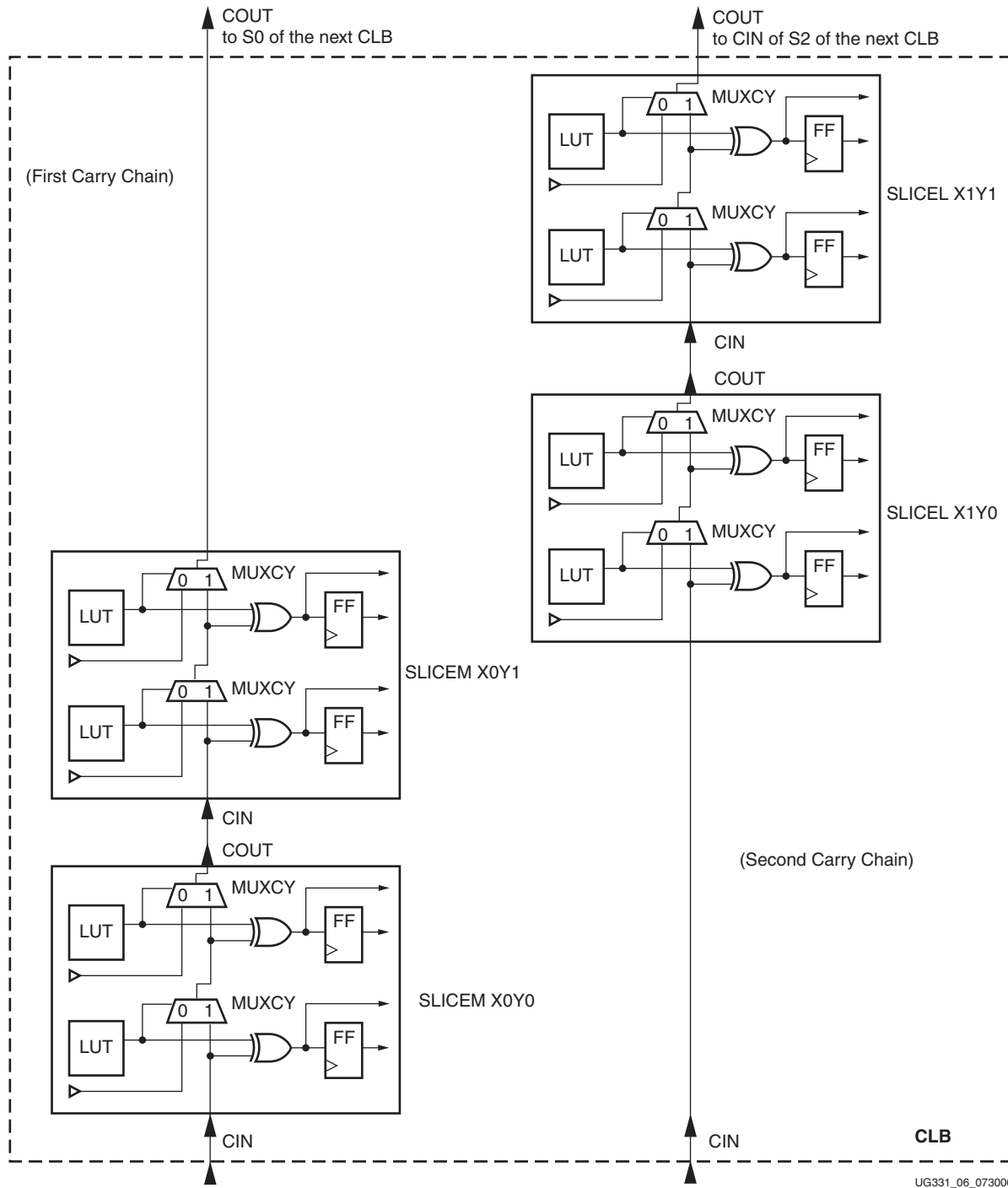


Figure 9-6: Carry Logic Connections within a CLB

As a result of the dedicated routing structure, the carry chain runs vertically up the columns of CLBs, with four bits per CLB in the two slices on one side. The other side of the CLB has a completely independent carry chain, so there are two chains per column.

The total number of carry chains is twice the number of CLB columns, as shown in Table 9-3. The number of bits per column is limited by the number of logic cells per

column. In the Spartan-3E and Spartan-3A/3AN/3A DSP architectures, some of the CLB columns are interrupted by the DCMs and provide fewer bits per column.

**Table 9-3: Number of Carry Chains per Device**

| Device       | Number of Carry Chains | Bits per Column |
|--------------|------------------------|-----------------|
| XC3S50       | 24                     | 64              |
| XC3S200      | 40                     | 96              |
| XC3S400      | 56                     | 128             |
| XC3S1000     | 80                     | 192             |
| XC3S1500     | 104                    | 256             |
| XC3S2000     | 128                    | 320             |
| XC3S4000     | 144                    | 384             |
| XC3S5000     | 160                    | 416             |
|              |                        |                 |
| XC3S100E     | 24                     | 88              |
| XC3S250E     | 36                     | 136             |
| XC3S500E     | 52                     | 184             |
| XC3S1200E    | 76                     | 240             |
| XC3S1600E    | 100                    | 304             |
|              |                        |                 |
| XC3S50A/AN   | 24                     | 64              |
| XC3S200A/AN  | 32                     | 128             |
| XC3S400A/AN  | 48                     | 160             |
| XC3S700A/AN  | 64                     | 192             |
| XC3S1400A/AN | 80                     | 288             |
|              |                        |                 |
| XC3SD1800A   | 96                     | 352             |
| XC3SD3400A   | 116                    | 416             |

Carry chains can be split or cascaded to provide even more flexibility. Splitting the carry chain means connecting the COUT of one MUXCY to the CIN signal of multiple MUXCYs, continuing the carry into two chains without having to duplicate the logic. Cascading the carry chain means connecting COUT through normal logic to a CIN other than one directly above. This can be used to continue a carry chain into a second column.

Splitting and cascading can be done since the COUT from each MUXCY not only feeds the next MUXCY up the column, but is also available at a CLB bypass output (XB on the bottom, YB on the top). These CLB outputs can only be driven by the MUXCY or by the SRL16 shiftout. Also, the CIN can come from the CLB bypass inputs BX/BY or from a LUT input in either one of the two MUXCY components.

## Multiplication Resources

Special resources are also available for multiplication. One-bit multiplication is logically very simple, requiring only sets of AND gates.

Table 9-4: Binary Multiplication

| A | B | Product (A AND B) |
|---|---|-------------------|
| 0 | 0 | 0                 |
| 0 | 1 | 0                 |
| 1 | 0 | 0                 |
| 1 | 1 | 1                 |

Multiplication of larger values is performed by generating partial products by multiplying each value by one bit of the other factor. These AND gates either allow the input value to be passed, or force the partial product completely to zero. The partial products are then added to generate the final product, as shown in Figure 9-7. The carry logic is very effective for the adder, so a common function preceding it will be the partial product multiplication.

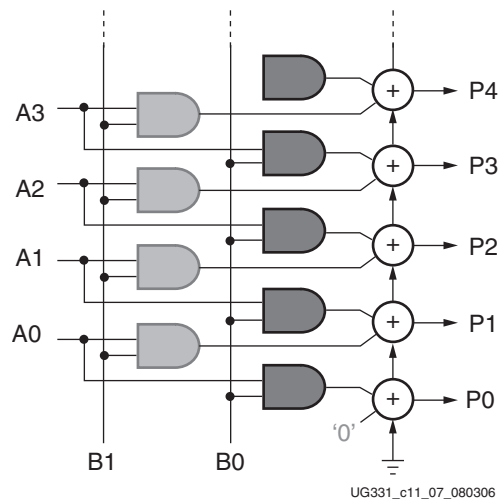


Figure 9-7: Partial Product Multiplication

While the latter stages of the addition tree are pure add functions, look at the way in which the first two partial products are formed and then applied to the first stage adder in Figure 9-7. In the majority of cases, the two adder inputs are each driven by a 2-input AND gate. As these AND gates would each occupy a LUT, a multiplier suddenly becomes very large in an FPGA. In the case of a 12-bit by 8-bit multiplier it would require  $12 \times 8 = 96$  LUTs (48 slices) just to implement the AND gates.

However, an optimization is quickly visible. The AND gate associated with one of the adder inputs can be absorbed into the LUT forming the half sum for addition. This in itself reduces the size of the 12-bit by 8-bit multiplier by 48 LUTs (24 slices).

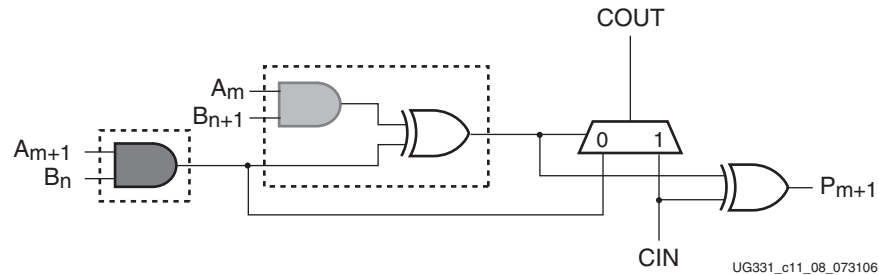


Figure 9-8: Implementing Partial Product Multiplication in a CLB

An ideal situation would be to absorb the other AND gate into the LUT, but the signal it produces is also required by the MUXCY part of the addition function. So this circuit appears to be the optimal that can be achieved.

However, Spartan-3 generation FPGAs allow this second AND gate to be absorbed. Next to each LUT is yet another component called the MULT\_AND. It has the effect of recreating the same input to the MUXCY, even though the desired signal is now buried within the LUT.

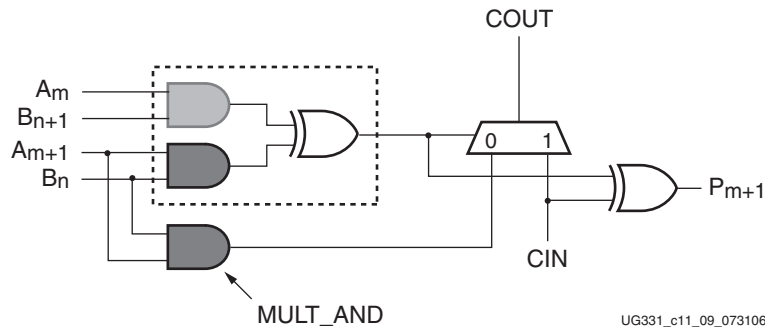


Figure 9-9: MULT\_AND Optimizes Partial Product Multiplication

The generic MULT\_AND gate is called FAND at the bottom of the slice, combining the F1 and F2 LUT inputs into the MUXCY at the bottom, CYMUXF. GAND at the top of the slice combines G1 and G2 into the MUXCY at the top, CYMUXG (see Figure 9-5).

This dedicated AND gate can be used for any other function besides a multiplier, but it can only connect to a MUXCY, which in turn can feed a CLB output to any logic.

## Component and Pin Names

Table 9-5 summarizes all the names used for the elements of the carry and arithmetic logic. Italicized names are Slice pins.

Table 9-5: Carry and Arithmetic Logic Names

| Name  | Loc in Slice | FPGA Editor Names | Inputs         | Outputs         |
|-------|--------------|-------------------|----------------|-----------------|
| XORCY | Bottom       | XORF              | CYINIT XOR F   | X (XQ)          |
| XORCY | Top          | XORG              | CYMUXF XOR G   | Y (YQ)          |
| MUXCY | Bottom       | CYMUXF            | CYINIT or CY0F | CYMUXF (and XB) |

**Table 9-5: Carry and Arithmetic Logic Names**

| Name     | Loc in Slice | FPGA Editor Names | Inputs         | Outputs       |
|----------|--------------|-------------------|----------------|---------------|
| MUXCY    | Top          | CYMUXG            | CYMUXF or CY0G | COUT (and YB) |
| CYINIT   | Bottom       | CYINIT            | CIN or BX      | CYINIT        |
| MULT_AND | Bottom       | FAND              | F1 AND F2      | CY0F          |
| MULT_AND | Top          | GAND              | G1 AND G2      | CY0G          |

COUT and YB are always the same signal in the SLICEL components (SLICEM allows driving YB from the SRL16 output). In the same way the CYMUXF output always drives the XB output in the SLICEL.

Table 9-6 summarizes the carry logic functions. For a detailed picture of the CLB slice, see Chapter 4, “Using Configurable Logic Blocks (CLBs).”

**Table 9-6: Carry Logic Functions**

| Function | Description                                                                                                                                                                                                                                                                                                                                              |
|----------|----------------------------------------------------------------------------------------------------------------------------------------------------------------------------------------------------------------------------------------------------------------------------------------------------------------------------------------------------------|
| CYINIT   | Initializes carry chain for a slice. Fixed selection of: <ul style="list-style-type: none"> <li>• CIN carry input from the slice below</li> <li>• BX input</li> </ul>                                                                                                                                                                                    |
| CY0F     | Carry generation for bottom half of slice. Fixed selection of: <ul style="list-style-type: none"> <li>• F1 or F2 inputs to the LUT (both equal 1 when a carry is to be generated)</li> <li>• FAND gate for multiplication</li> <li>• BX input for carry initialization</li> <li>• Fixed "1" or "0" input for use as a simple Boolean function</li> </ul> |
| CY0G     | Carry generation for top half of slice. Fixed selection of: <ul style="list-style-type: none"> <li>• G1 or G2 inputs to the LUT (both equal 1 when a carry is to be generated)</li> <li>• GAND gate for multiplication</li> <li>• BY input for carry initialization</li> <li>• Fixed "1" or "0" input for use as a simple Boolean function</li> </ul>    |
| CYMUXF   | Carry generation or propagation mux for bottom half of slice. Dynamic selection via CYSELF of: <ul style="list-style-type: none"> <li>• CYINIT carry propagation (CYSELF = 1)</li> <li>• CY0F carry generation (CYSELF = 0)</li> </ul>                                                                                                                   |
| CYMUXG   | Carry generation or propagation mux for top half of slice. Dynamic selection via CYSELG of: <ul style="list-style-type: none"> <li>• CYMUXF carry propagation (CYSELG = 1)</li> <li>• CY0G carry generation (CYSELG = 0)</li> </ul>                                                                                                                      |
| CYSELF   | Carry generation or propagation select for bottom half of slice. Fixed selection of: <ul style="list-style-type: none"> <li>• F-LUT output (typically XOR result)</li> <li>• Fixed "1" to always propagate</li> </ul>                                                                                                                                    |
| CYSELG   | Carry generation or propagation select for top half of slice. Fixed selection of: <ul style="list-style-type: none"> <li>• G-LUT output (typically XOR result)</li> <li>• Fixed "1" to always propagate</li> </ul>                                                                                                                                       |

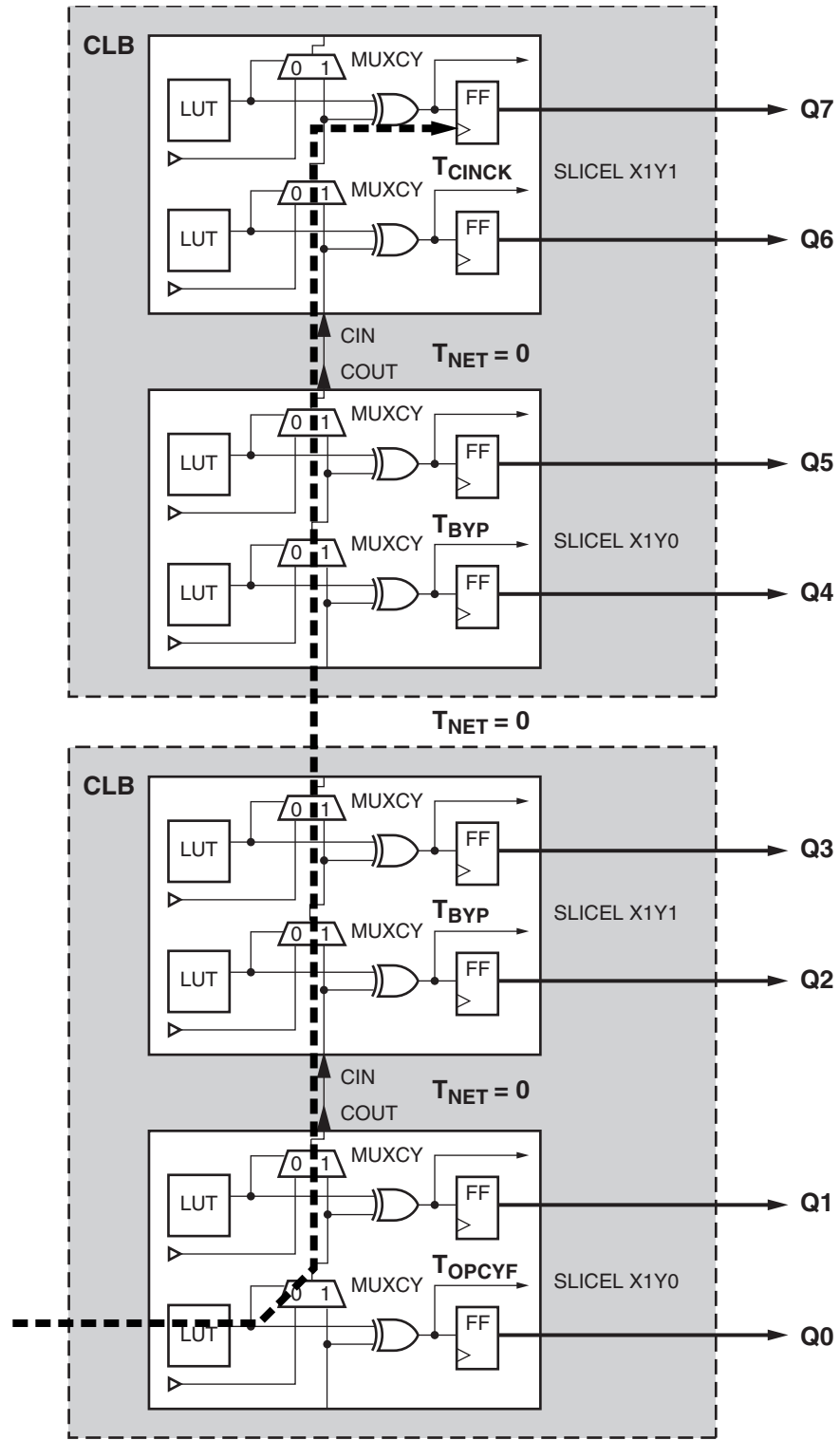
Table 9-6: Carry Logic Functions

| Function | Description                                                                                                                                                                                                                                                  |
|----------|--------------------------------------------------------------------------------------------------------------------------------------------------------------------------------------------------------------------------------------------------------------|
| XORF     | Sum generation for bottom half of slice. Inputs from: <ul style="list-style-type: none"> <li>• F-LUT</li> <li>• CYINIT carry signal from previous stage</li> </ul> Result is sent to either the combinatorial or registered output for the top of the slice. |
| XORG     | Sum generation for top half of slice. Inputs from: <ul style="list-style-type: none"> <li>• G-LUT</li> <li>• CYMUXF carry signal from previous stage</li> </ul> Result is sent to either the combinatorial or registered output for the top of the slice.    |
| FAND     | Multiplier partial product for bottom half of slice. Inputs: <ul style="list-style-type: none"> <li>• F-LUT F1 input</li> <li>• F-LUT F2 input</li> </ul> Result is sent through CY0F to become the carry generate signal into CYMUXF                        |
| GAND     | Multiplier partial product for top half of slice. Inputs: <ul style="list-style-type: none"> <li>• G-LUT G1 input</li> <li>• G-LUT G2 input</li> </ul> Result is sent through CY0G to become the carry generate signal into CYMUXG                           |

## Performance

Performance of carry logic based functions is determined by three components: the delay to get into the carry chain, the delay for each bit of the function in the carry chain, and the delay to generate the last result (see [Figure 9-10](#)). The delay to get into the carry chain is from the F inputs to the COUT output,  $t_{OPCYF}$  is approximately 0.9 ns (see [Figure 9-11](#)). The delay for each slice is the zero delay routing plus the delay from CIN to COUT, which is  $t_{BYP}$  approximately 0.2 ns (see [Figure 9-12](#)). Some functions can fit four bits per slice while most fit two bits per slice. The delay to generate the final result is typically the CIN delay to the YQ output or  $t_{CINCK}$  which is approximately 1.3 ns, or  $t_{CINY}$  for a combinatorial result, which is approximately 1.2 ns (see [Figure 9-13](#)). Thus the total delay is 2.1 ns for four bits (2.2 ns registered) plus 0.2 ns for every additional two bits.





UG331\_10\_073106

Figure 9-10: Carry Delay Path

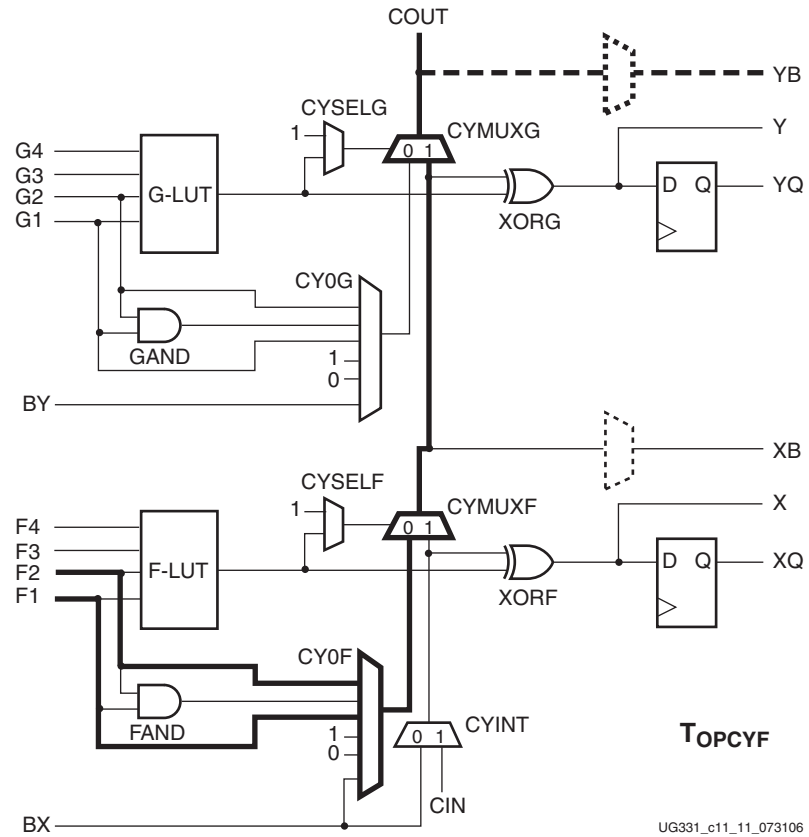


Figure 9-11: Bottom Operand Input to Carry Out, TOPCYF

UG331\_c11\_11\_073106

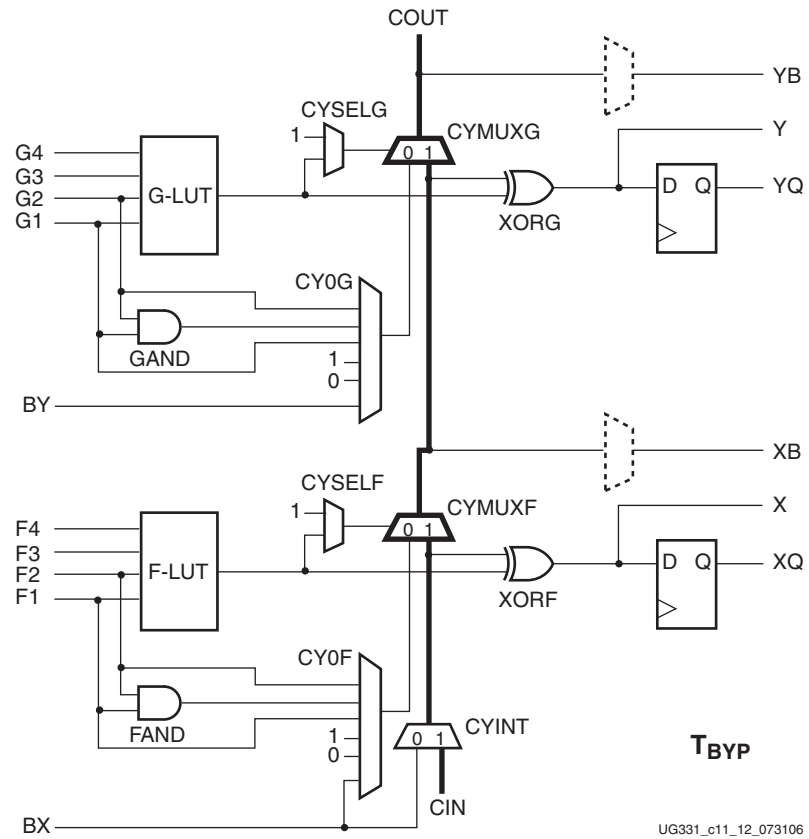


Figure 9-12: Carry Propagation,  $t_{BYP}$

UG331\_c11\_12\_073106

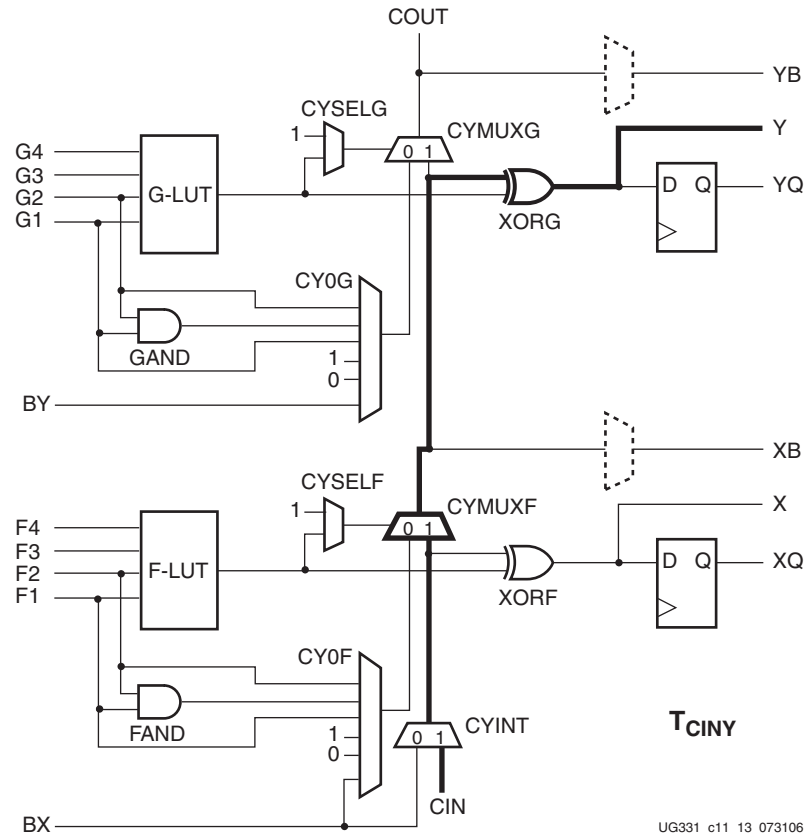


Figure 9-13: Carry Input to Top Sum Combinatorial Output,  $t_{CIN}$

Optimize the delays to get to and from the carry-based function. Bring the source inputs close to the carry function; use registered signals in a column to the left of the carry function if possible to provide near-zero routing delay to the carry function. The output of the carry function can be registered directly in the same CLB to provide high performance through pipelining.

The SLICEL timing is often faster than the SLICEM timing due to the simpler structure, and therefore the SLICEL should be favored for the highest performance.

Use the following estimates for Spartan-3 generation carry-based adders, counters, and accumulators:

- 8 bits: 3.0 ns or 333 MHz
- 16 bits: 3.8 ns or 263 MHz
- 32 bits: 5.4 ns or 185 MHz
- 64 bits: 8.6 ns or 116 MHz

## Specifications

The carry and arithmetic logic is defined by multiple timing specifications to cover each of the possible signal paths, as described in [Table 9-7](#).

**Table 9-7: Other Specifications**

| Specification | Description                                              | Path                                                                                                                             |
|---------------|----------------------------------------------------------|----------------------------------------------------------------------------------------------------------------------------------|
| $T_{CIN YB}$  | Carry split or cascade to top slice                      | CIN input through CYINIT through CYMUXF through CYMUXG to YB output                                                              |
| $T_{CIN XB}$  | Carry split or cascade to bottom slice                   | CIN input through CYINIT through CYMUXF to XB output                                                                             |
| $T_{CIN X}$   | Carry input to bottom sum combinatorial output           | CIN input through CYINIT through XORF to X output                                                                                |
| $T_{CIN CK}$  | Carry input to top or bottom sum registered output setup | CIN input through CYINIT through XORF to FFX setup; or to top logic cell through CYINIT through CYMUXF through XORG to FFY setup |
| $T_{CK CIN}$  | Carry input hold time                                    | Hold time for $T_{CIN CK}$ , from CIN through XOR to flip-flops                                                                  |
| $T_{BXC Y}$   | Bottom bypass input to carry output for initialization   | BX input through CYINIT (or CY0F) through CYMUXF through CYMUXG to COUT output                                                   |
| $T_{BXY B}$   | Carry split                                              | BX input through CYINIT (or CY0F) through CYMUXF through CYMUXG to YB output                                                     |
| $T_{BXX B}$   | Carry split                                              | BX input through CYINIT (or CY0F) through CYMUXF to XB output                                                                    |
| $T_{BYC Y}$   | Top bypass input to carry output for initialization      | BY input through CY0G through CYMUXG to COUT output                                                                              |
| $T_{BY YB}$   | Carry split                                              | BY input through CY0G through CYMUXG to YB output                                                                                |
| $T_{BXY}$     | Bottom bypass input to top sum for initialization        | BX input through CYINIT through CYMUXF through XORG to Y output                                                                  |
| $T_{BXX}$     | Bottom bypass input to bottom sum for initialization     | BX input through CYINIT through XORF to X output                                                                                 |
| $T_{DICK}$    | Bottom bypass input to sum setup time                    | BX input through CYINIT through XORF to FFX setup (or through CYMUXF through XORG to FFY setup)                                  |
| $T_{OPFY B}$  | Bottom operand input to carry split out                  | F1-F2 inputs through CY0F through CYMUXF (or F1-F4 inputs through F-LUT through CYSELF to CYMUXF select) through CYMUXG to YB    |
| $T_{OPXB}$    | Bottom operand input to carry split out                  | F1-F4 inputs through F-LUT through CYSELF through CYMUXF select to XB output                                                     |
| $T_{OPY}$     | Bottom operand input to top sum                          | F1-F4 inputs through F-LUT through CYSELF through CYMUXF select through XORG to Y output                                         |
| $T_{OPX}$     | Bottom operand input to bottom sum                       | F1-F4 inputs through F-LUT through XORF to X output                                                                              |
| $T_{OPCYG}$   | Top operand input to carry out                           | G1-G2 inputs through CY0G through CYMUXG (or G1-G4 through G-LUT through CYSELG to CYMUXG select) to COUT output                 |

Table 9-7: Other Specifications

| Specification | Description                                   | Path                                                                                                           |
|---------------|-----------------------------------------------|----------------------------------------------------------------------------------------------------------------|
| $T_{OPGYB}$   | Top operand input to carry split out          | G1-G2 inputs through CY0G through CYMUXG (or G1-G4 through G-LUT through CYSELG to CYMUXG select) to YB output |
| $T_{OPGY}$    | Top operand input to sum                      | G1-G4 inputs through G-LUT through XORG to Y output                                                            |
| $T_{FANDCY}$  | Bottom factor input to carry out              | F1/F2 inputs through FAND through CY0F through CYMUXF through CYMUXG to COUT                                   |
| $T_{FANDYB}$  | Bottom factor input to carry split out        | F1/F2 inputs through FAND through CY0F through CYMUXF through CYMUXG to YB output                              |
| $T_{FANDXB}$  | Bottom factor input to bottom carry split out | F1/F2 inputs through FAND through CY0F through CYMUXF to XB                                                    |
| $T_{GANDCY}$  | Top factor input to carry out                 | G1/G2 inputs through GAND through CY0G through CYMUXG to COUT output                                           |
| $T_{GANDYB}$  | Top factor input to carry split out           | G1/G2 inputs through GAND through CY0G through CYMUXG to YB output                                             |

## Designing with the Carry and Arithmetic Logic

It is important to understand whether a design uses the carry logic and make sure it is being used effectively. Carry logic can be instantiated via primitives or macros, selected for components created by the CORE Generator system, or used automatically by high-level synthesis tools.

### Library Elements Using Carry

The most direct way to use the carry logic is to instantiate the library components that already have it built in. Library components are designed to use the carry and arithmetic logic when they will be efficient in most designs. The adders, adder/subtractors, and accumulators use the carry, along with the 8-bit and 16-bit counters that start with "CC". The widest logic gates of 16 inputs use the carry multiplexers. Any custom function beyond these can be built from the carry primitives.

Primitives

MUXCY

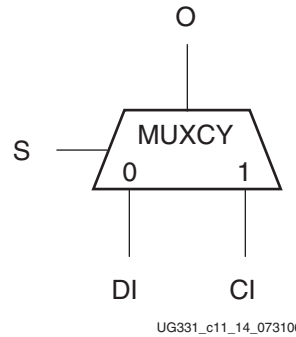


Figure 9-14: MUXCY Primitive

The MUXCY primitive is used to implement a 1-bit high-speed carry propagate function. DI is mapped to a CLB Direct Input while CI is the Carry Input. The select input S comes from the LUT; when Low, S selects DI; when High, S selects CI. The O output can cascade to the CI of the next MUXCY above or be fed to a CLB output.

The MUXCY primitive gets mapped to the CYMUXF or CYMUXG components at the bottom and top of the Slice, respectively. The S select input is normally driven by an XOR gate in a LUT, but the LUT can be fixed to zero to always select the DI input. A fixed 1 on the S input always selects the CI carry input, and can be implemented inside the mux itself, saving the LUT for other functions.

The MUXCY is also available as two additional primitives with "local" outputs. Local outputs reflect the dedicated connections between logic elements, in this case the direct connections from COUT to CIN. The local output on the primitive does not control the routing but allows the design tools to better estimate the timing before implementation. An O pin on a MUXCY connected to a CI pin on another MUXCY almost always uses zero-delay connections, reflected by the local output (LO). The general-purpose output reflects the longer block and routing delays for splitting the carry chain by feeding it to the bypass outputs XB or YB. MUXCY\_L will model the zero delay of the COUT path while MUXCY\_D has both local and general-purpose outputs. Both paths are always available and can be used at the same time. If the O pin connects to a CI of another MUXCY, use the LO output of the MUXCY\_L or MUXCY\_D. If O connects to anything else, use a generic MUXCY or a the O output of a MUXCY\_D.

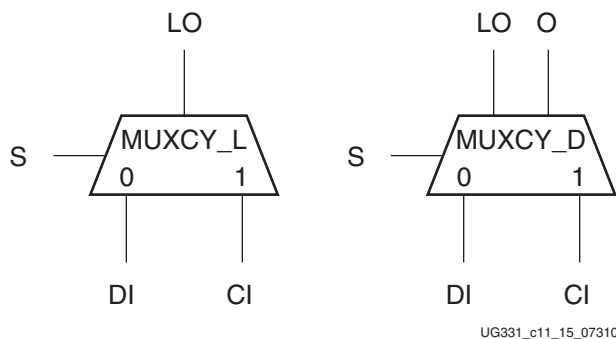


Figure 9-15: MUXCY\_D and MUXCY\_L Primitives

## VHDL Instantiation

```
-- Component Declaration for MUXCY should be placed
-- after architecture statement but before begin keyword
component MUXCY
port (O : out STD_ULOGIC;
CI : in STD_ULOGIC;
DI : in STD_ULOGIC;
S : in STD_ULOGIC);
end component;
-- Component Attribute specification for MUXCY
-- should be placed after architecture declaration but
-- before the begin keyword
-- Attributes should be placed here
-- Component Instantiation for MUXCY should be placed
-- in architecture after the begin keyword
MUXCY_INSTANCE_NAME : MUXCY
port map (O => user_O,
CI => user_CI,
DI => user_DI,
S => user_S);
```

## Verilog Instantiation

```
MUXCY MUXCY_instance_name (.O (user_O),
.CI (user_CI),
.DI (user_DI),
.S (user_S));
```

## XORCY

The XORCY primitive is a special dedicated XOR with general output used for generating faster and smaller arithmetic functions. The XORCY primitive gets mapped to the XORF or XORG component in the bottom or top of the slice, respectively. The Logic Input (LI) is driven by the LUT output, typically the same as the S input on the MUXCY. The Carry Input (CI) is driven by the output of a MUXCY or initialized by another signal. The O output drives the combinatorial or registered output of the slice.

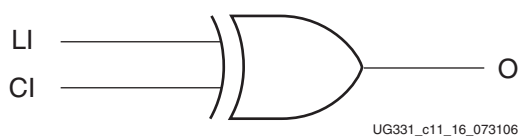


Figure 9-16: XORCY Primitive

XORCY is also available as two additional primitives with Local Outputs or LO pins. Although there is no special routing for the output of an XORCY as there is for the MUXCY, the fast delay modeled by the Local Output can be used when direct connections are to be used to the adjacent CLB or back to the same CLB, or when the XORCY directly feeds a flip-flop.

As mentioned earlier the XORCY is used to complete the sum initiated by an XOR in the LUT. The XOR in the LUT is represented by a general-purpose XOR2 component or similar function.

## VHDL Instantiation

```
-- Component Declaration for XORCY should be placed
-- after architecture statement but before begin keyword
```



```

component XORCY
port (O : out STD_ULONGIC;
CI : in STD_ULONGIC;
LI : in STD_ULONGIC;
end component;
-- Component Attribute specification for XORCY
-- should be placed after architecture declaration but
-- before the begin keyword
-- Attributes should be placed here
-- Component Instantiation for XORCY should be placed
-- in architecture after the begin keyword
XORCY_INSTANCE_NAME : XORCY
port map (O => user_O,
CI => user_CI,
LI => user_LI);

```

### Verilog Instantiation

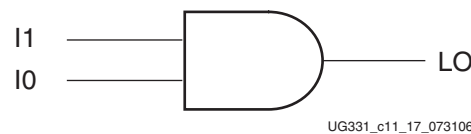
```

XORCY XORCY_instance_name (.O (user_O),
.CI (user_CI),
.LI (user_LI));

```

## MULT\_AND

The MULT\_AND primitive is an AND component used almost exclusively for building faster and smaller multipliers. The MULT\_AND primitive maps into the FAND or GAND gate in the Spartan-3 Slices. The inputs come from two specific LUT inputs, F1 and F2 or G1 and G2. The output can only connect to the DI input on a MUXCY, so the primitive is only available with an "LO" Local Output to reflect the lack of any routing delays in pre-implementation timing analysis.



UG331\_c11\_17\_073106

Figure 9-17: MULT\_AND Primitive

Even if a generic AND2 gate is used, if it feeds into the MUXCY data input, it will likely be placed in the MULT\_AND for efficiency. In the same way, a MULT\_AND feeding into a generic M2\_1 mux typically forces the mux into the MUXCY. The MULT\_AND is used to "duplicate" one of two AND gates in the LUT in a typical multiplier. Those AND gates are designated by general-purpose AND2 components.

### VHDL Instantiation

```

-- Component Declaration for MULT_AND should be placed
-- after architecture statement but before begin keyword
component MULT_AND
port (LO : out STD_ULONGIC;
I0 : in STD_ULONGIC;
I1 : in STD_ULONGIC);
end component;
-- Component Attribute specification for MULT_AND
-- should be placed after architecture declaration but
-- before the begin keyword
-- Attributes should be placed here
-- Component Instantiation for MULT_AND should be placed

```

```
-- in architecture after the begin keyword
MULT_AND_INSTANCE_NAME : MULT_AND
port map (LO => user_LO,
I0 => user_I0,
I1 => user_I1);
```

### Verilog Instantiation

```
MULT_AND MULT_AND_instance_name (.LO (user_LO),
.I0 (user_I0),
.I1 (user_I1));
```

## Emulating Virtex-II ORCY Components

The ORCY primitive found in the Virtex®-II architecture is not available in the Spartan-3 generation FPGAs. Although labeled similarly to the carry primitives, ORCY is not typically used for arithmetic functions. It is used to create a Sum-Of-Products solution in the Virtex-II family, creating an OR of the wide AND gates that can be created using the MUXCY resources. In Spartan-3 generation FPGAs, similar logic can be implemented in the LUTs with more placement flexibility. If an ORCY component is found in a Spartan-3 generation design, it is mapped to a LUT.

## Macros

Table 9-8 shows the library macros that use the carry logic. All adders, adder/subtractors, and accumulators use the carry logic. Only counters that begin with "CC" use the carry logic, along with Magnitude Comparators with "MC". Wide gates of 16 bits use the carry logic while 12-bit and smaller gates do not. None of the standard library macros use the MULT\_AND gate.

Table 9-8: Library Macros Using Carry Logic

| Macro Name | Macro Description                                 | Slices | Carry Resources Used |
|------------|---------------------------------------------------|--------|----------------------|
| Acct.      | 4-bit Accumulator                                 | 6      | MUXCY, XORCY         |
| Acct.      | 8-bit Accumulator                                 | 10     | MUXCY, XORCY         |
| Acct.      | 16-bit Accumulator                                | 18     | MUXCY, XORCY         |
| Add        | 4-bit Adder                                       | 3      | MUXCY, XORCY         |
| Add        | 4-bit Adder                                       | 5      | MUXCY, XORCY         |
| Add        | 4-bit Adder                                       | 9      | MUXCY, XORCY         |
| Addis      | 4-bit Adder/Subtractor                            | 3      | MUXCY, XORCY         |
| ADSU8      | 4-bit Adder/Subtractor                            | 5      | MUXCY, XORCY         |
| ADSU16     | 4-bit Adder/Subtractor                            | 9      | MUXCY, XORCY         |
| AND16      | 16-bit AND gate                                   | 2      | MUXCY                |
| CC8CE      | 8-bit binary counter with clear and clock enable  | 5      | MUXCY, XORCY         |
| CC16CE     | 16-bit binary counter with clear and clock enable | 9      | MUXCY, XORCY         |

Table 9-8: Library Macros Using Carry Logic

| Macro Name | Macro Description                                                      | Slices | Carry Resources Used |
|------------|------------------------------------------------------------------------|--------|----------------------|
| CC8/16CLE  | 8/16-bit binary counter with clear, load, and clock enable             | 9/17   | MUXCY, XORCY         |
| CC8/16CLED | 8-bit binary counter with clear, load, bidirectional, and clock enable | 17/33  | MUXCY, XORCY         |
| CC8/16RE   | 8/16-bit binary counter with reset and clock enable                    | 9/17   | MUXCY, XORCY         |
| COMPMC8    | 8-bit Magnitude Comparator                                             | 8      | MUXCY                |
| COMPMC16   | 16-bit Magnitude Comparator                                            | 16     | MUXCY                |
| NAND16     | 16-bit NAND gate                                                       | 2      | MUXCY                |
| NOR16      | 16-bit NAND gate                                                       | 2      | MUXCY                |
| OR16       | 16-bit NAND gate                                                       | 2      | MUXCY                |

## Using the CORE Generator System

The Xilinx CORE Generator system can be used to generate more complex or customized functions. The CORE Generator software should be used for multipliers, since it can use the MUXCY and MULT\_AND components or trade off resources with the dedicated multipliers.

### Adder

The adder and adder/subtractor components in the CORE Generator software automatically use the carry logic in a similar fashion to the library macros. The CORE Generator version allows for more flexibility in terms of data widths and registered outputs, among other functions.

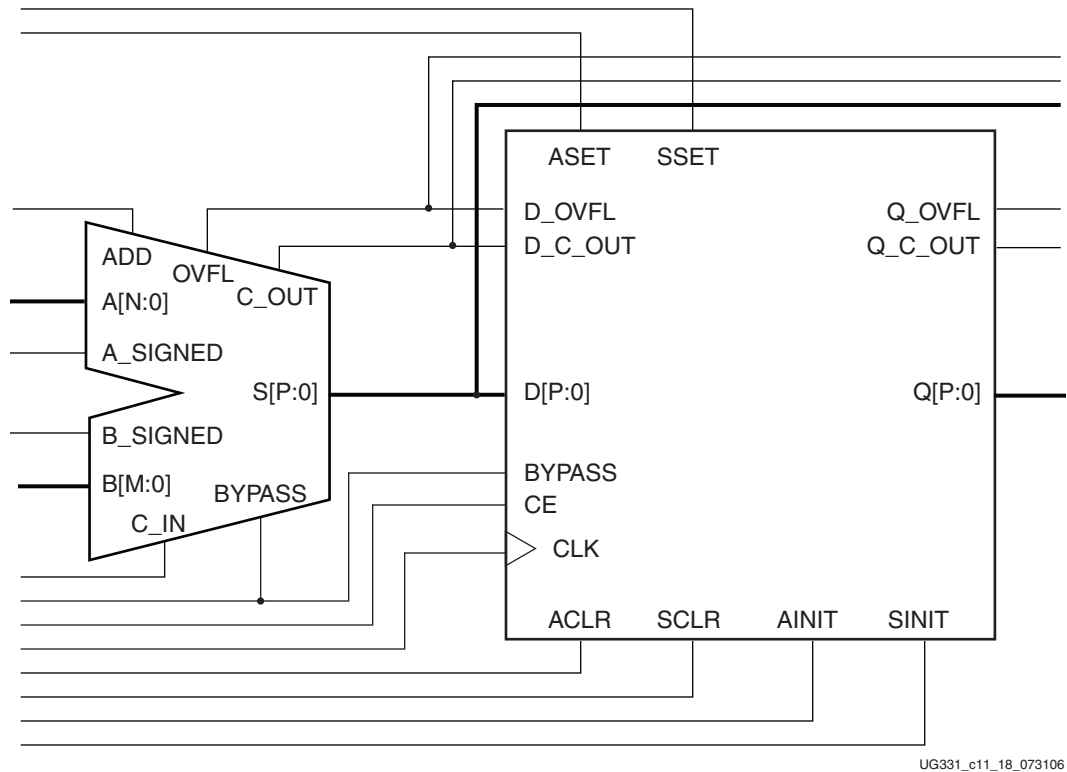


Figure 9-18: CORE Generator Adder/Subtractor

## Accumulator

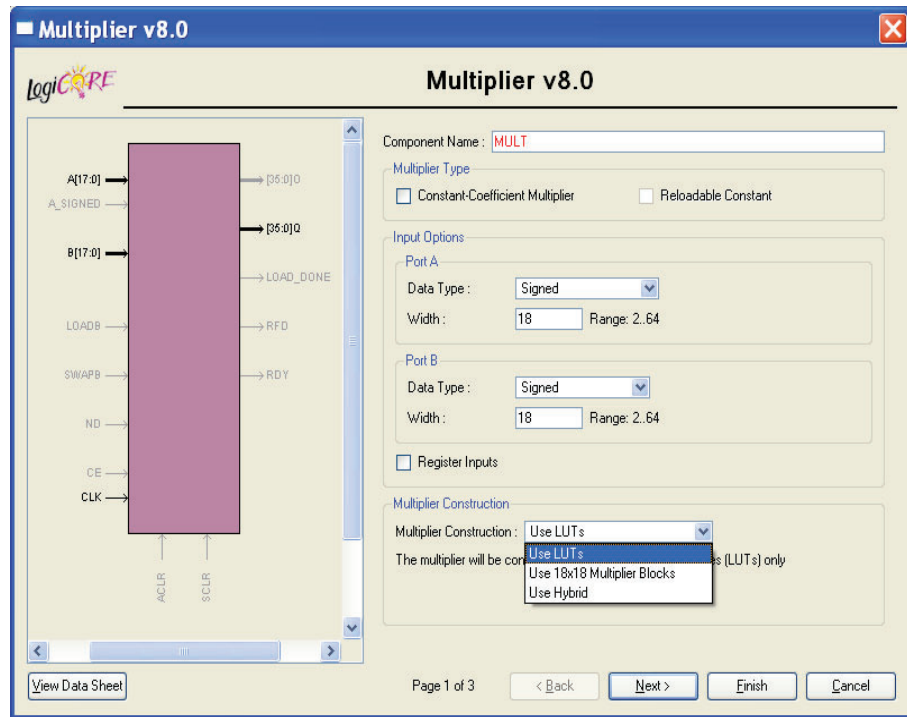
The CORE Generator system's Accumulator is similar to the Adder/Subtractor but with the registered output Q feeding back in the A input of the adder. Functions built using the Accumulator use the Spartan-3 generation carry logic.

## Comparator

The CORE Generator system's Comparator function also takes advantage of the carry logic in implementation.

## Multiplier

The CORE Generator system also includes a multiplier that can be targeted to either the carry logic or the dedicated 18 x 18 multipliers. The graphical interface for the Multiplier core includes the Multiplier Construction option. If *Use LUTs* is selected, the multiplier is built using the carry and MULT\_AND logic. If *Use 18 x 18 Multiplier Blocks* is selected, the multiplier is built using the dedicated 18 x 18 multipliers.



UG331\_c11\_19\_073106

Figure 9-19: Multiplier Interface in CORE Generator System

## Logic Gates

The 16-input gates in the library are implemented using carry logic. However, the logic gates in the CORE Generator system basic elements get implemented in LUTs, not the carry logic. When *Use RPMs* is selected, the function is placed in a column similar to the carry-based functions. The arithmetic functions always use the carry logic even if *Use RPMs* is not selected.

## Carry and Synthesis Constraints

Most synthesis tools recognize arithmetic operators as opportunities to use the carry logic. Synplicity Synplify and Mentor Precision tools automatically infer usage of the MUXCY for adders and related arithmetic functions and the MULT\_AND for multipliers that do not use the dedicated 18 x 18 resources. Check with your synthesis tool vendor for specific information on when it will use these resources.

The Xilinx Synthesis Tool (XST) also automatically infers the use of the carry and arithmetic logic. A synthesis constraint `USE_CARRY_CHAIN` can be applied locally or globally to force the tool to use the carry logic. After trying automatic synthesis, use this option in designs containing arithmetic logic to see if it provides a more efficient implementation. The parameter has two settings: *Yes* or *No*.

## MUX\_STYLE Constraint

The `MUX_STYLE` constraint guides the Xilinx XST synthesis tool to the type of multiplexer implementation desired. This constraint controls the way the macrogenerator implements the multiplexer functions. Allowed values are:

- **Auto:** let synthesis tools decide which implementation is best (default)
- **MUXF:** use dedicated MUXF5, MUXF6, MUXF7, or MUXF8 multiplexers
- **MUXCY:** use dedicated MUXCY carry multiplexers.

The MUXF is used specifically to combine the results of LUTs or other MUXF functions, under control of a dedicated input, for the purpose of expanding a general-use function to more inputs. The MUXCY is restricted to combining a single LUT input with a dedicated carry input, under control of a LUT, and drives the carry output, for the purpose of propagating an arithmetic carry. MUXF and MUXCY have very different functions, and typically it will be clear whether to use one or the other. See [Chapter 8, “Using Dedicated Multiplexers,”](#) for more information on MUXF.

## MULT\_STYLE Constraint

The MULT\_STYLE constraint guides the XST synthesis tool to the type of multiplier implementation desired. This constraint controls the way the macrogenerator implements the multiplier macros. Allowed values are:

- **Auto:** let synthesis tools decide which implementation is best (default in Project Navigator)
- **Block:** use dedicated MULT18X18 multipliers
- **LUT** (default at command line): implement using carry and MULT\_AND logic
- **Pipe\_block:** use dedicated MULT18X18S pipeline multipliers (to be supported in a future release)
- **KCM:** Constant Coefficient Multiplier (command line only)
- **Pipe\_LUT:** pipeline multiplier using carry and MULT\_AND logic with registered inputs and outputs

Try selecting specific types of multiplier implementations to determine if the performance or density improves for your own designs.

## Carry and Relative Location Constraints

Carry logic is most efficient when it is implemented in a single column of slices, since the carry chain has direct connections running up each column. This placement can be found automatically by the place & route tools, or defined by the user via one of several alternative methods.

Xilinx library macros and CORE Generator System macros using the carry logic include mapping, placement and routing information using two types of constraints, FMAPs and RLOCs. The FMAP symbol is used to map logic to the function generator of a slice. FMAP constraints define the inputs and outputs of each LUT. Note that for carry-based functions, only the I1 or I2 inputs on the LUT can connect to the MUXCY or the MULT\_AND, so the FMAP symbol needs to have the arithmetic inputs on one of those two pins. Dummy signals can be placed on the other two inputs if unused to prevent the arithmetic inputs from being moved there. The FMAP symbol is primarily being used for relative placement, however, which requires the addition of an RLOC property.

Relative Location (RLOC) constraints define the placement of the carry logic components and LUTs relative to each other. These macros are known as Relationally Placed Macros or RPMs. RPMs provide order and structure to related design elements without requiring specification of their absolute placement on the FPGA die. This gives the implementation tools more flexibility to meet timing whereas floorplanning requires absolute placement of the logic. The advantage of relative placement is that it allows the function to move as a

complete whole anywhere in the device. For example, an adder can be defined as requiring adjacent slices in one column, but that stack of slices can be placed by the tools wherever it is most efficient inside the device.

RLOC constraints can be applied to any of the carry primitives - MUXCY, XORCY, and MULT\_AND, along with flip-flops. An RLOC constraint cannot be applied directly to a gate primitive but it can be applied to a LUT defined via the FMAP component. In Spartan-3 generation designs, the RLOC constraint is specified using the slice-based XY coordinate system (RLOC = X0Y0, etc.). Slices are numbered on an XY grid beginning in the lower left corner of the chip. X ascends in value horizontally from left to right. Y ascends in value vertically from bottom to top. A CLB actually encompasses two rows and two columns of the coordinate system; slices S2 (X1Y0) and S3 (X1Y1) are considered horizontally adjacent to slices S0 (X0Y0) and S1 (X0Y1) in the CLB. Each part of the hierarchy can have its own independent set of relative constraints, and the user can even define multiple sets per hierarchical block.

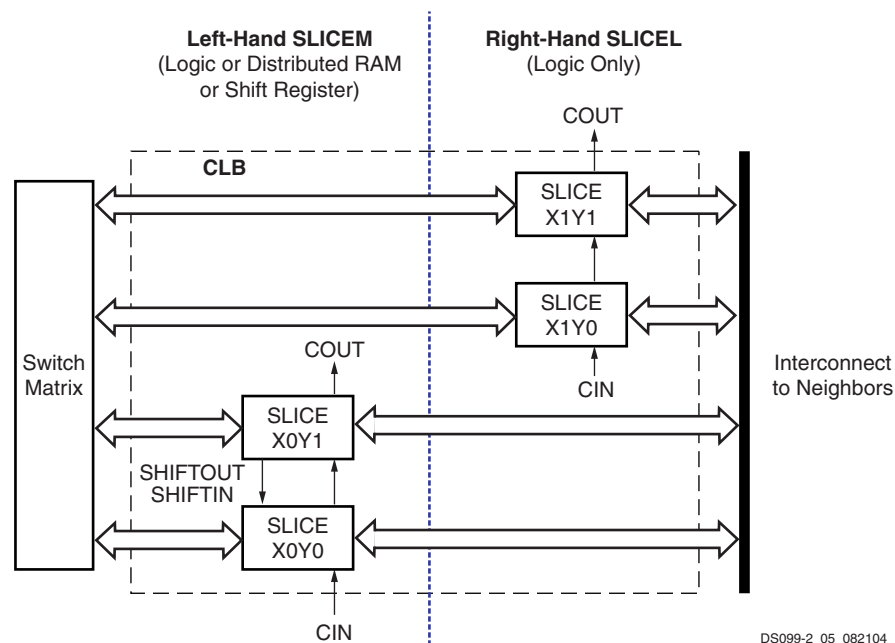


Figure 9-20: Arrangement of Slices within the CLB

## Carry and Floorplanning

RLOCs can be specified directly in HDL code or a schematic, defined in the Floorplanner, or written into a constraints file. The carry-based functions can also be placed using PACE (Pinout and Area Constraints Editor). The RPMs are always placed as a complete group in both PACE and the Floorplanner.

Because carry-based functions are in a column with the MSB at the top, related functions should be placed in a similar fashion. The data inputs should come from a column of CLBs, or IOBs on the left or right edges, also with MSB at the top.

RLOC constraints allow the user to place logic blocks relative to each other to increase speed and use die resources efficiently. When defining relative location constraints, it is important to remember how "tall" the target device is and stay within one column. However, if an area constraint is too tall, the carry path is automatically split to fit across multiple columns. With two LUTs per slice, the bottom two FMAPs should be assigned

$RLOC=X0Y0$ , the next two  $RLOC=X0Y1$ , and so on. See the example for the ADD4 library component in Figure 9-21.

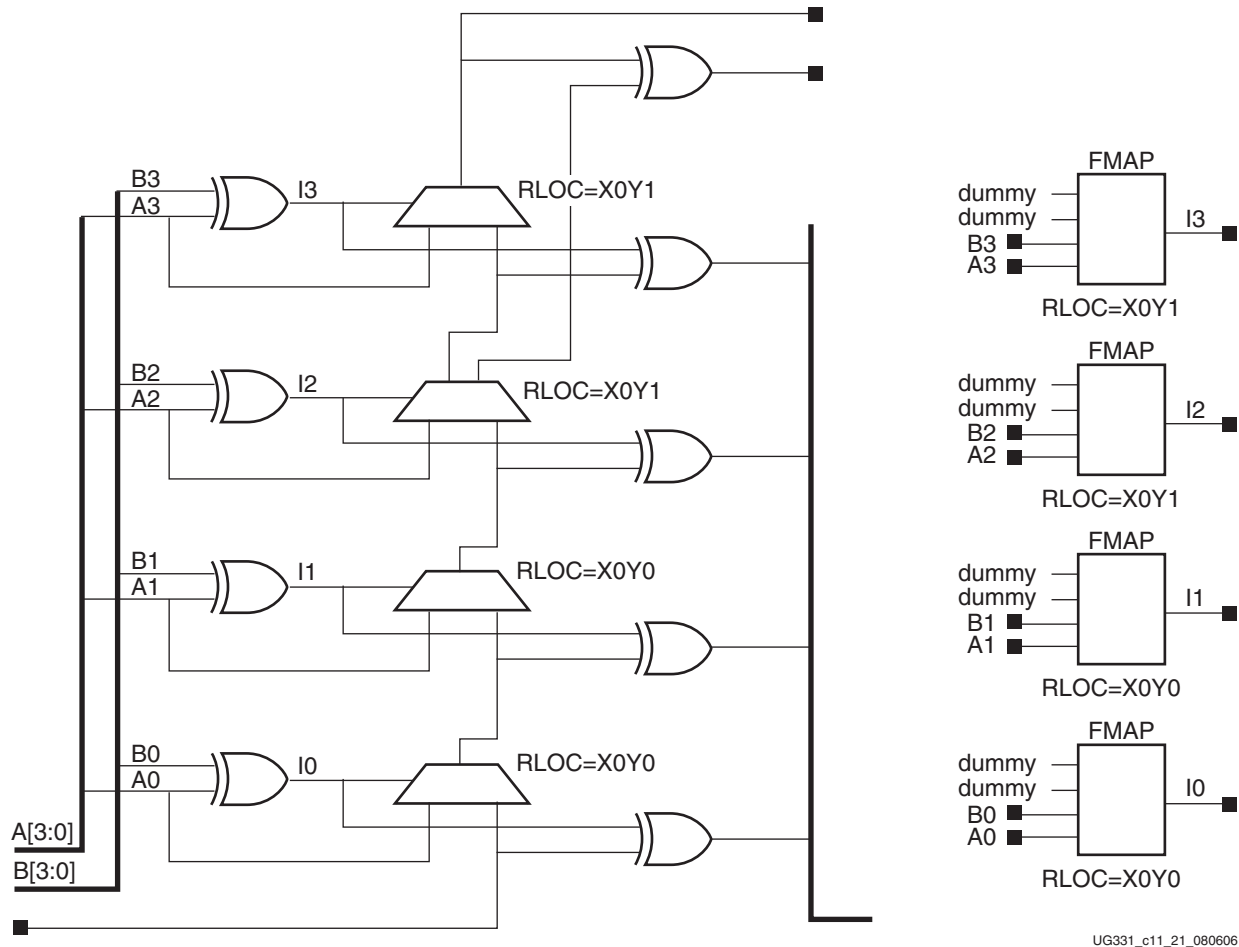


Figure 9-21: ADD4 Schematic Implementation

For more information on relative location constraints, see the Libraries and Constraints guides. If relative locations are to be applied to both slices and other resources such as block RAM, consider using the RPM GRID system described in [XAPP416](#).

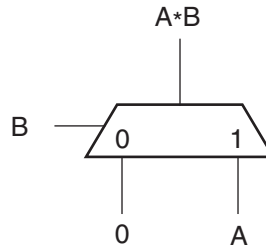
## Applications

Although the carry logic is most directly applicable to arithmetic functions, it can also be used for other types of logic.

### Wide Gates

The MUXCY is useful for general-purpose logic because it is controlled by the LUT and can have a fixed 0 or 1 input without using resources. An AND gate can be implemented in a mux by selecting the input "A" when B is High, as shown in Figure 9-22. The 0 data on the 0 side of the mux is available as a fixed input within the slice and does not require any resources.

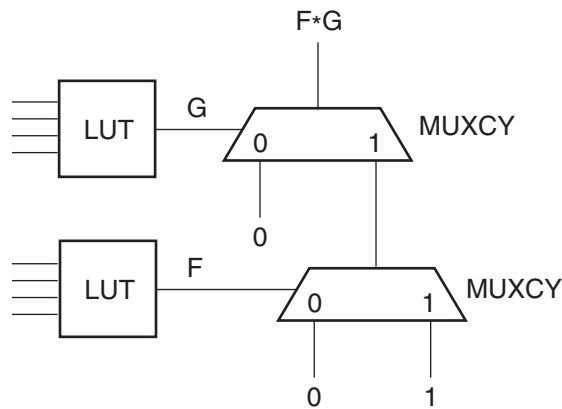




UG331\_c11\_22\_080106

Figure 9-22: Using a MUXCY Multiplexer as an AND Gate

With two LUTs and two MUXCYs per slice, two four-input functions can be combined into one result in each slice, as shown in Figure 9-23.



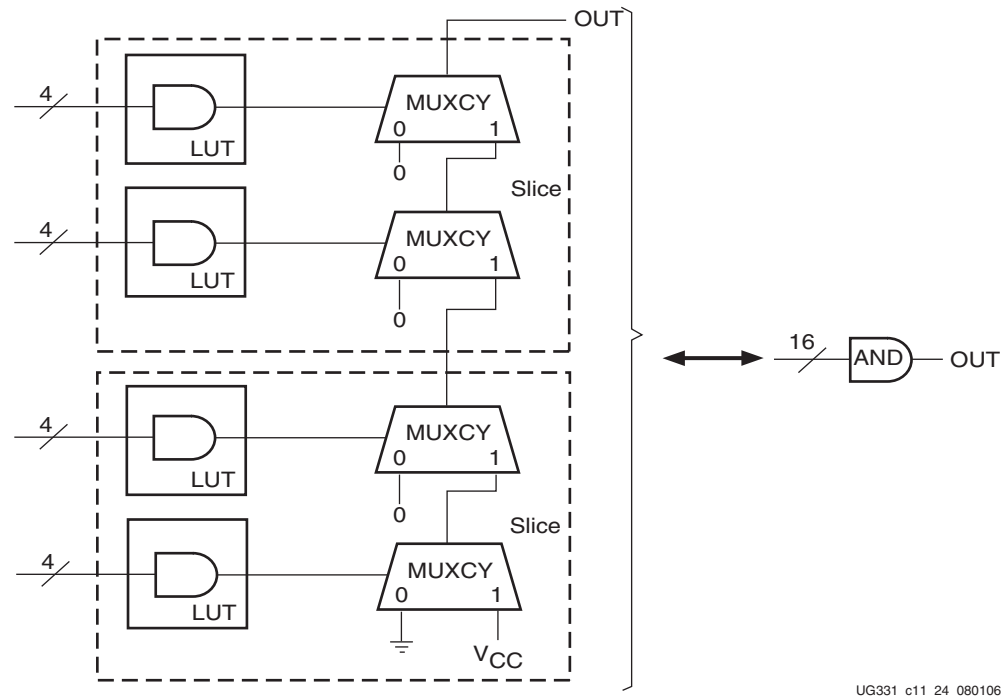
UG331\_c11\_23\_080106

Figure 9-23: Using MUXCY in Slice to AND Two 4-Input Functions

The initial 1 on the 1 input of the MUXCY can be sourced by one of the global 1 signals available within the FPGA structure. Alternatively, it can be connected to a ninth input to create a 9-input AND gate. With appropriate inversions, the AND function can be turned into a NAND, OR, or NOR gate, with the same efficiency. A 1 is also available on the MUXCY data input, while an initial zero can be generated in any unused LUT.

This implementation of wide logic functions provides higher performance and more efficient utilization of the FPGA resources. The carry chain eliminates multiple levels of logic and provides a fast path to the final result. The only limit on the width of the gate is the number of LUTs in a column, allowing over 400 inputs in one function. Common applications include wide input decoding, comparators, and counters.

The 16-input gates in the Xilinx library use the MUXCY logic (see Figure 9-24). 12-input gates and smaller use multiple levels of LUTs.



UG331\_c11\_24\_080106

Figure 9-24: Library AND16 Implementation Using Carry Logic

Remember that another alternative for wide logic functions is to use the F5MUX and FiMUX (F6MUX, F7MUX, F8MUX). These multiplexers are more efficient for registered functions since they feed directly into the flip-flop in the same CLB, and can create any function of up to 8 inputs in one level of logic, and some functions of up to 79 inputs. See [Chapter 8, “Using Dedicated Multiplexers”](#) for more details.

## Sum of Products

Generic logic descriptions will always be optimized into the four-input LUTs of the Spartan-3 architecture, minimizing the number of resources required. The Xilinx software is very efficient at optimizing logic to fit into the LUT structure, where the only limit is the number of inputs, not the type of function.

Some logic architectures, including CPLDs, incorporate a sum-of-products structure, using wide AND gates followed by OR gates. The wide AND gates can be implemented in the Spartan-3 FPGA using the carry logic. The OR gates would be implemented in LUTs, with up to four wide AND gates able to be combined in one fast LUT. Since carry-based AND gates will be vertical with the result at the top, the OR LUT should be placed in a CLB above the column-based AND gates.

Note that the ORCY function, used in the Virtex-II and Virtex-II Pro families to OR together carry-based AND gates, is not available in the Spartan-3 family. Using the LUT instead provides for a smaller CLB (and therefore lower cost), and offers more placement flexibility.

## Comparators

The AND function in the MUXCY can be extended to implement an equality comparator of two four-bit values per slice.

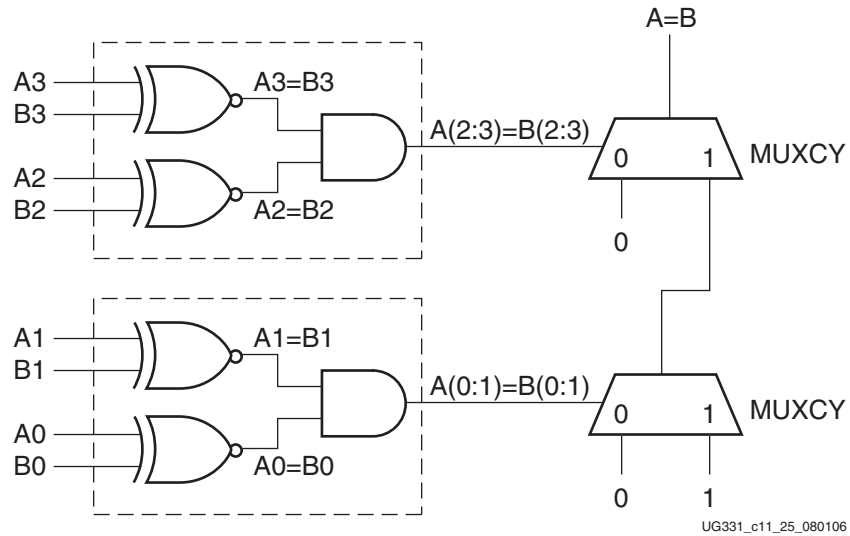


Figure 9-25: Equality Comparator in One Slice

A magnitude comparator can also be implemented using the carry logic, at two bits per slice.

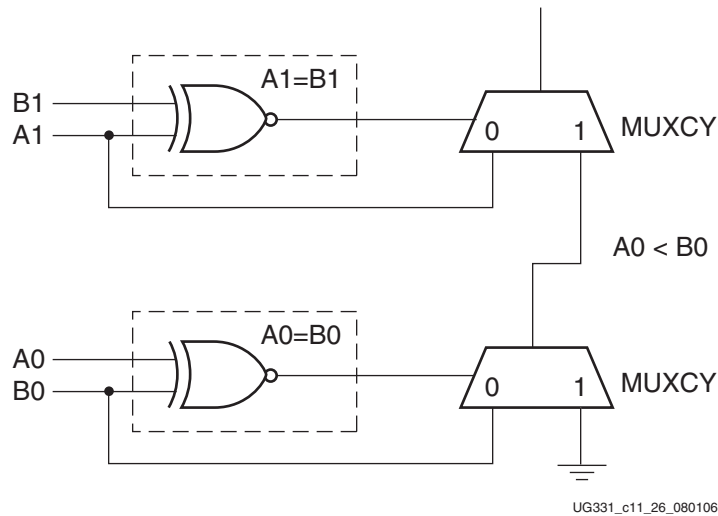


Figure 9-26: Magnitude Comparator in One Slice

As with the logic gates, inverters can be used to generate inequality or other comparisons.

## Adders

The adder is the fundamental function of the carry logic, as described earlier. Two bits per Logic Cell can be added.

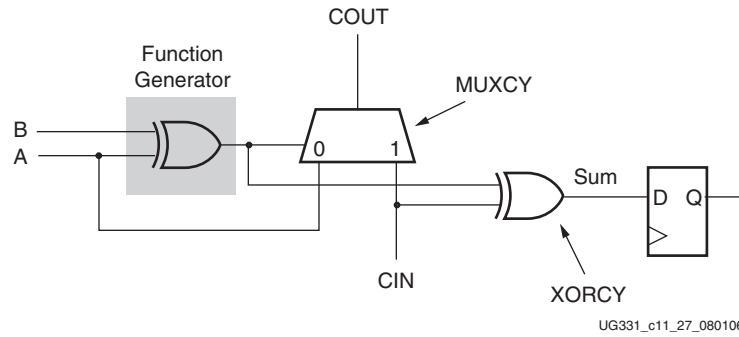


Figure 9-27: **Basic Adder Cell**

## Counters

A binary counter can be implemented by toggling each flip-flop when all the lower-order flip-flops are High. Figure 9-28 shows a typical binary up counter using toggle flip-flops. Each bit toggles if all the lower-order bits are high. The AND gates are required for each bit and get wider as the counter gets larger.

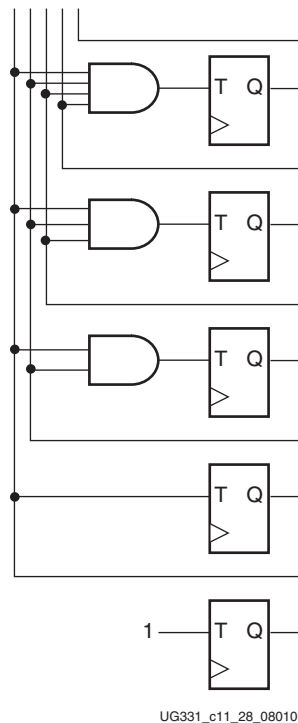


Figure 9-28: **Binary Counter**

These wide AND gates are also a candidate for the carry logic, especially since it avoids having to duplicate the gate at different widths. Figure 9-29 shows the same binary counter using the MUXCY in place of the AND gates. Each MUXCY expands the width of the AND gate by the additional bit needed for each stage of the counter, and there is no redundant logic. The performance limit is only the propagation of the carry chain instead of wide AND gates.

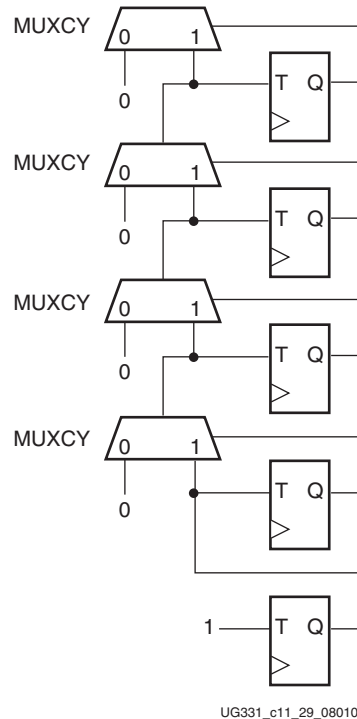


Figure 9-29: Binary Counter Using MUXCY for AND Gates

Figure 9-30 shows the implementation of the carry-based binary counter using the D flip-flops available in the slices. The inverter and XOR gates are implemented in the LUT preceding each flip-flop.

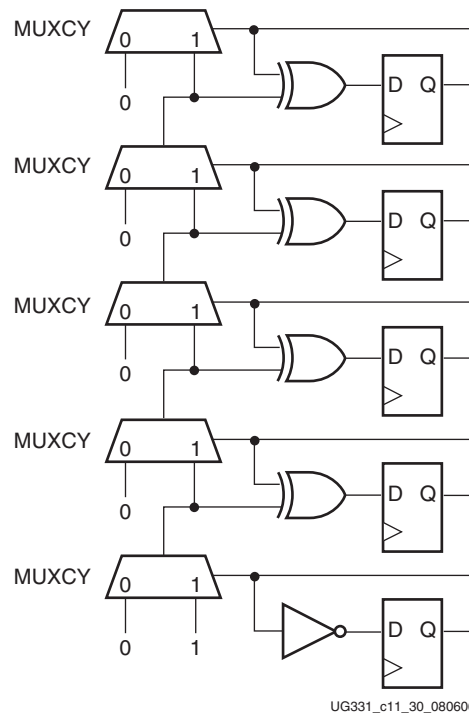


Figure 9-30: Binary Counter Using D Flip-Flops

## Multipliers

Multiplication is typically done by generating partial products and then adding the results. The carry logic optimizes both aspects of the design.

One-bit multiplication is logically very simple, requiring only sets of AND gates. These gates either allow the input value to be passed or force the partial product completely to zero.

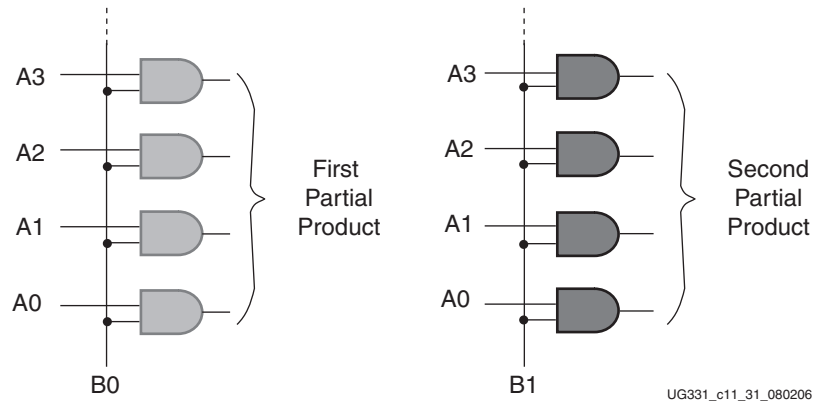


Figure 9-31: Partial Product Generation

Then, all the partial products need to be added together with the appropriate bit weighting. If there is sufficient time (enough clock cycles), the classical serial "shift and add" technique can be adopted based on an accumulator; however, for a maximum performance parallel multiplier, an *addition tree* is needed. This tree is effectively implemented using carry-based adders, with pipelining registers available if desired for better performance.

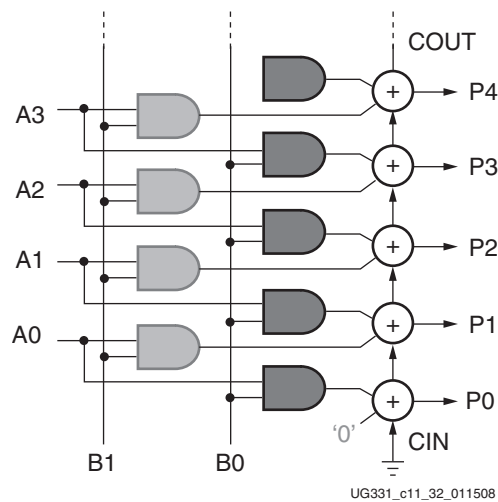


Figure 9-32: Partial Product Multiplication

These AND gates can be implemented in the MULT\_AND and the LUTs available in the CLBs.

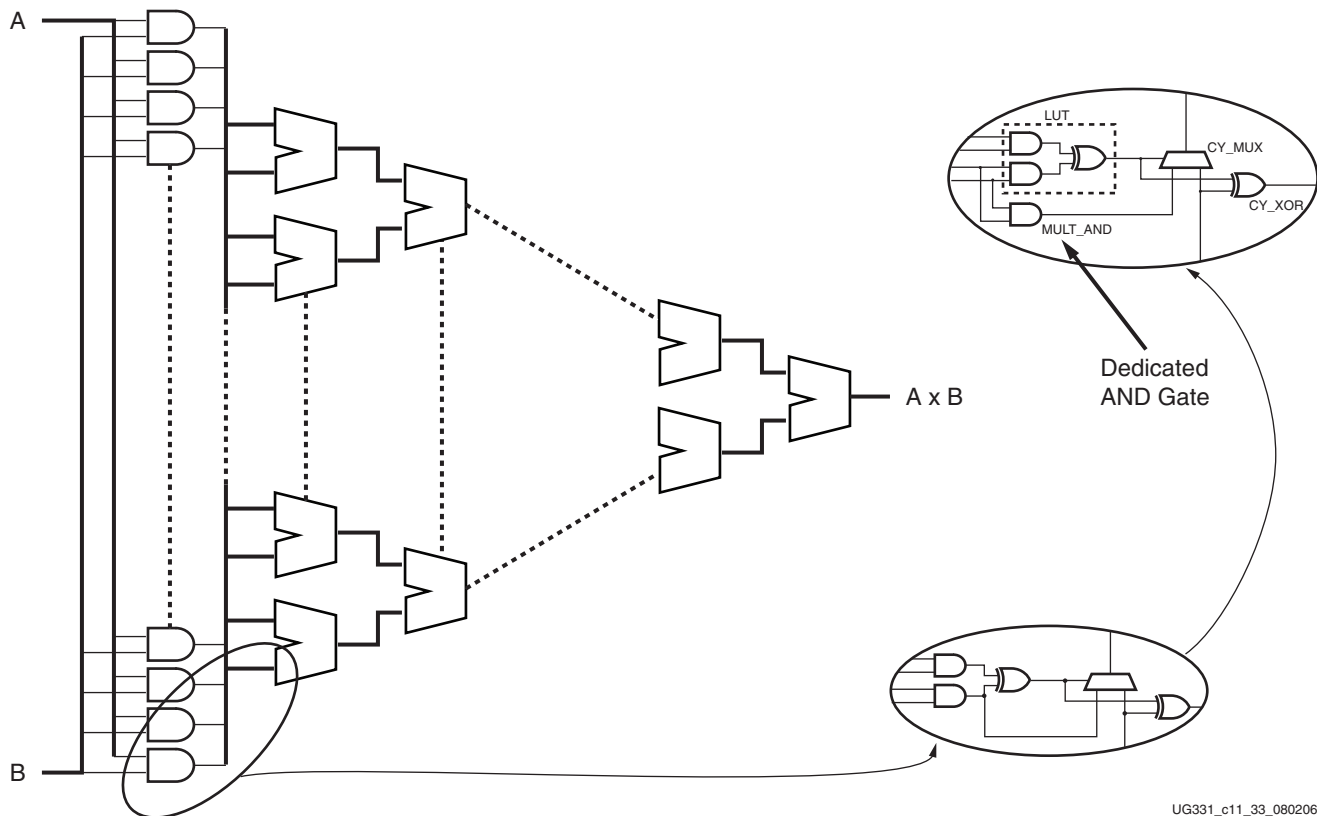


Figure 9-33: Multiplier Implementation

### Optimizing Carry-Based Multipliers

Figure 9-9, page 282 shows that two bits can be multiplied at a time using the carry and arithmetic logic. Therefore one of the inputs must be divided into 2-bit pieces and then the partial products combined in an adder tree. Fewer levels of logic will be required in the adder tree if the smaller value is the one divided into 2-bit sections. Also consider dividing the input whose number of bits is a power of 2, since that will provide more symmetry.

For example, a multiplier of an 8-bit value by a 12-bit value has the two possible implementations shown in Figure 9-34 and Figure 9-35.

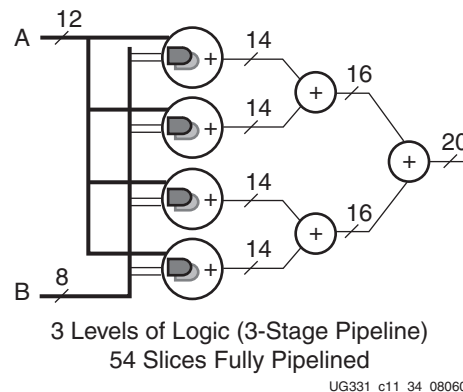
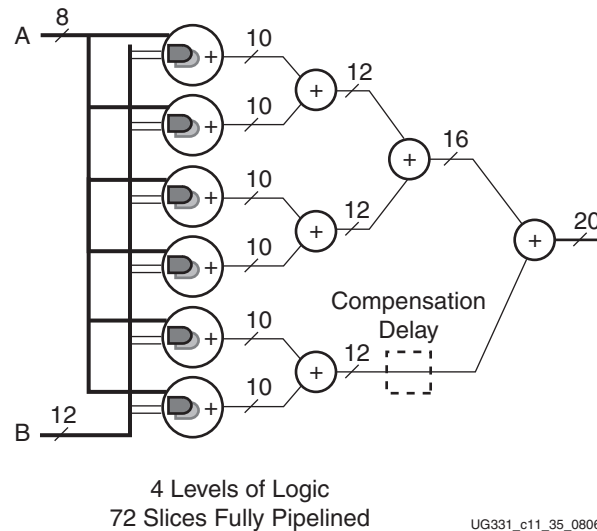


Figure 9-34: 12 x 8 Multiplier Dividing 8-Bit Input into 2-Bit Sections



**Figure 9-35: 8 x 12 Multiplier Dividing 12-Bit Input into 2-Bit Sections**

The fact that 8 is a power of 2 means that the "12 x 8" breaks down nicely into 4 multiplier adders in the first stage; hence, it leads to a symmetrical addition tree of 3 levels. In contrast, the "8 x 12" is less elegant: the 6 multiplier adders of the first stage do not sum easily, leading to more adders and 4 levels of logic. For a fully pipelined multiplier, there is even the requirement for delay compensation.

The multiplier adders and pure adders of the "8 x 12" are generally a smaller number of bits than in the "12 x 8"; but with the efficient carry-based adders in the Spartan-3 architecture, this has a very minimal impact on performance. In any case, both multipliers have the same largest-size adder at the final stage. Combinatorial multiplier performance will be set by the number of logic levels, and in this case, the "12 x 8" will definitely win.

It is difficult to know for certain how each design entry tool handles the implementation of complex functions, so experiment with alternative implementations. Even simply switching the order of the inputs could have a significant affect on the performance and resource requirements.

## MULT\_AND vs. MULT18X18

The combination of the MULT\_AND with the carry logic provides an efficient implementation of small multipliers. The multipliers can be placed in any column of the device. Larger multipliers should use the dedicated MULT18X18 resource, which provides high-speed multiplication of two 18-bit signed or two 17-bit unsigned values, without using any CLB resources. The different Spartan-3 densities have from 4 to 104 of the dedicated multipliers, and the Spartan-3A DSP platform has 84 to 126 DSP48A blocks. The dedicated resources should be used even for small functions if CLB resources are at a premium. The dedicated resources are faster for larger functions, especially if the inputs and outputs are pipelined with CLB flip-flops, allowing over 150 MHz multiplication. See [Chapter 11, "Using Embedded Multipliers,"](#) for more information.

## MULT\_AND vs. CLB Logic

For smaller and simpler multipliers even the MULT\_AND logic might be unnecessary. Multiplying by  $2^n$  simply requires shifting the value  $n$  places and adding is eliminated, so the SRL16 or other resources can be used. Small multipliers can be implemented in LUTs,



possibly using Muxes to expand to more inputs, and removes the column-based requirement of the MULT\_AND based multipliers.

### Other Types of Multipliers

There are many alternative variations on multipliers that might be more efficient in the LUT-based multiplier logic. For example, using Canonic Signed Digits instead of a binary representation provides the fewest number of non-zero bits by using subtraction to compress the representation and therefore can provide more efficiency. For example, multiplying by 119 would normally be broken down into  $(2^6 + 2^5 + 2^4 + 2^2 + 2^1 + 2^0) * x$ . A Canonic Signed Digits version would be implemented as  $(2^7 - 2^3 - 2^0)*x$

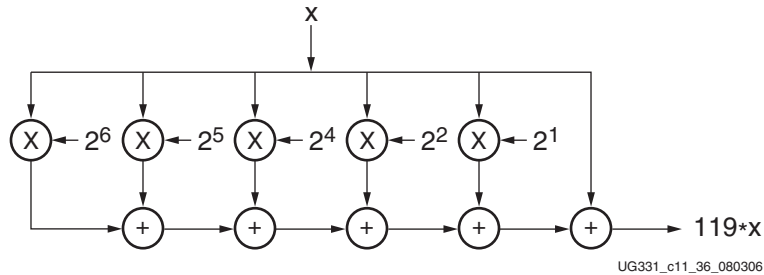


Figure 9-36: Binary Multiplication by 119 Uses 5 Shifters and 5 Adders

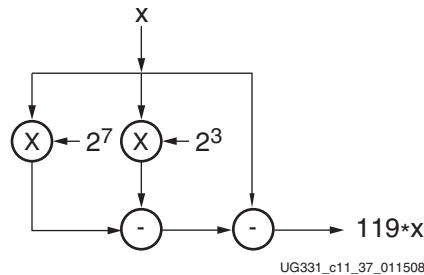


Figure 9-37: CSD Multiplication by 119 Uses 2 Shifters and 2 Adder/Subtractors

## Conclusion

Dedicated carry logic provides fast arithmetic addition and subtraction. The Spartan-3 generation CLB has two separate carry chains with two bits per slice. The dedicated carry path and carry multiplexer can also be used to cascade function generators for implementing wide logic functions. The arithmetic logic includes an XOR gate that allows a two-bit full adder to be implemented within a slice. In addition, a dedicated AND improves the efficiency of multiplier implementations. These resources are used automatically by synthesis tools or can be explicitly called out by the user.

## Related Materials and References

Information on the carry primitives and carry-based macros can be found in the Libraries Guide at:

[http://www.xilinx.com/support/software\\_manu...](http://www.xilinx.com/support/software_manu...)

CORE Generator System component information can be found at:

[www.xilinx.com/products/design\\_tools/logic\\_design/design\\_entry/coregenerator.htm](http://www.xilinx.com/products/design_tools/logic_design/design_entry/coregenerator.htm)



## Using I/O Resources

---

All signals entering and exiting a Spartan®-3 generation FPGA must pass through the I/O resources, known as I/O blocks or IOBs. Because FPGAs are used in more advanced applications, they must support an increasing variety of I/O features. The revolutionary SelectIO input/output capabilities of Spartan-3 generation FPGAs have met this need by providing a highly configurable, high-performance resource suitable for applications such as high-speed memory and programmable backplane interfaces.

The Spartan-3 generation FPGAs simplify high-performance design by offering selectable I/O standards for inputs and outputs. Over 20 different standards are supported in each family, with different specifications for current, voltage, I/O buffering, and termination techniques. As a result, the Spartan-3 generation FPGA can be used to integrate discrete translators and directly drive the most advanced backplanes, buses, and memories. Directly providing the necessary interface standard not only eliminates the cost of external translators, but also significantly improves the chip-to-chip speed and reduces power consumption.

This chapter describes how to take full advantage of the flexibility of the I/O capabilities and the design considerations to improve and simplify system level design. The following I/O topics are covered:

- [“IOB Overview”](#)
- [“I/O Differences between Spartan-3 Generation Families”](#)
- [“Design Entry”](#)
- [“Architectural Details”](#)
- [“SelectIO Signal Standards”](#)
- [“Supply Voltages for the IOBs”](#)

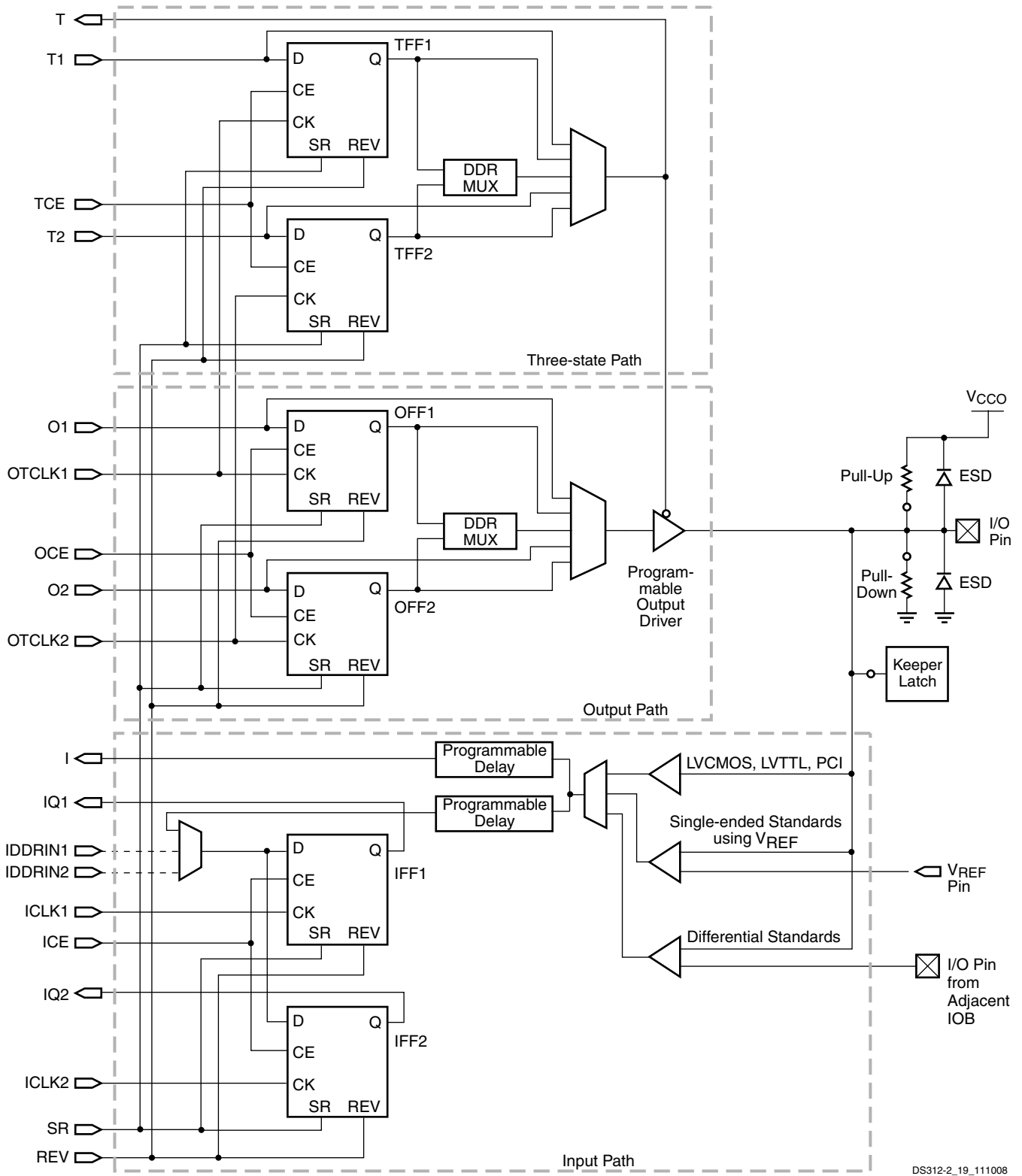
### IOB Overview

The Input/Output Block (IOB) provides a programmable, unidirectional or bidirectional interface between a package pin and the FPGA’s internal logic, supporting a wide variety of standard interfaces. The robust feature set includes programmable control of output strength and slew rate, registered or combinatorial inputs and outputs with dedicated double data rate (DDR) registers, programmable input delays, on-chip termination, and hot-swap capability.

[Figure 10-1, page 313](#) is a simplified diagram of the IOB’s internal structure. There are three main signal paths within the IOB: the output path, input path, and 3-state path. Each path has its own pair of storage elements that can act as either registers or latches. For more information, see [“Storage Element Functions,” page 324](#). The three main signal paths are as follows:

- The input path carries data from the pad, which is bonded to a package pin, through an optional programmable delay element directly to the I line. After the delay element, there are alternate routes through a pair of storage elements to the IQ1 and IQ2 lines. The IOB outputs I, IQ1, and IQ2 lead to the FPGA's internal logic. The delay element can be set to ensure a hold time of zero (see ["Input Delay Functions"](#)).
- The output path, starting with the O1 and O2 lines, carries data from the FPGA's internal logic through a multiplexer and then a three-state driver to the IOB pad. In addition to this direct path, the multiplexer provides the option to insert a pair of storage elements.
- The 3-state path determines when the output driver is high impedance. The T1 and T2 lines carry data from the FPGA's internal logic through a multiplexer to the output driver. In addition to this direct path, the multiplexer provides the option to insert a pair of storage elements.

All signal paths entering the IOB, including those associated with the storage elements, have an inverter option. Any inverter placed on these paths is automatically absorbed into the IOB.



DS312-2\_19\_111008

Figure 10-1: Simplified IOB Diagram

## I/O Differences between Spartan-3 Generation Families

The Spartan-3 generation families have the same basic I/O capabilities, but there are many differences in the details between each family.

### Number of Resources per Device

The details showing the number of I/O resources in each part/package combination are found in [Chapter 1, "Overview."](#) [Table 10-1](#) summarizes the maximum number of I/Os for each device.

**Table 10-1: Maximum Number of I/Os per Spartan-3 Generation Device**

| Spartan-3A DSP<br>FPGA | I/O | Spartan-3AN<br>FPGA | I/O | Spartan-3A<br>FPGA | I/O | Spartan-3E<br>FPGA | I/O | Spartan-3<br>FPGA | I/O |
|------------------------|-----|---------------------|-----|--------------------|-----|--------------------|-----|-------------------|-----|
| XC3SD1800A             | 519 | XC3S50AN            | 108 | XC3S50A            | 144 | XC3S100E           | 108 | XC3S50            | 124 |
| XC3SD3400A             | 469 | XC3S200AN           | 195 | XC3S200A           | 248 | XC3S250E           | 172 | XC3S200           | 173 |
|                        |     | XC3S400AN           | 311 | XC3S400A           | 311 | XC3S500E           | 232 | XC3S400           | 264 |
|                        |     | XC3S700AN           | 372 | XC3S700A           | 372 | XC3S1200E          | 304 | XC3S1000          | 391 |
|                        |     | XC3S1400AN          | 502 | XC3S1400A          | 502 | XC3S1600E          | 376 | XC3S1500          | 487 |
|                        |     |                     |     |                    |     |                    |     | XC3S2000          | 565 |
| XC3S4000               | 633 |                     |     |                    |     |                    |     |                   |     |
|                        |     |                     |     |                    |     | XC3S5000           | 633 |                   |     |

The devices offer complementary solutions for different applications. The Spartan-3A DSP platform is optimized for digital signal processing and similar logic-intensive applications. The Spartan-3AN platform offers a non-volatile FPGA solution. The Spartan-3A platform has the highest number of I/Os per gate, and is most cost-effective for applications that are I/O intensive. The Spartan-3E family offers a higher number of gates per I/O, making it cost-effective for applications requiring more logic than I/O. The I/O ratios differ primarily because the Extended Spartan-3A family has a dual, staggered I/O ring around the device, while the Spartan-3E family has a single in-line I/O ring. The Spartan-3 family offers even higher density solutions for both gates and I/Os, and also has a staggered I/O ring.

### Input-Only Pins

To optimize the I/O ring and reduce cost, some I/O blocks in the Extended Spartan-3A and Spartan-3E families are input-only pins. Dedicated Inputs are IOBs usable only as inputs. Pin names designate a Dedicated Input if the name starts with *IP*, for example, *IP\_x* or *IP\_Lxxx\_x*. Dedicated inputs retain the full functionality of the IOB for input functions with a single exception for differential inputs (*IP\_Lxxx\_x*). For the differential Dedicated Inputs, the on-chip differential termination is not available. To use the on-chip differential termination, either choose a differential pair that supports outputs (*IO\_Lxxx\_x*) or use an external 100Ω termination resistor on the board.

The unidirectional, input-only block has a subset of the full IOB capabilities. Thus there are no connections or logic for an output path. The following paragraphs assume that any reference to output functionality does not apply to the input-only blocks. The number of input-only blocks varies with device size but is never more than 25% of the total IOB count.

For details on the number of input-only pins in each part/package combination, see [Chapter 1, “Overview.”](#)

## Package Footprint Compatibility

Sometimes, applications outgrow the logic capacity of a specific FPGA, or it is possible to optimize down to a lower density solution. Fortunately, each family is designed so that multiple part types are available in pin-compatible package footprints, as described in Module 4 of each family’s data sheet. In some cases, there are subtle differences between devices available in the same footprint. These differences are outlined for each package, such as pins that are unconnected on one device but connected on another in the same package, or pins that are input-only pins on one package but full I/O on another. When designing the printed circuit board (PCB), plan for potential future upgrades and package migration. For details on the package pinout compatibility within a family, see Module 4 of the data sheet for each family.

The Spartan-3A and Spartan-3AN platforms are pin compatible, and the XC3SD1800A in the Spartan-3A DSP platform offers a straightforward upward migration. There is no other pin compatibility between families; the Extended Spartan-3A pinouts, Spartan-3E pinouts, and Spartan-3 pinouts are not compatible. There are significant differences between the other families in terms of the dedicated pins, number of I/Os per bank, and package options. Each family has been optimized to maximize the efficiency of the pinout for the features found in that family. Although, for example, the Spartan-3A XC3S200A and XC3S400A devices are completely pin-compatible in the FT256 package, they are not compatible with the Spartan-3E or Spartan-3 devices in the same FT256 package.

Also note that the XC3S200A and XC3S400A pinouts are different than the XC3S700A and XC3S1400A pinouts for the FT256 package. The larger two devices require additional power and ground pins due to their higher density. Therefore some of the I/O pins on the smaller parts become power and ground pins in the larger parts. Pinout compatibility could be maintained by using those I/O pins as virtual power and ground pins in the smaller parts (see [“Optionally Place Virtual Ground Pins Around DCM Input and Output Connections”](#) in Chapter 3. If the design uses differential I/O or HSTL/SSTL, the differences in differential pairing and VREF pins will also need to be accounted for.

The I/O pins are separated into independent banks, typically four per device. Each bank has a common output voltage supply ( $V_{CCO}$ ) and a common reference voltage for HSTL and SSTL standards ( $V_{REF}$ ). The banks are numbered clockwise from the top of the device (see [Figure 10-35, page 351](#)).

## Summary of Differences

[Table 10-2](#) highlights the major differences between the I/O resources of the different Spartan-3 generation FPGA families. Some of these differences are described in more detail later in this chapter.

Table 10-2: Differences Between Architectures

| Features                                 | Spartan-3A/3AN/3A DSP FPGA | Spartan-3E FPGA          | Spartan-3 FPGA                       |
|------------------------------------------|----------------------------|--------------------------|--------------------------------------|
| Input-Only Pins                          | Yes                        | Yes                      | No                                   |
| I/O Structure                            | Staggered                  | In-Line                  | Staggered                            |
| Programmable Input Delay - Combinatorial | Dynamic, 16 Values         | Programmable, 12 Values  | Programmable, 1 Value                |
| Programmable Input Delay - Registered    | Programmable, 8 Values     | Programmable, 6 Values   | Programmable, 1 Value                |
| IOSTANDARDS                              | Vary – see details later   | Vary – see details later | Vary – see details later             |
| Banks                                    | 4                          | 4                        | 8                                    |
| Differential Termination                 | Yes, ~100Ω                 | Yes, ~ 120Ω              | N/A                                  |
| Single-Ended Termination                 | N/A                        | N/A                      | Digitally Controlled Impedance (DCI) |
| Slew Rates                               | 3                          | 2                        | 2                                    |
| Hot Swap                                 | Fully Supported            | Requires Sequencing      | Requires Sequencing                  |
| V <sub>IN</sub> Absolute Maximum         | 4.6V                       | 4.4V                     | V <sub>CCO</sub> + 0.5V or 4.05V     |
| IDDR2 Register Cascade                   | Yes                        | Yes                      | N/A                                  |
| ODDR2 Register Cascade                   | Yes                        | N/A                      | N/A                                  |

## Design Entry

In many cases the I/O resources are automatically selected by the implementation tools. Users might want to specify particular components for special purposes, such as using dedicated clock inputs. The components listed below can be instantiated in HDL code or in a schematic.

### Library Components

The Xilinx library includes an extensive list of components designed to provide support for the variety of I/O features (Table 10-3). Most of these components represent variations of the five generic I/O elements:

- IBUF (input buffer)
- IBUFG (global clock input buffer)
- OBUF (output buffer)
- OBUFT (3-state output buffer)
- IOBUF (input/output buffer)



Table 10-3: Spartan-3 Generation I/O Components

|                        | Spartan-3A/3AN/3A DSP<br>FPGA | Spartan-3E<br>FPGA | Spartan-3<br>FPGA           | Input | Output | Three-<br>State | Differential            |
|------------------------|-------------------------------|--------------------|-----------------------------|-------|--------|-----------------|-------------------------|
| IBUF                   | Y                             | Y                  | Y                           | Y     | N      | N               | N                       |
| IBUFG                  | Y                             | Y                  | Y                           | Y     | N      | N               | N                       |
| IBUFDS                 | Y                             | Y                  | Y                           | Y     | N      | N               | Y                       |
| IBUFGDS                | Y                             | Y                  | Y                           | Y     | N      | N               | Y                       |
| IBUF_DLY_ADJ           | Y                             | N                  | N                           | Y     | N      | N               | N                       |
| IBUFDS_DLY_ADJ         | Y                             | N                  | N                           | Y     | N      | N               | Y                       |
| OBUF                   | Y                             | Y                  | Y                           | N     | Y      | N               | N                       |
| OBUFDS                 | Y                             | Y                  | Y                           | N     | Y      | N               | Y                       |
| OBUFT                  | Y                             | Y                  | Y                           | N     | Y      | Y               | N                       |
| OBUFTDS                | Y                             | Y                  | Y                           | N     | Y      | Y               | Y                       |
| IOBUF                  | Y                             | Y                  | Y                           | Y     | Y      | Y               | N                       |
| IOBUFDS <sup>(1)</sup> | Y                             | Y                  | Y                           | Y     | Y      | Y               | Y                       |
| IDDR2                  | Y                             | Y                  | IFDDRCPE<br>and<br>IFDDRRSE | Y     | N      | N               | optional <sup>(2)</sup> |
| ODDR2                  | Y                             | Y                  | OFDDRCPE<br>and<br>OFDDRRSE | N     | Y      | N               | optional <sup>(2)</sup> |
| PULLUP                 | Y                             | Y                  | Y                           | Y     | Y      | -               | -                       |
| PULLDOWN               | Y                             | Y                  | Y                           | Y     | Y      | -               | -                       |
| KEEPER                 | Y                             | Y                  | Y                           | Y     | Y      | -               | -                       |

**Notes:**

1. Must use a bidirectional differential IOSTANDARD such as BLVDS.
2. Must be differential if the DDR\_ALIGNMENT = C0/C1 feature is used.

Earlier families had additional I/O components, but these are not recommended for use in new designs. These components included:

- Bus I/O (Example: IBUF4)  
These are still available for schematic entry only at 4, 8, and 16 bits wide, but individual components allow more control over constraints.
- Registered I/O (Example: IFD)  
These are also available for schematic entry and include both registered and latched I/Os. However, it is recommended that the software be allowed to optimize to either the IOB or the CLB, whichever is more efficient.
- I/O Standard Suffix (Example: IBUF\_LVCMOS18)  
These components included the IOSTANDARD as part of the component name. It is recommended to apply an IOSTANDARD constraint to a generic component instead.

## Registered I/O

The Spartan-3 generation IOB includes an optional flip-flop or latch on the input path, output path, and 3-state control input. However, there are no special library components for the I/O registers. To simplify design, especially synthesis, the standard register primitives are automatically absorbed into the IOB when possible. This feature is selected by the user by turning on the Map Property "Pack I/O Registers/Latches into IOBs", which can be set to *Off* (default), *For Inputs Only*, *For Outputs Only*, or *For Inputs and Outputs*. Alternatively, the IOB = TRUE property can be placed on a register to force the mapper to place the register in an IOB.

An optional delay element is associated with the input path in each logic input primitive (IBUF or IOBUF). When the buffer drives an input register within the IOB, the delay element activates by default to ensure a zero hold time requirement. The delay element is not used for non-registered inputs, to provide higher performance. The user can override the defaults; see "Input Delay Functions," page 321 for more details.

## Differential I/O

The Spartan-3 generation IOBs include differential I/O standards such as LVDS, BLVDS, and RSDS. Differential I/O requires two pins for every signal, which toggle in opposite directions. To support differential signaling, most I/O components have differential versions with *DS* in the name and two I/O pins on the component.

On the inputs, if only the P side of the differential pair is called out, the N side is automatically configured as the other half of the differential pair. If the N input is called out in a design for simulation and system-level integration, it is trimmed during the mapping process, although physically it is still used in conjunction with the P input, and the software does not allow it to be used for any other purpose.

On the outputs, both the P and N sides of the differential pair must be defined. The IOB must have the same net source the control pins: clock, set/reset, three-state, three-state clock enable, and output clock enable. In addition, the output pins must be inverted with respect to each other, and, if output registers are used, the D inputs must be inverted to each other and the INIT states must be opposite values (one High and one Low). Three-state registers must have the same inputs and have the same INIT states. INIT states must be set correctly for the power-up state even if the INIT function is not used in the design (INIT is connected to ground).

The pins that can be used as differential pairs are specified in the Module 4 pinout tables, including the special pairs that can be used for clock inputs.

## IBUF

Signals used as inputs to the device must source an input buffer (IBUF) via an external input port. Figure 10-2 shows the generic IBUF symbol.

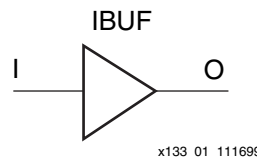


Figure 10-2: Input Buffer (IBUF) Symbol

## IBUFG

IBUFG is a special global clock input buffer that can connect directly to the BUFG (global clock buffer) and DCM components. A standard input driving a clock signal is put onto an IBUFG by the Xilinx tools, or the user can instantiate the IBUFG directly. See [Chapter 2, "Using Global Clock Resources,"](#) for more details. [Figure 10-3](#) shows the generic IBUFG symbol.

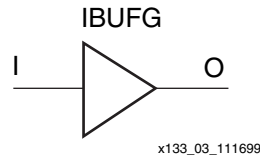


Figure 10-3: **Global Clock Input Buffer (IBUFG) Symbol**

## IBUFDS

IBUFDS is an input buffer that supports differential signaling. In IBUFDS, a design level interface signal is represented as two ports (I and IB), one deemed the "master" and the other the "slave." The master and the slave are opposite phases of the same logical signal (for example, MYNET and MYNETB). [Figure 10-4](#) shows the generic IBUFDS symbol.

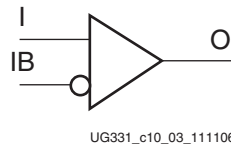


Figure 10-4: **Differential Input Buffer (IBUFDS) Symbol**

## OBUF

An OBUF must drive outputs through an external output port. [Figure 10-5](#) shows the generic output buffer (OBUF) symbol.

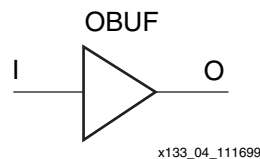


Figure 10-5: **Output Buffer (OBUF) Symbol**

## OBUFT

The generic 3-state output buffer OBUFT, shown in [Figure 10-7](#), typically implements 3-state outputs. Unused I/Os are configured with a disabled OBUFT.

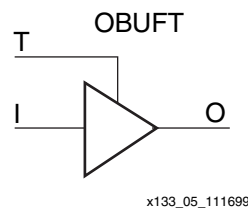


Figure 10-6: **3-State Output Buffer (OBUFT) Symbol**

## IOBUF

Use the IOBUF symbol for bidirectional signals that require both an input buffer and a 3-state output buffer with an active high 3-state pin. This symbol combines the functionality of the OBUFT and IBUF symbols. [Figure 10-7](#) shows the generic input/output buffer IOBUF.

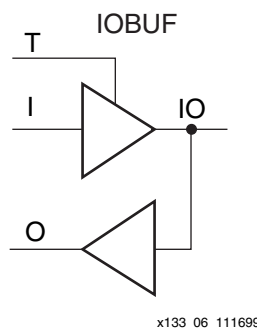


Figure 10-7: Input/Output Buffer (IOBUF) Symbol

### Pull-Up, Pull-Down, and Keeper Circuits

Three-state output buffers and bidirectional buffers can have a pull-up resistor, a pull-down resistor, or a *keeper* circuit. Control this feature by adding the appropriate symbol to the output net of the OBUFT or IOBUF (PULLUP, PULLDOWN, or KEEPER).

$V_{REF}$  is typically needed only for inputs that use an IOSTANDARD requiring  $V_{REF}$  such as HSTL and SSTL inputs. However, an IOB configured using an OBUFT with a weak keeper circuit requires the input buffer to sample the I/O signal. Therefore, using an OBUFT requires the use of the  $V_{REF}$  pins in the bank if the OBUFT is configured with KEEPER and a standard that requires  $V_{REF}$ . In most applications, the  $V_{REF}$  pins in the bank are needed anyway because the OBUFT is usually combined with an input IBUF component.

### DDR and Adjustable Delay I/O Components

The DDR components (IDDR2 and ODDR2) are discussed in [“Double-Data-Rate Transmission,”](#) page 326. The adjustable delay (IBUF\_DLY\_ADJ) is discussed in [“Input Delay Functions,”](#) page 321.

### HDL Entry

I/O components can be easily instantiated in VHDL or Verilog code. The Xilinx development system includes language templates for any of the standard I/O components.

Following is an example of the template for the IOBUF input/output buffer component. Registers can automatically be merged into the I/O block, simplifying the generation of the HDL code.

```
-- INOUT_PORT : inout STD_LOGIC;
--**Insert the following between the
-- 'architecture' and 'begin' keywords**
signal IN_SIG, OUT_SIG, T_ENABLE: std_logic;
component IOBUF
 port (I, T: in std_logic;
 O: out std_logic;
 IO: inout std_logic);
```

```

end component;
--**Insert the following after the 'begin' keyword**
U1: IOBUF port map (I => OUT_SIG, T => T_ENABLE,
 O => IN_SIG, IO => INOUT_PORT);

```

## Architectural Details

### Input Delay Functions

An optional delay element is associated with each input path. When the buffer drives an input register within the IOB, the delay element activates by default to ensure a zero hold time requirement. This is desirable because the clock signal has a longer path to the IOB through the global clock buffer and global clock routing, as shown in Figure 10-8. The delay element slows down the data input so that when data and clock pins change at the same time, the clock arrives first and clocks in the data set up on the previous clock edge. The delayed data signal then arrives at the flip-flop, ready for the next clock edge.

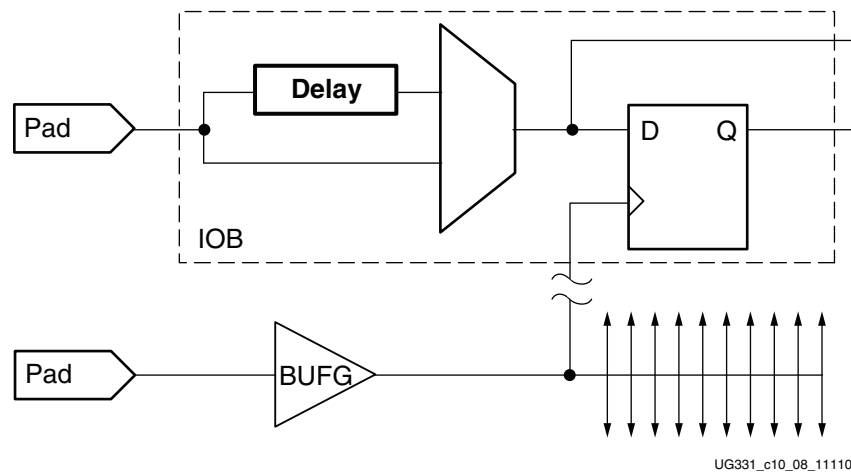


Figure 10-8: Simplified View of Data and Clock Routing to Input Flip-Flop

There are actually two flip-flops on the input path to support double data rate signaling called IFF1 and IFF2. They generate IOB signals IQ1 and IQ2, respectively, as shown in Figure 10-1, page 313. The delay element choice affects both flip-flops.

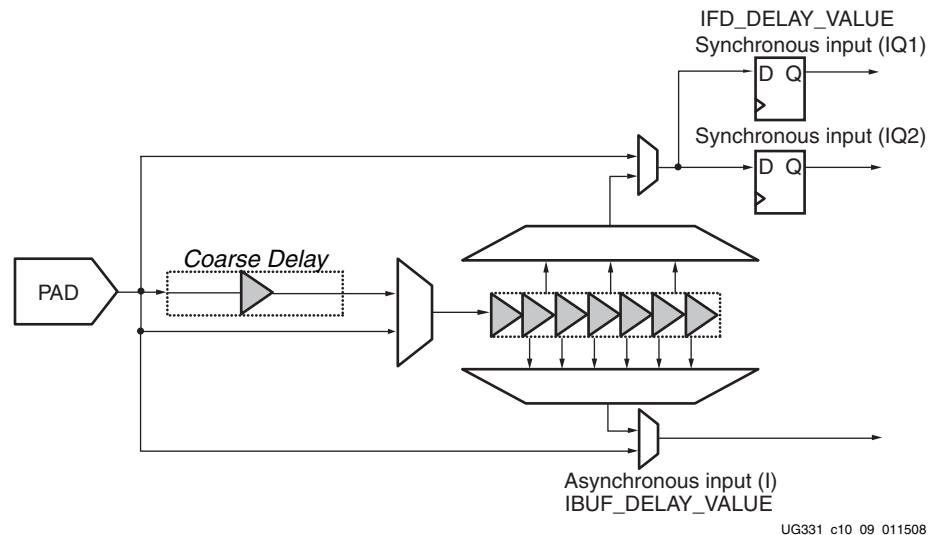
The delay element is not used for non-registered (combinatorial) inputs in order to provide higher performance. An IOB can supply both a registered and a non-registered version of the same input pad if required in the application. When both paths are used, the delay element choice is independent for the two paths, for example, allowing the registered path to be delayed while the combinatorial path is not.

The user can override the defaults, either adding the delay to a combinatorial input or removing it from a registered input. Extra delay might be required on some clock or data inputs, for example, in interfaces to various types of RAM. If the design uses a DCM in the clock path, then the delay element can be removed from registered inputs, still without a hold time requirement.

### Programmable Delay

In the Spartan-3E and Extended Spartan-3A families, the delay block itself has programmable delay values.

Each IOB has a programmable delay block that can delay the input signal by a programmable amount. In Figure 10-9, the signal path has a coarse delay element that can be bypassed. The input signal then feeds a 6-tap delay line in the Spartan-3E family (an 8-tap delay line in the Extended Spartan-3A family). All six taps are available via a multiplexer for use as an asynchronous input directly into the FPGA fabric. Three of the six taps are also available via a multiplexer to the D inputs of the synchronous storage elements. The coarse delay element is common to both asynchronous and synchronous paths, and must be either used or not used for both paths.



UG331\_c10\_09\_011508

Figure 10-9: Programmable Fixed Input Delay Elements

These delay values are set up in the silicon once at configuration time through the IBUF\_DELAY\_VALUE and the IFD\_DELAY\_VALUE parameters. The default IBUF\_DELAY\_VALUE is 0, bypassing the delay elements for the asynchronous input. The user can set this parameter to 0-12 in the Spartan-3E family. The default IFD\_DELAY\_VALUE is AUTO; the Xilinx software chooses the default value automatically because the value depends on device size. The default values are shown in the data sheet timing specifications, and are indicated in the Map report generated by the implementation tools. The user can select a specific IFD\_DELAY\_VALUE from 0-6 in the Spartan-3E family, and the resulting timing is reported by the Timing Analyzer tool.

IBUF\_DELAY\_VALUE and IFD\_DELAY\_VALUE are independent for each input. If the same input pin uses both registered and non-registered input paths, both parameters can be used, but they must both be in the same half of the total delay (both either bypassing or using the initial delay element).

## Dynamic Delay in Extended Spartan-3A Family

The Extended Spartan-3A family has the same input delay structure as described for Spartan-3E devices, but add more taps (8 on the registered path and 16 on the combinatorial path) and dynamic adjustment on the combinatorial path. The delay on the combinatorial input can be dynamically adjusted during operation without having to reconfigure the device, allowing the device to be fine-tuned to the specific operating conditions of the system. Three control inputs to the delay element taps allow immediate changes to the delay amount. The choice of the coarse delay element is still fixed as part of the device configuration. Note that dynamic input delay adjustment was not supported on

banks 0 and 2 (top and bottom) until ISE® software, version 9.2i became available in mid-2007.

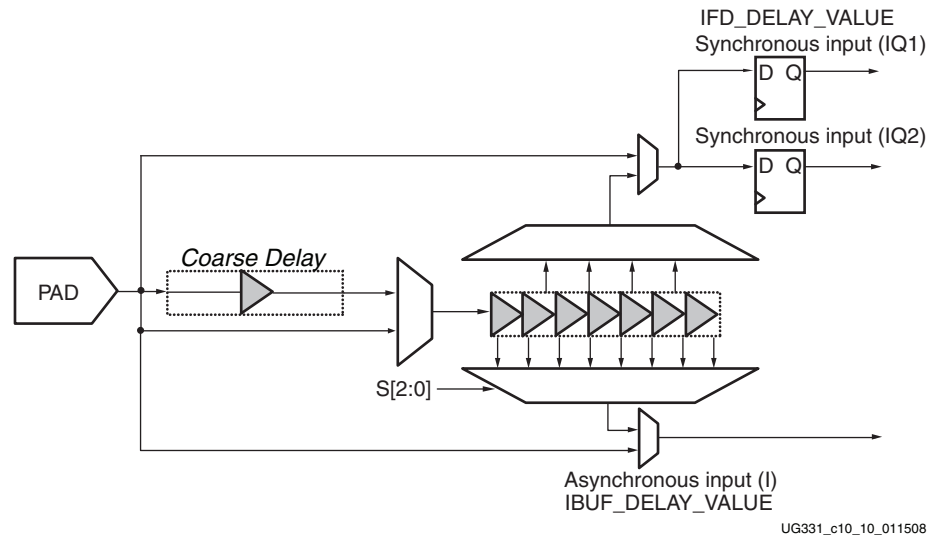


Figure 10-10: Spartan-3A/3AN/3A DSP Programmable Dynamic Input Delay Elements

The delay values at configuration are still controlled by the IFD\_DELAY\_VALUE and IBUF\_DELAY\_VALUE parameters. To use the dynamic adjustment delay for combinatorial inputs, replace the IBUF component with the IBUF\_DLY\_ADJ component (see Figure 10-11) and connect the three select inputs. The IBUF\_DLY\_ADJ component is only used for the combinatorial (non-registered) path, and has no affect on the IFD (registered) path.

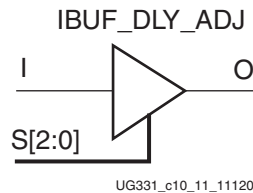


Figure 10-11: Input Buffer Symbol with Dynamic Delay Adjustment

The IBUF\_DLY\_ADJ only allows moving up or down half of the total delay amount. The DELAY\_OFFSET parameter specifies whether it is the first half or the second half of the delay amounts. DELAY\_OFFSET = ON feeds the coarse delay element into the dynamic mux, while DELAY\_OFFSET = OFF bypasses the coarse delay element. Table 10-4 shows how the IBUF\_DELAY\_VALUE corresponds to the Select lines. The binary equivalents of the Select lines, 0 to 7, correspond to the IBUF\_DELAY\_VALUE options of 1-8 or 9-16. An IBUF\_DELAY\_VALUE of 0 corresponds to completely bypassing the delay functions, and is available with the IBUF component only, not IBUF\_DLY\_ADJ.

Table 10-4: Fixed and Dynamic Delay Values

| S[2:0] | DELAY_OFFSET | Equivalent IBUF_DELAY_VALUE |
|--------|--------------|-----------------------------|
| 0      | OFF          | 1                           |
| 1      |              | 2                           |
| 2      |              | 3                           |
| 3      |              | 4                           |
| 4      |              | 5                           |
| 5      |              | 6                           |
| 6      |              | 7                           |
| 7      |              | 8                           |
| 0      | ON           | 9                           |
| 1      |              | 10                          |
| 2      |              | 11                          |
| 3      |              | 12                          |
| 4      |              | 13                          |
| 5      |              | 14                          |
| 6      |              | 15                          |
| 7      |              | 16                          |

Figure 10-12 shows how the two types of delay specifications control the muxes.

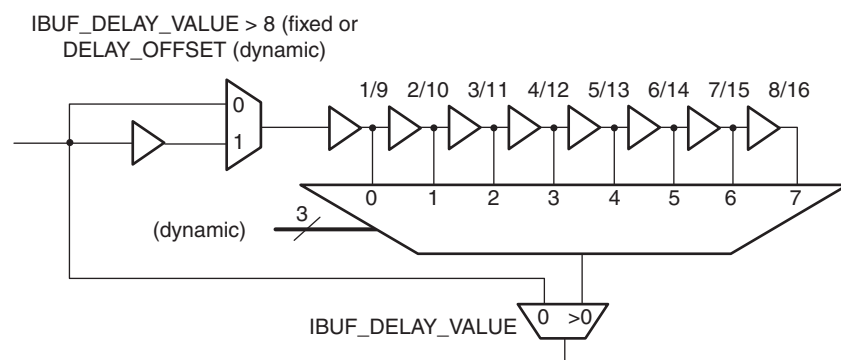


Figure 10-12: Fixed and Dynamic Delay Controls

## Storage Element Functions

There are three pairs of storage elements in each IOB, one pair for each of the three paths. It is possible to configure each of these storage elements as an edge-triggered D-type flip-flop (FD) or a level-sensitive latch (LD).

The storage-element pair on either the Output path or the Three-State path can be used together with a special multiplexer to produce Double-Data-Rate (DDR) transmission.



This is accomplished by taking data synchronized to the clock signal's rising edge and converting it to bits synchronized on both the rising and the falling edge. The combination of two registers and a multiplexer is referred to as a Double-Data-Rate D-type flip-flop (ODDR2).

Table 10-5 describes the signal paths associated with the storage element.

Table 10-5: Storage Element Signal Description

| Storage Element Signal | Description        | Function                                                                                                                                                                                                                                                                                                    |
|------------------------|--------------------|-------------------------------------------------------------------------------------------------------------------------------------------------------------------------------------------------------------------------------------------------------------------------------------------------------------|
| D                      | Data input         | Data at this input is stored on the active edge of CK and enabled by CE. For latch operation when the input is enabled, data passes directly to the output Q.                                                                                                                                               |
| Q                      | Data output        | The data on this output reflects the state of the storage element. For operation as a latch in transparent mode, Q mirrors the data at D.                                                                                                                                                                   |
| CK                     | Clock input        | Data is loaded into the storage element on this input's active edge with CE asserted.                                                                                                                                                                                                                       |
| CE                     | Clock Enable input | When asserted, this input enables CK. If not connected, CE defaults to the asserted state.                                                                                                                                                                                                                  |
| SR                     | Set/Reset input    | This input forces the storage element into the state specified by the SRHIGH/SRLOW attributes. The SYNC/ASYNC attribute setting determines if the SR input is synchronized to the clock or not. If both SR and REV are active at the same time, the storage element gets a value of 0.                      |
| REV                    | Reverse input      | This input is used together with SR. It forces the storage element into the state opposite from what SR does. The SYNC/ASYNC attribute setting determines whether the REV input is synchronized to the clock or not. If both SR and REV are active at the same time, the storage element gets a value of 0. |

As shown in Figure 10-1, page 313, the upper registers in both the output and three-state paths share a common clock. The OTCLK1 clock signal drives the CK clock inputs of the upper registers on the output and three-state paths. Similarly, OTCLK2 drives the CK inputs for the lower registers on the output and three-state paths. The upper and lower registers on the input path have independent clock lines: ICLK1 and ICLK2.

Clock routing resources are often shared between adjacent IOBs, including differential pairs. In these situations, the two OTCLK1, OTCLK2, ICLK1, and ICLK2 signals must be identical when both IOBs used them. The software can swap between the upper and lower registers if necessary, unless both are used in a DDR configuration.

The OCE enable line controls the CE inputs of the upper and lower registers on the output path. Similarly, TCE controls the CE inputs for the register pair on the three-state path and ICE does the same for the register pair on the input path.

The Set/Reset (SR) line entering the IOB controls all six registers, as is the Reverse (REV) line.

In addition to the signal polarity controls, each storage element additionally supports the controls described in Table 10-6.

Table 10-6: Storage Element Options

| Option Switch | Function                                                                                                                                                                                                                                               | Specificity                                                                                                                                                                                                                                      |
|---------------|--------------------------------------------------------------------------------------------------------------------------------------------------------------------------------------------------------------------------------------------------------|--------------------------------------------------------------------------------------------------------------------------------------------------------------------------------------------------------------------------------------------------|
| FF/Latch      | Chooses between an edge-triggered flip-flop or a level-sensitive latch                                                                                                                                                                                 | Independent for each storage element                                                                                                                                                                                                             |
| SYNC/ASYNC    | Determines whether the SR set/reset control is synchronous or asynchronous                                                                                                                                                                             | Independent for each storage element                                                                                                                                                                                                             |
| SRHIGH/SRLOW  | Determines whether SR acts as a Set, which forces the storage element to a logic "1" (SRHIGH) or a Reset, which forces a logic "0" (SRLOW)                                                                                                             | Independent for each storage element, except when using ODDR2. In the latter case, the selection for the upper element will apply to both elements.                                                                                              |
| INIT1/INIT0   | When Global Set/Reset (GSR) is asserted or after configuration this option specifies the initial state of the storage element, either set (INIT1) or reset (INIT0). By default, choosing SRLOW also selects INIT0; choosing SRHIGH also selects INIT1. | Independent for each storage element, except when using ODDR2, which uses two IOBs. In the ODDR2 case, selecting INIT0 for one IOBs applies to both elements within the IOB, although INIT1 could be selected for the elements in the other IOB. |

## Double-Data-Rate Transmission

Double-Data-Rate (DDR) transmission describes the technique of synchronizing signals to both the rising and falling edges of the clock signal. Register pairs are available in all three IOB paths to perform DDR operations.

The pair of storage elements on the IOB's Output path (OFF1 and OFF2), used as registers, combine with a special multiplexer to form a DDR D-type flip-flop (ODDR2). This primitive permits DDR transmission where output data bits are synchronized to both the rising and falling edges of a clock. DDR operation requires two clock signals (usually 50% duty cycle), one the inverted form of the other. These signals trigger the two registers in alternating fashion, as shown in Figure 10-13. The Digital Clock Manager (DCM) generates the two clock signals by mirroring an incoming signal, and then shifting it 180 degrees. This approach ensures minimal skew between the two signals. Alternatively, the inverter inside the IOB can be used to invert the clock signal, thus only using one clock line and both rising and falling edges of that clock line as the two clocks for the DDR flip-flops.

The storage-element pair on the Three-State path (TFF1 and TFF2) also can be combined with a local multiplexer to form a DDR primitive. This permits synchronizing the output enable to both the rising and falling edges of a clock. This DDR operation is realized in the same way as for the output path.

The storage-element pair on the input path (IFF1 and IFF2) allows an I/O to receive a DDR signal. An incoming DDR clock signal triggers one register, and the inverted clock signal triggers the other register. The registers take turns capturing bits of the incoming DDR data signal. The primitive to allow this functionality is called IDDDR2.

Note that the ODDR2 and IDDDR2 primitives must be used to access the special DDR logic in the IOBs.

Aside from high bandwidth data transfers, DDR outputs also can be used to reproduce, or *mirror*, a clock signal on the output. This approach is used to transmit clock and data signals together (source synchronously). A similar approach is used to reproduce a clock signal at multiple outputs. The advantage for both approaches is that skew across the outputs is minimal.

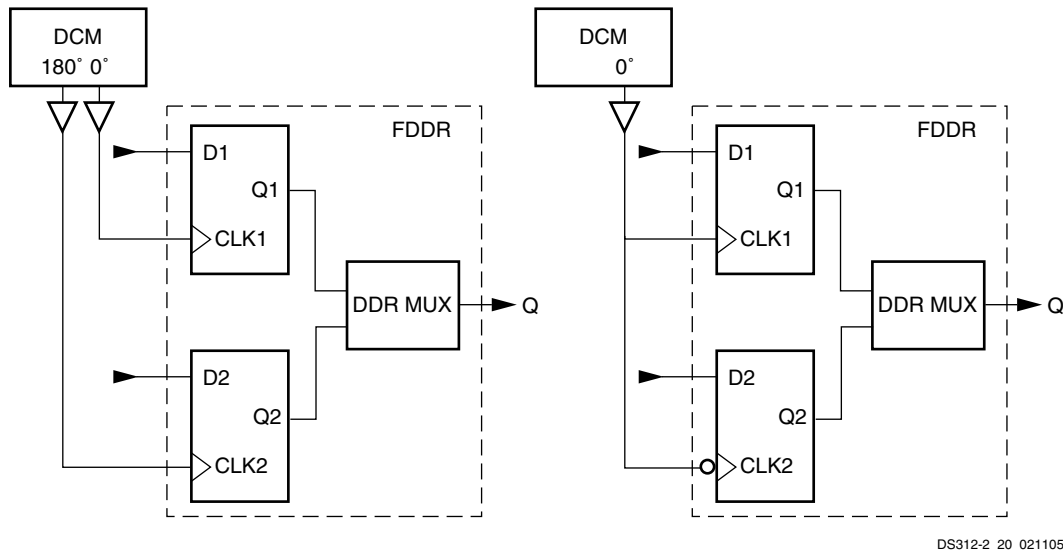


Figure 10-13: Two Methods for Clocking the DDR Register

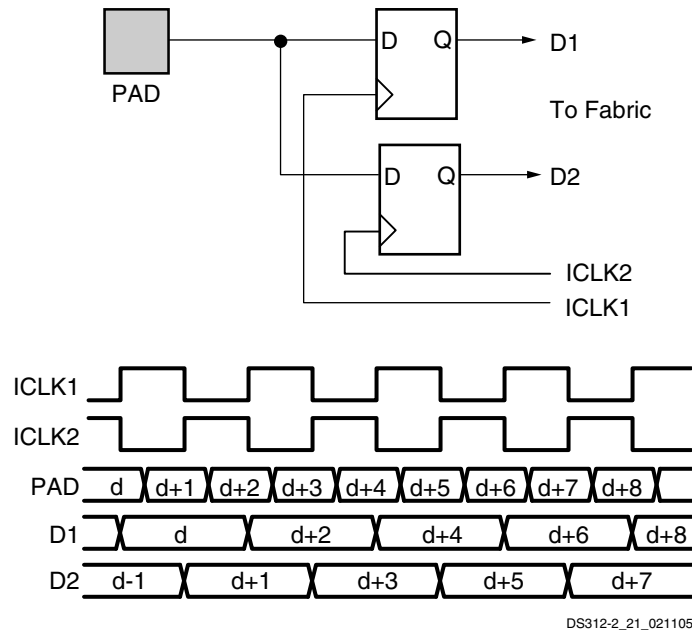
## Register Cascade Feature

In the Spartan-3E and Extended Spartan-3A families, one of the IOBs in a differential pair can cascade its storage elements with those in the other IOB of the differential pair. This is intended to make DDR operation at high speed much simpler to implement. The new IDDRIN1/2 connections that are available are shown in Figure 10-1 (dashed lines), and are only available for routing between IOBs and are not accessible to the FPGA fabric and are only used within the IDDR2/ODDR2 components. Note that this feature is only available when using differential I/O and is not available in the Spartan-3 family and is supported on inputs only (IDDR2) in the Spartan-3E family. The supported differential standards include the true differential signaling standards, such as LVDS, MINI\_LVDS, and RSDS, but do not include the pseudo-differential standards, such as DIFF\_HSTL, DIFF\_SSTL, and LVPECL.

Note that the register cascade feature is accessed using the same IDDR2 and ODDR2 primitives as for the standard DDR interface, but with the `DDR_ALIGNMENT` attribute set to either clock C0 or clock C1. The cascaded register does not need to be instantiated, but the adjacent I/O must be unused (as the other half of a differential pair). The default is `DDR_ALIGNMENT=NONE`, which does not use the cascade feature.

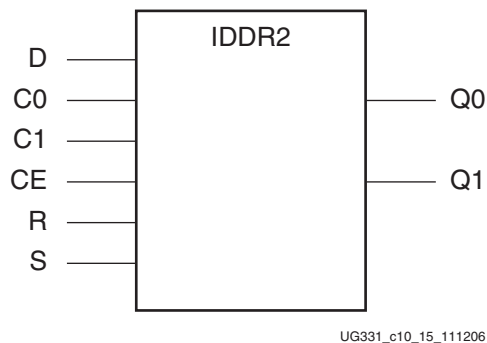
## IDDR2

As a DDR input pair, the master IOB registers incoming data on the rising edge of ICLK1 (= D1) and the rising edge of ICLK2 (= D2), which is typically the same as the falling edge of ICLK1. This data is then transferred into the FPGA fabric. At some point, both signals must be brought into the same clock domain, typically ICLK1. This can be difficult at high frequencies because the available time is only one half of a clock cycle assuming a 50% duty cycle. See Figure 10-14 for a graphical illustration of this function.



DS312-2\_21\_021105

Figure 10-14: Input DDR (without Cascade Feature)



UG331\_c10\_15\_111206

Figure 10-15: IDDR2 Component

When using the cascade feature ( $\text{DDR\_ALIGNMENT}=\text{C0/C1}$ ), the signal D2 can be cascaded into the storage element of the adjacent slave IOB. There it is re-registered to ICLK1, and only then fed to the FPGA fabric where it is now already in the same time domain as D1. Here, the FPGA fabric uses only the clock ICLK1 to process the received data. See [Figure 10-16](#) for a graphical illustration of this function.

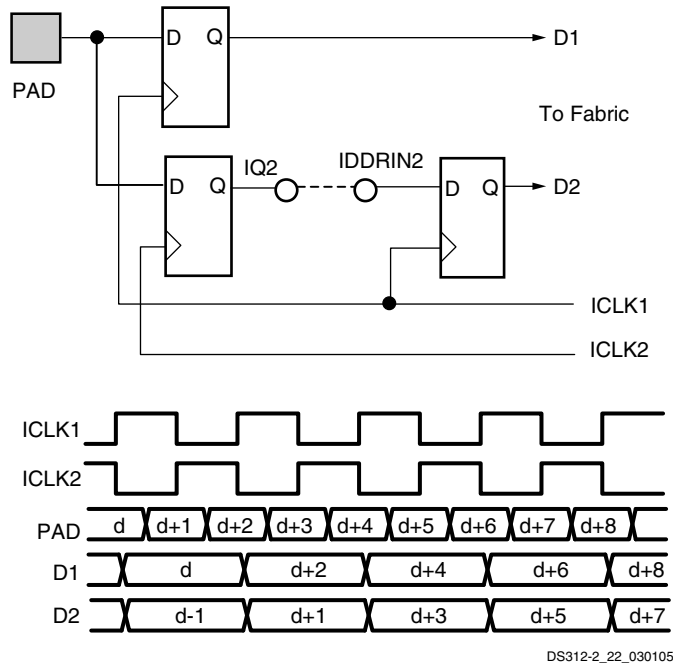


Figure 10-16: Input DDR Using Cascade Feature (IDDR2 with DDR\_ALIGNMENT=C0/C1)

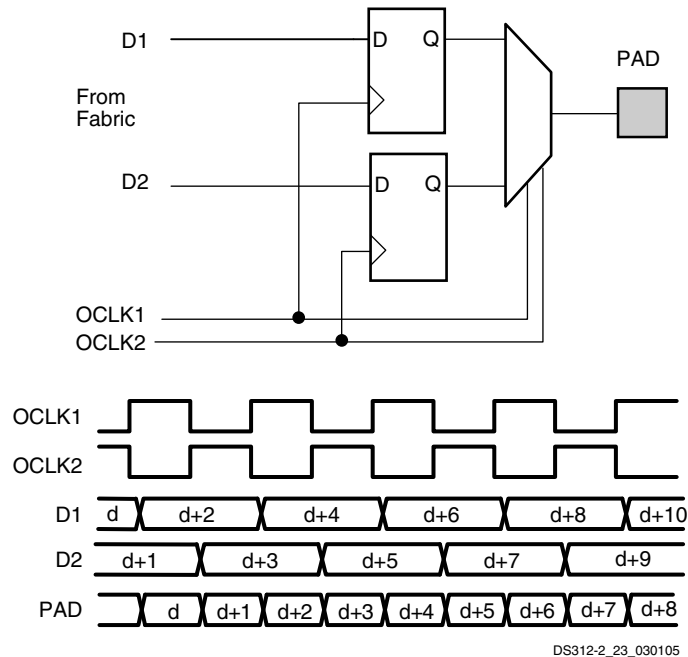
## ODDR2

As a DDR output pair, the master IOB registers data coming from the FPGA fabric on the rising edge of OCLK1 (= D1) and the rising edge of OCLK2 (= D2), which is typically the same as the falling edge of OCLK1. These two bits of data are multiplexed by the DDR mux and forwarded to the output pin. The D2 data signal must be resynchronized from the OCLK1 clock domain to the OCLK2 domain using FPGA slice flip-flops. Placement is critical at high frequencies, because the time available is only one half a clock cycle. See Figure 10-17 for a graphical illustration of this function.

In the ODDR2 component for the Extended Spartan-3A family, the DDR\_ALIGNMENT attribute allows both data bits to be captured on C0 or C1 (DDR\_ALIGNMENT=C0 or DDR\_ALIGNMENT=C1).

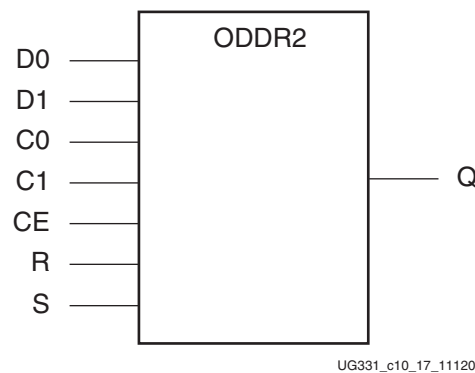
**Caution!** The Spartan-3E family does not support using the C0 or C1 alignment feature of the ODDR2 flip-flop. The ODDR2 flip-flop without the alignment feature is fully supported, as is the IDDR2 flip-flop with alignment. Without the alignment feature, the ODDR2 component behaves equivalently to the ODDR flip-flop components on previous Xilinx FPGA families. The Spartan-3A/3AN production devices and Spartan-3A DSP devices fully support this feature.

Clock routing resources are often shared between adjacent IOBs, including differential pairs. In these situations, the two OTCLK1, OTCLK2, ICLK1, and ICLK2 signals must be identical when both IOBs used them. The software can swap between the upper and lower registers if necessary, unless both are used in a DDR configuration.



DS312-2\_23\_030105

Figure 10-17: Output DDR (without Cascade Feature)



UG331\_c10\_17\_111206

Figure 10-18: ODDR2 Component

## Pull-Up and Pull-Down Resistors

Pull-up and pull-down resistors inside each IOB optionally force a floating I/O or Input-only pin to a determined state. Pull-up and pull-down resistors are commonly applied to unused I/Os, inputs, and three-state outputs, but can be used on any I/O or Input-only pin. The pull-up resistor connects an IOB to  $V_{CC0}$  through a resistor. The resistance value depends on the  $V_{CC0}$  voltage (see Module 3 for the specifications). The pull-down resistor similarly connects an IOB to ground with a resistor. The pull-down resistor is powered by  $V_{CCAUX}$  in the Extended Spartan-3A family and by  $V_{CC0}$  in the Spartan-3/3E families.

The PULLUP and PULLDOWN attributes and library primitives turn on these optional resistors. By default, PULLDOWN resistors terminate all unused I/O and Input-only pins. Unused I/O and Input-only pins can alternatively be set to PULLUP or FLOAT. To change the unused I/O Pad setting, set the Bitstream Generator (BitGen) option *UnusedPin* to PULLUP, PULLDOWN, or FLOAT. The *UnusedPin* option is accessed through the Properties for Generate Programming File in the ISE software.

During configuration, a Low logic level on the PUDC\_B pin (HSWAP in the Spartan-3E family and HSWAP\_EN in the Spartan-3 family) activates pull-up resistors on all I/O and Input-only pins not actively used in the selected configuration mode.

## FPGA Pull-Up Resistor Values

The value of the dedicated and optional pull-up resistors is specified as a current, symbol  $I_{PU}$  in the respective Spartan-3 generation data sheet. The equivalent resistor values provided in [Table 10-7](#) are for reference. Note that these resistor values are stronger than a typical weak pull-up resistor, especially in the earlier Spartan-3 and Spartan-3E families, and require proper external resistor values to overcome them. See the data sheets for more exact values:

- Spartan-3: [DS099](#)
- Spartan-3E: [DS312](#)
- Spartan-3A: [DS529](#)
- Spartan-3AN: [DS557](#)
- Spartan-3A DSP: [DS610](#)

**Caution!** The pull-up resistors in Spartan-3 generation FPGAs are strong, especially at higher supply voltages.

**Table 10-7: Pull-Up Resistor Ranges by Spartan-3 Generation Family**

| Voltage Range                            | Spartan-3 FPGA | Spartan-3E FPGA | Spartan-3A/3AN/3A DSP FPGA | Units      |
|------------------------------------------|----------------|-----------------|----------------------------|------------|
| $V_{CCAUX}$ or $V_{CCO} = 3.0$ to $3.6V$ |                |                 | 5.1 to 23.9                | k $\Omega$ |
| $V_{CCO} = 3.0$ to $3.45V$               | 1.27 to 4.11   | 2.4 to 10.8     |                            |            |
| $V_{CCAUX}$ or $V_{CCO} = 2.3$ to $2.7V$ | 1.15 to 3.25   | 2.7 to 11.8     | 6.2 to 33.1 <sup>(1)</sup> |            |
| $V_{CCO} = 1.7$ to $1.9V$                | 2.45 to 9.10   | 4.3 to 20.2     | 8.4 to 52.6                |            |

**Notes:**

3. Spartan-3AN FPGAs require  $V_{CCAUX} = 3.0$  to  $3.6V$

## Keeper Circuit

Each I/O has an optional keeper circuit (see [Figure 10-19](#)) that keeps bus lines from floating when not being actively driven. The KEEPER circuit retains the last logic level on a line after all drivers have been turned off. Apply the KEEPER attribute or use the KEEPER library primitive to use the KEEPER circuitry. Pull-up and pull-down resistors override the KEEPER settings.

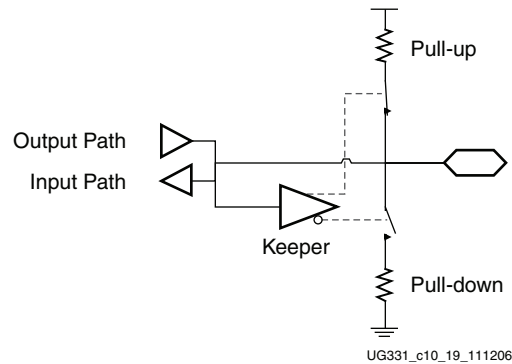


Figure 10-19: Keeper Circuit

## JTAG Boundary-Scan Capability

All IOBs support Boundary-Scan testing compatible with IEEE 1149.1/1532 standards. For more information, see [Chapter 21, “Using Boundary-Scan and BSDL Files.”](#)

## SelectIO Signal Standards

The Input/Output Blocks (IOBs) feature inputs and outputs that support a wide range of single-ended I/O signaling standards. The majority of the I/Os also can be used to form differential pairs to support any of the differential signaling standards. This flexibility allows the user to select the best I/O standard on each pin that meets the interface and signal integrity requirements of the application.

The I/O pins are separated into independent banks, typically four per device. Each bank has a common output voltage supply ( $V_{CCO}$ ) and a common reference voltage for HSTL and SSTL standards ( $V_{REF}$ ). The banks are numbered clockwise from the top of the device (see [Figure 10-35, page 351](#)).

## Overview of I/O Standards

Modern bus applications, pioneered by the largest and most influential companies in the digital electronics industry, are commonly introduced with a new I/O standard tailored specifically to the needs of that application. The bus I/O standards provide specifications to other vendors who create products designed to interface with these applications. Each standard often has its own specifications for current, voltage, I/O buffering, and termination techniques.

The ability to provide the flexibility and time-to-market advantages of programmable logic is increasingly dependent on the capability of the programmable logic device to support an ever increasing variety of I/O standards. The SelectIO resources feature highly configurable input and output buffers which provide support for a wide variety of I/O standards.

[Table 10-8](#) provides a brief overview of the I/O standards supported by the Spartan-3 generation FPGAs, including the sponsors and common uses for the standard. The standard numbers are indicated where appropriate.



Table 10-8: I/O Signaling Standards

| Standard                      | Description                                | Spec                                        | Use/Sponsor                                                                                                       | Input Buffer            | Output Buffer     |
|-------------------------------|--------------------------------------------|---------------------------------------------|-------------------------------------------------------------------------------------------------------------------|-------------------------|-------------------|
| <b>Single-Ended Standards</b> |                                            |                                             |                                                                                                                   |                         |                   |
| LVTTTL                        | Low Voltage TTL                            | <a href="#">JESD8C</a>                      | General purpose 3.3V                                                                                              | LVTTTL                  | Push-Pull         |
| LVC MOS                       | Low Voltage CMOS                           | <a href="#">JESD8C</a>                      | General purpose                                                                                                   | CMOS                    | Push-Pull         |
| PCI                           | Peripheral Component Interconnect          | <a href="#">PCI SIG</a>                     | PCI bus                                                                                                           | LVTTTL                  | Push-Pull         |
| GTL                           | Gunning Transceiver Logic                  | <a href="#">JESD8-3</a>                     | High-speed bus, backplane; Xerox                                                                                  | V <sub>REF</sub> -based | Open Drain        |
| GTL+                          | GTL Plus                                   |                                             | Intel® Pentium® Pro                                                                                               |                         |                   |
| HSTL                          | High-Speed Transceiver Logic               | <a href="#">JESD8-6</a>                     | Hitachi SRAM; IBM; three of four classes supported                                                                | V <sub>REF</sub> -based | Push-Pull         |
| SSTL3                         | Stub Series Terminated Logic for 3.3V      | <a href="#">JESD8-8</a>                     | SRAM/ SDRAM bus; Hitachi and IBM; two classes                                                                     | V <sub>REF</sub> -based | Push-Pull         |
| SSTL2                         | SSTL for 2.5V                              | <a href="#">JESD8-9</a>                     |                                                                                                                   |                         |                   |
| SSTL18                        | SSTL for 1.8V                              | JC42.3                                      |                                                                                                                   |                         |                   |
| <b>Differential Standards</b> |                                            |                                             |                                                                                                                   |                         |                   |
| LVDS                          | Low Voltage Differential Signaling         | <a href="#">ANSI/TIA/EIA-644-A</a>          | High-speed interface, backplane, video; National, TI                                                              | Differential Pair       | Differential Pair |
| BLVDS                         | Bus LVDS                                   | <a href="#">ANSI/TIA/EIA-644-A</a>          | Multipoint LVDS                                                                                                   | Differential Pair       | Differential Pair |
| LVPECL                        | Low Voltage Positive ECL                   | Freescale Semiconductor (formerly Motorola) | High-speed clocks                                                                                                 | Differential Pair       | Differential Pair |
| LDT                           | Lightning Data Transport (HyperTransport™) | <a href="#">HyperTransport Spec v3.0</a>    | Bidirectional serial/parallel high-bandwidth, low-latency computer bus; <a href="#">HyperTransport Consortium</a> | Differential Pair       | Differential Pair |
| MINI_LVDS                     | mini-LVDS                                  | <a href="#">TI</a>                          | Flat panel displays                                                                                               | Differential Pair       | Differential Pair |
| LVDS EXT                      | LVDS Extended                              | Extension of LVDS                           | Higher drive requirements                                                                                         | Differential Pair       | Differential Pair |
| RSDS                          | Reduced Swing Differential Signaling       | <a href="#">National Semiconductor</a>      | Flat panel displays                                                                                               | Differential Pair       | Differential Pair |

Table 10-8: I/O Signaling Standards

| Standard | Description                                 | Spec                                          | Use/Sponsor                | Input Buffer      | Output Buffer     |
|----------|---------------------------------------------|-----------------------------------------------|----------------------------|-------------------|-------------------|
| TMDS     | Transition Minimized Differential Signaling | <a href="#">Digital Display Working Group</a> | Silicon Image;<br>DVI/HDMI | Differential Pair | Differential Pair |
| PPDS     | Point-to-Point Differential Signaling       | <a href="#">National Semiconductor</a>        | LCDs                       | Differential Pair | Differential Pair |

### LVTTTL — Low-Voltage TTL

The Low-Voltage TTL (LVTTTL) standard is a general-purpose EIA/JESD standard for 3.3V applications that uses an LVTTTL input buffer and a Push-Pull output buffer. This standard requires a 3.3V output source voltage ( $V_{CCO}$ ), but does not require the use of a reference voltage ( $V_{REF}$ ) or a termination voltage ( $V_{TT}$ ).

### LVC MOS — Low-Voltage CMOS

The Low-Voltage CMOS standard is used for general-purpose applications at voltages from 1.2V to 3.3V. This standard does not require the use of a reference voltage ( $V_{REF}$ ) or a board termination voltage ( $V_{TT}$ ).

### PCI — Peripheral Component Interface

The Peripheral Component Interface (PCI) standard specifies support for both 33 MHz and 66 MHz PCI bus applications. It uses an LVTTTL input buffer and a Push-Pull output buffer. This standard does not require the use of a reference voltage ( $V_{REF}$ ) or a board termination voltage ( $V_{TT}$ ); however, it does require a 3.3V output source voltage ( $V_{CCO}$ ).

### GTL — Gunning Transceiver Logic Terminated

The Gunning Transceiver Logic (GTL) standard is a high-speed bus standard invented by Xerox. Xilinx has implemented the terminated variation for this standard. This standard requires a  $V_{REF}$ -based input buffer and an Open-Drain output buffer.

### GTL+ — Gunning Transceiver Logic Plus

The Gunning Transceiver Logic Plus (GTL+) standard is a high-speed bus standard (JESD8.3) first used by the Intel Pentium Pro processor.

### HSTL — High-Speed Transceiver Logic

The High-Speed Transceiver Logic (HSTL) standard is a general-purpose, high-speed 1.5V or 1.8V bus standard sponsored by IBM. This standard has four variations or classes: Class I, II, III, and IV. This standard requires a  $V_{REF}$ -based input buffer and a Push-Pull output buffer.

### SSTL3 — Stub Series Terminated Logic for 3.3V

The Stub Series Terminated Logic standard is a general-purpose memory bus standard sponsored by Hitachi and IBM (JESD8-8). This standard has multiple voltages from 1.8V to 3.3V, and two classes, I and II. This standard requires a  $V_{REF}$ -based input buffer and a Push-Pull output buffer.

## SSTL2 — Stub Series Terminated Logic for 2.5V

The Stub Series Terminated Logic standard is a general-purpose memory bus standard sponsored by Hitachi and IBM (JESD8-8). This standard has multiple voltages from 1.8V to 3.3V, and two classes, I and II. This standard requires a  $V_{REF}$ -based input buffer and a Push-Pull output buffer.

## SSTL18 — Stub Series Terminated Logic for 1.8V

The SSTL18 standard, specified by JEDEC Standard JC42.3, is a general-purpose 1.8V memory bus standard. This voltage-referenced standard has two variations or classes, both of which require a reference voltage of 0.90 V, an input/output source voltage of 1.8 V, and a termination voltage of 0.90 V. This standard requires a  $V_{REF}$ -based input buffer and a Push-Pull output buffer. SSTL18 is used for high-speed SDRAM interfaces.

## LVDS — Low Voltage Differential Signal

LVDS is a differential I/O standard. As with all differential signaling standards, LVDS requires that one data bit is carried through two signal lines, and it has an inherent noise immunity over single-ended I/O standards. The voltage swing between two signal lines is approximately 350 mV. The use of a reference voltage ( $V_{REF}$ ) or a board termination voltage ( $V_{TT}$ ) is not required. LVDS requires the use of two pins per input or output. LVDS requires resistor termination.

## BLVDS — Bus LVDS

Allows for bidirectional LVDS communication between two or more devices. The Bus LVDS standard requires external resistor termination.

## LVPECL — Low Voltage Positive Emitter Coupled Logic

Differential I/O standard with voltage swing between two signal lines of approximately 850 mV. The use of a reference voltage ( $V_{REF}$ ) or a board termination voltage ( $V_{TT}$ ) is not required. The LVPECL standard requires external resistor termination.

## LDT — HyperTransport (formerly known as Lightning Data Transport)

A differential high-speed, high-performance I/O interface standard. It is a point-to-point standard requiring a 2.5V  $V_{CCIO}$ , in which each HyperTransport technology bus consists of two point-to-point unidirectional links. Each link is 2 to 32 bits. The HyperTransport technology standard does not require an input reference voltage. However, it does require a 100 $\Omega$  termination resistor between the two signals at the input buffer.

## mini-LVDS

A serial, intra-flat panel solution that serves as an interface between the timing control function and an LCD source driver.

## LVDS Extended — Extended Mode LVDS

Provides a higher drive capability and voltage swing (350 - 750 mV), which makes it ideal for long-distance or cable LVDS links. This LVDS Extended Mode driver is intended for situations that require higher drive capabilities in order to produce an LVDS signal that is within EIA/TIA specification at the receiver.

## RSDS — Reduced Swing Differential Signaling

A signaling standard that defines the output characteristics of a transmitter and inputs of a receiver along with the protocol for a chip-to-chip interface between Flat Panel timing Controllers and Column Drivers.

## TMDS — Transition Minimized Differential Signaling

Technology for transmitting high-speed serial data used by the DVI and HDMI video interfaces. The TMDS standard requires external 50Ω resistor pull-ups to 3.3V on inputs.

## PPDS — Point-to-Point Differential Signaling

Differential next-generation LCD standard for interface to row and column drivers.

## I/O Standard Differences between Spartan-3 Generation Families

The Spartan-3 generation FPGA families all support the common single-ended I/O standards of LVCMOS at 1.2V to 3.3V, LVTTTL, PCI, SSTL at 1.8V and 2.5V, and HSTL at 1.8V. All families also support the common differential I/O standards of LVDS, LVPECL, BLVDS, and RSDS. The primary differences between the families result from the optimization of the drive capability of the I/O transistors to reduce die size and cost. The Spartan-3E family is optimized with smaller transistors and lower drive, while the Extended Spartan-3A family has high drive on banks 1 and 3 and smaller transistors (lower output drive) on banks 0 and 2. The Extended Spartan-3A family also offers the most flexibility for differential standards, but limits differential outputs to banks 0 and 2.

*Table 10-9: I/O Standard Differences between Spartan-3 Generation Families*

| Feature                        | Spartan-3A/3AN/3A DSP FPGAs | Spartan-3E FPGAs | Spartan-3 FPGAs |
|--------------------------------|-----------------------------|------------------|-----------------|
| LVCMOS Drive, Max              | 24 mA, Banks 1/3            | 16 mA            | 24 mA           |
| Differential Outputs           | Banks 0/2                   | All Banks        | All Banks       |
| Differential V <sub>CCO</sub>  | 3.3V or 2.5V                | 2.5V             | 2.5V            |
| LVDS/RSDS Solution             | Excellent                   | Very Good        | Good            |
| Newest Differential Standard   | TMDS/PPDS                   | mini-LVDS        | RSDS            |
| PCI                            | 66 MHz                      | 66 MHz           | 33 MHz          |
| Number of Banks                | 4                           | 4                | 4-8             |
| Digitally Controlled Impedance | No                          | No               | Yes             |

[Table 10-10](#) and [Table 10-11](#) show the available I/O standards for the Spartan-3 generation families.

Table 10-10: Available Single-Ended I/O Standards

| Standard   | V <sub>cco</sub> | Drive/Class | Spartan-3A/3AN/3A DSP FPGAs | Spartan-3E FPGAs | Spartan-3 FPGAs |
|------------|------------------|-------------|-----------------------------|------------------|-----------------|
| LVCMOS     | 1.2V             | 2 mA        | √                           | √                | √               |
|            |                  | up to 6 mA  | Banks 1/3                   |                  | √               |
|            | 1.5V             | up to 6 mA  | √                           | √                | √               |
|            |                  | up to 12 mA | Banks 1/3                   |                  | √               |
|            | 1.8V             | up to 8 mA  | √                           | √                | √               |
|            |                  | up to 16 mA | Banks 1/3                   |                  | √               |
|            | 2.5V             | up to 12 mA | √                           | √                | √               |
|            |                  | up to 24 mA | Banks 1/3                   |                  | √               |
| 3.3V       | up to 16 mA      | √           | √                           | √                |                 |
|            | up to 24 mA      | Banks 1/3   |                             | √                |                 |
| LVTTTL     | 3.3V             | up to 16 mA | √                           | √                | √               |
|            |                  | up to 24 mA | √                           |                  | √               |
| PCI33      | 3.0V             | -           | √                           | √                | √               |
|            | 3.3V             | -           | √                           | √                | √               |
| PCI66      | 3.3V             | -           | √                           | √                |                 |
| SSTL       | 1.8V             | I           | √                           | √                | √               |
|            |                  | II          | √(1)                        |                  | √               |
|            | 2.5V             | I           | √                           | √                | √               |
|            |                  | II          | √(1)                        |                  | √               |
|            | 3.3V             | I           | √                           |                  |                 |
|            |                  | II          | √                           |                  |                 |
| HSTL       | 1.5V             | I           | √(1)                        |                  | √               |
|            |                  | III         | √(1)                        |                  | √               |
|            | 1.8V             | I           | √                           | √                | √               |
|            |                  | II          | √(1)                        |                  | √               |
|            |                  | III         | √                           | √                | √               |
| GTL        | -                | -           |                             |                  | √               |
|            | -                | Plus        |                             |                  | √               |
| DCI option | -                | -           |                             |                  | √               |

**Notes:**

1. Outputs are restricted to banks 1 and 3. Inputs are unrestricted.

Table 10-11: Available Differential I/O Standards

| Standard         | V <sub>CCO</sub> | Spartan-3A/3AN/3A DSP FPGAs | Spartan-3E FPGAs | Spartan-3 FPGAs |
|------------------|------------------|-----------------------------|------------------|-----------------|
| LVDS             | 2.5V             | √ <sup>(1)</sup>            | √                | √               |
|                  | 3.3V             | √ <sup>(1)</sup>            |                  |                 |
| BLVDS            | 2.5V             | √                           | √                | √               |
| MINI_LVDS        | 2.5V             | √ <sup>(1)</sup>            | √                |                 |
|                  | 3.3V             | √ <sup>(1)</sup>            |                  |                 |
| LVPECL           | 2.5V             | √                           | √                | √               |
|                  | 3.3V             | √                           |                  |                 |
| RSDS             | 2.5V             | √ <sup>(1)</sup>            | √                | √               |
|                  | 3.3V             | √ <sup>(1)</sup>            |                  |                 |
| TMDS             | 2.5V             | √                           |                  |                 |
|                  | 3.3V             | √ <sup>(1)</sup>            |                  |                 |
| PPDS             | 2.5V             | √ <sup>(1)</sup>            |                  |                 |
|                  | 3.3V             | √ <sup>(1)</sup>            |                  |                 |
| LDT              | 2.5V             |                             |                  | √               |
| LVDSEXT          | 2.5V             |                             |                  | √               |
| DIFF_SSTL18_I    | 1.8V             | √                           | √                |                 |
| DIFF_SSTL18_II   | 1.8V             | √ <sup>(2)</sup>            |                  |                 |
| DIFF_SSTL2_I     | 2.5V             | √                           | √                |                 |
| DIFF_SSTL2_II    | 2.5V             | √ <sup>(2)</sup>            |                  | √               |
| DIFF_SSTL3_I     | 3.3V             | √                           |                  |                 |
| DIFF_SSTL3_II    | 3.3V             | √                           |                  |                 |
| DIFF_HSTL_I_18   | 1.8V             | √                           | √                |                 |
| DIFF_HSTL_II_18  | 1.8V             | √ <sup>(2)</sup>            |                  | √               |
| DIFF_HSTL_III_18 | 1.8V             | √                           | √                |                 |
| DIFF_TERM        | -                | ~100Ω                       | ~120Ω            |                 |
| DCI Option       | -                |                             |                  | √               |

**Notes:**

1. These differential outputs are restricted to banks 0 and 2. Inputs are unrestricted.
2. These high-drive outputs are restricted to banks 1 and 3. Inputs are unrestricted.

## Specifying an I/O Standard with the IOSTANDARD Attribute

To define the I/O signaling standard in a design, set the IOSTANDARD attribute to the appropriate setting. The IOSTANDARD attribute can be applied to any I/O primitive. For

each I/O primitive, there is a version supporting single-ended IOSTANDARD attributes and a version supporting differential IOSTANDARD attributes.

**Table 10-12: Components for Single-Ended and Differential Standards**

| Component                                                 | Single-Ended IOSTANDARD | Differential IOSTANDARD |
|-----------------------------------------------------------|-------------------------|-------------------------|
| Input                                                     | IBUF                    | IBUFDS                  |
| Clock Input                                               | IBUFG                   | IBUFGDS                 |
| Adjustable Delay<br>(Spartan-3A/3AN/3A DSP<br>FPGAs only) | IBUF_DLY_ADJ            | IBUFDS_DLY_ADJ          |
| Output                                                    | OBUF                    | OBUFDS                  |
| Output Three-State                                        | OBUFT                   | OBUFTDS                 |
| Input DDR                                                 | IDDR2                   |                         |
| Output DDR                                                | ODDR2                   |                         |

Earlier libraries had I/O components with IOSTANDARD already specified as part of the component, such as *IBUF\_LVTTL*. These are not recommended for use in new designs. The preferred method is to use the I/O component IBUF and assign IOSTANDARD = LVTTL.

IOSTANDARD can be attached to a net or signal when the net or signal is connected to a pad. In this case, IOSTANDARD is treated as attached to the IOB primitive. When attached to a design element, IOSTANDARD propagates to all applicable elements in the hierarchy within the design element.

In VHDL, before using IOSTANDARD, it must be declared with the following syntax:

```
attribute iostandard: string;
```

After IOSTANDARD has been declared, specify the VHDL constraint as follows:

```
attribute iostandard of {component_name/label_name}: {component/label}
is "iostandard_name";
```

In Verilog, specify IOSTANDARD as follows:

```
// synthesis attribute iostandard [of] {module_name/instance_name} [is]
iostandard_name;
```

IOSTANDARD can also be specified in a constraints file, which can be created directly or by using the Pin and Area Constraints Editor (PACE) tool. PACE is mainly used to assign location constraints to I/Os. It can also be used to assign certain I/O properties, such as I/O standards, and LVCMOS drive strengths and slew rates. PACE is accessible from the Processes window in the Project Navigator. The PACE tool is opened by selecting:

```
User Constraints > Assign Package Pins
```

The resulting IOSTANDARD syntax in the user constraints file (UCF) is the following:

```
NET "pad_net_name" IOSTANDARD=iostandard_name;
```

IOSTANDARD can also be specified on the I/O component:

```
INST "instance_name" IOSTANDARD=iostandard_name;
```

I/O standards can also be specified in the Floorplan Editor. For more details on all constraints and entry methods, see the Constraints Guide in the software documentation, especially the section on "Entry Strategies for Xilinx Constraints".

## Timing Analysis

The choice of IOSTANDARD affects the timing for the I/O pin. The data sheet provides example timing for the LVCMOS25 I/O standard with Fast slew rate and 12 mA drive. This delay requires adjustment whenever a signal standard other than LVCMOS25 is assigned to an Input or a standard other than LVCMOS25 with 12 mA drive and Fast slew rate is assigned to an Output. The adjustments are automatically included in the Timing Analyzer reports generated by the Xilinx development tools.

When measuring timing parameters at the programmable I/Os, different signal standards call for different test conditions. The data sheets list the conditions to use for each standard.

The method for measuring Input timing is as follows: a signal that swings between a Low logic level of  $V_L$  and a High logic level of  $V_H$  is applied to the Input under test. Some standards also require the application of a bias voltage to the  $V_{REF}$  pins of a given bank to properly set the input-switching threshold. The measurement point of the Input signal ( $V_M$ ) is commonly located halfway between  $V_L$  and  $V_H$ .

For the Output test setup, one end of the termination resistor  $R_T$  is connected to a termination voltage  $V_T$  and the other end is connected to the Output. For each standard,  $R_T$  and  $V_T$  generally take on the standard values recommended for minimizing signal reflections. If the standard does not ordinarily use terminations (for example, LVCMOS, LVTTTL), then  $R_T$  is set to  $1M\Omega$  to indicate an open connection, and  $V_T$  is set to zero. The same measurement point ( $V_M$ ) that was used at the Input is also used at the Output.

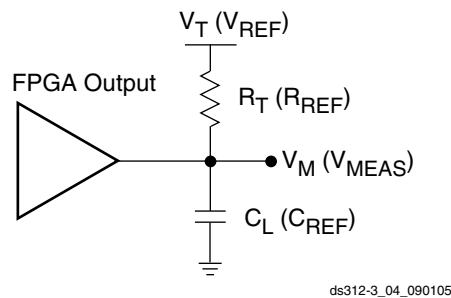


Figure 10-20: Output Test Setup

The capacitive load ( $C_L$ ) is connected between the output and GND. The Output timing for all standards, as published in the speed files and the data sheet, is always based on a  $C_L$  value of zero. High-impedance probes (less than 1 pF) are used for all measurements. Any delay that the test fixture might contribute to test measurements is subtracted from those measurements to produce the final timing numbers as published in the speed files and data sheet.

### Using IBIS Models to Simulate Load Conditions in Application

IBIS models permit the most accurate prediction of timing delays for a given application. The parameters found in the IBIS model ( $V_{REF}$ ,  $R_{REF}$ , and  $V_{MEAS}$ ) correspond directly with the parameters found in the data sheet ( $V_T$ ,  $R_T$ , and  $V_M$ ). Do not confuse  $V_{REF}$  (the termination voltage) from the IBIS model with  $V_{REF}$  (the input-switching threshold) from the table. A fourth parameter,  $C_{REF}$  is always zero. The four parameters describe all relevant output test conditions. IBIS models are found in the Xilinx development software as well as at the following link:

<http://www.xilinx.com/support/download/index.htm>



Delays for a given application are simulated according to its specific load conditions as follows:

1. Simulate the desired signal standard with the output driver connected to the test setup shown in the data sheet. Use parameter values  $V_T$ ,  $R_T$ , and  $V_M$  from the data sheet;  $C_{REF}$  is zero.
2. Record the time to  $V_M$ .
3. Simulate the same signal standard with the output driver connected to the PCB trace with load. Use the appropriate IBIS model (including  $V_{REF}$ ,  $R_{REF}$ ,  $C_{REF}$ , and  $V_{MEAS}$  values) or capacitive value to represent the load.
4. Record the time to  $V_{MEAS}$ .
5. Compare the results of steps 2 and 4. Add (or subtract) the increase (or decrease) in delay to (or from) the appropriate Output standard adjustment to yield the worst-case delay of the PCB trace.

## LVCMOS/LVTTL Slew Rate Control and Drive Strength

Each IOB has a slew-rate control that sets the output switching edge rate for LVCMOS and LVTTL outputs. The SLEW attribute controls the slew rate and can be set to SLOW (default), FAST, or QUIETIO (Spartan-3A/3AN/3A DSP devices only; slowest slew rate). The slowest slew rate setting provides the lowest noise and power consumption, while the faster slew rate settings improve timing.

Each LVCMOS and LVTTL output additionally supports up to seven different drive current strengths as shown in Table 10-13 and Table 10-14. To adjust the drive strength for each output, the DRIVE attribute is set to the desired drive strength: 2, 4, 6, 8, 12, 16, and 24. Unless otherwise specified in the FPGA application, the software default IOSTANDARD is LVCMOS25, SLOW slew rate, and 12 mA output drive.

Each method of specifying IOSTANDARD (schematic, HDL, constraints file, PACE, Floorplan Editor) also supports specification of the LVCMOS/LVTTL DRIVE and SLEW options.

**Table 10-13: Spartan-3A/3AN/3A DSP Programmable Output Drive Current**

| IOSTANDARD | Output Drive Current (mA) |           |           |           |           |           |           |
|------------|---------------------------|-----------|-----------|-----------|-----------|-----------|-----------|
|            | 2                         | 4         | 6         | 8         | 12        | 16        | 24        |
| LVTTL      | ✓                         | ✓         | ✓         | ✓         | ✓         | ✓         | ✓         |
| LVCMOS33   | ✓                         | ✓         | ✓         | ✓         | ✓         | ✓         | Banks 1,3 |
| LVCMOS25   | ✓                         | ✓         | ✓         | ✓         | ✓         | Banks 1,3 | Banks 1,3 |
| LVCMOS18   | ✓                         | ✓         | ✓         | ✓         | Banks 1,3 | Banks 1,3 |           |
| LVCMOS15   | ✓                         | ✓         | ✓         | Banks 1,3 | Banks 1,3 | -         |           |
| LVCMOS12   | ✓                         | Banks 1,3 | Banks 1,3 | -         | -         | -         |           |

Table 10-14: Spartan-3E Programmable Output Drive Current

| IOSTANDARD | Output Drive Current (mA) |   |   |   |    |    |
|------------|---------------------------|---|---|---|----|----|
|            | 2                         | 4 | 6 | 8 | 12 | 16 |
| LVTTL      | ✓                         | ✓ | ✓ | ✓ | ✓  | ✓  |
| LVCMOS33   | ✓                         | ✓ | ✓ | ✓ | ✓  | ✓  |
| LVCMOS25   | ✓                         | ✓ | ✓ | ✓ | ✓  | -  |
| LVCMOS18   | ✓                         | ✓ | ✓ | ✓ | -  | -  |
| LVCMOS15   | ✓                         | ✓ | ✓ | - | -  | -  |
| LVCMOS12   | ✓                         | - | - | - | -  | -  |

Table 10-15: Spartan-3 Programmable Output Drive Current

| IOSTANDARD | Output Drive Current (mA) |   |   |   |    |    |    |
|------------|---------------------------|---|---|---|----|----|----|
|            | 2                         | 4 | 6 | 8 | 12 | 16 | 24 |
| LVTTL      | ✓                         | ✓ | ✓ | ✓ | ✓  | ✓  | ✓  |
| LVCMOS33   | ✓                         | ✓ | ✓ | ✓ | ✓  | ✓  | ✓  |
| LVCMOS25   | ✓                         | ✓ | ✓ | ✓ | ✓  | ✓  | ✓  |
| LVCMOS18   | ✓                         | ✓ | ✓ | ✓ | ✓  | ✓  | -  |
| LVCMOS15   | ✓                         | ✓ | ✓ | ✓ | ✓  | -  | -  |
| LVCMOS12   | ✓                         | ✓ | ✓ | - | -  | -  | -  |

High output current drive strength and FAST output slew rates generally result in fastest I/O performance. However, these same settings can also result in transmission line effects on the PCB for all but the shortest board traces. Each IOB has independent slew rate and drive strength controls. Use the slowest slew rate and lowest output drive current that meets the performance requirements for the end application. Note that in the Extended Spartan-3A family, the 16 mA drive setting is faster than the 24 mA drive setting for the slow slew rate. If 24 mA drive and the highest performance is needed, use the fast slew rate instead.

LVCMOS25/33 and LVTTL standards have about 100 mV of hysteresis on inputs.

## Simultaneously Switching Outputs

Likewise, due to lead inductance, a given package supports a limited number of simultaneous switching outputs (SSOs) when using fast, high-drive outputs. Only use fast, high-drive outputs when required by the application.

Module 3 of each family's data sheet provides guidelines for the recommended maximum allowable number of SSOs. These guidelines describe the maximum number of user I/O pins of a given output signal standard that should simultaneously switch in the same direction, while maintaining a safe level of switching noise. Meeting these guidelines for the stated test conditions ensures that the FPGA operates free from the adverse effects of ground and power bounce.

Ground or power bounce occurs when a large number of outputs simultaneously switch in the same direction. The output drive transistors all conduct current to a common voltage rail. Low-to-High transitions conduct to the  $V_{CCO}$  rail; High-to-Low transitions conduct to the GND rail. The resulting cumulative current transient induces a voltage difference across the inductance that exists between the die pad and the power supply or ground return. The inductance is associated with bonding wires, the package lead frame, and any other signal routing inside the package. Other variables contribute to SSO noise levels, including stray inductance on the PCB as well as capacitive loading at receivers. Any SSO-induced voltage consequently affects internal switching noise margins and ultimately signal quality.

For each device/package combination, the data sheet provides the number of equivalent  $V_{CCO}$ /GND pairs. For each output signal standard and drive strength, the data sheet recommends the maximum number of SSOs, switching in the same direction, allowed per  $V_{CCO}$ /GND pair within an I/O bank. The guidelines are categorized by package style, slew rate, and output drive current. Furthermore, the number of SSOs is specified by I/O bank. Multiply the appropriate numbers from each table to calculate the maximum number of SSOs allowed within an I/O bank. Exceeding these SSO guidelines might result in increased power or ground bounce, degraded signal integrity, or increased system jitter.

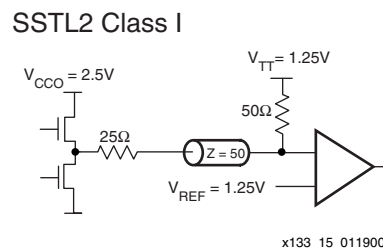
The recommended maximum SSO values assumes that the FPGA is soldered on the printed circuit board and that the board uses sound design practices. The SSO values do not apply for FPGAs mounted in sockets, due to the lead inductance introduced by the socket.

The number of SSOs allowed for quad-flat packages (TQ) is lower than for ball grid array packages (BG) due to the larger lead inductance of the quad-flat packages. Ball grid array packages are recommended for applications with a large number of simultaneously switching outputs.

SSO effects can be minimized by adding virtual ground pins. A virtual ground is created by defining an output pin driven by a logic 0. See [“Optionally Place Virtual Ground Pins Around DCM Input and Output Connections”](#) in Chapter 3

## HSTL/SSTL $V_{REF}$ Reference Voltage

HSTL and SSTL inputs use the reference voltage ( $V_{REF}$ ) to bias the input-switching threshold, as shown in [Figure 10-21](#). Each input also has an associated board termination voltage, called  $V_{TT}$ .



**Figure 10-21: Example Terminated SSTL2 Class I**

Once a configuration data file is loaded into the FPGA that calls for the inputs of a given bank to use HSTL/SSTL, a few specifically reserved I/O pins on the same bank automatically convert to  $V_{REF}$  inputs. All the  $V_{REF}$  inputs on a bank need to be connected, and all need to connect to the same voltage. As a result, HSTL and SSTL inputs can only be combined in a bank if they use the same  $V_{REF}$  voltage (for example, the 1.8V versions of the

SSTL and HSTL standards, where  $V_{REF} = 0.9V$ .) For banks that do not contain HSTL or SSTL,  $V_{REF}$  pins remain available for user I/Os or input pins.

$V_{REF}$  is also required for inputs using the GTL and GTLP I/O standards, which are supported only in the Spartan-3 family. LVTTTL and LVCMOS standards do not require  $V_{REF}$ . The only differential standards that require  $V_{REF}$  are the differential forms of the HSTL and SSTL I/O standards (DIFF\_HSTL and DIFF\_SSTL).

Table 10-16:  $V_{REF}$  Values for IOSTANDARD Settings

| IOSTANDARD  | $V_{REF}$ | $V_{TT}$ |
|-------------|-----------|----------|
| HSTL_I_18   | 0.9       | 0.9      |
| HSTL_II_18  | 0.9       | 0.9      |
| HSTL_III_18 | 1.1       | 1.8      |
| HSTL_I      | 0.75      | 0.75     |
| HSTL_III    | 0.9       | 1.5      |
| SSTL18_I    | 0.9       | 0.9      |
| SSTL18_II   | 0.9       | 0.9      |
| SSTL2_I     | 1.25      | 1.25     |
| SSTL2_II    | 1.25      | 1.25     |
| SSTL3_I     | 1.5       | 1.5      |
| SSTL3_II    | 1.5       | 1.5      |
| GTL         | 0.8       | 1.2      |
| GTLP        | 1.0       | 1.5      |

## Single-Ended I/O Termination Techniques

The delay of an electrical signal along a wire is dominated by the rise and fall times when the signal travels a short distance. Transmission line delays vary with inductance and capacitance, but a well-designed board can experience delays of approximately 180 ps per inch.

Transmission line effects, or reflections, typically start at 1.5 inches for fast (1.5 ns) rise and fall times. Poor (or non-existent) termination or changes in the transmission line impedance cause these reflections and can cause additional delay in longer traces. As system speeds continue to increase, the effect of I/O delays can become a limiting factor, and therefore transmission line termination becomes increasingly more important.

A variety of termination techniques reduce the impact of transmission line effects. Output termination techniques include the following:

- None
- Series
- Parallel (Shunt)
- Series and Parallel (Series-Shunt)

Input termination techniques include the following:

- None

- Parallel (Shunt)

These termination techniques can be applied in any combination. A generic example of each combination of termination methods appears in [Figure 10-22, page 345](#).

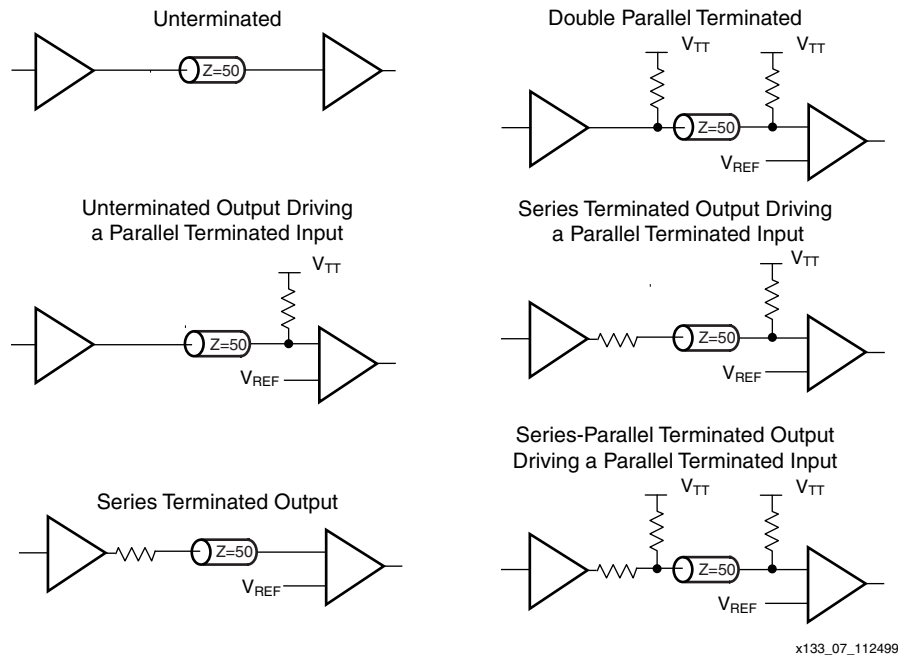


Figure 10-22: Overview of Standard Input and Output Termination Methods

Sample circuits illustrating valid termination techniques for several HSTL and SSTL standards appear in [Figure 10-23](#) through [Figure 10-29](#). LVTTTL, LVCMOS, and PCI standards require no termination. For GTL or DCI termination in the Spartan-3 family, see the Spartan-3 data sheet at [DS099](#).

**HSTL Class I**

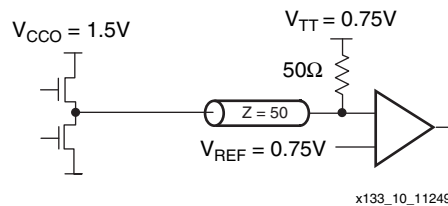


Figure 10-23: Terminated HSTL Class I

**HSTL Class III**

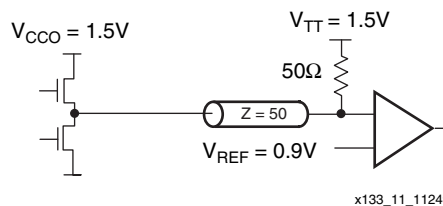


Figure 10-24: Terminated HSTL Class III

### HSTL Class IV

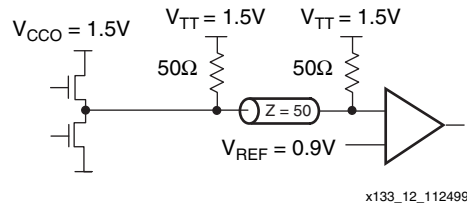


Figure 10-25: Terminated HSTL Class IV

### SSTL3 Class I

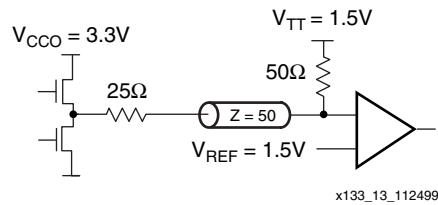


Figure 10-26: Terminated SSTL3 Class I

### SSTL3 Class II

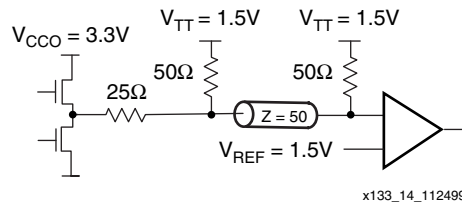


Figure 10-27: Terminated SSTL3 Class II

### SSTL2 Class I

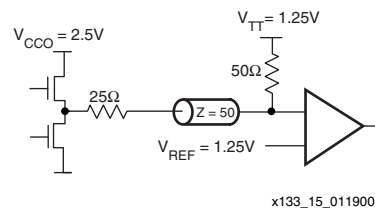


Figure 10-28: Terminated SSTL2 Class I

### SSTL2 Class II

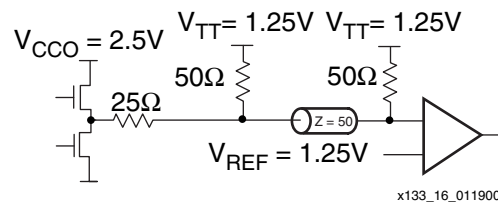


Figure 10-29: Terminated SSTL2 Class II

## Differential I/O Standards

Differential standards employ a pair of signals, one the opposite polarity of the other. The noise canceling properties (for example, Common-Mode Rejection) of these standards permit exceptionally high data transfer rates. This subsection introduces the differential signaling capabilities of Spartan-3 generation devices.

Each device-package combination designates specific I/O pairs specially optimized to support differential standards. Differential pairs can be shown in the PACE tool with the “Show Differential Pairs” option. A unique *L-number*, part of the pin name, identifies the line pairs associated with each bank. For each pair, the letters *P* and *N* designate the true and inverted lines, respectively. For example, the pin names IO\_L43P\_3 and IO\_L43N\_3 indicate the true and inverted lines comprising the line pair L43 on Bank 3.

Each family offers a different combination of differential I/O standards and specifications. The Extended Spartan-3A family offers the largest number of differential standards and also offers the best differential signaling characteristics.

### On-Chip Differential Termination

Extended Spartan-3A family and Spartan-3E devices provide an on-chip differential termination across the input differential receiver terminals. The on-chip input differential termination potentially eliminates the external 100Ω termination resistor commonly found in differential receiver circuits (see Figure 10-30). Differential termination is used for LVDS, mini-LVDS, and RSDS as applications permit. On-chip differential termination is not supported on input-only pins.

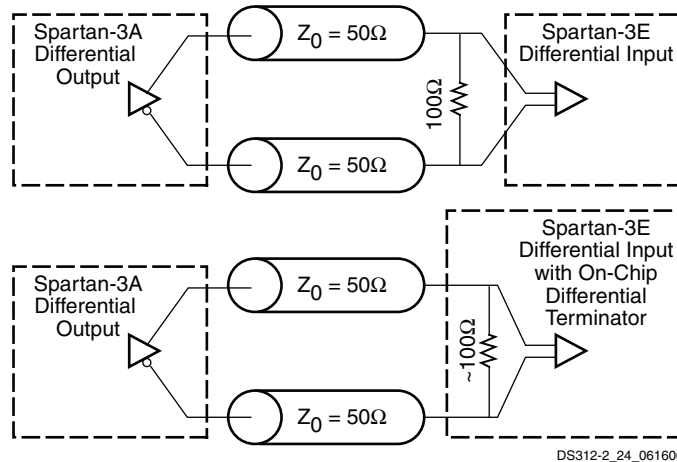


Figure 10-30: Differential Inputs and Outputs

The on-chip differential termination is powered by  $V_{CC0}$ . Therefore, the  $V_{CC0}$  level in a bank must match the voltage standard for any input using differential termination. In the Extended Spartan-3A family, on-chip differential termination is specified at 100Ω nominal in banks with  $V_{CC0} = 3.3V$ . The on-chip differentiation termination can be used in banks powered by  $V_{CC0} = 2.5V$ , but a wider resistance range is specified. See Module 3 of [DS529](#), *Spartan-3A FPGA Family Data Sheet* for specific values. Figure 10-31 shows the details of using the differential termination in the Extended Spartan-3A family.

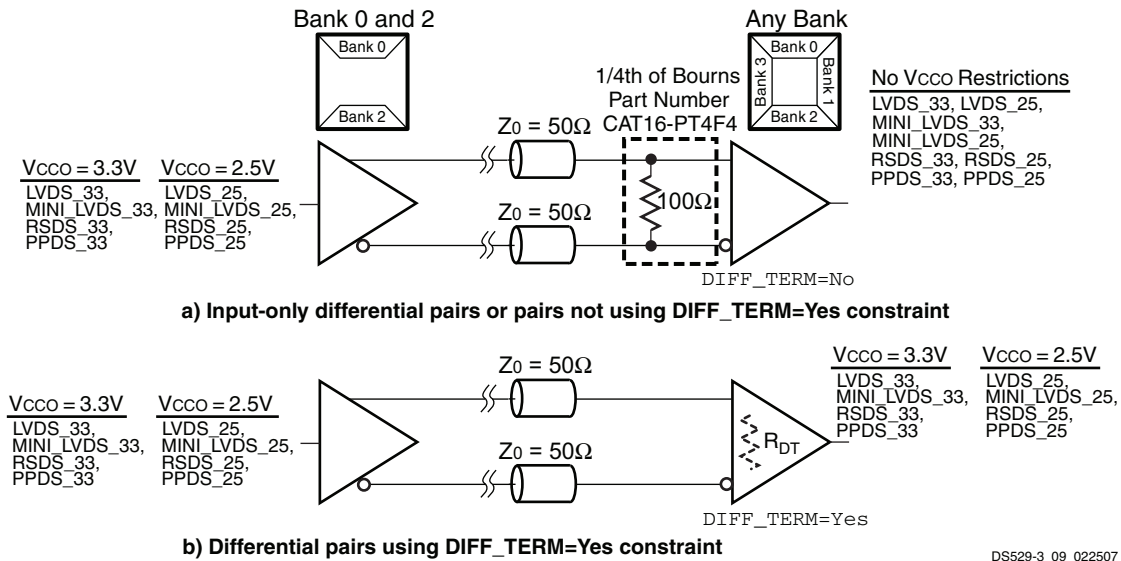


Figure 10-31: External Input Termination Resistors for Spartan-3A/3AN/3A DSP LVDS, RSDS, MINI\_LVDS, and PPDS I/O Standards

In the Spartan-3E family, on-chip differential termination is only supported on banks with  $V_{CCO} = 2.5V$ , and is specified at  $120\Omega$  nominal (see Module 3 of [DS312](#), *Spartan-3E FPGA Family Data Sheet*).

The DIFF\_TERM attribute is set to TRUE to enable differential termination on a differential I/O pin pair. This attribute uses the following syntax in the UCF:

```
INST <I/O_BUFFER_INSTANTIATION_NAME> DIFF_TERM = "<TRUE/FALSE>" ;
```

### TMDS\_33 Termination

The Extended Spartan-3A family TMDS\_33 standard requires pull-up resistors as shown in [Figure 10-32](#).

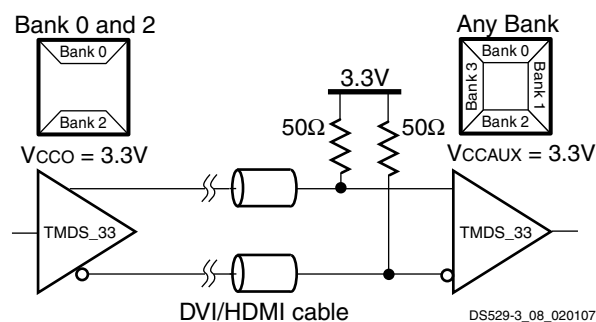


Figure 10-32: External Input Resistors Required for TMDS\_33 I/O Standard



### BLVDS Output Termination

BLVDS outputs require external termination as shown in [Figure 10-33](#).

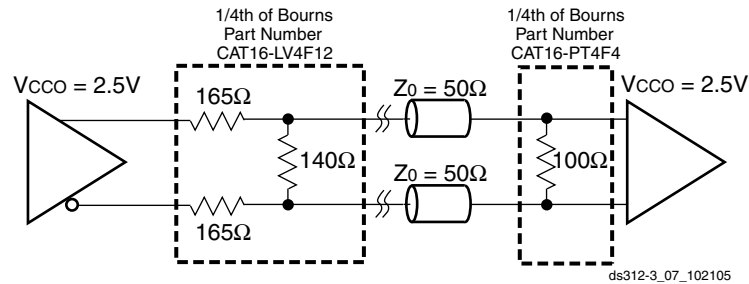


Figure 10-33: External Output and Input Termination Resistors for BLVDS I/Os

In the Extended Spartan-3A family, the BLVDS outputs are allowed on any bank, and there is no  $V_{CCO}$  restriction on inputs, as shown in [Figure 10-34](#).

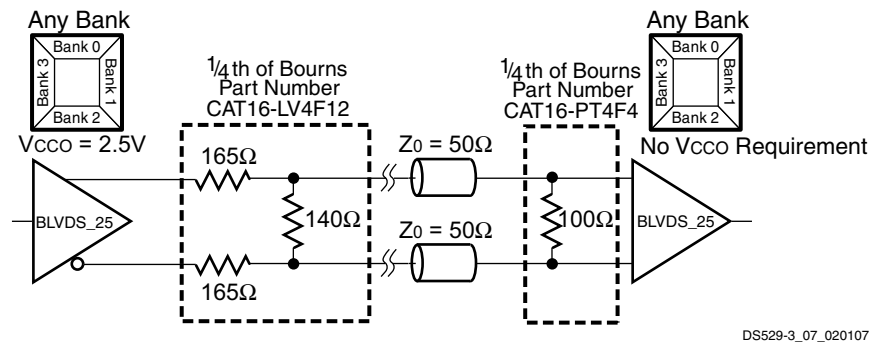


Figure 10-34: Spartan-3A/3AN/3A DSP External Output and Input Termination Resistors for BLVDS I/Os

### DCI Digitally Controlled Impedance

In the Spartan-3 family, many standards support the Digitally Controlled Impedance (DCI) feature, which uses integrated terminations to eliminate unwanted signal reflections. This feature is also known as XCITE technology. DCI provides two kinds of on-chip terminations. *Parallel terminations* make use of an integrated resistor network. *Series terminations* result from controlling the impedance of output drivers.

DCI is available only by selecting certain IOSTANDARD options, as listed in the Spartan-3 data sheet. The DCI feature operates independently for each of the device's eight banks. Each bank has an 'N' reference pin (VRN) and a 'P' reference pin (VRP) to calibrate driver and termination resistance. Only when using certain DCI standards on a given bank do these two pins function as VRN and VRP. When not using a DCI standard that requires them, the two pins function as user I/Os. Add an external reference resistor to pull the VRN pin up to  $V_{CCO}$  and another reference resistor to pull the VRP pin down to GND.

For more details on DCI, see [DS099](#), *Spartan-3 FPGA Family Data Sheet*.

## Supply Voltages for the IOBs

The IOBs are powered by three supplies:

1. The  $V_{CCO}$  supplies, one for each of the FPGA's I/O banks, power the output drivers. The voltage on the  $V_{CCO}$  pins determines the voltage swing of the output signal. All  $V_{CCO}$  pins should be connected. If a bank is unused,  $V_{CCO}$  pins should be connected to an available  $V_{CCAUX}$  or  $V_{CCO}$  rail.
2.  $V_{CCINT}$  is the main power supply for the FPGA's internal logic.
3.  $V_{CCAUX}$  is an auxiliary source of power, primarily to optimize the performance of various FPGA functions, such as the DCM, differential signals including LVPECL\_33 and TMDS\_33 inputs, and some single-ended input signals, such as LVCMOS25 and LVCMOS33 inputs.

### Spartan-3A and Spartan-3A DSP FPGA Dual-Range $V_{CCAUX}$

The Spartan-3A and Spartan-3A DSP FPGAs in the Extended Spartan-3A family allow  $V_{CCAUX}$  to be either 2.5V or 3.3V. The option provides greater flexibility to the user, and allows  $V_{CCAUX}$  to be set to the same level as an existing  $V_{CCO}$  rail to minimize the number of power rails. The user must set the CONFIG VCCAUX constraint to either 2.5 or 3.3 according to the voltage being provided to the  $V_{CCAUX}$  rails. The CONFIG VCCAUX constraint is used by the ISE software to determine if LVCMOS25 inputs can be powered by  $V_{CCAUX}$ . If CONFIG VCCAUX = 2.5,  $V_{CCAUX}$  is used to power LVCMOS25 inputs. If CONFIG VCCAUX = 3.3,  $V_{CCO}$  must be 2.5V for any banks with LVCMOS25 inputs. The Spartan-3AN platform requires that  $V_{CCAUX}$  be set to 3.3V for the In-System Flash memory.

### ESD Protection

Protection circuitry on all Spartan-3 generation I/Os protects all device pads against damage from electro-static discharge (ESD) as well as excessive voltage transients. ESD protection specifications are typically  $\pm 2000V$  for the Human Body Model. Details are provided in Module 3 of each family's data sheet.

In the Extended Spartan-3A family, this protection circuitry does not limit I/O voltage range.

In the Spartan-3E and Spartan-3 families, clamp diodes protect all device pads against damage from both ESD as well as excessive voltage transients. Each I/O has two clamp diodes: one diode extends P-to-N from the pad to  $V_{CCO}$ , and a second diode extends N-to-P from the pad to GND. During operation, these diodes are normally biased in the off state. These clamp diodes are always connected to the pad, regardless of the signal standard selected. The presence of diodes limits the ability of Spartan-3/3E I/Os to tolerate high signal voltages. The  $V_{IN}$  absolute maximum rating in Module 3 of each data sheet specifies the voltage range that I/Os can tolerate. Input voltages outside the  $V_{IN}$  max voltage range are permissible provided that the  $I_{IK}$  input diode clamp diode rating is met and no more than 100 pins exceed the range simultaneously.

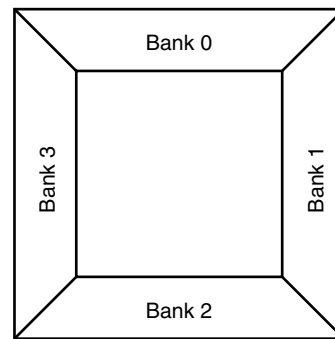
The Spartan-3A/3AN/3A DSP FPGA families have clamp diodes only after configuring the I/Os to the PCI33 or PCI66 I/O standards.

### IOBs Organized into Banks

Spartan-3 generation FPGAs allow multiple I/O standards to be combined in the same device. Although the outputs are always powered by  $V_{CCO}$ , multiple standards are

available under one of the five possible  $V_{CCO}$  values. In addition, inputs often do not need to match the voltage applied to  $V_{CCO}$ .

Further flexibility is achieved by offering multiple  $V_{CCO}$  levels in a single device. The  $V_{CCO}$  power rails are provided independently each bank of I/Os, or side of the device. Most Spartan-3 generation devices organize IOBs into four I/O banks as shown in [Figure 10-35](#). Each bank maintains separate  $V_{CCO}$  and  $V_{REF}$  supplies. The separate supplies allow each bank to independently set  $V_{CCO}$  (which provides current to the outputs and additionally powers the on-chip differential termination) and  $V_{REF}$  (which supplies the reference voltage for HSTL and SSTL). Refer to [Table 10-17](#) through [Table 10-19](#) for  $V_{CCO}$  and  $V_{REF}$  requirements. Most members of the Spartan-3 family have eight I/O banks—see [DS099](#), *Spartan-3 FPGA Family Data Sheet* for more details.



DS312-2\_26\_021205

**Figure 10-35: Spartan-3 Generation I/O Banks (top view)**

The design implementation tools automatically assign pins to separate banks when necessary to meet  $V_{CCO}$  or  $V_{REF}$  requirements. The user can also assign pins using any of the floorplanning tools available, including the Pinout and Area Constraints Editor (PACE). PACE shows the bank associations for each pin, even when viewed in the BGA ball grid pattern. In the pinout, bank numbers are specified for each I/O pin on the device. For example, IO\_L18P\_0 is a part of differential pair L18 on bank 0.

### Single-Ended I/O Standard Bank Compatibility

For a particular  $V_{CCO}$  voltage, [Table 10-17](#) through [Table 10-19](#) list all of the single-ended IOSTANDARDS that can be combined, and if IOSTANDARD is supported only for inputs or can be used for both inputs and outputs.

**Table 10-17: Spartan-3A/3AN/3A DSP Single-Ended IOSTANDARD Bank Compatibility**

| Single-Ended IOSTANDARD | $V_{CCO}$ Supply/Compatibility |                      |                      |              |                      | Input Requirements |                                        |
|-------------------------|--------------------------------|----------------------|----------------------|--------------|----------------------|--------------------|----------------------------------------|
|                         | 1.2V                           | 1.5V                 | 1.8V                 | 2.5V         | 3.3V                 | $V_{REF}$          | Board Termination Voltage ( $V_{TT}$ ) |
| LVTTTL                  | Input                          | Input                | Input                | Input        | Input/Output         | N/R <sup>(1)</sup> | N/R                                    |
| LVC MOS33               | Input                          | Input                | Input                | Input        | Input/Output         | N/R                | N/R                                    |
| LVC MOS25               | Input <sup>(2)</sup>           | Input <sup>(2)</sup> | Input <sup>(2)</sup> | Input/Output | Input <sup>(2)</sup> | N/R                | N/R                                    |

Table 10-17: Spartan-3A/3AN/3A DSP Single-Ended IOSTANDARD Bank Compatibility (Continued)

| Single-Ended IOSTANDARD | V <sub>CCO</sub> Supply/Compatibility |              |              |              |              | Input Requirements |                                              |
|-------------------------|---------------------------------------|--------------|--------------|--------------|--------------|--------------------|----------------------------------------------|
|                         | 1.2V                                  | 1.5V         | 1.8V         | 2.5V         | 3.3V         | V <sub>REF</sub>   | Board Termination Voltage (V <sub>TT</sub> ) |
| LVC MOS18               | Input                                 | Input        | Input/Output | Input        | Input        | N/R                | N/R                                          |
| LVC MOS15               | Input                                 | Input/Output | Input        | Input        | Input        | N/R                | N/R                                          |
| LVC MOS12               | Input/Output                          | Input        | Input        | Input        | Input        | N/R                | N/R                                          |
| PCI33_3                 | Input                                 | Input        | Input        | Input        | Input/Output | N/R                | N/R                                          |
| PCI66_3                 | Input                                 | Input        | Input        | Input        | Input/Output | N/R                | N/R                                          |
| HSTL_I_18               | Input                                 | Input        | Input/Output | Input        | Input        | 0.9                | 0.9                                          |
| HSTL_II_18              | Input                                 | Input        | Input/Output | Input        | Input        | 0.9                | 0.9                                          |
| HSTL_III_18             | Input                                 | Input        | Input/Output | Input        | Input        | 1.1                | 1.8                                          |
| HSTL_I                  | Input                                 | Input/Output | Input        | Input        | Input        | 0.75               | 0.75                                         |
| HSTL_III                | Input                                 | Input/Output | Input        | Input        | Input        | 0.9                | 1.5                                          |
| SSTL18_I                | Input                                 | Input        | Input/Output | Input        | Input        | 0.9                | 0.9                                          |
| SSTL18_II               | Input                                 | Input        | Input/Output | Input        | Input        | 0.9                | 0.9                                          |
| SSTL2_I                 | Input                                 | Input        | Input        | Input/Output | Input        | 1.25               | 1.25                                         |
| SSTL2_II                | Input                                 | Input        | Input        | Input/Output | Input        | 1.25               | 1.25                                         |
| SSTL3_I                 | Input                                 | Input        | Input        | Input        | Input/Output | 1.5                | 1.5                                          |
| SSTL3_II                | Input                                 | Input        | Input        | Input        | Input/Output | 1.5                | 1.5                                          |

**Notes:**

1. N/R - Not required for input operation.
2. To use LVC MOS25 inputs when V<sub>CCO</sub> is not 2.5V, V<sub>CCAUX</sub> must be set to 2.5V.

Table 10-18: Spartan-3E Single-Ended IOSTANDARD Bank Compatibility

| Single-Ended IOSTANDARD | V <sub>CCO</sub> Supply/Compatibility |              |              |              |              | Input Requirements |                                              |
|-------------------------|---------------------------------------|--------------|--------------|--------------|--------------|--------------------|----------------------------------------------|
|                         | 1.2V                                  | 1.5V         | 1.8V         | 2.5V         | 3.3V         | V <sub>REF</sub>   | Board Termination Voltage (V <sub>TT</sub> ) |
| LVTTTL                  | -                                     | -            | -            | -            | Input/Output | N/R <sup>(1)</sup> | N/R                                          |
| LVC MOS33               | -                                     | -            | -            | -            | Input/Output | N/R                | N/R                                          |
| LVC MOS25               | -                                     | -            | -            | Input/Output | Input        | N/R                | N/R                                          |
| LVC MOS18               | -                                     | -            | Input/Output | Input        | Input        | N/R                | N/R                                          |
| LVC MOS15               | -                                     | Input/Output | Input        | Input        | Input        | N/R                | N/R                                          |
| LVC MOS12               | Input/Output                          | Input        | Input        | Input        | Input        | N/R                | N/R                                          |
| PCI33_3                 | -                                     | -            | -            | -            | Input/Output | N/R                | N/R                                          |
| PCI66_3                 | -                                     | -            | -            | -            | Input/Output | N/R                | N/R                                          |
| HSTL_I_18               | -                                     | -            | Input/Output | Input        | Input        | 0.9                | 0.9                                          |
| HSTL_III_18             | -                                     | -            | Input/Output | Input        | Input        | 1.1                | 1.8                                          |
| SSTL18_I                | -                                     | -            | Input/Output | Input        | Input        | 0.9                | 0.9                                          |
| SSTL2_I                 | -                                     | -            | -            | Input/Output | Input        | 1.25               | 1.25                                         |

**Notes:**

1. N/R - Not required for input operation.

Table 10-19: Spartan-3 Single-Ended IOSTANDARD Bank Compatibility

| Single-Ended IOSTANDARD | V <sub>CCO</sub> Supply/Compatibility |              |              |              |              | Input Requirements              |                                              |
|-------------------------|---------------------------------------|--------------|--------------|--------------|--------------|---------------------------------|----------------------------------------------|
|                         | 1.2V                                  | 1.5V         | 1.8V         | 2.5V         | 3.3V         | V <sub>REF</sub> <sup>(1)</sup> | Board Termination Voltage (V <sub>TT</sub> ) |
| LVTTL                   | -                                     | -            | -            | -            | Input/Output | N/R <sup>(2)</sup>              | N/R                                          |
| LVCNOS33                | -                                     | -            | -            | -            | Input/Output | N/R                             | N/R                                          |
| LVCNOS25                | -                                     | -            | -            | Input/Output | -            | N/R                             | N/R                                          |
| LVCNOS18                | -                                     | -            | Input/Output | -            | -            | N/R                             | N/R                                          |
| LVCNOS15                | -                                     | Input/Output | -            | -            | -            | N/R                             | N/R                                          |
| LVCNOS12                | Input/Output                          | -            | -            | -            | -            | N/R                             | N/R                                          |
| PCI33_3                 | -                                     | -            | -            | -            | Input/Output | N/R                             | N/R                                          |
| HSTL_I_18               | -                                     | -            | Input/Output | Input        | Input        | 0.9                             | 0.9                                          |
| HSTL_II_18              | -                                     | -            | Input/Output | Input        | Input        | 0.9                             | 0.9                                          |
| HSTL_III_18             | -                                     | -            | Input/Output | Input        | Input        | 1.1                             | 1.8                                          |
| HSTL_I                  | -                                     | Input/Output | Input        | Input        | Input        | 0.75                            | 0.75                                         |
| HSTL_III                | -                                     | Input/Output | Input        | Input        | Input        | 0.9                             | 1.5                                          |
| SSTL18_I                | -                                     | -            | Input/Output | Input        | Input        | 0.9                             | 0.9                                          |
| SSTL18_II               | -                                     | -            | Input/Output | Input        | Input        | 0.9                             | 0.9                                          |
| SSTL2_I                 | -                                     | -            | -            | Input/Output | Input        | 1.25                            | 1.25                                         |
| SSTL2_II                | -                                     | -            | -            | Input/Output | Input        | 1.25                            | 1.25                                         |
| GTL                     | Note 2                                |              |              |              |              | 0.8                             | 1.2                                          |
| GTLP                    | -                                     | Note 2       |              |              |              | 1.0                             | 1.5                                          |

**Notes:**

1. Banks 4 and 5 of any Spartan-3 device in a VQ100 package do not support signal standards using V<sub>REF</sub>.
2. The V<sub>CCO</sub> level used for the GTL and GTLP standards must be no lower than the termination voltage (V<sub>TT</sub>), nor can it be lower than the voltage at the I/O pad.

## Differential I/O Standard Bank Compatibility

Most of the differential I/O standards are compatible and can be combined within any given bank. In the Extended Spartan-3A family, banks 0 and 2 can each support any two of the following 2.5V differential standards:

- LVDS\_25 outputs
- MINI\_LVDS\_25 outputs
- RSDS\_25 outputs
- PPDS\_25 outputs

Extended Spartan-3A family banks 0 and 2 alternatively support any two of the following 3.3V differential outputs:

- LVDS\_33 outputs
- MINI\_LVDS\_33 outputs
- RSDS\_33 outputs
- PPDS\_33 outputs
- TMDS\_33 outputs

### Maximizing Availability of Differential Pins in Extended Spartan-3A Family

In the Extended Spartan-3A family, differential outputs are limited to two of the four banks. If a large number of differential signals are needed, put differential inputs on banks 1 and 3, freeing up banks 0 and 2 for differential outputs and I/O. A larger device or larger package will further increase the available differential I/O. Note that the pseudo-differential standards (BLVDS\_25 and Differential SSTL/HSTL) do not have this bank restriction. BLVDS\_25 could be considered as an alternative to LVDS\_25. The advantage is that BLVDS\_25 allows outputs in banks 1 and 3, but the disadvantage is that it requires external resistors.

In the Spartan-3E family, each bank can support any two of the following differential standards:

- LVDS\_25 outputs
- MINI\_LVDS\_25 outputs
- RSDS\_25 outputs

As an example, LVDS\_25 outputs, RSDS\_25 outputs, and any other differential inputs while using on-chip differential termination are a valid combination. A combination not allowed is a single bank with LVDS\_25 outputs, RSDS\_25 outputs, and MINI\_LVDS\_25 outputs.

Table 10-20: Spartan-3A/3AN/3A DSP Differential IOSTANDARD Bank Compatibility

| Differential IOSTANDARD | I/O Type             | V <sub>CCAUX</sub> <sup>(3)</sup> | V <sub>CCO</sub> | Differential Pad Type |     | Differential Bank Restriction <sup>(1)</sup> |
|-------------------------|----------------------|-----------------------------------|------------------|-----------------------|-----|----------------------------------------------|
|                         |                      |                                   |                  | IP                    | IO  |                                              |
| BLVDS_25                | Input                | 2.5/3.3                           | Any              | Yes                   | Yes | No                                           |
|                         | Input with DIFF_TERM | Not available                     |                  |                       |     | No                                           |
|                         | Output               | 2.5/3.3                           | 2.5              | No                    | Yes | No                                           |

Table 10-20: Spartan-3A/3AN/3A DSP Differential IOSTANDARD Bank Compatibility (Continued)

| Differential IOSTANDARD | I/O Type             | V <sub>CCAUX</sub> <sup>(3)</sup> | V <sub>CCO</sub>               | Differential Pad Type |          | Differential Bank Restriction <sup>(1)</sup> |
|-------------------------|----------------------|-----------------------------------|--------------------------------|-----------------------|----------|----------------------------------------------|
|                         |                      |                                   |                                | IP                    | IO       |                                              |
| LVDS_25                 | Input                | 2.5/3.3                           | Any                            | Yes                   | Yes      | No                                           |
|                         | Input with DIFF_TERM | 2.5/3.3                           | 2.5 - 3.3                      | No                    | Yes      | No                                           |
|                         | Output               | 2.5/3.3                           | 2.5                            | No                    | Bank 0/2 | Yes                                          |
| LVDS_33                 | Input                | 2.5/3.3                           | Any                            | Yes                   | Yes      | No                                           |
|                         | Input with DIFF_TERM | 2.5/3.3                           | 2.5 - 3.3                      | No                    | Yes      | No                                           |
|                         | Output               | 2.5/3.3                           | 3.3                            | No                    | Bank 0/2 | Yes                                          |
| MINI_LVDS_25            | Input                | 2.5/3.3                           | Any                            | Yes                   | Yes      | No                                           |
|                         | Input with DIFF_TERM | 2.5/3.3                           | 2.5 - 3.3                      | No                    | Yes      | No                                           |
|                         | Output               | 2.5/3.3                           | 2.5                            | No                    | Bank 0/2 | Yes                                          |
| MINI_LVDS_33            | Input                | 2.5/3.3                           | 2.5 - 3.3                      | Yes                   | Yes      | No                                           |
|                         | Input with DIFF_TERM | 2.5/3.3                           | 3.3                            | No                    | Yes      | No                                           |
|                         | Output               | 2.5/3.3                           | 3.3                            | No                    | Bank 0/2 | Yes                                          |
| RSDS_25                 | Input                | 2.5/3.3                           | Any                            | Yes                   | Yes      | No                                           |
|                         | Input with DIFF_TERM | 2.5/3.3                           | 2.5 - 3.3                      | No                    | Yes      | No                                           |
|                         | Output               | 2.5/3.3                           | 2.5                            | No                    | Bank 0/2 | Yes                                          |
| RSDS_33                 | Input                | 2.5/3.3                           | 2.5 - 3.3                      | Yes                   | Yes      | No                                           |
|                         | Input with DIFF_TERM | 2.5/3.3                           | 2.5 - 3.3                      | No                    | Yes      | No                                           |
|                         | Output               | 2.5/3.3                           | 3.3                            | No                    | Bank 0/2 | Yes                                          |
| PPDS_25                 | Input                | 2.5/3.3                           | Any                            | Yes                   | Yes      | No                                           |
|                         | Input with DIFF_TERM | 2.5/3.3                           | 2.5 - 3.3                      | No                    | Yes      | No                                           |
|                         | Output               | 2.5/3.3                           | 2.5                            | No                    | Bank 0/2 | Yes                                          |
| PPDS_33                 | Input                | 2.5/3.3                           | 2.5 - 3.3                      | Yes                   | Yes      | No                                           |
|                         | Input with DIFF_TERM | 2.5/3.3                           | 2.5 - 3.3                      | No                    | Yes      | No                                           |
|                         | Output               | 2.5/3.3                           | 3.3                            | No                    | Bank 0/2 | Yes                                          |
| LVPECL_25               | Input                | 2.5/3.3                           | Any                            | Yes                   | Yes      | No                                           |
|                         | Input with DIFF_TERM | Not available                     |                                |                       |          | No                                           |
|                         | Output               | Not available                     |                                |                       |          | No                                           |
| LVPECL_33               | Input                | 3.3 <sup>(4)</sup>                | 2.5 - 3.3                      | Yes                   | Yes      | No                                           |
|                         | Input with DIFF_TERM | Not available                     |                                |                       |          | No                                           |
|                         | Output               | Not available                     |                                |                       |          | No                                           |
| TMDS_33                 | Input                | 3.3 <sup>(4)</sup>                | 2.5 - 3.3                      | Yes                   | Yes      | No                                           |
|                         | Input with DIFF_TERM | 3.3 <sup>(4)</sup>                | 3.3                            | No                    | Yes      | No                                           |
|                         | Output               | 2.5/3.3                           | 3.3                            | No                    | Bank 0/2 | Yes                                          |
| DIFF_HSTL               |                      | 2.5/3.3                           | Same as Single-Ended Standards |                       |          |                                              |



Table 10-20: Spartan-3A/3AN/3A DSP Differential IOSTANDARD Bank Compatibility (Continued)

| Differential IOSTANDARD | I/O Type | V <sub>CCAUX</sub> <sup>(3)</sup> | V <sub>CCO</sub> | Differential Pad Type          |    | Differential Bank Restriction <sup>(1)</sup> |
|-------------------------|----------|-----------------------------------|------------------|--------------------------------|----|----------------------------------------------|
|                         |          |                                   |                  | IP                             | IO |                                              |
| DIFF_SSTL               |          | 2.5/3.3                           |                  | Same as Single-Ended Standards |    |                                              |

**Notes:**

- Banks 0 and 2 can each support any two of the following 2.5V differential standards: LVDS\_25 outputs, MINI\_LVDS\_25 outputs, RSDS\_25 outputs, PPDS\_25 outputs, or any two of the following 3.3V differential standards: LVDS\_33 outputs, MINI\_LVDS\_33 outputs, RSDS\_33 outputs, PPDS\_33 outputs, TMDS\_33 outputs. Other I/O bank restrictions might apply.
- V<sub>REF</sub> is not used for the differential I/O standards except for DIFF\_HSTL and DIFF\_SSTL.
- Spartan-3AN FPGAs require V<sub>CCAUX</sub> = 3.3V
- Power V<sub>CCAUX</sub> rails at 3.3V and set CONFIG VCCAUX = 3.3.

Table 10-21: Spartan-3E Differential IOSTANDARD Bank Compatibility

| Differential IOSTANDARD | V <sub>CCO</sub> Supply |                                                                       |       | Differential Bank Restriction <sup>(1)</sup>                               |
|-------------------------|-------------------------|-----------------------------------------------------------------------|-------|----------------------------------------------------------------------------|
|                         | 1.8V                    | 2.5V                                                                  | 3.3V  |                                                                            |
| LVDS_25                 | Input                   | Input,<br>On-chip Differential Termination <sup>(2)</sup> ,<br>Output | Input | Applies to Outputs Only                                                    |
| RSDS_25                 | Input                   | Input,<br>On-chip Differential Termination <sup>(2)</sup> ,<br>Output | Input | Applies to Outputs Only                                                    |
| MINI_LVDS_25            | Input                   | Input,<br>On-chip Differential Termination <sup>(2)</sup> ,<br>Output | Input | Applies to Outputs Only                                                    |
| LVPECL_25               | Input                   | Input                                                                 | Input | No Differential Bank Restriction (other I/O bank restrictions might apply) |
| BLVDS_25                | Input                   | Input, Output                                                         | Input |                                                                            |
| DIFF_HSTL_I_18          | Input, Output           | Input                                                                 | Input |                                                                            |
| DIFF_HSTL_III_18        | Input, Output           | Input                                                                 | Input |                                                                            |
| DIFF_SSTL18_I           | Input, Output           | Input                                                                 | Input |                                                                            |
| DIFF_SSTL2_I            | Input                   | Input, Output                                                         | Input |                                                                            |

**Notes:**

- Each bank can support one of the following: LVDS\_25 outputs, MINI\_LVDS\_25 outputs, RSDS\_25 outputs.
- On-chip differential termination is not supported on input-only pins (differential pad type IP).
- V<sub>REF</sub> is not used for the differential I/O standards except for DIFF\_HSTL and DIFF\_SSTL.

Table 10-22: Spartan-3 Differential IOSTANDARD Bank Compatibility

| Differential IOSTANDARD | V <sub>CCO</sub> Supply |               |       | Differential Bank Restriction <sup>(1)</sup> |
|-------------------------|-------------------------|---------------|-------|----------------------------------------------|
|                         | 1.8V                    | 2.5V          | 3.3V  |                                              |
| LVDS_25                 | Input                   | Input, Output | Input | Applies to Outputs Only                      |
| RSDS_25                 | Input                   | Input, Output | Input | Applies to Outputs Only                      |

Table 10-22: Spartan-3 Differential IOSTANDARD Bank Compatibility (Continued)

| Differential IOSTANDARD | V <sub>CCO</sub> Supply |               |       | Differential Bank Restriction <sup>(1)</sup>                               |
|-------------------------|-------------------------|---------------|-------|----------------------------------------------------------------------------|
|                         | 1.8V                    | 2.5V          | 3.3V  |                                                                            |
| LDT_25 (ULVDS_25)       | Input                   | Input, Output | Input | Applies to Outputs Only                                                    |
| LVDSEXT_25              | Input                   | Input, Output | Input | Applies to Outputs Only                                                    |
| LVPECL_25               | Input                   | Input, Output | Input | No Differential Bank Restriction (other I/O bank restrictions might apply) |
| BLVDS_25                | Input                   | Input, Output | Input |                                                                            |
| DIFF_HSTL_II_18         | Input, Output           | Input         | Input |                                                                            |
| DIFF_SSTL2_II           | Input                   | Input, Output | Input |                                                                            |

**Notes:**

- Each bank can support any two of the following: LVDS\_25 outputs, RSDS\_25 outputs, LDT\_25 (ULVDS\_25) outputs, LVDSEXT\_25 outputs.
- V<sub>REF</sub> is not used for the differential I/O standards except for DIFF\_HSTL and DIFF\_SSTL.

## I/O Banking Rules

When assigning I/Os to banks, these V<sub>CCO</sub> rules must be followed:

- All V<sub>CCO</sub> pins on the FPGA must be connected even if a bank is unused.
- All V<sub>CCO</sub> lines associated within a bank must be set to the same voltage level.
- The V<sub>CCO</sub> levels used by all standards assigned to the I/Os of any given bank must agree. The Xilinx development software checks for this. [Table 10-17](#) through [Table 10-22](#) describe how different standards use the V<sub>CCO</sub> supply.
- If a bank does not have any V<sub>CCO</sub> requirements, connect V<sub>CCO</sub> to an available voltage, such as 2.5V or 3.3V. Some configuration modes might place additional V<sub>CCO</sub> requirements.

If any of the standards assigned to the inputs of the bank use V<sub>REF</sub>, then the following additional rules must be observed:

- All V<sub>REF</sub> pins must be connected within a bank.
- All V<sub>REF</sub> lines associated with the bank must be set to the same voltage level.
- The V<sub>REF</sub> levels used by all standards assigned to the inputs of the bank must agree. The Xilinx development software checks for this. [Table 10-17](#) through [Table 10-19](#) describe how different standards use the V<sub>REF</sub> supply.

If V<sub>REF</sub> is not required to bias the input switching thresholds, all associated V<sub>REF</sub> pins within the bank can be used as user I/Os or input pins.

## Using Large-Swing Signals

Independent of the I/O standard compatibility with V<sub>CCO</sub>, care must be taken to ensure that V<sub>IN</sub> input voltages do not exceed the maximum specifications, which are sometimes specified in relation to V<sub>CCO</sub>. For example, the Spartan-3 family specifies a V<sub>IN</sub> recommended maximum of V<sub>CCO</sub> + 0.3V to avoid turning on the input protection diodes (see Module 3 of [DS099](#), *Spartan-3 FPGA Family Data Sheet* for the specifications). The Spartan-3E family specifies a V<sub>IN</sub> recommended maximum of V<sub>CCO</sub> + 0.5V to avoid

turning on the input protection diodes (see Module 3 of [DS312](#), *Spartan-3E FPGA Family Data Sheet* for the specifications). The Spartan-3A/3AN/3A DSP maximum  $V_{IN}$  values are independent of  $V_{CCO}$ , except for the PCI standards —see Module 3 of [DS529](#), *Spartan-3A FPGA Family Data Sheet* for the specifications.

In some applications it might be desirable to receive signals with a greater voltage swing than the I/Os ordinarily permit. The most common case is receiving 5V signals on pins set to a 3.3V I/O standard. These large-swing signals might be by design or can be a result of severe overshoot.

A similar situation might exist on the outputs, where the Spartan-3 generation FPGA needs to drive external devices supporting standards with larger swing. The Spartan-3 generation outputs at 3.3V can directly drive most 5V devices, although with less margin. Similarly, the LVC MOS25 dedicated configuration outputs can directly drive most 3.3V external devices.

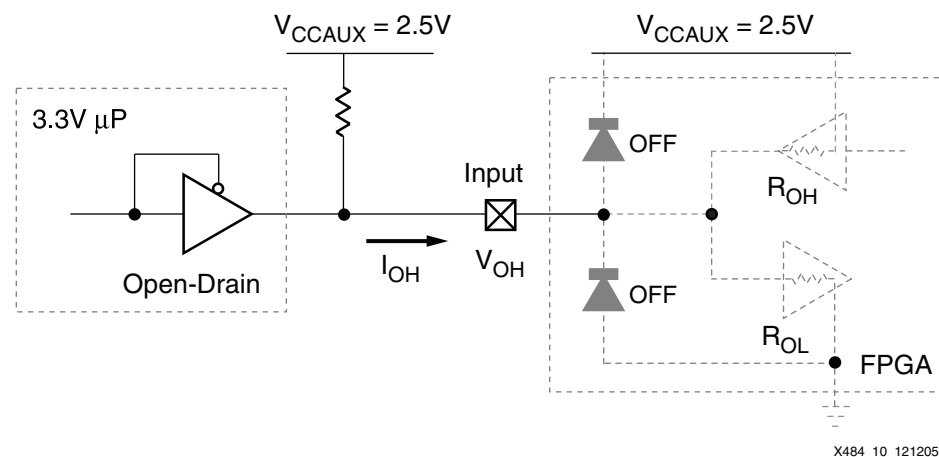
For the specific case of interfacing to the PCI bus, see [XAPP457](#), *Powering and Configuring Spartan-3 Generation FPGAs in Compliant PCI Applications*.

## Voltage Translators

Xilinx recommends the use of voltage level translators as the preferred solution when interfacing with large-swing signals. A voltage level translator can be as simple as a two-resistor voltage divider, or as complex as a PCI-to-PCI bridge.

## Open-Drain Interfacing

According to another approach, the outputs of certain external devices can be configured as open-drain outputs. Such outputs with pull-up resistors tied to a low voltage rail can be used to limit the signal swing so that the FPGA's Power Diode does not turn on. See [Figure 10-36](#).



**Figure 10-36: A 3.3V Open-Drain Output Connected to an FPGA's Dedicated Input**

The open-drain output is comparatively slow with reduced noise margin; it is most suitable for cases where timing is not too critical. Fortunately, in most cases, Dedicated Inputs (PROG\_B, TDI, TMS, and TCK) do not usually need to switch very fast.

## Voltage Clamps Using Internal Diodes

Input voltages outside the recommended range are permissible provided that the  $I_{IK}$  input clamp diode rating is met and I/O coupling effects are accounted for. To meet the  $I_{IK}$  input clamp diode rating in the Spartan-3 and Spartan-3E families, a series resistor can be added to the input. This solution can be used to apply 3.3V signals to configuration pins dedicated to LVCMOS25 standards. For more information on the configuration interface, see [UG332](#), *Spartan-3 Generation Configuration User Guide*, and [XAPP453](#), *The 3.3V Configuration of Spartan-3 FPGAs*.

In this type of solution, the internal Power Diode between the FPGA's output and its associated power rail is allowed to turn on, and a resistor in series with the output is used to limit the current. The current, which flows back into the regulator, is known as *reverse current*. Another resistor can be put across the power supply's output to help ensure proper regulation.

In this solution, parasitic leakage current between user I/Os in differential pin pairs can occur, even though the I/Os are configured with single-ended standards. This parasitic leakage can occur when the  $V_{IN}$  is beyond the recommended operating conditions, either positive or negative, even if the input current is limited. This parasitic current can cause unexpected device behavior, but does not damage the device. If you use this technique for large-swing signals, you should either leave the other pin of the differential pair unused, or manage the potential effects of the increased leakage. See [XAPP459](#), "Eliminating I/O Coupling Effects when Interfacing Large-Swing Single-Ended Signals to User I/O Pins on Spartan-3 Generation FPGAs."

## I/O and Input-Only Pin Behavior During Power-On, Configuration, and User Mode

In this section, all behavior described for I/O pins also applies to input-only pins and dual-purpose I/O pins that are not actively involved in the currently selected configuration mode.

The  $V_{CCINT}$  (1.2V),  $V_{CCAUX}$ , and  $V_{CCO}$  supplies can be applied in any order. Before the FPGA can start its configuration process,  $V_{CCINT}$ ,  $V_{CCO}$  Bank 2 (Bank 4 in the Spartan-3 family) and  $V_{CCAUX}$  must have reached their respective minimum recommended operating levels indicated in Module 3 of each family's data sheet. At this time, all output drivers are in a high-impedance state.  $V_{CCO}$  Bank 2,  $V_{CCINT}$ , and  $V_{CCAUX}$  serve as inputs to the internal power-on reset (POR) circuit.

A Low level applied to the Pull Up During Configuration (PUDC\_B) input enables the pull-up resistors on user-I/O and input-only pins from power-on throughout configuration. A High level on PUDC\_B disables the pull-up resistors, allowing the I/Os to float. PUDC\_B contains a weak pull-up and defaults to High if left floating. In the Spartan-3E family, this pin is called HSWAP, and in the Spartan-3 family, it is named HSWAP\_EN.

As soon as power is applied, the FPGA begins initializing its configuration memory. At the same time, the FPGA internally asserts the Global Set-Reset (GSR), which asynchronously resets all IOB storage elements to a default Low state.

Upon the completion of initialization and the beginning of configuration, INIT\_B goes High, sampling the M0, M1, and M2 inputs to determine the configuration mode. Configuration data is then loaded into the FPGA. The I/O drivers remain in a high-impedance state (with or without pull-up resistors, as determined by the PUDC\_B input) throughout configuration.

At the end of configuration, the GSR net is released, placing the IOB registers in a Low state by default, unless the loaded design reverses the polarity of their respective SR inputs.

The Global Three State (GTS) net is released during start-up, marking the end of configuration and the beginning of design operation in the User mode. After the GTS net is released, all user I/Os go active while all unused I/Os are weakly pulled down (PULLDOWN). The designer can control how the unused I/Os are terminated after GTS is released by setting the *UnusedPin* Bitstream Generator (BitGen) option to PULLUP, PULLDOWN, or FLOAT.

One clock cycle later (default), the Global Write Enable (GWE) net is released allowing the RAM and registers to change states. Once in User mode, any pull-up resistors enabled by PUDC\_B revert to the user settings and PUDC\_B is available as a general-purpose I/O. For more information on PULLUP and PULLDOWN, see “[Pull-Up and Pull-Down Resistors](#),” page 330.

For more information on the power-up and configuration processes, see [UG332](#), *Spartan-3 Generation Configuration User Guide*.

## Behavior of Unused I/O Pins After Configuration

By default, the Xilinx ISE development software automatically configures all unused I/O pins as input pins with individual internal pull-down resistors to GND.

This default behavior is controlled by the *UnusedPin* BitGen option.

## Related Materials and References

- **Spartan-3 Generation Data Sheets**  
I/O specifications and pin-outs.  
<http://www.xilinx.com//support/documentation/index.htm>
- **UG332: Spartan-3 Generation Configuration User Guide**  
I/O pin function during configuration.  
[http://www.xilinx.com/support/documentation/user\\_guides/ug332.pdf](http://www.xilinx.com/support/documentation/user_guides/ug332.pdf)
- **I/O Block Application Notes**  
[http://www.xilinx.com/support/documentation/topicfgafeaturedesign\\_ioblock.htm](http://www.xilinx.com/support/documentation/topicfgafeaturedesign_ioblock.htm)
- **Signal Integrity Central**  
Documents and links designed to give you everything you need to achieve reliable PCB designs on the first try.  
<http://www.xilinx.com/signalintegrity>



# Using Embedded Multipliers

---

## Summary

Dedicated 18x18 multipliers speed up DSP logic in the Spartan®-3 generation families. The multipliers are fast and efficient at implementing signed or unsigned multiplication of up to 18 bits. In addition to basic multiplication functions, the embedded multiplier block can be used as a shifter or to generate magnitude or two's-complement return of a value. The multipliers can be cascaded with each other or CLB logic for larger or more complex functions.

The Spartan-3A DSP platform devices includes high-performance DSP48A blocks that are compatible with the Virtex®-4 FPGA DSP48 architecture. These blocks support multiply accumulate operations at over 250 MHz.

## Introduction

Spartan-3 generation FPGAs have a number of features to fortify the chip's arithmetic capabilities. Carry logic and dedicated carry routing continues to be provided as in past generations. Dedicated AND gates in the CLBs accelerate array multiplication operations. The most significant addition is the dedicated 18x18 two's-complement multiplier block. With 3 to 104 of these dedicated multipliers in each device, fast arithmetic functions can be implemented with minimal use of the general-purpose resources. In addition to the performance advantage, dedicated multipliers require less power than CLB-based multipliers.

The embedded multipliers offer fast, efficient means to create 18-bit signed by 18-bit signed multiplication products. The multiplier blocks share routing resources with the Block SelectRAM™ memory, allowing for increased efficiency for many applications.

Applications such as signed-signed, signed-unsigned, and unsigned-unsigned multiplication, logical, arithmetic, and barrel shifters, two's-complement and magnitude return are easily implemented.

High-level synthesis tools usually automatically infer the dedicated multiplier for generic multiplication operations in VHDL or Verilog. To allow more user control or to use special features of the multiplier, it can be instantiated in a design or defined using the CORE Generator™ system.

## Embedded Multiplier Resource Differences between Spartan-3 Generation Families

The Spartan-3E and Spartan-3A/3AN FPGA families have similar embedded multiplier resources, with the Spartan-3A/3AN families offering additional routing flexibility. Although the resources are similar, there are timing differences between the families. The families share the same multiplier primitive, MULT18X18SIO, with optional input and output registers and cascade signals. The original Spartan-3 family offers a simpler multiplier without pipelining or cascade capabilities and uses the MULT18X18 (combinatorial) or MULT18X18S (registered) primitives. This chapter focuses on the architecture of the Spartan-3E and Spartan-3A/3AN families. For details on the Spartan-3 multiplier, see [DS099](#), *Spartan-3 FPGA Family Data Sheet* and [XAPP467](#), *Using Embedded Multipliers in Spartan-3 FPGAs*.

The Spartan-3A DSP platform has a new high-performance DSP48A block that is compatible with the Virtex-4 DSP48 and supports multiply accumulate operations at over 250 MHz. This block is backwards compatible with the Spartan-3E and Spartan-3A/3AN FPGA multipliers. For more information, see [UG431](#), *XtremeDSP Slice for Spartan-3A DSP FPGAs User Guide*.

## Two's-Complement Signed Multiplier

The multiplier primitive MULT18X18SIO is shown in [Figure 11-1](#). The multiplier blocks primarily perform two's complement numerical multiplication but can also perform some less obvious applications, such as simple data storage and barrel shifting. Each multiplier performs the principle operation  $P = A \times B$ , where A and B are 18-bit words in two's complement form, and P is the 36-bit full-precision product, also in two's complement form. The 18-bit inputs represent values ranging from  $-131,072_{10}$  to  $+131,071_{10}$  and the resulting product ranges from  $-17,179,738,112_{10}$  to  $+17,179,869,184_{10}$ .

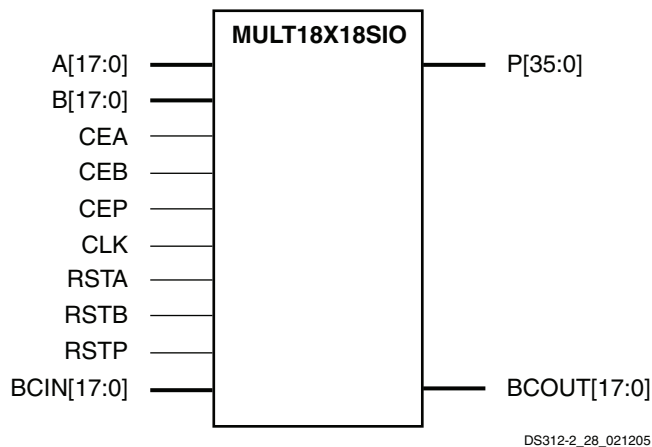


Figure 11-1: MULT18X18SIO Primitive

Optional registers are available on both the A and B inputs and the P output. The registered paths share a common clock CLK and have independent active-High clock enables and synchronous resets. The CLK, CE, and RST inputs all have programmable polarity.



Table 11-1: Number of Multipliers per Spartan-3 Generation Device

| Device                      | Multiplier Columns | Multipliers |
|-----------------------------|--------------------|-------------|
| <b>Spartan-3A DSP FPGAs</b> |                    |             |
| XC3SD1800A                  | 4                  | 84 DSP48A   |
| XC3SD3400A                  | 5                  | 126 DSP48A  |
| <b>Spartan-3A/3AN FPGAs</b> |                    |             |
| XC3S50A/AN                  | 1                  | 3           |
| XC3S200A/AN                 | 2                  | 16          |
| XC3S400A/AN                 | 2                  | 20          |
| XC3S700A/AN                 | 2                  | 20          |
| XC3S1400A/AN                | 2                  | 32          |
| <b>Spartan-3E FPGAs</b>     |                    |             |
| XC3S100E                    | 1                  | 4           |
| XC3S250E                    | 2                  | 12          |
| XC3S500E                    | 2                  | 20          |
| XC3S1200E                   | 2                  | 28          |
| XC3S1600E                   | 2                  | 36          |
| <b>Spartan-3 FPGAs</b>      |                    |             |
| XC3S50                      | 1                  | 4           |
| XC3S200                     | 2                  | 12          |
| XC3S400                     | 2                  | 16          |
| XC3S1000                    | 2                  | 24          |
| XC3S1500                    | 2                  | 32          |
| XC3S2000                    | 2                  | 40          |
| XC3S4000                    | 4                  | 96          |
| XC3S5000                    | 4                  | 104         |

The 18-bit width of the Spartan-3 generation multiplier is unusual but matches with the 18-bit width of the block RAM, which includes parity bits. Standard 8-bit or 16-bit multipliers can be created by using part of the multiplier block, or a 32-bit multiplier can be created via cascading. The Xilinx architecture allows any non-standard bit width to be implemented, exactly matching the needs of the application. Unused multiplier inputs are connected automatically to zero via connections to unused LUTs that are set to zero.

## Location Constraints

MULT18X18SIO embedded multiplier instances can have LOC properties attached to them to constrain placement. MULT18X18SIO placement locations differ from the convention used for naming CLB locations, allowing LOC properties to transfer easily from array to array.

The LOC properties use the following form:

```
LOC = MULT18X18_X#Y#
```

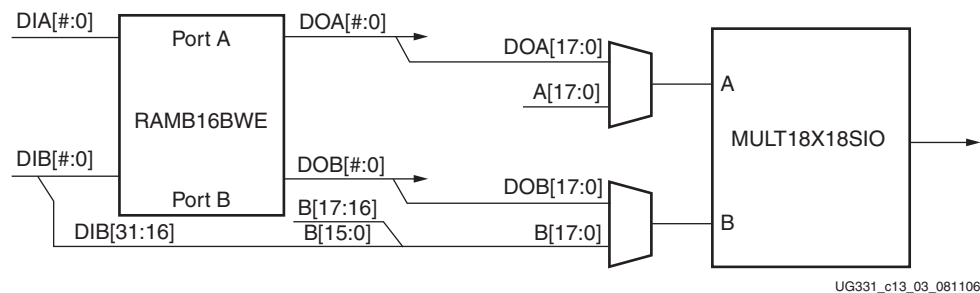
For example, MULT18X18\_X0Y0 is the bottom-left MULT18X18SIO location on the device.

## Multiplier/Block RAM Routing Interaction

Each multiplier is located adjacent to an 18 Kbit block RAM and shares some interconnect resources. In the Spartan-3 and Spartan-3E families, configuring an 18 Kbit block RAM for 32/36-bit wide data (512 x 36 mode) prevents use of the associated dedicated multiplier because the lower 16 bits of the A multiplicand input are shared with the upper 16 bits of the block RAM's Port A Data input. Similarly, the lower 16 bits of the B multiplicand input are shared with Port B's Data input.

The Spartan-3A/3AN platforms offer additional routing between the block RAM and multiplier. The A port inputs are independent, so the multiplier can always be used even if the block RAM outputs the full 36-bit width on port A. Because Port B is still shared, it is recommended to define a mixed-width block RAM with the 36-bit data on port A and the narrower data (up to x18) on port B.

The Spartan-3A/3AN platforms also offer direct routing from the block RAM into the multiplier. This path helps improve routability and performance when the multiplier coefficients are stored in the adjacent block RAM. See [Figure 11-2](#) for details of the Spartan-3A/3AN platform block RAM and multiplier connections.



**Figure 11-2: Spartan-3A/3AN Multiplier/Block RAM Connectivity**

The Spartan-3A DSP platform offers enhanced routing and features that avoid conflicts between block RAM and multiplier routing.

## Optional Pipeline Registers

As shown in [Figure 11-3](#), each multiplier block has optional registers on each of the multiplier inputs and the output. The registers, named AREG, BREG, and PREG, and can be used in any combination. The clock input is common to all the registers within a block, but each register has an independent clock enable and synchronous reset controls making it ideal for storing data samples and coefficients.

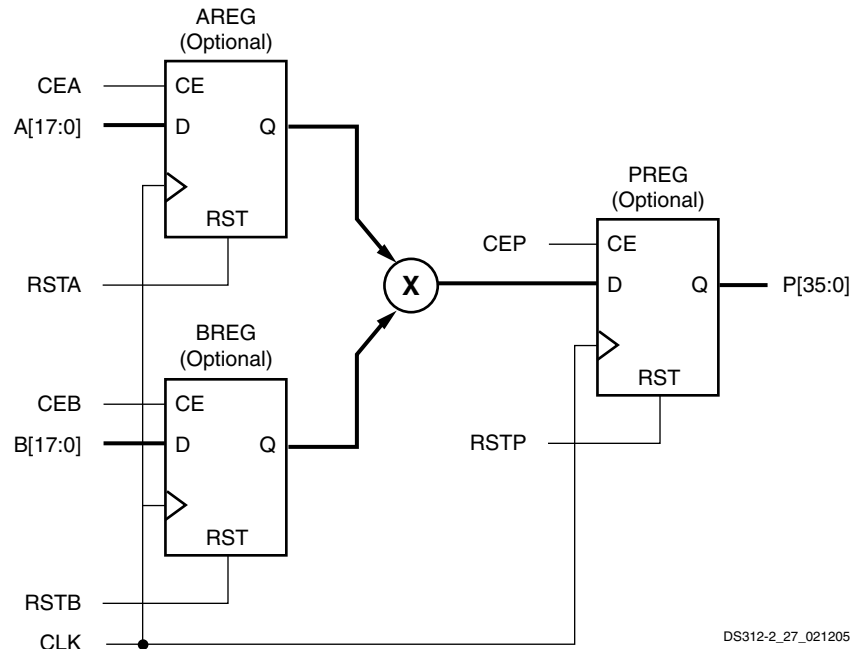


Figure 11-3: Principle Ports and Functions of Dedicated Multiplier Blocks

The pipeline registers can be inferred or instantiated. A single-stage multiplier typically infers usage of the output PREG register. A two-stage multiplier typically infers the usage of both the AREG/BREG input registers and the PREG output register.

To instantiate the pipeline registers on the MULT18X18SIO primitive, the individual AREG, BREG, and PREG attributes are set to 1 to insert the associated register or to 0 to remove it and make the signal path combinatorial. The default is 1 or fully pipelined. The attribute can be modified via the generic map (VHDL) or named parameter value assignment (Verilog) as a part of the instantiated component.

## Timing Specification

Multiplier performance can be enhanced by limiting the number of bits or putting critical signals on the LSBs, or by pipelining. When pipelining, the registers boost the multiplier clock rate, beneficial for higher performance applications.

The result is generated faster for the LSBs than the MSBs, since the MSBs require more levels of addition, so timing specifications are different for each of the 36 multiplier outputs. Designs should use only as many output bits as are necessary. For example, if two unsigned numbers will never have a product of  $2^{35}$  or higher, the P[35] output is always zero. For any pair of signed numbers of  $n$  bits, if you will never have  $-2^{n-1} \times -2^{n-1}$ , then the MSB is always identical to the next lower-order bit ( $P[2n-1] = P[2n-2]$ ). Also consider that if some outputs must have longer routing delays, they should be put on the output LSBs to balance with the MSB delays.

For the same reason, the data input setup time for the registered output multiplier is shorter for the MSBs than the LSBs, but the timing parameters do not differentiate between pins for setup time. For additional safety margin in a design, slower inputs should be put on the MSBs.

## Expanding Multipliers

Multiplication using inputs with more than 18 bits is possible by decomposing the multiplication process into smaller subprocesses. The binary representation of either input can be split at any point, provided the proper weighting and sign of the MSBs is taken into account. Splitting off the 18 MSBs of the input makes the best use of the 18-bit signed multipliers.

### Cascading Multipliers

The Spartan-3E/3A/3AN MULT18X18SIO primitive has two additional ports called BCIN and BCOUT to cascade or share the multiplier's B input among several multiplier blocks. The 18-bit BCIN "cascade" input port offers an alternate input source from the more typical B input. The B\_INPUT attribute specifies whether the specific implementation uses the BCIN or B input path. Setting B\_INPUT to DIRECT chooses the B input. Setting B\_INPUT to CASCADE selects the alternate BCIN input. The BREG register then optionally holds the selected input value, if required.

BCOUT is an 18-bit output port that always reflects the value applied to the multiplier's second input. This value is the B input, the cascaded value from the BCIN input, or the output of the BREG, if it is inserted.

Figure 11-4 illustrates the four possible configurations using different settings for the B\_INPUT attribute and the BREG attribute.

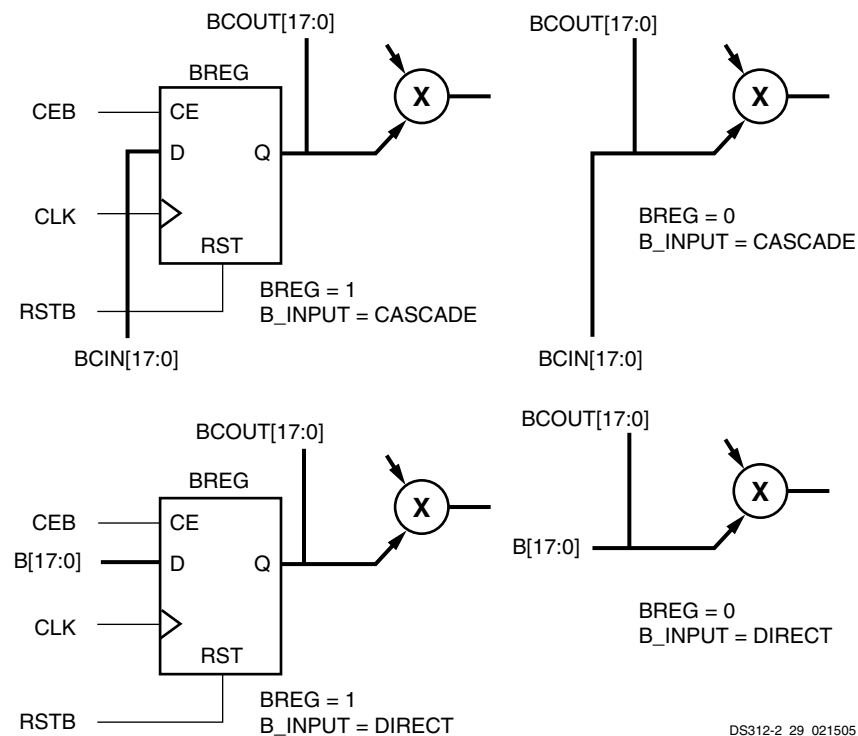


Figure 11-4: Four Configurations of the B Input

The BCIN and BCOUT ports have associated dedicated routing that connects adjacent multipliers within the same column. Via the cascade connection, the BCOUT port of one multiplier block drives the BCIN port of the multiplier block directly above it. There is no connection to the BCIN port of the bottom-most multiplier block in a column or a

connection from the BCOUT port of the top-most block in a column. As an example, [Figure 11-5](#) shows the multiplier cascade capability for a column of multipliers four blocks tall. For clarity, the figure omits the register control inputs.

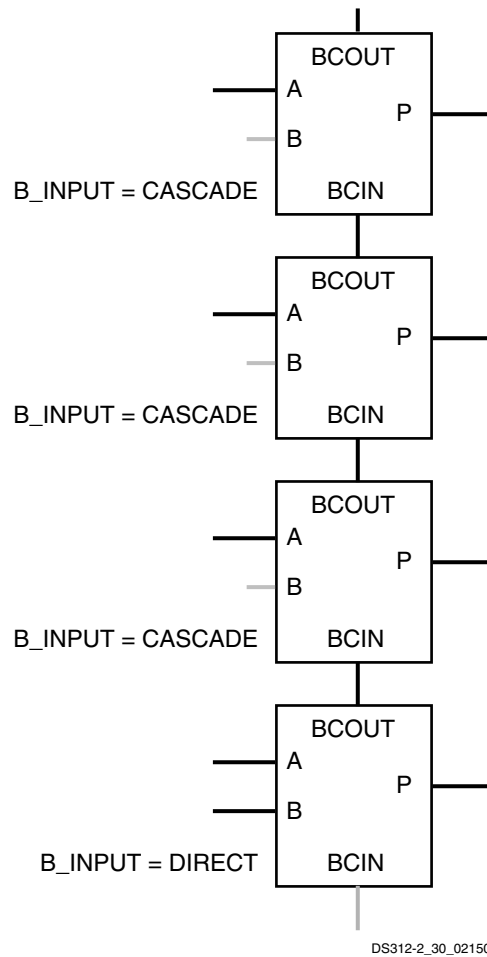


Figure 11-5: Multiplier Cascade Connection

When using the BREG register, the cascade connection forms a shift register structure typically used in DSP algorithms such as direct-form FIR filters. When the BREG register is omitted, the cascade structure essentially feeds the same input value to more than one multiplier. This parallel connection serves to create wide-input multipliers and implement transpose FIR filters. It is used in any application requiring several multipliers to have the same input value.

## Examples

For example, [Figure 11-6](#) shows how a 22x16 multiplier could be implemented. The 22-bit value is decomposed into an 18-bit signed value and a 4-bit unsigned value from the LSBs. Two partial products are formed. The first is a 20-bit signed product, which is the result of multiplying the 16-bit signed value by the 4-bit unsigned section. The second is a 34-bit signed product, formed by multiplying the 16-bit signed value by the 18-bit signed section. The addition process restores the weighting of the products (note the least significant bits of the first product bypass the addition) and forms the final 38-bit product. Since the first

product is signed, the 20-bit value needs to be sign-extended before addition. The adder itself only needs to be 34 bits, requiring 17 slices.

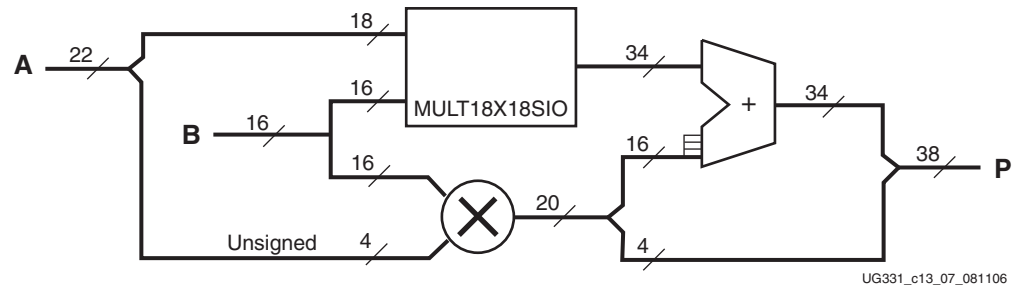


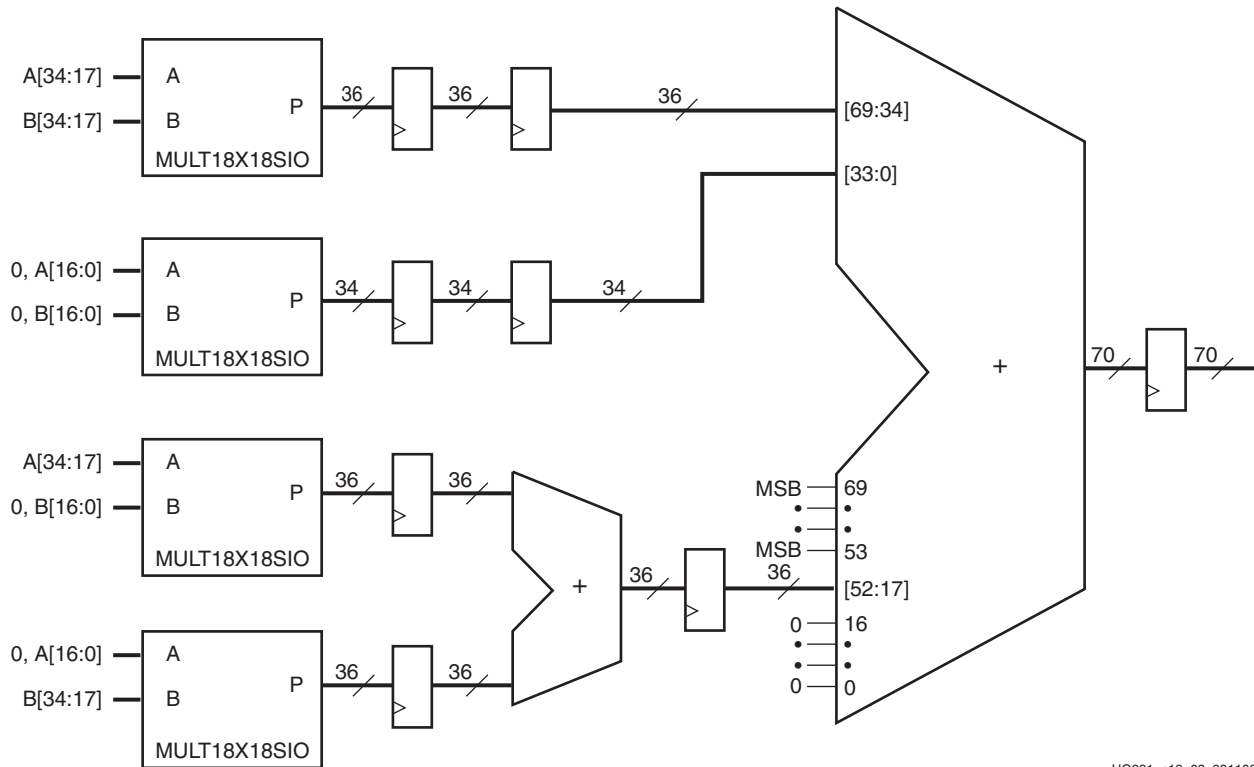
Figure 11-6: 22x16 Multiplier Implementation

The implementation can vary depending on the performance needs and available resources. The second multiplier can be implemented in the MULT18X18SIO resource or in CLBs if it is small. Pipelining can be added to improve performance, using the built-in capabilities of the dedicated multipliers. If both inputs are greater than 18 bits, then four partial products are formed, but the purely unsigned result from the LSBs simply can be concatenated with the 36-bit signed product of the MSBs and added to the other two results.

Figure 11-7 represents the cascaded scheme used to implement a 35-bit by 35-bit signed multiplier utilizing four embedded multipliers and two adders.

The fixed adder is 53 bits wide (17 LSBs are always 0 on one input).

The 34-bit by 34-bit unsigned submodule is constructed in a similar manner with the most significant bit on each operand being tied to logic Low.



UG331\_c13\_08\_081106

Figure 11-7: 35x35 Signed Multiplier

## Two Multipliers in a Single Primitive

The dedicated multiplier can be used to multiply two smaller numbers at the same time. By putting one value on the LSBs and one on the MSBs, two independent results can be obtained as long as the results do not overlap with each other on the outputs. Shifting one of the values  $n$  positions to the MSBs is the same as multiplying it by  $2^n$ . If the value shifted to the MSBs is  $X$ , then the new value is  $X * 2^n$ . If the value on the LSBs is  $Y$ , then the complete multiplier input is  $X * 2^n + Y$ .

For simplified illustration purposes, an assumption of two squares being implemented in the same MULT18X18SIO primitive is used. The following equation shows the form of the multiplication.

### Two Multipliers per Primitive:

$$(X * 2^n + Y)(X * 2^n + Y) = (X^2 * 2^{2n}) + (XY * 2^{n+1}) + (Y^2)$$

For values 0 on  $X$  or  $Y$ , the equation becomes:

$$X^2 * 2^{2n} \quad \{Y=0\} \quad (X^2 \text{ on the output MSBs})$$

$$Y^2 \quad \{X=0\} \quad (Y^2 \text{ on the output LSBs})$$

$$0 \quad \{X=0, Y=0\}$$

With both  $X$  and  $Y$  at non-zero values, care must be taken to avoid overlap between the results on the MSBs and LSBs and the middle term ( $XY * 2^{n+1}$ ). Two multipliers can coexist in one MULT18X18SIO primitive, if the conditions in the following inequalities are met when neither  $X$  nor  $Y$  are 0.

### Inequality Conditions for Two Multipliers per Primitive:

$$(X^2 * 2^{2n})_{\min} > (XY * 2^{n+1})_{\max}, (XY * 2^{n+1})_{\min} > (Y^2)_{\max}$$

Table 11-2 shows values for X and Y where these conditions are met.

Table 11-2: Two Multipliers per MULT18X18SIO Allowable Sizes

| X * X       |               | Y * Y         |
|-------------|---------------|---------------|
| Signed Size | Unsigned Size | Unsigned Size |
| 6 X 6       | 5 X 5         | 5 X 5         |
| 5 X 5       | 4 X 4         | 6 X 6         |
| 4 X 4       | 3 X 3         | 7 X 7         |

Figure 11-8 represents the MULT18X18SIO connections for calculating the square of both a 6-bit signed number and a 5-bit unsigned number.

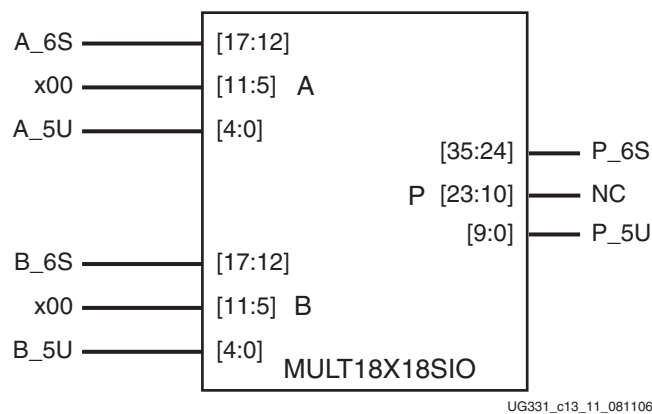


Figure 11-8: Two Multipliers in One Primitive

## Design Entry

There are many options for including the Spartan-3 generation multiplier in a design. The library primitive MULT18X18SIO described earlier can be instantiated in the schematic or HDL code. Synthesis tools can infer a multiplier block from the multiply operator, including Xilinx XST, Synplicity Synplify, and Mentor Precision. They will infer the register when the operation is controlled by a clock for a synchronous multiplier.

Mentor synthesis features a pipeline multiplier that involves putting levels of registers in the logic to introduce parallelism and, as a result, use CLB resources instead of the dedicated multipliers. A certain construct in the input RTL source code description is required to allow the pipelined multiplier feature to take effect. See the Synthesis and Simulation Design Guide for more information.

The following VHDL example will infer the MULT18X18SIO with the PREG output register:

```
library ieee;
use ieee.std_logic_1164.all;
use ieee.std_logic_arith.all;
use ieee.std_logic_unsigned.all;
entity mult18x18sio is
 port (a : in std_logic_vector(7 downto 0);
 b : in std_logic_vector(7 downto 0);
```



```

 clk : in std_logic;
 prod : out std_logic_vector(15 downto 0));
end mult18x18sio;
architecture arch_mult18x18sio of
 mult18x18sio is
begin
 process(clk) is begin
 if clk'event and clk = '1' then
 prod <= a*b;
 end if;
 end process;
end arch_mult18x18sio;

```

The following is a Synchronous Multiplier VHDL example coded for Mentor:

```

library ieee;
use ieee.std_logic_1164.all;
use ieee.std_logic_arith.all;
use ieee.std_logic_unsigned.all;
entity mult18x18sio is
 port(clk: in std_logic;
 a: in std_logic_vector(7 downto 0);
 b: in std_logic_vector(7 downto 0);
 prod: out std_logic_vector(15 downto 0));
end mult18x18sio;
architecture arch_mult18x18sio of
 mult18x18sio is
 signal reg_prod : std_logic_vector(15 downto 0);
begin
 process(clk)
 begin
 if(rising_edge(clk)) then
 reg_prod <= a * b;
 prod <= reg_prod;
 end if;
 end process;
end arch_mult18x18sio;

```

The following is a Synchronous Multiplier Verilog example coded for Synplify and XST:

```

module mult18x18sio(a,b,clk,prod);
 input [7:0] a;
 input [7:0] b;
 input clk;
 output [15:0] prod;
 reg [15:0] prod;
 always @(posedge clk) prod <= a*b;
endmodule

```

The following is a Synchronous Multiplier Verilog example coded for Mentor:

```

module mult18x18sio (a,b,clk,prod);
 input [7:0] a;
 input [7:0] b;
 input clk;
 output [15:0] prod;
 reg [15:0] reg_prod, prod;
 always @(posedge clk) begin
 reg_prod <= a*b;
 prod <= reg_prod;
 end
endmodule

```

## MULT\_STYLE Constraint

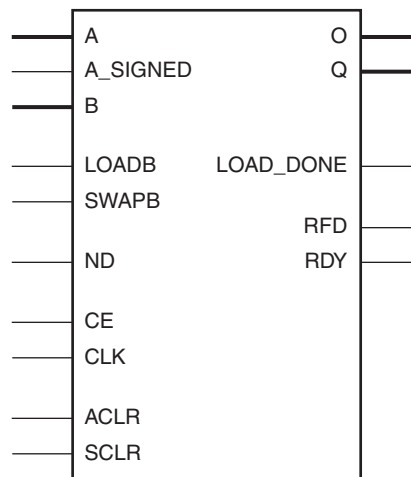
The MULT\_STYLE constraint controls the implementation of the MULT18X18SIO primitives. In the Project Navigator, the default is that the Xilinx Synthesis Tool (XST) will select the best type of implementation. To ensure that the embedded multipliers are used, set MULT\_STYLE = Block or select "Block" for the "Multiplier Style" property in the Project Navigator. The MULT\_STYLE constraint can also be applied globally at the XST command line. For the MULT18X18SIO, the MULT\_STYLE constraint is attached to the component, not the output bus. See the Constraints Guide for more information.

## Using the CORE Generator System

Multipliers that make use of the embedded Spartan-3 generation 18-bit x 18-bit two's-complement multipliers can be easily generated using the CORE Generator Multiplier module. This core is available with the CORE Generator system. Features of the Multiplier Generator include:

- Easy-to-use graphical interface generates instantiation templates for VHDL or Verilog
- Generates parallel multipliers using the dedicated multiplier blocks  
Also can use other resources for parallel multipliers or generate sequential/serial-sequential, and fixed/reloadable constant coefficient multipliers
- Supports two's-complement signed/unsigned modes
- Supports inputs ranging from 1 to 64 bits wide
- Supports outputs ranging from 1 to 129 bits wide
- Generates purely combinatorial and fully pipelined implementations
- Provides optional registered input or output with optional clock enable and asynchronous and synchronous clears
- Provides optional handshaking signals

Figure 11-9 shows the logic symbol for the Core Multiplier Generator. The RFD (Ready For Data) output goes High to indicate the multiplier is ready to accept data. The ND (New Data) input can be asserted to indicate new data is available on the multiplier inputs. The RDY (Ready) signal indicates that the output is the current product. LOADB and SWAPB are used in constant coefficient multipliers.



X467\_06\_032403

Figure 11-9: Core Multiplier Generator Symbol

The CORE Generator system uses the embedded multiplier for the default Parallel multiplier type. The Multiplier Construction XCO parameter option or the `c_mult_type` Generic option gives the user the choice to implement the function in look-up tables instead.

Figure 11-10 shows the timing diagram for the Multiplier Generator.

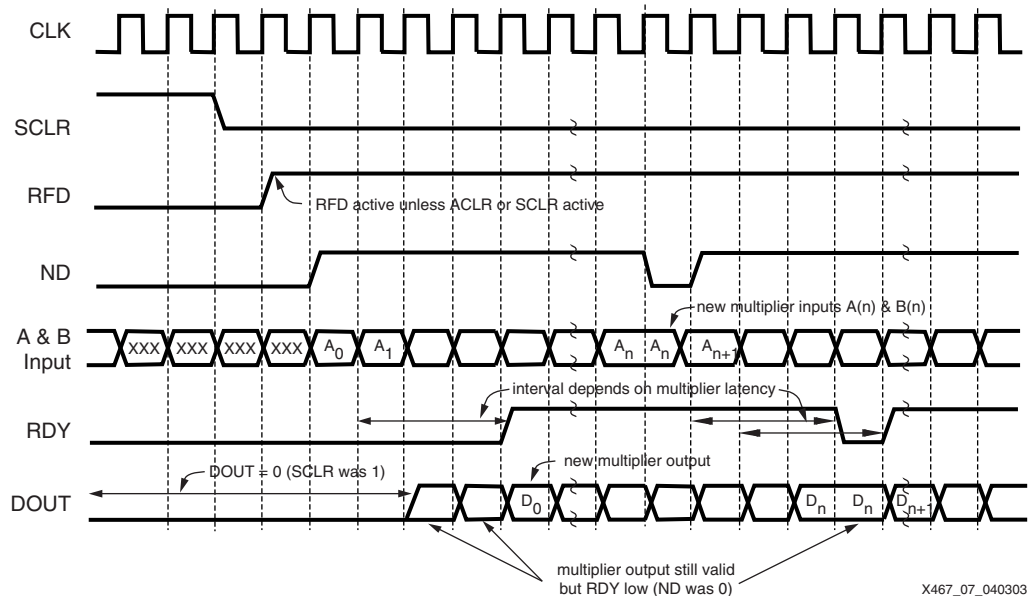


Figure 11-10: Multiplier Generator Timing Diagram

## System Generator

The Multiplier Generator is used by the System Generator for DSP when the MULT block is used. System Generator presents a high level and abstract view of the design, but also exposes key features in the underlying silicon, making it possible to build extremely high-performance FPGA implementations. The System Generator also provides blocks for compiling MATLAB M-code into synthesizable HDL code. The System Generator uses the embedded multiplier when a parallel multiplier is selected.

## MAC Cores

The CORE Generator system and the System Generator can also implement more complex functions using the multiplier as a building block. The Multiply Accumulator (MAC) core supports up to 32-bit inputs and optional user-defined pipelining. The options of an Embedded or LUT based implementation control whether the dedicated multipliers or CLB resources are used for the function. The MAC implementation uses relatively few CLB resources beyond the dedicated multipliers and provides flexibility that is key to matching a design to the lowest density and lowest cost solution possible.

The MAC and MAC-based FIR filters include an automatic pipeline control which is based on required system clock performance. Levels of pipeline will automatically be inserted based on the design requirement for a perfect speed/area trade-off.

## Spartan-3 Family Library Primitives

The original Spartan-3 family uses the MULT18X18 (combinatorial) and MULT18X18S (registered) library primitives for the embedded multipliers. Table 11-3 defines each port of the MULT18X18SIO primitive.

Table 11-3: MULT18X18SIO Embedded Multiplier Primitives Description

| Signal Name | Direction | Function                                                                                                                                                                                                                                                                                                                                                                                                                                                                                                                                                                                                              |
|-------------|-----------|-----------------------------------------------------------------------------------------------------------------------------------------------------------------------------------------------------------------------------------------------------------------------------------------------------------------------------------------------------------------------------------------------------------------------------------------------------------------------------------------------------------------------------------------------------------------------------------------------------------------------|
| A[17:0]     | Input     | The primary 18-bit two's complement value for multiplication. The block multiplies by this value asynchronously if the optional AREG and PREG registers are omitted. When AREG and/or PREG are used, the value provided on this port is qualified by the rising edge of CLK, subject to the appropriate register controls.                                                                                                                                                                                                                                                                                            |
| B[17:0]     | Input     | The second 18-bit two's complement value for multiplication if the B_INPUT attribute is set to DIRECT. The block multiplies by this value asynchronously if the optional BREG and PREG registers are omitted. When BREG and/or PREG are used, the value provided on this port is qualified by the rising edge of CLK, subject to the appropriate register controls.                                                                                                                                                                                                                                                   |
| BCIN[17:0]  | Input     | The second 18-bit two's complement value for multiplication if the B_INPUT attribute is set to CASCADE. The block multiplies by this value asynchronously if the optional BREG and PREG registers are omitted. When BREG and/or PREG are used, the value provided on this port is qualified by the rising edge of CLK, subject to the appropriate register controls.                                                                                                                                                                                                                                                  |
| P[35:0]     | Output    | The 36-bit two's complement product resulting from the multiplication of the two input values applied to the multiplier. If the optional AREG, BREG and PREG registers are omitted, the output operates asynchronously. Use of PREG causes this output to respond to the rising edge of CLK with the value qualified by CEP and RSTP. If PREG is omitted, but AREG and BREG are used, this output responds to the rising edge of CLK with the value qualified by CEA, RSTA, CEB, and RSTB. If PREG is omitted and only one of AREG or BREG is used, this output responds to both asynchronous and synchronous events. |
| BCOUT[17:0] | Output    | The value being applied to the second input of the multiplier. When the optional BREG register is omitted, this output responds asynchronously in response to changes at the B[17:0] or BCIN[17:0] ports according to the setting of the B_INPUT attribute. If BREG is used, this output responds to the rising edge of CLK with the value qualified by CEB and RSTB.                                                                                                                                                                                                                                                 |
| CEA         | Input     | Clock enable qualifier for the optional AREG register. The value provided on the A[17:0] port is captured by AREG in response to a rising edge of CLK when this signal is High, provided that RSTA is Low.                                                                                                                                                                                                                                                                                                                                                                                                            |
| RSTA        | Input     | Synchronous reset for the optional AREG register. AREG content is forced to the value zero in response to a rising edge of CLK when this signal is High.                                                                                                                                                                                                                                                                                                                                                                                                                                                              |
| CEB         | Input     | Clock enable qualifier for the optional BREG register. The value provided on the B[17:0] or BCIN[17:0] port is captured by BREG in response to a rising edge of CLK when this signal is High, provided that RSTB is Low.                                                                                                                                                                                                                                                                                                                                                                                              |
| RSTB        | Input     | Synchronous reset for the optional BREG register. BREG content is forced to the value zero in response to a rising edge of CLK when this signal is High.                                                                                                                                                                                                                                                                                                                                                                                                                                                              |
| CEP         | Input     | Clock enable qualifier for the optional PREG register. The value provided on the output of the multiplier port is captured by PREG in response to a rising edge of CLK when this signal is High, provided that RSTP is Low.                                                                                                                                                                                                                                                                                                                                                                                           |
| RSTP        | Input     | Synchronous reset for the optional PREG register. PREG content is forced to the value zero in response to a rising edge of CLK when this signal is High.                                                                                                                                                                                                                                                                                                                                                                                                                                                              |

### Notes:

1. The control signals CLK, CEA, RSTA, CEB, RSTB, CEP, and RSTP have the option of inverted polarity.

Binary multiplication is similar to regular multiplication with the multiplicand multiplied by each bit of the multiplier to generate partial products, and then the partial products added together to create the result. The Xilinx multiplier block uses the modified Booth algorithm, in effect using multiplexers to create the partial products.

## Data Flow

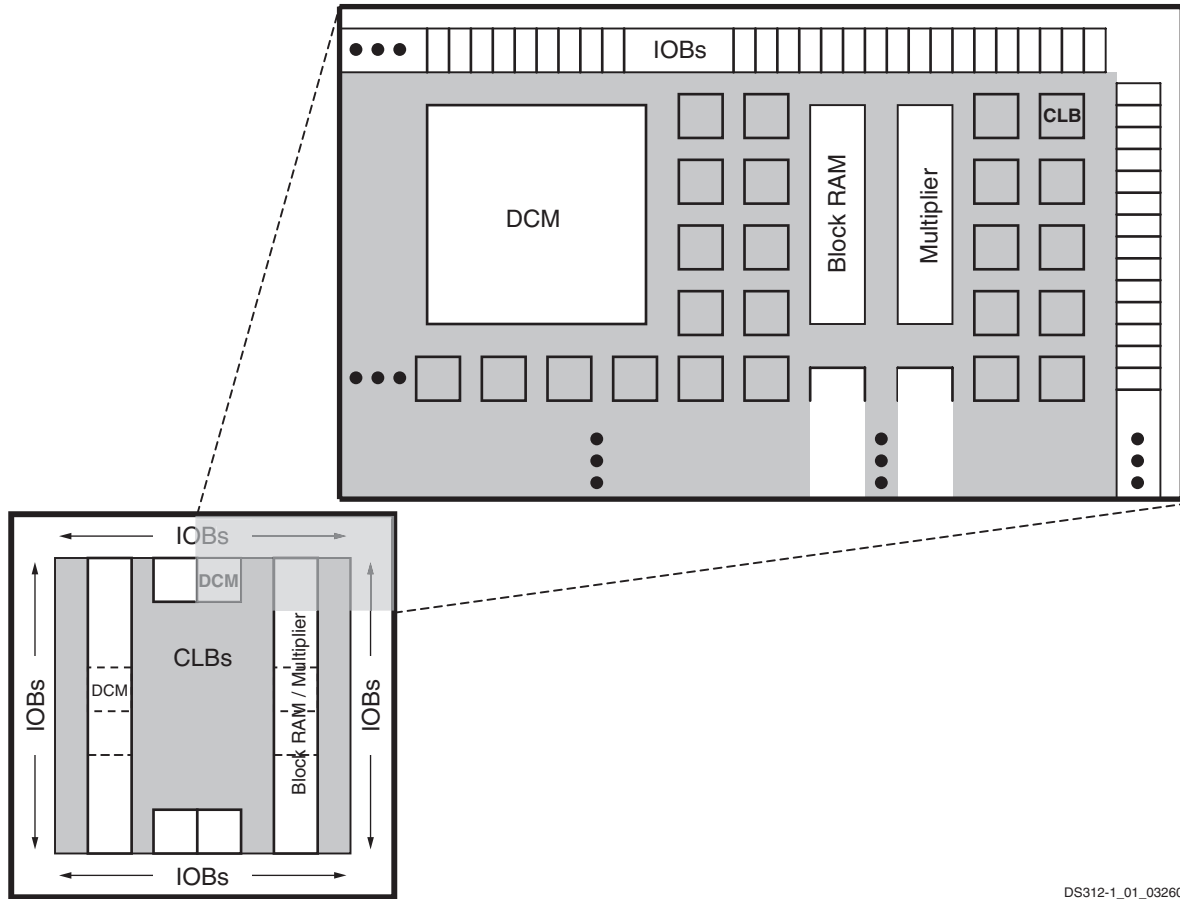
Each embedded multiplier block (MULT18X18SIO primitive) supports two independent dynamic data input ports: 18-bit signed or 17-bit unsigned. The two inputs are referred to as the multiplicand and the multiplier, or the factors, while the output is the product.

Multipliers with inputs less than 18 bits are implemented by sign-extending the inputs (i.e., replicating the most-significant bit). Wider multiplication operations are performed by combining the dedicated multipliers and slice-based logic in any viable combination or by time-sharing a single multiplier.

Unsigned multiplication is performed by restricting the inputs to the positive range. The most-significant bit is tied Low and the unsigned value is represented in the remaining 17 less-significant bits.

## Multipliers in the Spartan-3 Generation Architecture

The multipliers are located adjacent to the block RAM, making it convenient to store inputs or results in the block memory (see [Figure 11-11](#)). There are two columns of multipliers in most devices. The smallest devices have one column, while the largest devices have four to five columns (see [Table 11-1](#)). Where there are two columns, they have two columns of CLBs between them and the edge, allowing the multiplier to be easily driven by CLB or IOB logic. There are four CLBs, or 16 slices and 32 LUTs, on either side of a given multiplier block, allowing 32 input and output signals to be connected immediately adjacent to the multiplier block. One possible high-speed layout is to put A[15:0] on one side, B[15:0] on the other side, and intersperse the P[31:0] outputs on both sides. For a full-size 18x18 multiplier, the extra inputs and outputs can connect to the next CLB column.



DS312-1\_01\_032606

**Notes:**

1. The XC3S700A/AN and XC3S1400A/AN have two additional DCMs on both the left and right sides as indicated by the dashed lines. The XC3S50A/AN has only two DCMs at the top and only one Block RAM/Multiplier column.

Figure 11-11: Location of Multipliers in Spartan-3 Generation Architecture

## Alternative Applications to Multiplication

Since binary multiplication by  $2^n$  is the same as shifting the value  $n$  places, a multiplier can be used as a shifter or other general-purpose resource. These can be considered in applications that otherwise would not need the large number of available multipliers.

### Shifter

A multiplier can be used as a shifter. One operand is routed to the output, shifted by  $n$  positions, if the other operand is a power of two ( $2^n$ ). Since the sign-bit (MSB) cannot be used to control the shift, the 18x18 two's-complement multiplier can shift by 0 to 16 positions.

Of the 36 output lines, those less significant than the shifted data lines are automatically filled with zeros; those more significant than the shifted data are filled with zeros or ones, depending on the state of the MSB input. This is the natural result of the two's-complement multiplication.

The user can either perform a logic shift of 17 input bits by holding the MSB input Low, or perform an arithmetic shift of an 18-bit two's-complement number, effectively sign-extending the MSB.

A conventional CLB-based shifter would use an array of  $n$  multiplexers, each with  $n$  inputs, and require a large amount of routing resources. Multiplier-based shifters larger than 18 bits, and barrel shifters of any length, require external OR gating of the outputs, but use far fewer CLB resources.

## Magnitude Return

To generate the absolute value of a number by using multiplication, multiply by 1 if it is positive (MSB is zero), and multiply by -1 if it is negative (MSB is one). In two's-complement notation, 1 is all zeros ending in a one as the LSB, and -1 is all ones, including the LSB. Therefore, a magnitude return or absolute value generator can be implemented by multiplying by a value with a one as the LSB and the MSB of the input value in all the other bit positions. Figure 11-12 shows a magnitude return generator.

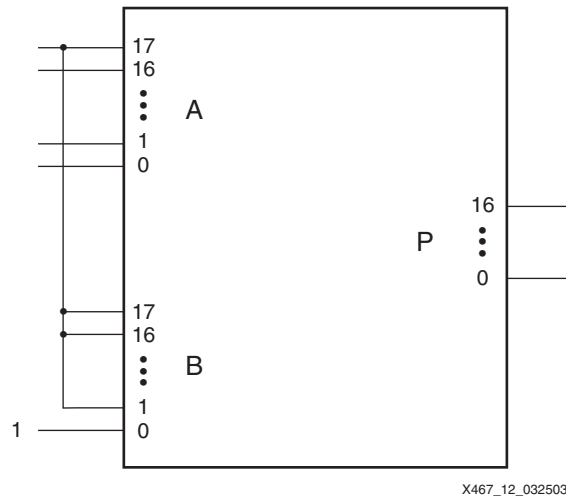


Figure 11-12: Magnitude Return

## Two's-Complement Return

Generating the two's complement of a number typically requires only one LUT per bit with the carry logic used for larger numbers. However, if LUTs are heavily used, the multiplier can be used to return the two's complement of the input. Multiplying an input number by an equivalent length number of all ones generates the two's complement of the number over the same length of the output bits. Any extraneous higher-order bits are ignored. Figure 11-13 shows a two's complement return generator.



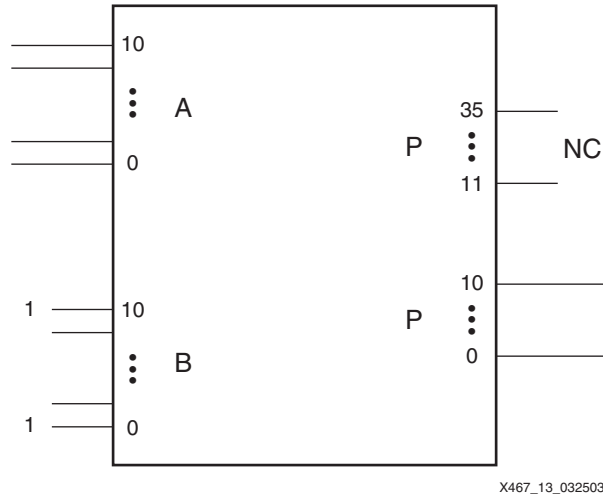


Figure 11-13: Two's-Complement Return

## Complex Multiplication

Complex multiplication is multiplication of complex numbers, which contain real and imaginary components with the imaginary unit  $i$  equal to the square root of  $-1$ . Complex multiplication can be carried out using only three real multiplications:  $ac$ ,  $bd$ , and  $(a + b)(c + d)$ . The real part of  $(a + ib)(c + id)$  is  $ac - bd$ , and the imaginary part is  $(a + b)(c + d) - ac - bd$ . The large number of multipliers in the Spartan-3 generation architecture makes it convenient to do even complex multiplication.

## Time Sharing in Matrix Multiplication

Many pipelined functions in the computer graphics and video fields are expressed in matrix mathematics. A  $3 \times 3$  matrix multiplication would require 27 multiplies and 18 adds to generate the  $3 \times 3$  matrix result. Color conversion can be described as a  $3 \times 3$  matrix multiplication by a constant, which requires nine multiplies and six adds to generate the three results.

The high-speed capability of a Spartan-3 generation device allows the user to "time share" the multipliers. Instead of nine multipliers, the design feeds nine sets of inputs resulting in nine sets of results at nine times the clock rate of the system, reducing the multiplier count to one. The adder logic is implemented in CLB resources, and at every third clock, the adder output is stored in output registers to capture the three results. See [XAPP284](#) for more information.

## Floating-Point Multiplication

Floating-point values add an exponent to the number and sign bit used in binary multiplication. A 32-bit floating-point multiplier can be implemented using four of the dedicated multiplier blocks and CLB resources. Such multipliers are available from Xilinx AllianceCORE partners.

## Related Materials and References

- Spartan-3 Generation Data Sheets  
Architectural description and timing parameters.  
<http://www.xilinx.com/support/documentation/index.htm>
- XtremeDSP Technology Solutions  
[http://www.xilinx.com/products/design\\_resources/dsp\\_central/grouping/](http://www.xilinx.com/products/design_resources/dsp_central/grouping/)  
Information that will enable you to achieve the maximum benefit from our DSP solutions.
- IP Center (<http://www.xilinx.com/ipcenter>)  
Xilinx and Alliance partner core solutions.
- Xilinx Software Documentation  
([http://www.xilinx.com/support/software\\_manuals.htm](http://www.xilinx.com/support/software_manuals.htm))  
Libraries Guide descriptions, Synthesis and Simulation Design Guide instantiation examples for HDL.
- [XAPP195](#): *Implementing Barrel Shifters Using Multipliers*  
8-bit and 32-bit barrel shifter examples.
- [XAPP284](#): *Matrix Math, Graphics, and Video*  
Uses one multiplier running at 9x the clock rate to provide the nine results for a 3x3 matrix multiplication in one system clock cycle.
- [UG431](#): *XtremeDSP Slice for Spartan-3A DSP FPGAs User Guide*  
Describes the DSP48A block in the Spartan-3A DSP platform.
- [XAPP467](#): *Using Embedded Multipliers in Spartan-3 FPGAs*  
Details how to use the MULT18X18 and MULT18X18S for the Spartan-3 family.
- [XAPP636](#): *Optimal Pipelining of the I/O Ports of Virtex-II Multipliers*  
Describes a high-speed, optimized implementation of the dedicated multiplier resulting from pipelined inputs and outputs and effective placement and routing constraints.
- [WP277](#): *Expanding Dedicated Multipliers*  
This white paper describes methods for expanding the natural bit-width capability of dedicated multipliers in a way that will make best use of the complete FPGA resources.

## Conclusion

FPGAs have a significant advantage over general-purpose DSP chips because their logic can be customized for the specific application. Some functions can run over 100 times faster and require much less expense in an FPGA. A key feature to take advantage of is the dedicated multiplier block. Take advantage of the automatic optimization of multiplication logic, and the user controls when necessary to get the exact results desired. The CORE Generator system can create simple multipliers or combine them into more complex functions such as MACs.

## Appendix A: Two's-Complement Multiplication

Two's-complement representation allows the use of binary arithmetic operations on signed integers, yielding the correct two's-complement results. Positive two's-complement numbers are represented as simple binary. Negative two's-complement numbers are represented as the binary number that when added to a positive number of the same magnitude equals zero. To calculate the two's complement of an integer, invert the binary equivalent of the number by changing all of the ones to zeros and all of the zeros to ones (also called one's complement), and then add one. The MSB (left-most) bit indicates the sign of the integer; therefore it is sometimes called the sign bit. If the sign bit is zero, the number is positive. If the sign bit is one, the number is negative. To extend a signed integer to a larger width, duplicate the MSB on the left side of the number.

Two's-complement multiplication follows the same rules as binary multiplication, which are the same as the truths of the AND gate:

$$0 \times 0 = 0$$

$$0 \times 1 = 0$$

$$1 \times 0 = 0$$

$$1 \times 1 = 1, \text{ and no carry or borrow bits}$$

For example,

$$\begin{array}{r} 1111 \ 1100 = -4 \\ \times \ 0000 \ 0100 = +4 \\ \hline 1111 \ 0000 = -16 \end{array}$$



# Using Interconnect

---

Interconnect is the programmable network of signal pathways between the inputs and outputs of functional elements within the FPGA, such as IOBs, CLBs, DCMs, and block RAM.

## Overview

Interconnect, also called routing, is segmented for optimal connectivity. There are four kinds of interconnect: long lines, hex lines, double lines, and direct lines. The Xilinx ISE® Place and Route (PAR) software exploits the rich interconnect array to deliver optimal system performance and the fastest compile times. Knowledge of the interconnect details can help guide design techniques but is typically not necessary to efficient FPGA design. Some types of global interconnect are controlled by the design. These include the clock routing, selected via the use of global clock buffers, and discussed in more detail in [Chapter 2, “Using Global Clock Resources.”](#) Two other global signals, GTS (Global Three-State) and GSR (Global Set/Reset), are selected via the use of the STARTUP component, which is described at the end of this chapter.

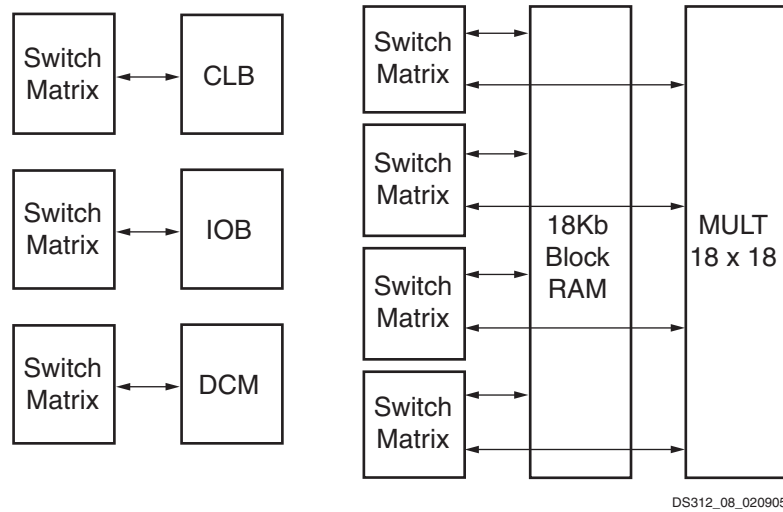
## Interconnect Differences between Spartan-3 Generation Families

Functionally, interconnect resources are almost identical between the Spartan®-3, Spartan-3E, and Extended Spartan-3A families. Although the Spartan-3E and Extended Spartan-3A families have the DCM and block RAM/Multiplier resources “embedded” in the array, the long routing resources extend across those elements. The Spartan-3A/3AN platforms offer additional routing connections between the block RAM and the multipliers. This additional routing provides a fast path from the block RAM into the multiplier, useful for storing multiplicands in adjacent block RAM. The additional routing also allows Port A of the block RAM to be used in full 36-bit mode even while the adjacent multiplier is used. This is only supported on Port A for the Spartan-3A/3AN platforms. See [“Multiplier/Block RAM Routing Interaction,” page 366](#) for more details. The Spartan-3A DSP platform replaces the multiplier with the DSP48A block. Although the primary global control signals GSR and GTS are identical in functionality for each family, there are different primitives per family. See [“Global Controls,” page 389](#) for more information.

## Switch Matrix

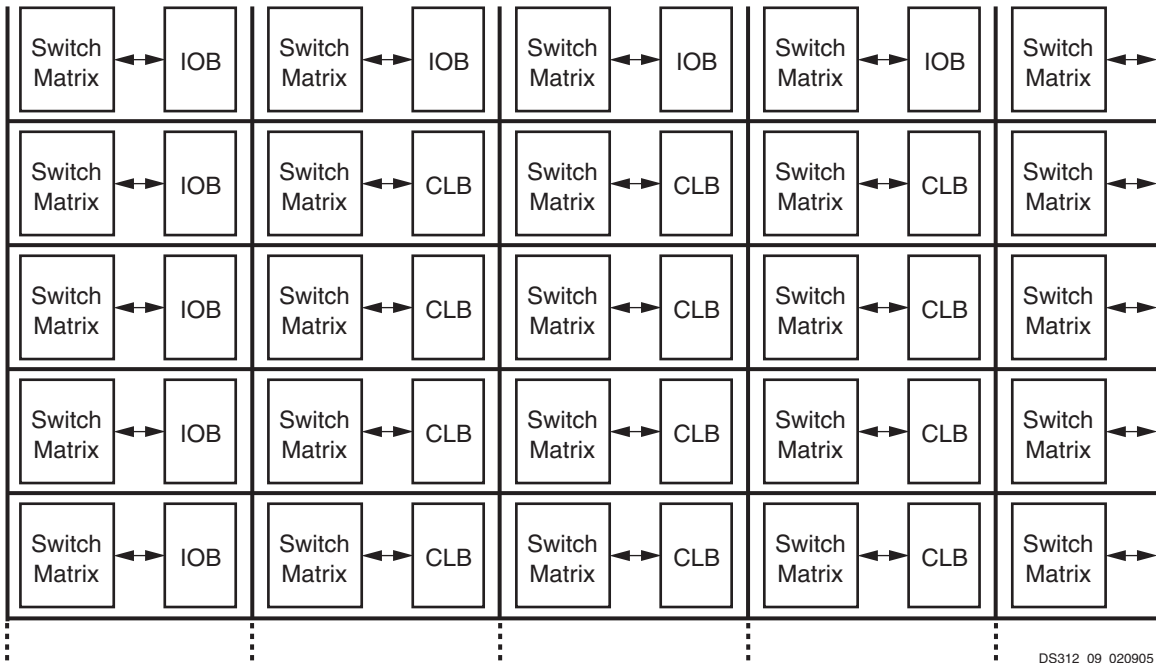
The switch matrix connects to the different kinds of interconnects across the device. An interconnect tile, shown in [Figure 12-1](#), is defined as a single switch matrix connected to a functional element, such as a CLB, IOB, or DCM. If a functional element spans across multiple switch matrices such as the block RAM or multipliers, then an interconnect tile is defined by the number of switch matrices connected to that functional element. A device can be represented as an array of interconnect tiles where interconnect resources are for the

channel between any two adjacent interconnect tile rows or columns as shown in Figure 12-2.



DS312\_08\_020905

Figure 12-1: Four Types of Interconnect Tiles (CLBs, IOBs, DCMs, and Block RAM/Multiplier)



DS312\_09\_020905

Figure 12-2: Array of Interconnect Tiles in an FPGA

The four types of general-purpose interconnect available in each channel, shown in Figure 12-3, are described below.

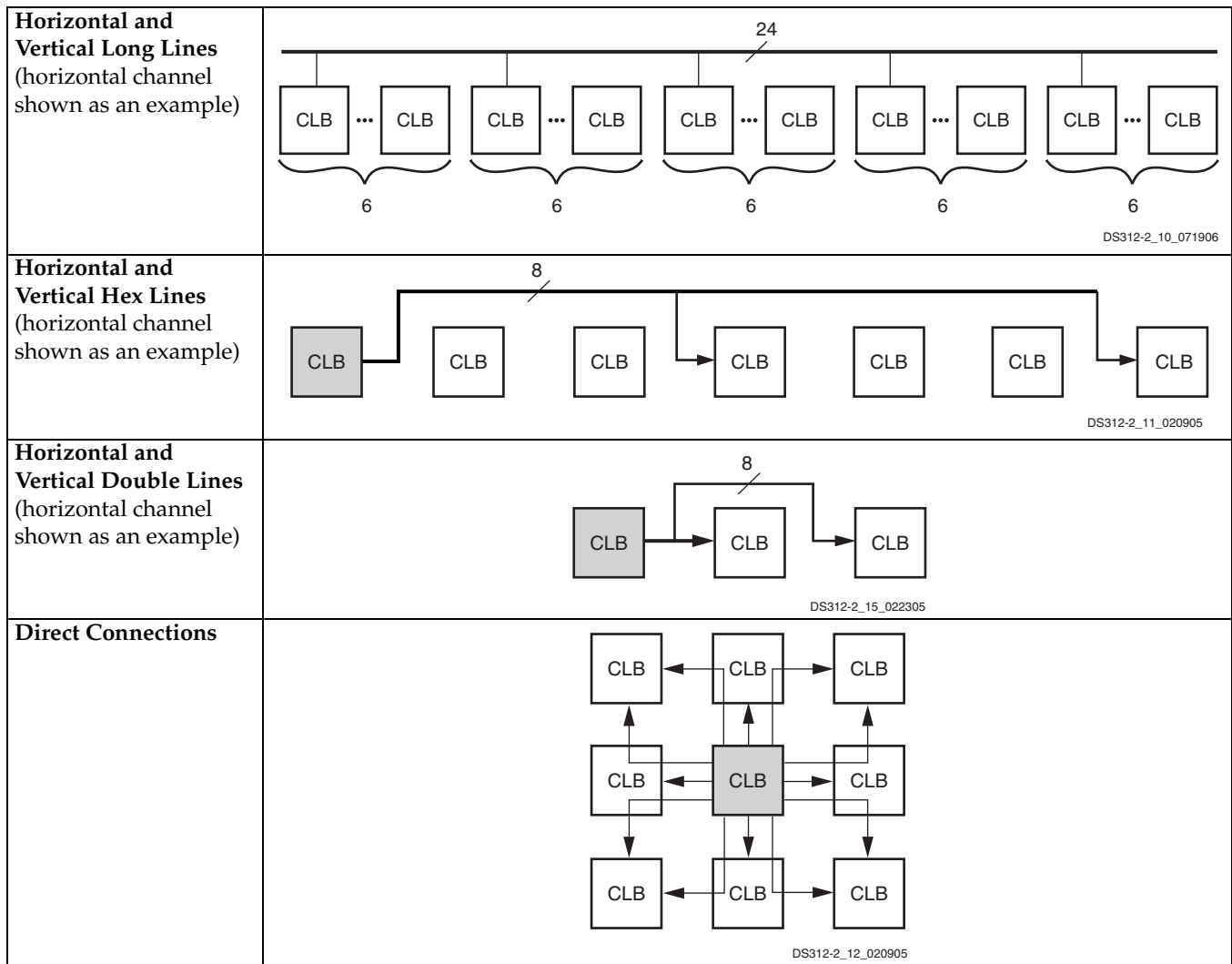


Figure 12-3: Interconnect Types between Two Adjacent Interconnect Tiles

## Long Lines

Each set of 24 long line signals spans the die both horizontally and vertically and connects to one out of every six interconnect tiles. At any tile, four of the long lines drive or receive signals from a switch matrix. Because of their low capacitance, these lines are well-suited for carrying high-frequency signals with minimal loading effects (e.g. skew). If all global clock lines are already committed and additional clock signals remain to be assigned, long lines serve as a good alternative.

## Hex Lines

Each set of eight hex lines are connected to one out of every three tiles, both horizontally and vertically. Thirty-two hex lines are available between any given interconnect tile. Hex lines are only driven from one end of the route.

## Double Lines

Each set of eight double lines are connected to every other tile, both horizontally and vertically, in all four directions. Thirty-two double lines are available between any given interconnect tile. Double lines are more connections and more flexibility, compared to long line and hex lines.

## Direct Connections

Direct connect lines route signals to neighboring tiles: vertically, horizontally, and diagonally. These lines most often drive a signal from a "source" tile to a double, hex, or long line and conversely from the longer interconnect back to a direct line accessing a "destination" tile.

## Viewing Interconnect Details with FPGA Editor

The FPGA Editor can be used to view the interconnect of a blank device or to view the interconnect used in an implemented design. FPGA Editor is a graphical application for displaying and configuring FPGAs. The FPGA Editor requires a Native Circuit Description (.ncd) file. This file contains the logic of your design mapped to components (such as CLBs and IOBs). In addition, the FPGA Editor reads from and writes to a Physical Constraints File (PCF).

The following list summarizes some functions you can perform on your designs in the FPGA Editor:

- Place and route critical components before running the automatic place and route tools.
- Finish placement and routing if the routing program does not completely route your design.
- Add probes to your design to examine the signal states of the targeted device. Probes are used to route the value of internal nets to an IOB for analysis during the debugging of a device.
- Cross-probe your design with Timing Analyzer.
- Run the BitGen program and download the resulting BIT file to the targeted device.
- Create an entire design by hand (advanced users).

To access the FPGA Editor, first run place and route on your design. Then double-click on the **View/Edit Routed Design (FPGA Editor)** process to open FPGA Editor.

For details on using FPGA Editor, see the on-line help within the FPGA Editor application.



## Global Controls

In addition to the general-purpose interconnect, Spartan-3 generation FPGAs have two global logic control signals, as described in [Table 12-1](#).

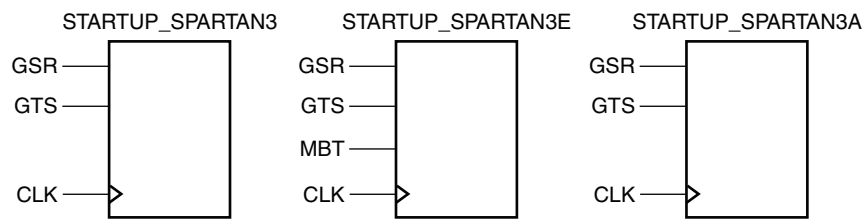
**Table 12-1: Global Logic Control Signals**

| Global Control Input | Description                                                                                                                                                                                                                                                                                                                         |
|----------------------|-------------------------------------------------------------------------------------------------------------------------------------------------------------------------------------------------------------------------------------------------------------------------------------------------------------------------------------|
| GSR                  | <b>Global Set/Reset:</b> When High, asynchronously places all registers and flip-flops in their initial state (see <a href="#">“Initialization,” page 161</a> ). Asserted automatically during the FPGA configuration process (see <a href="#">“Start-Up” in UG332, the <i>Spartan-3 Generation Configuration User Guide</i></a> ). |
| GTS                  | <b>Global Three-State:</b> When High, asynchronously forces all I/O pins to a high-impedance state (Hi-Z, three-state).                                                                                                                                                                                                             |

The Global Set/Reset (GSR) signal replaces the global reset signal included in many ASIC-style designs. Use the GSR control instead of a separate global reset signal in the design to free up CLB inputs, resulting in a smaller, more efficient design. However, the GSR signal always re-initializes every flip-flop. The GSR signal is asserted automatically during the FPGA configuration process, guaranteeing that the FPGA starts-up in a known state.

### STARTUP\_SPARTAN3 Primitives

The GSR and GTS signal sources are defined and connected using a special primitive for each family: `STARTUP_SPARTAN3`, `STARTUP_SPARTAN3E`, or `STARTUP_SPARTAN3A` (used for Spartan-3A, Spartan-3AN, and Spartan-3A DSP FPGAs). GSR and GTS are active during configuration, and connecting signals to them on the `STARTUP` primitive defines how they are controlled after configuration. By default, they are disabled on a selected clock cycle of the start-up phase, enabling the flip-flops and I/Os in the device. The primitives also include one or two other signals used specifically during configuration. Each family has a `CLK` input that is an alternate clock for the start-up process (see the [“Sequence of Events” chapter in UG332, \*Spartan-3 Generation Configuration User Guide\*](#)). The Spartan-3E family has an additional input `MBT` for the MultiBoot Trigger (see the [“Reconfiguration and MultiBoot” chapter in UG332, \*Spartan-3 Generation Configuration User Guide\*](#)).



UG331\_c14\_04\_071906

**Figure 12-4: STARTUP Primitives for Spartan-3 Generation FPGAs**

## Summary

The flexible interconnect resources of the Spartan-3 generation FPGA families allow efficient implementation of almost any configuration of the logic and I/O resources. The Xilinx ISE software automatically places and routes designs to take best advantage of these resources. Customers can control the usage of the global clock signals by the use of global clock buffers. The global set/reset and global three-state signals are controlled by the use of the STARTUP component.



## *Section II: Design Software*

*“Using ISE Design Tools”*

*“Using IP Cores”*

*“Embedded Processing and Control Solutions”*



# Using ISE Design Tools

---

## Summary

Software is critical to the effective use of programmable logic. The Spartan®-3 generation is supported by the complete set of Xilinx Integrated Software Environment (ISE®) design tools, with additional support available from a variety of partners. This chapter provides an overview of those design tools. It is intended primarily for the user who is new to the Xilinx development system. This chapter can be used to get a better understanding of the specific tools mentioned elsewhere in the Spartan-3 generation literature. The first half provides an overview of the general design flow, while the second half describes the specific tools used at the different steps in the flow. Use the Xilinx development system documentation for detailed information and introductory tutorials:

[http://www.xilinx.com/support/software\\_manuals.htm](http://www.xilinx.com/support/software_manuals.htm)

This chapter applies to all Spartan-3 generation FPGA families: Spartan-3, Spartan-3E, Spartan-3A, Spartan-3AN, and Spartan-3A DSP FPGA platforms.

## Introduction

Combined with the Spartan-3 generation FPGA family, the ISE optimized design tools help you finish faster and lower your project costs. The ISE package is a collection of Xilinx software design tools that concentrate on delivering the most productivity available for your Spartan-3 generation logic performance. With ProActive Timing Closure technology, you get the fastest runtimes in programmable logic ensuring you reach your performance goals quicker. Incremental Design delivers faster re-compile times with guaranteed performance, and the optional Xilinx ChipScope™ Pro verification tools provide real-time debug with advantages that are not possible in ASIC designs. The ISE development system makes sure you get through the logic design process faster, saving both time and project costs, and getting you to market ahead of your competition.

## Design Flow

The standard design flow for Spartan-3 generation FPGAs consists of the following three major steps. The entire design implementation flow is run simply by selecting the desired result in the Xilinx Graphical User Interface (GUI). The tools automatically determine which programs and files are needed to bring the appropriate output up to date.

1. Design Entry and Synthesis

In this step of the design flow, you create your design using a Xilinx-supported schematic editor, a Hardware Description Language (HDL) for text-based entry, or both. If you use an HDL for text-based entry, you must synthesize the HDL file into an industry-standard Electronic Data Interchange Format (EDIF) file. If you use the Xilinx

Synthesis Technology (XST) tool, a Xilinx-specific NGC netlist file is created, which can be converted to an EDIF file.

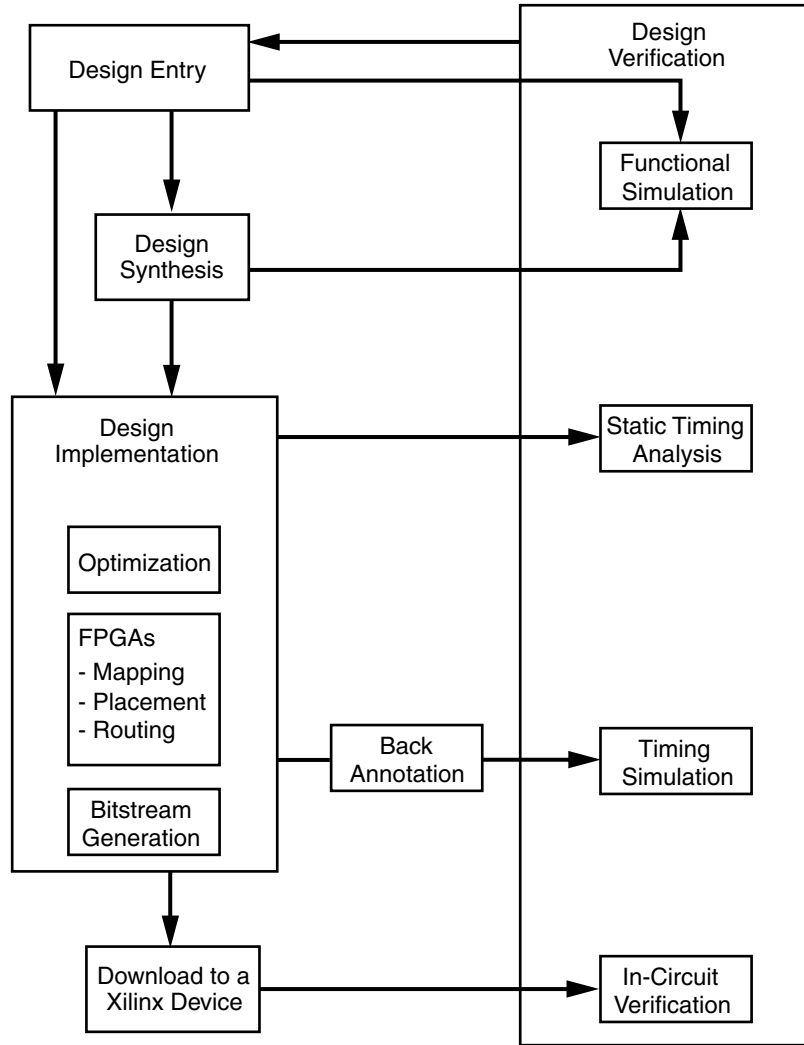
## 2. Design Implementation

By implementing the specific Xilinx Spartan-3 generation architecture, you convert the logical design file format, such as EDIF, that you created in the design entry or synthesis stage into a physical file format. The physical information is contained in the Native Circuit Description (NCD) file. Then you create a bitstream file from these files and optionally program a PROM for subsequent programming of your Spartan-3 generation device.

## 3. Design Verification

Using a gate-level simulator, you ensure that your design meets your timing requirements and functions properly. In-circuit verification can be performed by downloading your design to the device using Xilinx iMPACT Programming Software. Design verification can begin immediately after design entry and can be repeated after various steps of design implementation.

[Figure 13-1](#) shows the general overall design flow for Spartan-3 generation FPGAs.



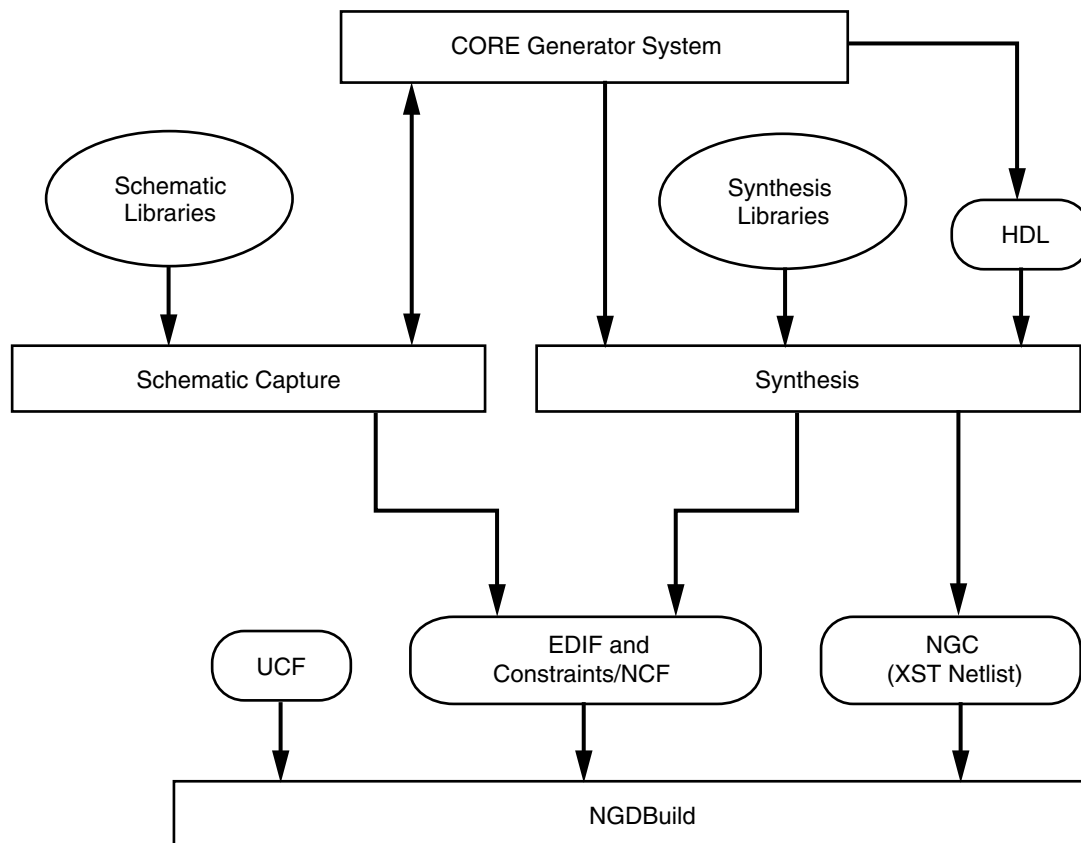
x473\_01\_062103

Figure 13-1: Design Flow

## Design Entry and Synthesis

You can enter a design with a schematic editor or a text-based tool for HDL code. Design entry begins with a design concept, expressed as a drawing or functional description. From the original design, a generic EDIF netlist is created, then synthesized and translated into a Xilinx netlist file. This file is fed into a program called NGDBuild, which produces a logical Native Generic Database (NGD) file. Xilinx libraries provide access to features specific to the Spartan-3 generation architecture.

Figure 13-2 shows the design entry and synthesis flow.



x473\_02\_061703

Figure 13-2: Design Entry and Synthesis Flow

## Hierarchical Design

Design hierarchy is important in both schematic and HDL entry for the following reasons:

- Helps you conceptualize your design
- Adds structure to your design
- Promotes easier design debugging
- Makes it easier to combine different design entry methods (schematic, HDL, or state editor) for different parts of your design
- Makes it easier to design incrementally, which consists of designing, implementing, and verifying individual parts of a design in stages
- Reduces optimization time
- Facilitates concurrent design, which is the process of dividing a design among a number of people who develop different parts of the design in parallel, such as in Modular Design

Xilinx strongly recommends that you name the components and nets in your design. These names are preserved and used by the Xilinx tools. These names are also used for back-annotation and appear in the debug and analysis tools. If you do not name your components and nets, the tools automatically generate the names, making it difficult to analyze circuits.



## Schematic Entry

Schematic tools provide a graphical interface for design entry. You can use these tools to connect symbols representing the logic components in your design. You can build your design with individual gates, or you can combine gates to create functional blocks.

Primitives and macros are the “building blocks” of a device library. The Xilinx Spartan-3 generation libraries provide primitives as well as common high-level macro functions, all optimized for the Spartan-3 generation architecture. Primitives are basic circuit elements, such as AND and OR gates, and special device resources, such as the DCM and block RAM. Each primitive has a unique library name, symbol, and description.

Macros contain multiple library elements, which can include primitives and other macros. Soft macros have pre-defined functionalities, but have flexible mapping, placement, and routing. Relationally Placed Macros (RPMs) have fixed mapping and relative placement. Macros are not available for synthesis because synthesis tools have their own module generators and do not require RPMs. If you wish to override the module generation, you can instantiate Xilinx-provided CORE Generator™ modules, which include pre-built optimization for the Spartan-3 generation architecture. For most leading-edge synthesis tools, this is not needed unless it is for a module that cannot be inferred.

## HDL Entry and Synthesis

A typical Hardware Description Language (HDL) supports a mixed-level description in which gate and netlist constructs are used with functional descriptions. This mixed-level capability enables you to describe system architectures at a high level of abstraction, then incrementally refine a design’s detailed gate-level implementation. HDL descriptions offer the following advantages:

- You can verify design functionality early in the design process. A design written as an HDL description can be simulated immediately. Design simulation at this high level — at the gate-level before implementation — allows you to evaluate architectural and design decisions.
- An HDL description is more easily read and understood than a netlist or schematic description. HDL descriptions provide technology-independent documentation of a design and its functionality. Because the initial HDL design description is technology independent, you can use it again to generate the design in a different technology, without having to translate it from the original technology.
- Large designs are easier to handle with HDL tools than schematic tools.

After creating your HDL design, you must synthesize it. During synthesis, behavioral information in the HDL file is translated into a structural netlist, and the design is optimized for the Spartan-3 generation architecture. Xilinx supports HDL synthesis tools for several third-party synthesis vendor partners. In addition, Xilinx offers its own synthesis tool, Xilinx Synthesis Technology (XST).

Functional simulation tests the logic in your design to determine if it works properly. You can save time during subsequent design steps if you perform functional simulation early in the design flow.

Although HDL entry offers the advantage of technology independence, it is helpful to understand the available resources in the Spartan-3 generation architecture and design to take advantage of those resources. For example, the abundance of registers at every I/O and following every look-up table encourages pipelining. Most synthesis tools automatically infer Xilinx-specific resources and optimize for the architecture. Simple

ways to specify implementation requirements are to instantiate Spartan-3 generation library components or add constraints.

## Constraints

You might want to constrain your design within certain timing or placement parameters to specify your required pin locations or timing requirements. You can specify logic mapping, block placement, and timing specifications. Constraints can be entered as parameters or attributes on library components. You can enter constraints by hand or use one of several graphical tools for generating constraint files and evaluating the results. Constraints found in the design are written to an NCF file (Netlist Constraints File). Constraints created separately are written to a UCF file (User Constraints File).

## Design Implementation

Design Implementation begins with the translating and then mapping of a logical design file to a specific Spartan-3 generation device. It is complete when the physical design is successfully routed and a bitstream is generated. You can alter constraints during implementation in the same way as during the Design Entry step.

[Figure 13-3](#) shows an overall view of the design implementation flow for Spartan-3 generation FPGAs.

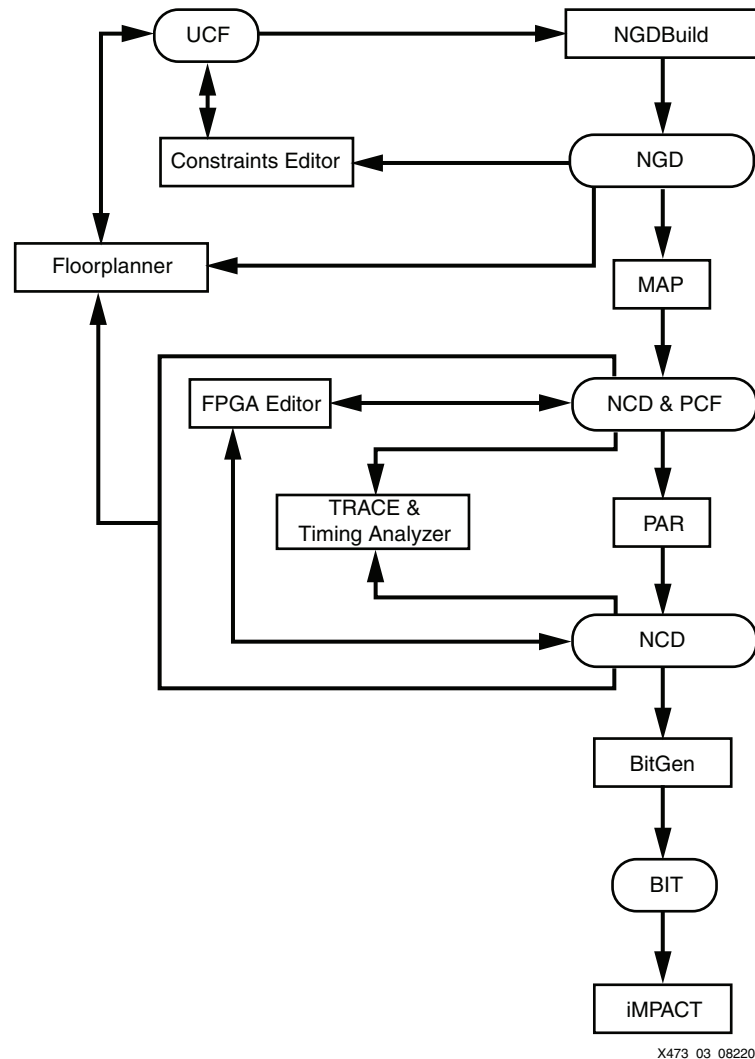


Figure 13-3: Design Implementation Flow

## Translating

NGDBuild performs all the steps necessary to read a netlist file in EDIF or NGC format and create an NGD file describing the logical design. A logical design is in terms of logic elements, such as AND gates, OR gates, decoders, flip-flops, and RAMs. The NGD file resulting from an NGDBuild run contains both a logical description of the design reduced to Xilinx primitives and a description in terms of the original hierarchy expressed in the input netlist. The output NGD file then can be mapped to the Spartan-3 generation resources.

NGDBuild performs the following steps to convert a netlist to an NGD file:

1. Reads the source netlist(s). NGDBuild invokes the Netlist Launcher. The Netlist Launcher determines the type of the input netlist and starts the appropriate netlist reader program. The netlist readers incorporate NCF files associated with each netlist. NCF files contain timing and layout constraints for each module.

2. Reduces all components in the design to NGD primitives. NGDBuild merges components that reference other files. NGDBuild also finds the appropriate system library components, physical macros, and behavioral models.
3. Checks the design by running a Logical Design Rule Check (DRC) on the converted design. The Logical DRC is a series of tests on the logical design.
4. Writes an NGD file as output.

## Mapping

The MAP program maps a logical design to a Spartan-3 generation FPGA. The input to MAP is an NGD file, which contains a logical description of the design in terms of both the hierarchical components used to develop the design and the lower-level Xilinx primitives. Additionally, it contains any number of hard placed-and-routed physical macro files. MAP then maps the logic to the components (logic cells, I/O cells, and other components) in the Spartan-3 generation architecture. The output design is a Native Circuit Description (NCD) file, which is a physical representation of the design mapped to the components in the Spartan-3 generation architecture. The NCD file then can be placed and routed.

MAP performs the following steps when mapping a design:

1. Selects the target Xilinx device, package, and speed.
2. Reads the information in the input design file.
3. Performs a Logical DRC (Design Rule Check) on the input design. If any DRC errors are detected, the MAP run is aborted. If any DRC warnings are detected, the warnings are reported, but MAP continues to run.
4. Removes unused logic, where all unused components and nets are removed.
5. Maps pads and their associated logic into IOBs.
6. Maps the logic into Xilinx components (IOBs, CLBs, etc.). If any Xilinx mapping control symbols appear in the design hierarchy of the input file, MAP uses the existing mapping of these components in preference to re-mapping them. The mapping is influenced by various constraints.
7. Updates the information received from the input NGD file and writes this updated information into an NGM file. This NGM file contains both logical information about the design and physical information about how the design was mapped. The NGM file is used only for back-annotation.
8. Creates a physical constraints (PCF) file. This text file contains any constraints specified during design entry. If no constraints were specified during design entry, an empty file is created so that you can enter constraints directly into the file using a text editor.
9. Runs a physical Design Rule Check (DRC) on the mapped design. If DRC errors are found, MAP does not write an NCD file.
10. Creates an NCD file, which represents the physical design. The NCD file describes the design in terms of Xilinx components (CLBs, IOBs, and so forth).
11. Writes a MAP report (MRP) file, which lists any errors or warnings found in the design, details how the design was mapped, and supplies statistics about component usage in the mapped design.

## Placing and Routing

After creating a mapped NCD file, you can place and route the file using the automatic Place And Route (PAR) tool. PAR accepts an NCD file as input, places and routes the design, and outputs an NCD file to be used by the bitstream generator (BitGen). You can use the output NCD file as a guide file for additional runs of PAR after making minor changes to your design.

PAR places and routes a design based on the following considerations:

- **Cost-Based:** Placement and routing are performed using various cost tables that assign weighted values to relevant factors such as constraints, length of connection, and available routing resources.
- **Timing-Driven:** The Xilinx timing analysis software enables PAR to place and route a design based upon your timing constraints.

### Placing

The PAR placer executes multiple phases of the placer. PAR writes the NCD after all the phases are completed. During placement, PAR places components into sites based on factors such as constraints specified in the PCF file, the length of connections, and the available routing resources. Timing-driven placement is automatically invoked if PAR finds timing constraints in the physical constraints file.

### Routing

The next stage is routing the placed design. PAR writes the NCD file when the design is fully routed. At this point the design can be analyzed against timing. A new NCD is written as the routing improves. The router performs a procedure to converge on a solution that routes the design to completion and meets timing constraints. Timing-driven routing is automatically invoked if PAR finds timing constraints in the physical constraints file.

### Floorplanning

Floorplanning is the process of specifying user placement constraints. The Pinout and Area Constraint Editor (PACE) and Floorplanner tools provide a graphical view of placement, while the FPGA Editor provides a graphical view of both placement and routing. Both tools can be used before or after PAR to analyze or constrain the design.

## Bitstream Generation

After the design has been completely routed, it is necessary to configure the device so that it can execute the desired function. This configuration is done using files generated by BitGen, the Xilinx bitstream generation program. BitGen takes a fully routed NCD file as its input and produces a configuration bitstream (binary BIT file).

The BIT file contains all of the configuration information from the NCD file defining the internal logic and interconnections of the Spartan-3 generation FPGA, plus device-specific information from other files associated with the target device. The binary data in the BIT file then can be downloaded into the FPGA memory cells or it can be used to create a PROM file.

## Design Verification

Design verification is the process of testing the functionality and performance of your design. You can verify Xilinx designs in the following ways:

- Simulation (functional and timing using back-annotation)
- Static timing analysis
- In-circuit verification

Design verification procedures should occur throughout your design process, as shown in Figure 13-4.

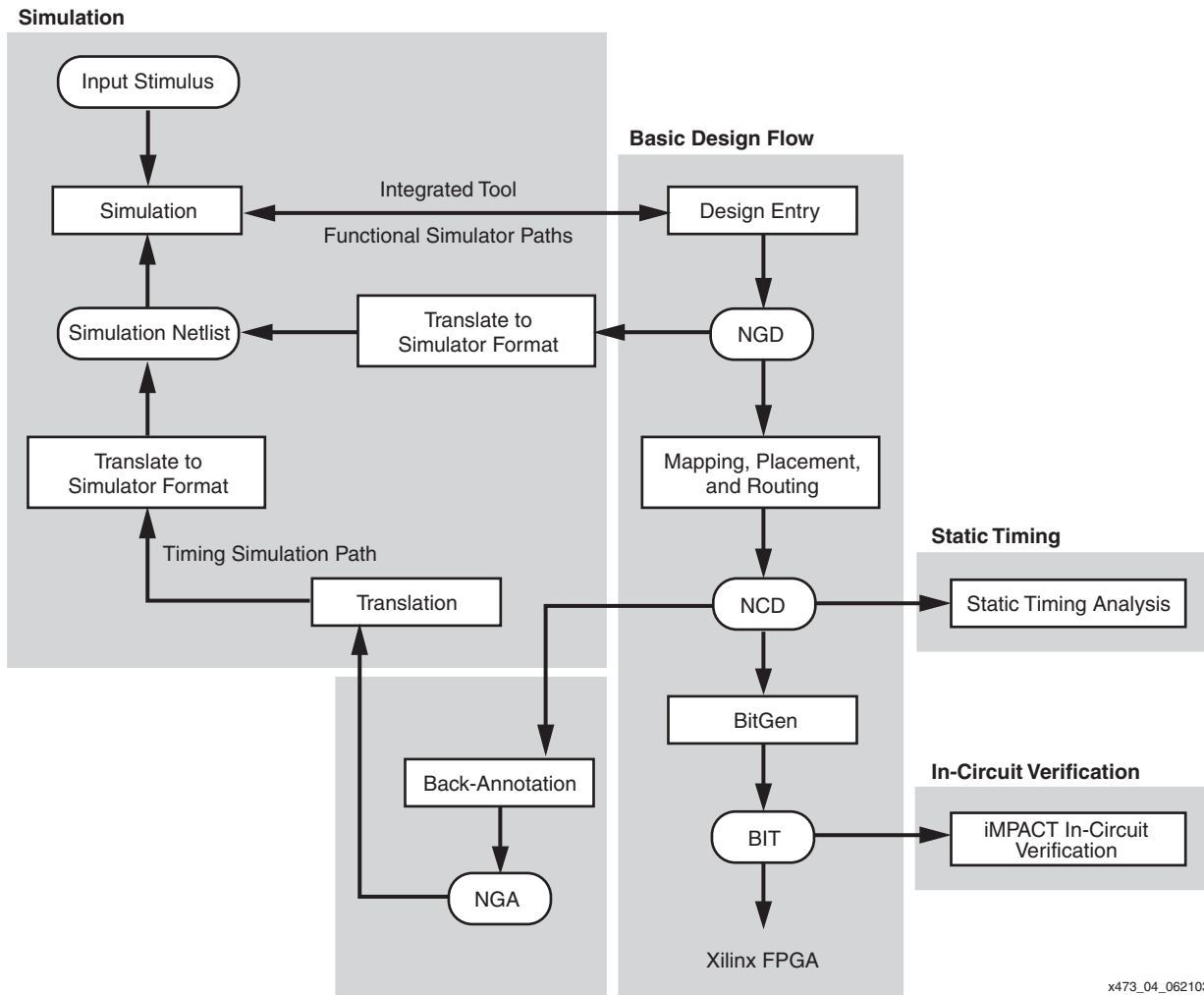


Figure 13-4: Design Verification Flow

## Simulation

Design simulation involves testing your design using software models. It is most effective when testing the functionality of your design and its performance under worst-case conditions. You can easily probe internal nodes to check your circuit's behavior, and then use these results to make changes in your design. Simulation is performed using Xilinx or third-party tools that are linked to the Xilinx Development System. The software models provided for your simulation tools are designed to perform detailed characterization of your design. You can perform functional or timing simulation.

## Functional Simulation

Functional simulation determines if the logic in your design is correct before you implement it in a device. Functional simulation can take place at the earliest stages of the design flow. Because timing information for the implemented design is not available at this stage, the simulator tests the logic in the design using unit delays.

## Timing Simulation

Timing simulation verifies that your design runs at the desired speed for your device under worst-case conditions. This process is performed after your design is mapped, placed, and routed. At this time, all design delays are known. Timing simulation is valuable because it can verify timing relationships and determine the critical paths for the design under worst-case conditions. It also can determine whether or not the design contains setup or hold violations. Before you can simulate your design, you must go through the back-annotation process, as described below. During this process, the Xilinx netlist writers create suitable formats for various simulators.

Note that naming the nets during your design entry is important for both functional and timing simulation because it allows you to find the nets in the simulations more easily than looking for a software-generated name.

## Back-Annotation

Before timing simulation can occur, the physical design information must be translated and distributed back to the logical design. This back-annotation process is done with a program called NGDAnno. These programs create a database for the netlist writers, which translate the back-annotated information into a netlist format that can be used for timing simulation.

NGDAnno is a command line program that distributes information about delays, setup and hold times, clock to out, and pulse widths found in the physical NCD design file back to the logical NGD file. NGDAnno reads an NCD file as input. The NCD file can be a mapped-only design, or a partial or fully placed and routed design. An NGM file, created by MAP, is an optional source of input. NGDAnno merges mapping information from the NGM file with placement, routing, and timing information from the NCD file. NGDAnno outputs a Native Generic Annotated (NGA) file, which is a back-annotated NGD file. This file is input to the appropriate netlist writer, which converts the binary Xilinx database format back to an ASCII netlist.

Netlist Writers (NGD2EDIF, NGD2VER, or NGD2VHDL) take the output of NGDAnno and create a simulation netlist in the specified format. An NGD or NGA file is input to each of the netlist writers. The NGD file is a logical design file containing primitive components, while the NGA file is a back-annotated logical design file.

## Static Timing Analysis

Static timing analysis is best for quick timing checks of a design after it is placed and routed. It also allows you to determine path delays in your design. Following are the two major goals of static timing analysis:

- Timing verification is the process of verifying that the design meets your timing constraints.
- Reporting is the process of enumerating input constraint violations and placing them into an accessible file. You can analyze partially or completely placed and routed designs. The timing information depends on the placement and routing of the input design.

You can run static timing analysis using the Timing Reporter And Circuit Evaluator (TRACE) program, which is accessible through the Timing Analyzer GUI. Use either tool to evaluate how well the place and route tools met the input timing constraints.

## In-Circuit Verification

As a final test, you can verify how your design performs in the target application. In-circuit verification tests the circuit under typical operating conditions. Because you can program your Xilinx devices repeatedly, you can easily load different iterations of your design into your device and test it in-circuit. To verify your design in-circuit, download your design bitstream into a device using the iMPACT programming software with the Parallel Cable IV or Platform Cable USB.

# ISE Development Environment

## Introduction to ISE Tools

Xilinx development systems are available in a number of easy to use configurations, collectively known as the Integrated Software Environment (ISE) Series. Creating Spartan-3 generation designs is easy with Xilinx ISE development systems, which support advanced design capabilities, including ProActive Timing Closure, integrated logic analysis, and the fastest place and route runtimes in the industry. ISE solutions enable designers to get the performance they need, quickly and easily.

**Note:** To get the full details on ISE tools for Spartan-3 generation devices, go to [http://www.xilinx.com/ise/ise\\_promo/ise\\_spartan3.htm](http://www.xilinx.com/ise/ise_promo/ise_spartan3.htm).

Project Navigator is the user interface that helps you manage the entire design process including design entry, simulation, synthesis, implementation and finally configuration of your device.

The following is an outline of the features offered in the ISE tools:

### Design Entry

- HDL Editor
- Schematic Editor - Engineering Capture System (ECS)
- CORE Generator system

### Synthesis

- XST - Xilinx Synthesis Technology
- Integration with Precision synthesis from Mentor Graphics
- Integration with Synplify/Pro and Amplify synthesis from Synplicity

### Simulation

- ISE Simulator
- Integration with ModelSim Simulator from Model Technology

### Implementation

- Translate



- Map
- Place and Route (PAR)
- Floorplanner
- FPGA Editor
- Timing Analyzer
- XPower Power Analysis

## Device Download

- BitGen Bitstream Generator
- iMPACT Configuration Tool
- ChipScope Pro Logic Analyzer

## ISE Versions

The ISE development systems are available in the following configurations.

- ISE WebPACK™ Tool

The ISE WebPACK tool is the easiest development system to get. This free tool is downloadable from the Xilinx website at: (<http://www.xilinx.com/webpack>).

ISE WebPACK software combines support for advanced HDL entry, synthesis, and verification capabilities for all Xilinx CPLDs and lower-density FPGAs. All Spartan-3 generation FPGA families are supported. The original Spartan-3 family is supported up to the XC3S1500 density, while all densities are supported for the Spartan-3E and Spartan-3A/3AN families.

- ISE Foundation™ Tool

The ISE Foundation tool is a complete, ready-to-use design environment that integrates schematic, synthesis, and verification technologies into an intuitive, yet highly advanced design solution. The tool has full device support as well as the full suite of tools. See more information at

[http://www.xilinx.com/ise/logic\\_design\\_prod/foundation.htm](http://www.xilinx.com/ise/logic_design_prod/foundation.htm)

To see a table comparison of these versions, see the Development Systems Overview at [http://www.xilinx.com/ise/devsys\\_feature\\_guide.pdf](http://www.xilinx.com/ise/devsys_feature_guide.pdf).

Development system updates are provided on a regular basis. These are available as Service Packs that can be downloaded from the Xilinx website

(<http://www.xilinx.com/support/download/index.htm>). Always use the latest development system update for the best results.

## Project Navigator

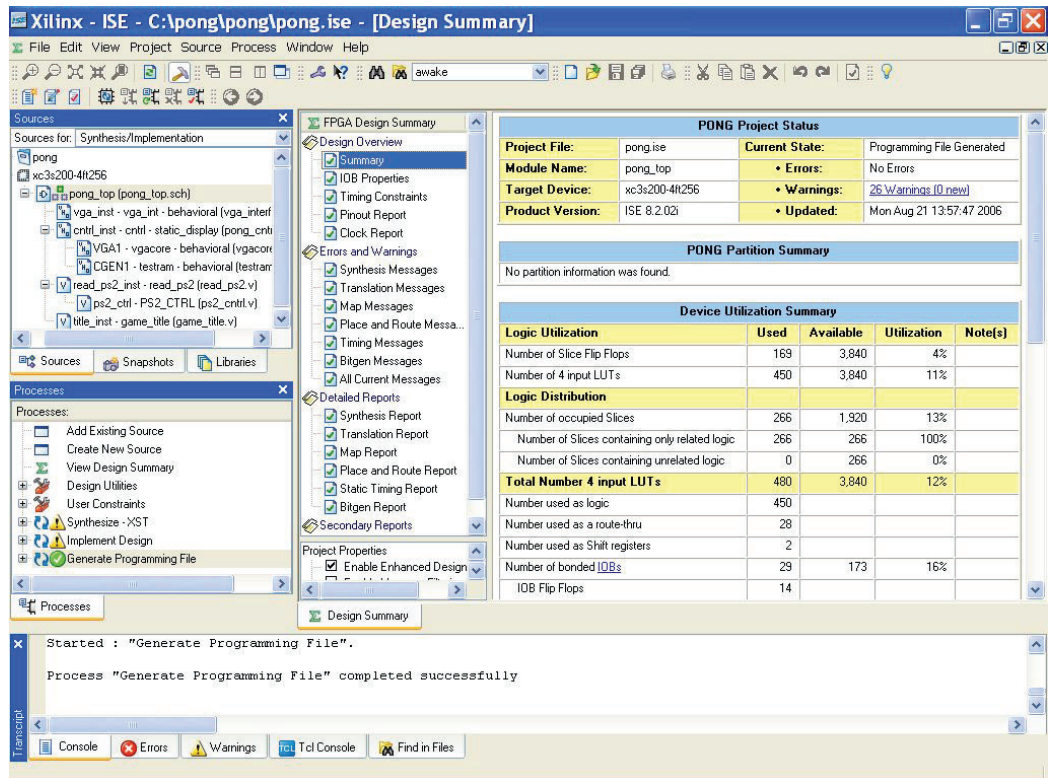
Project Navigator is the primary user interface for the Xilinx ISE tools. You can create, define, and compile your Spartan-3 generation design using a suite of tools accessible from Project Navigator. Each step of the design process, from design entry to downloading the design to the device, is managed from Project Navigator as part of a project. These include:

- Design Entry
- Constraint Entry
- Synthesis
- Simulation

- Implementation
- Device Programming

## Project Navigator Main Window

The Project Navigator workspace is made up of a title bar, a status bar, a menu bar, toolbars, and windows.



X473\_05\_082206

Figure 13-5: Project Navigator Main Window

## Project

The ISE development system organizes and tracks your design as a project. A project is a collection of all files necessary to create and download your design to the selected device. The following information is required for each project:

- A unique project name
- A specified target device family (architecture)
- A specified target device
- A specified design flow

Each project has a directory, device family, device, and design flow associated with it as project properties. The project properties enable Project Navigator to display and run only those processes appropriate for the targeted device and design flow.

## Sources

A source is any element that contains information about a design. In Project Navigator, you can create and add sources to your project. Each project can contain many sources, each one representing a different part of the overall design. Sources can include the description of circuits (as represented by schematics and hardware description language files), state diagrams, simulation models, test files, and documentation of the design.

## Source Hierarchy

One source file in a project is the top-level source for the design. The top-level source defines the inputs and outputs to be mapped into the device, and references the logic descriptions contained in lower-level sources in a hierarchical design. A project must contain at least one source as the top-level source. All source files and their accompanying icons are displayed in the Sources in Project window below the project file.

The term instantiation describes when one source references another. Lower-level sources also can instantiate sources to build as many levels of logic hierarchy as necessary to describe your design.

Valid top-level source types include the following:

- Schematics
- HDL files (VHDL or Verilog)
- EDIF

For more information on the Project Navigator, see

[http://www.xilinx.com/products/design\\_tools/logic\\_design/design\\_entry/projnav.htm](http://www.xilinx.com/products/design_tools/logic_design/design_entry/projnav.htm).

## ISE Tools

The ISE development system includes a number of individual tools and capabilities that can be accessed standalone or within the Project Navigator.

### Engineering Capture System (ECS)

The Engineering Capture System (ECS) allows you to create, view, and edit schematics and symbols. You can use ECS to create a top-level schematic and use any of the following to define the lower levels of the design: ECS, CORE Generator System, or HDL code. Then you can translate the schematics created by ECS to a structural HDL for simulation and synthesis, or use the schematics solely for documentation purposes.

### HDL Editor

The HDL Editor is a text editor designed especially for editing HDL source files. In addition to regular editing features, the editor provides syntax coloring. The syntax-coloring feature supports both VHDL and Verilog. The HDL Editor operates as a standard text editor as well. The ISE HDL Editor provides optimized, ready-to-use language and synthesis templates for easy insertion into an HDL source file.

### Xilinx Synthesis Technology (XST)

Xilinx Synthesis Technology (XST) provides cutting edge design optimization techniques from a Xilinx-developed synthesis tool. XST supports the Verilog and VHDL design languages. RTL Viewer displays the results of XST synthesis in a schematic view.

For more information on XST, see  
[http://www.xilinx.com/products/design\\_tools/logic\\_design/synthesis/xst.htm](http://www.xilinx.com/products/design_tools/logic_design/synthesis/xst.htm).

## HDL Advisor

The HDL Advisor gives advisory messages in the XST synthesis report files. The messages are designed to make suggestions on how code can be changed to reduce design size and meet timing requirements. These HDL advisors allow designers to produce better code earlier, reducing design time, and resulting in better space utilization in the Spartan-3 generation FPGA.

## Partner Tools

The Xilinx tools provide easy integration with third-party tools, including Precision synthesis from Mentor Graphics and Synplify/Pro and Amplify synthesis from Synplicity. These tools can be purchased separately from the vendor.

ModelSim simulators from Model Technology can provide the simulation functions for an ISE development system. ModelSim Xilinx Edition III (MXE-III) is available as an option from Xilinx. It offers a complete PC HDL simulation environment that enables you to verify the HDL source code as well as the functional and timing models of your designs.

## Intellectual Property (IP)

Get to market faster and less expensively using the latest pre-verified, pre-optimized Intellectual Property (IP) cores, reference designs, and design services for Xilinx FPGAs. Xilinx-created LogiCORE™ products form the most successful core program in the programmable logic industry, including PCI bus interfaces and MicroBlaze™ soft processors. As a result, Xilinx has gained considerable experience developing and selling cores, and servicing FPGA core customers. Through the AllianceCORE program, Xilinx is expanding the availability of quality cores for programmable logic by sharing what has been learned with leading third-party core developers. The AllianceCORE program is a cooperative effort between Xilinx and independent third-party core developers. It is designed to produce a broad selection of industry-standard solutions dedicated for use in Xilinx programmable logic. Xilinx also provides many reference designs and design examples provided “as-is” to help get you started with your own designs.

## CORE Generator System

The Xilinx CORE Generator System provides a catalog of ready-made functions, ranging in complexity from simple arithmetic operators like adders, accumulators, and multipliers, to system-level building blocks such as filters, transforms, and memory resources. Cores are organized by functional type into folders that expand or contract on demand.

The Xilinx CORE Generator System produces an EDIF netlist, schematic symbol, Verilog template file with a Verilog wrapper file, and a VHDL template file with a VHDL wrapper file. The Electronic Data Netlist (EDN) file contains the information for implementing the module. The template files contain code that can be used as a model to instantiate a CORE Generator module in a Verilog or VHDL design so that it can be simulated and integrated into a design.

For more information on the CORE Generator system, see  
[http://www.xilinx.com/products/design\\_tools/logic\\_design/design\\_entry/coregenerator.htm](http://www.xilinx.com/products/design_tools/logic_design/design_entry/coregenerator.htm).

## System Generator for DSP

The System Generator for DSP software enables electronic designs to be created, tested, and translated into hardware for Spartan-3 generation FPGAs. The tool extends Simulink (from The MathWorks, Inc.) to support bit- and cycle-accurate system-level simulation, and automatic code generation for Xilinx FPGAs. System Generator co-simulation interfaces extend Simulink to incorporate FPGA hardware and HDL simulation into the system-level environment as naturally as other library blocks. System Generator presents a high-level and abstract view of the design, but also exposes key features in the underlying silicon, making it possible to build extremely high-performance FPGA implementations.

For more information on System Generator for DSP, see [http://www.xilinx.com/ise/optional\\_prod/system\\_generator.htm](http://www.xilinx.com/ise/optional_prod/system_generator.htm).

## Embedded Development Kit and Platform Studio

The Embedded Development Kit (EDK) bundle is an integrated software solution for designing embedded processing systems. This preconfigured kit includes the award-winning Platform Studio tool suite as well as all the documentation and IP required for designing Xilinx Platform FPGAs with embedded MicroBlaze soft processor cores. In addition to the flexible MicroBlaze 32-bit soft processors, Xilinx processing solutions include small footprint PicoBlaze™ 8-bit soft processors, along with a broad range of IP and processing peripherals with robust third-party ecosystem support.

For more information on the Embedded Development Kit and Platform Studio, see <http://www.xilinx.com/edk>.

## Clocking Wizard

To reduce the complexities of new device technologies like Digital Clock Managers (DCM), ISE tools include Architecture Wizards, allowing users access through an intuitive easy-to-use dialog. Through the use of the ISE Architecture Wizards, designers can access these leading edge technologies quickly by creating the component through a push-button flow rather than learning all the attributes in HDL. Then the component simply can be instantiated in the user's design by copying the instantiation template created by the Architecture Wizard. The Clocking Wizard supports all the capabilities of the Spartan-3 generation DCMs.

## Data2MEM Tool

Data2MEM is fundamentally a data translation tool. It translates contiguous fragments of data into the proper initialization records for Block RAMs. It automates distribution of that data across multiple physical Block RAMs that constitute a contiguous logical data space. Data2MEM is also a simplified means for initializing block RAMs.

## Automatic Implementation Tools

The automatic implementation tools (synthesis, translation, mapping, placement, and routing) provide the best results for any design. ProActive Timing Closure technologies deliver the industry's highest performance in programmable logic designs, quickly and efficiently. The technologies include:

- Physical Synthesis
  - ◆ Includes place and route information to work on the real critical paths first
  - ◆ Achieves better quality of results of 5 to 20%

- ◆ Supported through Synplicity's Amplify, Mentor Graphic's Time Closer, and Xilinx's own XST synthesis tool
- ◆ Timing optimization prior to physical place and route
- Macro Builder
  - ◆ Lets you freeze placement information for a given design
  - ◆ You can then re-use that macro in future designs using relative placement
  - ◆ Performance preservation
- Advanced Place and Route Algorithms
  - ◆ Critical Path Placement first
  - ◆ Xplorer script automates multiple implementation runs
  - ◆ Directed Routing that lets the designer specify routing with IP
- Timing Improvement Wizard
  - ◆ Interactively helps designer improve design
  - ◆ Click on a timing problem and receive suggestions that can improve design timing
- Timing Cross-Probing
  - ◆ Decreases debug time by cross-probing from the timing report directly to Floorplanner
  - ◆ Click on the error, path, or net in the timing report and instantly see it in Floorplanner or Synthesis Source Tool
- HDL Advisors
  - ◆ Included in XST synthesis reports, clicking on an error or warning suggests changes to HDL to improve the implementation

## Incremental Design

Incremental Design gets your overall design to market faster by minimizing the impact from late-arriving design changes. The Incremental Design flow facilitates more debug cycles in a day when making small design changes. A designer quickly and easily can floorplan design areas along hierarchy boundaries, and then finish the design as normal. Later, if a design change is required, Incremental Design ensures that only the area of the design change need be re-implemented; the rest of the design stays locked and intact, delivering overall design completion faster.

For more information on Incremental Design, see

[http://www.xilinx.com/products/design\\_tools/logic\\_design/advanced/incrementaldesign.htm](http://www.xilinx.com/products/design_tools/logic_design/advanced/incrementaldesign.htm).

## Modular Design

Modular Design lets you implement a “divide and conquer” approach to multi-million gate FPGA designs. Partitioning a design into smaller functional modules reduces the complexities of design, implementation, and verification. These design modules then can be brought through the design flow independently, leveraging all of the powerful tools within the Xilinx FPGA design flow. Once completed, a module's implementation is preserved, guaranteeing the timing in the finished device. This technology is a requirement for any organization employing a team design methodology for the design of a multi-million gate FPGA.



## Constraints Editor

Constraints are user instructions placed on elements of a schematic or HDL design, either in the design itself or in a separate file. They can indicate a number of things such as placement, implementation, naming, signal direction, and timing considerations. In the Xilinx development system, logical constraints are placed in a file called the UCF (User Constraints File). The Constraints Editor is a graphical program that you can use to create and modify those constraints.

## PACE

Pinout and Area Constraints Editor (PACE) is an interactive graphical application that you can use to do the following functions:

- View and edit location constraints for I/Os and global logic
- View and create area constraints for hierarchical symbols in your design
- Determine connectivity and resource requirements of your design
- Determine resource layout of your target FPGA
- Determine how your design maps onto the FPGA via location and area constraints

PACE fits into the Xilinx implementation flow at the very beginning. Because PACE supports I/O layout with an NGD file, it can be used early at the design entry stage of the flow. PACE reads an NGD file and reads and writes a UCF file.

For information on the PACE tool, see

[http://www.xilinx.com/products/design\\_tools/logic\\_design/design\\_entry/pace.htm](http://www.xilinx.com/products/design_tools/logic_design/design_entry/pace.htm).

## Floorplanner

Use the Floorplanner interactive graphical tool to perform the following functions on your designs:

- Floorplan resource placement at a detailed level
- Use Macro Builder to create a Relationally Placed Macro (RPM) core that can be used in other designs
- View and edit location constraints
- Find logic or nets by name or connectivity
- Cross-probe from the Timing Analyzer to the Floorplanner
- Automatic placement of ports for modular design

The graphical user interface includes pull-down menus and toolbar buttons that contain all of the necessary commands for changing the design hierarchy, floorplanning, and performing design rule checks. Dialog boxes allow you to quickly set parameters and options for command execution.

For information on the Floorplanner tool, see

[http://www.xilinx.com/products/design\\_tools/logic\\_design/design\\_entry/floorplanner.htm](http://www.xilinx.com/products/design_tools/logic_design/design_entry/floorplanner.htm).

## PlanAhead Tool

The optional PlanAhead™ tool provides an intuitive environment that delivers a faster, more efficient design solution, allowing designers to find and fix problems early and helping to achieve performance goals. The PlanAhead tool provides hierarchical, block-based, modular and incremental design methodologies, enabling designers to change only part of the design, leaving placement of the rest intact, thus shortening design iterations. It

helps designers consistently maintain the required performance, even while making frequent changes.

For more information on the PlanAhead tool, see <http://www.xilinx.com/planahead>.

## FPGA Editor

The FPGA Editor is a graphical application for displaying and configuring FPGAs. The FPGA Editor requires an NCD file. This file contains the logic of your design mapped to components such as CLBs and IOBs. In addition, the FPGA Editor reads from and writes to a Physical Constraints File (PCF).

The following is a list of a few of the functions you can perform on your designs in the FPGA Editor:

- Place and route critical components before running automatic place and route
- Fine-tune placement and routing after running automatic place and route
- Add probes to design to examine the signal states of the targeted device
- Run the Bitstream Generator and download the resulting file to the targeted device
- Create an entire design by hand (for advanced users)

For more information on the FPGA Editor PROBE tool, see

[http://www.xilinx.com/products/design\\_tools/logic\\_design/verification/fpgaeditorprobe.htm](http://www.xilinx.com/products/design_tools/logic_design/verification/fpgaeditorprobe.htm).

## Interactive Timing Analyzer

The Interactive Timing Analyzer provides a powerful, flexible, and easy way to perform static timing analysis. With Timing Analyzer, analysis can be performed immediately after mapping, placing, or routing a Spartan-3 generation FPGA design.

Timing Analyzer verifies that the delay along a given path or paths meets specified timing requirements. It organizes and displays data that allows you to analyze critical paths in a circuit, the cycle time of the circuit, the delay along any specified path(s), and the path with the greatest delay. It also provides a quick analysis of the effect different speed grades have on the same design.

Timing Analyzer creates timing analysis reports based on existing timing constraints or user specified paths within the program. Timing reports have a hierarchical browser to quickly jump to different sections of the reports. Timing paths in reports can be cross-probed to synthesis tools (Exemplar and Synplicity) and the Floorplanner.

## ISE Simulator

ISE Simulator provides a complete, full-featured HDL simulator integrated within the ISE development system. ISE Simulator comes in two versions:

- Free ISE Simulator Lite, included with all ISE configurations, is ideal for low-density FPGA designs and is limited to 15,000 lines of HDL source code.
- ISE Simulator full version supports any design density and is a low-cost optional add-on to ISE Foundation.

For more information on the ISE Simulator, see

[http://www.xilinx.com/products/design\\_tools/logic\\_design/verification/ise\\_simulator.htm](http://www.xilinx.com/products/design_tools/logic_design/verification/ise_simulator.htm).



## iMPACT Configuration Tool

The iMPACT configuration tool, a command line and GUI based tool, allows you to configure your PLD designs using Boundary Scan, Slave Serial, SelectMap, and Desktop Configuration modes. It also allows you to do the following:

- Download
- Read back and verify design configuration data
- Debug configuration problems
- Create PROM, SVF, STAPL, and System ACE™ CF programming files

## ChipScope Pro Analyzer

The ChipScope Pro analyzer delivers in-circuit real-time debugging with shorter verification cycles and lower project costs. By inserting special low-impact IP debugging cores directly into your HDL code or design netlist, you can debug and verify FPGA logic and system bus activity, capturing signals at or near system operating speeds. You easily can change your trace points without having to recompile your design. The ChipScope Pro analyzer embeds Integrated Logic Analyzer (ILA) and Integrated Bus Analyzer (IBA) cores into your design. These cores allow the user to view all the internal signals and nodes within the Spartan-3 generation FPGA.

For more information on the ChipScope Pro analyzer, see <http://www.xilinx.com/chipscope>.

## Power Analysis Tools

The ISE development system provides the tools to help understand power issues and reduce the dynamic power in a Spartan-3 generation design. Advanced synthesis and implementation algorithms help reduce dynamic power by an average of 10%.

The XPower Estimator spreadsheet is a pre-implementation analysis tool for estimating power consumption in Spartan-3 generation FPGAs. Design requirements can be entered directly or imported from the ISE Map results. The user specifies toggle rates for each part of the design.

The XPower Analyzer is a post-route analysis tool for interactively and automatically analyzing power consumption for Xilinx devices. XPower Analyzer reads VCD simulation data to set estimation stimulus, reducing setup time. XPower Analyzer accepts VCD files from Mentor (ModelSim), Cadence, and Synopsys. XPower Analyzer uses device knowledge and design data to estimate device power and by-net power utilization. Information is presented in both HTML and ASCII (text) report formats.

For more information on the XPower tools, see <http://www.xilinx.com/power>.

## Related Materials and References

The following documents provide supplementary information useful with this chapter:

- Xilinx Design Tools Center  
[http://www.xilinx.com/products/design\\_resources/design\\_tool/](http://www.xilinx.com/products/design_resources/design_tool/)
- ISE Software for Spartan-3 Generation Designs  
[http://www.xilinx.com/ise/ise\\_promo/ise\\_spartan3.htm](http://www.xilinx.com/ise/ise_promo/ise_spartan3.htm)
- Software Download Center  
<http://www.xilinx.com/support/download/index.htm>

- Software Manuals  
[http://www.xilinx.com/support/software\\_manuals.htm](http://www.xilinx.com/support/software_manuals.htm)

## Conclusion

The ISE design environment brings you the fastest, most complete family of design tools available. The ISE tools are available in multiple configurations with various optional tools and interfaces to third-party tools, allowing you to customize the set of tools for your own needs. The ISE development system combines advanced technologies such as ProActive Timing Closure with a flexible, easy-to-use graphical interface to help you achieve the best possible designs with the least time and effort, regardless of your experience level.

# Using IP Cores

---

## Summary

This chapter provides an overview of the Xilinx CORE Generator™ System and the Xilinx Intellectual Property (IP) offerings that facilitate the Spartan®-3 generation design process. For more detailed and complete information, consult the CORE Generator System on-line help available at <http://toolbox.xilinx.com/docsan/xilinx92/help/iseguide/mergedProjects/coregen/coregen.htm>, and the Xilinx IP Center available at <http://www.xilinx.com/ipcenter/index.htm>.

This chapter applies to all Spartan-3 generation FPGA families.

## The CORE Generator System

The Xilinx CORE Generator System is the cataloging, customization, and delivery vehicle for IP cores targeted to Xilinx FPGAs. The CORE Generator provides centralized access to a catalog of ready-made IP functions ranging in complexity from simple arithmetic operators, such as adders, accumulators, and multipliers to system-level building blocks, such as filters, transforms, and memories. Cores can be displayed alphabetically, by function, by vendor, or by type. Each core comes with its own data sheet, which documents the core's functionality in detail.

The CORE Generator user interface makes it very easy to access the latest Spartan-3 generation IP releases and to get helpful, up-to-date information. Links to partner IP providers also are built in for the various partner-supplied AllianceCORE products. The use of CORE Generator IP cores in Spartan-3 generation designs enables designers to shorten design time, and it also helps them realize high levels of performance and area efficiency without any special knowledge of the Spartan-3 generation architecture.

When installing the CORE Generator software, the designer gains immediate access to dozens of cores supplied by the LogiCORE™ program. In addition, data sheets are available for all AllianceCORE products, and additional, separately licensed, advanced function LogiCORE products are also available. New and updated Spartan-3 generation IP for the CORE Generator can be downloaded from the IP Center and added to the CORE Generator catalog.

## Xilinx IP Solutions and the IP Center

The CORE Generator tool works in conjunction with the Xilinx IP Center ([www.xilinx.com/ipcenter](http://www.xilinx.com/ipcenter)). To make the most of this resource, Xilinx highly recommends that whenever starting a design, one first does a quick search of the IP Center to see whether a ready-made core solution is already available.

A complete catalog of Xilinx cores and IP tools resides on the IP Center, including:

- LogiCORE Products
- AllianceCORE Products
- Candidate Core Products
- Design Files
- Alliance Program Partner Services

## LogiCORE Products

LogiCORE products are designed, sold, licensed, and supported by Xilinx. LogiCORE products include a wide selection of generic, parameterized functions, such as muxes, adders, multipliers, and memory cores, which are bundled with the Xilinx CORE Generator software at no additional cost to licensed software customers. System-level cores, such as PCI, Reed-Solomon, ADPCM, HDLC, POS-PHY, and Color Space Converters are also available as optional, separately licensed products. The CORE Generator commonly is used to quickly generate Spartan-3 generation block and distributed memories. A more detailed listing of available Spartan-3 generation LogiCORE products is available in [Table 14-1, page 417](#) and on the Xilinx IP Center website (<http://www.xilinx.com/ipcenter>).

Types of IP currently offered by the Xilinx LogiCORE program include:

- Basic Elements: logic gates, registers, multiplexers, adders, multipliers
- Communications and Networking: ADPCM modules, HDLC controllers, ATM building blocks, forward error correction modules, cable modem solutions, 10/100 Ethernet MAC, SPI-4.2, and POS-PHY interfaces
- DSP and Video Image Processing: cores ranging from small building blocks (e.g., Time Skew Buffers) to larger system-level functions (e.g., FIR Filters and FFTs)
- System Logic: accumulators, adders, subtracters, complementers, multipliers, integrators, pipelined delay elements, single and dual-port distributed and block RAM, ROM, and synchronous and asynchronous FIFOs
- Standard Bus Interfaces: PCI Interfaces, PCI Express PIPE Endpoint, I<sup>2</sup>C, CAN
- Processor Solutions: MicroBlaze™ 32-bit soft processor, PicoBlaze™ 8-bit soft processor, and peripherals

## AllianceCORE Products

AllianceCORE products are intellectual property (IP) cores developed, sold, and supported by third-party Xilinx Alliance Program members. AllianceCORE certification provides a showcase for the most popular IP cores offered.

To receive the AllianceCORE designation, members must submit netlist deliverables of the core in the form of an ISE® project that includes both VHDL and Verilog wrapper files for the current devices recommended for new designs. Xilinx then performs a “flow check” on these deliverables to verify they run through the Xilinx design tools, and the reported implementation results (device utilization and clock rates) are repeatable. Xilinx does not verify core functionality or compliance with specific standards.

## Candidate Core Products

Candidate core products are developed, sold, and supported by third-party Xilinx Alliance Program partners. To receive the Candidate core designation, the partner must submit ISE

report files to demonstrate that they have run the core through the Xilinx tools to target specific Xilinx programmable logic devices.

## Design Files

Xilinx offers two types of design files: XAPP application notes developed by Xilinx and reference designs developed by Xilinx and its partners. Both types are extremely valuable to customers looking for guidance when designing systems. Application notes developed by Xilinx usually include supporting design files. They are supplied free of charge, without technical support or warranty. Reference designs often can be used as starting points for implementing a broad spectrum of functions in Xilinx programmable logic.

## Xilinx Alliance Program Partner Services

Xilinx established the Xilinx Alliance Program to provide customers with access to a worldwide network of certified design consultants who are proficient with Xilinx FPGAs, software, and IP core integration. All members are certified and have extensive expertise and experience with Xilinx technology in various vertical applications, such as communications and networking, DSP, video and image processing, system I/O interfaces, and home networking. Partners are an integral part of the Xilinx strategy to provide customers with cost-efficient design solutions, while accelerating time to market.

## SignOnce

The SignOnce IP License has been the industry's first and only set of common license terms for programmable logic soft IP cores. Xilinx and leading third-party providers have agreed to offer cores to FPGA customers under a common set of terms known as the SignOnce IP License, simplifying the process by which customers can access IP from multiple suppliers. For more information see <http://www.xilinx.com/ipcenter/signonce.htm>.

## Spartan-3 Generation IP Cores

Table 14-1 provides a partial listing of cores available for Spartan-3 generation designs. For a complete catalog of Spartan-3 generation IP solutions and details on supported FPGA families, visit the [Xilinx IP Center parametric search engine](#) and search for the latest Spartan-3 generation core solutions.

Table 14-1: **Spartan-3 Generation IP Cores Support**

| Product Name                                | Vendor                      | Type           | SignOnce | Supported Devices            |
|---------------------------------------------|-----------------------------|----------------|----------|------------------------------|
| <b>Audio Video and Image Processing</b>     |                             |                |          |                              |
| 1394a Link Layer Controller (C1394A)        | CAST, Inc.                  | Candidate Core | X        | Spartan-3E, Spartan-3 FPGAs  |
| Accelerated Display Graphics Engine (BADGE) | BitSim AB                   | Candidate Core |          | Spartan-3 FPGAs              |
| Adaptive Image Enhancement (Iridix)         | Apical Limited              | Candidate Core |          | Spartan-3E, Spartan-3 FPGAs  |
| ADPCM, 128 Simplex (CS4125)                 | Amphion Semiconductor, Ltd. | AllianceCORE   | X        | Spartan-3, Spartan-II FPGAs  |
| ADPCM, 16 Simplex (CS4110)                  | Amphion Semiconductor, Ltd. | AllianceCORE   | X        | Spartan-3, Spartan-IIe FPGAs |

Table 14-1: Spartan-3 Generation IP Cores Support (Continued)

| Product Name                                     | Vendor                      | Type           | SignOnce | Supported Devices                        |
|--------------------------------------------------|-----------------------------|----------------|----------|------------------------------------------|
| Audio Sample Rate Converter, Low Cost (CWda50)   | Coreworks                   | Candidate Core | X        | Spartan-3E, Spartan-3, Spartan-III FPGAs |
| Burst Locked PLL (BURST_PLL)                     | Pinpoint Solutions, Inc.    | AllianceCORE   | X        | Spartan-3, Spartan-III FPGAs             |
| Compact Video Controller (logiCVC)               | Xylon d.o.o.                | AllianceCORE   | X        | Spartan-3E, Spartan-3, Spartan-III FPGAs |
| Discrete Wavelet Transform (BA113FDWT)           | Barco-Silex                 | AllianceCORE   | X        | Spartan-3 FPGAs                          |
| Gamma Correction, Dynamic                        | Digital Design Corporation  | Candidate Core |          | Spartan-3 FPGAs                          |
| H.264 / MPEG4 Part 10, Decoder, Baseline (4i2i)  | 4i2i Communications Ltd.    | Candidate Core |          | Spartan-3E, Spartan-3 FPGAs              |
| H.264 Encoder, Baseline (4i2i)                   | 4i2i Communications Ltd.    | AllianceCORE   | X        | Spartan-3 FPGAs                          |
| H.264 Encoder, Baseline Multichannel HD (H264-E) | CAST, Inc.                  | Candidate Core | X        | Spartan-3E, Spartan-3 FPGAs              |
| I <sup>2</sup> S Receiver (CWda10)               | Coreworks                   | Candidate Core | X        | Spartan-3, Spartan-III, Spartan-II FPGAs |
| I <sup>2</sup> S to SPDIF Converter (CWda04)     | Coreworks                   | Candidate Core | X        | Spartan-3, Spartan-III, Spartan-II FPGAs |
| I <sup>2</sup> S Transmitter (CWda06)            | Coreworks                   | Candidate Core | X        | Spartan-3, Spartan-III FPGAs             |
| JPEG, 2000 Decoder (BA111JPEG2000D)              | Barco-Silex                 | AllianceCORE   | X        | Spartan-3 FPGAs                          |
| JPEG, 2000 Encoder (BA112JPEG2000E)              | Barco-Silex                 | AllianceCORE   | X        | Spartan-3 FPGAs                          |
| JPEG, Codec (JPEG_C)                             | CAST, Inc.                  | AllianceCORE   | X        | Spartan-3E, Spartan-3 FPGAs              |
| JPEG, Decoder (JPEG_D)                           | CAST, Inc.                  | AllianceCORE   | X        | Spartan-3E, Spartan-3 FPGAs              |
| JPEG, Encoder (JPEG_E)                           | CAST, Inc.                  | AllianceCORE   | X        | Spartan-3E, Spartan-3 FPGAs              |
| JPEG, Motion Codec V1.0 (CS6190)                 | Amphion Semiconductor, Ltd. | AllianceCORE   | X        | Spartan-3, Spartan-III FPGAs             |
| JPEG, Motion Decoder (CS6150)                    | Amphion Semiconductor, Ltd. | AllianceCORE   | X        | Spartan-3 FPGAs                          |
| JPEG, Motion Encoder (CS6100)                    | Amphion Semiconductor, Ltd. | AllianceCORE   | X        | Spartan-3, Spartan-III FPGAs             |
| Longitudinal Time Code Generator                 | Deltatec S.A.               | AllianceCORE   | X        | Spartan-3, Spartan-III FPGAs             |
| Motion JPEG Decoder (JPEG Decoder)               | 4i2i Communications Ltd.    | AllianceCORE   | X        | Spartan-3, Spartan-III FPGAs             |

**Table 14-1: Spartan-3 Generation IP Cores Support (Continued)**

| Product Name                                    | Vendor                      | Type           | SignOnce | Supported Devices                                    |
|-------------------------------------------------|-----------------------------|----------------|----------|------------------------------------------------------|
| Motion JPEG Encoder (JPEG Encoder)              | 4i2i Communications Ltd.    | AllianceCORE   | X        | Spartan-3, Spartan-IIE FPGAs                         |
| MPEG-2 Video Decoder (CS6651)                   | Amphion Semiconductor, Ltd. | AllianceCORE   | X        | Spartan-3 FPGAs                                      |
| MPEG4 Simple Profile Decoder                    | Xilinx, Inc.                | LogiCORE       | X        | Spartan-3, Spartan-3A FPGAs                          |
| MPEG4 Simple Profile Encoder                    | Xilinx, Inc.                | LogiCORE       | X        | Spartan-3, Spartan-3A FPGAs                          |
| MPEG-4 Video Compression Decoder                | 4i2i Communications Ltd.    | AllianceCORE   | X        | Spartan-3 FPGAs                                      |
| MPEG-4 Video Compression Encoder                | 4i2i Communications Ltd.    | AllianceCORE   | X        | Spartan-3 FPGAs                                      |
| NTSC Color Separator (NTSC-COSEP)               | Pinpoint Solutions, Inc.    | AllianceCORE   | X        | Spartan-3, Spartan-IIE FPGAs                         |
| SPDIF to I <sup>2</sup> S Converter (CWda03)    | Coreworks                   | Candidate Core | X        | Spartan-3, Spartan-IIE, Spartan-II FPGAs             |
| SPDIF-AES/EBU Feed-Forward Receiver (CWda01)    | Coreworks                   | Candidate Core | X        | Spartan-3, Spartan-IIE, Spartan-II FPGAs             |
| SPDIF-AES/EBU Feed-Forward Transmitter (CWda02) | Coreworks                   | Candidate Core | X        | Spartan-3, Spartan-IIE, Spartan-II FPGAs             |
| SPDIF-AES/EBU Transmitter (CWda05)              | Coreworks                   | Candidate Core | X        | Spartan-3E, Spartan-3 FPGAs                          |
| VGA Compatible Cores (INT416-SM, INT416-SXGA)   | Intrinsix Corporation       | Candidate Core |          | Spartan-3E, Spartan-3 FPGAs                          |
| <b>Basic Logic</b>                              |                             |                |          |                                                      |
| 8b/10b Decoder                                  | Xilinx, Inc.                | LogiCORE       |          | Spartan-3, Spartan-IIE, Spartan-II FPGAs             |
| 8b/10b Encoder                                  | Xilinx, Inc.                | LogiCORE       |          | Spartan-3, Spartan-IIE, Spartan-II FPGAs             |
| Binary Counter                                  | Xilinx, Inc.                | LogiCORE       |          | Spartan-3E, Spartan-3 FPGAs                          |
| Binary Decoder                                  | Xilinx, Inc.                | LogiCORE       |          | Spartan-3E, Spartan-3, Spartan-IIE, Spartan-II FPGAs |
| BUFE-based Multiplexer Slice                    | Xilinx, Inc.                | LogiCORE       |          | Spartan-3E, Spartan-3, Spartan-IIE FPGAs             |
| Comparator                                      | Xilinx, Inc.                | LogiCORE       |          | Spartan-3E, Spartan-3 FPGAs                          |
| FD-based Parallel Register                      | Xilinx, Inc.                | LogiCORE       |          | Spartan-3E, Spartan-3, Spartan-IIE FPGAs             |
| FD-based Shift Register                         | Xilinx, Inc.                | LogiCORE       |          | Spartan-3E, Spartan-3, Spartan-IIE FPGAs             |

Table 14-1: Spartan-3 Generation IP Cores Support (Continued)

| Product Name                          | Vendor                          | Type           | SignOnce | Supported Devices                                       |
|---------------------------------------|---------------------------------|----------------|----------|---------------------------------------------------------|
| Floating Point Comparator (DFPCOMP)   | Digital Core Design             | AllianceCORE   | X        | Spartan-3E, Spartan-3 FPGAs                             |
| LD-based Parallel Latch               | Xilinx, Inc.                    | LogiCORE       |          | Spartan-3E, Spartan-3, Spartan-IIE FPGAs                |
| Linear Feedback Shift Register (LFSR) | Xilinx, Inc.                    | LogiCORE       |          | Spartan-3, Spartan-IIE FPGAs                            |
| RAM-based Shift Register              | Xilinx, Inc.                    | LogiCORE       |          | Spartan-3E, Spartan-3 FPGAs                             |
| 8b/10b Decoder                        | Xilinx, Inc.                    | LogiCORE       |          | Spartan-3, Spartan-IIE, Spartan-II FPGAs                |
| 8b/10b Encoder                        | Xilinx, Inc.                    | LogiCORE       |          | Spartan-3, Spartan-IIE, Spartan-II FPGAs                |
| Binary Counter                        | Xilinx, Inc.                    | LogiCORE       |          | Spartan-3E, Spartan-3 FPGAs                             |
| Binary Decoder                        | Xilinx, Inc.                    | LogiCORE       |          | Spartan-3E, Spartan-3, Spartan-IIE, Spartan-II FPGAs    |
| BUFE-based Multiplexer Slice          | Xilinx, Inc.                    | LogiCORE       |          | Spartan-3E, Spartan-3, Spartan-IIE FPGAs                |
| Comparator                            | Xilinx, Inc.                    | LogiCORE       |          | Spartan-3E, Spartan-3 FPGAs                             |
| FD-based Parallel Register            | Xilinx, Inc.                    | LogiCORE       |          | Spartan-3E, Spartan-3, Spartan-IIE FPGAs                |
| FD-based Shift Register               | Xilinx, Inc.                    | LogiCORE       |          | Spartan-3E, Spartan-3, Spartan-IIE FPGAs                |
| Floating Point Comparator (DFPCOMP)   | Digital Core Design             | AllianceCORE   | X        | Spartan-3E, Spartan-3 FPGAs                             |
| LD-based Parallel Latch               | Xilinx, Inc.                    | LogiCORE       |          | Spartan-3E, Spartan-3, Spartan-IIE FPGAs                |
| Linear Feedback Shift Register (LFSR) | Xilinx, Inc.                    | LogiCORE       |          | Spartan-3, Spartan-IIE FPGAs                            |
| RAM-based Shift Register              | Xilinx, Inc.                    | LogiCORE       |          | Spartan-3E, Spartan-3 FPGAs                             |
| <b>Bus Interface and I/O</b>          |                                 |                |          |                                                         |
| 1394 Link Layer Controller (SI16FW10) | Silicon Interfaces America Inc. | Candidate Core |          | Spartan-3 FPGAs                                         |
| 1394a Link Layer Controller (C1394A)  | CAST, Inc.                      | Candidate Core | X        | Spartan-3E, Spartan-3 FPGAs                             |
| CAN (DO-DI-CAN)                       | Xilinx, Inc.                    | LogiCORE       |          | Spartan-3E, Spartan-3, Spartan-3A, Spartan-3A DSP FPGAs |



**Table 14-1: Spartan-3 Generation IP Cores Support (Continued)**

| Product Name                                           | Vendor                            | Type           | SignOnce | Supported Devices                                    |
|--------------------------------------------------------|-----------------------------------|----------------|----------|------------------------------------------------------|
| CAN 2.0 B Compatible Network Controller (LogiCAN)      | Xylon d.o.o.                      | AllianceCORE   | X        | Spartan-3E, Spartan-3, Spartan-III, Spartan-II FPGAs |
| CAN 2.0B Bus Controller (iCAN)                         | Intelliga Integrated Design, Ltd. | AllianceCORE   | X        | Spartan-3, Spartan-III FPGAs                         |
| CAN Bus Controller (MC-XIL-OPB-XCAN)                   | Avnet Design Services             | AllianceCORE   | X        | Spartan-3, Spartan-III FPGAs                         |
| CAN Bus Controller 2.0B                                | CAST, Inc.                        | AllianceCORE   | X        | Spartan-3E, Spartan-3 FPGAs                          |
| I <sup>2</sup> C Bus Controller (I <sup>2</sup> C)     | CAST, Inc.                        | AllianceCORE   | X        | Spartan-3, Spartan-III FPGAs                         |
| I <sup>2</sup> C Bus Controller Master (DI2CM)         | Digital Core Design               | AllianceCORE   | X        | Spartan-3E, Spartan-3 FPGAs                          |
| I <sup>2</sup> C Bus Controller Slave (DI2CS)          | Digital Core Design               | Candidate Core | X        | Spartan-3E, Spartan-3 FPGAs                          |
| J1850 Class B Interface (J1850_BDLC_VPW)               | Drivven, Inc.                     | Candidate Core | X        | Spartan-3 FPGAs                                      |
| LIN - Local Interconnect Network Bus Controller (iLIN) | Intelliga Integrated Design, Ltd. | AllianceCORE   | X        | Spartan-3, Spartan-III FPGAs                         |
| LIN Controller                                         | CAST, Inc.                        | AllianceCORE   | X        | Spartan-3E, Spartan-3 FPGAs                          |
| MIL-STD-1553 Bus Interface (FlightCORE-1553)           | GE Fanuc Embedded Systems, Inc.   | Candidate Core |          | Spartan-3E, Spartan-3, Spartan-III FPGAs             |
| OPB Arbiter                                            | Xilinx, Inc.                      | LogiCORE       |          | Spartan-3, Spartan-III FPGAs                         |
| OPB IIC Master and Slave Bus Controller (DO-DI-IIC-SD) | Xilinx, Inc.                      | LogiCORE       |          | Spartan-3, Spartan-3A, Spartan-III FPGAs             |
| OPB IPIF Architecture                                  | Xilinx, Inc.                      | LogiCORE       |          | Spartan-3E, Spartan-3, Spartan-3A, Spartan-III FPGAs |
| OPB to OPB Bridge (Lite Version)                       | Xilinx, Inc.                      | LogiCORE       |          | Spartan-3, Spartan-III FPGAs                         |
| OPB/PLB PCI32 Interface                                | Xilinx, Inc.                      | LogiCORE       |          | Spartan-3, Spartan-3A, Spartan-III FPGAs             |
| PCI 32-bit Master Interface (PCI-M32)                  | CAST, Inc.                        | AllianceCORE   | X        | Spartan-3, Spartan-III FPGAs                         |
| PCI 32-Bit Multifunction Target Interface (PCI-TMF)    | CAST, Inc.                        | AllianceCORE   | X        | Spartan-3, Spartan-III FPGAs                         |
| PCI 32-bit Target Interface (PCI-T32)                  | CAST, Inc.                        | AllianceCORE   | X        | Spartan-3, Spartan-III FPGAs                         |
| PCI Express (PEXCore-254)                              | NitAI Consulting Services, Inc.   | Candidate Core | X        | Spartan-3 FPGAs                                      |

Table 14-1: Spartan-3 Generation IP Cores Support (Continued)

| Product Name                                                         | Vendor                    | Type           | SignOnce | Supported Devices                                                                 |
|----------------------------------------------------------------------|---------------------------|----------------|----------|-----------------------------------------------------------------------------------|
| PCI Express PIPE Endpoint LogiCORE (DO-DI-PCIE-PIPE)                 | Xilinx, Inc.              | LogiCORE       | X        | Spartan-3E, Spartan-3 FPGAs                                                       |
| PCI Host Bridge (PCI-HB)                                             | CAST, Inc.                | AllianceCORE   | X        | Spartan-3, Spartan-IIIE FPGAs                                                     |
| PCI Interface (NWL PCI)                                              | Northwest Logic           | AllianceCORE   | X        | Spartan-3 FPGAs                                                                   |
| PCI32 Single Project Spartan Series (DO-DI-PCI32-SP)                 | Xilinx, Inc.              | LogiCORE       | X        | Spartan-3E, Spartan-3, Spartan-IIIE, Spartan-II FPGAs                             |
| PCI32 Spartan Series Interface (DO-DI-PCI32-IP)                      | Xilinx, Inc.              | LogiCORE       | X        | Spartan-3A DSP, Spartan-3A, Spartan-3E, Spartan-3, Spartan-IIIE, Spartan-II FPGAs |
| PCI64 Virtex® and Spartan Series Interface, IP Only (DO-DI-PCI64-IP) | Xilinx, Inc.              | LogiCORE       | X        | Spartan-3A DSP, Spartan-3A, Spartan-3E, Spartan-3, Spartan-IIIE, Spartan-II FPGAs |
| PCI64 Interface Design Kit (DO-DI-PCI64-DKT)                         | Xilinx, Inc.              | LogiCORE       | X        | Spartan-3A, Spartan-3A DSP, Spartan-3, Spartan-IIIE, Spartan-II FPGAs             |
| PCI-PCI Bridge (EP440)                                               | Eureka Technology         | AllianceCORE   | X        | Spartan-3, Spartan-IIIE FPGAs                                                     |
| PowerPC® Bus Master (EP201)                                          | Eureka Technology         | AllianceCORE   | X        | Spartan-3, Spartan-IIIE FPGAs                                                     |
| PowerPC Bus Slave (EP100)                                            | Eureka Technology         | AllianceCORE   | X        | Spartan-3, Spartan-IIIE FPGAs                                                     |
| Serial ATA I/II Host Controller (SATA_H1)                            | ASICS World Service, Ltd. | Candidate Core | X        | Spartan-3 FPGAs                                                                   |
| Smart Card Interface (HCLT SCI)                                      | HCL Technologies Ltd.     | Candidate Core | X        | Spartan-3, Spartan-IIIE FPGAs                                                     |
| SPI Master Interface (HCL_SPI_M)                                     | HCL Technologies Ltd.     | Candidate Core | X        | Spartan-3, Spartan-IIIE FPGAs                                                     |
| SPI-Master/Slave (DSPI)                                              | Digital Core Design       | Candidate Core | X        | Spartan-3E, Spartan-3, Spartan-IIIE FPGAs                                         |
| SPI-Slave (DSPIS)                                                    | Digital Core Design       | Candidate Core | X        | Spartan-3E, Spartan-3, Spartan-IIIE FPGAs                                         |
| Two-Wire Serial Interface - I <sup>2</sup> C (MC-XIL-TWSI)           | Avnet Design Services     | AllianceCORE   | X        | Spartan-3, Spartan-IIIE, Spartan-II FPGAs                                         |
| USB 1.1 Function Controller (CUSB)                                   | CAST, Inc.                | AllianceCORE   | X        | Spartan-3, Spartan-IIIE FPGAs                                                     |
| USB 1.1 Host (USB1_HOST)                                             | ASICS World Service, Ltd. | Candidate Core | X        | Spartan-3, Spartan-IIIE FPGAs                                                     |
| USB 2.0 Function Controller (CUSB2)                                  | CAST, Inc.                | AllianceCORE   | X        | Spartan-3, Spartan-IIIE FPGAs                                                     |

**Table 14-1: Spartan-3 Generation IP Cores Support (Continued)**

| Product Name                                                      | Vendor                          | Type           | SignOnce | Supported Devices                                                    |
|-------------------------------------------------------------------|---------------------------------|----------------|----------|----------------------------------------------------------------------|
| USB 2.0 Function Controller (USB2_DEV)                            | ASICS World Service, Ltd.       | Candidate Core | X        | Spartan-3E, Spartan-3 FPGAs                                          |
| USB 2.0 On-The-Go (USB2_OTG)                                      | ASICS World Service, Ltd.       | Candidate Core | X        | Spartan-3, Spartan-III FPGAs                                         |
| USB Function Controller with On-Chip Peripheral Bus (CUSB_OPB)    | CAST, Inc.                      | AllianceCORE   | X        | Spartan-3, Spartan-III FPGAs                                         |
| V3.0 PCI 32-bit/(66-33 MHz) Core and Design Kit                   | Xilinx, Inc.                    | LogiCORE       | X        | Spartan-3A DSP, Spartan-3A, Spartan-3, Spartan-III, Spartan-II FPGAs |
| V3.0 PCI 64-bit/(66-33 MHz) and PCI 32-bit/(66-33 MHz) Core       | Xilinx, Inc.                    | LogiCORE       | X        | Spartan-3E, Spartan-3, Spartan-III, Spartan-II FPGAs                 |
| V5.0 PCI 64-bit/33 MHz, V3.0 PCI 64-bit/(66-33MHz) and PCI 32-bit | Xilinx, Inc.                    | LogiCORE       | X        | Spartan-3, Spartan-III, Spartan-II FPGAs                             |
| VLYNQ Interface for Texas Instruments Processors                  | Xilinx, Inc.                    | LogiCORE       | X        | Spartan-3E, Spartan-3 FPGAs                                          |
| VME Address and Data Interface (ML7C964)                          | Millogic Ltd                    | Candidate Core |          | Spartan-3E, Spartan-3, Spartan-II FPGAs                              |
| <b>Communications and Networking</b>                              |                                 |                |          |                                                                      |
| 1394 Link Layer Controller (SI16FW10)                             | Silicon Interfaces America Inc. | Candidate Core |          | Spartan-3 FPGAs                                                      |
| 1394a Link Layer Controller (C1394A)                              | CAST, Inc.                      | Candidate Core | X        | Spartan-3E, Spartan-3 FPGAs                                          |
| 16550 UART w/ FIFOs (D16550)                                      | Digital Core Design             | AllianceCORE   | X        | Spartan-3E, Spartan-3, Spartan-III FPGAs                             |
| 16750 UART w/ FIFOs (D16750)                                      | Digital Core Design             | Candidate Core | X        | Spartan-3E, Spartan-3, Spartan-III FPGAs                             |
| 16750 UART w/FIFOs and sync CPU Interface (H16750S)               | CAST, Inc.                      | Candidate Core | X        | Spartan-3E, Spartan-3 FPGAs                                          |
| 85C30 Serial Communication Controller (ML85C30)                   | Millogic Ltd                    | Candidate Core |          | Spartan-3E, Spartan-3 FPGAs                                          |
| 8b/10b Decoder                                                    | Xilinx, Inc.                    | LogiCORE       |          | Spartan-3, Spartan-III, Spartan-II FPGAs                             |
| 8b/10b Encoder                                                    | Xilinx, Inc.                    | LogiCORE       |          | Spartan-3, Spartan-III, Spartan-II FPGAs                             |
| Additive White Gaussian Noise                                     | Xilinx, Inc.                    | LogiCORE       | X        | Spartan-3 FPGAs                                                      |
| ADPCM, 128 Simplex (CS4125)                                       | Amphion Semiconductor, Ltd.     | AllianceCORE   | X        | Spartan-3, Spartan-III FPGAs                                         |
| ADPCM, 16 Simplex (CS4110)                                        | Amphion Semiconductor, Ltd.     | AllianceCORE   | X        | Spartan-3, Spartan-III FPGAs                                         |
| AES Encryption                                                    | CAST, Inc.                      | AllianceCORE   | X        | Spartan-3, Spartan-III FPGAs                                         |

Table 14-1: Spartan-3 Generation IP Cores Support (Continued)

| Product Name                                           | Vendor                        | Type           | SignOnce | Supported Devices                                                    |
|--------------------------------------------------------|-------------------------------|----------------|----------|----------------------------------------------------------------------|
| AES Encryptor/Decryptor (AES_CORE_G2_XE)               | Algotronix, Ltd.              | Candidate Core | X        | Spartan-3E, Spartan-3, Spartan-IIE FPGAs                             |
| AES Fast Encryptor (Helion)                            | Helion Technology Limited     | AllianceCORE   | X        | Spartan-3E, Spartan-3 FPGAs                                          |
| AES Standard Encryptor/Decryptor                       | Helion Technology Limited     | AllianceCORE   | X        | Spartan-3E, Spartan-3 FPGAs                                          |
| AES Tiny Encryptor/Decryptor                           | Helion Technology Limited     | AllianceCORE   | X        | Spartan-3E, Spartan-3 FPGAs                                          |
| ATA Host Controller (HCL ATA)                          | HCL Technologies Ltd.         | AllianceCORE   | X        | Spartan-3, Spartan-IIE FPGAs                                         |
| ATA-4/UDMA-33 IDE Host (Nuvation)                      | Nuvation Research Corporation | Candidate Core |          | Spartan-3E, Spartan-3 FPGAs                                          |
| ATA-5/UDMA-66 IDE Host (Nuvation)                      | Nuvation Research Corporation | Candidate Core |          | Spartan-3E, Spartan-3 FPGAs                                          |
| ATM Adaptation Layer 5 (AAL5)                          | ModelWare, Inc.               | AllianceCORE   | X        | Spartan-3 FPGAs                                                      |
| Convolutional Encoder                                  | Xilinx, Inc.                  | LogiCORE       |          | Spartan-3A DSP, Spartan-3E, Spartan-3, Spartan-IIE, Spartan-II FPGAs |
| CRC-32 for 10 Gbps OC192 systems (CORE-CRC-128)        | Calyptech Pty Ltd.            | AllianceCORE   | X        | Spartan-3 FPGAs                                                      |
| Deframer, STM0/OC1, STM1/OC3, STM4/OC12 (sdh.dfrm.001) | Aliathon Ltd.                 | Candidate Core | X        | Spartan-3 FPGAs                                                      |
| Demapper, STM0/OC1, STM1/OC3, STM4/OC12 (sdh.dmap.001) | Aliathon Ltd.                 | Candidate Core | X        | Spartan-3 FPGAs                                                      |
| DES Encryption                                         | CAST, Inc.                    | Candidate Core | X        | Spartan-3E, Spartan-3, Spartan-IIE FPGAs                             |
| DES3 Encryption                                        | CAST, Inc.                    | AllianceCORE   | X        | Spartan-3, Spartan-IIE FPGAs                                         |
| Digital Up Converter                                   | Xilinx, Inc.                  | LogiCORE       |          | Spartan-3 FPGAs                                                      |
| Ethernet 1000BASE-X PCS/PMA or SGMII                   | Xilinx, Inc.                  | LogiCORE       | X        | Spartan-3E, Spartan-3, Spartan-3A FPGAs                              |
| Ethernet MAC, 10/100 (MAC)                             | CAST, Inc.                    | AllianceCORE   | X        | Spartan-3, Spartan-IIE FPGAs                                         |
| Ethernet Statistics                                    | Xilinx, Inc.                  | LogiCORE       | X        | Spartan-3A DSP, Spartan-3E, Spartan-3, Spartan-3A FPGAs              |
| Fast AES decryptor                                     | Helion Technology Limited     | Candidate Core | X        | Spartan-3, Spartan-IIE FPGAs                                         |
| Framer, SONET OC-3 to OC-768 (Xelic)                   | Xelic, Inc.                   | Candidate Core | X        | Spartan-3E, Spartan-3 FPGAs                                          |
| Framer, STM0/OC1, STM1/OC3, STM4/OC12 (sdh.frm.001)    | Aliathon Ltd.                 | Candidate Core | X        | Spartan-3 FPGAs                                                      |

**Table 14-1: Spartan-3 Generation IP Cores Support (Continued)**

| Product Name                                                 | Vendor                          | Type           | SignOnce | Supported Devices                                       |
|--------------------------------------------------------------|---------------------------------|----------------|----------|---------------------------------------------------------|
| Generic Framing Procedure (DO-DI-GFP)                        | Xilinx, Inc.                    | LogiCORE       | X        | Spartan-3E, Spartan-3 FPGAs                             |
| Gigabit Ethernet Media Access Controller (GEMAC)             | Xilinx, Inc.                    | LogiCORE       | X        | Spartan-3E, Spartan-3, Spartan-3A FPGAs                 |
| HDLC, Single-Channel (MC-XIL-HDLC)                           | Avnet Design Services           | AllianceCORE   | X        | Spartan-3 FPGAs                                         |
| Inverse Multiplexing for ATM (IMA) for PhyCore (005-002-002) | Phystream Ltd.                  | Candidate Core | X        | Spartan-3 FPGAs                                         |
| IPsec ESP Security Engine (Helion)                           | Helion Technology Limited       | AllianceCORE   | X        | Spartan-3E, Spartan-3 FPGAs                             |
| Mapper, STM0/OC1, STM1/OC3, STM4/OC12 (sdh.map.001)          | Aliathon Ltd.                   | Candidate Core | X        | Spartan-3 FPGAs                                         |
| MD5 Message Digest Algorithm                                 | CAST, Inc.                      | AllianceCORE   | X        | Spartan-3E, Spartan-3, Spartan-IIE FPGAs                |
| Multi Rate Performance Monitor, 2.5 Gb/s (CORE-PM-MR)        | Calyptech Pty Ltd.              | AllianceCORE   | X        | Spartan-3 FPGAs                                         |
| OPB 10/100 Ethernet MAC Lite (OPB EMAC Lite)                 | Xilinx, Inc.                    | LogiCORE       | X        | Spartan-3, Spartan-3A, Spartan-IIE FPGAs                |
| OPB 10/100 Ethernet Media Access Controller (EMAC)           | Xilinx, Inc.                    | LogiCORE       | X        | Spartan-3, Spartan-3A, Spartan-IIE, Spartan-II FPGAs    |
| OPB ATM Utopia Level 2 Master and Slave                      | Xilinx, Inc.                    | LogiCORE       |          | Spartan-3, Spartan-IIE FPGAs                            |
| OPB Single Channel HDLC Controller                           | Xilinx, Inc.                    | LogiCORE       |          | Spartan-3, Spartan-II FPGAs                             |
| Packet Queue                                                 | Xilinx, Inc.                    | LogiCORE       | X        | Spartan-3A DSP, Spartan-3A, Spartan-3E, Spartan-3 FPGAs |
| PCI Express (PEXCore-254)                                    | NitAI Consulting Services, Inc. | Candidate Core | X        | Spartan-3 FPGAs                                         |
| Pseudorandom Number Generator (ANSI X9.17/X9.31 PRNG)        | Helion Technology Limited       | AllianceCORE   | X        | Spartan-3E, Spartan-3, Spartan-IIE FPGAs                |
| Reed-Solomon Decoder (RSDX1)                                 | ASICS World Service, Ltd.       | Candidate Core | X        | Spartan-3, Spartan-IIE FPGAs                            |
| Reed-Solomon Decoder                                         | Xilinx, Inc.                    | LogiCORE       | X        | Spartan-3A DSP, Spartan-3A, Spartan-3E, Spartan-3 FPGAs |
| Reed-Solomon Encoder (RSEX1)                                 | ASICS World Service, Ltd.       | Candidate Core | X        | Spartan-3, Spartan-IIE FPGAs                            |
| Reed-Solomon Encoder                                         | Xilinx, Inc.                    | LogiCORE       | X        | Spartan-3E, Spartan-3, Spartan-IIE FPGAs                |
| SDLC Controller (SDLC)                                       | CAST, Inc.                      | AllianceCORE   | X        | Spartan-3, Spartan-IIE FPGAs                            |

Table 14-1: Spartan-3 Generation IP Cores Support (Continued)

| Product Name                                             | Vendor                    | Type           | SignOnce | Supported Devices                                                   |
|----------------------------------------------------------|---------------------------|----------------|----------|---------------------------------------------------------------------|
| Serial ATA I/II Host Controller (SATA_H1)                | ASICS World Service, Ltd. | Candidate Core | X        | Spartan-3 FPGAs                                                     |
| SHA-1, SHA-224, SHA-256 and MD5, Tiny with HMAC (Helion) | Helion Technology Limited | AllianceCORE   | X        | Spartan-3E, Spartan-3 FPGAs                                         |
| SHA-1,SHA-256 and MD5 Hashing, Fast (Helion)             | Helion Technology Limited | AllianceCORE   | X        | Spartan-3E, Spartan-3 FPGAs                                         |
| SPI Master Interface (HCL_SPI_M)                         | HCL Technologies Ltd.     | Candidate Core | X        | Spartan-3, Spartan-IIIE FPGAs                                       |
| SPI-3 Link Layer Interface, Multi-channel                | Xilinx, Inc.              | LogiCORE       | X        | Spartan-3A DSP, Spartan-3E, Spartan-3 FPGAs                         |
| SPI-3 Physical Layer Interface, Multi-channel            | Xilinx, Inc.              | LogiCORE       | X        | Spartan-3A, Spartan-3A DSP, Spartan-3E, Spartan-3 FPGAs             |
| SPI-4 Phase 2 Interface Solutions (DO-DI-POS4MC)         | Xilinx, Inc.              | LogiCORE       | X        | Spartan-3A DSP, Spartan-3A, Spartan-3E, Spartan-3 FPGAs             |
| SPI-Master/Slave (DSPI)                                  | Digital Core Design       | Candidate Core | X        | Spartan-3E, Spartan-3, Spartan-IIIE FPGAs                           |
| SPI-Slave (DSPIS)                                        | Digital Core Design       | Candidate Core | X        | Spartan-3E, Spartan-3, Spartan-IIIE FPGAs                           |
| TDES AMBA Platform                                       | SoC Solutions, LLC        | AllianceCORE   | X        | Spartan-3, Spartan-IIIE FPGAs                                       |
| TDM Interface, Multi-port Programmable                   | Phystream Ltd.            | Candidate Core | X        | Spartan-3 FPGAs                                                     |
| TDM Switch (TDM_H110)                                    | Calyptech Pty Ltd.        | AllianceCORE   | X        | Spartan-3, Spartan-II FPGAs                                         |
| Tri-Mode Ethernet Media Access Controller (TEMAC)        | Xilinx, Inc.              | LogiCORE       | X        | Spartan-3A DSP, Spartan-3E, Spartan-3, Spartan-3A FPGAs             |
| Turbo Convolutional Code Decoder, CDMA2000/3GPP2         | Xilinx, Inc.              | LogiCORE       |          | Spartan-3A, Spartan-3A DSP, Spartan-3E, Spartan-3, Spartan-II FPGAs |
| Turbo Convolutional Code Encoder, CDMA2000/3GPP2         | Xilinx, Inc.              | LogiCORE       |          | Spartan-3A DSP, Spartan-3A, Spartan-3E, Spartan-3, Spartan-II FPGAs |
| Turbo Product Code (TPC) Decoder                         | Xilinx, Inc.              | LogiCORE       |          | Spartan-3 FPGAs                                                     |
| Turbo Product Code (TPC) Encoder                         | Xilinx, Inc.              | LogiCORE       |          | Spartan-3 FPGAs                                                     |
| UART, Generic Compact (MC-XIL-UART)                      | Memec Design              | AllianceCORE   | X        | Spartan-3 FPGAs                                                     |
| UMTS/3GPP Turbo Convolutional Decoder                    | Xilinx, Inc.              | LogiCORE       |          | Spartan-3E, Spartan-3, Spartan-3A, Spartan-3A DSP FPGAs             |

**Table 14-1: Spartan-3 Generation IP Cores Support (Continued)**

| Product Name                                                   | Vendor                      | Type           | SignOnce | Supported Devices                                    |
|----------------------------------------------------------------|-----------------------------|----------------|----------|------------------------------------------------------|
| UMTS/3GPP Turbo Convolutional Encoder                          | Xilinx, Inc.                | LogiCORE       |          | Spartan-3E, Spartan-3, Spartan-3A,                   |
| USB 1.1 Function Controller (CUSB)                             | CAST, Inc.                  | AllianceCORE   | X        | Spartan-3, Spartan-III FPGAs                         |
| USB 1.1 Host (USB1_HOST)                                       | ASICS World Service, Ltd.   | Candidate Core | X        | Spartan-3, Spartan-III FPGAs                         |
| USB 2.0 Function Controller (CUSB2)                            | CAST, Inc.                  | AllianceCORE   | X        | Spartan-3, Spartan-III FPGAs                         |
| USB 2.0 Function Controller (USB2_DEV)                         | ASICS World Service, Ltd.   | Candidate Core | X        | Spartan-3E, Spartan-3 FPGAs                          |
| USB 2.0 On-The-Go (USB2_OTG)                                   | ASICS World Service, Ltd.   | Candidate Core | X        | Spartan-3, Spartan-III FPGAs                         |
| USB Function Controller with On-Chip Peripheral Bus (CUSB_OPB) | CAST, Inc.                  | AllianceCORE   | X        | Spartan-3, Spartan-III FPGAs                         |
| UTOPIA, Multi-port Serial Bridge                               | Phystream Ltd.              | Candidate Core | X        | Spartan-3 FPGAs                                      |
| Viterbi Decoder                                                | Xilinx, Inc.                | LogiCORE       | X        | Spartan-3E, Spartan-3, Spartan-3A, Spartan-III FPGAs |
| Viterbi Decoder, (IEEE 802-Compatible)                         | Xilinx, Inc.                | LogiCORE       | X        | Spartan-3, Spartan-III FPGAs                         |
| Z80 Serial I/O Controller (CZ80SIO)                            | CAST, Inc.                  | AllianceCORE   | X        | Spartan-3, Spartan-III FPGAs                         |
| <b>Digital Signal Processing</b>                               |                             |                |          |                                                      |
| Additive White Gaussian Noise                                  | Xilinx, Inc.                | LogiCORE       | X        | Spartan-3 FPGAs                                      |
| ADPCM, 128 Simplex (CS4125)                                    | Amphion Semiconductor, Ltd. | AllianceCORE   | X        | Spartan-3, Spartan-III FPGAs                         |
| ADPCM, 16 Simplex (CS4110)                                     | Amphion Semiconductor, Ltd. | AllianceCORE   | X        | Spartan-3, Spartan-III FPGAs                         |
| Convolutional Encoder                                          | Xilinx, Inc.                | LogiCORE       |          | Spartan-3E, Spartan-3, Spartan-III, Spartan-II FPGAs |
| CORDIC                                                         | Xilinx, Inc.                | LogiCORE       |          | Spartan-3E, Spartan-3, Spartan-III, Spartan-II FPGAs |
| Digital Up Converter                                           | Xilinx, Inc.                | LogiCORE       |          | Spartan-3 FPGAs                                      |
| Direct Digital Synthesizer                                     | Xilinx, Inc.                | LogiCORE       |          | Spartan-3E, Spartan-3, Spartan-III, Spartan-II FPGAs |
| Discrete Wavelet Transform (BA113FDWT)                         | Barco-Silex                 | AllianceCORE   | X        | Spartan-3 FPGAs                                      |



Table 14-1: Spartan-3 Generation IP Cores Support (Continued)

| Product Name                               | Vendor                                 | Type           | SignOnce | Supported Devices                                        |
|--------------------------------------------|----------------------------------------|----------------|----------|----------------------------------------------------------|
| Divider                                    | Xilinx, Inc.                           | LogiCORE       |          | Spartan-3E, Spartan-3, Spartan-III, Spartan-II FPGAs     |
| DVB-S.2 FEC Encoder                        | Xilinx, Inc.                           | LogiCORE       | X        | Spartan-3A DSP, Spartan-3E, Spartan-3 FPGAs              |
| Fast Fourier Transform                     | Xilinx, Inc.                           | LogiCORE       |          | Spartan-3E, Spartan-3, Spartan-3A                        |
| FFT, Pipelined (Vectis HiSpeed)            | RF Engines, Ltd.                       | AllianceCORE   |          | Spartan-3 FPGAs                                          |
| FFT, Pipelined (Vectis-QuadSpeed)          | RF Engines, Ltd.                       | AllianceCORE   |          | Spartan-3 FPGAs                                          |
| FFT/IFFT (FC100)                           | Sundance Multiprocessor Technology Ltd | Candidate Core |          | Spartan-3 FPGAs                                          |
| FIR Compiler                               | Xilinx, Inc.                           | LogiCORE       |          | Spartan-3E, Spartan-3, Spartan-3A, Spartan-3A DSP        |
| Floating-Point Operators                   | Xilinx, Inc.                           | LogiCORE       |          | Spartan-3E, Spartan-3,                                   |
| High Data Rate Demodulator (Zaltys HDRM-D) | Silicon Infusion Limited               | Candidate Core | X        | Spartan-3 FPGAs                                          |
| IEEE 802.16E CTC Decoder                   | Xilinx, Inc.                           | LogiCORE       | X        | Spartan-3E, Spartan-II FPGAs                             |
| IEEE 802.16e CTC Encoder                   | Xilinx, Inc.                           | LogiCORE       |          | Spartan-3A DSP, Spartan-3E, Spartan-3, Spartan-3A FPGAs  |
| IEEE 802.16e LDPC Encoder                  | Xilinx, Inc.                           | LogiCORE       |          | Spartan-3E, Spartan-3 FPGAs                              |
| J.83 Universal Modulator Annex A/C         | Xilinx, Inc.                           | LogiCORE       | X        | Spartan-3 FPGAs                                          |
| J.83 Universal Modulator Annex B           | Xilinx, Inc.                           | LogiCORE       | X        | Spartan-3 FPGAs                                          |
| Linear Feedback Shift Register (LFSR)      | Xilinx, Inc.                           | LogiCORE       |          | Spartan-3, Spartan-III FPGAs                             |
| Reed-Solomon Decoder (RSDX1)               | ASICS World Service, Ltd.              | Candidate Core | X        | Spartan-3, Spartan-III FPGAs                             |
| Reed-Solomon Decoder                       | Xilinx, Inc.                           | LogiCORE       | X        | Spartan-3E, Spartan-3, Spartan-3A FPGAs                  |
| Reed-Solomon Encoder (RSEX1)               | ASICS World Service, Ltd.              | Candidate Core | X        | Spartan-3, Spartan-III FPGAs                             |
| Reed-Solomon Encoder                       | Xilinx, Inc.                           | LogiCORE       | X        | Spartan-3A DSP, Spartan-3E, Spartan-3, Spartan-III FPGAs |
| Sine Cosine Look Up Table                  | Xilinx, Inc.                           | LogiCORE       |          | Spartan-3E, Spartan-3, Spartan-III, Spartan-II FPGAs     |



**Table 14-1: Spartan-3 Generation IP Cores Support (Continued)**

| Product Name                                   | Vendor                                 | Type           | SignOnce | Supported Devices                                                    |
|------------------------------------------------|----------------------------------------|----------------|----------|----------------------------------------------------------------------|
| TMS32025 DSP Processor (C32025)                | CAST, Inc.                             | AllianceCORE   | X        | Spartan-3, Spartan-IIE FPGAs                                         |
| TMS32025TX Digital Signal Processor (C32025TX) | CAST, Inc.                             | AllianceCORE   | X        | Spartan-3, Spartan-IIE FPGAs                                         |
| Turbo Product Code (TPC) Decoder               | Xilinx, Inc.                           | LogiCORE       |          | Spartan-3 FPGAs                                                      |
| Turbo Product Code (TPC) Encoder               | Xilinx, Inc.                           | LogiCORE       |          | Spartan-3 FPGAs                                                      |
| Viterbi Decoder                                | Xilinx, Inc.                           | LogiCORE       | X        | Spartan-3E, Spartan-3, Spartan-3A, Spartan-IIE FPGAs                 |
| Viterbi Decoder, (IEEE 802-Compatible)         | Xilinx, Inc.                           | LogiCORE       | X        | Spartan-3A DSP, Spartan-3A, Spartan-3E, Spartan-3, Spartan-IIE FPGAs |
| WiMAX FEC Pack                                 | Xilinx, Inc.                           | LogiCORE       | X        | Spartan-3E, Spartan-3 FPGAs                                          |
| <b>Math</b>                                    |                                        |                |          |                                                                      |
| Accumulator                                    | Xilinx, Inc.                           | LogiCORE       |          | Spartan-3E, Spartan-3, Spartan-IIE, Spartan-II FPGAs                 |
| Adder/Subtractor                               | Xilinx, Inc.                           | LogiCORE       |          | Spartan-3E, Spartan-3, Spartan-IIE, Spartan-II FPGAs                 |
| Comparator                                     | Xilinx, Inc.                           | LogiCORE       |          | Spartan-3E, Spartan-3 FPGAs                                          |
| Complex Multiplier                             | Xilinx, Inc.                           | LogiCORE       |          | Spartan-3A, Spartan-3A DSP, Spartan-3E, Spartan-3 FPGAs              |
| CORDIC                                         | Xilinx, Inc.                           | LogiCORE       |          | Spartan-3E, Spartan-3, Spartan-IIE, Spartan-II FPGAs                 |
| Discrete Wavelet Transform (BA113FDWT)         | Barco-Silex                            | AllianceCORE   | X        | Spartan-3 FPGAs                                                      |
| FFT, Pipelined (Vectis HiSpeed)                | RF Engines, Ltd.                       | AllianceCORE   |          | Spartan-3 FPGAs                                                      |
| FFT, Pipelined (Vectis-QuadSpeed)              | RF Engines, Ltd.                       | AllianceCORE   |          | Spartan-3 FPGAs                                                      |
| FFT/IFFT (FC100)                               | Sundance Multiprocessor Technology Ltd | Candidate Core |          | Spartan-3 FPGAs                                                      |
| Floating Point Adder (DFPADD)                  | Digital Core Design                    | AllianceCORE   | X        | Spartan-3E, Spartan-3, Spartan-IIE FPGAs                             |
| Floating Point Comparator (DFPCOMP)            | Digital Core Design                    | AllianceCORE   | X        | Spartan-3E, Spartan-3 FPGAs                                          |
| Floating Point Divider (DFPDIV)                | Digital Core Design                    | AllianceCORE   | X        | Spartan-3E, Spartan-3, Spartan-IIE FPGAs                             |

Table 14-1: Spartan-3 Generation IP Cores Support (Continued)

| Product Name                                  | Vendor              | Type         | SignOnce | Supported Devices                                                                |
|-----------------------------------------------|---------------------|--------------|----------|----------------------------------------------------------------------------------|
| Floating Point Multiplier (DFPMUL)            | Digital Core Design | AllianceCORE | X        | Spartan-3E, Spartan-3, Spartan-III FPGAs                                         |
| Floating Point Square Root Operator (DFPSQRT) | Digital Core Design | AllianceCORE | X        | Spartan-3E, Spartan-3 FPGAs                                                      |
| Floating Point to Integer Converter (DFP2INT) | Digital Core Design | AllianceCORE | X        | Spartan-3E, Spartan-3 FPGAs                                                      |
| Floating-Point Operators                      | Xilinx, Inc.        | LogiCORE     |          | Spartan-3E, Spartan-3                                                            |
| Integer to Floating Point Converter (DINT2FP) | Digital Core Design | AllianceCORE | X        | Spartan-3E, Spartan-3 FPGAs                                                      |
| Multiplier Accumulator                        | Xilinx, Inc.        | LogiCORE     |          | Spartan-3E, Spartan-3, Spartan-III, Spartan-II FPGAs                             |
| Multiplier                                    | Xilinx, Inc.        | LogiCORE     |          | Spartan-3E, Spartan-3, Spartan-III, Spartan-II FPGAs                             |
| Sine Cosine Look Up Table                     | Xilinx, Inc.        | LogiCORE     |          | Spartan-3E, Spartan-3, Spartan-III, Spartan-II FPGAs                             |
| <b>Memory Interface and Storage Element</b>   |                     |              |          |                                                                                  |
| Asynchronous FIFO                             | Xilinx, Inc.        | LogiCORE     |          | Spartan-3A DSP, Spartan-3A, Spartan-3E, Spartan-3, Spartan-III, Spartan-II FPGAs |
| Block Memory Generator                        | Xilinx, Inc.        | LogiCORE     | X        | Spartan-3A DSP, Spartan-3A, Spartan-3E, Spartan-3, Spartan-III, Spartan-II FPGAs |
| BUFT-based Multiplexer Slice                  | Xilinx, Inc.        | LogiCORE     |          | Spartan-3A DSP, Spartan-3A, Spartan-3E, Spartan-3, Spartan-III, Spartan-II FPGAs |
| Content Addressable Memory (CAM)              | Xilinx, Inc.        | LogiCORE     |          | Spartan-3A DSP, Spartan-3A, Spartan-3E, Spartan-3, Spartan-III, Spartan-II FPGAs |
| Distributed Memory Generator                  | Xilinx, Inc.        | LogiCORE     | X        | Spartan-3A DSP, Spartan-3A, Spartan-3E, Spartan-3, Spartan-III, Spartan-II FPGAs |
| Distributed Memory                            | Xilinx, Inc.        | LogiCORE     |          | Spartan-3A DSP, Spartan-3A, Spartan-3E, Spartan-3, Spartan-III, Spartan-II FPGAs |

**Table 14-1: Spartan-3 Generation IP Cores Support (Continued)**

| Product Name                          | Vendor              | Type           | SignOnce | Supported Devices                                                                |
|---------------------------------------|---------------------|----------------|----------|----------------------------------------------------------------------------------|
| Dual-Port Block Memory                | Xilinx, Inc.        | LogiCORE       |          | Spartan-3A DSP, Spartan-3A, Spartan-3E, Spartan-3, Spartan-IIE, Spartan-II FPGAs |
| FD-based Parallel Register            | Xilinx, Inc.        | LogiCORE       |          | Spartan-3A DSP, Spartan-3A, Spartan-3E, Spartan-3, Spartan-IIE, Spartan-II FPGAs |
| FD-based Shift Register               | Xilinx, Inc.        | LogiCORE       |          | Spartan-3A DSP, Spartan-3A, Spartan-3E, Spartan-3, Spartan-IIE, Spartan-II FPGAs |
| FIFO Generator                        | Xilinx, Inc.        | LogiCORE       |          | Spartan-3A DSP, Spartan-3A, Spartan-3E, Spartan-3, Spartan-IIE, Spartan-II FPGAs |
| LD-based Parallel Latch               | Xilinx, Inc.        | LogiCORE       |          | Spartan-3A DSP, Spartan-3A, Spartan-3E, Spartan-3, Spartan-IIE, Spartan-II FPGAs |
| RAM-based Shift Register              | Xilinx, Inc.        | LogiCORE       |          | Spartan-3A DSP, Spartan-3A, Spartan-3E, Spartan-3, Spartan-IIE, Spartan-II FPGAs |
| SDRAM Controller, DDR (DDR-XS-XILINX) | Array Electronics   | AllianceCORE   | X        | Spartan-3 FPGAs                                                                  |
| SDRAM Controller, DDR (NWL)           | Northwest Logic     | AllianceCORE   | X        | Spartan-3E, Spartan-3, Spartan-IIE FPGAs                                         |
| SDRAM Controller, DDR/DDR2 (EP532)    | Eureka Technology   | Candidate Core | X        | Spartan-3E, Spartan-3 FPGAs                                                      |
| SDRAM Controller, DDR2 (NWL)          | Northwest Logic     | AllianceCORE   | X        | Spartan-XL, Spartan-3 FPGAs                                                      |
| SDRAM Controller, SDR (NWL)           | Northwest Logic     | AllianceCORE   | X        | Spartan-3E, Spartan-3, Spartan-IIE FPGAs                                         |
| SDRAM Controller, SDR (SDR-XS-XILINX) | Array Electronics   | Candidate Core | X        | Spartan-3E, Spartan-3 FPGAs                                                      |
| Single-Port Block Memory              | Xilinx, Inc.        | LogiCORE       |          | Spartan-3A, Spartan-3A DSP, Spartan-3E, Spartan-3, Spartan-IIE, Spartan-II FPGAs |
| Synchronous FIFO                      | Xilinx, Inc.        | LogiCORE       |          | Spartan-3, Spartan-IIE, Spartan-II FPGAs                                         |
| <b>Embedded Processing</b>            |                     |                |          |                                                                                  |
| 16550 UART w/ FIFOs (D16550)          | Digital Core Design | AllianceCORE   | X        | Spartan-3E, Spartan-3, Spartan-IIE FPGAs                                         |

Table 14-1: Spartan-3 Generation IP Cores Support (Continued)

| Product Name                                            | Vendor                        | Type           | SignOnce | Supported Devices                        |
|---------------------------------------------------------|-------------------------------|----------------|----------|------------------------------------------|
| 16750 UART w/ FIFOs (D16750)                            | Digital Core Design           | Candidate Core | X        | Spartan-3E, Spartan-3, Spartan-III FPGAs |
| 16750 UART w/FIFOs and sync CPU Interface (H16750S)     | CAST, Inc.                    | Candidate Core | X        | Spartan-3E, Spartan-3 FPGAs              |
| 2910A Microprogram Controller (C2910A)                  | CAST, Inc.                    | AllianceCORE   | X        | Spartan-3E, Spartan-3 FPGAs              |
| 68000 Compatible Microprocessor (C68000)                | CAST, Inc.                    | AllianceCORE   | X        | Spartan-3, Spartan-III FPGAs             |
| 68681 DUART (ML68681)                                   | Millogic Ltd                  | Candidate Core |          | Spartan-3E, Spartan-3 FPGAs              |
| 8051 High-speed 8-bit RISC Microcontroller (R80515)     | CAST, Inc.                    | AllianceCORE   | X        | Spartan-3, Spartan-III FPGAs             |
| 8051 Microcontroller, PicoBlaze Emulated (PB8051-MX/TF) | Roman-Jones, Inc.             | AllianceCORE   | X        | Spartan-3E, Spartan-3, Spartan-III FPGAs |
| 80C51 Compatible RISC Microcontroller (R8051)           | CAST, Inc.                    | AllianceCORE   | X        | Spartan-3, Spartan-III FPGAs             |
| 82C51 USART (ML82C51)                                   | Millogic Ltd                  | Candidate Core |          | Spartan-3E, Spartan-3 FPGAs              |
| 85C30 Serial Communication Controller (ML85C30)         | Millogic Ltd                  | Candidate Core |          | Spartan-3E, Spartan-3 FPGAs              |
| ATA Host Controller (HCL ATA)                           | HCL Technologies Ltd.         | AllianceCORE   | X        | Spartan-3, Spartan-III FPGAs             |
| ATA-4/UDMA-33 IDE Host (Nuvation)                       | Nuvation Research Corporation | Candidate Core |          | Spartan-3E, Spartan-3 FPGAs              |
| ATA-5/UDMA-66 IDE Host (Nuvation)                       | Nuvation Research Corporation | Candidate Core |          | Spartan-3E, Spartan-3 FPGAs              |
| Block RAM (BRAM) Block (v1.00a)                         | Xilinx, Inc.                  | LogiCORE       |          | Spartan-3, Spartan-III, Spartan-II FPGAs |
| CAN Bus Controller (MC-XIL-OPB-XCAN)                    | Avnet Design Services         | AllianceCORE   | X        | Spartan-3, Spartan-III FPGAs             |
| Channelized Direct Memory Access and Scatter Gather     | Xilinx, Inc.                  | LogiCORE       |          | Spartan-3, Spartan-III, Spartan-II FPGAs |
| ChipScope OPB IBA                                       | Xilinx, Inc.                  | LogiCORE       |          | Spartan-3, Spartan-III, Spartan-II FPGAs |
| ChipScope PLB IBA                                       | Xilinx, Inc.                  | LogiCORE       |          | Spartan-3, Spartan-III, Spartan-II FPGAs |
| Compact Video Controller (logiCVC)                      | Xylon d.o.o.                  | AllianceCORE   | X        | Spartan-3E, Spartan-3, Spartan-III FPGAs |
| DCR Interrupt Controller (DO-EDK)                       | Xilinx, Inc.                  | LogiCORE       |          | Spartan-3, Spartan-III, Spartan-II FPGAs |
| Digital Clock Manager (DCM) Module                      | Xilinx, Inc.                  | LogiCORE       |          | Spartan-3 FPGAs                          |

**Table 14-1: Spartan-3 Generation IP Cores Support (Continued)**

| Product Name                                      | Vendor                    | Type           | SignOnce | Supported Devices                                    |
|---------------------------------------------------|---------------------------|----------------|----------|------------------------------------------------------|
| Fixed Interval Timer (FIT)                        | Xilinx, Inc.              | LogiCORE       |          | Spartan-3, Spartan-3A, Spartan-IIE, Spartan-II FPGAs |
| FSL_V20                                           | Xilinx, Inc.              | LogiCORE       |          | Spartan-3, Spartan-3A, Spartan-IIE, Spartan-II FPGAs |
| IPsec ESP Security Engine (Helion)                | Helion Technology Limited | AllianceCORE   | X        | Spartan-3E, Spartan-3 FPGAs                          |
| LMB BRAM Interface Controller                     | Xilinx, Inc.              | LogiCORE       |          | Spartan-3, Spartan-3A, Spartan-IIE, Spartan-II FPGAs |
| MC68230 Parallel Interface/Timer (ML68230)        | Millogic Ltd              | Candidate Core |          | Spartan-3E, Spartan-3 FPGAs                          |
| MicroBlaze Parameterized Netlist                  | Xilinx, Inc.              | LogiCORE       |          | Spartan-3, Spartan-IIE, Spartan-II FPGAs             |
| Multi Channel OPB DDR Controller                  | Xilinx, Inc.              | LogiCORE       |          | Spartan-3, Spartan-3A FPGAs                          |
| Multi Channel OPB DDR2 Controller                 | Xilinx, Inc.              | LogiCORE       |          | Spartan-3, Spartan-3A FPGAs                          |
| Multi Channel OPB EMC Controller                  | Xilinx, Inc.              | LogiCORE       |          | Spartan-3, Spartan-3A FPGAs                          |
| Multi-Channel-OPB (MCH_OPB) SDRAM Controller      | Xilinx, Inc.              | LogiCORE       |          | Spartan-3, Spartan-3A, Spartan-IIE, Spartan-II FPGAs |
| OPB 16550 UART Controller                         | Xilinx, Inc.              | LogiCORE       |          | Spartan-3, Spartan-3A, Spartan-IIE FPGAs             |
| OPB Arbiter                                       | Xilinx, Inc.              | LogiCORE       |          | Spartan-3, Spartan-IIE FPGAs                         |
| OPB ATM Utopia Level 2 Master and Slave           | Xilinx, Inc.              | LogiCORE       |          | Spartan-3, Spartan-IIE FPGAs                         |
| OPB BRAM Controller                               | Xilinx, Inc.              | LogiCORE       |          | Spartan-3, Spartan-3A, Spartan-IIE FPGAs             |
| OPB Bus Structure                                 | Xilinx, Inc.              | LogiCORE       |          | Spartan-3E, Spartan-3, Spartan-3A, Spartan-IIE FPGAs |
| OPB Central DMA Controller                        | Xilinx, Inc.              | LogiCORE       |          | Spartan-3, Spartan-3A, Spartan-IIE, Spartan-II FPGAs |
| OPB DDR SDRAM Controller                          | Xilinx, Inc.              | LogiCORE       |          | Spartan-3E, Spartan-3, Spartan-3A, Spartan-IIE FPGAs |
| OPB Delta-Sigma Analog to Digital Converter (ADC) | Xilinx, Inc.              | LogiCORE       |          | Spartan-3, Spartan-3A, Spartan-IIE, Spartan-II FPGAs |

Table 14-1: Spartan-3 Generation IP Cores Support (Continued)

| Product Name                                           | Vendor              | Type         | SignOnce | Supported Devices                                    |
|--------------------------------------------------------|---------------------|--------------|----------|------------------------------------------------------|
| OPB Delta-Sigma Digital to Analog Converter (DAC)      | Xilinx, Inc.        | LogiCORE     |          | Spartan-3, Spartan-3A, Spartan-IIE, Spartan-II FPGAs |
| OPB EMC (DO-EDK)                                       | Xilinx, Inc.        | LogiCORE     |          | Spartan-3, Spartan-3A, Spartan-IIE, Spartan-II FPGAs |
| OPB GPIO                                               | Xilinx, Inc.        | LogiCORE     |          | Spartan-3, Spartan-3A, Spartan-IIE FPGAs             |
| OPB IIC Master and Slave Bus Controller (DO-DI-IIC-SD) | Xilinx, Inc.        | LogiCORE     |          | Spartan-3, Spartan-3A, Spartan-IIE FPGAs             |
| OPB Interrupt Controller                               | Xilinx, Inc.        | LogiCORE     |          | Spartan-3, Spartan-3A, Spartan-IIE FPGAs             |
| OPB IPIF Architecture                                  | Xilinx, Inc.        | LogiCORE     |          | Spartan-3E, Spartan-3, Spartan-3A, Spartan-IIE FPGAs |
| OPB PCI Arbiter                                        | Xilinx, Inc.        | LogiCORE     |          | Spartan-3, Spartan-3A, Spartan-II FPGAs              |
| OPB SDRAM Controller                                   | Xilinx, Inc.        | LogiCORE     |          | Spartan-3, Spartan-3A, Spartan-II FPGAs              |
| OPB Single Channel HDLC Controller                     | Xilinx, Inc.        | LogiCORE     |          | Spartan-3, Spartan-II FPGAs                          |
| OPB SPI Master and Slave Bus Controller                | Xilinx, Inc.        | LogiCORE     |          | Spartan-3, Spartan-3A, Spartan-IIE FPGAs             |
| OPB System ACE Interface Controller (DO-EDK)           | Xilinx, Inc.        | LogiCORE     |          | Spartan-3, Spartan-IIE FPGAs                         |
| OPB TimeBase/WatchDog Timer (WDT)                      | Xilinx, Inc.        | LogiCORE     |          | Spartan-3, Spartan-3A, Spartan-IIE FPGAs             |
| OPB Timer/Counter                                      | Xilinx, Inc.        | LogiCORE     |          | Spartan-3, Spartan-3A, Spartan-IIE FPGAs             |
| OPB to OPB Bridge (Lite Version)                       | Xilinx, Inc.        | LogiCORE     |          | Spartan-3, Spartan-IIE FPGAs                         |
| OPB UART 16450 Controller                              | Xilinx, Inc.        | LogiCORE     |          | Spartan-3, Spartan-3A, Spartan-II FPGAs              |
| OPB UART Lite                                          | Xilinx, Inc.        | LogiCORE     |          | Spartan-3, Spartan-3A, Spartan-IIE FPGAs             |
| OPB ZBT Controller (DO-EDK)                            | Xilinx, Inc.        | LogiCORE     |          | Spartan-3, Spartan-IIE FPGAs                         |
| OPB/PLB PCI32 Interface                                | Xilinx, Inc.        | LogiCORE     |          | Spartan-3, Spartan-3A, Spartan-IIE FPGAs             |
| PCI Host Bridge (PCI-HB)                               | CAST, Inc.          | AllianceCORE | X        | Spartan-3, Spartan-IIE FPGAs                         |
| PIC1655x Fast RISC Microcontroller (DFPIC1655X)        | Digital Core Design | AllianceCORE | X        | Spartan-3E, Spartan-3, Spartan-IIE FPGAs             |

**Table 14-1: Spartan-3 Generation IP Cores Support (Continued)**

| Product Name                                                   | Vendor                    | Type           | SignOnce | Supported Devices                        |
|----------------------------------------------------------------|---------------------------|----------------|----------|------------------------------------------|
| PIC16C55x Fast RISC Microcontroller (DRPIC1655X)               | Digital Core Design       | AllianceCORE   | X        | Spartan-3E, Spartan-3, Spartan-III FPGAs |
| PIC16C6x Fast RISC Microcontroller (DRPIC166X)                 | Digital Core Design       | AllianceCORE   | X        | Spartan-3E, Spartan-3, Spartan-III FPGAs |
| PicoBlaze for Spartan-3, Virtex-II, and Virtex-II Pro FPGAs    | Xilinx, Inc.              |                |          | Spartan-3 FPGAs                          |
| PLB ATMC                                                       | Xilinx, Inc.              | LogiCORE       |          | Spartan-3, Spartan-III FPGAs             |
| PLB Ethernet 10/100 Mbps Media Access Controller (PLB EMAC)    | Xilinx, Inc.              | LogiCORE       |          | Spartan-3, Spartan-3A, Spartan-III FPGAs |
| PLB to OPB Bridge (DO-EDK)                                     | Xilinx, Inc.              | LogiCORE       |          | Spartan-3, Spartan-III FPGAs             |
| PowerPC Bus Master (EP201)                                     | Eureka Technology         | AllianceCORE   | X        | Spartan-3, Spartan-III FPGAs             |
| PowerPC Bus Slave (EP100)                                      | Eureka Technology         | AllianceCORE   | X        | Spartan-3, Spartan-III FPGAs             |
| SD/SDIO/MMC Host Controller (SDMMCH1)                          | ASICS World Service, Ltd. | Candidate Core | X        | Spartan-3E, Spartan-3, Spartan-III FPGAs |
| SDRAM Controller, DDR (EP525)                                  | Eureka Technology         | AllianceCORE   | X        | Spartan-3, Spartan-III FPGAs             |
| SDRAM Controller, DDR (NWL)                                    | Northwest Logic           | AllianceCORE   | X        | Spartan-3E, Spartan-3, Spartan-III FPGAs |
| SDRAM Controller, DDR/DDR2 (EP532)                             | Eureka Technology         | Candidate Core | X        | Spartan-3E, Spartan-3 FPGAs              |
| SDRAM Controller, DDR2 (NWL)                                   | Northwest Logic           | AllianceCORE   | X        | Spartan-XL, Spartan-3 FPGAs              |
| SDRAM Controller, SDR (NWL)                                    | Northwest Logic           | AllianceCORE   | X        | Spartan-3E, Spartan-3, Spartan-III FPGAs |
| SDRAM Controller, SDR (SDR-XS-XILINX)                          | Array Electronics         | Candidate Core | X        | Spartan-3E, Spartan-3 FPGAs              |
| Smart Card Interface (HCLT SCI)                                | HCL Technologies Ltd.     | Candidate Core | X        | Spartan-3, Spartan-III FPGAs             |
| TDES AMBA Platform                                             | SoC Solutions, LLC        | AllianceCORE   | X        | Spartan-3, Spartan-III FPGAs             |
| TMS32025 DSP Processor (C32025)                                | CAST, Inc.                | AllianceCORE   | X        | Spartan-3, Spartan-III FPGAs             |
| TMS32025TX Digital Signal Processor (C32025TX)                 | CAST, Inc.                | AllianceCORE   | X        | Spartan-3, Spartan-III FPGAs             |
| UART, Generic Compact (MC-XIL-<br>UART)                        | Memec Design              | AllianceCORE   | X        | Spartan-3 FPGAs                          |
| USB Function Controller with On-Chip Peripheral Bus (CUSB_OPB) | CAST, Inc.                | AllianceCORE   | X        | Spartan-3, Spartan-III FPGAs             |

Table 14-1: Spartan-3 Generation IP Cores Support (Continued)

| Product Name                                        | Vendor                | Type           | SignOnce | Supported Devices                        |
|-----------------------------------------------------|-----------------------|----------------|----------|------------------------------------------|
| Util Bus Split Operation                            | Xilinx, Inc.          | LogiCORE       |          | Spartan-3, Spartan-IIE, Spartan-II FPGAs |
| Util Flop-Flop                                      | Xilinx, Inc.          | LogiCORE       |          | Spartan-3, Spartan-IIE, Spartan-II FPGAs |
| Util Reduced Logic                                  | Xilinx, Inc.          | LogiCORE       |          | Spartan-3, Spartan-IIE, Spartan-II FPGAs |
| Util Vector Logic                                   | Xilinx, Inc.          | LogiCORE       |          | Spartan-3, Spartan-IIE, Spartan-II FPGAs |
| VGA Compatible Cores (INT416-SM, INT416-SXGA)       | Intrinsix Corporation | Candidate Core |          | Spartan-3E, Spartan-3 FPGAs              |
| Z80 Compatible Programmable Counter/Timer (CZ80CTC) | CAST, Inc.            | AllianceCORE   | X        | Spartan-3, Spartan-IIE FPGAs             |
| Z80 Serial I/O Controller (CZ80SIO)                 | CAST, Inc.            | AllianceCORE   | X        | Spartan-3, Spartan-IIE FPGAs             |

## Related Materials and References

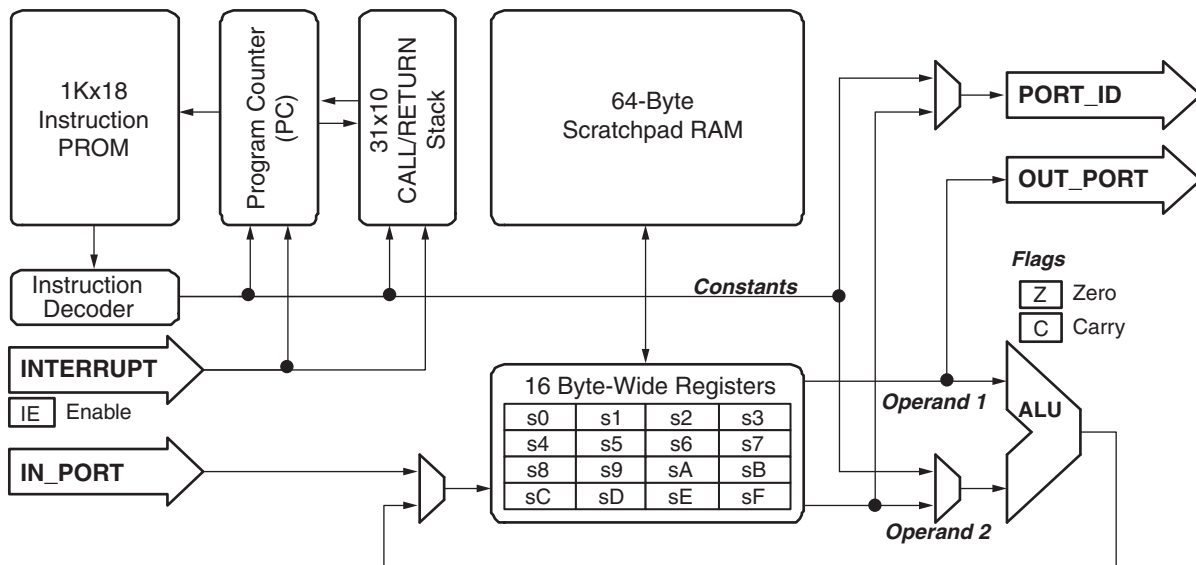
- Xilinx IP Center:  
<http://www.xilinx.com/ipcenter>
- IP Parametric Search  
<http://www.xilinx.com/products/ipcenter/advancedsearch.htm>
- DSP Design Tools  
[http://www.xilinx.com/ise/dsp\\_design\\_prod/index.htm](http://www.xilinx.com/ise/dsp_design_prod/index.htm)
- Embedded Design Tools  
[http://www.xilinx.com/ise/embedded\\_design\\_prod/index.htm](http://www.xilinx.com/ise/embedded_design_prod/index.htm)
- IP Updates (Download Center)  
<http://www.xilinx.com/support/download/index.htm>
- CORE Generation System Online Help  
<http://toolbox.xilinx.com/docsan/xilinx92/help/iseguide/mergedProjects/coregen/coregen.htm>



## Embedded Processing and Control Solutions

### Introduction

In a variety of applications, an embedded processor or controller is key to system flexibility, maintainability, and low cost. Spartan®-3 generation FPGAs support two powerful yet flexible Field Programmable Controller solutions, shown in Table 15-1. The PicoBlaze™ processor is a simple, highly efficient 8-bit RISC controller optimized for the Spartan-3 generation FPGA architecture (see Figure 15-1). The MicroBlaze™ processor is a powerful, full-featured, high-performance 32-bit RISC processor offering high-level language and real-time operating system (RTOS) support (see Figure 15-2).



UG331\_c17\_01\_082406

Figure 15-1: PicoBlaze Embedded Microcontroller Block Diagram

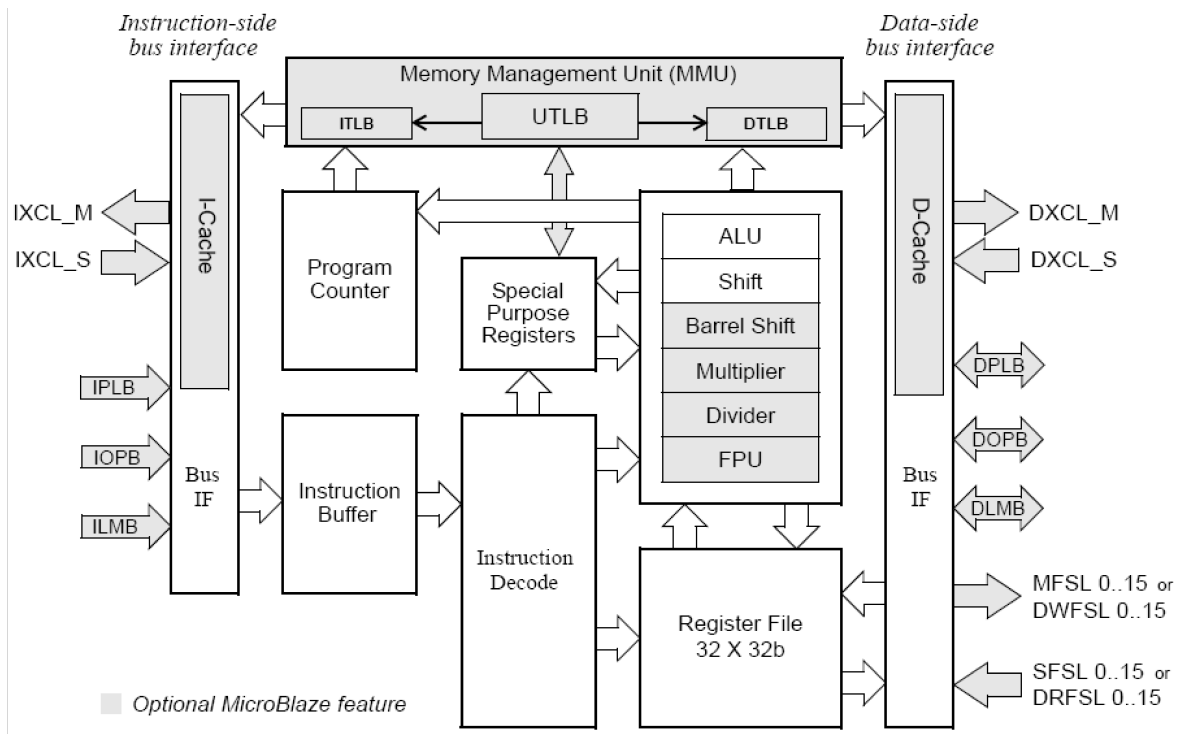


Figure 15-2: MicroBlaze Core Block Diagram

Table 15-1: Embedded Processing/Control Solutions for Spartan-3 Generation FPGAs

| Function/Feature         | PicoBlaze Processor                              | MicroBlaze Processor                       |
|--------------------------|--------------------------------------------------|--------------------------------------------|
| Processor Architecture   | 8-bit RISC controller                            | 32-bit RISC CPU                            |
| Typical Applications     | Embedded control, state machines, I/O processing | Embedded computation and control           |
| Memory Architecture      | Harvard<br>(separate data/code data paths)       | Harvard<br>(separate data/code data paths) |
| ALU/register width       | 8 bits (byte)                                    | 32 bits (word)                             |
| Registers                | 16 byte-wide                                     | 32 word-wide                               |
| Pipeline Stages          | 0                                                | 3                                          |
| Code Address Space       | 512 or 1K instructions                           | 512 to 4G bytes                            |
| Code Storage             | Block RAM (internal)                             | Block RAM (internal)<br>External memory    |
| Data Address Space       | 64 bytes (internal)                              | 0 to 4G bytes                              |
| Data Storage             | Distributed RAM (internal)                       | Block RAM (internal)<br>External memory    |
| I/O Address Space        | 256 locations                                    | N/A                                        |
| Processor Instructions   | 57                                               | 106                                        |
| Operands per Instruction | 2                                                | 3                                          |

**Table 15-1: Embedded Processing/Control Solutions for Spartan-3 Generation FPGAs (Continued)**

| Function/Feature                     | PicoBlaze Processor                             | MicroBlaze Processor                            |
|--------------------------------------|-------------------------------------------------|-------------------------------------------------|
| Clocks per Instruction               | 2                                               | 1 to 3, 34 for integer divide                   |
| Call/Return/Interrupt Stack          | 31 locations (internal)                         | Variable size, in data memory                   |
| Interrupts                           | 1, Expandable                                   | 1, Expandable                                   |
| Maximum Interrupt Latency            | 4 clock cycles<br>(46 ns at maximum clock rate) | 7 to 40 clock cycles<br>(application dependent) |
| Instruction Cache                    | N/A                                             | 64 to 64K                                       |
| Data Cache                           | N/A                                             | 64 to 64K                                       |
| Floating-Point Unit                  | N/A                                             | Optional, up to 120X performance improvement    |
| Hardware Multiplier                  | N/A                                             | 32x32 = 32 in 3 cycles                          |
| Hardware Divider                     | N/A                                             | Optional, up to 20% performance improvement     |
| Hardware Barrel Shifter              | N/A                                             | Optional, up to 15X performance improvement     |
| Hardware Debugger Support            | N/A                                             | XMD                                             |
| LocalLink Direct Processor Interface | N/A                                             | 200 MB/sec communication                        |

The PicoBlaze processor is always fully embedded within a Spartan-3 generation FPGA using on-chip block RAM and distributed RAM for code and data storage. The MicroBlaze processor optionally uses internal FPGA memory resources or interfaces to external memory to support larger code or data storage requirements. The Embedded Development Kit (EDK) for the MicroBlaze processor includes hardware IP cores to support external Flash, SRAM, SDRAM, DDR DRAM, and ZBT SRAM memory. Similarly, the MicroBlaze processor supports both instruction and data caches, each up to 64 Kbytes, to increase performance when connected to external memory.

**Table 15-2: PicoBlaze and MicroBlaze Resource Requirements and Performance**

| Function/Feature                                   | PicoBlaze Processor | MicroBlaze Processor |
|----------------------------------------------------|---------------------|----------------------|
| <b>Resource Requirements</b>                       |                     |                      |
| Slices (4 slices = 1 CLB)                          | 96                  | 525                  |
| Block RAMs                                         | 0.5 or 1            | 2+                   |
| Effective cost in high-volume applications (250Ku) | From US\$0.40       | From US\$1.40        |
| <b>Spartan-3A DSP FPGAs</b>                        |                     |                      |
| Percent of XC3SD1800A                              | 0.5% – 1%           | 3%+                  |
| Percent of XC3SD3400A                              | 0.5% – 1%           | 2%+                  |
| <b>Spartan-3A/3AN FPGAs</b>                        |                     |                      |
| Percent of XC3S50A/AN                              | 17%-33%             | 75%+                 |

Table 15-2: PicoBlaze and MicroBlaze Resource Requirements and Performance (Continued)

| Function/Feature                                   | PicoBlaze Processor | MicroBlaze Processor |
|----------------------------------------------------|---------------------|----------------------|
| Percent of XC3S200A/AN                             | 5%-6%               | 29%+                 |
| Percent of XC3S400A/AN                             | 3%-5%               | 15%+                 |
| Percent of XC3S700A/AN                             | 3%-5%               | 10%+                 |
| Percent of XC3S1400A/AN                            | 2%-3%               | 6%+                  |
| <b>Spartan-3E FPGAs</b>                            |                     |                      |
| Percent of XC3S100E                                | 10%-25%             | 55%+                 |
| Percent of XC3S250E                                | 4%-8%               | 21%+                 |
| Percent of XC3S500E                                | 3%-5%               | 11%+                 |
| Percent of XC3S1200E                               | 2%-4%               | 7%+                  |
| Percent of XC3S1600E                               | 2%-3%               | 6%+                  |
| <b>Spartan-3 FPGAs</b>                             |                     |                      |
| Percent of XC3S50                                  | 13% – 25%           | 68%+                 |
| Percent of XC3S200                                 | 5% – 8%             | 27%+                 |
| Percent of XC3S400                                 | 3% – 6%             | 15%+                 |
| Percent of XC3S1000                                | 2% – 4%             | 8%+                  |
| Percent of XC3S1500                                | 2% – 3%             | 6%+                  |
| Percent of XC3S2000                                | 1.3% – 3%           | 5%+                  |
| Percent of XC3S4000                                | 0.5% – 1%           | 2%+                  |
| Percent of XC3S5000                                | 0.5% – 1%           | 2%+                  |
| <b>Performance (Spartan-3 FPGA –5 speed grade)</b> |                     |                      |
| Maximum clock frequency                            | 87 MHz              | 100 MHz              |
| Instructions per second                            | 43.5M               | 92M                  |
| Dhrystone MIPS (D-MIPS)                            | N/A                 | 92                   |

Using Spartan-3 generation FPGAs, both MicroBlaze and PicoBlaze processors consume minimal FPGA resources and are highly cost effective, as shown in Table 15-2. Complete PicoBlaze solutions cost as little as \$0.40 in high-volume applications. MicroBlaze solutions start from \$1.40 in volume.

Both the MicroBlaze and PicoBlaze processors provide significant numbers of flexible I/O at much lower cost than off-the-shelf controllers. Similarly, the peripheral set for both processors can be customized to meet the specific feature, function, and cost requirements of the target application. Because both processors are delivered in synthesizable HDL, both cores are future-proof, safe from any possible product obsolescence. Being integrated into the FPGA, both processors reduce board space, design cost, and inventory.

## PicoBlaze Application Development Support

The PicoBlaze processor solution is a simple 8-bit RISC controller with an easy-to-use assembler. The PicoBlaze core has no direct support for in-system debugging although it can be debugged using the standard Xilinx JTAG-based interface. A simple instruction-set simulator is available.

The PicoBlaze reference design also includes UART transmitter and receiver macros with integrated 16-byte FIFOs. The UART supports 8-bit data, no parity, with one stop bit.

## MicroBlaze Application Development Support

The MicroBlaze processor offers complete application development support, including a full suite of software development tools, an IP library of processor hardware peripheral functions, plus in-circuit hardware debugger/emulation support.

### Embedded Development Kit (EDK)

The Embedded Development Kit (EDK) is an all-encompassing solution for creating embedded programmable systems design. The EDK includes and supports the MicroBlaze soft processor core.

#### Xilinx Platform Studio (XPS)

- Tools for editing software; creating hardware and software platforms
- Runs library generation, and compiler tool chains; generates implementation and simulation netlists for use with ISE® Logic Design Tools

#### GNU Software Development Tools

- C/C++ compiler for MicroBlaze cores (GNU gcc)
- Debugger for MicroBlaze cores (GNU gdb)
- Other GNU utilities

#### Hardware/Software Development Tools

- XMD - Xilinx Microprocessor Debug engine for MicroBlaze cores
- System ACE™ tools
- Data2MEM – Updates internal block RAM contents without recompiling the FPGA design

#### Board Support Packages (BSPs)

- Stand Alone BSP - For non-RTOS systems (MicroBlaze cores)

## Operating Systems

Many embedded processing applications require operating system capabilities. The following operating systems and real-time operating systems (RTOS) have ports to the MicroBlaze processor.

- Micrium µC/OS-II Real-Time Operating System  
<http://www.micrium.com/products/rtos/kernel/rtos.html>

- $\mu$ Clinux Operating System  
<http://www.uclinux.org>  
<http://www.itee.uq.edu.au/~jwilliams/mblaze-uclinux/>
- ATI Nucleus Real-Time Operating System  
<http://www.mentor.com/nucleus>
- Xilkernel Libraries
  - ◆ Highly modular scheduler, network stack, and file system
  - ◆ Minimal resource requirements and footprint size
  - ◆ Royalty-free license included with EDK purchase
  - ◆ Fully supported by Xilinx

## Processor Peripheral IP Functions

The EDK includes the following processor IP cores that support the MicroBlaze processor. The IP cores also include device drivers and RTOS adaptation layers. Add one or more IP cores to create a custom processor to meet specific application requirements.

### Processor Peripherals

- Timer/Counter
- Timebase/Watchdog Timer
- UART-Lite
- Interrupt Controller
- General-Purpose I/O port (GPIO)

### Serial I/O

- SPI Master and Slave
- JTAG UART
- 16450 UART\*
- 16550 UART\*
- I<sup>2</sup>C two-wire serial Master and Slave\*

### Memory Interfaces

- SDRAM controller and interface
- DDR SDRAM controller and interface
- Flash memory interface
- SRAM memory interface
- Block RAM interface

### Networking Interfaces

- Single-channel HDLC controller\*
- ATM Utopia L2 master and slave controller\*
- 10/100 Ethernet Media Access Controller (MAC)\* (Full and Lite versions)

\* IP core available as a separate product. Plugs into EDK. Evaluation versions available.

## In-Circuit Hardware Debugger Support

- EDK Software Debugger
  - ◆ Requires MicroBlaze Hardware Debug Module
  - ◆ Connects via FPGA JTAG port using Xilinx Parallel Cable IV

## Related Materials and References

- Xilinx Embedded Processing  
[http://www.xilinx.com/products/design\\_resources/proc\\_central/index.htm](http://www.xilinx.com/products/design_resources/proc_central/index.htm)
- MicroBlaze 32-bit RISC Processor  
<http://www.xilinx.com/microblaze>
- PicoBlaze 8-bit RISC Controller  
<http://www.xilinx.com/picoblaze>
- Platform Studio and the Embedded Development Kit (EDK)  
[http://www.xilinx.com/ise/embedded\\_design\\_prod/platform\\_studio.htm](http://www.xilinx.com/ise/embedded_design_prod/platform_studio.htm)
- Spartan-3E MicroBlaze Development Kit  
<http://www.xilinx.com/products/devkits/DO-SP3E1600E-DK-UNI-G.htm>
- Embedded Systems Development Training Course  
<http://www.xilinx.com/support/training/abstracts/embedded-systems.htm>







## *Section III: PCB Design Considerations*

*“Packages and Pinouts”*

*“Package Drawings”*

*“Powering Spartan-3 Generation FPGAs”*

*“Power Management Solutions”*

*“Using IBIS Models”*

*“Using Boundary-Scan and BSDL Files”*



## Packages and Pinouts

### Summary

This section describes the various pin functions on Spartan®-3 generation FPGAs and general information about the packages. For specific information on connections within the supported component packages, see Module 4 of the [individual data sheets](#). For package drawings, see [Chapter 17, “Package Drawings.”](#)

### Differences in Pinouts Between Spartan-3 Generation FPGAs

The Spartan-3A and Spartan-3AN platforms have identical pinouts for common part/package offerings, and there can be upward migration to the XC3SD1800A FG676 in the Spartan-3A DSP platform. See the data sheets for specific part/package offerings and information on pinout compatibility.

There are significant differences in pinouts between the Extended Spartan-3A, Spartan-3E, and Spartan-3 families. A device from one of those three groups cannot be used as a drop-in replacement for a device in another group because of the functional differences. Each group has a pinout optimized to its own unique features.

Within a family, however, there is pin compatibility, allowing the user to easily migrate to a larger density or optimize to a smaller device as required. Minor differences between densities might exist in a given package, and they are shown in the pinout tables found in Module 4 of the data sheet for each family.

There are also some differences in pin naming between the families due to improved naming conventions and improvements made in functionality. [Table 16-1](#) shows the pin naming differences.

**Table 16-1: Differences in Pin Names Between Families**

|                               | Spartan-3A/3AN/3A DSP FPGAs | Spartan-3E FPGAs | Spartan-3 FPGAs |
|-------------------------------|-----------------------------|------------------|-----------------|
| <b>Configuration</b>          |                             |                  |                 |
| Pull-Ups During Configuration | IO/PUDC_B                   | IO/HSWAP         | HSWAP_EN        |
| Low During Configuration      | IO/LDC2-LDC0                | IO/LDC2-LDC0     | N/A             |
| High During Configuration     | IO/HDC                      | IO/HDC           | N/A             |
| SPI Variant Select            | IO/V2-V0                    | IO/V2-V0         | N/A             |
| SPI Output                    | IO/MOSI                     | MOSI             | N/A             |
| Chip Select Input             | IO/CSI_B                    | IO/CSI_B         | IO/CS_B         |

Table 16-1: Differences in Pin Names Between Families (Continued)

|                      | Spartan-3A/3AN/3A DSP FPGAs | Spartan-3E FPGAs             | Spartan-3 FPGAs    |
|----------------------|-----------------------------|------------------------------|--------------------|
| Chip Select Output   | IO/CSO_B                    | IO/CSO_B                     | N/A                |
| Parallel Address     | IO/A25-A0                   | IO/A23-A0                    | N/A                |
| Parallel Status      | N/A                         | IO/BUSY                      | IO/BUSY            |
| Parallel Read/Write  | IO/RDWR_B                   | IO/RDWR_B/<br>GCLK0          | IO/RDWR_B          |
| Configuration Clock  | IO/CCLK                     | IO/CCLK                      | CCLK               |
| Mode                 | IO/M2-M0                    | IO/M2/GCLK1,<br>IO/M1, IO/M0 | M2-M0              |
| <b>User Function</b> |                             |                              |                    |
| Suspend              | SUSPEND                     | N/A                          | N/A                |
| Awake                | IO/AWAKE                    | N/A                          | N/A                |
| Input-Only           | IP_#                        | IP                           | N/A                |
| Global Clock         | IO/GCLK15-GCLK0             | IO/GCLK15-<br>GCLK0/D7-D1    | IO/GCLK7-<br>GCLK0 |
| Left Half Clock      | IO/LHCLK7-LHCLK0            | IO/LHCLK7-<br>LHCLK0         | N/A                |
| Right Half Clock     | IO/RHCLK7-RHCLK0            | IO/RHCLK7-<br>RHCLK0/A10-A3  | N/A                |
| DCI Reference Inputs | N/A                         | N/A                          | IO/VRN,<br>IO/VRP  |

**Notes:**

1. # = I/O bank number, an integer between 0 and 3 (7 for the Spartan-3 family).

## Pin Types

Most pins on a Spartan-3 generation FPGA are general-purpose, user-defined I/O pins. There are, however, up to 12 different functional types of pins on Spartan-3 generation packages, as outlined in [Table 16-2](#). The color coding is used in the package footprint drawings that are found in Module 4 of each data sheet.

Table 16-2: Types of Pins on Spartan-3 Generation FPGAs

| Type / Color Code | Description                                                                                                                                                                                                                                                                                                                                                                                       | Pin Name(s) in Type                                                                                                                                                                                                                |
|-------------------|---------------------------------------------------------------------------------------------------------------------------------------------------------------------------------------------------------------------------------------------------------------------------------------------------------------------------------------------------------------------------------------------------|------------------------------------------------------------------------------------------------------------------------------------------------------------------------------------------------------------------------------------|
| I/O               | Unrestricted, general-purpose user-I/O pin. Most pins can be paired together to form differential I/Os.                                                                                                                                                                                                                                                                                           | IO_#<br>IO_Lxy_#                                                                                                                                                                                                                   |
| INPUT             | Unrestricted, general-purpose input-only pin. This pin does not have an output structure.                                                                                                                                                                                                                                                                                                         | IP_#<br>IP_Lxy_#                                                                                                                                                                                                                   |
| DUAL              | Dual-purpose pin used in some configuration modes during the configuration process and then usually available as a user I/O after configuration. If the pin is not used during configuration, this pin behaves as an I/O-type pin. See <a href="#">UG332: Spartan-3 Generation Configuration User Guide</a> for additional information on these signals.                                          | M[2:0]<br>PUDC_B (Spartan-3A/3AN/3A DSP FPGA)<br>HSWAP (Spartan-3E FPGA)<br>HSWAP_EN (Spartan-3 FPGA)<br>CCLK<br>MOSI/CSI_B<br>D[7:1]<br>D0/DIN<br>CSO_B<br>RDWR_B<br>BUSY/DOUT<br>INIT_B<br>A[25:0]<br>VS[2:0]<br>LDC[2:0]<br>HDC |
| VREF              | Dual-purpose pin that is either a user-I/O pin or Input-only pin, or, along with all other V <sub>REF</sub> pins in the same bank, provides a reference voltage input for certain I/O standards. If used for a reference voltage within a bank, all V <sub>REF</sub> pins within the bank must be connected.                                                                                      | IP/VREF_#<br>IP_Lxx_#/VREF_#<br>IO/VREF_#<br>IO_Lxx_#/VREF_#                                                                                                                                                                       |
| CLK               | Either a user-I/O pin or an input to a specific clock buffer driver. Every package has 16 global clock inputs that optionally clock the entire device. The RHCLK inputs optionally clock the right-half of the device. The LHCLK inputs optionally clock the left-half of the device. See <a href="#">Chapter 2, "Using Global Clock Resources,"</a> for additional information on these signals. | IO_Lxx_#/GCLK[15:0],<br>IO_Lxx_#/LHCLK[7:0],<br>IO_Lxx_#/RHCLK[7:0]                                                                                                                                                                |
| CONFIG            | Dedicated configuration pin. Not available as a user-I/O pin. Every package has three dedicated configuration pins. These pins are powered by V <sub>CCAUX</sub> . See <a href="#">UG332: Spartan-3 Generation Configuration User Guide</a> for additional information on these signals.                                                                                                          | DONE, PROG_B                                                                                                                                                                                                                       |
| PWRMGMT           | Control and status pins for the Spartan-3A/3AN/3A DSP power-saving Suspend mode. SUSPEND is a dedicated pin. AWAKE is a Dual-Purpose pin and an I/O if Suspend mode is not enabled.                                                                                                                                                                                                               | SUSPEND, AWAKE                                                                                                                                                                                                                     |

Table 16-2: Types of Pins on Spartan-3 Generation FPGAs (Continued)

| Type / Color Code | Description                                                                                                                                                                                                                                                                                                                                                                                                                                                                                                              | Pin Name(s) in Type |
|-------------------|--------------------------------------------------------------------------------------------------------------------------------------------------------------------------------------------------------------------------------------------------------------------------------------------------------------------------------------------------------------------------------------------------------------------------------------------------------------------------------------------------------------------------|---------------------|
| JTAG              | Dedicated JTAG pin. Not available as a user-I/O pin. Every package has four dedicated JTAG pins. These pins are powered by $V_{CCAUX}$ .                                                                                                                                                                                                                                                                                                                                                                                 | TDI, TMS, TCK, TDO  |
| GND               | Dedicated ground pin. The number of GND pins depends on the package used. All must be connected.                                                                                                                                                                                                                                                                                                                                                                                                                         | GND                 |
| VCCAUX            | Dedicated auxiliary power supply pin. The number of $V_{CCAUX}$ pins depends on the package used. All must be connected. See Chapter 18, “Powering Spartan-3 Generation FPGAs,” for additional information on this signal. $V_{CCAUX}$ is 2.5V in Spartan-3 and Spartan-3E families. Extended Spartan-3A family devices can have $V_{CCAUX}$ at either 2.5V or 3.3V and the user should set CONFIG $V_{CCAUX} = 2.5$ or 3.3. The value should be 3.3V in the Spartan-3AN platform when using the In-System Flash memory. | VCCAUX              |
| VCCINT            | Dedicated internal core logic power supply pin. The number of $V_{CCINT}$ pins depends on the package used. All must be connected to +1.2V. See Chapter 18, “Powering Spartan-3 Generation FPGAs,” for additional information on this signal.                                                                                                                                                                                                                                                                            | VCCINT              |
| VCCO              | Along with all the other $V_{CCO}$ pins in the same bank, this pin supplies power to the output buffers within the I/O bank and sets the input threshold voltage for some I/O standards. See Chapter 18, “Powering Spartan-3 Generation FPGAs,” for additional information on these signals.                                                                                                                                                                                                                             | VCCO_#              |
| N.C.              | This package pin is not connected in this specific device/package combination but might be connected in larger devices in the same package.                                                                                                                                                                                                                                                                                                                                                                              | N.C.                |

**Notes:**

1. # = I/O bank number, an integer between 0 and 3 (7 for the Spartan-3 family).

## Pin Labeling

The pin label is abbreviated but descriptive for each pin. All I/O pins begin with *IO*, while the input-only pins begin with *IP*. If a pin can be used as a differential signal, the name includes an *L* followed by the pair number and the bank number (see “[Differential Pair Labeling](#)”). Bank numbers are also indicated on single-ended pins and on the voltage inputs that are bank-specific,  $V_{CCO}$  and  $V_{REF}$ . Dual-purpose pins have a forward slash separating the two functions. *\_B* is used as the active-Low designator, as in *CSI\_B*.

## Differential Pair Labeling

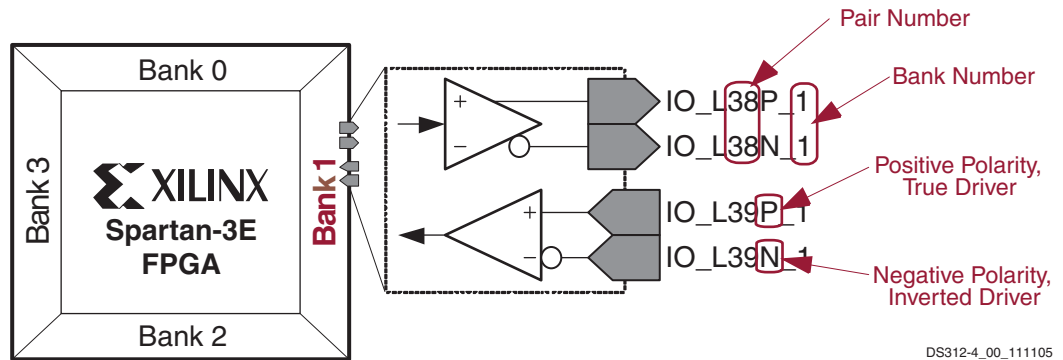
A pin supports differential standards if the pin is labeled in the format *Lxxy\_#*. The pin name suffix has the following significance. [Figure 16-1](#) provides a specific example showing a differential input to and a differential output from Bank 1.

*L* indicates that the pin is part of a differential **L** pair.

*xx* is a two-digit integer, unique for each bank, that identifies a differential pin-pair.

*y* is replaced by *P* for the true signal or *N* for the inverted. These two pins form one differential pin-pair.

# is an integer, 0 through 3 (7 in the Spartan-3 family), indicating the associated I/O bank.



DS312-4\_00\_111105

Figure 16-1: Differential Pair Labeling

## Pinout Files

The pinouts are found in the data sheets for each family. Comma-delimited text files and Excel graphical footprints for the pinouts specific to each Spartan-3 FPGA family are available from [the data sheets on xilinx.com](http://www.xilinx.com). Using a spreadsheet program with the comma-delimited CSV files, the data can be sorted and reformatted according to any specific needs. Similarly, the ASCII text file is easily parsed by most scripting programs. For information on how to use these files to create OrCAD symbols, see Answer Record 10078 at <http://www.xilinx.com/support/answers/10078.htm>.

The following subsections provide additional details on using the downloadable pinout files.

### Pinout Tables

The comma-delimited ASCII text files located in the `/tables` directory list pinout information for a specific package type. Each line represents one pin on the package. Pinout information for all devices available in the package for the family appears on the line. This subsection provides brief descriptions of the fields available on each line.

#### SORT\_PIN (QFP Packages Only)

Sorting by SORT\_PIN orders the pins sequentially on the quad flat pack style packages, such as VQ100, TQ144, and PQ208.

#### SORT\_ROW (BGA Packages Only)

Sorting by SORT\_ROW orders the pins alphabetically on the ball grid array packages. Sorting by SORT\_ROW is sufficient for the smaller BGA packages. However, the larger BGA packages have ROW indices such as AA and AB. An additional field, called SORT\_ROW\_#, is provided on the large BGA packages to aid sorting:

#### SORT\_ROW\_# (Larger BGA Packages Only)

The SORT\_ROW\_# field is similar to SORT\_ROW, except that SORT\_ROW\_# is an integer value instead of an alphabetic value and is used for sorting pins on the BGA package.

### **SORT\_COLUMN (BGA Packages Only)**

SORT\_COLUMN is an integer value indicating the column number of the pin on a BGA package.

### **PIN\_NUMBER**

PIN\_NUMBER is the pin identifier for each pin on the package.

For a particular package and family, there can be multiple FPGAs available in that package. For each pin, all possible FPGAs are listed. Each device is represented by two fields on each line, XC3S\*\*\_PIN and XC3S\*\*\_TYPE, described below.

### **XC3S\*\*\_PIN**

The XC3S\*\*\_PIN field indicates the name for a particular package pin and for a particular Spartan-3 generation FPGA in that package. The \*\* characters here indicate a wildcard character. In the pinout table file, the \*\* characters are replaced by an actual part number, such as XC3S250E.

### **XC3S\*\*\_TYPE**

The XC3S\*\*\_TYPE field indicates the pin type for a particular package pin and for a particular Spartan-3 generation FPGA in that package. The listed type matches those described in Module 4 of the data sheet. The \*\* characters here indicate a wildcard character. In the pinout table file, the \*\* characters are replaced by an actual part number, such as XC3S250E.

### **BANK**

Sorting by BANK orders the pins by their associated I/O bank. The possible values for BANK include integers between 0 and 3 (0 and 7 for the Spartan-3 family), *VCCAUX*, and *N/A*. *N/A* indicates that the pin is not associated with a specific bank.

### **DIFFERENCE**

Sorting by DIFFERENCE in descending order highlights any pinout differences between Spartan-3E FPGAs in the same package. A period (.) indicates that the pins match identically. *DIFF* indicates that the pins are different between packages.

To locate unconnected pins in a package type, sort by the TYPE of the smallest device offered in the package footprint. Any unconnected pins on larger devices are a subset of those on the smallest device.

## **Footprint Diagrams**

The files in the \footprints directory are all Microsoft Excel spreadsheet files. These files present a common footprint for each package type and show the pins on the package as viewed from the top (QFP packages) or through the top of the package (BGA packages). Note the location of the pin 1 indicator on QFP packages.

Each pin is labeled and color-coded according to Module 4 of the data sheet. No Connect (N.C.) pins are also indicated with special symbols.

Most footprints were saved as 50% to 75% of normal size so that the entire footprint is visible on the screen. To change the magnification, select **View --> Zoom** from the Excel top menu, then select the desired magnification factor.



Excel might issue a warning when you open the file, indicating that the file might contain macros. Select either *Disable Macros* or *Enable Macros*. There are no active macros in the Excel files.

## PartGen

The pinout files can also be generated from the Xilinx ISE® development system by using the PartGen program. To create pinout files in PartGen, go to a command prompt and type, for example, `partgen -p xc3s50atq144`. That command writes a text file called `xc3s50atq144.pkg` to the current directory, which contains a list of the pin names and pin numbers. Using the `-v` option (verbose) generates a more detailed `.pkg` file that includes the bank number and nearest CLB, among other information. Details on using PartGen are found in the PartGen chapter of the *Development System Reference Guide*. The ISE 10 version is found at

<http://toolbox.xilinx.com/docsan/xilinx10/books/docs/dev/dev.pdf>

## ISE Development System Pin Assignment Reports

The ISE development system can also be used to list or view the pinout for a design, showing the actual placement of signals resulting from Place & Route.

The Place and Route (PAR) program generates three reports showing the actual pin assignments:

- a PAD file, containing I/O pin assignments in a parsable database form
- a CSV file, containing I/O pin assignments in a format supported by spreadsheet programs, delimited by the “|” character
- a TXT file, containing I/O pin assignments in an ASCII text version for viewing in a text editor

## Pinout and Area Constraints Editor (PACE) Tool

The Pinout and Area Constraints Editor (PACE) tool is an interactive graphical application that can be used as follows:

- To view and edit location constraints for I/Os
- To view and create area constraints for logic in your design
- To determine resource requirements of your design
- To determine resource layout of your target device

Use the PACE tool during initial design entry or after consolidation of a design into a netlist file. For initial design entry, the PACE tool reads and writes VHDL and Verilog files, limited to I/O definitions. For consolidated netlists, the PACE tool reads the NGD file. In both cases, PACE reads and writes user constraint files (UCFs).

The PACE tool provides the following functions:

- Pin Assignment  
Use the pin assignment function to assign I/O locations, specify I/O banks, specify I/O standards, prohibit I/O locations, and create legal pin assignments using the built-in DRC. You can use built-in tools for making I/O assignment compatible among multiple packages and for meeting Xilinx recommendations for simultaneous output switching.
- Design Browser

Use the Design Browser function to browse the design hierarchy while viewing a wide range of information about parts of the design.

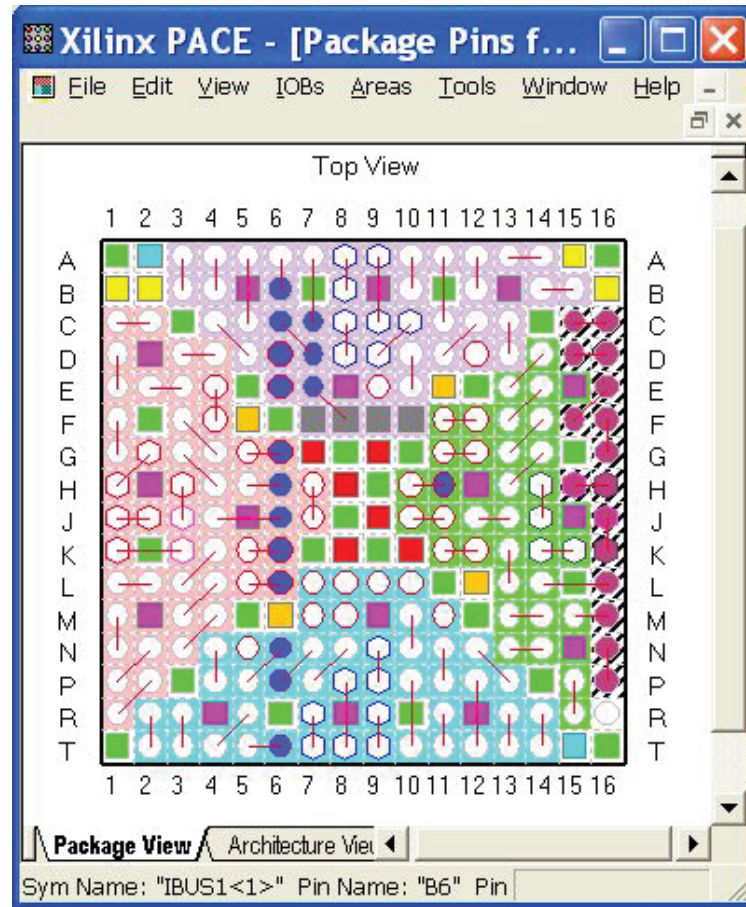
- Area Constraints (FPGA Only)

Use the area constraints function to display a high-level abstraction of your device resources (Device Architecture view), create area constraints for logic in your design, and display I/Os on the periphery to show connectivity.

The Device Architecture window displays the die for a selected part type. This window is a scrollable, scalable view of a resource map of the device that is specified in your design. To floorplan, drag selected global logic or hierarchical logic groups from the Design Browser window and drop it into this window.

The Package Pins window ([Figure 16-2](#)) displays the graphical layout of the pins in a package. You can do the following with the Package Pins window:

- Park the cursor on a pin to display a data tip with the pin name and pin type. If a symbol is placed in the selected location, the symbol name is also shown.
- Select an I/O in any view to display the I/O as selected in all other views.
- Display the bottom or top view for the package.
- I/O banks are displayed by default.
- Differential pairs can be displayed by a red line between the pins in the pair.
- Move I/Os around, and drag and drop I/Os from the other windows.
- Prohibit or allow user I/O.



UG331\_c16\_02\_120206

Figure 16-2: PACE Package View Window

## PlanAhead Design Analysis Tool

The PlanAhead™ tool streamlines the design step between synthesis and place and route, allowing you to divide a larger design up into smaller, more manageable blocks and focus efforts toward optimization of each module. This methodology results in improved performance and quality of the entire design. PlanAhead includes PinAhead Technology to help users better deal with the complexities of pin assignments. PinAhead offers an environment for fully automatic or semi-automated assignment of I/O ports to physical package pins. All ISE® Design Suite configurations now include PlanAhead Lite, providing the I/O pin planning capabilities of the PinAhead technology. It also includes design analysis and floorplanning capabilities as well as implementation control with the ExploreAhead environment. For more information, see <http://www.xilinx.com/planahead>.

## Packages

Table 16-3 shows the low-cost, space-saving production package styles for the Spartan-3 generation families.

Table 16-3: Spartan-3 Generation Package Options

| Spartan-3A DSP FPGAs | Spartan-3AN FPGA | Spartan-3A FPGA | Spartan-3E FPGA | Spartan-3 FPGA | Package          | Leads | Type                                    | Max I/O | Lead Pitch (mm) | Footprint Area (mm) | Height (mm) | Mass <sup>(1)</sup> (g) |
|----------------------|------------------|-----------------|-----------------|----------------|------------------|-------|-----------------------------------------|---------|-----------------|---------------------|-------------|-------------------------|
|                      |                  | X               | X               | X              | VQ100/<br>VQG100 | 100   | Very Thin Quad Flat Pack (TQFP)         | 66      | 0.5             | 16 x 16             | 1.20        | 0.6                     |
|                      |                  |                 | X               |                | CP132/<br>CPG132 | 132   | Chip-Scale Ball Grid Array (CS)         | 92      | 0.5             | 8 x 8               | 1.10        | 0.1                     |
|                      | X                | X               | X               | X              | TQ144/<br>TQG144 | 144   | Thin Quad Flat Pack (TQFP)              | 108     | 0.5             | 22 x 22             | 1.60        | 1.4                     |
|                      |                  |                 | X               | X              | PQ208/<br>PQG208 | 208   | Quad Flat Pack (QFP)                    | 158     | 0.5             | 30.6 x 30.6         | 4.10        | 5.3                     |
|                      | X                | X               | X               | X              | FT256/<br>FTG256 | 256   | Fine-pitch, Thin Ball Grid Array (FBGA) | 195     | 1.0             | 17 x 17             | 1.55        | 0.9                     |
|                      |                  | X               | X               | X              | FG320/<br>FGG320 | 320   | Fine-pitch Ball Grid Array (FBGA)       | 251     | 1.0             | 19 x 19             | 2.00        | 1.4                     |
|                      | X                | X               | X               |                | FG400/<br>FGG400 | 400   | Fine-pitch Ball Grid Array (FBGA)       | 311     | 1.0             | 21 x 21             | 2.43        | 2.2                     |
|                      |                  |                 |                 | X              | FG456/<br>FGG456 | 456   | Fine-pitch Ball Grid Array (FBGA)       | 333     | 1.0             | 23 x 23             | 2.60        | 2.2                     |
|                      | X                | X               | X               |                | FG484/<br>FGG484 | 484   | Fine-pitch Ball Grid Array (FBGA)       | 376     | 1.0             | 23 x 23             | 2.60        | 2.2                     |
| X                    |                  |                 |                 |                | CS484/<br>CSG484 | 484   | Chip-Scale Ball Grid Array (CS)         | 309     | 0.8             | 19 x 19             | 1.80        | 1.4                     |
| X                    | X                | X               |                 | X              | FG676/<br>FGG676 | 676   | Fine-pitch Ball Grid Array (FBGA)       | 519     | 1.0             | 27 x 27             | 2.60        | 3.4                     |
|                      |                  |                 |                 | X              | FG900/<br>FGG900 | 900   | Fine-pitch Ball Grid Array (FBGA)       | 633     | 1.0             | 31 x 31             | 2.60        | 4.2                     |

**Notes:**

1. Package mass is  $\pm 10\%$ .

### Pb-Free Packages

Each package style is available as a standard and an environmentally friendly lead-free (Pb-free) option. The Pb-free packages include an extra G in the package style name. For example, the standard TQ144 package becomes TQG144 when ordered as the Pb-free option. The mechanical dimensions of the standard and Pb-free packages are similar, as shown in the mechanical drawings provided in Table 17-1, page 461. The materials listed in the *Material Declaration Data Sheet* and the thermal characteristics will be different. The

pinouts are always identical between the standard and Pb-free packages. For more information on Pb-free packages, see [Xilinx Pb-Free and RoHS-compliant Products](#).

## Differences in Packages Between Spartan-3 Generation Families

Not all Spartan-3 generation devices are available in all packages. For a specific package, however, there is a common footprint within the associated family that supports all the devices available in that package for the family. See the footprint diagrams in the data sheets. There is no footprint compatibility between families.

For additional package information, see [UG112: Device Package User Guide](#).

## Selecting the Right Package Option

Spartan-3 generation FPGAs are available in both quad-flat pack (QFP) and ball grid array (BGA) packaging options. While QFP packaging offers the lowest absolute cost, the BGA packages are superior in almost every other aspect, as summarized in [Table 16-4](#). Consequently, Xilinx recommends using BGA packaging whenever possible.

**Table 16-4: QFP and BGA Comparison**

| Characteristic                              | Quad Flat Pack (QFP) | Ball Grid Array (BGA) |
|---------------------------------------------|----------------------|-----------------------|
| Maximum User I/O                            | 158                  | 633                   |
| Packing Density (Logic/Area)                | Good                 | Better                |
| Signal Integrity                            | Fair                 | Better                |
| Simultaneous Switching Output (SSO) Support | Fair                 | Better                |
| Thermal Dissipation                         | Fair                 | Better                |
| Minimum Printed Circuit Board (PCB) Layers  | 4                    | 4-6                   |
| Hand Assembly/Rework                        | Possible             | Difficult             |

## Package Thermal Characteristics

The power dissipated by an FPGA application has implications on package selection and system design. The power consumed by a Spartan-3 generation FPGA is reported using either the XPower Estimator worksheet or the XPower Analyzer integrated in the Xilinx ISE development software. For more information on these tools, see the [Power Solutions page](#).

The power is then combined with the thermal resistance to calculate the resulting temperature. Module 4 of each family's data sheet provides the thermal characteristics for the specific package offerings within each family. The [Package Thermal Data Query tool](#) allows the user to use the Device Family (for example, Spartan-3E, Device name (for example, XC3S100E), and Package code (for example, FT256) to obtain product-specific Thermal Data. Three types of thermal resistance are provided as shown in [Table 16-5](#). All resistance values are relative to the die junction temperature and are measured in °C per watt.

Table 16-5: Thermal Characteristics

| Symbol        | Characteristic      | Description                                                                                                                                                                                    |
|---------------|---------------------|------------------------------------------------------------------------------------------------------------------------------------------------------------------------------------------------|
| $\theta_{JA}$ | Junction to Ambient | Temperature difference between ambient environment and junction. Drops with increasing air flow. Specified at air flow rates of 0 (still air), 250, 500, and 750 Linear Feet Per Minute (LFPM) |
| $\theta_{JB}$ | Junction to Board   | Temperature difference between board and junction.                                                                                                                                             |
| $\theta_{JC}$ | Junction to Case    | Temperature difference between the package body (case) and junction.                                                                                                                           |

## Related Materials and References

The following list provides additional information related to pinouts and packages:

- [Chapter 17, “Package Drawings”](#)  
Mechanical drawings for each package and links to the Material Declaration Data Sheets for each package.
- [DS610](#), Spartan-3A DSP Pinouts  
Module 4 contains detailed information on the pinouts specific to the Spartan-3A DSP FPGAs.
- [Spartan-3A DSP ASCII Pinouts and Excel Footprints](#)  
Comma-delimited text files and Excel graphical footprints for the pinouts specific to the Spartan-3A DSP FPGAs.
- [DS557](#), Spartan-3AN Pinouts  
Module 4 contains detailed information on the pinouts specific to the Spartan-3AN FPGAs.
- [DS529](#), Spartan-3A Pinouts  
Module 4 contains detailed information on the pinouts specific to the Spartan-3A FPGAs.
- [Spartan-3A/3AN ASCII Pinouts and Excel Footprints](#)  
Comma-delimited text files and graphical footprints for the pinouts specific to the Spartan-3A/3AN FPGAs.
- [DS312](#), Spartan-3E Pinouts  
Module 4 contains detailed information on the pinouts specific to the Spartan-3E FPGAs.
- [Spartan-3E ASCII Pinouts and Excel Footprints](#)  
Comma delimited text files and Excel graphical footprints for the pinouts specific to the Spartan-3E FPGAs
- [DS099](#), Spartan-3 Pinouts  
Module 4 contains detailed information on the pinout specific to the Spartan-3 FPGAs.
- [Spartan-3 ASCII Pinouts and Excel Footprints](#)  
Comma-delimited text files and Excel graphical footprints for the pinouts specific to the Spartan-3 FPGAs.

- [UG112, Device Package User Guide](#)  
Description and specifications for packages, pack and ship, thermal characteristics, electrical characteristics, PCB design rules, moisture sensitivity, and reflow soldering guidelines.
- [Device Packaging Application Notes](#)  
Application notes on board routability, solder reflow, and related topics.





## Package Drawings

### Summary

This chapter provides mechanical drawings of the Spartan®-3 generation packages listed in [Table 17-1](#). These drawings are also available on the Xilinx website at [http://www.xilinx.com/support/documentation/package\\_specifications.htm](http://www.xilinx.com/support/documentation/package_specifications.htm). Also found on the Xilinx website is the Material Declaration Data Sheet for the standard and Pb-free versions of each package.

**Table 17-1: Spartan-3 Generation Mechanical Drawings**

| Package | Spartan-3A DSP<br>FPGA | Spartan-3AN<br>FPGA | Spartan-3A<br>FPGA | Spartan-3E<br>FPGA | Spartan-3<br>FPGA | Package Drawing |                                                                                                                                                                     | MDDS URL<br>( <a href="http://www.xilinx.com/support/documentation/package_specs/">http://www.xilinx.com/<br/>support/documentation/<br/>package_specs/</a> ) |
|---------|------------------------|---------------------|--------------------|--------------------|-------------------|-----------------|---------------------------------------------------------------------------------------------------------------------------------------------------------------------|---------------------------------------------------------------------------------------------------------------------------------------------------------------|
|         |                        |                     |                    |                    |                   | UG331<br>Page   | Xilinx.com URL<br>( <a href="http://www.xilinx.com/support/documentation/package_specs/">http://www.xilinx.com/<br/>support/documentation/<br/>package_specs/</a> ) |                                                                                                                                                               |
| VQ100   |                        |                     | √                  | √                  | √                 | page 463        | <a href="#">vq100.pdf</a>                                                                                                                                           | <a href="#">pk173_vq100.pdf</a>                                                                                                                               |
| VQG100  |                        |                     | √                  | √                  | √                 |                 |                                                                                                                                                                     | <a href="#">pk130_vqg100.pdf</a>                                                                                                                              |
| CP132   |                        |                     |                    | √                  |                   | page 464        | <a href="#">cp132.pdf</a>                                                                                                                                           | <a href="#">pk147_cp132.pdf</a>                                                                                                                               |
| CPG132  |                        |                     |                    | √                  |                   |                 |                                                                                                                                                                     | <a href="#">pk101_cpg132.pdf</a>                                                                                                                              |
| TQ144   |                        |                     | √                  | √                  | √                 | page 465        | <a href="#">tq144.pdf</a>                                                                                                                                           | <a href="#">pk169_tq144.pdf</a>                                                                                                                               |
| TQG144  |                        | √                   | √                  | √                  | √                 |                 |                                                                                                                                                                     | <a href="#">pk126_tqg144.pdf</a>                                                                                                                              |
| PQ208   |                        |                     |                    | √                  | √                 | page 466        | <a href="#">pq208.pdf</a>                                                                                                                                           | <a href="#">pk166_pq208.pdf</a>                                                                                                                               |
| PQG208  |                        |                     |                    | √                  | √                 |                 |                                                                                                                                                                     | <a href="#">pk123_pqg208.pdf</a>                                                                                                                              |
| FT256   |                        |                     | √                  | √                  | √                 | page 467        | <a href="#">ft256.pdf</a>                                                                                                                                           | <a href="#">pk158_ft256.pdf</a>                                                                                                                               |
| FTG256  |                        | √                   | √                  | √                  | √                 |                 |                                                                                                                                                                     | <a href="#">pk115_ftg256.pdf</a>                                                                                                                              |
| FG320   |                        |                     | √                  | √                  | √                 | page 468        | <a href="#">fg320.pdf</a>                                                                                                                                           | <a href="#">pk152_fg320.pdf</a>                                                                                                                               |
| FGG320  |                        |                     | √                  | √                  | √                 |                 |                                                                                                                                                                     | <a href="#">pk106_fgg320.pdf</a>                                                                                                                              |
| FG400   |                        |                     | √                  | √                  |                   | page 469        | <a href="#">fg400.pdf</a>                                                                                                                                           | <a href="#">pk182_fg400.pdf</a>                                                                                                                               |
| FGG400  |                        | √                   | √                  | √                  |                   |                 |                                                                                                                                                                     | <a href="#">pk108_fgg400.pdf</a>                                                                                                                              |
| FG456   |                        |                     |                    |                    | √                 | page 470        | <a href="#">fg456.pdf</a>                                                                                                                                           | <a href="#">pk154_fg456.pdf</a>                                                                                                                               |
| FGG456  |                        |                     |                    |                    | √                 |                 |                                                                                                                                                                     | <a href="#">pk109_fgg456.pdf</a>                                                                                                                              |
| FG484   |                        |                     | √                  | √                  |                   | page 471        | <a href="#">fg484.pdf</a>                                                                                                                                           | <a href="#">pk183_fg484.pdf</a>                                                                                                                               |
| FGG484  |                        | √                   | √                  | √                  |                   |                 |                                                                                                                                                                     | <a href="#">pk110_fgg484.pdf</a>                                                                                                                              |
| CS484   | √                      |                     |                    |                    |                   | page 472        | <a href="#">cs484.pdf</a>                                                                                                                                           | <a href="#">pk230_cs484.pdf</a>                                                                                                                               |
| CSG484  | √                      |                     |                    |                    |                   |                 |                                                                                                                                                                     | <a href="#">pk231_csg484.pdf</a>                                                                                                                              |
| FG676   | √                      |                     | √                  |                    | √                 | page 473        | <a href="#">fg676.pdf</a>                                                                                                                                           | <a href="#">pk155_fg676.pdf</a>                                                                                                                               |
| FGG676  | √                      | √                   | √                  |                    | √                 |                 |                                                                                                                                                                     | <a href="#">pk111_fgg676.pdf</a>                                                                                                                              |
| FG900   |                        |                     |                    |                    | √                 | page 474        | <a href="#">fg900.pdf</a>                                                                                                                                           | <a href="#">pk186_fg900.pdf</a>                                                                                                                               |
| FGG900  |                        |                     |                    |                    | √                 |                 |                                                                                                                                                                     | <a href="#">pk114_fgg900.pdf</a>                                                                                                                              |

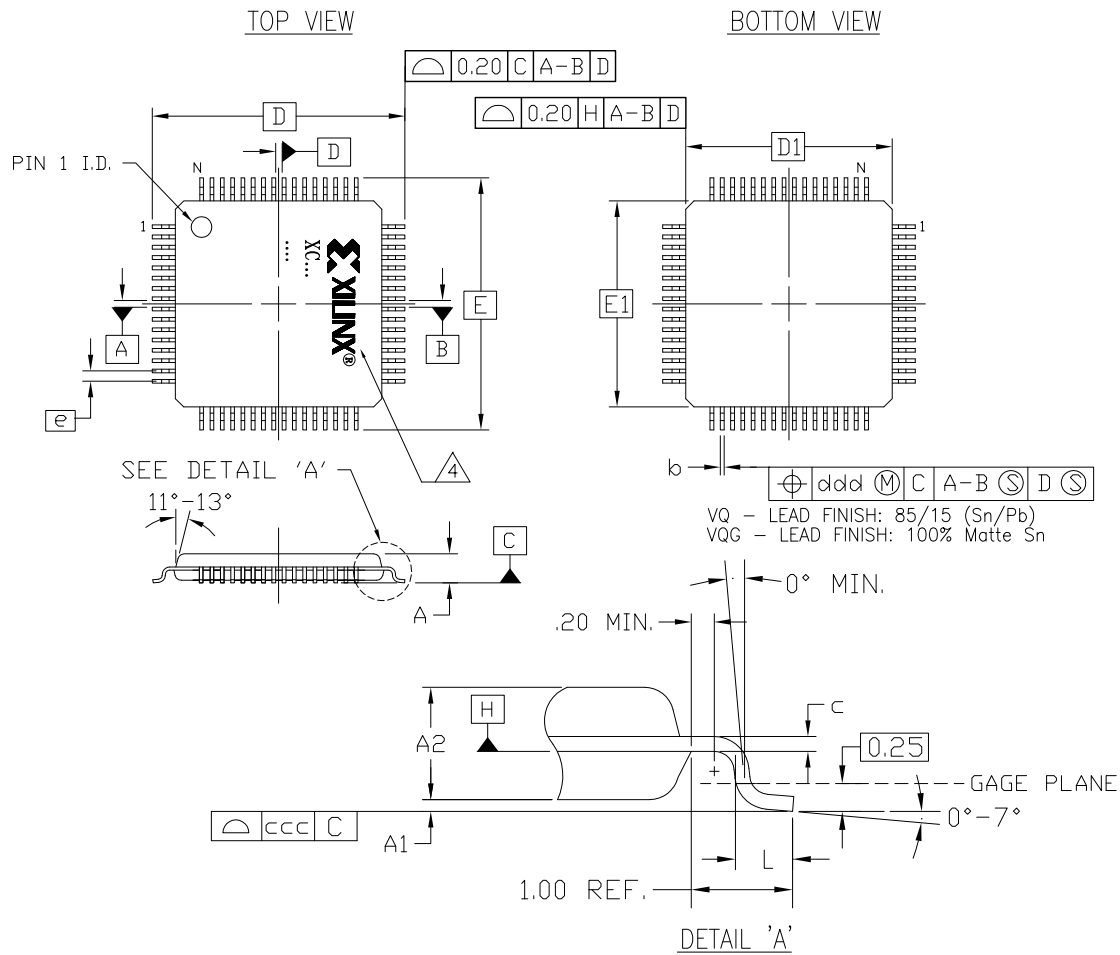
Table 17-1: Spartan-3 Generation Mechanical Drawings

| Package                | Spartan-3A DSP<br>FPGA | Spartan-3AN<br>FPGA | Spartan-3A<br>FPGA | Spartan-3E<br>FPGA | Spartan-3<br>FPGA | Package Drawing |                                                                                                                                                                     | MDDS URL<br>( <a href="http://www.xilinx.com/support/documentation/package_specs/">http://www.xilinx.com/<br/>support/documentation/<br/>package_specs/</a> ) |
|------------------------|------------------------|---------------------|--------------------|--------------------|-------------------|-----------------|---------------------------------------------------------------------------------------------------------------------------------------------------------------------|---------------------------------------------------------------------------------------------------------------------------------------------------------------|
|                        |                        |                     |                    |                    |                   | UG331<br>Page   | Xilinx.com URL<br>( <a href="http://www.xilinx.com/support/documentation/package_specs/">http://www.xilinx.com/<br/>support/documentation/<br/>package_specs/</a> ) |                                                                                                                                                               |
| FG1156 <sup>(1)</sup>  |                        |                     |                    |                    | √                 | page 475        | <a href="#">fg1156.pdf</a>                                                                                                                                          | N/A                                                                                                                                                           |
| FGG1156 <sup>(1)</sup> |                        |                     |                    |                    | √                 |                 |                                                                                                                                                                     | N/A                                                                                                                                                           |

**Notes:**

1. The FG(G)1156 package is being discontinued and is not recommended for new designs. See [http://www.xilinx.com/support/documentation/customer\\_notices/xcn07022.pdf](http://www.xilinx.com/support/documentation/customer_notices/xcn07022.pdf) for details.

# VQ100/VQG100 Very Thin QFP Package (pk012)



| SYMBOL | VQ/VQG44         |           |      | VQ/VQG64         |           |      | VQ/VQG100        |           |      |
|--------|------------------|-----------|------|------------------|-----------|------|------------------|-----------|------|
|        | MILLIMETERS      |           |      | MILLIMETERS      |           |      | MILLIMETERS      |           |      |
|        | MIN.             | NDM.      | MAX. | MIN.             | NDM.      | MAX. | MIN.             | NDM.      | MAX. |
| A      | $\approx$        | $\approx$ | 1.20 | $\approx$        | $\approx$ | 1.20 | $\approx$        | $\approx$ | 1.20 |
| A1     | 0.05             | $\approx$ | 0.15 | 0.05             | 0.10      | 0.15 | 0.05             | 0.10      | 0.15 |
| A2     | 0.95             | 1.00      | 1.05 | 0.95             | 1.00      | 1.05 | 0.95             | 1.00      | 1.05 |
| D/E    | 12.00 BSC.       |           |      | 12.00 BSC.       |           |      | 16.00 BSC.       |           |      |
| D1/E1  | 10.00 BSC.       |           |      | 10.00 BSC.       |           |      | 14.00 BSC.       |           |      |
| b      | 0.30             | 0.37      | 0.45 | 0.17             | 0.22      | 0.27 | 0.17             | 0.22      | 0.27 |
| c      | 0.09             | $\approx$ | 0.20 | 0.09             | $\approx$ | 0.20 | 0.09             | $\approx$ | 0.20 |
| e      | 0.80 BSC.        |           |      | 0.50 BSC.        |           |      | 0.50 BSC.        |           |      |
| L      | 0.45             | 0.60      | 0.75 | 0.45             | 0.60      | 0.75 | 0.45             | 0.60      | 0.75 |
| ccc    | $\approx$        | $\approx$ | 0.10 | $\approx$        | $\approx$ | 0.08 | $\approx$        | $\approx$ | 0.08 |
| ddd    | $\approx$        | $\approx$ | 0.20 | $\approx$        | $\approx$ | 0.08 | $\approx$        | $\approx$ | 0.08 |
| N      | 44               |           |      | 64               |           |      | 100              |           |      |
| REF.   | JEDEC MS-026-ACB |           |      | JEDEC MS-026-ACD |           |      | JEDEC MS-026-AED |           |      |

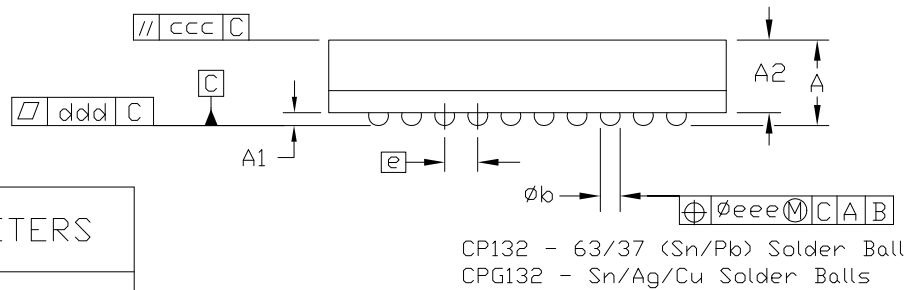
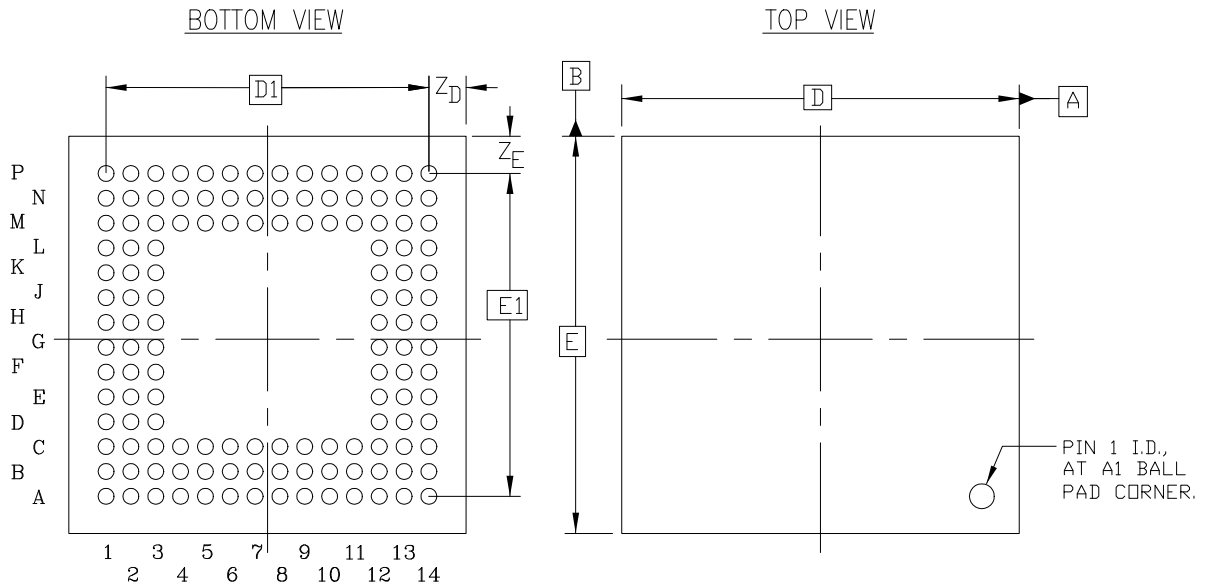
NOTES:

1. ALL DIMENSIONS AND TOLERANCES CONFORM TO ANSI Y14.5M-1994.
  2. PACKAGE BODY DIMENSIONS "D1/E1" DO NOT INCLUDE MOLD PROTRUSIONS. ALLOWABLE MOLD PROTRUSIONS SHALL NOT EXCEED 0.25mm PER SIDE.
  3. THE TOP OF THE PACKAGE MAY BE SMALLER THAN THE BOTTOM OF THE PACKAGE BY 0.15mm.
- ▲ MARK ORIENTATION WITH RESPECT TO PIN-1 I.D. IF 2 OR MORE CIRCLES EXIST ON TOP OF THE PACKAGE, USE THE SMALLEST CIRCLE AS PIN-1 I.D.

44, 64, and 100-PIN PLASTIC VERY THIN QFP (VQ44/VQG44, VQ64/VQG64, and VQ100/VQG100)

Figure 17-1: VQ100/VQG100 Very Thin QFP Package (pk012)

## CP132/CPG132 Chip Scale BGA Package (pk500)



| SYMBOL                         | MILLIMETERS           |                       |      |
|--------------------------------|-----------------------|-----------------------|------|
|                                | MIN.                  | NOM.                  | MAX. |
| A                              | $\cancel{\text{---}}$ | 1.00                  | 1.10 |
| A <sub>1</sub>                 | 0.15                  | 0.20                  | 0.25 |
| D/E                            | 7.90                  | 8.00                  | 8.10 |
| D <sub>1</sub> /E <sub>1</sub> | 6.50 BSC              |                       |      |
| e                              | 0.50 BSC              |                       |      |
| øb                             | 0.25                  | 0.30                  | 0.35 |
| ccc                            | $\cancel{\text{---}}$ | $\cancel{\text{---}}$ | 0.10 |
| ddd                            | $\cancel{\text{---}}$ | $\cancel{\text{---}}$ | 0.08 |
| eee                            | $\cancel{\text{---}}$ | $\cancel{\text{---}}$ | 0.15 |
| Z <sub>D</sub> /Z <sub>E</sub> | 0.60                  | 0.75                  | 0.90 |
| M                              | 14                    |                       |      |

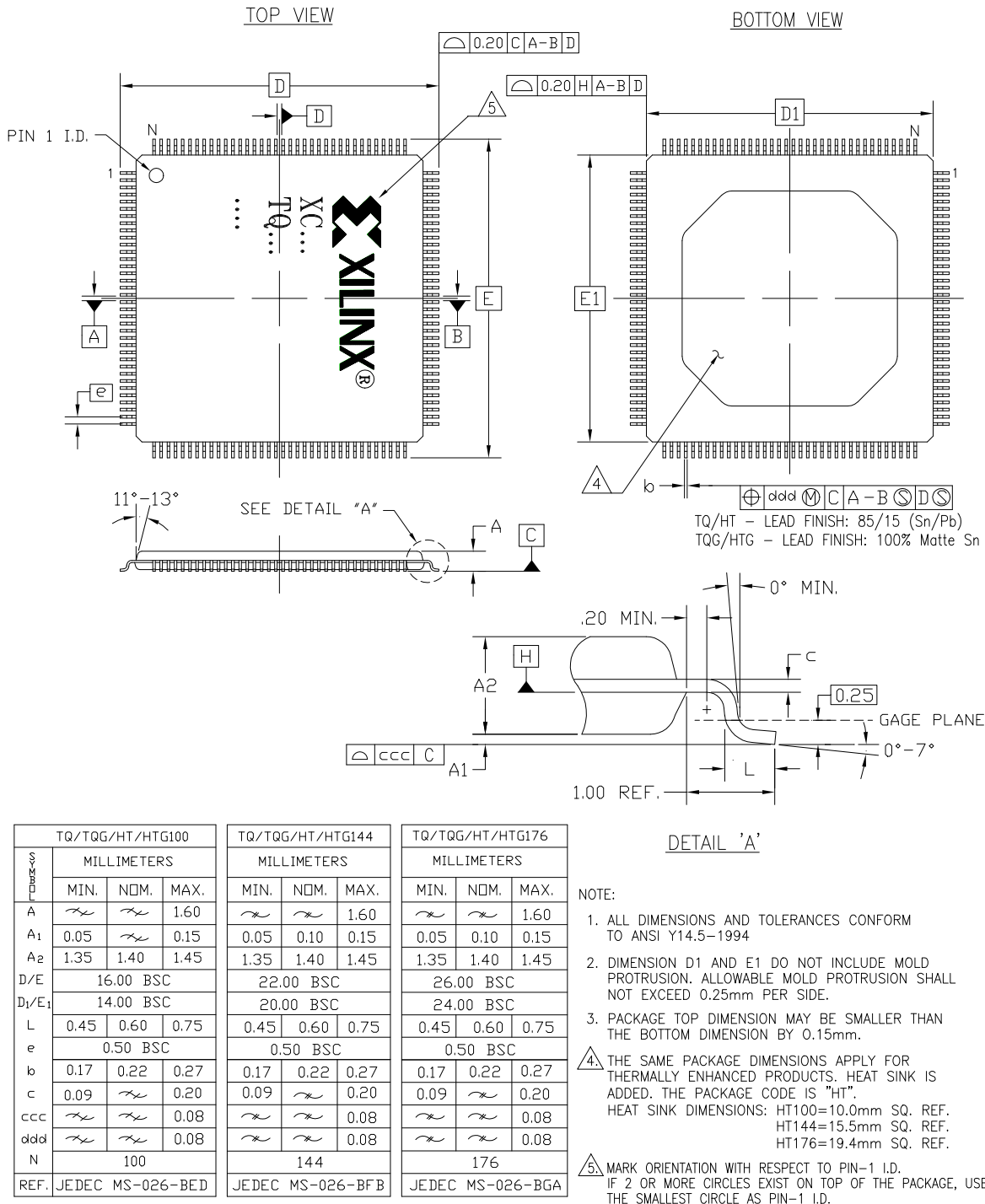
NOTES:

1. ALL DIMENSIONING AND TOLERANCING CONFORM TO ASME Y14.5M-1994
2. SYMBOL "M" IS THE PIN MATRIX SIZE.

132-BALL CHIP SCALE BGA 0.50mm PITCH (CP132/CPG132)

Figure 17-2: CP132/CPG132 Chip Scale BGA Package (pk500)

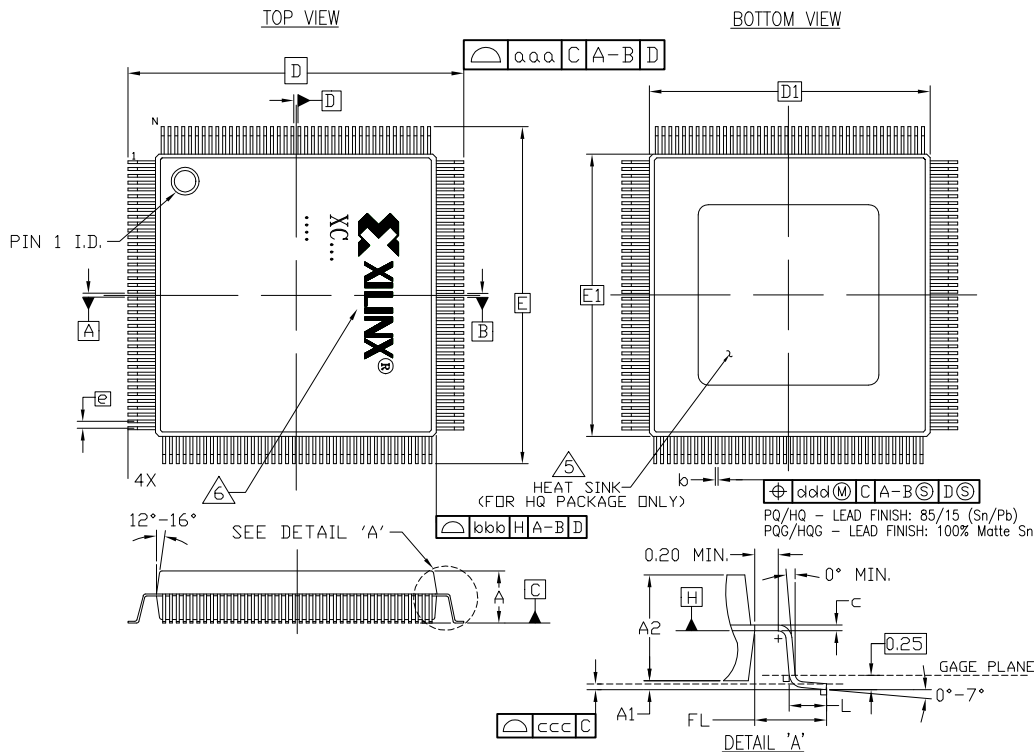
# TQ144/TQG144 Thin QFP Package (pk009)



100, 144, and 176-PIN TQFP (TQ100/TQG100, TQ144/TQG144, and TQ176/TQG176)  
 100, 144, and 176-PIN HEAT SINK TQFP (HT100/HTG100, HT144/HTG144, and HT176/HTG176)

Figure 17-3: TQ144/TQG144 Thin QFP Package (pk009)

# PQ208/PQG208 QFP Package (pk007)



| SYMBOL | PQ/PQG44        |      |      | PQ/PQG/HQ/HQG160 |      |      | PQ/PQG/HQ/HQG208  |      |      | PQ/PQG/HQ/HQG240 |      |      |
|--------|-----------------|------|------|------------------|------|------|-------------------|------|------|------------------|------|------|
|        | MIN.            | NOM. | MAX. | MIN.             | NOM. | MAX. | MIN.              | NOM. | MAX. | MIN.             | NOM. | MAX. |
| A      | 2.15            | 2.35 |      | 3.70             | 4.10 |      | 3.70              | 4.10 |      | 3.78             | 4.10 |      |
| A1     | 0.05            | 0.25 |      | 0.25             | 0.33 | 0.50 | 0.25              | 0.33 | 0.50 | 0.25             | 0.38 | 0.50 |
| A2     | 1.95            | 2.00 | 2.10 | 3.20             | 3.40 | 3.60 | 3.20              | 3.40 | 3.60 | 3.20             | 3.40 | 3.60 |
| D/E    | 13.20 BSC       |      |      | 31.20 BSC        |      |      | 30.60 BSC         |      |      | 34.60 BSC        |      |      |
| D1/E1  | 10.00 BSC       |      |      | 28.00 BSC        |      |      | 28.00 BSC         |      |      | 32.00 BSC        |      |      |
| FL     | 1.60 REF.       |      |      | 1.60 REF.        |      |      | 1.30 REF.         |      |      | 1.30 REF.        |      |      |
| L      | 0.73            | 0.88 | 1.03 | 0.73             | 0.88 | 1.03 | 0.50              | 0.60 | 0.75 | 0.50             | 0.60 | 0.75 |
| e      | 0.80 BSC.       |      |      | 0.65 BSC.        |      |      | 0.50 BSC.         |      |      | 0.50 BSC.        |      |      |
| b      | 0.30            | 0.45 |      | 0.22             | 0.40 |      | 0.17              | 0.22 | 0.27 | 0.17             | 0.27 |      |
| c      | 0.13            | 0.23 |      | 0.13             | 0.23 |      | 0.09              | 0.20 |      | 0.09             | 0.20 |      |
| aaa    | 0.25            | 0.25 |      | 0.25             | 0.25 |      | 0.25              | 0.25 |      | 0.25             | 0.25 |      |
| bbb    | 0.20            | 0.20 |      | 0.20             | 0.20 |      | 0.20              | 0.20 |      | 0.20             | 0.20 |      |
| ccc    | 0.10            | 0.10 |      | 0.10             | 0.10 |      | 0.08              | 0.08 |      | 0.08             | 0.08 |      |
| ddd    | 0.20            | 0.20 |      | 0.13             | 0.13 |      | 0.08              | 0.08 |      | 0.08             | 0.08 |      |
| N      | 44              |      |      | 160              |      |      | 208               |      |      | 240              |      |      |
| REF.   | JEDEC MS-022-AB |      |      | JEDEC MS-022-DD1 |      |      | JEDEC MS-029-FA-1 |      |      | JEDEC MS-029-GA  |      |      |

- NOTES: 1. ALL DIMENSIONS AND TOLERANCES CONFORM TO ANSI Y14.5M-1994.  
 2. DIMENSIONS D1 AND E1 DO NOT INCLUDE MOLD PROTRUSION. ALLOWABLE MOLD PROTRUSION SHALL NOT EXCEED 0.25mm PER SIDE.  
 3. PACKAGE TOP DIMENSIONS MAY BE SMALLER THAN THE BOTTOM DIMENSIONS BY 0.20mm.  
 4. THE SAME PACKAGE DIMENSIONS APPLY FOR THERMALLY ENHANCED PRODUCTS. HEAT SINK IS ADDED. THE PACKAGE CODE IS "HQ".  
 5. HEAT SINK DIMENSIONS: HQ160/HQ208=21mm SQ. REF.; HQ240=24mm SQ. REF.  
 6. MARK ORIENTATION WITH RESPECT TO PIN-1 I.D.  
 IF 2 OR MORE CIRCLES EXIST ON TOP OF THE PACKAGE, USE THE SMALLEST CIRCLE AS PIN-1 I.D.

44, 160, 208, and 240-PIN PQFP (PQ44/PQG44, PQ160/PQG160, PQ208/PQG208, and PQ240/PQG240) and 160, 208, and 240-PIN HEAT SINK PQFP (HQ160/HQG160, HQ208/HQG208, and HQ240/HQG240)

Figure 17-4: PQ208/PQG208 QFP Package (pk007)

# FT256/FTG256 Fine-Pitch Thin BGA Package (pk053)

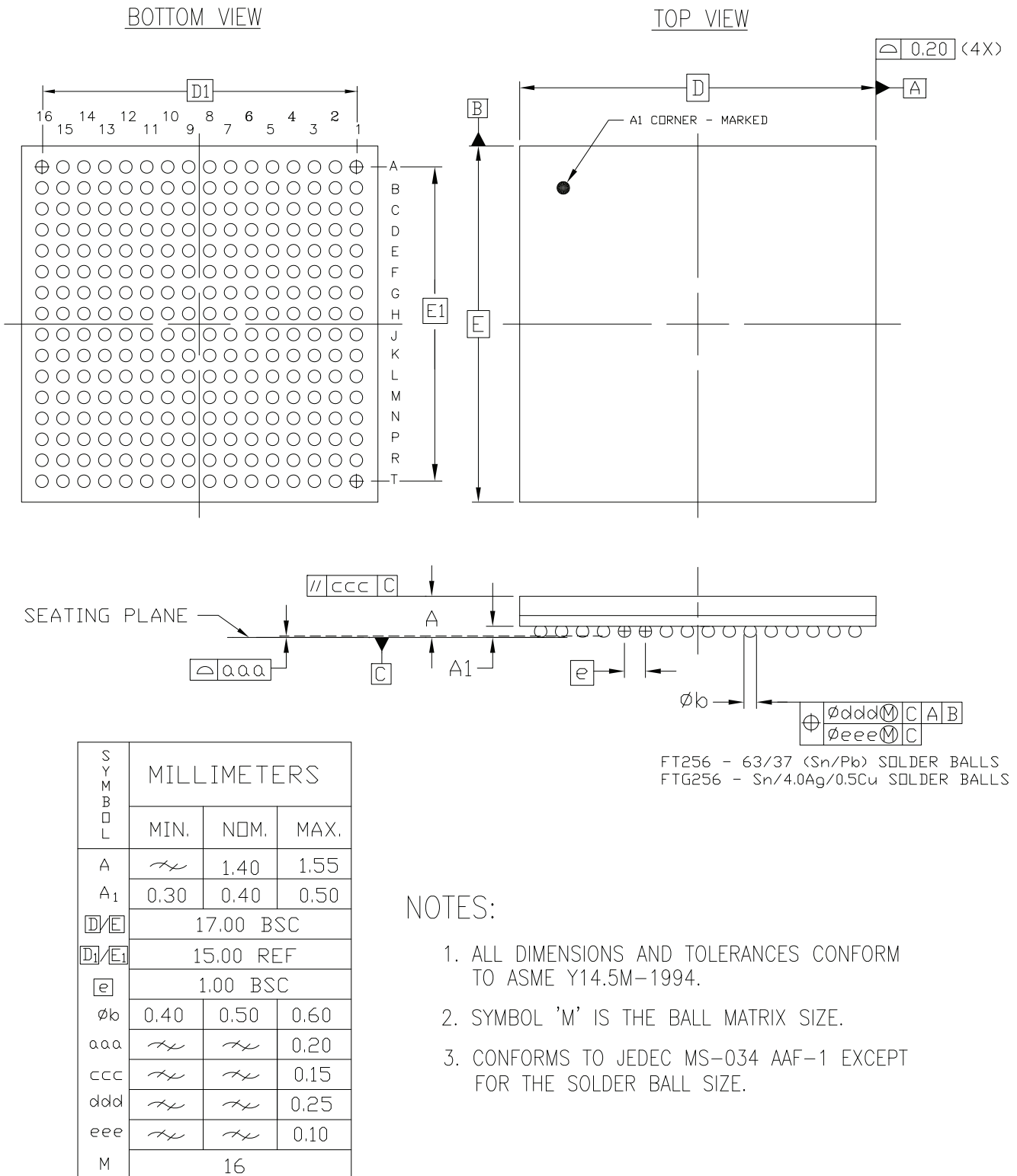
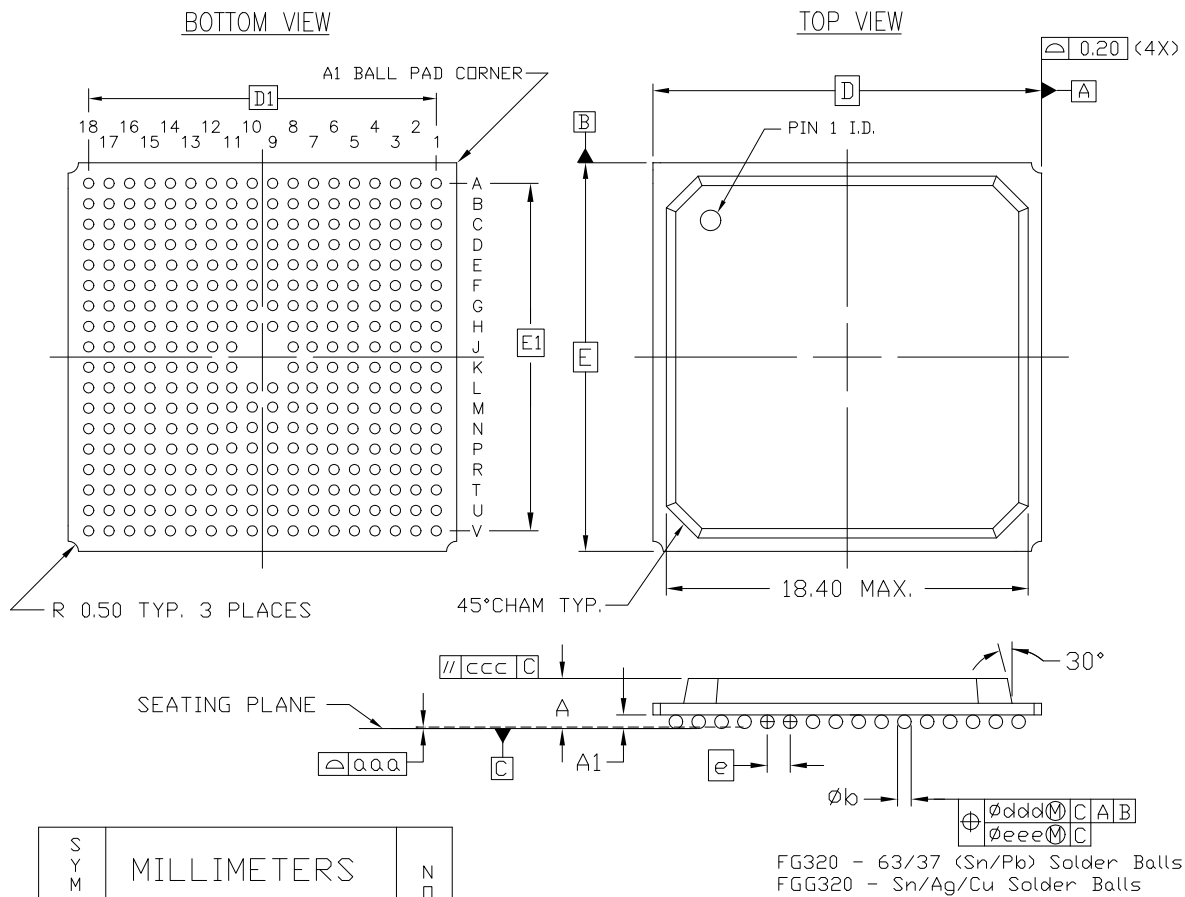


Figure 17-5: FT256/FTG256 Fine-Pitch Thin BGA Package (pk053)

## FG320/FGG320 Fine-Pitch BGA Package (pk071)



NOTES:

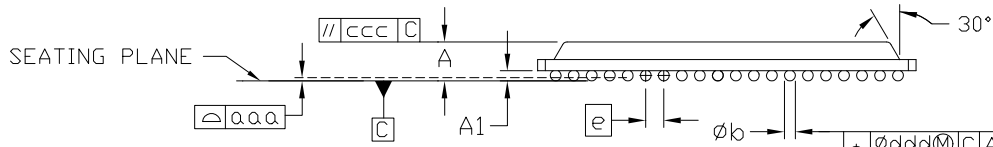
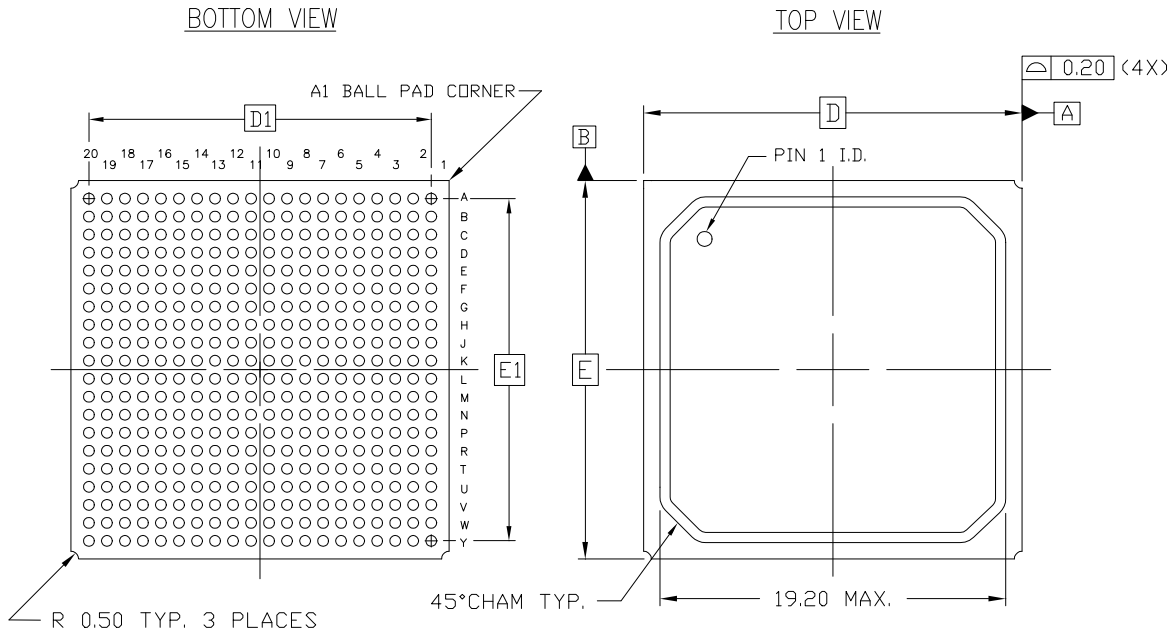
1. ALL DIMENSIONS AND TOLERANCES CONFORM TO ANSI Y14.5M-1994.
2. SYMBOL 'M' IS THE BALL MATRIX SIZE
3. NOMINAL DIMENSION IS TYPICALLY 1.86 mm
4. CONFORMS TO JEDEC MS-034-AAG-1

### 320-BALL FINE PITCH BGA (FG320/FGG320)

Figure 17-6: FG320/FGG320 Fine-Pitch BGA Package (pk071)



# FG400/FGG400 Fine-Pitch BGA Package (pk083)



FG400 - PbSn SOLDER BALLS  
 FGG400 - Sn, 4.0 Ag, 0.5 Cu

| SYMBOL                         | MILLIMETERS           |                       |       | NOTE |
|--------------------------------|-----------------------|-----------------------|-------|------|
|                                | MIN.                  | NDM.                  | MAX.  |      |
| A                              | $\cancel{\text{---}}$ | 2.23                  | 2.43  | 2    |
| A <sub>1</sub>                 | 0.40                  | 0.50                  | 0.60  |      |
| D/E                            | 20.80                 | 21.00                 | 21.20 |      |
| D <sub>1</sub> /E <sub>1</sub> | 19.00 REF             |                       |       |      |
| e                              | 1.00 BSC              |                       |       |      |
| phi b                          | 0.50                  | 0.60                  | 0.70  |      |
| aaa                            | $\cancel{\text{---}}$ | $\cancel{\text{---}}$ | 0.15  |      |
| ccc                            | $\cancel{\text{---}}$ | $\cancel{\text{---}}$ | 0.35  |      |
| ddd                            | $\cancel{\text{---}}$ | $\cancel{\text{---}}$ | 0.25  |      |
| eee                            | $\cancel{\text{---}}$ | $\cancel{\text{---}}$ | 0.10  |      |
| M                              | 20                    |                       |       |      |

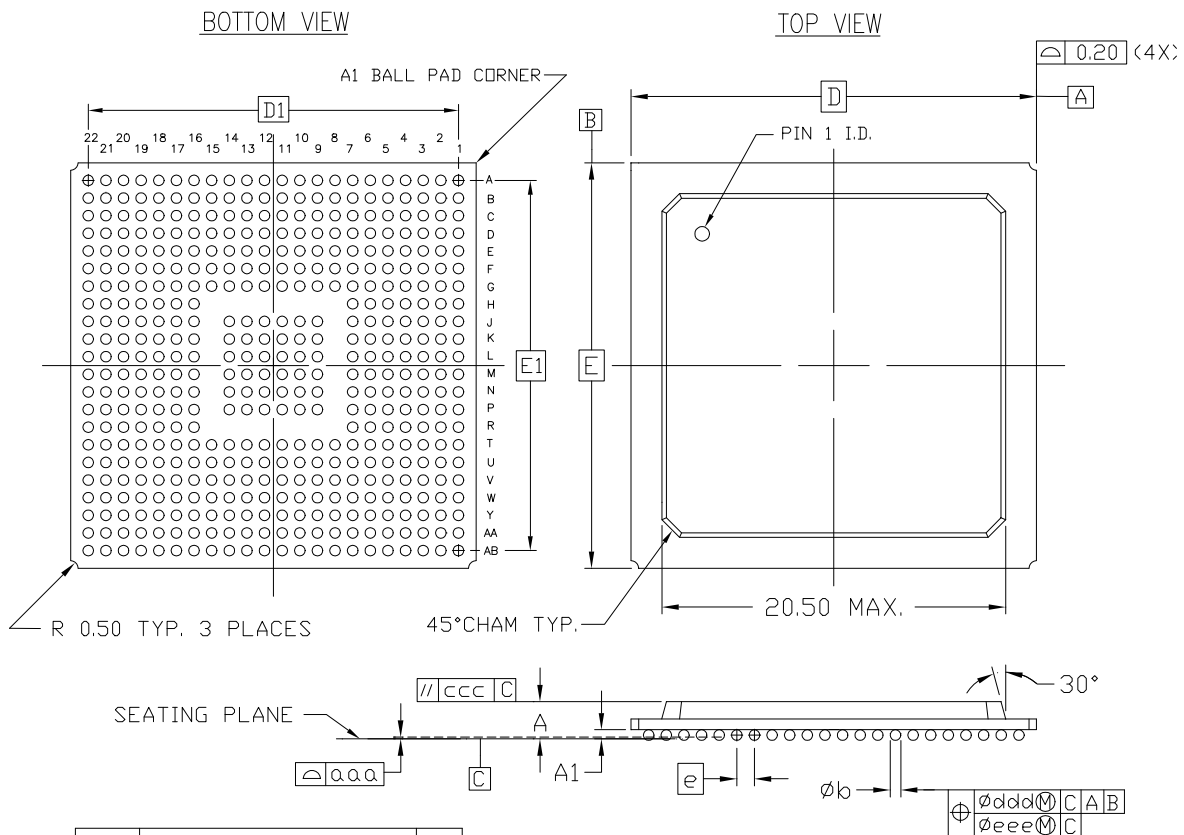
NOTES:

1. ALL DIMENSIONS AND TOLERANCES CONFORM TO ANSI Y14.5M-1994
2. SYMBOL 'M' IS THE BALL MATRIX SIZE.
3. CONFORMS TO JEDEC MS-034-AAH-1

## 400-BALL FINE PITCH BGA (FG400/FGG400)

Figure 17-7: FG400/FGG400 Fine-Pitch BGA Package (pk083)

# FG456/FGG456 Fine-Pitch BGA Package (pk034)



FG456 - 63/37 (Sn/Pb) Solder Balls  
 FGG456 - Sn/Ag/Cu Solder Balls

| SYMBOL                         | MILLIMETERS           |                       |      | NOTE |
|--------------------------------|-----------------------|-----------------------|------|------|
|                                | MIN.                  | NOM.                  | MAX. |      |
| A                              | $\cancel{\text{---}}$ | $\cancel{\text{---}}$ | 2.60 | 3    |
| A <sub>1</sub>                 | 0.35                  | 0.50                  | 0.60 |      |
| D/E                            | 23.00 BSC             |                       |      |      |
| D <sub>1</sub> /E <sub>1</sub> | 21.00 REF             |                       |      | 2    |
| e                              | 1.00 BSC              |                       |      |      |
| phi b                          | 0.50                  | 0.60                  | 0.70 |      |
| aaa                            | $\cancel{\text{---}}$ | $\cancel{\text{---}}$ | 0.20 |      |
| ccc                            | $\cancel{\text{---}}$ | $\cancel{\text{---}}$ | 0.35 | 2    |
| ddd                            | $\cancel{\text{---}}$ | $\cancel{\text{---}}$ | 0.30 |      |
| eee                            | $\cancel{\text{---}}$ | $\cancel{\text{---}}$ | 0.10 |      |
| M                              | 22                    |                       |      |      |

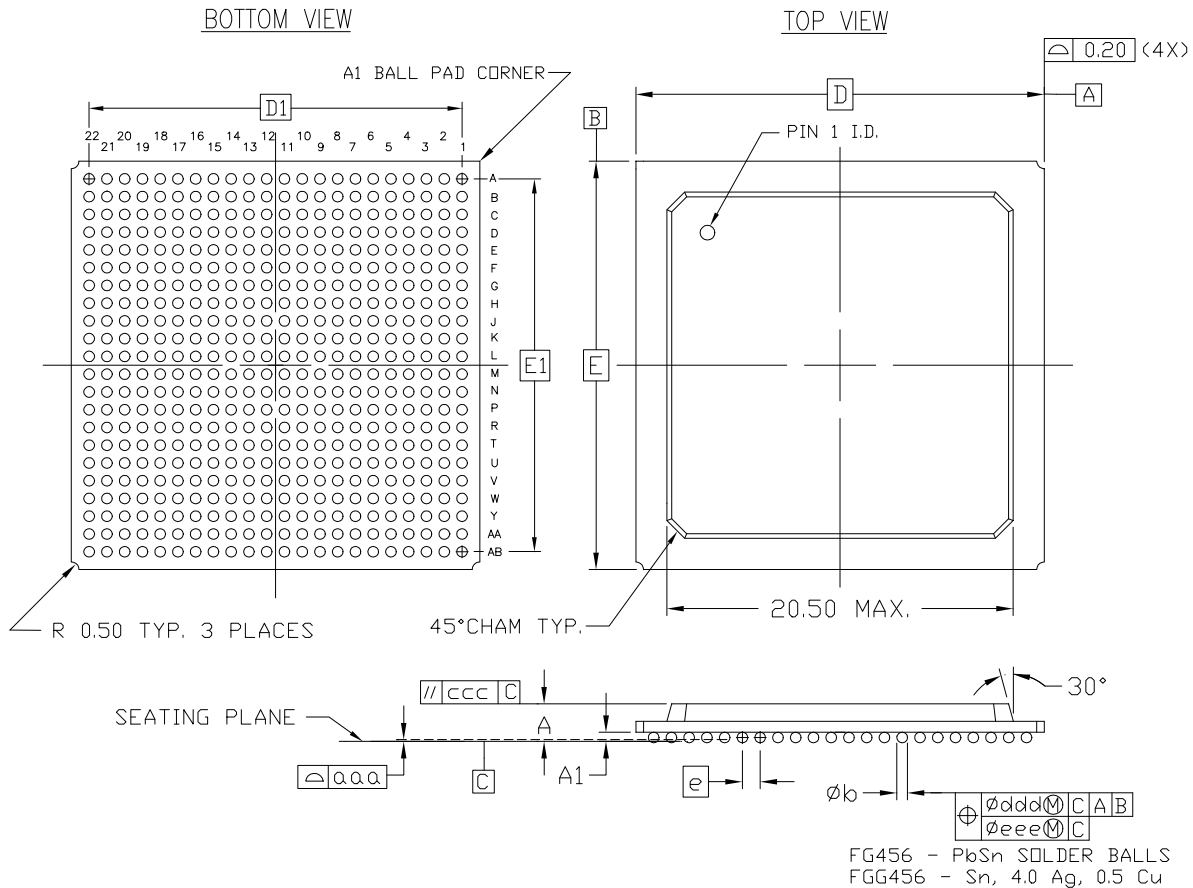
NOTES:

1. ALL DIMENSIONS AND TOLERANCES CONFORM TO ANSI Y14.5M-1994
2. SYMBOL 'M' IS THE BALL MATRIX SIZE.
3. NOMINAL 'A' DIMENSION FOR 2-LAYER IS 2.03mm AND FOR 4-LAYER IS 2.20mm.
4. CONFORMS TO JEDEC MS-034-AAJ-1 (DEPOPULATED)

456-BALL FINE PITCH BGA (FG456/FGG456)

Figure 17-8: FG456/FGG456 Fine-Pitch BGA Package (pk034)

# FG484/FGG484 Fine-Pitch BGA Package (pk081)



| SYMBOL                         | MILLIMETERS |           |      | NOTE |
|--------------------------------|-------------|-----------|------|------|
|                                | MIN.        | NOM.      | MAX. |      |
| A                              | $\approx$   | $\approx$ | 2.60 | 3    |
| A <sub>1</sub>                 | 0.35        | 0.50      | 0.60 |      |
| D/E                            | 23.00 BSC   |           |      | 2    |
| D <sub>1</sub> /E <sub>1</sub> | 21.00 REF   |           |      |      |
| e                              | 1.00 BSC    |           |      |      |
| øb                             | 0.50        | 0.60      | 0.70 |      |
| aaa                            | $\approx$   | $\approx$ | 0.20 |      |
| ccc                            | $\approx$   | $\approx$ | 0.35 |      |
| ddd                            | $\approx$   | $\approx$ | 0.30 |      |
| eee                            | $\approx$   | $\approx$ | 0.10 |      |
| M                              | 22          |           |      |      |

NOTES:

1. ALL DIMENSIONS AND TOLERANCES CONFORM TO ANSI Y14.5M-1994
2. SYMBOL 'M' IS THE BALL MATRIX SIZE.
3. NOMINAL 'A' DIMENSION FOR 2-LAYER IS 2.03mm AND FOR 4-LAYER IS 2.20mm.
4. CONFORMS TO JEDEC MS-034-AAJ-1 (DEPOPULATED)

Figure 17-9: FG484/FGG484 Fine-Pitch BGA Package (pk081)

**Note:** The Spartan-3 generation FPGAs use the 4-layer version of the FG484 package

## CS484/CSG484 Chip-Scale BGA Package (pk223)

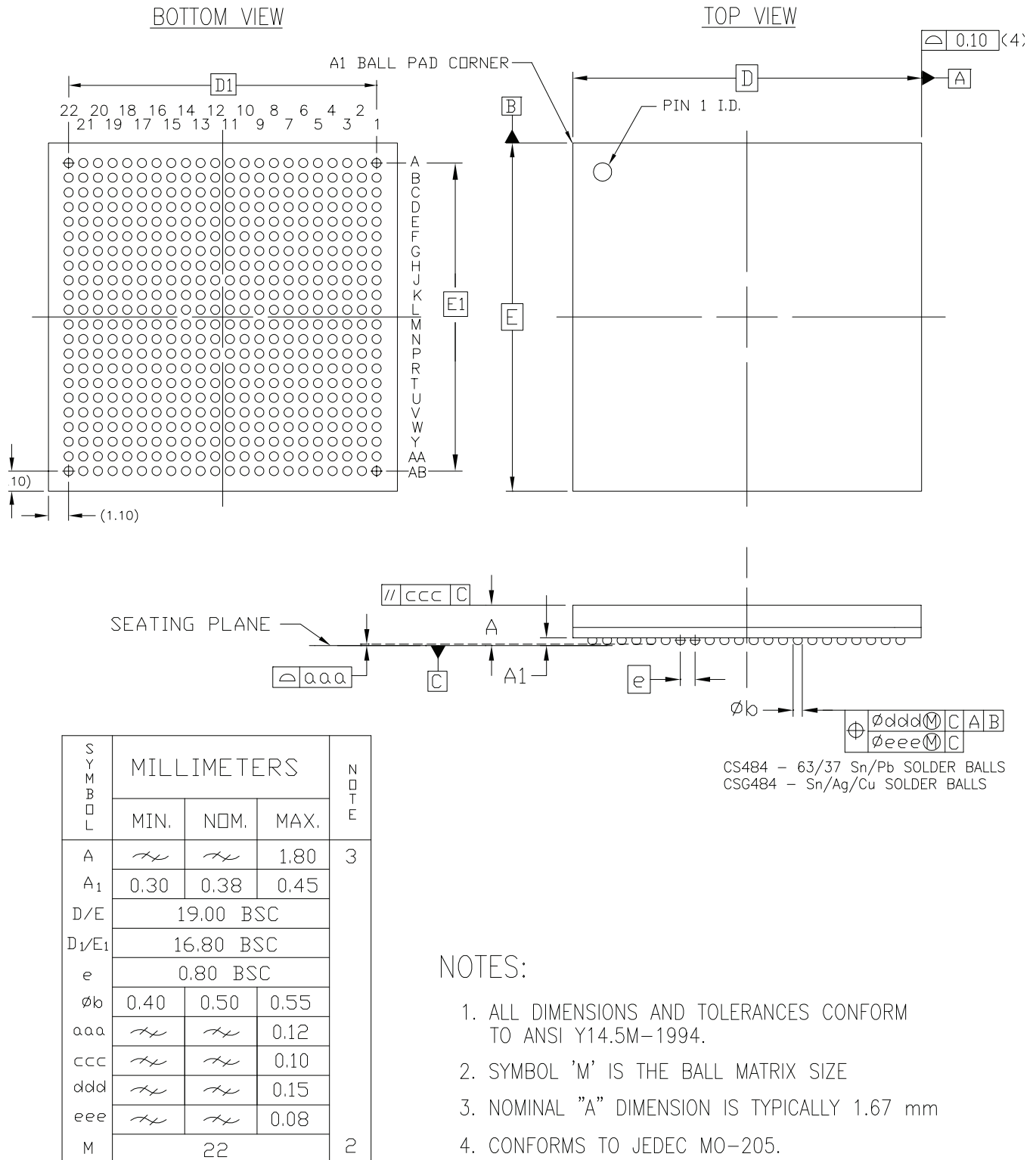
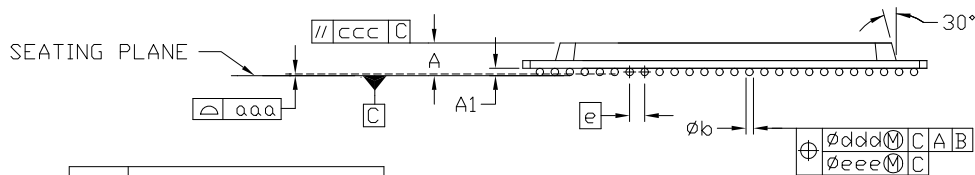
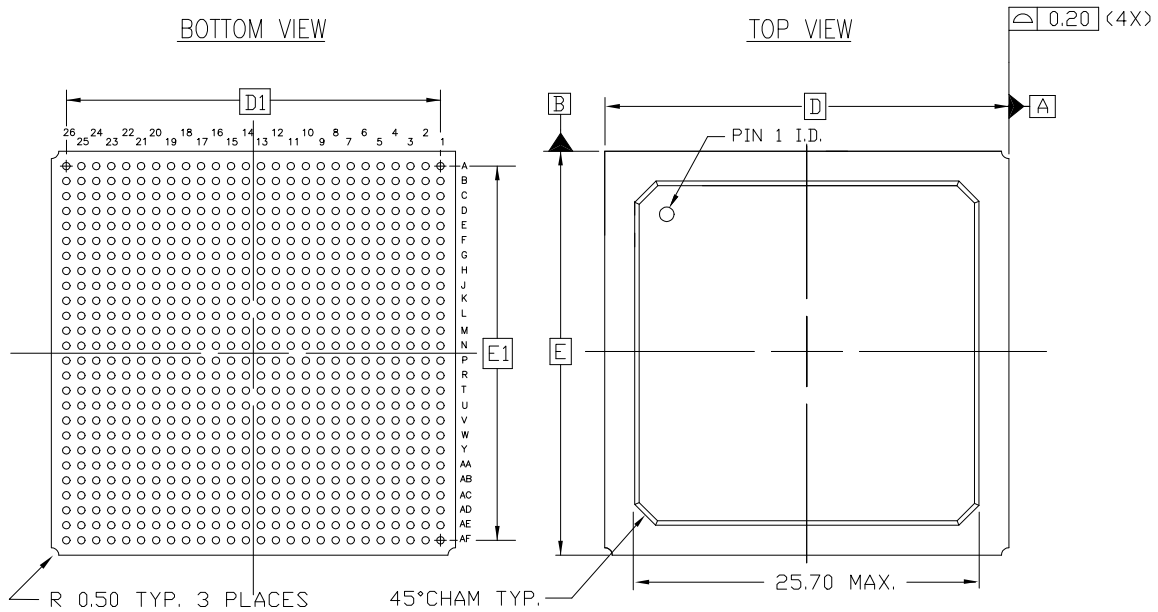


Figure 17-10: CS484/CSG484 Fine-Pitch BGA Package (pk223)

# FG676/FGG676 Fine-Pitch BGA Package (pk035)



FG676 - 63/37 (Sn/Pb) Solder Balls  
 FGG676 - Sn/Ag/Cu Solder Balls

| SYMBOL                         | MILLIMETERS       |                   |      |
|--------------------------------|-------------------|-------------------|------|
|                                | MIN.              | NOM.              | MAX. |
| A                              | $\sqrt{\text{H}}$ | 2.25              | 2.60 |
| A <sub>1</sub>                 | 0.40              | 0.50              | 0.60 |
| D/E                            | 27.00 BSC         |                   |      |
| D <sub>1</sub> /E <sub>1</sub> | 25.00 REF         |                   |      |
| e                              | 1.00 BSC          |                   |      |
| φ <sub>b</sub>                 | 0.50              | 0.60              | 0.70 |
| aaa                            | $\sqrt{\text{H}}$ | $\sqrt{\text{H}}$ | 0.20 |
| ccc                            | $\sqrt{\text{H}}$ | $\sqrt{\text{H}}$ | 0.35 |
| ddd                            | $\sqrt{\text{H}}$ | $\sqrt{\text{H}}$ | 0.30 |
| eee                            | $\sqrt{\text{H}}$ | $\sqrt{\text{H}}$ | 0.10 |
| M                              | 26                |                   |      |

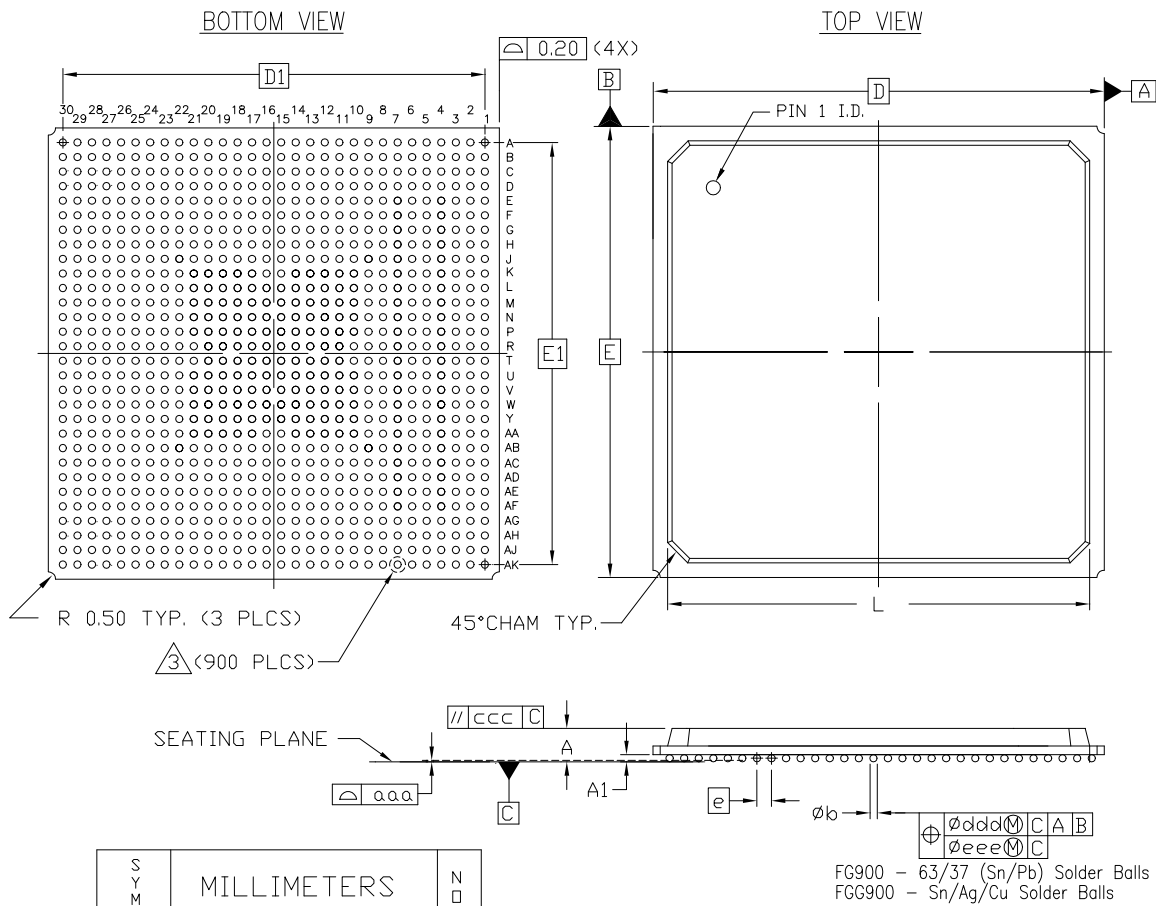
NOTES:

1. ALL DIMENSIONS AND TOLERANCES CONFORM TO ANSI Y14.5M-1994
2. SYMBOL 'M' IS THE BALL MATRIX SIZE.
3. CONFORMS TO JEDEC MS-034-AAL-1

676-BALL FINE PITCH BGA (FG676/FGG676)

Figure 17-11: FG676/FGG676 Fine-Pitch BGA Package (pk035)

## FG900/FGG900 Fine-Pitch BGA Package (pk038)



| SYMBOL                         | MILLIMETERS        |                   |       | NOTE |
|--------------------------------|--------------------|-------------------|-------|------|
|                                | MIN.               | NOM.              | MAX.  |      |
| A                              | $\sqrt{\text{H}}$  | 2.25              | 2.60  | 2    |
| A <sub>1</sub>                 | 0.40               | 0.50              | 0.60  |      |
| D/E                            | 31.00 BSC          |                   |       |      |
| D <sub>1</sub> /E <sub>1</sub> | 29.00 REF          |                   |       |      |
| e                              | 1.00 BSC           |                   |       |      |
| øb                             | 0.50               | 0.60              | 0.70  |      |
| aaa                            | $\sqrt{\text{H}}$  | $\sqrt{\text{H}}$ | 0.20  |      |
| ccc                            | $\sqrt{\text{H}}$  | $\sqrt{\text{H}}$ | 0.35  |      |
| ddd                            | $\sqrt{\text{H}}$  | $\sqrt{\text{H}}$ | 0.30  |      |
| eee                            | $\sqrt{\text{H}}$  | $\sqrt{\text{H}}$ | 0.10  |      |
| L                              | $\sqrt{\text{H}}$  | $\sqrt{\text{H}}$ | 29.05 |      |
| M                              | 30                 |                   |       |      |
| REF.                           | JEDEC MS-034-AAN-1 |                   |       |      |

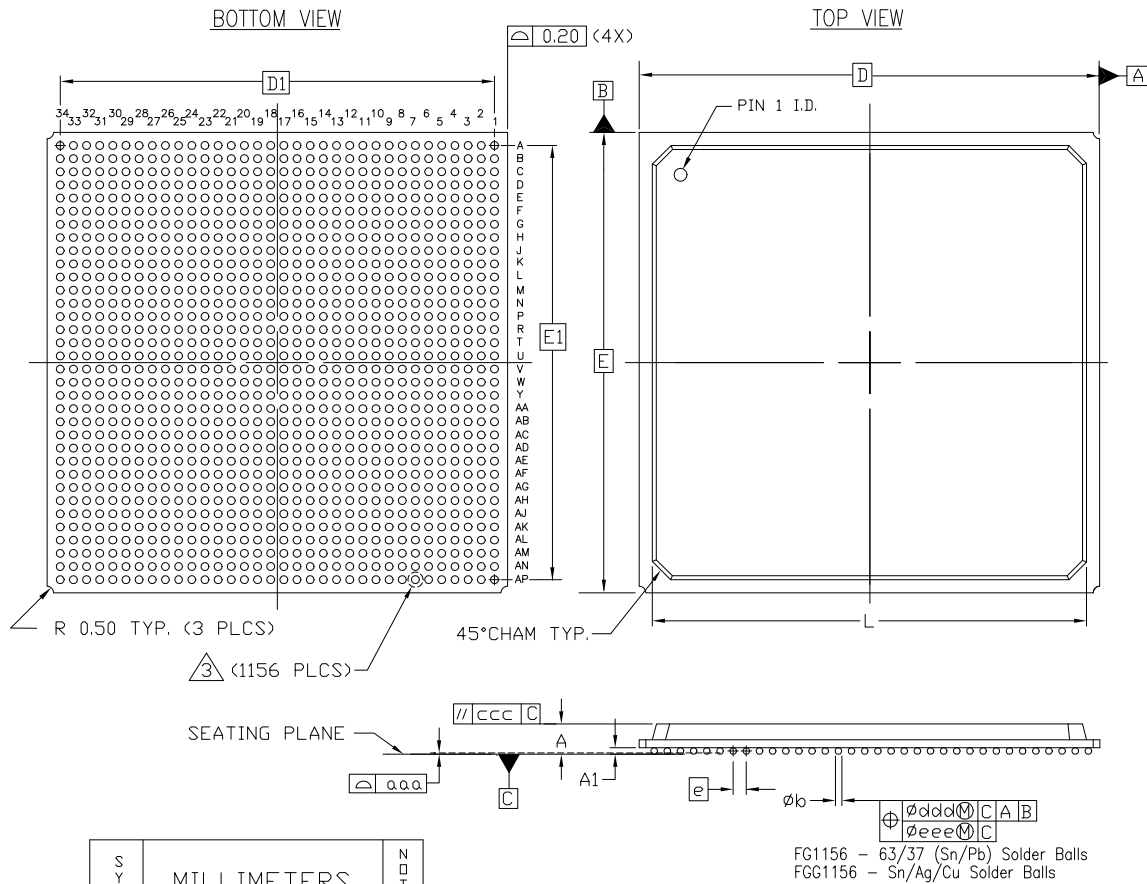
### NOTES:

1. ALL DIMENSIONS AND TOLERANCES CONFORM TO ANSI Y14.5M-1994
  2. SYMBOL 'M' IS THE BALL MATRIX SIZE.
- $\triangle$  LAND PAD OPENING - SOLDER MASK DEFINED  
 ø0.485mm (0.019")

## 900-BALL FINE PITCH BGA (FG900/FGG900)

Figure 17-12: FG900/FGG900 Fine-Pitch BGA Package (pk038)

# FG1156/FGG1156 Fine-Pitch BGA Package (pk039)



| SYMBOL                         | MILLIMETERS       |                   |       | NOTE |
|--------------------------------|-------------------|-------------------|-------|------|
|                                | MIN.              | NOM.              | MAX.  |      |
| A                              | $\sqrt{\text{H}}$ | 2.33              | 2.60  | 2    |
| A <sub>1</sub>                 | 0.40              | 0.50              | 0.60  |      |
| D/E                            | 35.00 BSC         |                   |       |      |
| D <sub>1</sub> /E <sub>1</sub> | 33.00 REF         |                   |       |      |
| e                              | 1.00 BSC          |                   |       |      |
| φ <sub>b</sub>                 | 0.50              | 0.60              | 0.70  |      |
| aaa                            | $\sqrt{\text{H}}$ | $\sqrt{\text{H}}$ | 0.20  |      |
| ccc                            | $\sqrt{\text{H}}$ | $\sqrt{\text{H}}$ | 0.35  |      |
| ddd                            | $\sqrt{\text{H}}$ | $\sqrt{\text{H}}$ | 0.30  |      |
| eee                            | $\sqrt{\text{H}}$ | $\sqrt{\text{H}}$ | 0.10  |      |
| L                              | $\sqrt{\text{H}}$ | $\sqrt{\text{H}}$ | 33.05 |      |
| M                              | 34                |                   |       |      |
| REF.                           | JEDEC MS-034-AAR  |                   |       |      |

NOTES:

1. ALL DIMENSIONS AND TOLERANCES CONFORM TO ANSI Y14.5M-1994
  2. SYMBOL 'M' IS THE BALL MATRIX SIZE.
- △ 3. LAND PAD OPENING - SOLDER MASK DEFINED  $\phi 0.485\text{mm}$  (0.019")

## 1156-BALL FINE PITCH BGA (FG1156/FGG1156)

Figure 17-13: FG1156/FGG1156 Fine-Pitch BGA Package (pk039)





## Powering Spartan-3 Generation FPGAs

### Introduction

FPGA designers are faced with a unique task when it comes to designing power supplies and power distribution systems. Most other ICs have very specific requirements. Because FPGAs can implement a countless number of applications at undetermined frequencies and in multiple clock domains, and have multiple selectable power supplies, it is important to carefully determine the requirements for a specific application and design to those requirements.

### Differences between Spartan-3 Generation Families

The Spartan®-3, Spartan-3E, and extended Spartan-3A families share the same 90 nm process technology and core  $V_{CCINT}$  voltage of 1.2V, and have similar architectures. Therefore they have similar power consumption characteristics. Unlike the other families, the Spartan-3A and Spartan-3A DSP platforms allow  $V_{CCAUX}$  to be 3.3V (the user should set the CONFIG VCCAUX constraint to match the value used). In the Spartan-3AN platform,  $V_{CCAUX}$  must be set to 3.3V. Using a  $V_{CCAUX}$  of 3.3V can eliminate the 2.5V power rail by providing full 3.3V compliance and by being compliant to all aspects of hot-swap applications. [Table 18-1](#) highlights significant differences between the families.

**Table 18-1: Differences between Spartan-3 Generation Families**

| Feature                           | Spartan-3AN FPGA                             | Spartan-3A/3A DSP FPGA                       | Spartan-3E FPGA                              | Spartan-3 FPGA                               |
|-----------------------------------|----------------------------------------------|----------------------------------------------|----------------------------------------------|----------------------------------------------|
| $V_{CCINT}$                       | 1.2V                                         | 1.2V                                         | 1.2V                                         | 1.2V                                         |
| $V_{CCAUX}$                       | 3.3V                                         | 2.5V or 3.3V                                 | 2.5V                                         | 2.5V                                         |
| $V_{CCO}$                         | 1.2V to 3.3V + 10%                           | 1.2V to 3.3V + 10%                           | 1.2V to 3.3V + 5%                            | 1.2V to 3.3V + 5%                            |
| $V_{IN}$ Max Recommended          | 4.6V                                         | 4.6V                                         | $V_{CCO} + 0.5V$                             | 3.75V or $V_{CCO} + 0.3V$                    |
| Hot Swap                          | Full Support                                 | Full Support                                 | Sequenced Connector                          | Sequenced Connector                          |
| $V_{CCO}$ Banks                   | 4                                            | 4                                            | 4                                            | 4-8                                          |
| Power-On Reset Inputs             | $V_{CCINT}$ , $V_{CCAUX}$ , $V_{CCO}$ Bank 2 | $V_{CCINT}$ , $V_{CCAUX}$ , $V_{CCO}$ Bank 2 | $V_{CCINT}$ , $V_{CCAUX}$ , $V_{CCO}$ Bank 2 | $V_{CCINT}$ , $V_{CCAUX}$ , $V_{CCO}$ Bank 4 |
| Power-Off Mode with Active Inputs | $V_{CCO}$ can be removed                     | $V_{CCO}$ can be removed                     | $V_{CCO}$ must be maintained                 | $V_{CCO}$ must be maintained                 |
| Suspend Mode                      | Supported                                    | Supported                                    | N/A                                          | N/A                                          |

Specific requirements for power supplies, including ramp rates and quiescent current, are different for each family and are specified in the FPGA data sheets. Dynamic power

consumption also varies by family and can be estimated using the Xilinx power estimator tools.

## Voltage Supplies

Spartan-3 generation FPGAs have multiple voltage supply inputs, as shown in [Table 18-2](#). There are two supply inputs for internal logic functions,  $V_{CCINT}$  and  $V_{CCAUX}$ . In the Spartan-3A/3A DSP platforms, the  $V_{CCAUX}$  level is programmable as either 2.5V (default) or 3.3V. The user specifies the value in the software through the `CONFIG VCCAUX=2.5` or `CONFIG VCCAUX=3.3` constraint. In the Spartan-3AN platform, the user must set `CONFIG VCCAUX=3.3` (default) for using the In-System Flash.

Table 18-2: Spartan-3 Generation Voltage Supplies

| Supply Input | Description <sup>(1)</sup>                                                                                                                                                                                            | Nominal Supply Voltage                                                                        |
|--------------|-----------------------------------------------------------------------------------------------------------------------------------------------------------------------------------------------------------------------|-----------------------------------------------------------------------------------------------|
| $V_{CCINT}$  | Internal core supply voltage. Supplies all internal logic functions, such as CLBs, block RAM, and multipliers. Input to the Power-On Reset (POR) circuit. Powers input signals for standards at 1.2V, 1.5V, and 1.8V. | 1.2V                                                                                          |
| $V_{CCAUX}$  | Auxiliary supply voltage. Supplies Digital Clock Managers (DCMs), differential drivers, dedicated configuration pins, JTAG interface. Powers 2.5V and 3.3V input signals. Input to the POR circuit.                   | 2.5V; 3.3V option in Spartan-3A/3A DSP platforms;<br>3.3V requirement in Spartan-3AN platform |
| $V_{CCO\_0}$ | Supplies the output buffers in I/O Bank 0, the bank along the top edge of the FPGA.                                                                                                                                   | Selectable: 3.3V, 3.0V, 2.5V, 1.8V, 1.5V, or 1.2V                                             |
| $V_{CCO\_1}$ | Supplies the output buffers in I/O Bank 1, the bank along the right edge of the FPGA. In Byte-Wide Peripheral Interface (BPI) Parallel Flash Mode, connects to the same voltage as the Flash PROM.                    | Selectable: 3.3V, 3.0V, 2.5V, 1.8V, 1.5V, or 1.2V                                             |
| $V_{CCO\_2}$ | Supplies the output buffers in I/O Bank 2, the bank along the bottom edge of the FPGA. Connects to the same voltage as the FPGA configuration source. Input to the POR circuit.                                       | Selectable: 3.3V, 3.0V, 2.5V, 1.8V, 1.5V, or 1.2V                                             |
| $V_{CCO\_3}$ | Supplies the output buffers in I/O Bank 3, the bank along the left edge of the FPGA.                                                                                                                                  | Selectable: 3.3V, 3.0V, 2.5V, 1.8V, 1.5V, or 1.2V                                             |

### Notes:

1. The  $V_{CCO}$  designations apply to Spartan-3E and Spartan-3A/3AN/3A DSP FPGAs. The Spartan-3 family has eight  $V_{CCO}$  supplies numbered 0 to 7 clockwise, starting from the top left half-edge. The Spartan-3 devices in the TQ144 and CP132 packages have four  $V_{CCO}$  supplies as shown, but are connected together to make the equivalent of  $V_{CCO\_TOP}$ ,  $V_{CCO\_RIGHT}$ ,  $V_{CCO\_BOTTOM}$ , and  $V_{CCO\_LEFT}$ .

Each of the I/O banks has a separate  $V_{CCO}$  supply input that powers the output buffers within the associated I/O bank. All of the  $V_{CCO}$  connections to a specific I/O bank must be connected to the same voltage. The  $V_{CCO}$  voltage can be 1.2V to 3.3V, depending on the output standard specified for a given bank.

Most devices have four I/O banks. The Spartan-3 family offers eight I/O banks in most packages, one for each half-edge, except the TQ144 and CP132 packages, which have one  $V_{CCO}$  level per side. In those packages, the  $V_{CCO}$  signals are connected together to form the equivalent of  $V_{CCO\_TOP}$ ,  $V_{CCO\_RIGHT}$ ,  $V_{CCO\_BOTTOM}$ , and  $V_{CCO\_LEFT}$ .

In a 3.3V-only application, all  $V_{CCO}$  supplies and  $V_{CCAUX}$  in the Extended Spartan-3A family, connect to 3.3V. However, Spartan-3 generation FPGAs allow bridging between

different I/O voltages and standards by applying different voltages to the  $V_{CCO}$  inputs of different banks. Refer to “I/O Banking Rules,” page 358 for which I/O standards can be intermixed within a single I/O bank.

In the Extended Spartan-3A family, the 3.3V supplies support the full  $\pm 10\%$  range from 3.0V to 3.6V, simplifying the selection of the 3.3V power supply. The Spartan-3/3E families support  $-10\%$  to  $+5\%$ , or 3.0V to 3.45V.

The Extended Spartan-3A family also allows input voltages ( $V_{IN}$ ) of up to 4.1V, independent of the  $V_{CCO}$  level. The Spartan-3/3E families restrict  $V_{IN}$  to no more than 0.3V/0.5V above  $V_{CCO}$  (or  $V_{CCAUX}$  for dedicated pins). For applications requiring higher voltages, see [XAPP459](#), “Eliminating I/O Coupling Effects when Interfacing Large-Swing Single-Ended Signals to User I/O Pins on Spartan-3 Generation FPGAs”.

## $V_{REF}$

Each I/O bank also has a separate, optional input voltage reference supply, called  $V_{REF}$ . If the I/O bank includes an I/O standard that requires a voltage reference such as HSTL or SSTL, then all  $V_{REF}$  pins within the I/O bank must be connected to the same voltage. The  $V_{REF}$  pins are available as I/O pins if no standards within a bank require them.

Xilinx recommends to always separate  $V_{REF}$  from  $V_{TT}$  as the  $V_{TT}$  supply is very noisy. A stable  $V_{REF}$  using a small LDO is the desirable implementation. A voltage divider implementation is also possible. Knowledge of the PCB environment, such as frequency of coupled noise, is required to correctly calculate the resistance and capacitance values of the divider circuit. As a result, an isolated reference supply is usually a more robust and simpler approach.

## Power Estimation

Xilinx provides a number of spreadsheet and Internet-based power estimation tools, power analyzers, and power-related documentation to meet all power solutions needs. The [Power Solutions](#) page on xilinx.com provides access to these tools, documentation, news, and supply solutions.

There are two recommended ways to estimate the total power consumption (quiescent plus dynamic) for a specific design:

- The XPower Power Estimator spreadsheet provides quick, approximate, typical estimates, and does not require a netlist of the design. (The Spartan-3 family uses the “Web Power Tool”.)
- The XPower Analyzer is delivered with ISE® software and uses a netlist as input to provide maximum estimates as well as more accurate typical estimates.

## Voltage Regulators

The choice of a voltage regulator depends on system requirements and the estimated power consumption requirements for the FPGA. Use the XPower tools to calculate the requirements for a specific device and design. If the design is not complete or the XPower tool does not support the target device, use the closest match in the Spartan-3 generation families that is supported. Then choose a regulator from a pin-compatible family so the current capability can be adjusted up or down. External power FETs are easy to upgrade. A *softstart* feature that controls output ramp time is useful.

With care, use of overcurrent protection is possible, such as foldback or fuses. In this case, apply  $V_{CCAUX}$  no later than  $V_{CCINT}$  to avoid the surplus  $I_{CCINT}$  current (see “[Surplus  \$I\_{CCINT}\$  if  \$V\_{CCINT}\$  is Applied before  \$V\_{CCAUX}\$ ,” page 481](#)). Also be aware that capacitors will be charging at power-on and might draw a significant amount of current for a short time. If necessary, slow the supply voltage ramp to control the charge current. If foldback is not a design requirement, it is best to avoid it, keeping the power supply design simple.

Various power supply manufacturers offer complete power solutions for Xilinx FPGAs including some with integrated three-rail regulators specifically designed for Spartan-3 generation FPGAs. The [Xilinx Power Solutions](#) website provides links to vendor solution guides and Xilinx power estimation and analysis tools.

## Power-On Behavior

Spartan-3 generation FPGAs have a built-in Power-On Reset (POR) circuit that monitors the three power rails required to successfully configure the FPGA (see [Figure 18-1](#)). At power-up, the POR circuit holds the FPGA in a reset state until the  $V_{CCINT}$ ,  $V_{CCAUX}$ , and  $V_{CCO}$  Bank 2 supplies reach their respective input threshold levels (see the respective FPGA data sheets). In the Spartan-3 family, the POR input is  $V_{CCO}$  Bank 4, the equivalent half-edge to  $V_{CCO}$  Bank 2 in the Spartan-3E and Spartan-3A/3AN/3A DSP devices. References to POR and  $V_{CCO}_2$  apply to  $V_{CCO}_4$  in the Spartan-3 family. After all three supplies reach their respective thresholds, the POR reset is released and the FPGA begins its configuration process.

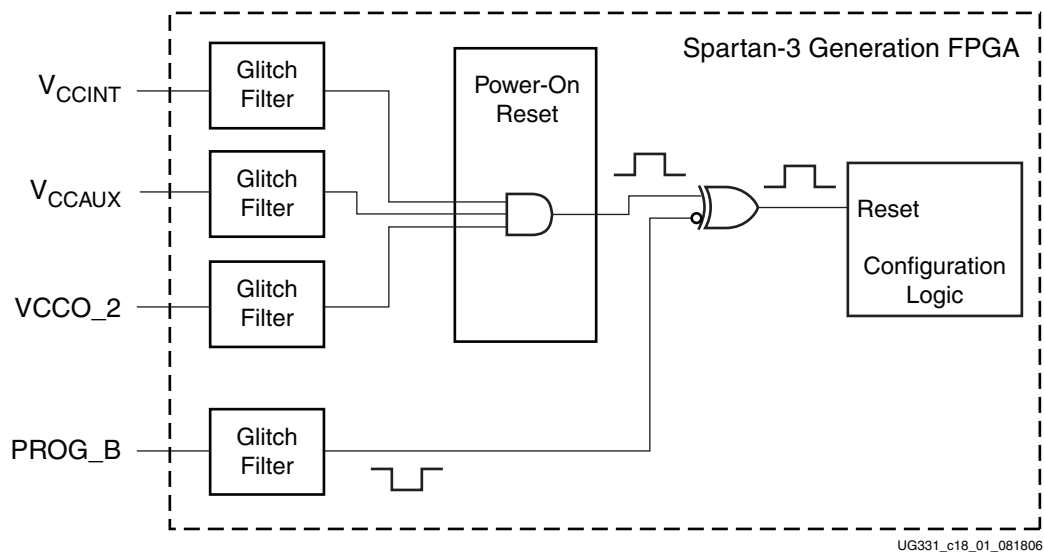


Figure 18-1: Simplified POR Circuit Diagram

## Supply Sequencing

Because the three FPGA supply inputs must be valid to release the POR and can be supplied in any order, there are no FPGA-specific voltage sequencing requirements. Applying the FPGA's  $V_{CCINT}$  supply last uses the least  $I_{CCINT}$  current.

Although the FPGA has no specific voltage sequence requirements, be sure to consider any potential sequencing requirement of the configuration device attached to the FPGA, such as an SPI serial Flash PROM, a parallel NOR Flash PROM, or a microcontroller. For example, Flash PROMs have a minimum time requirement before the PROM can be

selected, and this time must be considered if the 3.3V supply is the last in the sequence. See the *Spartan-3 Generation Configuration User Guide* ([UG332](#)) for more details.

For the Spartan-3AN devices, when configuring from the In-System Flash,  $V_{CCAUX}$  must be in the recommended operating range. On power-up make sure  $V_{CCAUX}$  reaches at least 3.0V before INIT\_B goes High to indicate the start of configuration.  $V_{CCINT}$ ,  $V_{CCAUX}$ , and  $V_{CCO}$  supplies to the FPGA can be applied in any order if this requirement is met.

When all three supplies are valid, the minimum current required to power-on the FPGA equals the worst-case quiescent current, specified in the FPGA data sheets. Spartan-3 generation FPGAs do not require Power-On Surge (POS) current to successfully configure.

## Surplus $I_{CCINT}$ if $V_{CCINT}$ is Applied before $V_{CCAUX}$

If the  $V_{CCINT}$  supply is applied before the  $V_{CCAUX}$  supply, the FPGA might draw a surplus  $I_{CCINT}$  current in addition to the  $I_{CCINT}$  quiescent current levels specified in the FPGA data sheets. The momentary additional  $I_{CCINT}$  surplus current might be a few hundred milliamperes under nominal conditions, significantly less than the instantaneous current consumed by the bypass capacitors at power-on. However, the surplus current immediately disappears when the  $V_{CCAUX}$  supply is applied, and, in response, the FPGA's  $I_{CCINT}$  quiescent current demand drops to the levels specified in the data sheets. The FPGA does not use or require the surplus current to successfully power-on and configure. If applying  $V_{CCINT}$  before  $V_{CCAUX}$ , ensure that the regulator does not have a foldback feature that could inadvertently shut down in the presence of the surplus current. To avoid the surplus current, apply  $V_{CCINT}$  after  $V_{CCAUX}$  has reached its minimum recommended operating condition and is stable. For the lowest power-on current, apply  $V_{CCINT}$  last, after both  $V_{CCAUX}$  and  $V_{CCO}$  have been applied.

## Ramp Rate

To ensure successful power-on,  $V_{CCINT}$ ,  $V_{CCO}$  Bank 2, and  $V_{CCAUX}$  supplies must rise through their respective threshold-voltage ranges with no dips. The FPGA data sheets specify any ramp rate requirements. The Spartan-3 family has no ramp rate requirements for the current revision; refer to the *Spartan-3 FPGA Family Data Sheet* ([DS099](#)) for specifications for earlier versions. The Spartan-3E family has ramp rate requirements from 0.2 to 50 ms. The Spartan-3A/3AN/3A DSP device ramp rate requirements are from 0.2 to 100 ms.

## Hot Swap

Hot swap, also known as hot plug or hot insertion, refers to plugging an unpowered board into a powered system. To support hot swap, an unpowered board or device must be able to be plugged directly into a powered system or backplane without affecting or damaging the system or the board/device. Devices that support hot swap include the following I/O features:

- Signals can be applied to I/O pins before powering the device
- I/O pins are high-impedance (that is, three-stated) before and throughout the power-up and configuration processes
- There is no current path from the I/O pin back to the voltage supplies

While all Spartan-3 generation families can be used in hot-swap applications, they do not offer the same levels of support. The Extended Spartan-3A family is fully hot-swap

compliant to the definition provided above. The Spartan-3/3E families require sequenced connectors to make sure power is applied to the FPGA before the I/Os receive signals.

## Configuration Data Retention, Brown-Out

The FPGA's configuration data is stored in robust CMOS configuration latches. The data in these latches is retained even when the voltages drop to the minimum levels necessary to preserve RAM contents, as specified in the FPGA data sheets.

After configuration, if the  $V_{CCAUX}$  or  $V_{CCINT}$  supply drops below its minimum data retention voltage, the integrity of the CMOS configuration latches is no longer guaranteed, and the current device configuration must be cleared using one of the following methods:

- Force the  $V_{CCAUX}$  or  $V_{CCINT}$  supply voltage below the minimum POR voltage threshold (as shown in the FPGA data sheets), then raise the voltage above the maximum threshold requirement.
- Assert PROG\_B Low.

The POR circuit does not monitor the VCCO\_2 supply after configuration. Consequently, dropping the VCCO\_2 voltage does not reset the device by triggering a POR event. The PROG\_B input bypasses the POR circuit (see [Figure 18-1](#)) and therefore can be used as an independent means to initialize the FPGA.

After the INIT\_B signal goes High to indicate successful clearing of the FPGA, reconfigure the FPGA.

## Saving Power

Lower power consumption not only reduces power supply requirements but also reduces heat, which increases reliability and might allow for smaller form factor packaging and eliminate heat sinks and fans. Xilinx FPGAs are designed to minimize power consumption without sacrificing high performance and low cost.

Dynamic power consumption can be reduced by reducing the number or frequency of nodes and I/O toggling in a design. The lowest power state is the quiescent state with no inputs toggling, all outputs disabled, and no pull-up or pull-down resistors in use. In this state, the power consumption equals the sum of the power required for each power supply.

Consider the following techniques to eliminate any unnecessary switching in a design and reduce dynamic power:

- Bring all incoming signals to a static state
- Apply rail-to-rail levels to inputs wherever possible
  - ◆ Use signals that swing from GND to  $V_{CCO}$
- Turn off as many outputs as possible
- Tie all unused inputs to  $V_{CCO}$  or GND outside device
- Avoid instantiating pull-up and pull-down resistors on I/Os
- Disable as many internal oscillating circuits as possible
- Assign signal standards with small swings to outputs
- Have block RAMs operate in "No read on write" mode to reduce toggling of the outputs of the block RAM
- Reduce the total length of heavy loaded signals to reduce capacitance

## Saving Clock Routing Power

Clocks are a significant aspect of power consumption because of their high fanout nets and also because controlling them limits the number of logic elements toggling in a design. If possible, stop the clock where it enters the FPGA, so that it will not consume any FPGA power. If you cannot gate the clock externally, then disable it inside the FPGA using the BUFGCE component (see [Figure 18-2](#)). The BUFGCE functions as an AND gate for the clock.

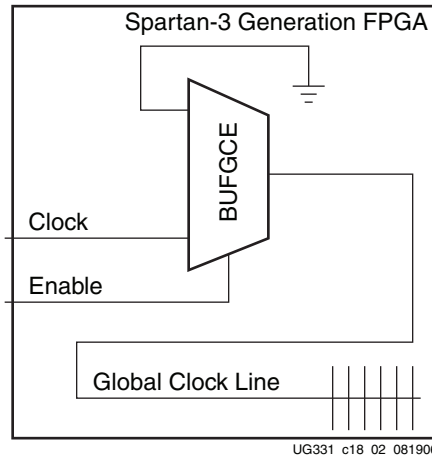


Figure 18-2: Using BUFGCE to Disable a Clock

Avoid using logic to generate gated or multiple clocks. Using CLB logic on a clock signal introduces route-dependent skew and makes the design sensitive to the timing hazards of lot-to-lot variations.

Minimizing the amount of routing a clock net uses is helpful. The Xilinx software automatically disables clock nets in unused columns of CLBs, so reduce the number of clock columns in use by concentrating the clocked logic in the fewest possible columns of CLBs. Also reduce the number of rows that the clock is driving.

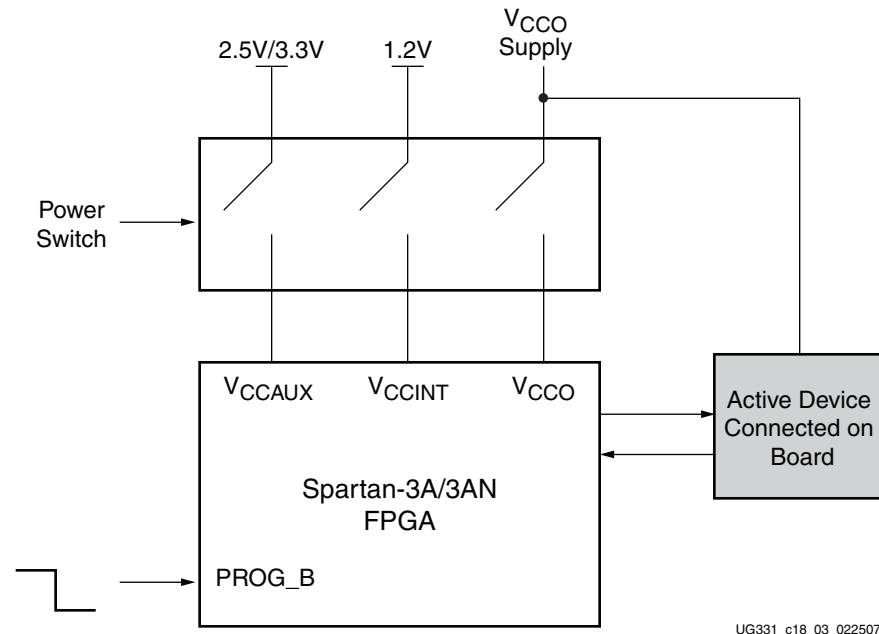
Floorplanning can be helpful to minimize clock power. Partition logic driven by global clocks into clock regions and reduce the number of clock regions to which each global clock is routed. Organize the design into independent clock domains, and clock each domain at the lowest possible frequency.

Even if the clock cannot be manipulated, the activity on the loads can be controlled through the use of clock enables to reduce switching activity on the outputs of flip-flops.

## Power-Off Mode

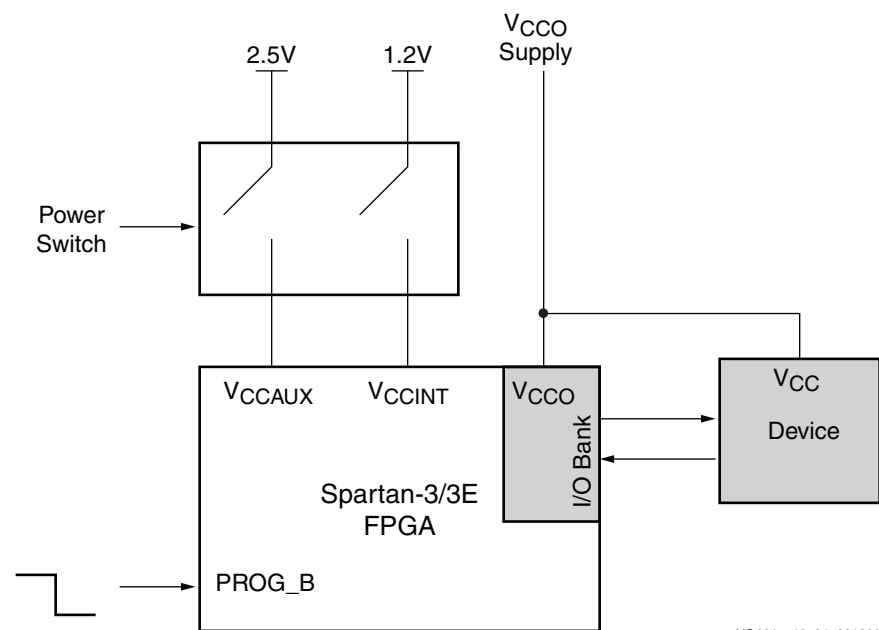
In some cases, the device can simply be powered off to save power. This is useful for designs where the FPGA has lengthy periods of non-operation and the power consumption must be as low as possible. For the Extended Spartan-3A family, all three supplies can be removed even if signals are still toggling on the inputs (see [Figure 18-3](#)). For the Spartan-3E and Spartan-3 families,  $V_{CC0}$  must be kept at a valid level to keep the power diodes off (see [Figure 18-4](#)).  $V_{CCINT}$  and  $V_{CCAUX}$  can still be removed, reducing the total static current to the typical  $I_{CC0}$  quiescent value. External FETs can be used to switch power. Configuration and memory data will be lost, so the FPGA must be reconfigured after powering on again.





UG331\_c18\_03\_022507

Figure 18-3: Spartan-3A/3AN/3A DSP Power-Off Diagram



UG331\_c18\_04\_081806

Figure 18-4: Spartan-3/3E Power-Off Diagram

To enter the Power-Off state, first pull PROG\_B Low to turn the outputs off and initialize the configuration memory to all zeros. After INIT\_B and DONE go Low, switch off  $V_{CCINT}$  and  $V_{CCAUX}$ . To restore power, reapply  $V_{CCINT}$  and  $V_{CCAUX}$  and then pull PROG\_B back High. After INIT\_B goes High, reconfigure the FPGA and return to user mode.



## Suspend Mode

The Spartan-3A/3AN/3A DSP Suspend Mode reduces power to below quiescent current levels while saving the state of the device, including all configuration and user data. For details on the Suspend Mode, see [Chapter 19, “Power Management Solutions.”](#)

## Board Design and Signal Integrity

Building a working system today requires knowledge of a great deal more than just Boolean logic and HDL code. Feature size reduction and the need for reduced power consumption has driven core voltages down from the old standard of 5V to the 1.0V range. This change in voltage and signal frequency content requires the use of new design practices that take into account electrical effects that previously could be ignored. The documents and links on the [Xilinx Signal Integrity](#) website provide everything needed to achieve reliable PCB designs the first time.

## Simultaneously Switching Outputs

Ground or power bounce occurs when a large number of outputs simultaneously switch in the same direction. The output drive transistors all conduct current to a common voltage rail. Low-to-High transitions conduct to the  $V_{CCO}$  rail; High-to-Low transitions conduct to the GND rail. The resulting cumulative current transient induces a voltage difference across the inductance that exists between the die pad and the power supply or ground return. The inductance is associated with bonding wires, the package lead frame, and any other signal routing inside the package. Other variables contribute to SSO noise levels, including stray inductance on the PCB as well as capacitive loading at receivers. Any SSO-induced voltage consequently affects internal switching noise margins and ultimately signal quality.

The number of SSOs allowed for quad-flat packages (VQ, TQ, PQ) is lower than for ball grid array packages (FG) due to the larger lead inductance of the quad-flat packages. The results for chip-scale packaging are better than quad-flat packaging but not as good as for ball grid array packaging. Ball grid array packages are recommended for applications with a large number of simultaneously switching outputs.

Each FPGA data sheet provides guidelines for the recommended maximum allowable number of Simultaneous Switching Outputs (SSOs). These guidelines describe the maximum number of user I/O pins of a given output signal standard that should simultaneously switch in the same direction, while maintaining a safe level of switching noise. Meeting these guidelines for the stated test conditions ensures that the FPGA operates free from the adverse effects of ground and power bounce.

## Power Distribution System Design and Decoupling/Bypass Capacitors

Good power distribution system (PDS) design is important for all FPGA designs, especially for high-performance applications greater than 100 MHz. Proper design results in better overall performance, lower clock and DCM jitter, and a generally more robust system. Before designing the printed circuit board (PCB) for the FPGA design, please review [XAPP623](#), *Power Distribution System (PDS) Design: Using Bypass/Decoupling Capacitors*.

## No Internal Charge Pumps or Free-Running Oscillators

Some system applications are sensitive to sources of analog noise. Spartan-3 generation FPGA circuitry is fully static and does not employ internal charge pumps.

The CCLK configuration clock is active during the FPGA configuration process. After configuration completes, the CCLK oscillator is automatically disabled unless the Bitstream Generator (BitGen) option **Persist=Yes**.

## Large-Swing Signals

Under recommended operating conditions, the User I/O and Dual-Purpose pins of Spartan-3 generation FPGAs handle signals that swing anywhere from 1.2V to 3.3V. The Dedicated pins of these FPGAs normally use the LVCMOS25 standard. To handle signals with a larger swing than is ordinarily recommended, see the guidelines in [XAPP459](#), *Eliminating I/O Coupling Effects when Interfacing Large-Swing Single-Ended Signals to User I/O Pins on Spartan-3 Generation FPGAs*.

## Related Documents

- Power Solutions (<http://www.xilinx.com/power>)
- Signal Integrity ([http://www.xilinx.com/products/design\\_resources/signal\\_integrity](http://www.xilinx.com/products/design_resources/signal_integrity))
- [XAPP453](#), *The 3.3V Configuration of Spartan-3 FPGAs*
- [XAPP623](#), *Power Distribution System (PDS) Design - Using Bypass/Decoupling Capacitors*
- [UG332](#), *Spartan-3 Generation Configuration User Guide*
- [Spartan-3 Generation Data Sheets](#)

## Power Management Solutions

---

### Overview

While some applications require the lowest possible system cost or highest performance, still other applications require the lowest possible standby power. Spartan®-3 generation FPGAs offer low-power options that balance cost and performance trade-offs.

All Spartan-3 generation FPGAs offer a power management option called Hibernate, which essentially allows all or most of the FPGA logic to be turned off to save power. This option also requires that the FPGA be reconfigured before returning to normal operation, and it does not preserve the state of the FPGA application.

The Extended Spartan-3A family (including the Spartan-3A, Spartan-3AN, and Spartan-3A DSP platforms) offers an advanced power management feature called Suspend mode, which reduces FPGA power consumption while retaining the FPGA's configuration data and application state. While Hibernate provides the most power savings, Suspend retains all data and offers fast wake-up times.

[Table 19-1](#) summarizes the difference between Suspend and Hibernate.

**Table 19-1: Spartan-3 Generation Power-Saving Options**

|                                                     | <b>Extended Spartan-3A Family Suspend</b>                       | <b>Extended Spartan-3A Family Hibernate</b>    | <b>Spartan-3/3E Family Hibernate</b> |
|-----------------------------------------------------|-----------------------------------------------------------------|------------------------------------------------|--------------------------------------|
| Configuration data retained                         | Yes                                                             | No                                             |                                      |
| Application state retained (flip-flops, RAM, SRL16) | Yes                                                             | No                                             |                                      |
| Time to exit from power-saving mode                 | Approximately 500 $\mu$ s + DCM lock time + programmable timing | FPGA configuration time (tens of milliseconds) |                                      |
| Power consumption while in power-saving mode        | Low                                                             | Lowest                                         |                                      |
| Power supplies                                      | Maintained or scaled down to save additional power              | Removed                                        | Removed except for $V_{CC0}$         |

## Extended Spartan-3A Family Suspend Mode

The Extended Spartan-3A family introduces an advanced power management option called Suspend mode. This section describes the system advantages of Suspend mode. More details on Suspend mode can be found in [XAPP480, Using Suspend Mode in Spartan-3 Generation FPGAs](#).

Figure 19-1 graphically demonstrates the effect that Suspend mode has on some example, representative designs measured on a typical XC3S1400A FPGA. The results for other array sizes roughly scale with device density. The Suspend mode primarily affects current consumption on the  $V_{CCINT}$  and  $V_{CCAUX}$  power rails, there are also power savings for the  $V_{CCO}$  rail, depending on the how the user-programmable SUSPEND constraints are defined in the application (see “Define the I/O Behavior During Suspend Mode,” page 495).

Figure 19-1 includes three example designs that highlight the Suspend mode behavior:

- **Blank:** A blank FPGA design. No logic is used in this application. A blank design provides the lowest quiescent current and establishes the baseline power consumption.
- **32LVDS:** A design that includes 32 LVDS differential input channels (64 pins) connected to 32 LVDS differential output channels (64 pins). On Extended Spartan-3A family FPGAs, the differential I/O buffers are powered by the  $V_{CCAUX}$  voltage supply.
- **32LVDS+8DCM:** A design that includes the circuitry described for 32LVDS plus eight Digital Clock Managers (DCMs). On Extended Spartan-3A family FPGAs, the differential I/O buffers and DCMs are powered by the  $V_{CCAUX}$  voltage supply.

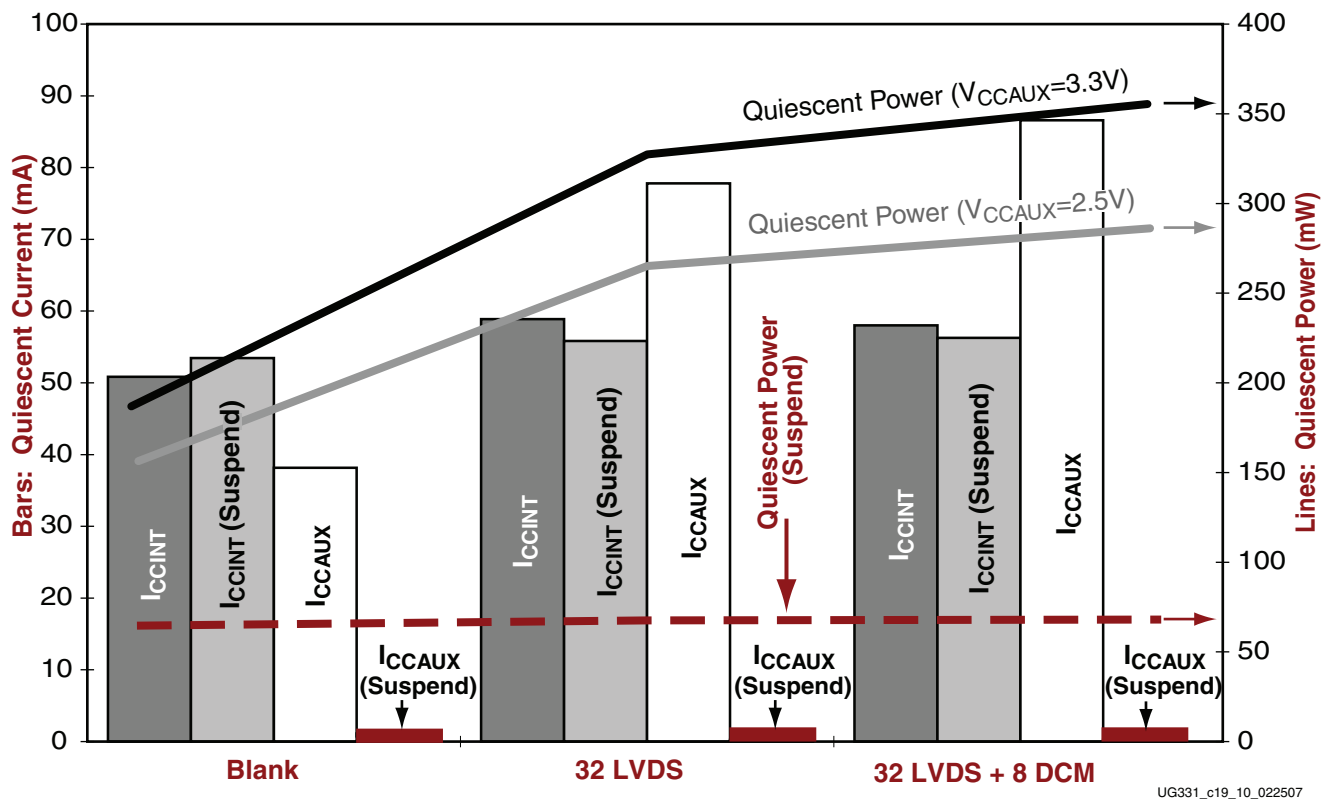


Figure 19-1: Effects of Suspend Mode on Example Designs Measured on Typical XC3S1400A

Figure 19-1 also shows four bars, indicating the typical quiescent current on the  $V_{CCINT}$  and  $V_{CCAUX}$  supplies under normal quiescent conditions with all clocks stopped and during Suspend mode. The associated current measurement, in mA, appears along the left-side vertical axis. Note that the current on  $V_{CCAUX}$  during Suspend mode is near the base of the chart, highlighted in burgundy.

Furthermore, Figure 19-1 shows the quiescent power (current multiplied by the voltage applied to each power rail). The associated resulting power measurement, in mW, appears on the right-side vertical axis. On Spartan-3A/3A DSP FPGAs,  $V_{CCAUX}$  can be either 2.5V or 3.3V nominally. By physics, the quiescent power is lower when  $V_{CCAUX} = 2.5V$ . Note the significant reduction in total power consumption when the Spartan-3A FPGA is in Suspend mode. Although the total power savings is design dependent, Suspend mode typically reduces power consumption by 40% or more, with a minimum power savings of about 20%.

During Suspend mode, some of the circuitry powered by the  $V_{CCAUX}$  supply is switched over to the  $V_{CCINT}$  supply. Note the **Blank** design example in Figure 19-1. The current on the  $V_{CCINT}$  supply actually *increases* while the current on the  $V_{CCAUX}$  supply drops significantly! Fortunately, the total  $V_{CCINT}$  current during Suspend remains below that used in an active FPGA application. Furthermore, despite the increased  $V_{CCINT}$  current, the overall system power is reduced because current is being switched from the 2.5V or 3.3V  $V_{CCAUX}$  supply to the 1.2V  $V_{CCINT}$  supply.

The power savings are more pronounced in the **32LVDS** and **32LVDS+8DCM** examples and both designs use circuitry that consumes current on the  $V_{CCAUX}$  supply.

## Suspend Features and Benefits

- Quiescent current is reduced by 40% or more and active current is significantly reduced.
- FPGA configuration data and the present state of the FPGA application during Suspend mode is retained.
- Fast, programmable FPGA wake-up time from Suspend mode, in as little as 500  $\mu s$ .
- Each user-I/O pin has an individual control that defines how the pin behaves during Suspend mode.
- When enabled in the FPGA bitstream, Suspend mode is externally activated by the system using a single dedicated control pin called SUSPEND. Note that the SUSPEND pin, and therefore Suspend mode, is not available in the VQ100 package.
- The FPGA's AWAKE pin indicates the present Suspend mode status. AWAKE is automatically dedicated when SUSPEND is enabled in the FPGA bitstream.

## Design Preparation for Suspend Mode

To use the Suspend feature in an Extended Spartan-3A family FPGA application, follow these steps:

1. [Define the I/O Behavior During Suspend Mode](#) in the source design or in a user constraints file (UCF).
2. [Define the AWAKE Pin Behavior when Suspend Feature Enabled](#).
3. [Define the SUSPEND Input Glitch Filter](#) setting.
4. [Define the Suspend Mode Wake-Up Timing Controls](#).
5. [Enable the Suspend Feature](#).
6. Generate the FPGA bitstream.

## Entering Suspend Mode

Figure 19-2 provides a block diagram of how an Extended Spartan-3A family FPGA enters Suspend mode. Figure 19-3 provides example waveforms.

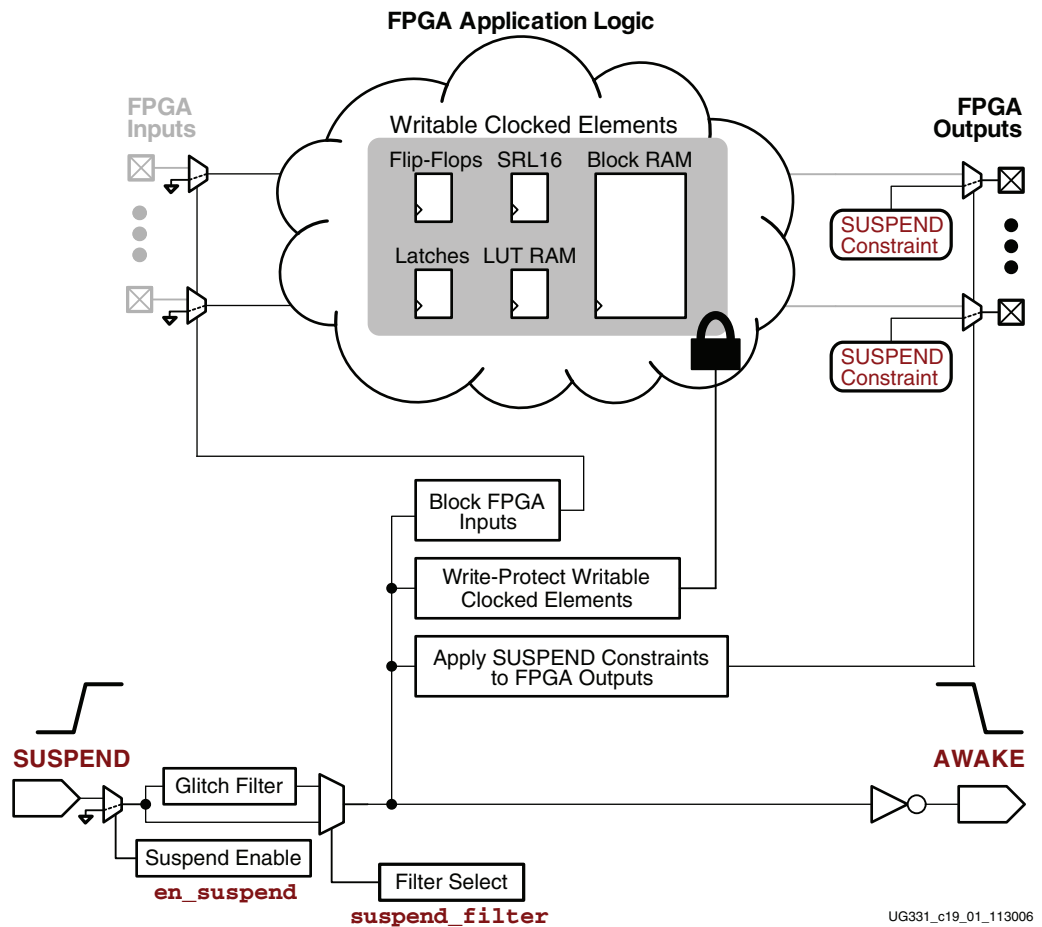


Figure 19-2: Entering Suspend Mode

The FPGA can only enter Suspend mode if enabled in the configuration bitstream (see “Enable the Suspend Feature”). Once power is applied to the system, the FPGA always powers up and configures regardless of the value applied to the SUSPEND pin. Once enabled via the bitstream, the FPGA unconditionally and quickly enters Suspend mode if the SUSPEND pin is asserted. If Suspend is not enabled in the bitstream, the SUSPEND input will have no effect and the AWAKE pin will be usable as a general-purpose I/O.

When the FPGA enters Suspend mode, all nonessential FPGA functions are shut down to minimize power dissipation. The FPGA retains all application state and configuration data while in Suspend mode. All writable clock elements are write-protected against spurious write operations. All FPGA inputs and interconnects are shut down.

Each FPGA output pin or bidirectional I/O pin assumes its defined Suspend mode behavior, which is described as part of the FPGA design using a “SUSPEND Constraint”.

The AWAKE pin goes Low, indicating that the FPGA is in Suspend mode. The DONE pin remains High while the FPGA is in Suspend mode because the FPGA does not lose its configuration data.

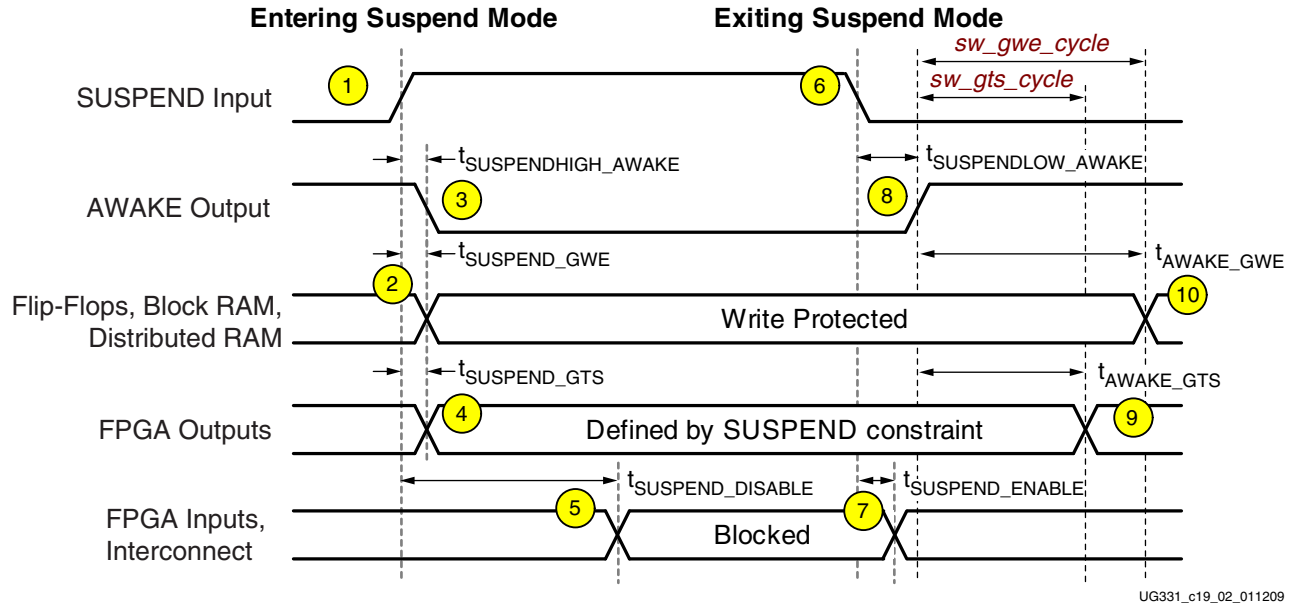


Figure 19-3: Suspend Mode Waveforms (Entering and Exiting)

Items 1 through 5 in Figure 19-3 are described below:

1. An external signal drives the FPGA's SUSPEND pin High, unconditionally forcing the FPGA into the power-saving Suspend mode. Data values are captured for I/O pins with a SUSPEND constraint set to DRIVE\_LAST\_VALUE; however, this value is not presented until Step 4.
2. In response to the SUSPEND input going High, the FPGA immediately write protects and preserves the states of all clocked elements. The states of all flip-flops, block RAM, distributed RAM (LUT RAM), shift registers (SRL16), and I/O latches are preserved during Suspend mode.
3. The FPGA drives the AWAKE output Low to indicate that it is entering SUSPEND mode.
4. The FPGA switches the normal behavior of all outputs over to the Suspend mode behavior defined by the SUSPEND constraint assigned to each I/O. See "Define the I/O Behavior During Suspend Mode," page 495.
5. FPGA inputs are blocked and the interconnects shut off to prevent any internal switching activity.

## Exiting Suspend Mode

There are two possible ways to exit Suspend mode in a powered system:

1. Drive the SUSPEND input Low, exiting Suspend mode normally.
2. Pulse the PROG\_B input Low, resetting the FPGA and causing the FPGA to reprogram.

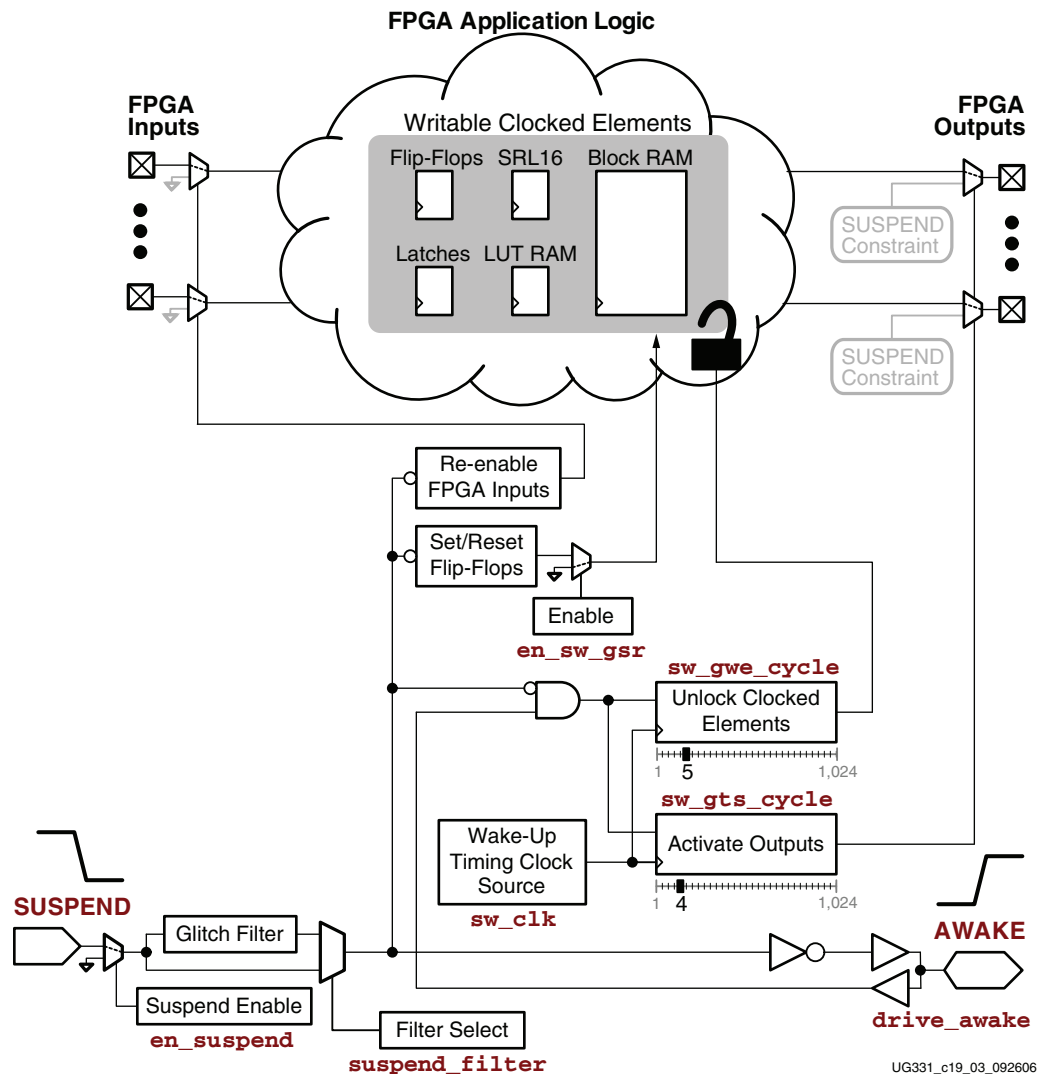


Figure 19-4: Exiting Spartan-3A/3AN/3A DSP Suspend Mode

Figure 19-4 is a block diagram showing how to exit Suspend mode using the SUSPEND pin.

When SUSPEND goes Low, the FPGA automatically re-enables all inputs and interconnects.

If enabled in the FPGA bitstream, all flip-flops are optionally, globally set or reset according to the FPGA design description. By default, the flip-flops are not globally set or reset, which preserves the state of the FPGA application before entering Suspend mode.

The remaining wake-up process depends on the logic value applied to the AWAKE Pin. Once AWAKE goes High, two user-programmable timers define when FPGA outputs are



re-enabled and when the write-protect lock is released from all writable clocked elements. The wake-up timing clock source is also programmable.

Items 6 through 10 correspond to the markers in [Figure 19-3, page 491](#):

6. The system drives the FPGA's SUSPEND input Low, causing the FPGA to exit Suspend mode.
7. The FPGA releases the inputs and interconnect, allowing signals to propagate internally. There is no danger of corrupting the internal state because all clocked elements are still write protected.
8. The FPGA asserts the AWAKE signal with the bitstream option *drive\_aware:yes*. If the option is *drive\_aware:no*, then the FPGA releases AWAKE to become an open-drain output. In this case, an external pull-up resistor is required or an external signal must drive AWAKE High before the FPGA continues to awaken. All subsequent timing is measured from when the AWAKE output goes High.
9. The FPGA switches output behavior from the specified [SUSPEND Constraint](#) to the function specified in the FPGA application. The timing of this switch-over is controlled by the Suspend/Wake *sw\_gts\_cycle* bitstream generation setting, which defines when the FPGA's internal Global Three-State (GTS) control is released. After the specified number of clock cycles, the outputs are active according to normal FPGA application. By default, the outputs switch over four clock cycles after AWAKE goes High. The outputs are generally released before the clocked elements to allow signals to propagate out of the FPGA.
10. The writable, clocked elements are released according to the Suspend/Wake *sw\_gwe\_cycle* bitstream generator setting, which defines when the FPGA's internal Global Write Enable (GWE) control is asserted. After the specified cycle, it is again possible to write to flip-flops, block RAM, distributed RAM (LUT RAM), shift registers (SRL16), and I/O latches. By default, the clocked elements are released five clock cycles after AWAKE goes High. Generally, the write-protect lock should be held until after outputs are enabled.

It is good design practice to apply a Reset to any design DCMs after exiting the Suspend mode.

## PROG\_B Programming Pin Always Overrides Suspend Mode

Pulsing the PROG\_B programming pin Low always overrides Suspend mode and forces the FPGA to restart configuration. Likewise, power-cycling the FPGA also restarts configuration.

## Suspend Mode Timing Example

[Table 19-2](#) provides example, typical timing for the Extended Spartan-3A Family FPGA Suspend feature. Refer to the *Spartan-3A FPGA Family Data Sheet* ([DS529](#)), the *Spartan-3AN FPGA Family Data Sheet* ([DS557](#)), and the *Spartan-3A DSP FPGA Family Data Sheet* ([DS610](#)) as the official sources of these values.

Table 19-2: Suspend Mode Timing Parameters

| Symbol                       | Description                                                                                                                                                        | Min  | Typ        | Max  | Units |
|------------------------------|--------------------------------------------------------------------------------------------------------------------------------------------------------------------|------|------------|------|-------|
| <b>Entering Suspend Mode</b> |                                                                                                                                                                    |      |            |      |       |
| TSUSPENDHIGH_AWAKE           | Rising edge of SUSPEND pin to falling edge of AWAKE pin without glitch filter ( <i>suspend_filter:No</i> )                                                         | –    | 7          | –    | ns    |
| TSUSPENDFILTER               | Adjustment to SUSPEND pin rising edge parameters when glitch filter enabled ( <i>suspend_filter:Yes</i> )                                                          | +160 | +300       | +600 | ns    |
| TSUSPEND_GWE                 | Rising edge of SUSPEND pin until FPGA output pins drive their defined SUSPEND constraint behavior                                                                  | –    | 10         | –    | ns    |
| TSUSPEND_GTS                 | Rising edge of SUSPEND pin to write-protect lock on all writable clocked elements                                                                                  | –    | < 5        | –    | ns    |
| TSUSPEND_DISABLE             | Rising edge of the SUSPEND pin to FPGA input pins and interconnect disabled                                                                                        | –    | 340        | –    | ns    |
| <b>Exiting Suspend Mode</b>  |                                                                                                                                                                    |      |            |      |       |
| TSUSPENDLOW_AWAKE            | Falling edge of the SUSPEND pin to rising edge of the AWAKE pin. Does not include DCM lock time.                                                                   | –    | 4 to 108   | –    | μs    |
| TSUSPEND_ENABLE              | Falling edge of the SUSPEND pin to FPGA input pins and interconnect re-enabled                                                                                     | –    | 3.7 to 109 | –    | μs    |
| TAWAKE_GWE1                  | Rising edge of the AWAKE pin until write-protect lock released on all writable clocked elements, using <i>sw_clk:InternalClk</i> and <i>sw_gwe_cycle:1</i> .       | –    | 67         | –    | ns    |
| TAWAKE_GWE512                | Rising edge of the AWAKE pin until write-protect lock released on all writable clocked elements, using <i>sw_clk:InternalClk</i> and <i>sw_gwe_cycle:512</i> .     | –    | 14         | –    | μs    |
| TAWAKE_GTS1                  | Rising edge of the AWAKE pin until outputs return to the behavior described in the FPGA application, using <i>sw_clk:InternalClk</i> and <i>sw_gts_cycle:1</i> .   | –    | 57         | –    | ns    |
| TAWAKE_GTS512                | Rising edge of the AWAKE pin until outputs return to the behavior described in the FPGA application, using <i>sw_clk:InternalClk</i> and <i>sw_gts_cycle:512</i> . | –    | 14         | –    | μs    |

## Enable the Suspend Feature

The Suspend power-saving feature must first be enabled in the FPGA bitstream before it can be used. By default, the Suspend feature is disabled, SUSPEND has no effect, and the AWAKE pin is usable as a general-purpose I/O. When Suspend is enabled, the software will not allow use of the AWAKE pin for I/O.

### Via User Constraints File (UCF)

Suspend mode is enabled and the [SUSPEND Input Glitch Filter](#) option is defined using a CONFIG statement in a user constraints file (UCF). [Table 19-3](#) shows the available options. This is the recommended method for enabling Suspend mode as this constraint also automatically reserves the AWAKE pin.

```
CONFIG ENABLE_SUSPEND = "FILTERED" ;
```

Figure 19-5: UCF Constraint Defining Suspend Mode Behavior for an I/O pin

Table 19-3: Available Options for the ENABLE\_SUSPEND Constraint

| Option     | Suspend Mode             | SUSPEND Pin Filter                          | AWAKE Pin                                           |
|------------|--------------------------|---------------------------------------------|-----------------------------------------------------|
| NO         | Suspend mode is disabled | Not applicable. Connect SUSPEND pin to GND. | Available as a user I/O pin in the FPGA application |
| FILTERED   | Suspend mode is enabled  | Glitch filter is enabled                    | AWAKE status indicator                              |
| UNFILTERED |                          | Glitch filter is bypassed                   |                                                     |

### Via BitGen

**Caution!** Setting the `en_suspend` bitstream option is an alternate way to enable the Suspend mode. However, this method is not recommended because it does not automatically reserve the AWAKE pin in the application.

```
bitgen -g en_suspend:Yes
```

## Define the I/O Behavior During Suspend Mode

Use a [SUSPEND Constraint](#) to define the behavior of each pin to be programmed differently than the default, 3STATE.

### Single-Ended I/O Standards

Each output, open-drain output, or bidirectional I/O pin in the FPGA application that uses a single-ended I/O standard can be individually programmed for one of the Suspend mode behaviors shown in [Table 19-4](#). The default behavior is for the pin to be high impedance during Suspend mode although other options are available.

Table 19-4: Output Behavior Options during Suspend Mode

| SUSPEND Attribute   | Function                                                                                                                                                                                               |
|---------------------|--------------------------------------------------------------------------------------------------------------------------------------------------------------------------------------------------------|
| DRIVE_LAST_VALUE    | The output continues to drive the level that was last stored in the output latch, according to the chosen standard. Requires $V_{CC0}$ to remain at the recommended operating conditions for the bank. |
| 3STATE<br>(default) | The output is in the high-impedance state with no active internal pull-up or pull-down resistor. Results in the lowest possible I/O current draw.                                                      |
| 3STATE_PULLUP       | The output is in the high-impedance state with an internal pull-up resistor to the associated $V_{CC0}$ supply. Requires $V_{CC0}$ to remain at the recommended operating conditions for the bank.     |
| 3STATE_PULLDOWN     | The output is in the high-impedance state with an internal pull-down resistor to GND.                                                                                                                  |
| 3STATE_KEEPER       | The output is high impedance. The internal bus keeper circuit is active. Requires $V_{CC0}$ to remain at the recommended operating conditions for the bank.                                            |

### Differential I/O Standards

The differential output drivers and input receivers consume static power when used in an FPGA application. In Suspend mode, differential inputs and outputs are disabled to save power.

The output drivers for the “true” differential I/O standards (LVDS, RSDS, mini-LVDS, PPDS, TMDS) are high impedance, using one of the [3STATE](#) attributes described in [Table 19-4](#). The [DRIVE\\_LAST\\_VALUE](#) attribute is not supported for differential output drivers.

Treat the pseudo-differential I/O standards, such as BLVDS, LVPECL, DIFF\_HSTL, and DIFF\_SSTL, as two single-ended I/O pins. All the attributes apply as for “[Single-Ended I/O Standards](#)” although the settings must be set appropriately for the complementary pair.

When in the high-impedance state, the differential driver pair does not conduct current to the power or ground rails, or between adjacent pins.

Differential input receivers are disabled in Suspend mode.

Differential input termination (DIFF\_TERM) is disabled when in Suspend mode.

## SUSPEND Constraint

The SUSPEND constraint allows each pin to have an individually defined behavior during Suspend mode. The available options are in [Table 19-4, page 495](#).

### UCF Example

[Figure 19-6](#) shows an example UCF constraint that defines the Suspend mode behavior for a specific pin. The SUSPEND constraint can be included on the same UCF line as other constraints for a pin.

```
NET "<net_name>" SUSPEND = "<io_type>" ;
```

*Figure 19-6: UCF Constraint Defining Suspend Mode Behavior for an I/O pin*

### More Information

For additional information on the SUSPEND constraint, see the Constraints Guide for the latest software version ([www.xilinx.com/support/software\\_manuels.htm](http://www.xilinx.com/support/software_manuels.htm)).

- **Constraints Guide** for ISE® 10 Software  
<http://toolbox.xilinx.com/docsan/xilinx10/books/docs/cgd/cgd.pdf>

## Application State Retained during Suspend Mode

When entering Suspend mode, all writable clocked elements are write-protected. The state of all clocked memory elements is retained during Suspend mode.

- Logic block flip-flops
- I/O block latches and flip-flops
- Logic block distributed RAM (LUT RAM)
- Logic block shift registers (SRL16)
- Block RAM and registers

When exiting Suspend mode, all writable clocked elements are re-enabled, controlled by the [sw\\_gwe\\_cycle](#) setting.

An additional bitstream option called [en\\_sw\\_gsr](#) controls whether all clocked elements are globally set or reset when the FPGA awakens from Suspend mode. By default, [en\\_sw\\_gsr:No](#), which means that clocked elements are not set or reset when the FPGA awakens and all states are preserved.

## Suspend Mode Wake-Up Timing Controls

When exiting Suspend mode, the wake-up sequence for the FPGA is programmable and controlled by a single clock.

### Wake-Up Timing Clock Source (sw\_clk)

The wake-up timing when exiting Suspend mode is controlled by a selectable clock source as shown in Figure 19-7 and described in Table 19-5. The clock source is defined by up to two bitstream generator options, *sw\_clk* and sometimes *StartupClk*.

The internal oscillator is disabled during Suspend mode to conserve power.

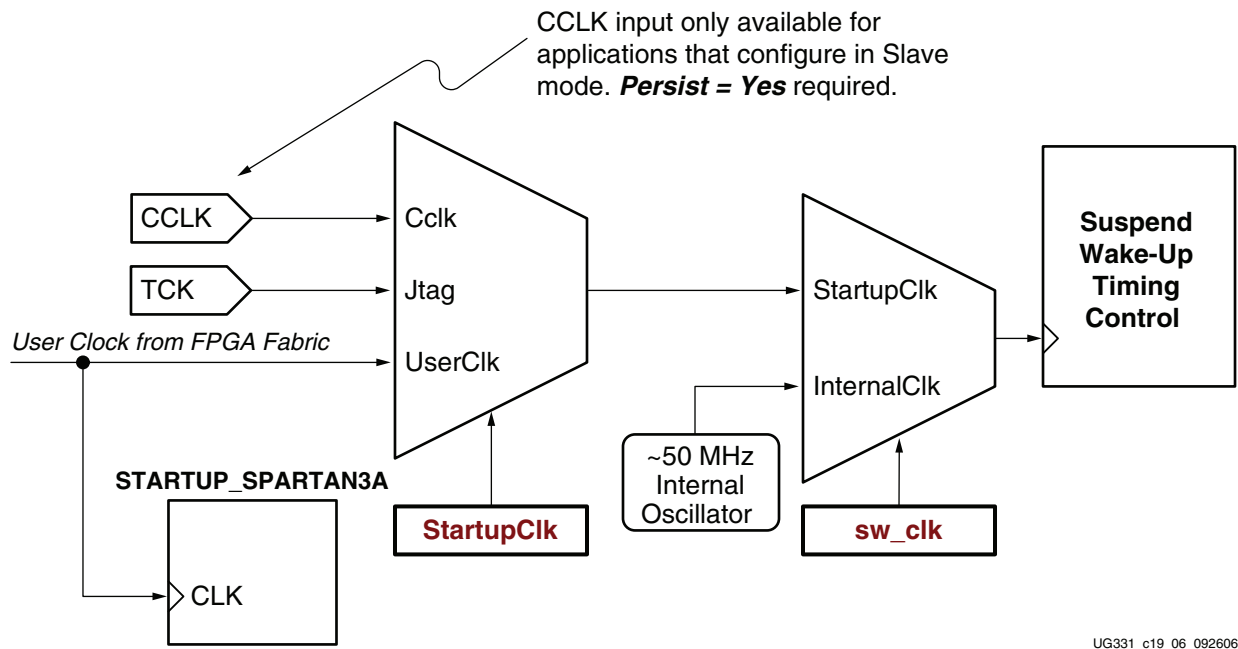


Figure 19-7: Suspend Mode Wake-Up Timing Control Clock Selection

- The *sw\_clk* option is specific to the Suspend feature. By default, *sw\_clk:InternalClk*.
- The *StartupClk* option is available on every application. By default *StartupClk:Cclk*. Consequently, the CCLK pin is the default clock source when exiting Suspend mode.

Table 19-5: Clock Sources to Wake-Up from Suspend Mode

| sw_clk Setting | StartupClk Setting | Clock Source                                        | Restriction                                                                                                                                                                                                                       |
|----------------|--------------------|-----------------------------------------------------|-----------------------------------------------------------------------------------------------------------------------------------------------------------------------------------------------------------------------------------|
| InternalClk    | --                 | Internal Oscillator                                 | The oscillator has an imprecise frequency of about 50 MHz.                                                                                                                                                                        |
| StartupClk     | Cclk               | CCLK pin on FPGA                                    | This option is only available for FPGAs using Slave configuration mode. The bitstream option <i>Persist:Yes</i> must be set. This option is not available for FPGAs using the Master configuration mode; use InternalClk instead. |
|                | JtagClk            | TCK pin on FPGA                                     | The JTAG interface must be active to exit Suspend mode.                                                                                                                                                                           |
|                | UserClk            | CLK input on the STARTUP_SPARTAN3A design primitive | The clock input to the STARTUP design primitive can originate from any nonclocked signal in the FPGA. It cannot originate from a flip-flop source because all clocked elements are write-protected while in Suspend mode.         |

### Switch Outputs from Suspend to Normal Behavior (sw\_gts\_cycle)

The Suspend/Wake *sw\_gts\_cycle* bitstream option controls when I/O pins are released from their SUSPEND constraint settings and returned to normal operation. The timing is controlled by the “Wake-Up Timing Clock Source (sw\_clk)” described above. The default *sw\_gts\_cycle* setting is 4 cycles, but this control can be set for any value between 1 and 1,024 clock cycles.

This control becomes active after the AWAKE pin goes High. After the specified number of clock cycles, all output, open-drain output, and bidirectional I/O pins transition from their Suspend behavior, individually specified using a [SUSPEND Constraint](#), back to the normal behavior specified in the original FPGA application.

It is best to release the outputs before releasing the write-protect lock on all clocked elements.

### Release Write Protect on Clocked Elements (sw\_gwe\_cycle)

The Suspend/Wake *sw\_gwe\_cycle* bitstream option controls when the write-protect lock is released on all clocked elements.

The timing is controlled by the [Wake-Up Timing Clock Source \(sw\\_clk\)](#) described above. The default *sw\_gwe\_cycle* setting is 5 cycles, but this control can be set for any value between 1 and 1,024 clock cycles.

This control becomes active after the AWAKE pin goes High. After the specified number of clock cycles, the write-protect lock is released from all writable, clocked elements such as flip-flops, block RAM, etc.

If the *en\_sw\_gsr:yes* option was set, then the clocked elements are already globally set or reset to the value specified in the original FPGA design before the write-protect lock is released. If *en\_sw\_gsr:no*, then the state of the FPGA before entering Suspend mode is preserved.

It is best to release the outputs before releasing the write-protect lock on all clocked elements.

## Dedicated Configuration Pins Unaffected During Suspend Mode

The following dedicated configuration pins are unaffected when the FPGA is in Suspend mode:

- JTAG pins TDI, TMS, TCK, and TDO
- DONE pin
- PROG\_B pin

## SUSPEND Pin

When the Suspend feature is enabled (see [“Enable the Suspend Feature,” page 494](#)), the SUSPEND pin controls when the FPGA enters Suspend mode. During normal FPGA operation, the SUSPEND pin must be Low. When High, the SUSPEND pin forces the FPGA into the low-power Suspend mode. [Table 19-6](#) describes the functionality of the SUSPEND pin.

If the Suspend feature is not enabled for an application (the application never enters low-power mode), then connect the SUSPEND pin to GND.

**Table 19-6: SUSPEND Pin Functionality**

| en_suspend Setting                       | SUSPEND Pin | Function                                                                                                                                                                                |
|------------------------------------------|-------------|-----------------------------------------------------------------------------------------------------------------------------------------------------------------------------------------|
| no<br>(default)<br>Suspend mode disabled | X           | The suspend feature is disabled. The SUSPEND pin is unused and ignored. Connect the SUSPEND pin to GND.                                                                                 |
| yes<br>Suspend mode enabled              | 0           | The FPGA performs the application described in the bitstream loaded into the FPGA during configuration. When the SUSPEND pin changes from High to Low, wake the FPGA from Suspend mode. |
|                                          | 1           | Force the FPGA to enter power-saving Suspend mode.                                                                                                                                      |

## Characteristics

The SUSPEND pin is an LVCMOS/LVTTL receiver, and power to the input buffer is supplied by the  $V_{CCAUX}$  power rail. The SUSPEND pin has no pull-up resistors during configuration, and the PUDC\_B control has no affect on the SUSPEND pin.

## SUSPEND Input Glitch Filter

The SUSPEND pin has a programmable glitch filter to guard against short pulses, which could cause the FPGA to spuriously enter Suspend mode. Turning off the filter allows the FPGA to enter or exit SUSPEND mode more quickly, but the application must guard against spurious pulses.

### Via User Constraints File (UCF)

The SUSPEND filter is set as part of the ENABLE\_SUSPEND constraint, as described in [“Via User Constraints File \(UCF\),” page 494](#).

### Bitstream Generator (BitGen) Option

The filter can also be enabled via a bitstream generator option:

```
bitgen -g suspend_filter:Yes
```

### Effect on FPGA Configuration

Suspend mode is activated by an FPGA configuration bitstream option. Consequently, the SUSPEND pin has no effect on configuration.

If Suspend mode is enabled in the bitstream and the SUSPEND pin is High, the FPGA successfully configures and then immediately enters Suspend mode. The FPGA's DONE pin will be High, but the AWAKE pin will be Low.

### Tie SUSPEND to GND if not Using Suspend Mode

If not using Suspend mode, connect the SUSPEND pin to GND. Do not leave the pin floating.



## AWAKE Pin

The AWAKE pin optionally provides status on the Suspend power-savings mode.

### General Behavior (Suspend Feature Disabled)

Unless the Suspend feature is enabled, the AWAKE pin is a general-purpose user-I/O pin.

### AWAKE Pin Behavior when Suspend Feature Enabled

If the Suspend feature is enabled, then the AWAKE pin indicates the present state of the FPGA, as summarized in Table 19-7. The AWAKE pin cannot be used by the FPGA application as a general-purpose I/O pin.

Table 19-7: AWAKE Pin Status

| AWAKE Pin | Indication                                           |
|-----------|------------------------------------------------------|
| 0         | The FPGA is presently in the low-power Suspend mode. |
| 1         | The FPGA is active.                                  |

The AWAKE pin can further be configured as an open-drain output (the default) or a full-swing output driver, as shown in Figure 19-8. This behavior is controlled by a bitstream generator (BitGen) option:

```
bitgen -g drive_aware:no
```

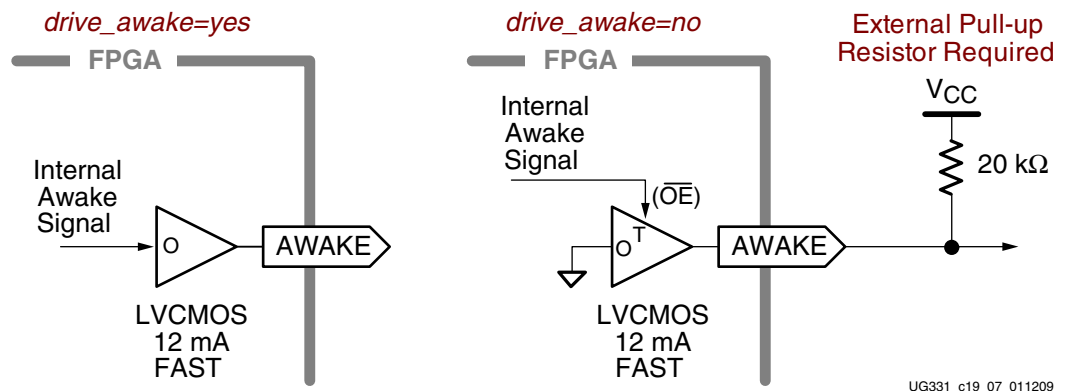


Figure 19-8: AWAKE Output Drive Options if Suspend Mode Enabled

The AWAKE output pin is supplied by the  $V_{CC0}$  power rail on bank 2 when Suspend mode is enabled.

When *drive\_aware:yes*, the AWAKE pin is an active output driver, equivalent to a user I/O configured as LVCMOS, with 12 mA output drive and a Fast slew rate.

### Controlling Wake-Up from an External Source

By default *drive\_aware:no*. When *drive\_aware:no*, the AWAKE pin is an open-drain output capable of sinking 12 mA. In this case, an external pull-up resistor is required to exit Suspend mode. The resistor value should be high to minimize the amount of current flow during Suspend mode. The resistor needs to be strong enough to overcome the I/O pin leakage. A large resistor value also equates to a longer AWAKE rise time. The FPGA does not exit Suspend mode until AWAKE goes High.

Holding the AWAKE pin Low delays the transition from Suspend mode to Active mode and allows an external controller to decide when to awaken the FPGA.

## JTAG Operations Allowed During Suspend Mode

Table 19-8 shows the JTAG operations permitted when the FPGA is in Suspend mode. Executing these JTAG operations increases the FPGA's power consumption while in Suspend mode.

Table 19-8: JTAG Operations Allowed during Suspend Mode

| Boundary Scan Command | Description                                                                                                                                                                                |
|-----------------------|--------------------------------------------------------------------------------------------------------------------------------------------------------------------------------------------|
| IDCODE                | Read the JTAG ID code that describes the Spartan-3A/3AN/3A DSP FPGA array type in the JTAG chain. This value is different from the Device DNA identifier, which is unique to every device. |
| BYPASS                | Enables BYPASS.                                                                                                                                                                            |
| USERCODE              | Read the user-defined code embedded in the FPGA bitstream.                                                                                                                                 |

Do not use any other JTAG instructions when in Suspend mode or while transitioning into and out of Suspend Mode. Furthermore, do not enter Suspend mode when performing a Readback operation.

## Post-Configuration CRC Limitations When Using Suspend Mode

If an application uses the post-configuration CRC feature and an error occurs, do not enter Suspend mode. The FPGA will not wake from Suspend mode without reprogramming, such as asserting PROG\_B or power-cycling the FPGA.

Several design options are possible:

1. Do not use the post-configuration CRC feature when the Suspend mode feature is enabled and *vice versa*.
2. If the post-configuration CRC feature is enabled, externally gate the SUSPEND pin input with the INIT\_B pin. The post-configuration CRC feature signals an error by driving the INIT\_B pin Low. The external gate ensures that the SUSPEND pin cannot drive High when the INIT\_B pin is Low. Enable the [SUSPEND Input Glitch Filter](#) to avoid a possible race condition between the SUSPEND and INIT\_B pins.

For more information, see the “Configuration CRC” chapter in [UG332: Spartan-3 Generation Configuration User Guide](#).

## Suspend Mode Bitstream Generator Options

Table 19-9 summarizes the various bitstream options associated with Suspend mode.

Table 19-9: Suspend Mode Bitstream Generator Options

| Suspend Mode Bitstream Options | Options (default)       | Description                                                                                                                                                                                                                                                                                                                                                                      |
|--------------------------------|-------------------------|----------------------------------------------------------------------------------------------------------------------------------------------------------------------------------------------------------------------------------------------------------------------------------------------------------------------------------------------------------------------------------|
| en_suspend                     | <u>No</u>               | Suspend mode is not used in this application. Connect the SUSPEND pin to GND.                                                                                                                                                                                                                                                                                                    |
|                                | Yes                     | Enables the power-saving Suspend feature, controlled by the SUSPEND pin.                                                                                                                                                                                                                                                                                                         |
| drive_aware                    | <u>No</u>               | If Suspend mode is enabled, indicates the present status on AWAKE using an open-drain output. An external pull-up resistor or High signal is required to exit SUSPEND mode.                                                                                                                                                                                                      |
|                                | Yes                     | If Suspend mode is enabled, indicates the present status by actively driving the AWAKE output.                                                                                                                                                                                                                                                                                   |
| suspend_filter                 | <u>Yes</u>              | Enables the glitch filter on the SUSPEND pin.                                                                                                                                                                                                                                                                                                                                    |
|                                | No                      | Disables the glitch filter on the SUSPEND pin.                                                                                                                                                                                                                                                                                                                                   |
| en_sw_gsr                      | <u>No</u>               | The state of all clocked elements in the FPGA is preserved.                                                                                                                                                                                                                                                                                                                      |
|                                | Yes                     | Pulses the GSR signal during wake-up, setting or resetting all clocked elements, as originally specified in the FPGA application. The GSR pulse occurs before the AWAKE pin goes High and before the <i>sw_gwe_cycle</i> and <i>sw_gts_cycle</i> settings are active.                                                                                                            |
| sw_clk                         | <u>StartupClk</u>       | Uses the clock defined by the <i>StartupClk</i> bitstream generator setting to control the Suspend wake-up timing.                                                                                                                                                                                                                                                               |
|                                | InternalClk             | Uses the internally generated 50 MHz oscillator to control the Suspend wake-up timing.                                                                                                                                                                                                                                                                                           |
| sw_gwe_cycle                   | 1,... <u>5</u> ...,1024 | After the AWAKE pin is High, indicates the number of clock cycles as defined by the <i>sw_clk</i> setting, when the global write-protect lock is released for writable clocked elements (flip-flops, block RAM, etc.). The default value is five clock cycles after the AWAKE pin goes High. Generally, this value is equal to or greater than the <i>sw_gts_cycle</i> setting.  |
| sw_gts_cycle                   | 1,... <u>4</u> ...,1024 | After the AWAKE pin is High, indicates the number of clock cycles as defined by the <i>sw_clk</i> setting, when the I/O pins switch from their <a href="#">SUSPEND Constraint</a> settings back to their normal functions. The default value is four clock cycles after the AWAKE pin goes High. Generally, this value is equal to or less than the <i>sw_gwe_cycle</i> setting. |

## FPGA Voltage Requirements During Suspend Mode

During Suspend mode, the  $V_{CCINT}$  and  $V_{CCAUX}$  rails must remain powered at their specified data sheet levels.  $V_{CCO}$  for bank 2 should also be maintained since it powers the AWAKE pin. However, the  $V_{CCO}$  supply to the other three I/O banks can be potentially turned off to conserve additional power, depending on system requirements. Optionally,

$V_{CCO}$  can be reduced to 1.0V during SUSPEND mode, but this also affects the voltage levels for any output pin with a `SUSPEND=DRIVE_LAST_VALUE` constraint.

The FPGA's power-on reset (POR) circuit continues to monitor the  $V_{CCINT}$  and  $V_{CCAUX}$  supplies. The POR circuit does not monitor the  $V_{CCO}$  supplies after configuration. By default, if the  $V_{CCINT}$  or  $V_{CCAUX}$  supply dips below the minimum specified data sheet voltage limit, then the FPGA restarts configuration.

## Supply Requirements During Suspend Mode

When entering Suspend mode, the FPGA exhibits the following characteristics on the  $V_{CCINT}$  and  $V_{CCAUX}$  power rails:

- The current required on the  $V_{CCAUX}$  supply drops significantly as the internal FPGA circuits powered by  $V_{CCAUX}$  are internally switched over to the  $V_{CCINT}$  supply during Suspend mode.
- The current required on the  $V_{CCINT}$  supply increases slightly from its quiescent current level.

## Hibernate

Hibernate provides the maximum possible power savings for applications that can be turned off for long periods of time and that can afford to lose the present application state.

### Forcing FPGA to Quiescent Current Levels

Pulse `PROG_B` Low to achieve the quiescent current levels. Driving `PROG_B` Low forces all I/Os into a high-impedance state, ceases all internal switching, and converts the bitstream held in internal memory to all zeros. During and after the Low pulse on `PROG_B`, disable the internal pull-up resistors on all I/Os by driving the pull-up resistor control input High. The specific signal name varies by product family: `PUDC_B` for the Extended Spartan-3A family, `HSWAP` for the Spartan-3E family, or `HSWAP_EN` for Spartan-3 devices. Holding `PROG_B` Low continues clearing the configuration memory. To minimize quiescent current, release `PROG_B` High but hold off configuration by setting the Mode pins to a slave or JTAG configuration mode and disabling the external configuration clock (`CCLK` or `TCK`).

To restart the application, release `PROG_B` High and in slave or JTAG modes, enable the external configuration source. The FPGA must reconfigure before the application restarts. No state information is preserved.

If the application must retain the FPGA configuration bitstream, then there are a few options. If using Spartan-3A, Spartan-3AN, or Spartan-3A DSP FPGAs, use the [Extended Spartan-3A Family Suspend Mode](#). If using Spartan-3E or Spartan-3 FPGAs, do not assert `PROG_B`. If all other test conditions are met (for example, no internal switching, I/Os are off), quiescent current levels are close to or slightly above the data sheet quiescent levels. Ensure that internal pull-up and pull-down resistors on I/O pins are disabled.

### Entering Hibernate State

Hibernate starts with the approach described in [“Forcing FPGA to Quiescent Current Levels.”](#) Hibernate provides further power savings by switching off power rails. This state reduces quiescent power consumption to the lowest possible level. The FPGA enters Hibernate by switching off the  $V_{CCINT}$  (core) and  $V_{CCAUX}$  (auxiliary) power supplies.

Power is supplied to  $V_{CCO}$  lines throughout the hibernation period. Figure 19-9 shows how to put Spartan-3 generation FPGAs into Hibernate.

During the Hibernation period, the  $V_{CCINT}$  and  $V_{CCAUX}$  rails are turned off. Power FETs with low “on” resistance are recommended to perform the switching action. Configuration data is lost upon entering Hibernate; therefore, the device will reconfigure after exiting the state.

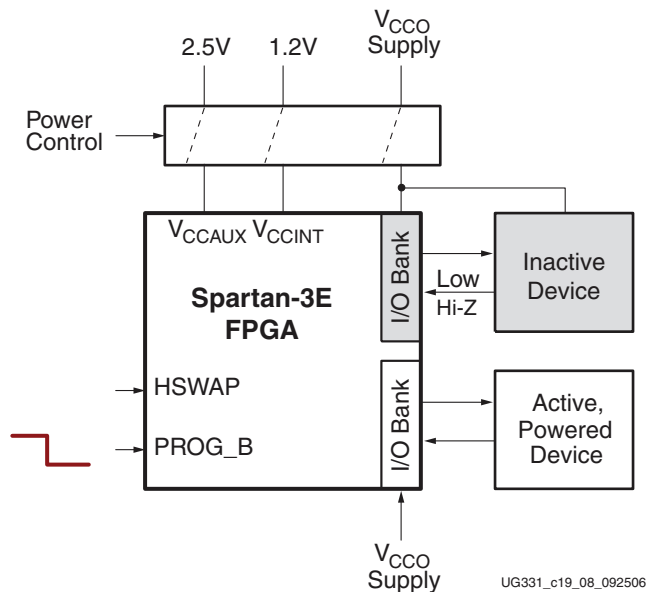


Figure 19-9: Spartan-3E Hibernate Example

Holding the PROG\_B input Low during the transition into Hibernation period keeps all FPGA output drivers in a high-impedance state. Release PROG\_B after re-applying power to the  $V_{CCINT}$  and  $V_{CCAUX}$  rails. See “Design Considerations,” page 507 for recommended levels on Dedicated and Dual-Purpose pins.

### Extended Spartan-3A Family FPGA: Turn Off $V_{CCO}$

Extended Spartan-3A family I/O pins have a floating-well structure, providing full hot-swap/hot-insertion capability. When an Extended Spartan-3A family FPGA is in the Hibernate state, the  $V_{CCO}$  supply can be safely turned off without adversely affecting either the FPGA or the external application.

### Spartan-3E and Spartan-3 FPGAs: Maintain $V_{CCO}$ on I/O Banks Connected to Powered External Devices

Each user I/O or input-only pin on Spartan-3E and Spartan-3 FPGAs has a power diode between the pin and the associated  $V_{CCO}$  rail. The power diodes are present on all signal-carrying pins all of the time. In general, it is safest to maintain  $V_{CCO}$  power for all banks throughout the Hibernation period to keep the power diodes inside the I/O block turned off when signals are applied to the pins. In Hibernate, the powered  $V_{CCO}$  rails account for little current because the I/Os are in a high-impedance state.

Under certain conditions, it is also possible to switch off the  $V_{CCO}$  rail to a particular bank. This action eliminates the  $V_{CCO}$  current for those banks (a few milliamperes). There are various ways to achieve this, as shown for the “Inactive Device” in Figure 19-9.

1. Turn off power to any external devices connected to a particular FPGA I/O bank. If both the FPGA I/O bank and the external device are unpowered, there is no current flow.
2. If the external device is powered but the FPGA I/O bank is not, then ensure that all signals driving into the FPGA are either high-impedance (Hi-Z) or that they are under 0.5V. Both cases ensure that there is no current flow through the FPGA's power diodes. Voltages higher than 0.5V can turn on the power diodes. Keep the diodes off to prevent "reverse current" from flowing into the  $V_{CCO}$  rail.

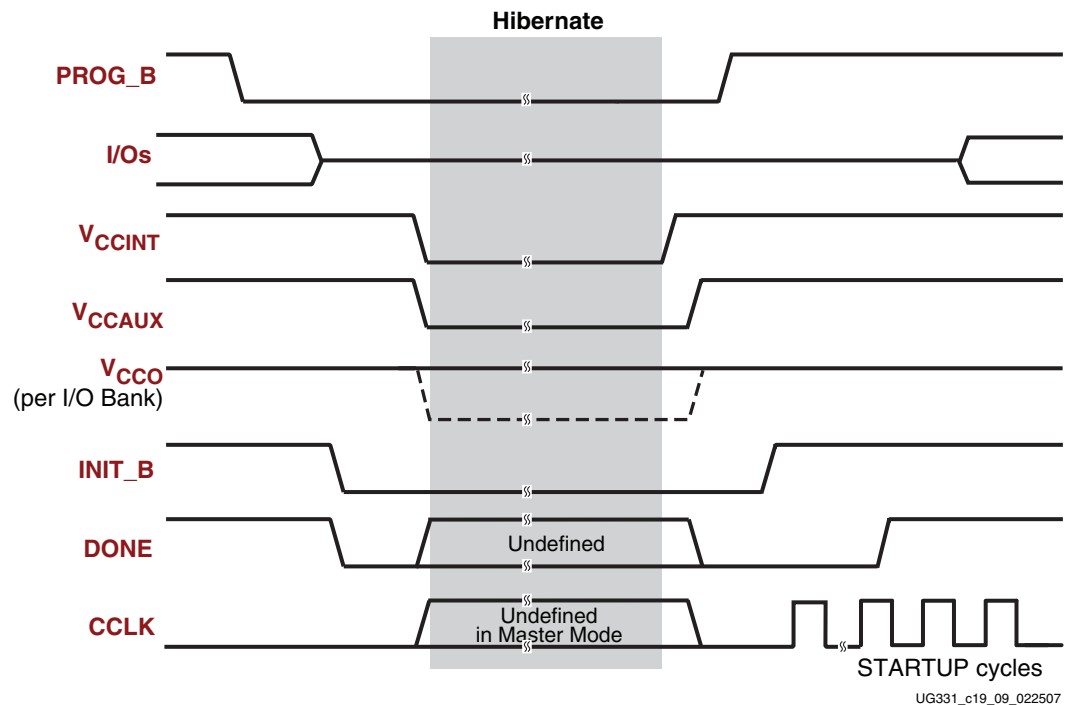


Figure 19-10: **Hibernate Waveform**

Figure 19-10 shows the waveforms for entering and exiting Hibernate. The steps for entering Hibernate are as follows:

1. Pull the PROG\_B pin Low to force all user-I/O pins and Input-only pins into a high-impedance state.
2. The FPGA drives the INIT\_B and DONE pins Low.
3. External switches turn off the  $V_{CCINT}$  and  $V_{CCAUX}$  supply rails to the FPGA. Depending on the FPGA product family and the application, it might also be possible to turn off power to the  $V_{CCO}$  supply rail.
  - ◆ See “[Extended Spartan-3A Family FPGA: Turn Off  \$V\_{CCO}\$](#) ,” page 505
  - ◆ See “[Spartan-3E and Spartan-3 FPGAs: Maintain  \$V\_{CCO}\$  on I/O Banks Connected to Powered External Devices](#),” page 505
4. The FPGA is now in Hibernate. While the FPGA is kept in this state, power consumption rests at the lowest possible level.

## Exiting Hibernate

The steps for exiting Hibernate are as follows.

1. Reapply power to all rails that were switched off. Apply power in any sequence.
2. Before FPGA initialization can begin, deassert PROG\_B to a High logic level. The rising transition on PROG\_B *must* occur *after* turning all three power supplies back on.
3. After logic initialization, the FPGA releases the open-drain INIT\_B signal. With INIT\_B High, the FPGA starts its configuration process.
4. When configuration is complete, the FPGA enters the Startup phase, asserts DONE, and enables the I/Os, according to how the BitGen options are set.
5. The FPGA is now ready for user operation.

## Design Considerations

Be aware of how various pins are powered in the application. Most user-I/O pins, including the Dual-Purpose configuration pins, are powered by a specific  $V_{CCO}$  supply input. The Dedicated configuration pins are powered by the  $V_{CCAUX}$  supply. If disconnecting power to any of these supplies, consider how that will affect FPGA configuration when power is re-applied.

For specific information on configuration pins and their associated power rails, refer to the “Configuration Pins and Behavior during Configuration” chapter in [UG332: Spartan-3 Generation Configuration User Guide](#).

If disconnecting power to  $V_{CCO}$  or  $V_{CCAUX}$  supplies on Spartan-3 or Spartan-3E FPGAs during Hibernate, do not apply voltages on the pins in excess of 0.5 V to ensure that the power diodes are kept off. This restriction does not apply to Extended Spartan-3A family FPGAs, which have a floating N-well structure for improved hot-swap performance. For more information, see [XAPP459: Eliminating I/O Coupling Effects when Interfacing Large-Swing Single-Ended Signals to User I/O Pins on Spartan-3 Generation FPGAs](#).





## Using IBIS Models

---

### Summary

Input/Output Buffer Information Specification (IBIS) models are industry-standard descriptions used to simulate I/O characteristics in board-level design simulation. IBIS models for Spartan®-3 generation devices are available at <http://www.xilinx.com/support/download/index.htm>. Each family has its own IBIS models because there are differences in I/O standards and device characteristics. The models can be used with third-party simulation tools to verify proper signal integrity characteristics in board designs.

### Introduction

As I/O switching frequencies have increased and voltage levels have decreased, accurate analog simulation of I/Os has become an essential part of modern high-speed digital system design. By accurately simulating the I/O buffers, termination, and circuit board traces, designers can significantly shorten their time-to-market of new designs. Identifying signal integrity related issues at the beginning of the design cycle decreases the required number of board fixes and increases quality.

The device data sheets provide basic information about guaranteed DC and switching characteristics of the I/Os. However, the data sheet does not include all the information required to determine the best board implementation for a particular application, such as slew rates and drive strength, which are included in the IBIS model. Designers can use IBIS models for system-level analysis of signal integrity issues, such as ringing, crosstalk, and RFI/EMI. Complete designs can be simulated and evaluated before going through the expensive and time consuming process of producing prototype PCBs. This type of pre-layout simulation can reduce considerably the development cost and time to market, while increasing the reliability of the I/O operation.

### IBIS Advantages over SPICE

Traditionally SPICE analysis has been used extensively in areas like IC design, where a high level of accuracy is required. However in the PCB and systems domain, there are several disadvantages to the SPICE method, both for the device vendor and the user.

Since SPICE simulations model a circuit at transistor level, it is necessary for the SPICE models to contain detailed information about the circuit and process parameters. For most IC vendors, this type of information is regarded as proprietary.

Although SPICE simulation accuracy is typically very good, a significant limitation with any simulation method is simulation speed. Simulation speeds are particularly slow for transient simulation analysis, which is most often used when evaluating signal integrity

performance. SPICE simulation has a further disadvantage in that not all SPICE simulators are fully compatible. Often, default simulator options are not the same in different SPICE simulators. As there are some very powerful options that control accuracy, convergence and the algorithm type, any options that are not consistent might give rise to poor correlation in simulation results across different simulators. Also, because of the different variants of SPICE, these models are often incompatible between simulators, thus models must be extracted for a specific simulator.

## IBIS Background

IBIS, originally developed by Intel, is an alternative to SPICE simulation. The IBIS specification now is maintained by the EIA/IBIS Open Forum, which has members from a large number of IC and EDA vendors. IBIS is the ANSI/EIA-656 and IEC 62014-1 standard. For more information about the IBIS specification, see <http://www.eigroup.org/ibis/ibis.htm>.

The core of the IBIS model consists of a table of current versus voltage and timing information. This is very attractive to the IC vendor as the I/O internal circuit is treated as a black box. This way, transistor-level information about the circuit and process details is not revealed.

IBIS models can be used to model best-case and worst-case conditions (best-case = strong transistors, low temperature, high voltage; worst-case = weak transistors, high temperature, low voltage). The "fast/strong" model represents best-case conditions, while the "slow/weak" model represents worst-case conditions. The "typical" model represents typical behavior.

IBIS cannot be used for internal timing information (propagation delays and skew); the timing models instead provide that information. IBIS also does not model power and ground structures or pin-to-pin coupling. The implications are that ground bounce, power supply droop, and simultaneous switching output (SSO) noise cannot be simulated with IBIS models. Instead, Xilinx provides device/package-dependent SSO guidelines once extensive lab measurements are completed. IBIS models also do not provide detailed package parasitic information. Package parasitics usually are provided in the form of lumped RLC data, which loses its accuracy at higher speeds. To model the package parasitics accurately, include a transmission line with a delay of 25 ps to 100 ps and an impedance of 65 $\Omega$ .

Using IBIS models has a great advantage to the user in that simulation speed is significantly increased over SPICE, while accuracy is only slightly decreased. Non-convergence, which can be a problem with SPICE models and simulators, is eliminated in IBIS simulation. Virtually all EDA vendors presently support IBIS models, and ease of use of these IBIS simulators is generally very good. IBIS models for most devices are freely available over the Internet making it easy to simulate several different manufacturers' devices on the same board. Several different IBIS simulators are available today, and each simulator provides different results. An overshoot or undershoot of  $\pm 10\%$  of the measured result is tolerable. Differences between the model and measurements occur because not all parameters are modeled. Simulators for IBIS models are provided by Cadence, Hyperlynx, Mentor, and Intusoft.

## Xilinx Support of IBIS

Xilinx provides IBIS models for all current products; they are downloaded easily from our website at <http://www.xilinx.com/support/download/index.htm>. The models also are made available in the development system. The Preliminary models are based initially on simulation and then verified against the silicon.

An IBIS file contains two sections, the header and the model data for each component. One IBIS file can describe several devices. The following is the content list in a typical IBIS file:

- IBIS Version
- File Name
- File Revision
- Component
- Package R/L/C
- Pin name, model, R/L/C
- Model (for example, 3-state)
- Temperature Range (typical, minimum, and maximum)
- Voltage Range (typical, minimum, and maximum)
- Pull-Up Reference
- Pull-Down Reference
- Power Clamp Reference
- Ground Clamp Reference
- I/V Tables for:
  - ◆ Pull-Up
  - ◆ Pull-Down
  - ◆ Power Clamp
  - ◆ Ground Clamp
- Rise and Fall  $dV/dt$  for minimum, typical, and maximum conditions (driving  $50\Omega$ )

Spartan-3AN IBIS models are identical to those for the Spartan-3A FPGA platform.

## IBIS I/V and $dV/dt$ Curves

A digital buffer can be measured in receive (3-state) mode and drive mode. IBIS I/V curves are based on the data of both these modes. The transition between modes is achieved by phasing in/out the difference between the driver and the receiver models, while keeping the receiver model constantly in the circuit.

The I/V curve range required by the IBIS specification is  $-V_{CC}$  to  $(2x V_{CC})$ . This wide voltage range exists because the theoretical maximum overshoot due to a full reflection is twice the signal swing. The ground clamp I/V curve must be specified over the range  $-V_{CC}$  to  $V_{CC}$ , and the power clamp I/V curve must be specified from  $V_{CC}$  to  $(2x V_{CC})$ .

The three supported conditions for the IBIS buffer models are typical values (required), minimum values (optional), and maximum values (optional). For CMOS buffers, the minimum condition is defined as high temperature and low supply voltage, and the maximum condition is defined as low temperature and high supply voltage.

An IBIS model of a digital buffer has four I/V curves:

- The pull-down I/V curve contains the mode data for the driver driving low. The origin of the curve is at 0V for CMOS buffers.
- The pull-up I/V curve contains the mode data for the driver driving high. The origin of the curve is at the supply voltage ( $V_{CC}$ ).
- The ground clamp I/V curve contains receive (3-state) mode data. The origin of the curve is at 0V for CMOS buffers.
- The power clamp I/V curve contains receive (3-state) mode data. The origin of the curve is at the supply voltage ( $V_{CC}$ ).

## Ramp and dV/dt Curves

The Ramp keyword contains information on how fast the pull-up and pull-down transistors turn on/off. The dV/dt curves give the same information, while including the effects of die capacitance ( $C_{comp}$ ).  $C_{comp}$  is the total die capacitance as seen at the die pad, excluding the package capacitance.

dV/dt curves describe the transient characteristics of a buffer more accurately than ramps. A minimum of four dV/dt curves are required to describe a CMOS buffer: pull-down ON, pull-up OFF, pull-down OFF, and pull-up ON. dV/dt curves incorporate the clock-to-out delay, and the length of the dV/dt curve corresponds to the clock speed at which the buffer is used. Each dV/dt curve has  $t = 0$ , where the pulse crosses the input threshold.

## IBISWriter

A Xilinx IBIS file downloaded from the Web contains a collection of IBIS models for all I/O standards available in the targeted device. The ISE® tool can generate IBIS models specific to your design via the IBISWriter tool, simplifying design export into signal integrity analysis tools. IBISWriter associates IBIS buffer models to each pin of the customer design according to the design specification for each I/O buffer. IBISWriter outputs an IBS file that can be used directly as an input file to your signal integrity analysis tool.

Generating design-specific IBIS files requires only three easy steps:

1. Implement your design in Project Navigator.
2. In the Processes window, under Implement Design/Place & Route, select Generate IBIS Model and click Run. A design-specific file is generated where all input/output pins are associated with an IBIS model.
3. Incorporate this file onto your favorite signal integrity analysis tool to perform the desired simulations.

## References

IBIS files are available at the Xilinx Download Center:  
<http://www.xilinx.com/support/download/index.htm>

# Using Boundary-Scan and BSDL Files

---

## Summary

Boundary Scan Description Language (BSDL) files are provided for every part and package combination of IEEE 1149.1 (JTAG) compatible devices produced by Xilinx, including all the Spartan®-3 generation FPGAs. Third-party Boundary-Scan tools use these files to generate test vectors and perform the tests. Xilinx programming software also uses BSDL files when configuring devices through Boundary-Scan.

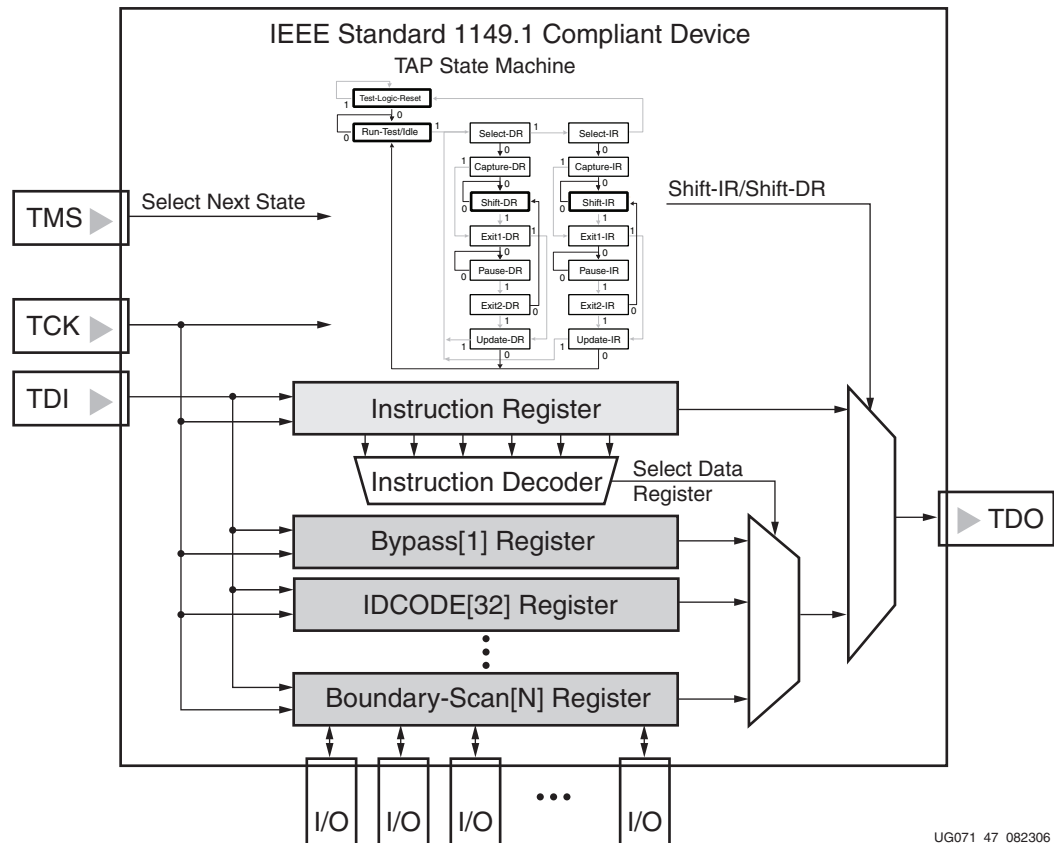
This chapter applies to all Spartan-3 generation FPGA families: Spartan-3, Spartan-3E, Spartan-3A, Spartan-3AN, and Spartan-3A DSP platforms.

## Boundary-Scan Overview

Boundary-Scan testing is used to identify faulty board-level connections, such as unconnected or shorted pins. Boundary-Scan tests allow designers to quickly identify manufacturing or layout problems, which otherwise could be nearly impossible to isolate, especially with high-count ball-grid packages. More recently, PLD vendors such as Xilinx have made use of Boundary Scan as a convenient way of configuring devices, including the Spartan-3 generation FPGA families. For details on configuration through Boundary-Scan, see [UG332](#), *Spartan-3 Generation Configuration User Guide*.

## IEEE Standards

Joint Test Action Group (JTAG) is the commonly used name for IEEE standard 1149.1, which defines a method for Boundary-Scan. JTAG compliant devices have dedicated hardware that comprises a state machine and several registers to allow Boundary-Scan operations. This dedicated hardware interprets instructions and data provided by four dedicated signals: TDI (Test Data In), TDO (Test Data Out), TMS (Test Mode Select), and TCK (Test Clock). The JTAG hardware interprets instructions and data on the TDI and TMS signals, and drives data out on the TDO signal. The TCK signal is used to clock the process (see [Figure 21-1](#)).



UG071\_47\_082306

Figure 21-1: Typical JTAG Architecture

In the Spartan-3 generation FPGAs, the four JTAG signals TDI, TDO, TMS, and TCK are on dedicated pins powered by  $V_{CCAUX}$ . Each can be configured with a pullup (default), pulldown, or neither, through bitstream options. IEEE 1532 is a superset of the IEEE 1149.1 JTAG standard. IEEE 1532 provides additional flexibility for configuring programmable logic devices. IEEE Std 1532 enables designers to concurrently program multiple devices, minimize programming times with enhanced silicon features, and produce robust systems that are more easily maintained. This standard defines the three additional items required to configure in-system programmable logic devices:

- Device architectural components for configuration
- Algorithm description framework
- Configuration data file

General information on the IEEE 1532 JTAG standard is available at:

[http://www.xilinx.com/products/design\\_resources/config\\_sol/isp\\_standards\\_specs.htm](http://www.xilinx.com/products/design_resources/config_sol/isp_standards_specs.htm)

## Boundary-Scan Functions

Spartan-3 generation devices support the mandatory IEEE 1149.1 commands, as well as several Xilinx vendor-specific commands. The EXTEST, INTEST, SAMPLE/PRELOAD, BYPASS, IDCODE, USERCODE, and HIGHZ instructions are all included. The TAP also supports internal user-defined registers (USER1, USER2) and configuration/readback of the device.

The Spartan-3 generation Boundary-Scan operations are independent of mode selection. The Boundary-Scan mode in Spartan-3 generation devices overrides other mode selections. For this reason, Boundary-Scan instructions using the Boundary-Scan register (SAMPLE/PRELOAD, INTEST, and EXTEST) must not be performed during configuration. All instructions except the user-defined instructions are available before a device is configured. After configuration, all instructions are available.

Each Spartan-3 generation FPGA array type has a 32-bit device-specific device identifier readable through the Boundary-Scan logic. The Boundary-Scan interface also provides the option to store a 32-bit User ID, loaded during configuration and specified via the UserID configuration bitstream option.

For details on the standard Boundary-Scan instructions EXTEST, INTEST, and BYPASS, refer to the IEEE Standard.

## Boundary-Scan Tools

Boundary-Scan testing requires specialized test equipment and software. The Boundary-Scan test software is used to generate test vectors, which are typically delivered to the Boundary-Scan chain using a test pod connected to a PC.

To develop vectors for Boundary-Scan testing, the test software must be provided with information about the scan chain:

1. The composition of the scan chain - how many devices, what type, and so forth.  
The chain composition can be either specified by the user or automatically detected by the Boundary-Scan software.
2. The Boundary-Scan architecture of each device - the Instruction Register length, opcodes, number of I/Os, and how each of those I/Os behaves.  
The Boundary-Scan architecture of each device is defined in a Boundary Scan Description Language (BSDL) file.
3. How the device I/Os are connected to each other.  
This information typically is extracted from a board-level netlist.

## BSDL Files

Any manufacturer of a JTAG-compliant device must provide a BSDL file for that device. The BSDL file contains information on the function of each of the pins on the device - which are used as I/Os, which are power or ground, and so forth. All Xilinx BSDL files have file extensions of .bsd.

BSDL files for Xilinx devices are available in the development system and on the Xilinx website at <http://www.xilinx.com/support/download/index.htm>. BSDL files for other manufacturers typically can be found on the manufacturer's website.

Files for the IEEE 1532 extension to the BSDL files are also available for Xilinx products. They are included with the other BSDL files.

IEEE 1149.1 BSDL files appear as: <device\_name>.bsd

For example: xc3s50.bsd

These BSDL files are the only ones needed for programming. For JTAG testing, the package-specific files are used.

For example: xc3s50\_pq208.bsd

IEEE 1532 BSDL files appear as: <device\_name>\_1532.bsd

For example: xc3s50\_pq208\_1532.bsd

IEEE Std 1532 BSDL files should not be used in place of or alongside 1149.1 BSDL files.

## BSDL File Composition

BSDL files describe the Boundary-Scan architecture of a JTAG-compliant device, and are written in VHDL. There are eight main parts of a BSDL file:

### 1. Entity Declaration

The entity declaration is a VHDL construct used to identify the name of the device that is described by the BSDL file.

Example (from the xc3s50\_pq208.bsd file):

```
entity XC3S50_PQ208 is
```

### 2. Generic Parameter

The Generic parameter specifies which package the BSDL file describes.

Example (from the xc3s50\_pq208.bsd file):

```
generic (PHYSICAL_PIN_MAP : string := "PQ208");
```

### 3. Logical Port Description

The Logical Port Description lists all of the pads on a device, and states whether that pin is an input (in bit;), output (out bit;), bidirectional (inout bit;) or unavailable for Boundary Scan (linkage bit;).

Example (from the xc3s50\_pq208.bsd file):

```
port (
 GND: linkage bit_vector (1 to 28);
 CCLK_P104: inout bit;
 DONE_P103: inout bit;
 HSWAP_EN_P206: in bit;
 M0_P55: in bit;
 M1_P54: in bit;
 M2_P56: in bit;
 PROG_B: in bit;
 TCK: in bit;
 TDI: in bit;
 TDO: out bit;
 TMS: in bit;
 VCCAUX: linkage bit_vector (1 to 8);
 VCCINT: linkage bit_vector (1 to 4);
 VCCO0: linkage bit_vector (1 to 2);
 IO_P2: inout bit; -- PAD124
 IO_P3: inout bit; -- PAD123
```

### 4. Package Pin Mapping

The Package Pin Mapping shows how the pads on the device die are wired to the pins on the device package.

Example (from the xc3s50\_pq208.bsd file):

```
constant PQ208: PIN_MAP_STRING:=
 "GND: (P1, P8, P14, P25, P30, P41, P47, P53, P59, P66, " &
 "P75, P82, P91, P99, P105, P112, P118, P129, P134, P145, " &
 "P151, P157, P163, P170, P179, P186, P195, P202), " &
```



```

"CCLK_P104:P104," &
"DONE_P103:P103," &
"HSWAP_EN_P206:P206," &
"M0_P55:P55," &
"M1_P54:P54," &
"M2_P56:P56," &
"PROG_B:P207," &
"TCK:P159," &
"TDI:P208," &
"TDO:P158," &
"TMS:P160," &
"VCCAUX:(P17,P38,P69,P89,P121,P142,P173,P193)," &
"VCCINT:(P70,P88,P174,P192)," &
"VCCO0:(P188,P201)," &
"IO_P2:P2," &
"IO_P3:P3," &

```

#### 5. use statements

The use statement calls VHDL packages that contain attributes, types, constants, and others that are referenced in the BSDL File.

Example (from the xc3s50\_pq208.bsd file):

```
use STD_1149_1_1994.all;
```

#### 6. Scan Port Identification

The Scan Port Identification identifies the JTAG pins: TDI, TDO, TMS, TCK, and TRST (if used). TRST is an optional JTAG pin that is not used by Xilinx devices.

Example (from the xc3s50\_pq208.bsd file):

```

attribute TAP_SCAN_IN of TDI : signal is true;
attribute TAP_SCAN_MODE of TMS : signal is true;
attribute TAP_SCAN_OUT of TDO : signal is true;
attribute TAP_SCAN_CLOCK of TCK : signal is (33.0e6, BOTH);

```

#### 7. TAP description

The TAP description provides additional information on the device's JTAG logic. Some of this information includes the Instruction Register length, Instruction Opcodes, and device IDCODE. These characteristics are device specific, and can vary widely from device to device.

Examples (from the xc3s50\_pq208.bsd file):

```

attribute COMPLIANCE_PATTERNS of XC3S50_PQ208 : entity is
 "(PROG_B) (1)";
attribute INSTRUCTION_LENGTH of XC3S50_PQ208 : entity is 6;
attribute INSTRUCTION_OPCODE of XC3S50_PQ208 : entity is
 "EXTEST (000000)," &
attribute INSTRUCTION_CAPTURE of XC3S50_PQ208 : entity is
 "XXXX01";
attribute IDCODE_REGISTER of XC3S50_PQ208 : entity is
 "XXXX" & -- version
 "0001010" & -- family
 "000001101" & -- array size
 "00001001001" & -- manufacturer
 "1"; -- required by 1149.1

```

#### 8. Boundary Register description

The Boundary Register description gives the structure of the Boundary-Scan cells on the device. Each pin on a device can have up to three Boundary-Scan cells, each cell

consisting of a register and a latch. Boundary-Scan test vectors are loaded into or scanned from these registers.

Example (from the `xc3s50_pq208.bsd` file):

```
attribute BOUNDARY_REGISTER of XC3S50_PQ208 : entity is
" 0 (BC_2, *, controlr, 1)," &
" 1 (BC_2, IO_P161, output3, X, 0, 1, PULL0)," & -- PAD30
" 2 (BC_2, IO_P161, input, X)," & -- PAD30
```

## BSDL File Verification

Xilinx verification of the supplied BSDL files has two levels. Preliminary files are generated using an automated, Xilinx-standard, BSDL generation process. The process is script-based and extracts information directly from the device design files, which fully describe the architecture and pinout. The quality of "Preliminary" BSDL files is very high, and the syntax is always tested. Files marked "Final" have undergone all the tests for syntax and hardware verification. To guarantee that the BSDL files exactly describe the operation of each pin, Xilinx uses an independent third-party Boundary-Scan tool vendor — Intellitech — to verify the actual silicon against the BSDL.

Xilinx BSDL files are checked for 1149.1 compliance with the Intellitech Eclipse product using 'strict' BSDL syntax checking. Every semantic check described in the IEEE 1149.1b-1994 (the standard for BSDL syntax) is performed using strict parsing. Test patterns then are generated from the BSDL file that include unique tests for every I/O pin. Each Xilinx device/package combination is tested on the Intellitech Reduced Contact Tester (RCT). The test patterns include verification of Test-Logic-Reset and TAP controller operation, BYPASS/IDCODE/USERCODE instructions and registers, and pin mapping of the boundary register to every input/output/bidirectional/clock pin and control cell. Finally, each device is tested for 1149.1 compliance after the device is programmed by downloading a design and using the RCT tester to verify post configuration compliance.

For more information on BSDL files and their verification, see

<http://www.xilinx.com/isp/bsdl/bsdl.htm>.

## Using BSDLAnno for Post-Configuration Boundary-Scan Behavior

Whenever possible, Boundary-Scan tests should be performed on an unconfigured Spartan-3 generation device. Unconfigured devices allow for better test coverage, since all I/Os are available for bidirectional scan vectors. Boundary-Scan tests should be performed after configuration when configuration cannot be prevented and when differential signaling standards are used. If the differential signals are located between Xilinx devices, both devices can be tested pre-configuration. Each side of the differential pair will behave as a single-ended signal.

The BSDL files provided by Xilinx reflect the Boundary-Scan behavior of an unconfigured device. After configuration, the Boundary-Scan behavior of a device changes. I/O pins that were bidirectional before configuration might now be input-only, output-only, bidirectional, or unavailable. Boundary-Scan test vectors typically are derived from BSDL files, so if Boundary-Scan tests are going to be performed on a configured Xilinx device, the BSDL file must be modified to reflect the device's configured Boundary-Scan behavior.

The Boundary-Scan architecture changes after the device is configured because the Boundary-Scan registers sit behind the I/O buffer and sense amplifier. The hardware is arranged in this way so that the Boundary-Scan logic operates at the I/O standard specified by the design. This allows Boundary-Scan testing across the entire range of available I/O standards.

Because certain connections between the Boundary-Scan registers and pad might change, the Boundary-Scan architecture is effectively changed when the device is configured. These changes often need to be communicated to the Boundary-Scan tester through a post-configuration BSDL file. If the changes to the Boundary-Scan architecture are not reflected in the BSDL file, Boundary-Scan tests might fail.

Xilinx offers the BSDLAnno utility to automatically modify the BSDL file for post-configuration testing. BSDLAnno obtains the necessary design information from the routed .ncd file and generates a BSDL file that reflects the post-configuration Boundary-Scan architecture of the device.

Use the following syntax to generate a post-configuration BSDL file with BSDLAnno:

```
bsdlanno [options] infile[.ncd] outfile[.bsd]
```

The `infile` is the routed (post-PAR) NCD design source file for the specified design. The `outfile[.bsd]` is the destination for the design-specific BSDL file. The `.bsd` extension is optional. For more details on BSDLAnno including suggested user modifications to the output file, see the Development System Reference Guide at [http://www.xilinx.com/support/software\\_manuels.htm](http://www.xilinx.com/support/software_manuels.htm).

## Software Support

Xilinx offers several tools for generating device files and for device programming. Boundary-Scan test functionality is available from several third-party vendors, as noted at [http://www.xilinx.com/products/design\\_resources/config\\_sol/resource/isp\\_atc.htm](http://www.xilinx.com/products/design_resources/config_sol/resource/isp_atc.htm).

### iMPACT

iMPACT is a full featured software tool used for configuration and programming of all Xilinx FPGAs, CPLDs, and PROMs. It features a series of "wizard" dialogs that easily guide the user through the every step of the configuration process. iMPACT supports a host of output file types including SVF. iMPACT configuration software enables users to easily configure Xilinx FPGAs using different modes: slave serial, SPI, SelectMAP (Slave Parallel), and JTAG IEEE 1149.1. iMPACT supports the Parallel Cable IV and Platform Cable USB.

iMPACT features a special function in the JTAG mode to test both the operation of the cable and the robustness of the JTAG chain. The user can test chain operation by instructing iMPACT to write to and read back from the user code location multiple thousands of times. It then counts the number of errors that occur in this operation. This gives the user the opportunity to evaluate the relative robustness of the JTAG chain and the susceptibility to noise and other influences like board layout.

For more information on iMPACT see the iMPACT help at [http://www.xilinx.com/support/software\\_manuels.htm](http://www.xilinx.com/support/software_manuels.htm).

### SVF Files

Serial Vector Format (SVF) is an industry-standard file format that is used to describe JTAG chain operations in a compact, portable fashion. SVF files capture all of the device specific programming information within the SVF instructions. SVF files are useful because intricate knowledge of the device is not needed. The capability to create SVF files is included in the iMPACT tool. For more information on SVF files see XAPP503 at [http://www.xilinx.com/support/documentation/application\\_notes/xapp503.pdf](http://www.xilinx.com/support/documentation/application_notes/xapp503.pdf).

## J Drive Engine for IEEE 1532 Programming

Xilinx has developed and introduced the world's first IEEE Std 1532 Programming Engine: J Drive Engine. Using this engine and a simple cable connected to the parallel port of any PC, users can easily configure Xilinx IEEE Std 1532 compatible PLDs. The designer provides J Drive Engine with the data and 1532 BSDL files for the device(s) to be programmed using a command line interface to configure the PLDs in the JTAG chain. For more information, see [http://www.xilinx.com/products/design\\_resources/config\\_sol/](http://www.xilinx.com/products/design_resources/config_sol/) and XAPP500 at [http://www.xilinx.com/support/documentation/application\\_notes/xapp500.pdf](http://www.xilinx.com/support/documentation/application_notes/xapp500.pdf).

## Using the BSCAN\_SPARTAN3A Macro

BSCAN\_SPARTAN3A provides access to the BSCAN sites on a Spartan-3A, Spartan-3AN, or Spartan-3A DSP platform device (see [Figure 21-2](#)). The BSCAN\_SPARTAN3 macro provides similar functionality for the Spartan-3 and Spartan-3E families, but does not include the TCK and TMS pins. The component is primarily used to create internal Boundary-Scan chains. The four-pin JTAG interface (TDI, TDO, TCK, and TMS) contains dedicated pins in Spartan-3 generation FPGAs. To use normal JTAG for Boundary-Scan purposes, just hook up the JTAG pins to the port and go. The pins on the BSCAN\_SPARTAN3A symbol do not need to be connected unless those special functions are needed to drive an internal scan chain.

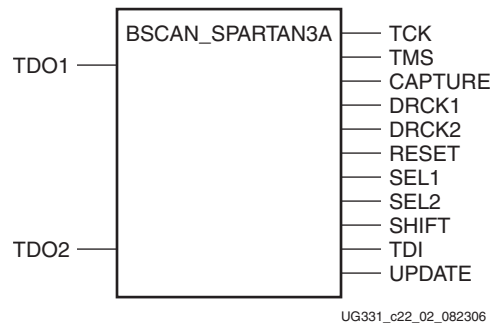


Figure 21-2: BSCAN\_SPARTAN3A Symbol

Spartan-3 generation FPGAs provide hooks for two user-definable scan chains through the USER1 and USER2 instructions. These instructions can be used to provide access to the user design through the JTAG interface. To take advantage of the optional USER1 and USER2 instructions, the designer must instantiate the BSCAN\_SPARTAN3A macro in the source code, and wire it to the user-defined scan chain. Only one BSCAN\_SPARTAN3A component can be used in any single design.

The BSCAN\_SPARTAN3A component is generally used with IP, such as the ChipScope™ PRO analyzer, for communications via the JTAG pins of the FPGA to the internal device logic. When used with this IP, this component is generally instantiated as a part of the IP and nothing more is needed by the user to ensure it is properly used. If, however, custom access is desired, the BSCAN\_SPARTAN3A component can be instantiated and connected to the design to get this functionality. All appropriate pins should be connected to the internal logic. For details on using boundary scan in Spartan-3 generation FPGAs, see Chapter 9, *JTAG Configuration Mode and Boundary-Scan*, in [UG332](#).

## Related Materials and References

- BSDL File Download:  
<http://www.xilinx.com/support/download/index.htm>
- ISP Standards and Specifications:  
[http://www.xilinx.com/products/design\\_resources/config\\_sol/isp\\_standards\\_specs.htm](http://www.xilinx.com/products/design_resources/config_sol/isp_standards_specs.htm)
- Xilinx Software Manuals and Help:  
[http://www.xilinx.com/support/software\\_manuals.htm](http://www.xilinx.com/support/software_manuals.htm)
- Boundary-Scan and JTAG Application Notes:  
[http://www.xilinx.com/support/documentation/boundary\\_scan\\_and\\_jtag.htm](http://www.xilinx.com/support/documentation/boundary_scan_and_jtag.htm)
- Spartan-3 Generation FPGAs Configuration User Guide:  
[http://www.xilinx.com/support/documentation/user\\_guides/ug332.pdf](http://www.xilinx.com/support/documentation/user_guides/ug332.pdf)
- Xilinx data sheets:  
[http://www.xilinx.com/support/documentation/data\\_sheets.htm](http://www.xilinx.com/support/documentation/data_sheets.htm)
- Intellitech Boundary-Scan tools and tutorials:  
<http://www.intellitech.com>

