

MOLDED PLASTIC SMD MICROPROCESSOR CRYSTAL

ABSM2



12.5 x 4.6 x 3.7mm

ABSM2

*H = Pb in high temperature solder
(exempt per RoHS 2002/95/EC Annex (7))

**RoHS
Compliant**

FEATURES:

- Suitable for RoHS reflow
- Available tight tolerance and temperature stability

APPLICATIONS:

- Computers, Modems, Microprocessors
- Communication, Test equipment
- PCMCIA

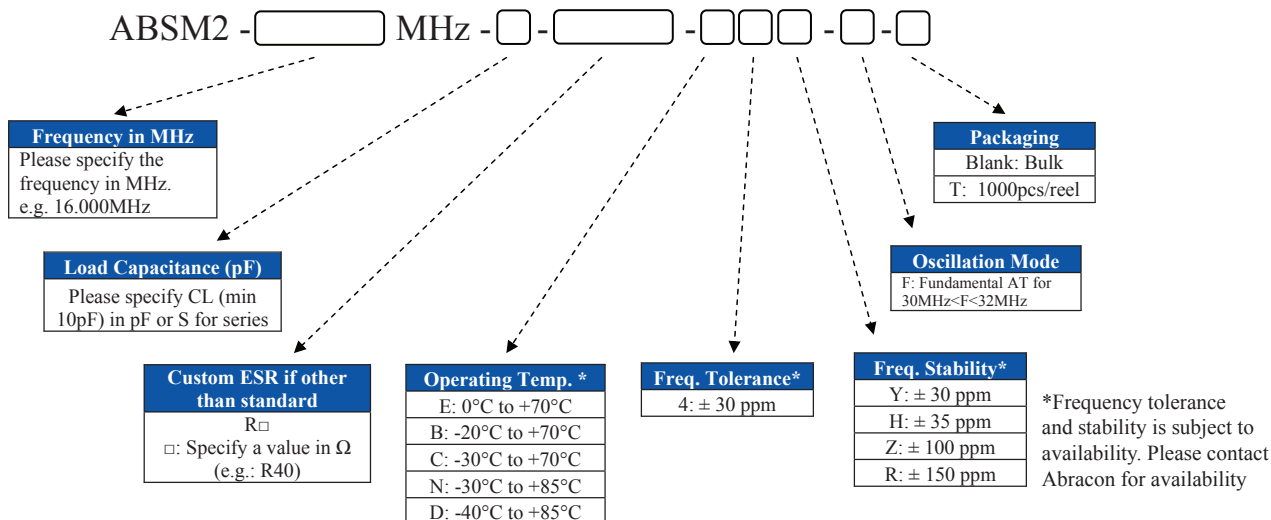
STANDARD SPECIFICATIONS:

Parameters	Minimum	Typical	Maximum	Units	Notes
Frequency Range	3.500	-----	70.000	MHz	
Operation Mode	Fundamental: Standard			-----	3.50 MHz - 30.000 MHz
	3rd Overtone: Standard			-----	30.001 MHz - 70.000 MHz
	Fundamental: Option . See options below			-----	30.001 MHz - 32.000 MHz
Operating Temperature	-10	-----	+60	°C	See options
Storage Temperature	-55	-----	+125	°C	
Frequency Tolerance @+25°C	-50	-----	+50	ppm	See options
Frequency Stability over the Operating Temperature (ref. to +25°C)	-50	-----	+50	ppm	See options
Equivalent series resistance (R1)	See table 1 below			Ω	
Shunt capacitance (C0)	-----	-----	7.0	pF	
Load capacitance (CL)	-----	18.0	-----	pF	Standard (See options if other than STD)
Drive Level	-----	-----	100	μW	
Aging	-5	-----	+5	ppm	@25°C±3°C First year
Insulation Resistance	500	-----	-----	MΩ	@ 100Vdc ± 15V

Table 1. Standard ESR

Frequency (MHz)	ESR (Ω) max.
3.50 - 3.999	200
4.000 - 5.999	150
6.000 - 11.999	100
12.000 - 32.000 (fund)	50
30.000 - 35.999 (3rd overtone)	100
33.000 - 70.000 (3rd overtone)	80

OPTIONS & PART IDENTIFICATION: (Left blank if standard)



MOLDED PLASTIC SMD MICROPROCESSOR CRYSTAL

ABSM2



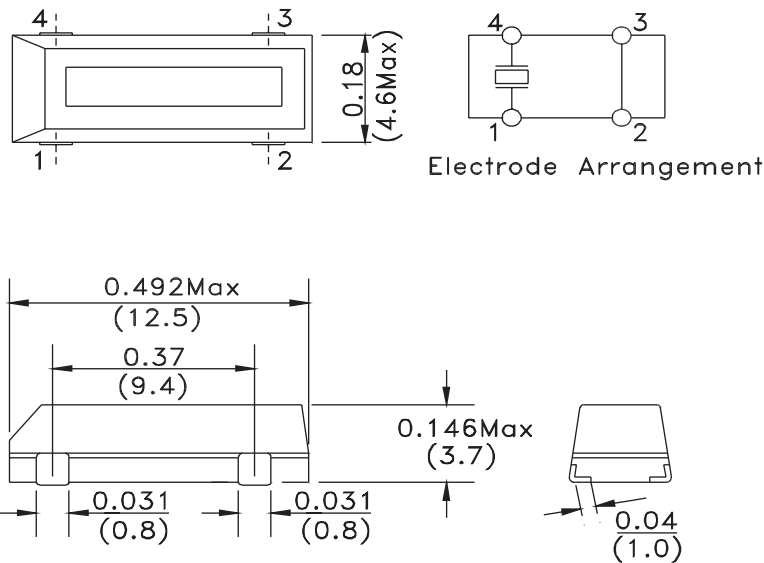
ABSM2

*H = Pb in high temperature solder
(exempt per RoHS 2002/95/EC Annex (7))

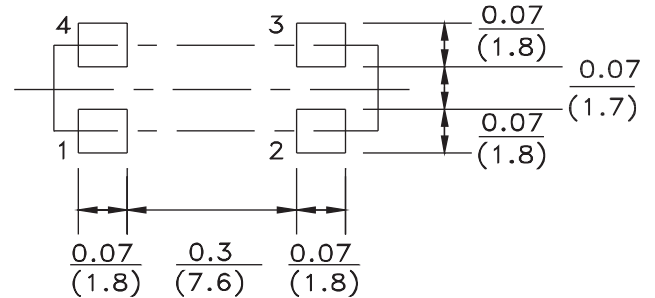
RoHS
Compliant

12.5 x 4.6 x 3.7mm

OUTLINE DRAWING:

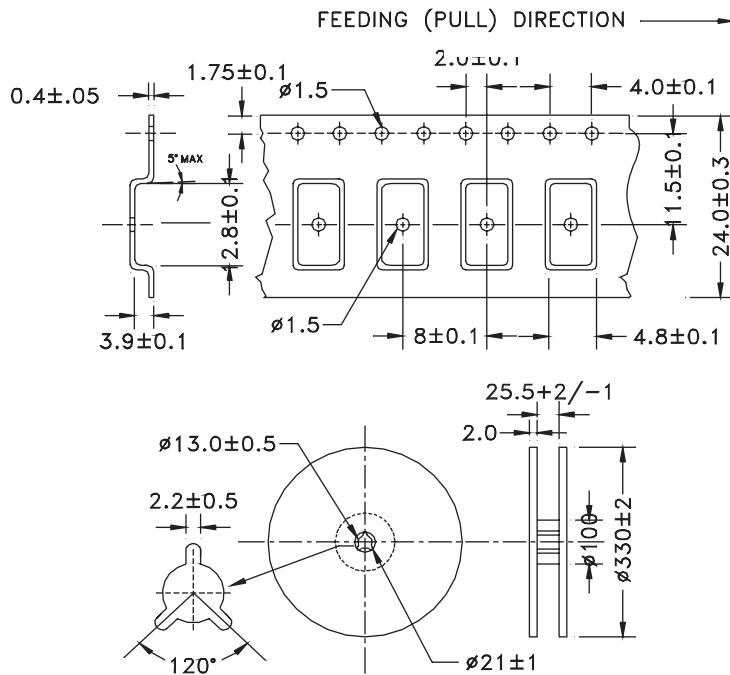


RECOMMENDED LAND PATTERN



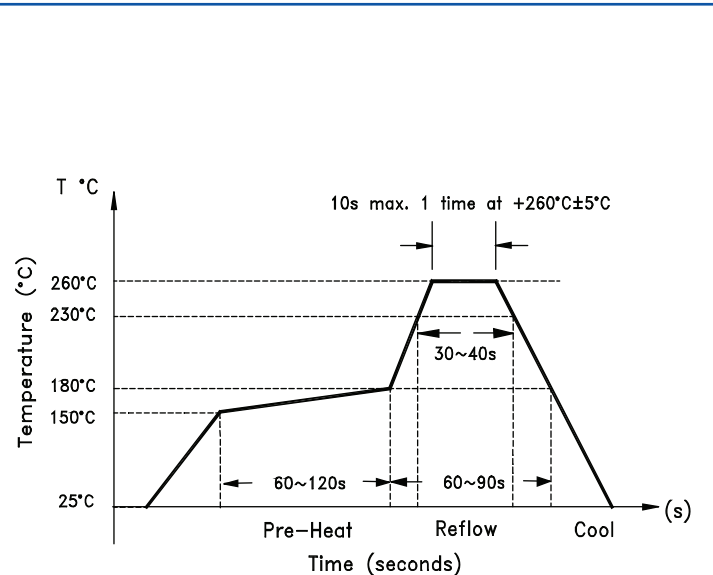
Dimensions: Inches (mm)

TAPE & REEL: T=Tape and reel (1000pcs/reel)



Dimensions: mm

REFLOW PROFILE:



ATTENTION: Abracon Corporation's products are COTS – Commercial-Off-The-Shelf products; suitable for Commercial, Industrial and, where designated, Automotive Applications. Abracon's products are not specifically designed for Military, Aviation, Aerospace, Life-dependant Medical applications or any application requiring high reliability where component failure could result in loss of life and/or property. For applications requiring high reliability and/or presenting an extreme operating environment, written consent and authorization from Abracon Corporation is required. Please contact Abracon Corporation for more information.

ABRACON IS
ISO9001:2008
CERTIFIED



ABRACON
CORPORATION

Visit www.abracon.com for Terms & Conditions of Sale **Revised: 10.18.10**
30332 Esperanza, Rancho Santa Margarita, California 92688
tel 949-546-8000 | fax 949-546-8001 | www.abracon.com