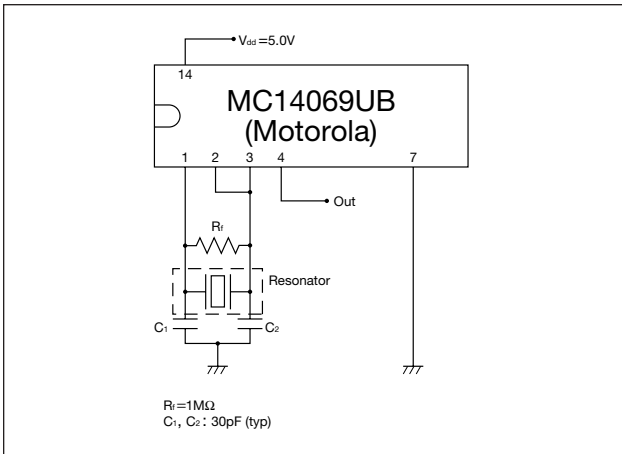


# MHz Band Ceramic Resonators (SMD) PBRC-G Series

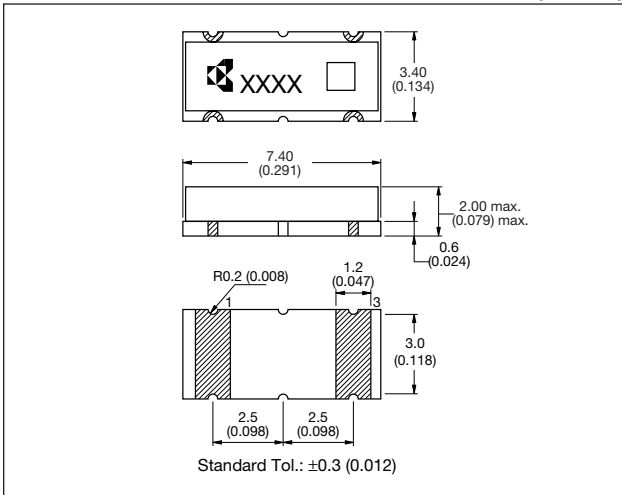


## TEST CIRCUIT



## DIMENSIONS

millimeters (inches)



## FEATURES

- Excellent frequency stability
- Low profile
- Reflow solderable
- Excellent solderability (Nickel barrier + Au flash termination)

## APPLICATIONS

- Car Accessories
- Cam-corders
- Digital Cameras
- PDAs
- PC Peripherals

## HOW TO ORDER

**PBRC - 4.00 G R □**

### Tolerance

- =  $\pm 0.5\%$  (Standard)
- 03 =  $\pm 0.3\%$  (Option)

### Packaging

Tape and reel, 2,000 pcs/reel

### G: No Built-in Capacitor

### Oscillating Frequency (MHz)

3.58 to 8.00MHz

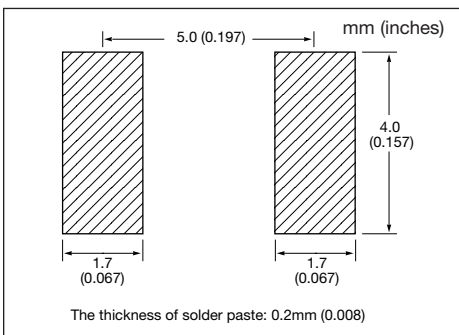
### Series

Note: C1 & C2 are referenced capacitance value to measure each parameter under. Test circuit (IC = MC14069UB).  
C1 & C2 values would be modified - depend upon various IC to be used.

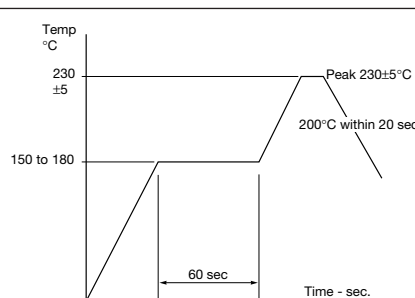
## SPECIFICATIONS

Series	Frequency Range	Frequency Tolerance (25°C)	Temperature Stability	IC	Standard Frequency (MHz)
PBRC-G	3.58 to 8.00	$\pm 0.05\%$ (op. $\pm 0.3\%$ )	$\pm 0.05\%$ (-40 to 85°C)	MC14069UB MOTOROLA	3.58, 4.00, 4.19, 6.00, 8.00

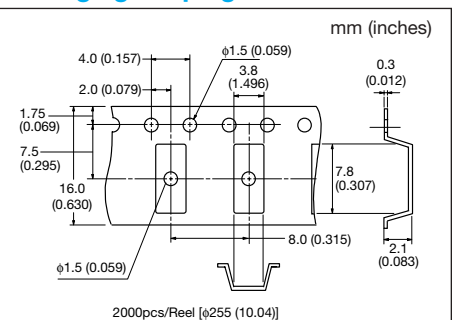
## Recommended Land Pattern



## Recommended Reflow Profile



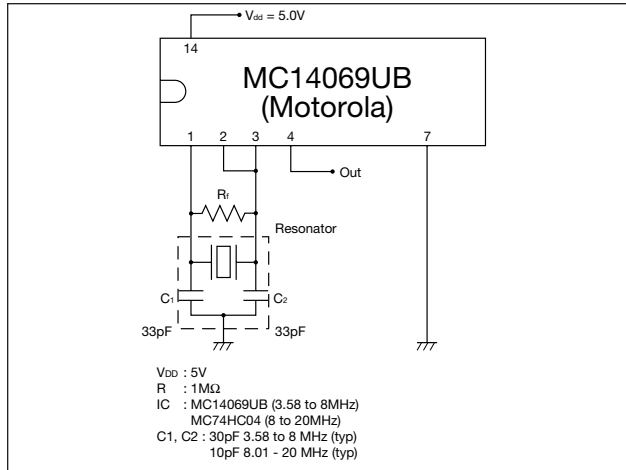
## Packaging - Taping



# MHz Band Ceramic Resonators (SMD) PBRC-H Series

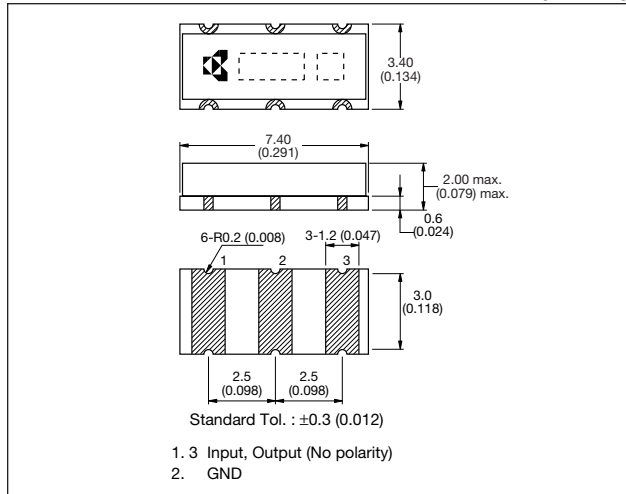


## TEST CIRCUIT



## DIMENSIONS

millimeters (inches)



## FEATURES

- Excellent frequency stability
- Low profile
- Reflow solderable
- Excellent solderability (Nickel barrier + Au flash termination)

## APPLICATIONS

- Car Accessories
- Cam-corders
- Digital Cameras
- PDAs
- PC Peripherals

## HOW TO ORDER

PBRC - 4.00 H R □

### Tolerance

	2.00 to 8.00	8.01 to 20.00
□	$\pm 0.5\%$	$\pm 0.7\%$ (Standard)
03	$\pm 0.3\%$	—
05	—	$\pm 0.5\%$

### Packaging

Tape and reel, 2,000 pcs/reel

### H: Built-in Capacitor

### Oscillating Frequency (MHz)

3.58 to 20.00MHz

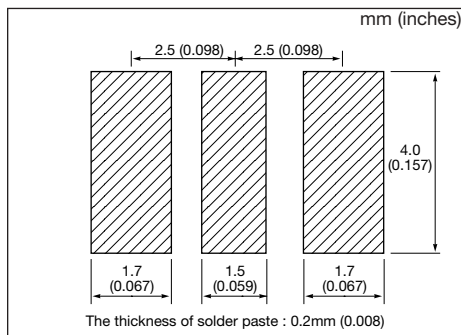
### Series

Note: Please refer to IC Application Guide book for IC matching

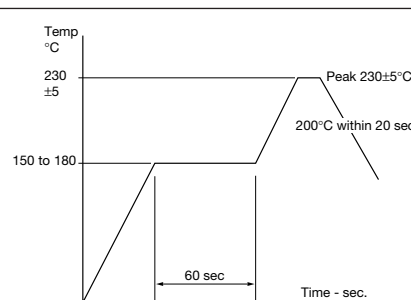
## SPECIFICATIONS

Series	Frequency Range (MHz)	Tolerance (25°C)	Temperature Stability	IC	Standard Frequencies
PBRC-H	3.58 to 8.00	$\pm 0.5\%$ (op. $\pm 0.3\%$ )	$\pm 0.5\%$ (-40 to 85°C)	MOTOROLA MC74HC04	3.58, 4.00, 4.19 6.00, 8.00
	8.01 to 20.00	$\pm 0.7\%$ (op. $\pm 0.5\%$ )	$\pm 0.1\%$ (-40 to 85°C)	MOTOROLA MC14069UB	10.0, 12.0, 16.0, 20.0

## Recommended Land Pattern



## Recommended Reflow Profile



## Packaging - Taping

