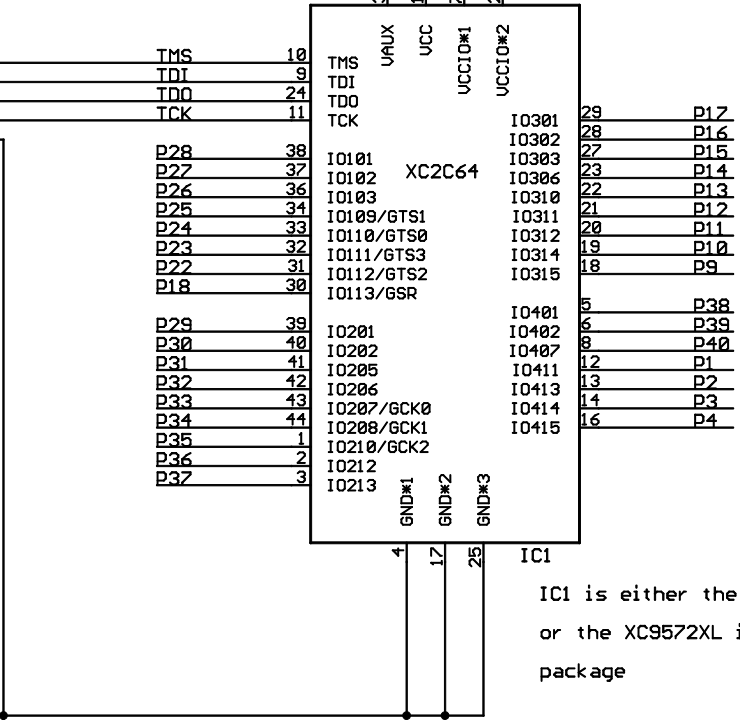
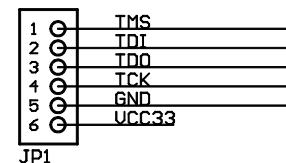
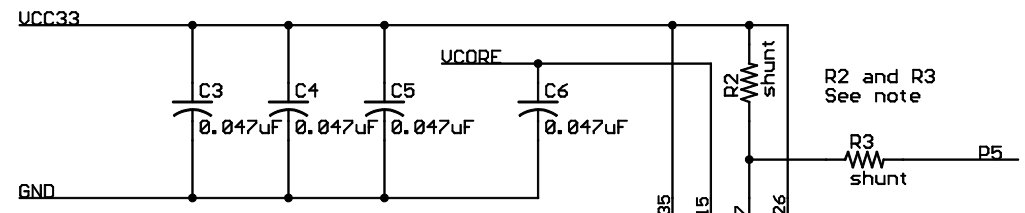
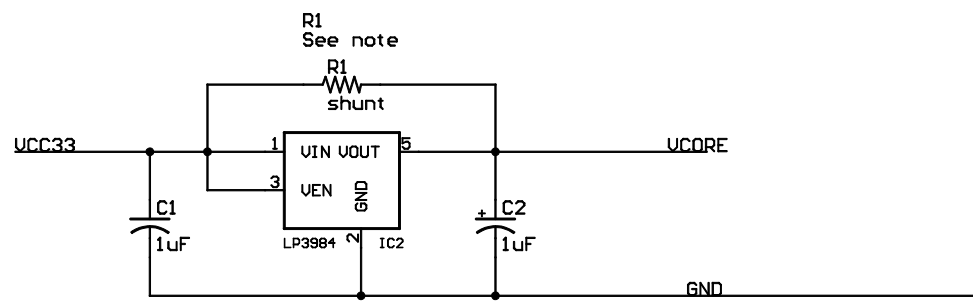


P5 is a NC on the XC2C64 version

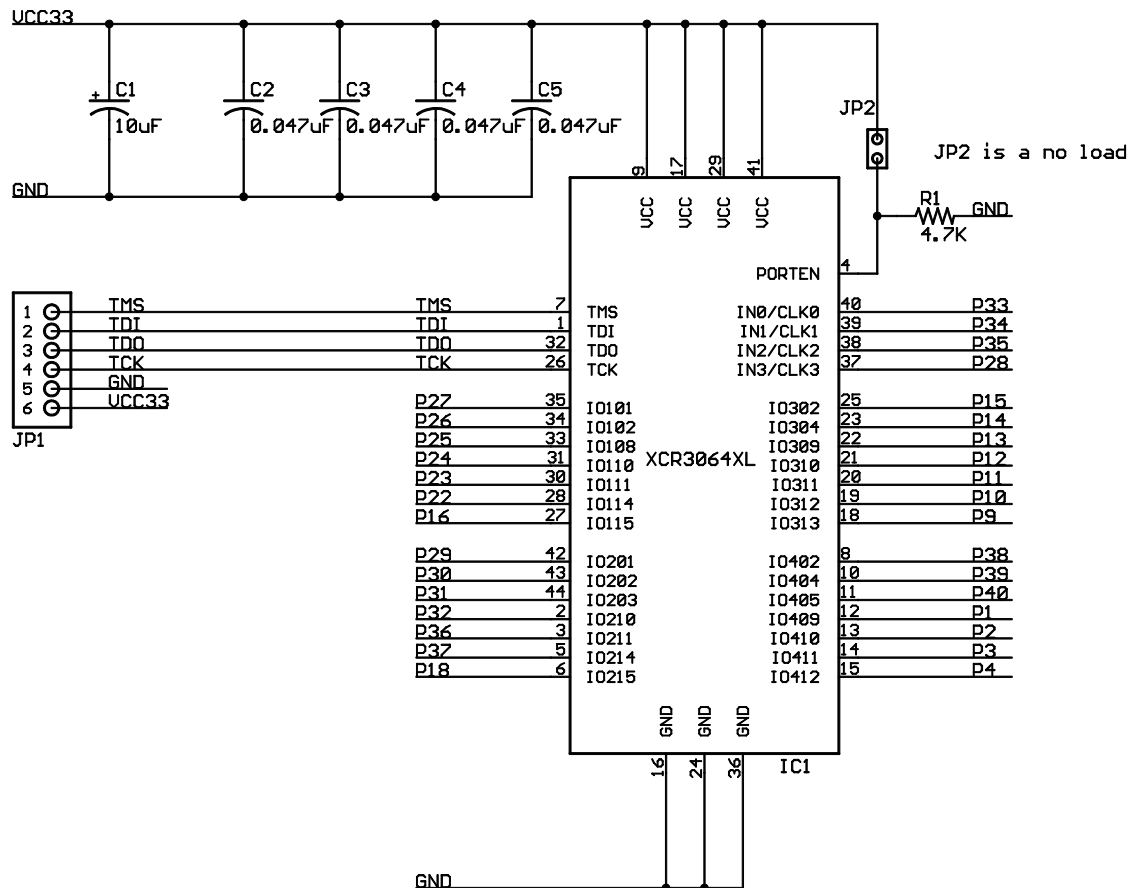
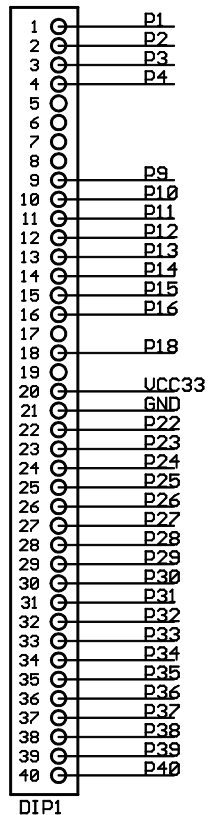


IC1 is either the XC2C64 or the XC9572XL in a UQ44 package

NOTE:
 XC9572XL - R2 and IC2 are not loaded
 XC2C64 - R1 and R3 are not loaded



Digilent C-Mod C295 board		Engineer: CC
Copyright 2004, Digilent Inc.		Author: GMA
TITLE: C-Mod C295		Rev: D
Document Number: 500-047		Sheet: 1/1
Release Date: 1/12/2004		



Notes:

JP2 is a PortEn jumper used to reclaim the Jtag pins in the case that they have been programmed to be IO's.

Digilent C-Mod XCR board

Copyright 2004, Digilent Inc.

TITLE: C-Mod XCR

Document Number: 500-049

Release Date: 3/2/2004

Engineer: CC

Author: GMA

Rev: B

Sheet:1/1