

Features

- Optimized for 1.8V systems
 - Industry's fastest low power CPLD
 - Static Icc of less than 100 microamps at all times
 - Densities from 32 to 512 macrocells
- Industry's best 0.18 micron CMOS CPLD
 - Optimized architecture for effective logic synthesis
 - Multi-voltage I/O operation — 1.5V to 3.3V
- Available in multiple package options
 - 44-pin PLCC with 33 user I/O
 - 44-pin VQFP with 33 user I/O
 - 56-ball CP (0.05mm) BGA with 45 user I/O
 - 100-pin VQFP with 64 user I/O
- Advanced system features
 - Fastest in system programming
 - 1.8V ISP using IEEE 1532 (JTAG) interface
 - IEEE1149.1 JTAG Boundary Scan Test
 - Optional Schmitt trigger input (per pin)
 - Unsurpassed low power management
 - FZP 100% CMOS product term generation
 - Flexible clocking modes
 - Optional DualEDGE triggered registers
 - Global signal options with macrocell control
 - Multiple global clocks with phase selection per macrocell
 - Multiple global output enables
 - Global set/reset
 - Abundant product term clocks, output enables and set/resets
 - Efficient control term clocks, output enables and set/resets for each macrocell and shared across function blocks
 - Advanced design security
 - Open-drain output option for Wired-OR and LED drive
 - Optional bus-hold or weak pullup on selected I/O pins
 - Optional configurable grounds on unused I/Os
 - Mixed I/O voltages compatible with 1.5V, 1.8V, 2.5V, and 3.3V logic levels on all parts
 - PLA architecture
 - Superior pinout retention
 - 100% product term routability across function block
 - Hot pluggable
 - Design entry/verification using Xilinx and industry standard CAE tools

- Free software support for all densities using Xilinx WebPACK[™] or WebFITTER[™] tools
- Industry leading nonvolatile 0.18 micron CMOS process
- Guaranteed 1,000 program/erase cycles
- Guaranteed 20 year data retention

Refer to the CoolRunner[™]-II family data sheet for architecture description.

Description

The CoolRunner-II 64-macrocell device is designed for both high performance and low power applications. This lends power savings to high-end communication equipment and high speed to battery operated devices. Due to the low power stand-by and dynamic operation, overall system reliability is improved.

This device consists of four Function Blocks interconnected by a low power Advanced Interconnect Matrix (AIM). The AIM feeds 40 true and complement inputs to each Function Block. The Function Blocks consist of a 40 by 56 P-term PLA and 16 macrocells which contain numerous configuration bits that allow for combinational or registered modes of operation.

Additionally, these registers can be globally reset or preset and configured as a D or T flip-flop or as a D latch. There are also multiple clock signals, both global and local product term types, configured on a per macrocell basis. Output control signals include slew rate control, bus hold and open drain. A Schmitt trigger input is available on a per input pin basis. In addition to combinatorial and registered outputs, the registers may be configured as fast inputs.

Clocking is available on a global or Function Block basis. Three global clocks are available for all Function Blocks as a synchronous clock source. These clocks are additionally used to set or preset individual macrocell registers on power up. Local clocks are generated in specific Function Blocks and only available to macrocell registers in that Function Block.

A DualEDGE flip-flop feature is also available on a per macrocell basis. This feature allows performance where it is needed without raising the total power consumption of the entire device.

The CoolRunner-II 64-macrocell CPLD is I/O compatible with standard LVTTTL33 and LVCMOS18, 25, and 33 volts (see Table 1). This device is also 1.5 volt I/O compatible with the use of Schmitt inputs.

Fast Zero Power Design Technology

Xilinx CoolRunner-II CPLDs are fabricated on a 0.18 micron process technology which is derived from leading edge FPGA product development. CoolRunner-II CPLDs employ Fast Zero Power™ (FZP), a design technique that makes use of CMOS technology in both the fabrication and design methodology. FZP design technology employs a cascade of CMOS gates to implement sum of products instead of traditional sense amplifier methodology. Due to this technology, Xilinx CoolRunner-II CPLDs achieve both high performance and low power operation.

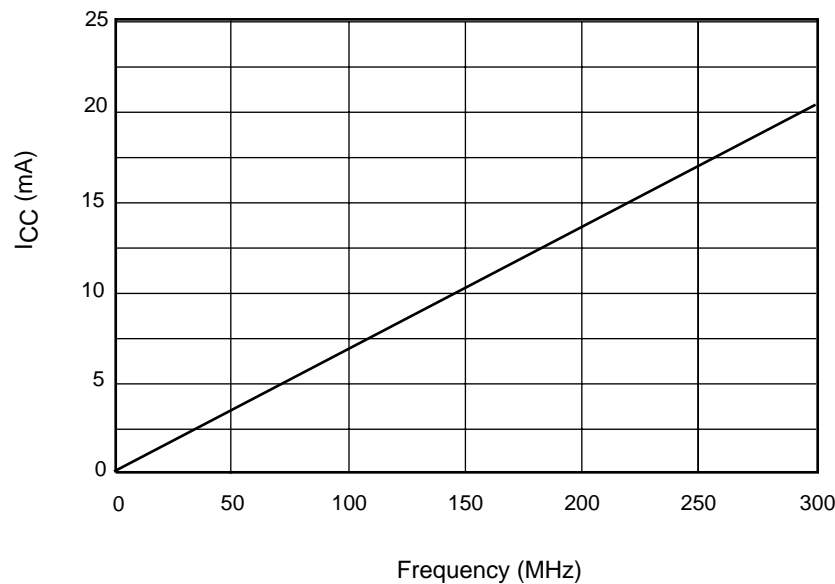
Supported I/O Standards

The CoolRunner-II 64 macrocell features both LVCMOS and LVTTTL I/O implementations. See [Table 1](#) for I/O standard voltages. The LVTTTL I/O standard is a general purpose

EIA/JESDSA standard for 3.3V applications that use an LVTTTL input buffer and Push-Pull output buffer. The LVCMOS standard is used in 3.3V, 2.5V, 1.8V applications. CoolRunner-II CPLDs are also 1.5V I/O compatible with the use of Schmitt inputs.

Table 1: I/O Standards for XC2C64

I/O Standard	Output V _{CCIO}	Input V _{CCIO}	Input V _{REF}	Board Termination Voltage V _T
LVTTTL	3.3V	3.3V	N/A	N/A
LVCMOS33	3.3	3.3	N/A	N/A
LVCMOS25	2.5	2.5	N/A	N/A
LVCMOS18	1.8	1.8	N/A	N/A



DS092_07_121501

Figure 1: I_{CC} vs Frequency

Table 2: I_{CC} vs Frequency (LVCMOS 1.8V T_A = 25°C)⁽¹⁾

	Frequency (MHz)										
	50	75	100	125	150	175	200	225	250	275	300
Typical I _{CC} (mA)	3.6	5.5	7.3	9.1	10.8	12.5	14.2	15.9	17.5	19.2	20.8

Notes:

- 16-bit up/down, resettable binary counter (one counter per function block).

Absolute Maximum Ratings

Symbol	Description	Value	Units
V_{CC}	Supply voltage relative to ground	-0.5 to 2.0	V
V_{CCIO}	Supply voltage for output drivers	-0.5 to 4.0	V
V_{IN}	Input voltage relative to ground ⁽¹⁾	-0.5 to 4.0	V
V_{TS}	Voltage applied to 3-state output ⁽¹⁾	-0.5 to 4.0	V
V_{STG}	Storage Temperature (ambient)	-65 to +150	°C
T_{SOL}	Maximum Soldering temperature (10s @ 1/16in. = 1.5mm)	+ 60	°C
T_J	Junction Temperature	+ 50	°C

Notes:

- Maximum DC undershoot below GND must be limited to either 0.5V or 10 mA, whichever is easiest to achieve. During transitions, the device pins may undershoot to -2.0v or overshoot to +4.5V, provided this over or undershoot lasts less than 10 ns and with the forcing current being limited to 200 mA.

Recommended Operating Conditions

Symbol	Parameter	Min	Max	Units	
V_{CC}	Supply voltage for internal logic and input buffers	Commercial $T_A = 0^\circ\text{C}$ to $+70^\circ\text{C}$	1.7	1.9	V
		Industrial $T_A = -40^\circ\text{C}$ to $+85^\circ\text{C}$	1.7	1.9	V
V_{CCIO}	Supply voltage for output drivers @ 3.3V operation	3.0	3.6	V	
	Supply voltage for output drivers @ 2.5V operation	2.3	2.7	V	
	Supply voltage for output drivers @ 1.8V operation	1.7	1.9	V	
	Supply voltage for output drivers @ 1.5V operation ⁽¹⁾	1.4	1.6	V	

Notes:

- Use input hysteresis for 1.5V LVCMOS.

DC Electrical Characteristics (Over Recommended Operating Conditions)

Symbol	Parameter	Test Conditions	Min.	Max.	Units
I_{CCSB}	Standby current	$V_{CC} = 1.9\text{V}$, $V_{CCIO} = 3.6\text{V}$		100	μA
I_{CC}	Dynamic current	$f = 1\text{ MHz}$			mA
		$f = 50\text{ MHz}$			mA
C_{JTAG}	JTAG input capacitance	$f = 1\text{ MHz}$			pF
C_{CLK}	Global clock input capacitance	$f = 1\text{ MHz}$			pF
C_{IO}	I/O capacitance	$f = 1\text{ MHz}$			pF

LVC MOS 3.3V DC Voltage Specifications

Symbol	Parameter	Test Conditions	Min.	Max.	Units
V_{CCIO}	Input source voltage		3.0	3.6	V
V_{IH}	High level input voltage		2	$V_{CCIO} + 0.3V$	V
V_{IL}	Low level input voltage		-0.3	0.8	V
V_{OH}	High level output voltage	$I_{OH} = -8 \text{ mA}, V_{CCIO} = 3V$	$V_{CCIO} - 0.4V$	-	V
		$I_{OH} = -0.1 \text{ mA}, V_{CCIO} = 3V$	$V_{CCIO} - 0.2V$	-	V
V_{OL}	Low level output voltage	$I_{OL} = 8 \text{ mA}, V_{CCIO} = 3V$	-	0.4	V
		$I_{OL} = 0.1 \text{ mA}, V_{CCIO} = 3V$	-	0.2	V
I_{IL}	Input leakage current	$V_{IN} = 0V$ or V_{CCIO} to 3.9V	-10	10	μA
I_{IH}	I/O High-Z leakage	$V_{IN} = 0V$ or V_{CCIO} to 3.9V	-10	10	μA
C_{JTAG}	JTAG input capacitance	$f = 1 \text{ MHz}$			pF
C_{CLK}	Global clock input capacitance	$f = 1 \text{ MHz}$			pF
C_{IO}	I/O capacitance	$f = 1 \text{ MHz}$			pF

LVC MOS 2.5V DC Voltage Specifications

Symbol	Parameter	Test Conditions	Min.	Max.	Units
V_{CCIO}	Input source voltage		2.3	2.7	V
V_{IH}	High level input voltage		1.7	3.9	V
V_{IL}	Low level input voltage		-0.3	0.7	V
V_{OH}	High level output voltage	$I_{OH} = -8 \text{ mA}, V_{CCIO} = 3V$	$V_{CCIO} - 0.4V$	-	V
		$I_{OH} = -0.1 \text{ mA}, V_{CCIO} = 3V$	$V_{CCIO} - 0.2V$	-	V
V_{OL}	Low level output voltage	$I_{OL} = 8 \text{ mA}, V_{CCIO} = 3V$	-	0.4	V
		$I_{OL} = 0.1 \text{ mA}, V_{CCIO} = 3V$	-	0.2	V
I_{IL}	Input leakage current	$V_{IN} = 0V$ or V_{CCIO} to 3.9V	-10	10	μA
I_{IH}	I/O High-Z leakage	$V_{IN} = 0V$ or V_{CCIO} to 3.9V	-10	10	μA
C_{JTAG}	JTAG input capacitance	$f = 1 \text{ MHz}$			pF
C_{CLK}	Global clock input capacitance	$f = 1 \text{ MHz}$			pF
C_{IO}	I/O capacitance	$f = 1 \text{ MHz}$			pF

LVCMOS 1.8V DC Voltage Specifications

Symbol	Parameter	Test Conditions	Min.	Max.	Units
V_{CCIO}	Input source voltage		1.7	1.9	V
V_{IH}	High level input voltage		$0.7 \times V_{CCIO}$	3.9	V
V_{IL}	Low level input voltage		-0.3	$0.2 \times V_{CCIO}$	V
V_{OH}	High level output voltage	$I_{OH} = -8 \text{ mA}, V_{CCIO} = 3V$	$V_{CCIO} - 0.45$	-	V
		$I_{OH} = -0.1 \text{ mA}, V_{CCIO} = 3V$	$V_{CCIO} - 0.2$	-	V
V_{OL}	Low level output voltage	$I_{OL} = 8 \text{ mA}, V_{CCIO} = 3V$	-	0.45	V
		$I_{OL} = 0.1 \text{ mA}, V_{CCIO} = 3V$	-	0.2	V
I_{IL}	Input leakage current	$V_{IN} = 0 \text{ or } V_{CCIO} \text{ to } 3.9V$	-10	10	μA
I_{IH}	I/O High-Z leakage	$V_{IN} = 0 \text{ or } V_{CCIO} \text{ to } 3.9V$	-10	10	μA
C_{JTAG}	JTAG input capacitance	$f = 1 \text{ MHz}$			pF
C_{CLK}	Global clock input capacitance	$f = 1 \text{ MHz}$			pF
C_{IO}	I/O capacitance	$f = 1 \text{ MHz}$			pF

1.5V DC Voltage Specifications

Symbol	Parameter	Test Conditions	Min.	Max.	Units
V_{CCIO}	Input source voltage		1.4	1.6	V
V_{IH}	High level input voltage		$0.7 \times V_{CCIO}$	3.9	V
V_{IL}	Low level input voltage		-0.3	0.3	V
V_{OH}	High level output voltage	$I_{OH} = -8 \text{ mA}, V_{CCIO} = 3V$	$V_{CCIO} - 0.45$		V
		$I_{OH} = -0.1 \text{ mA}, V_{CCIO} = 3V$	$V_{CCIO} - 0.2$		V
V_{OL}	Low level output voltage	$I_{OL} = 8 \text{ mA}, V_{CCIO} = 3V$		0.4	V
		$I_{OL} = 0.1 \text{ mA}, V_{CCIO} = 3V$		0.2	V
I_{IL}	Input leakage current	$V_{IN} = 0 \text{ or } V_{CCIO} \text{ to } 3.9V$	-10	10	μA
I_{IH}	I/O High-Z leakage	$V_{IN} = 0 \text{ or } V_{CCIO} \text{ to } 3.9V$	-10	10	μA
C_{JTAG}	JTAG input capacitance	$f = 1 \text{ MHz}$			pF
C_{CLK}	Global clock input capacitance	$f = 1 \text{ MHz}$			pF
C_{IO}	I/O capacitance	$f = 1 \text{ MHz}$			pF

AC Electrical Characteristics Over Recommended Operating Conditions

Symbol	Parameter	-4		-5		-7		Units
		Min.	Max.	Min.	Max.	Min.	Max.	
T _{PD1}	Propagation delay single p-term	-	3.7	-	4.6	-	6.7	ns
T _{PD2}	Propagation delay OR array	-	4.0	-	5.0	-	7.5	ns
T _{SU1}	Setup time fast	1.6	-	1.9	-	2.3	-	ns
T _{SU2}	Setup time	2.0	-	2.4	-	3.3	-	ns
T _{H1}	Fast input register hold time	0	-	0	-	0	-	ns
T _{H2}	P-term hold time	0	-	0	-	0	-	ns
T _{CO}	Clock to output	-	3.0	-	3.9	-	6.0	ns
T _{TOGGLE}	Internal toggle rate	-	416	-	250	-	168	MHz
F _{SYSTEM}	Maximum system frequency	-	270	-	213	-	141	MHz
F _{EXT}	Maximum external frequency	-	200	-	159	-	108	MHz
T _{PSU1}	Fast input register p-term clock setup time	1.0	-	1.2	-	1.5	-	ns
T _{PSU2}	P-term clock setup time	1.4	-	1.7	-	2.5	-	ns
T _{PH1}	Fast input register p-term clock hold time	0.4	-	0.6	-	0.7	-	ns
T _{PH2}	P-term clock hold	0.3	-	0.5	-	0.5	-	ns
T _{PCO}	P-term clock to output	-	3.6	-	4.6	-	6.8	ns
T _{OE/TOD}	Global OE to output enable/disable	-	3.9	-	4.9	-	7.0	ns
T _{POE/TPOD}	P-term OE to output enable/disable	-	4.3	-	5.3	-	7.3	ns
T _{MOE/TMOD}	Macrocell driven OE to output enable/disable	-	4.9	-	6.3	-	9.2	ns
T _{PAO}	P-term set/reset to output valid	-	5.4	-	6.4	-	9.1	ns
T _{AO}	Global set/reset to output valid	-	5.5	-	6.5	-	9.3	ns
T _{SUEC1}	Fast input register clock enable setup time	1.6	-	1.9	-	2.3	-	ns
T _{SUEC2}	Register clock enable setup time	2.0	-	2.4	-	3.3	-	ns
T _{HEC1}	Fast input register clock enable hold time	0	-	0	-	0	-	ns
T _{HEC2}	Register clock enable hold time	0	-	0	-	0	-	ns
T _{CW}	Global clock pulse width High or Low	1.2	-	2.0	-	3.0	-	ns
T _{PCW}	P-term pulse width High or Low	4.0	-	5.0	-	7.5	-	ns
T _{CONFIG}	Configuration time							us

Internal Timing Parameters

Symbol	Parameter ⁽¹⁾	-4		-5		-7		Units
		Min.	Max.	Min.	Max.	Min.	Max.	
Buffer Delays								
T _{IN}	Input buffer delay	-	1.3	-	1.7	-	2.4	ns
T _{FIN}	Fast data register input delay	-	1.6	-	2.1	-	3.0	ns
T _{GCK}	Global Clock buffer delay	-	1.2	-	1.6	-	2.5	ns
T _{GSR}	Global set/reset buffer delay	-	1.9	-	2.4	-	3.5	ns
T _{GTS}	Global 3-state buffer delay	-	1.4	-	1.9	-	3.0	ns
T _{OUT}	Output buffer delay	-	1.6	-	1.9	-	2.8	ns
T _{EN}	Output buffer enable/disable delay	-	2.5	-	3.0	-	4.0	ns
P-term Delays								
T _{CT}	Control term delay	-	0.5	-	0.6	-	0.9	ns
T _{LOGI1}	Single P-term delay adder	-	0.4	-	0.5	-	0.8	ns
T _{LOGI2}	Multiple P-term delay adder	-	0.3	-	0.4	-	0.8	ns
Macrocell Delay								
T _{PDI}	Input to output valid	-	0.4	-	0.5	-	0.7	ns
T _{SUI}	Setup before clock	1.2	-	1.4	-	1.8	-	ns
T _{HI}	Hold after clock	0	-	0	-	0	-	ns
T _{ECSU}	Enable clock setup time	1.2	-	1.4	-	1.8	-	ns
T _{ECHO}	Enable clock hold time	0	-	0	-	0	-	ns
T _{COI}	Clock to output valid	-	0.2	-	0.4	-	0.7	ns
T _{AOI}	Set/reset to output valid	-	2.0	-	2.2	-	3.0	ns
T _{CDBL}	Clock doubler delay	-	0	-	0	-	0	ns
Feedback Delays								
T _F	Feedback delay	-	1.6	-	2.0	-	3.0	ns
T _{OEM}	Macrocell to global OE delay	-	1.0	-	1.3	-	2.0	ns
I/O Standard Time Adder Delays 1.5V CMOS								
T _{IN15}	Standard input adder							ns
T _{HYS15}	Hysteresis input adder							ns
T _{OUT15}	Output adder							ns
T _{SLEW15}	Output slew rate adder							ns
I/O Standard Time Adder Delays 1.8V CMOS								
T _{IN18}	Standard input adder	-	0	-	0	-	0	ns
T _{HYS18}	Hysteresis input adder	-	2.0	-	3.0	-	4.0	ns
T _{OUT18}	Output adder	-	0	-	0	-	0	ns
T _{SLEW}	Output slew rate adder	-	2.0	-	3.0	-	4.0	ns

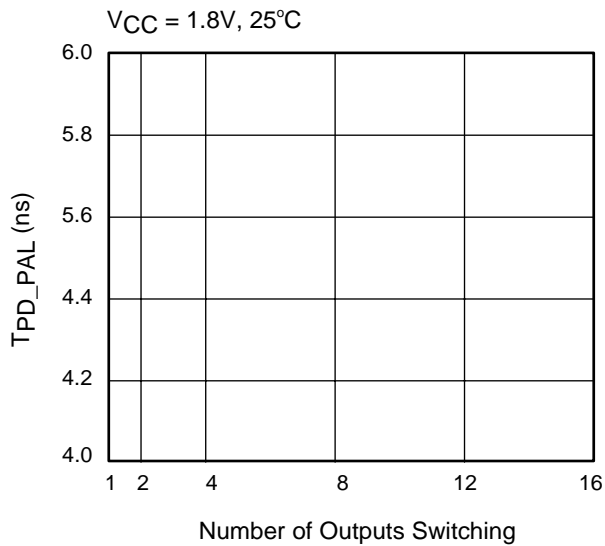
Internal Timing Parameters (Continued)

Symbol	Parameter ⁽¹⁾	-4		-5		-7		Units
		Min.	Max.	Min.	Max.	Min.	Max.	
I/O Standard Time Adder Delays 2.5V CMOS								
T _{IN25}	Standard input adder	-	0.5	-	0.8	-	1.0	ns
T _{HYS25}	Hysteresis input adder	-	1.5	-	2.5	-	3.0	ns
T _{OUT25}	Output adder	-	1.5	-	2.5	-	3.0	ns
T _{SLEW25}	Output slew rate adder	-	2.0	-	3.0	-	4.0	ns
I/O Standard Time Adder Delays 3.3V CMOS/TTL								
T _{IN33}	Standard input adder	-	0.7	-	1.0	-	2.0	ns
T _{HYS33}	Hysteresis input adder	-	1.0	-	2.0	-	3.0	ns
T _{OUT33}	Output adder	-	1.0	-	2.0	-	3.0	ns
T _{SLEW33}	Output slew rate adder	-	2.0	-	3.0	-	4.0	ns

Notes:

1. 1.5 ns input pin signal rise/fall.

Switching Characteristics



DS092_09_121501

Pin Descriptions

Function Block	Macro-cell	PC44	VQ44	CP56	VQ100
1	1	44	38	F1	13
1	2	43	37	E3	12
1	3	42	36	E1	11
1	4	-	-	-	10
1	5	-	-	-	9
1	6	-	-	-	8
1	7	-	-	D3	7
1	8	-	-	-	6
1(GTS1)	9	40	34	D1	4
1(GTS0)	10	39	33	C1	3
1(GTS3)	11	38	32	A3	2
1(GTS2)	12	37	31	A2	1
1(GRS)	13	36	30	B1	99
1	14	-	-	A1	97
1	15	-	-	C3	94
1	16	-	-	A4	92
2	1	1	39	G1	14
2	2	2	40	F3	15
2	3	-	-	-	16
2	4	-	-	-	17
2	5	3	41	H1	18
2	6	4	42	G3	19
2(GCK0)	7	5	43	J1	22
2(GCK1)	8	6	44	K1	23
2	9	-	-	K4	24
2(GCK2)	10	7	1	K2	27
2	11	-	-	-	28
2	12	8	2	K3	29
2	13	9	3	H3	30
2	14	-	-	K5	32
2	15	-	-	-	33
2	16	-	-	-	34

Pin Descriptions (Continued)

Function Block	Macro-cell	PC44	VQ44	CP56	VQ100
3	1	35	29	C4	91
3	2	34	28	A4	90
3	3	33	27	C5	89
3	4	-	-	A7	81
3	5	-	-	C8	79
3	6	29	23	A8	78
3	7	-	-	A9	77
3	8	-	-	-	76
3	9	-	-	A5	74
3	10	28	22	A10	72
3	11	27	21	B10	71
3	12	26	20	C10	70
3	13	-	-	D8	68
3	14	25	19	E8	67
3	15	24	18	D10	64
3	16	-	-	-	61
4	1	11	5	K6	35
4	2	12	6	H5	36
4	3	-	-	-	37
4	4	-	-	-	39
4	5	-	-	H7	40
4	6	-	-	-	41
4	7	14	8	H8	42
4	8	-	-	-	43
4	9	-	-	-	49
4	10	-	-	K8	50
4	11	18	12	H10	52
4	12	-	-	-	53
4	13	19	13	G10	55
4	14	20	14	-	56
4	15	22	16	F10	58
4	16	-	-	E10	60

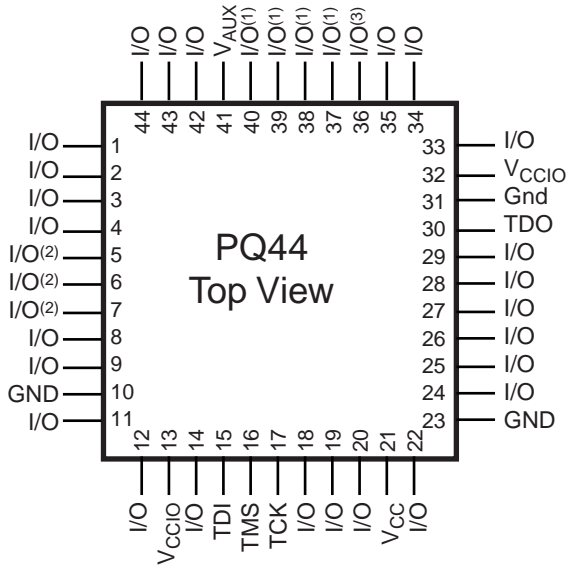
Note: GTS = global output enable, GRS = global reset/set, GCK = global clock x

XC2C64 Global, JTAG, Power/Ground and No Connect Pins

Pin Type	PC44	VQ44	CP56	VQ100
TCK	17	11	K10	48
TDI	15	9	J10	45
TDO	30	24	A6	83
TMS	16	10	K9	47
V _{AUX} (JTAG supply voltage)	41	35	D3	5
Power internal (V _{CC})	21	15	G8	26,57
Power external I/O (V _{CCIO})	13, 32	7,26	H6, C6	38, 51,88, 98
Ground	10,23,31	4,17,25	H4, F8, C7	21,31,62,69,84,100
No connects				20,25,44,46,54,59,63,65,66,73,75, 80,82,85,86,87,93,95,96
Total user I/O	33	33	45	64

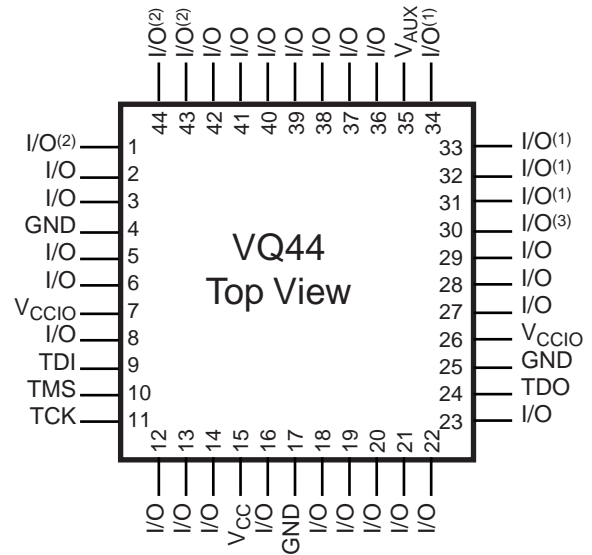
Ordering Information

Part Number	Pin/Ball Spacing	θ_{JA} (C/Watt)	θ_{JC} (C/Watt)	Package Type	I/O	Commercial (C) Industrial (I)
XC2C64-4PC44C	1.27mm	53.1	28.7	Plastic Leaded Chip Carrier	33	C
XC2C64-5PC44C	1.27mm	53.1	28.7	Plastic Leaded Chip Carrier	33	C
XC2C64-7PC44C	1.27mm	53.1	28.7	Plastic Leaded Chip Carrier	33	C
XC2C64-4VQ44C	0.8mm	46.6	8.2	Very Thin Quad Flat Pack	33	C
XC2C64-5VQ44C	0.8mm	46.6	8.2	Very Thin Quad Flat Pack	33	C
XC2C64-7VQ44C	0.8mm	46.6	8.2	Very Thin Quad Flat Pack	33	C
XC2C64-4CP56C	0.5mm	65.0	15.0	Chip Scale Package	45	C
XC2C64-5CP56C	0.5mm	65.0	15.0	Chip Scale Package	45	C
XC2C64-7CP56C	0.5mm	65.0	15.0	Chip Scale Package	45	C
XC2C64-4VQ100C	0.5mm	53.2	14.6	Very Thin Quad Flat Pack	64	C
XC2C64-5VQ100C	0.5mm	53.2	14.6	Very Thin Quad Flat Pack	64	C
XC2C64-7VQ100C	0.8mm	53.2	14.6	Very Thin Quad Flat Pack	64	C
XC2C64-5PC44I	1.27mm	53.1	28.7	Plastic Leaded Chip Carrier	33	I
XC2C64-7PC44I	1.27mm	53.1	28.7	Plastic Leaded Chip Carrier	33	I
XC2C64-5VQ44I	0.8mm	46.6	8.2	Very Thin Quad Flat Pack	33	I
XC2C64-7VQ44I	0.8mm	46.6	8.2	Very Thin Quad Flat Pack	33	I
XC2C64-5CP56I	0.5mm	65.0	15.0	Chip Scale Package	45	I
XC2C64-7CP56I	0.5mm	65.0	15.0	Chip Scale Package	45	I
XC2C64-5VQ100I	0.5mm	53.2	14.6	Very Thin Quad Flat Pack	64	I
XC2C64-7VQ100I	0.5mm	53.2	14.6	Very Thin Quad Flat Pack	64	I



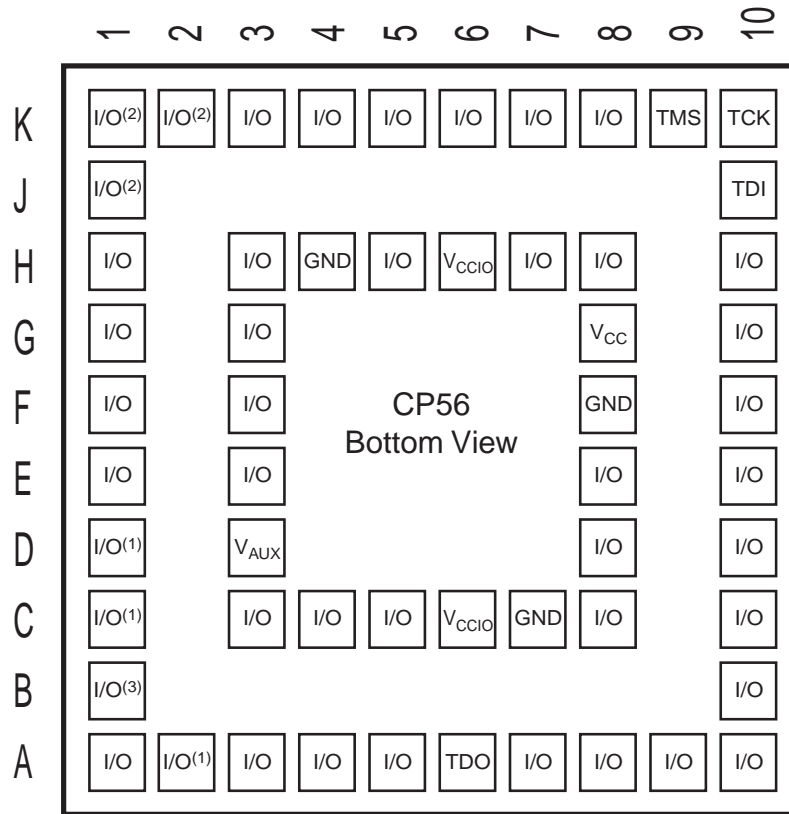
- (1) - Global Output Enable
- (2) - Global Clock
- (3) - Global Set/Reset

Figure 2: PQ44 Package



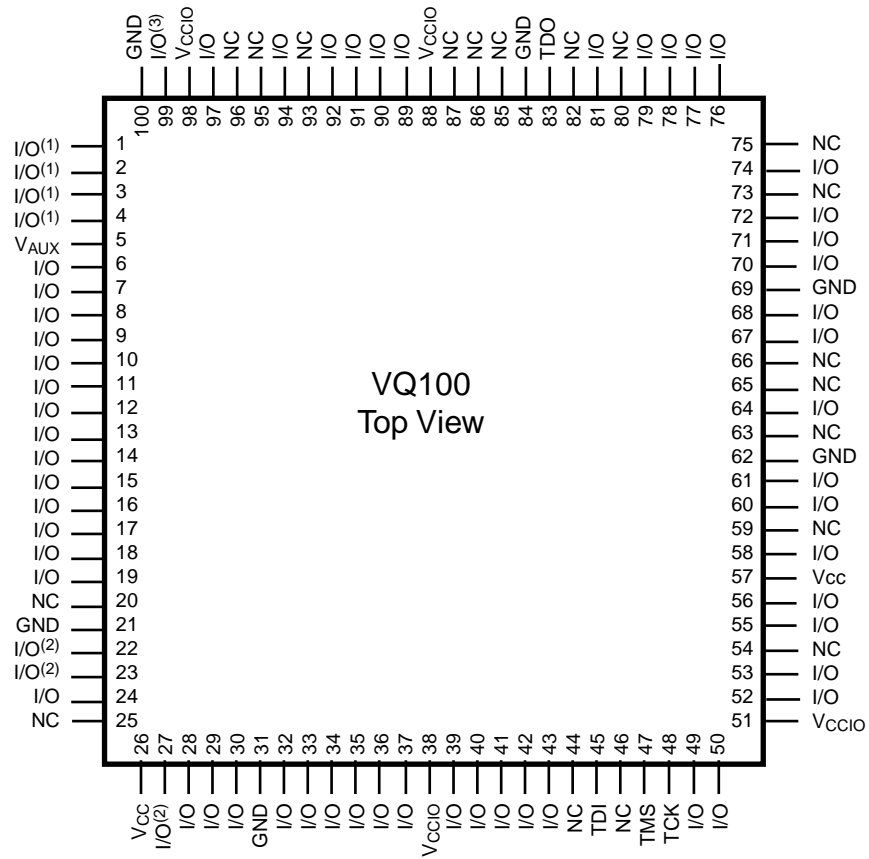
- (1) - Global Output Enable
- (2) - Global Clock
- (3) - Global Set/Reset

Figure 3: VQ44 Package



- (1) - Global Output Enable
- (2) - Global Clock
- (3) - Global Set/Reset

Figure 4: CP56 Package



- (1) - Global Output Enable
- (2) - Global Clock
- (3) - Global Set/Reset

Figure 5: VQ100 Package

Revision History

The following table shows the revision history for this document.

Date	Version	Revision
01/03/02	0.1	Initial Xilinx release.

This datasheet has been download from:

www.datasheetcatalog.com

Datasheets for electronics components.