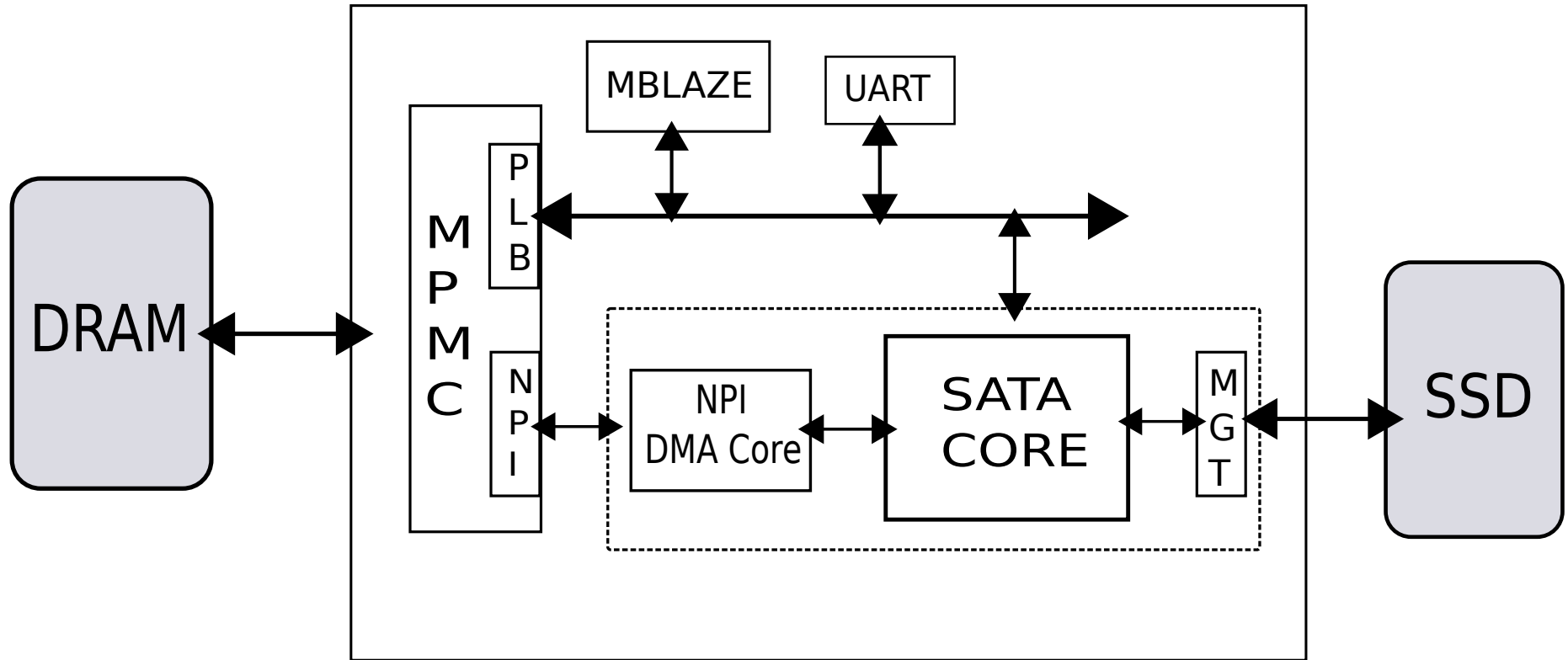


FPGA



- MGT : Multi Gigabit Transceiver
- MPMC : Multi-port Memory Controller
- NPI : Native Port Interface
- MBLAZE : Microblaze Embedded CPU
- SSD : Solid State Drive