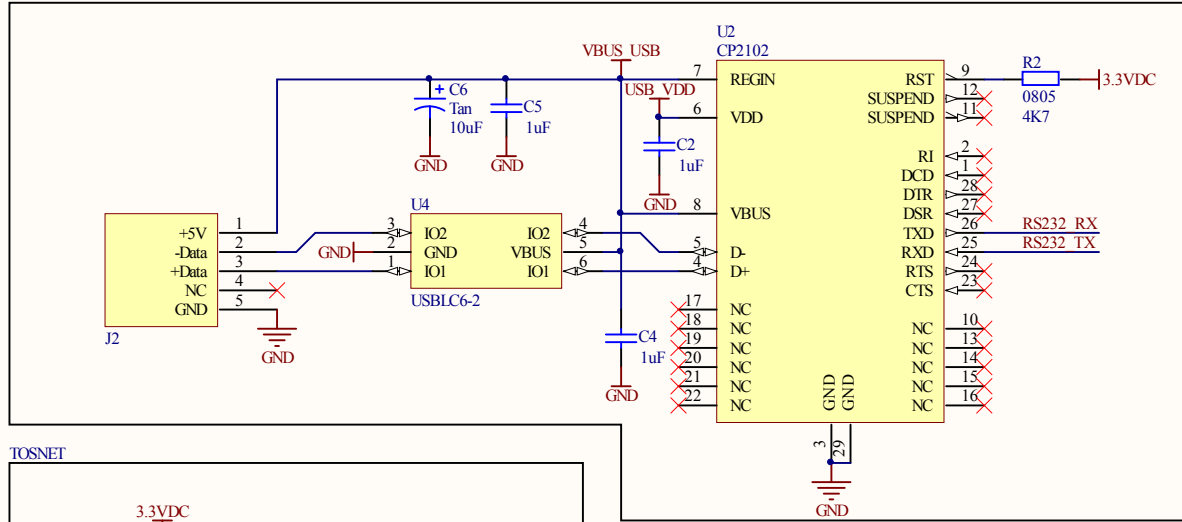
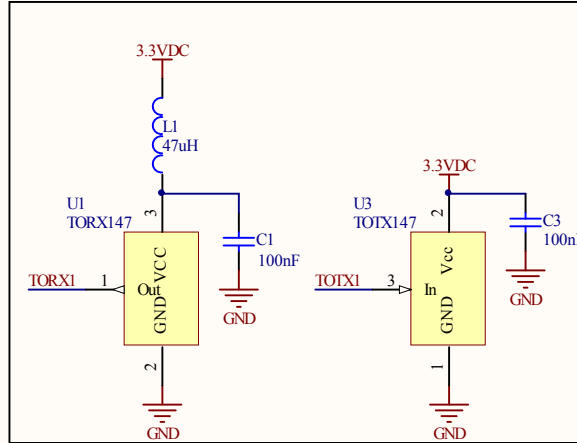


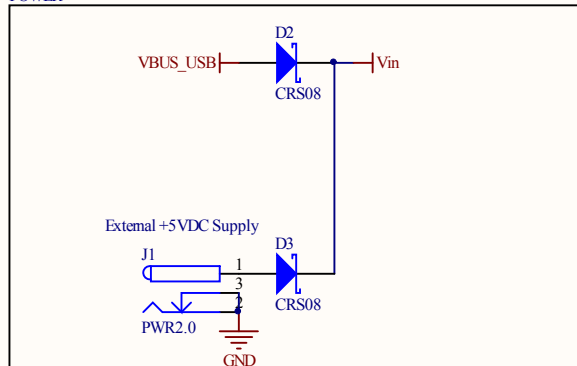
USB to RS232



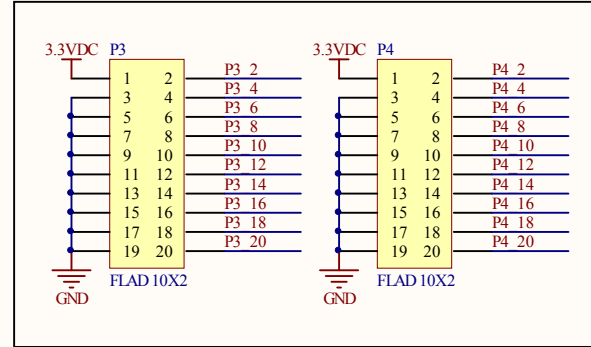
TOSNET



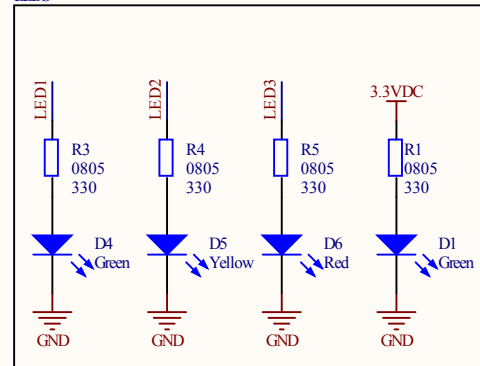
POWER



Ribbon-cable connectors

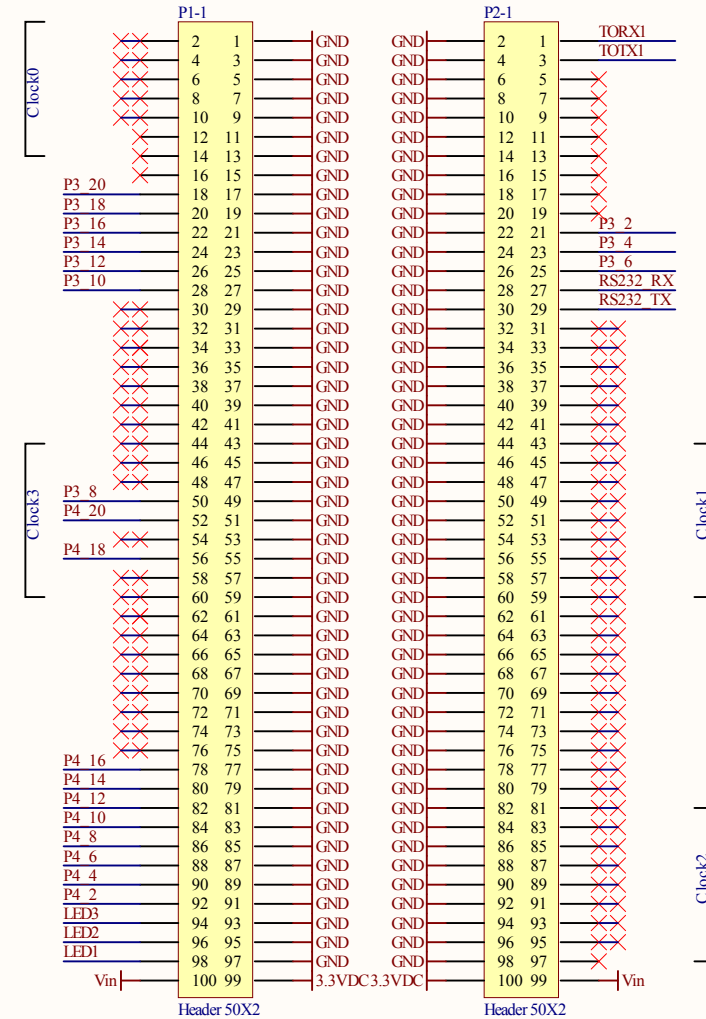


LEDs

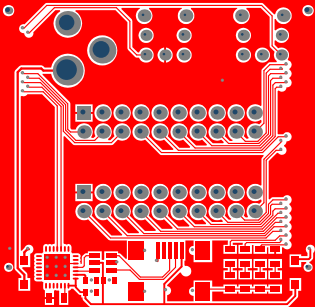


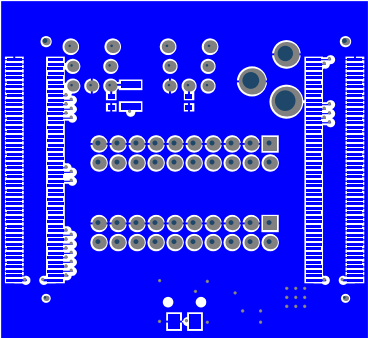
connectors, solder side

✗✗ USED on Composite board



Title 400AN_BaseBoard		
Size A4	Number	Revision
Date: 05-02-2009	Sheet of	
File: C:\Documents and Settings\...\Sheet1.SchDoc	Drawn By: Caalb	





EMBEDIX

U1

TORX

U3

TORX

J1

+5VDC

P3



P4



R1
R2
R3
R4
R5

USBb UART

D2



FW 1 2 3

J2

U4

C4

C5



R2

D3

XC3S400AN FPGA BASE-BOARD
MMMI 02-2009 PCB: Caalib

1-19



1-20



11



12



13

14



D2

PW 1 2 3

C4

C5

R2

D3

P4

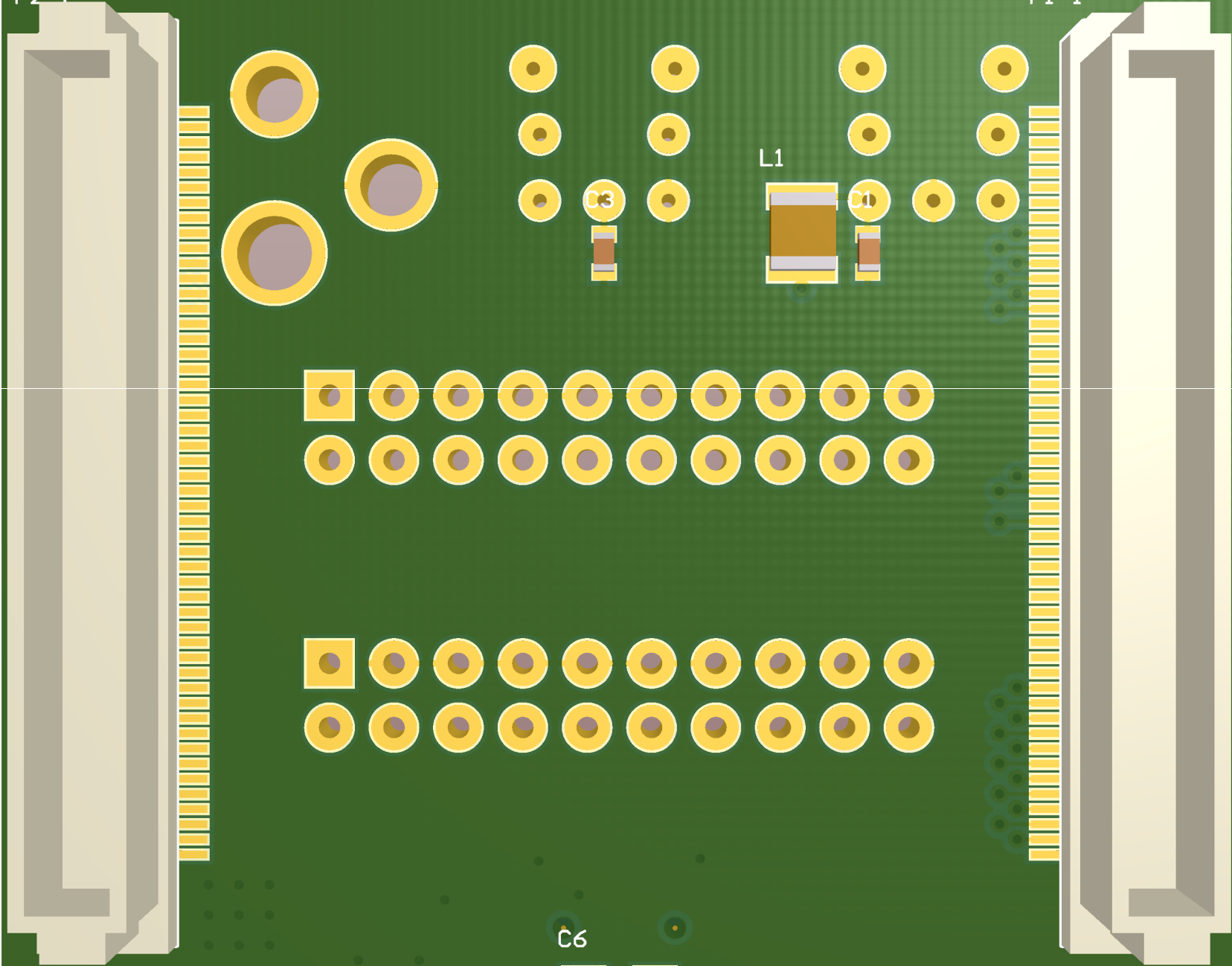
TORX

TORX

XC3S400AN FPGA BASE-BOARD
MMMI 02-2009 PCB: Caalb

P2-1

P1-1



C6

Value	Description	Designator	Footprint	LibRef	Quantity	Dist
100nF	Capacitor	C1, C3	0603C	Cap	2	
1uF	Capacitor	C2, C4, C5	0603C	Cap	3	
	FX8C-100S-SV(91)	P1-1, P2-1	FX8C-100P-SV6(91)	Header 50X2	2	
	Green	D1, D4	LED0805	LED0	2	
	Header, 10-Pin, Dual Row	P3, P4	HDR2X10 FLAD	Header 10X2	2	
47uH	Inductor	L1	1210C	Inductor	1	Farnell: 145-7868
	Low Voltage Power Supply Connector	J1	DC FATN Ø.0	PWR2.5	1	
	Optic Receiving module	U1	TOTX147	TORX147	1	Farnell: 1225768
	Optic Transmitting module	U3	TOTX147	TOTX147	1	Farnell: 1225773
10uF	Polarized Capacitor (Radial)	C6	Tantal size B	Cap Pol1	1	
	Red	D6	LED0805	LED0	1	
330	Resistor	R1, R3, R4, R5	0805R	Res2	4	
4K7	Resistor	R2	0805R	Res2	1	
	Schottky Rectifier	D2, D3	CRS08	Diode 11DQ03	2	Farnell: 1300796
	USB mini socket	J2	Mini USB SMD F:1243250	USB mini socket	1	Farnell: 1243250
	USB-TO-UART BRIDGE	U2	MLP-28	CP2102	1	Farnell: 9282130
	VERY LOW CAPACITANCE ESD PROTECTION	U4	SOT23-6	USBLC6-2	1	Farnell: 1269406
	Yellow	D5	LED0805	LED0	1	