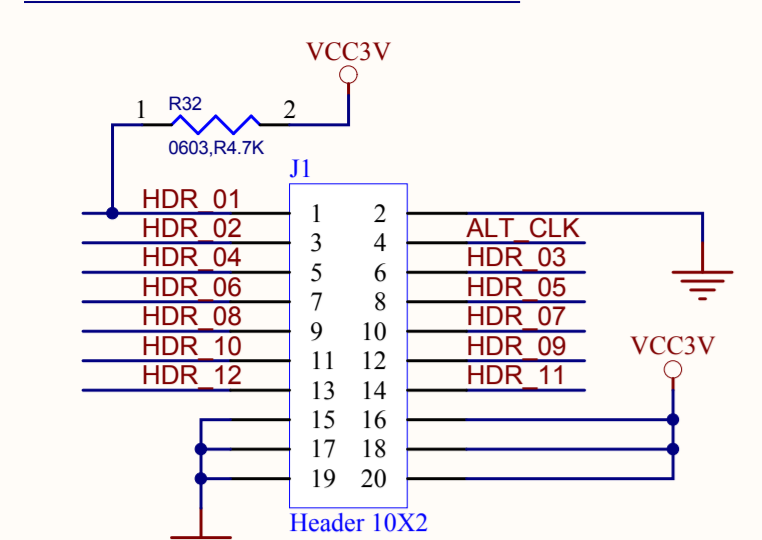
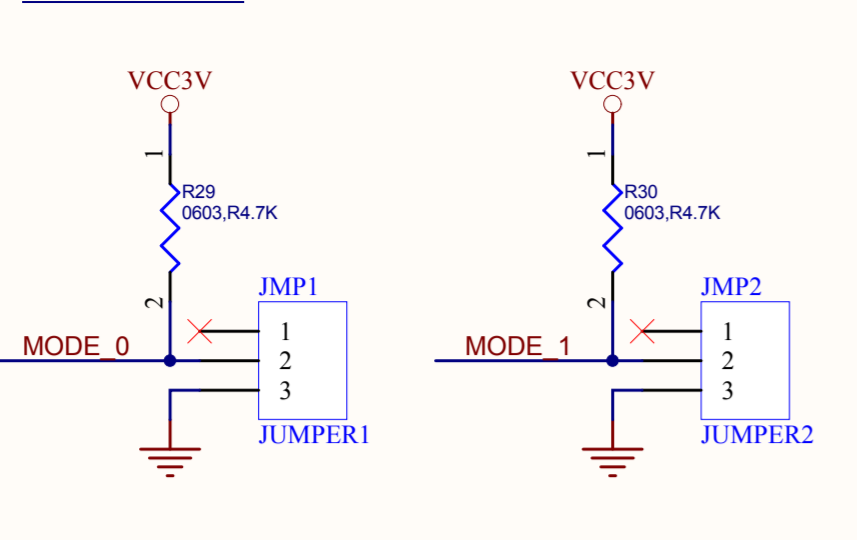


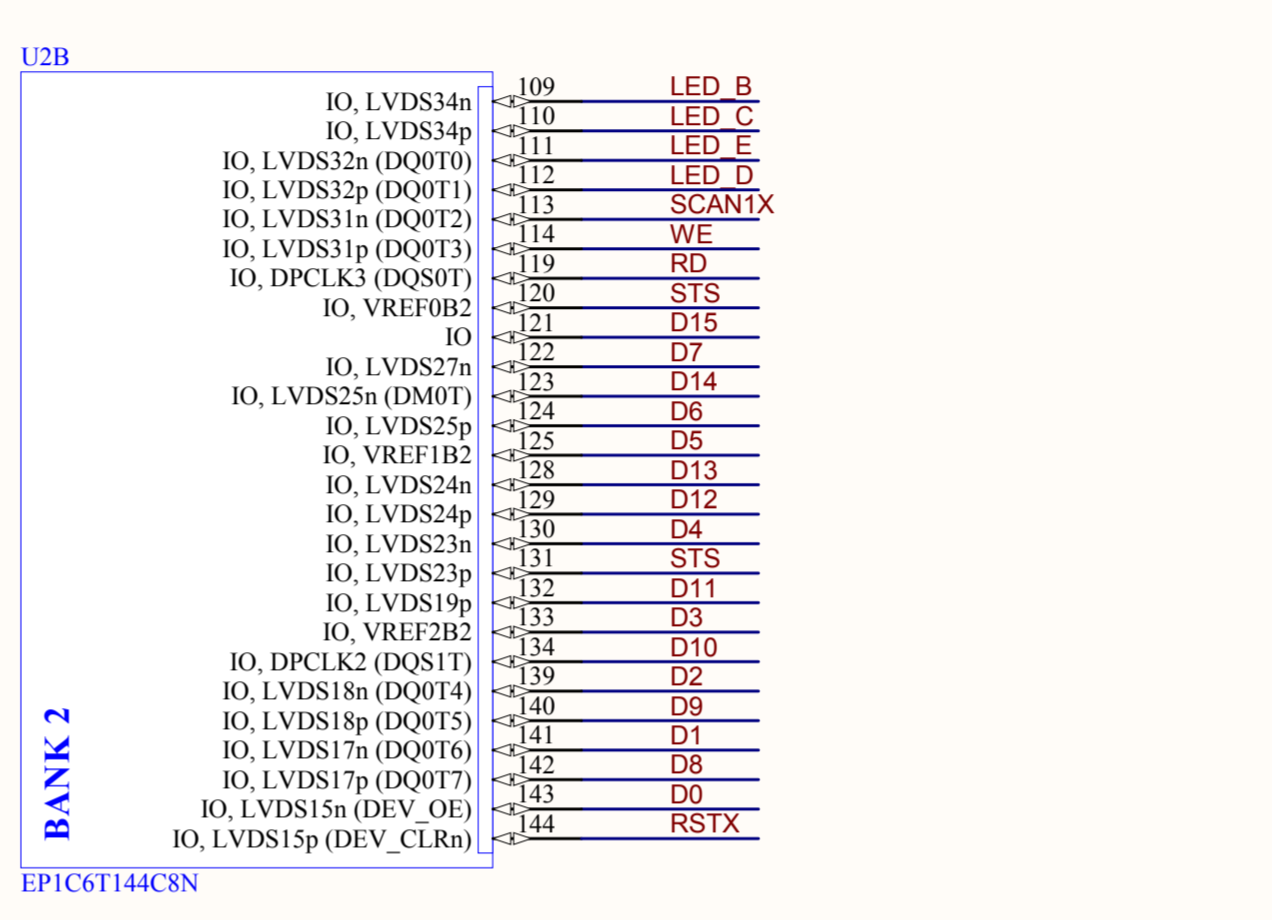
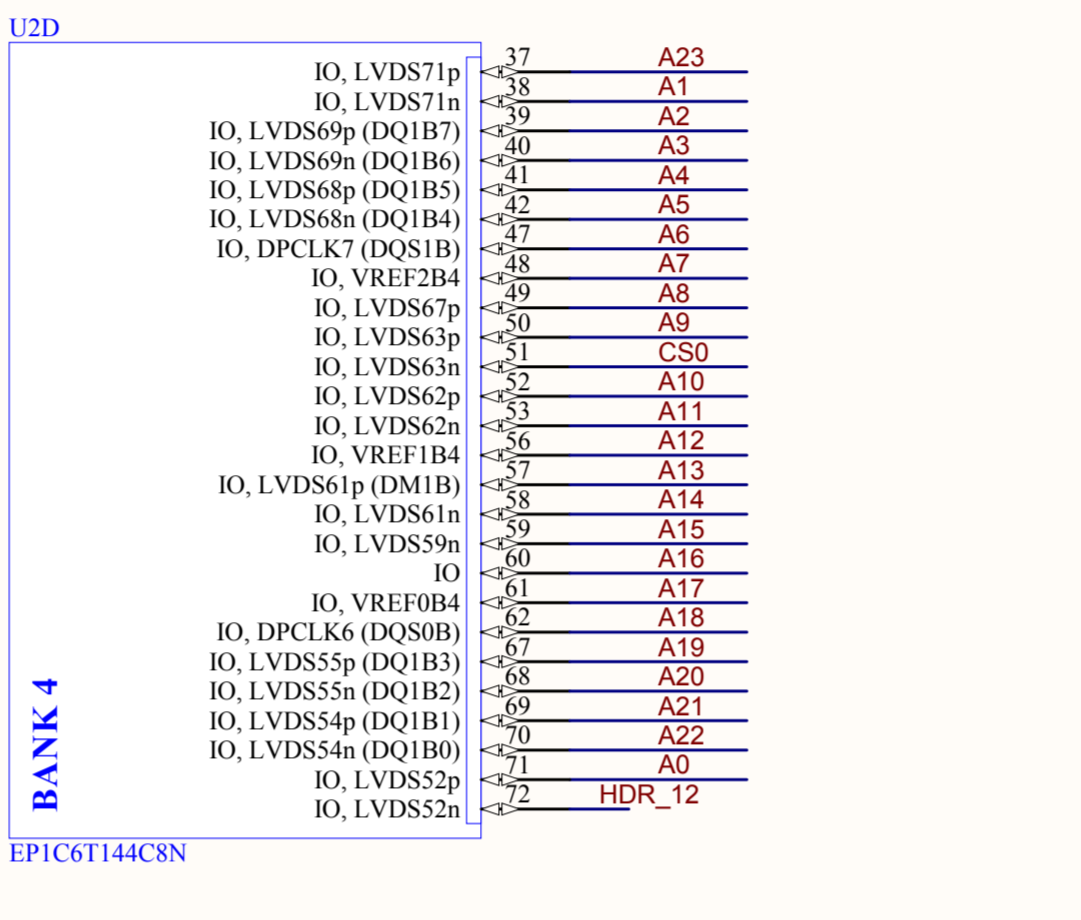
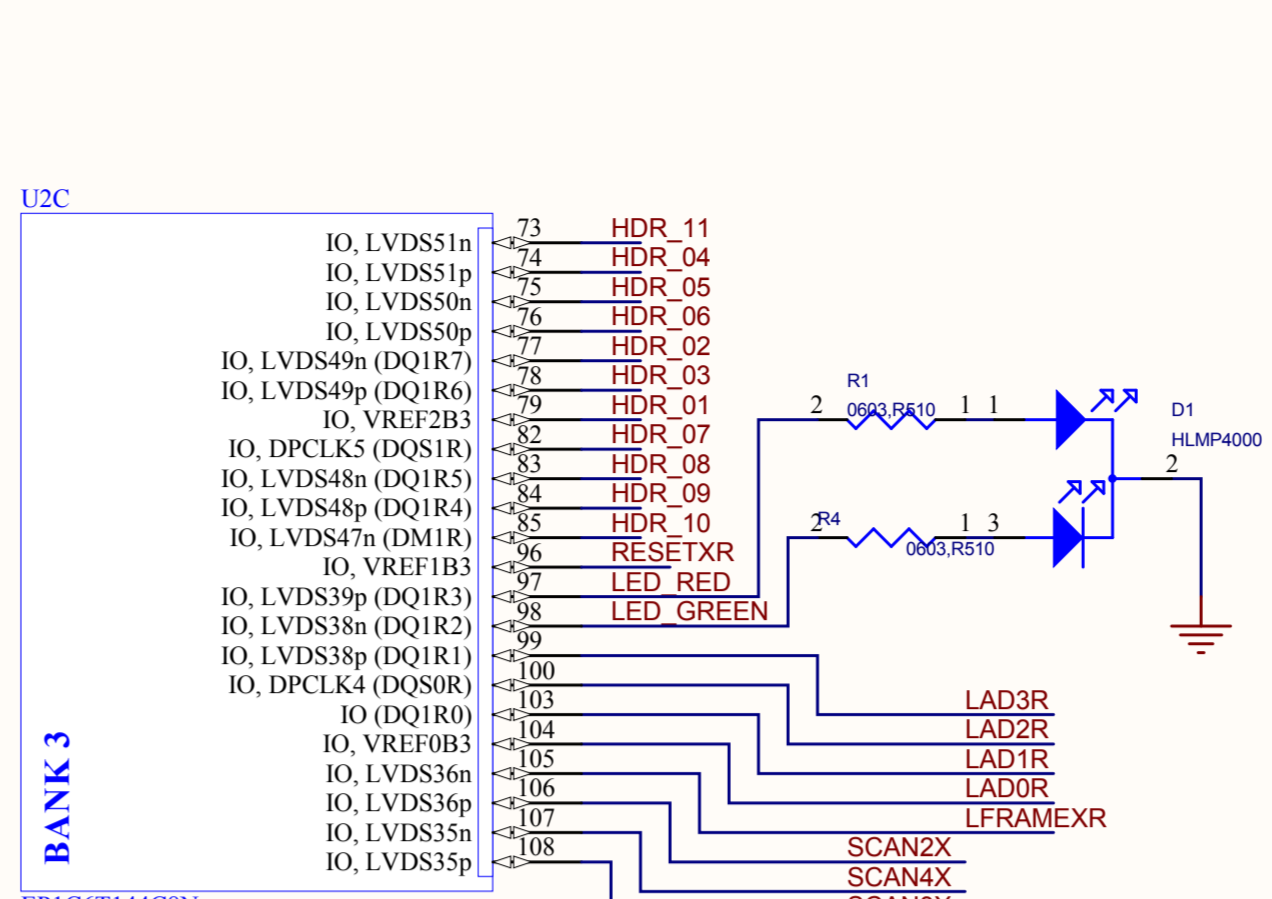
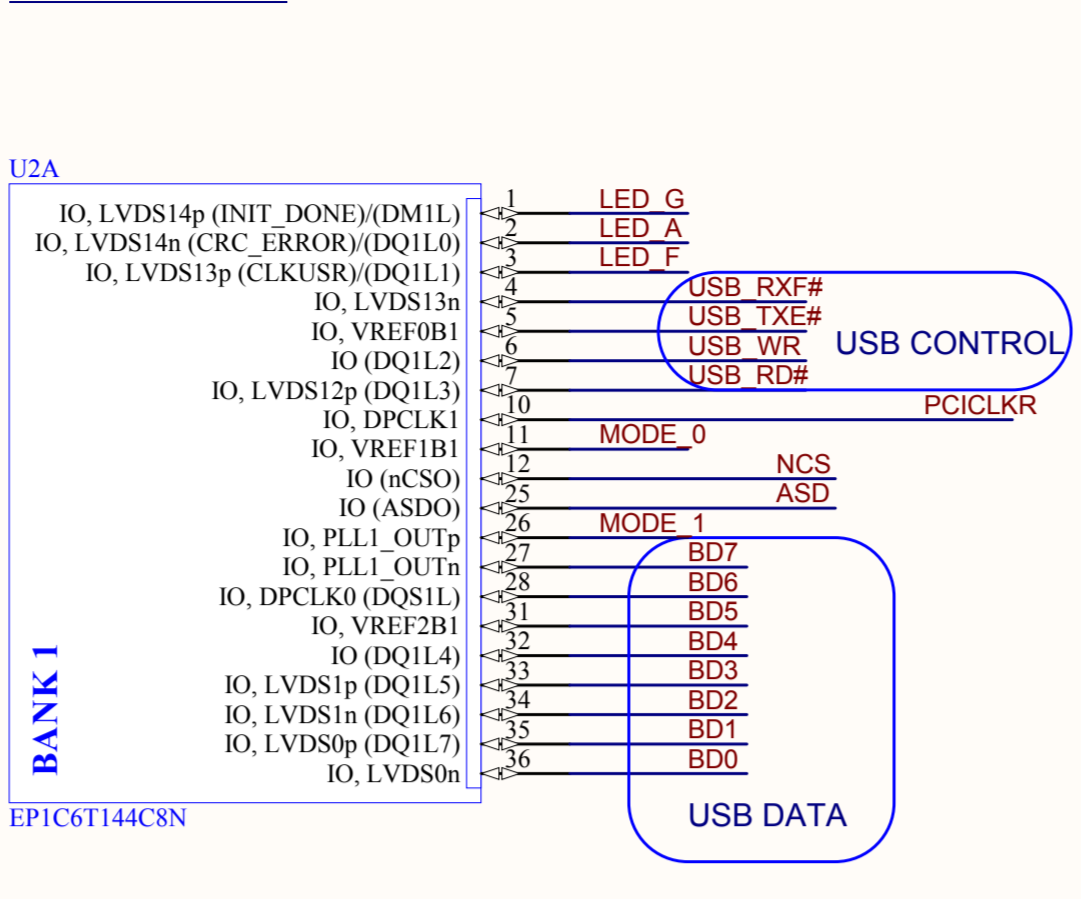
UNUSED EPIC6T144C8N I/O PINS



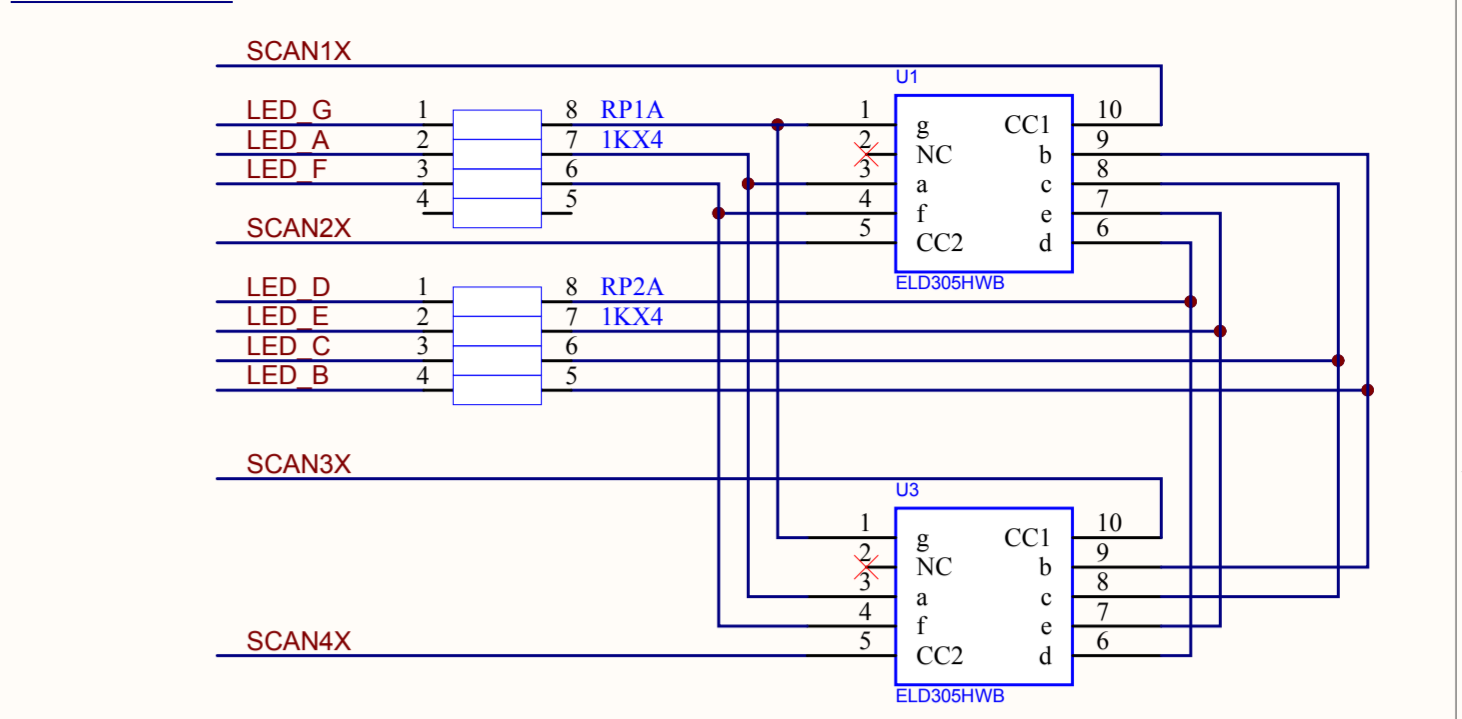
MODE SELECT



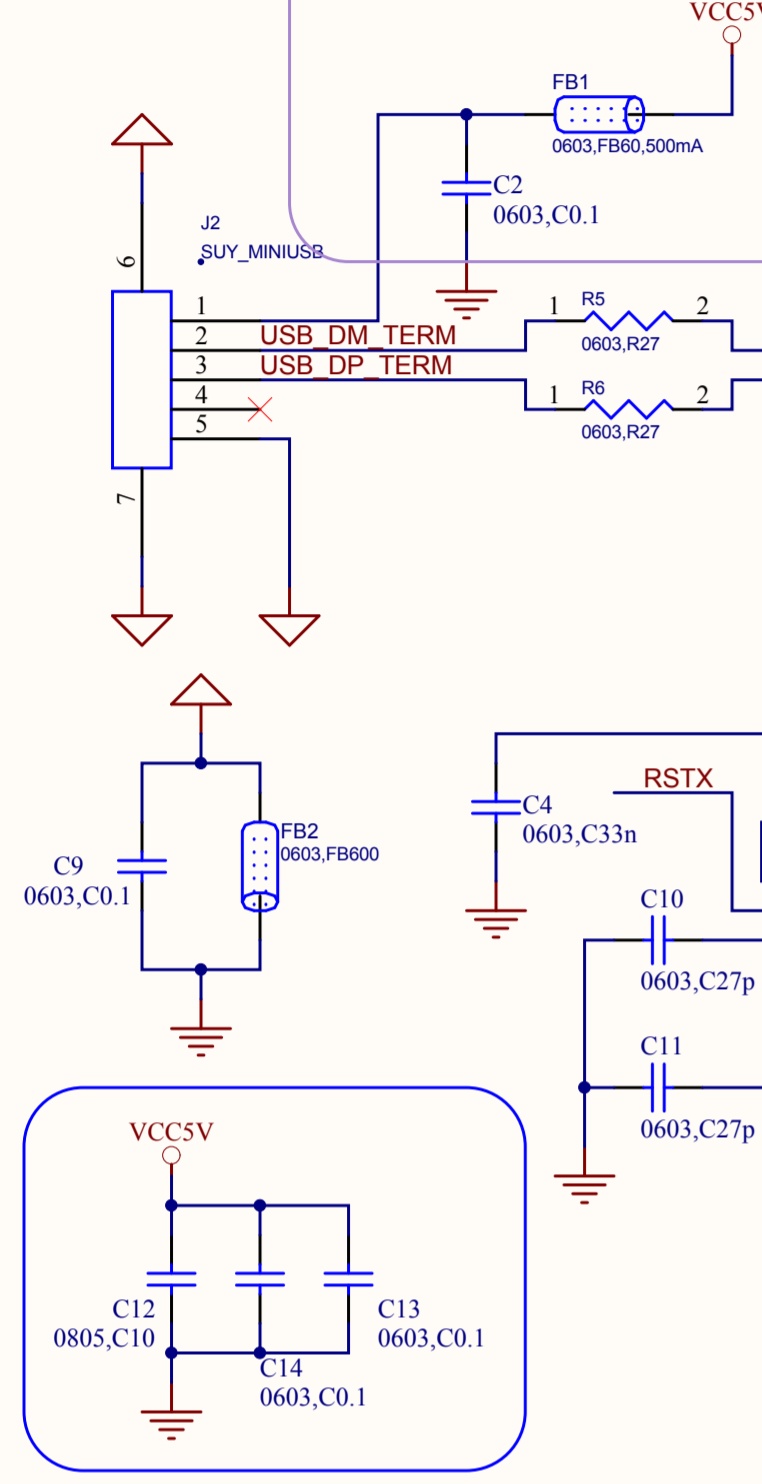
EPIC6T144C8N I/O



LED DISPLAYS

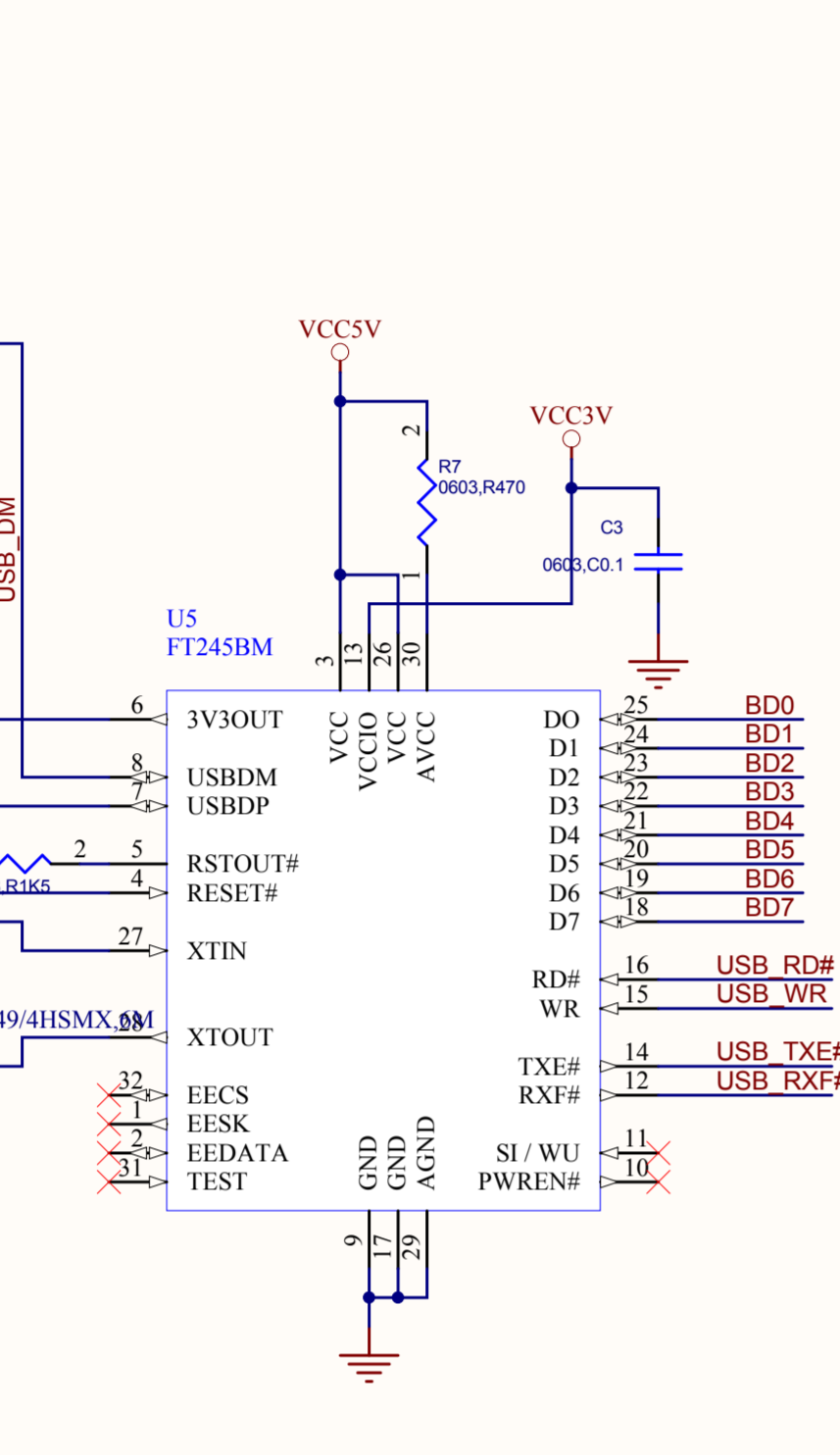


5VDC SOURCE

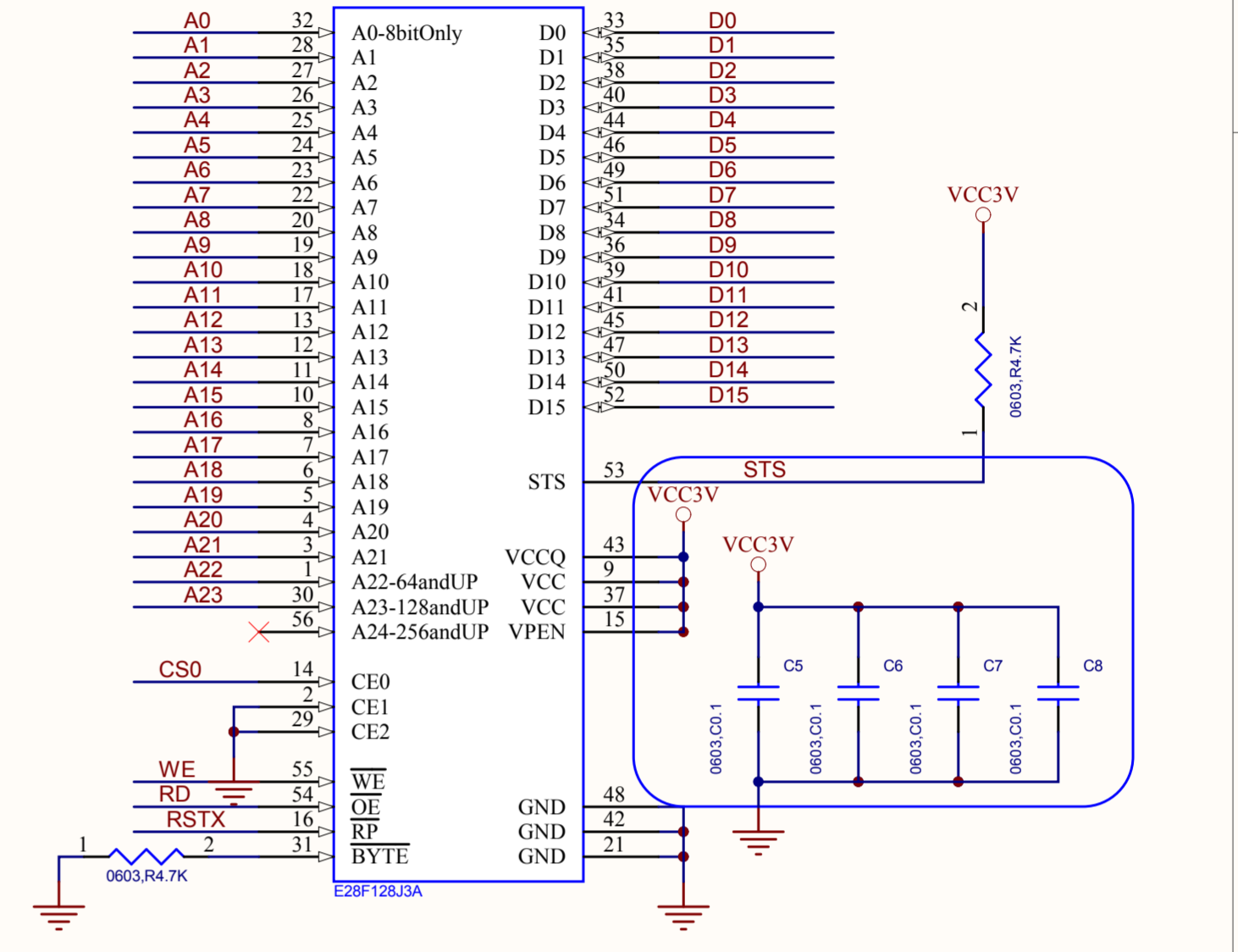


FT245BM (U5) Supply Voltage Decoupling Capacitors

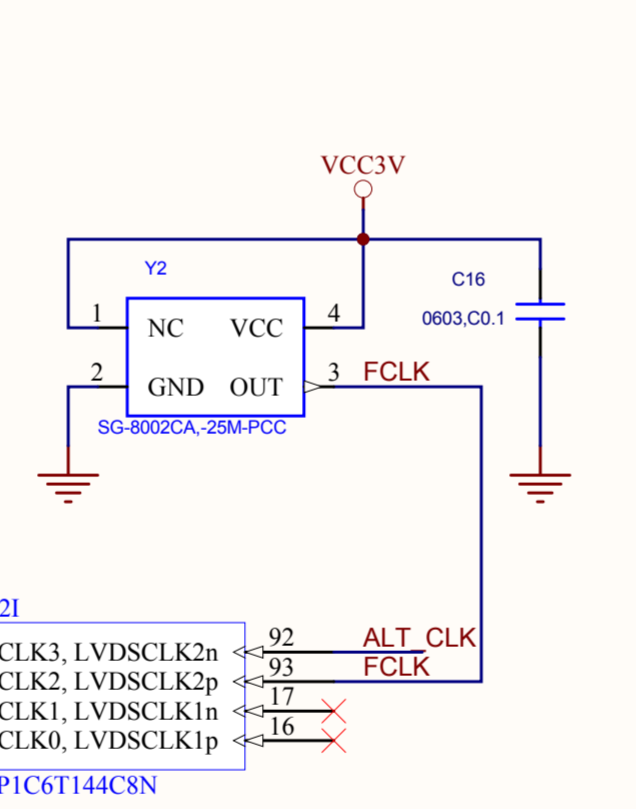
USB INTERFACE



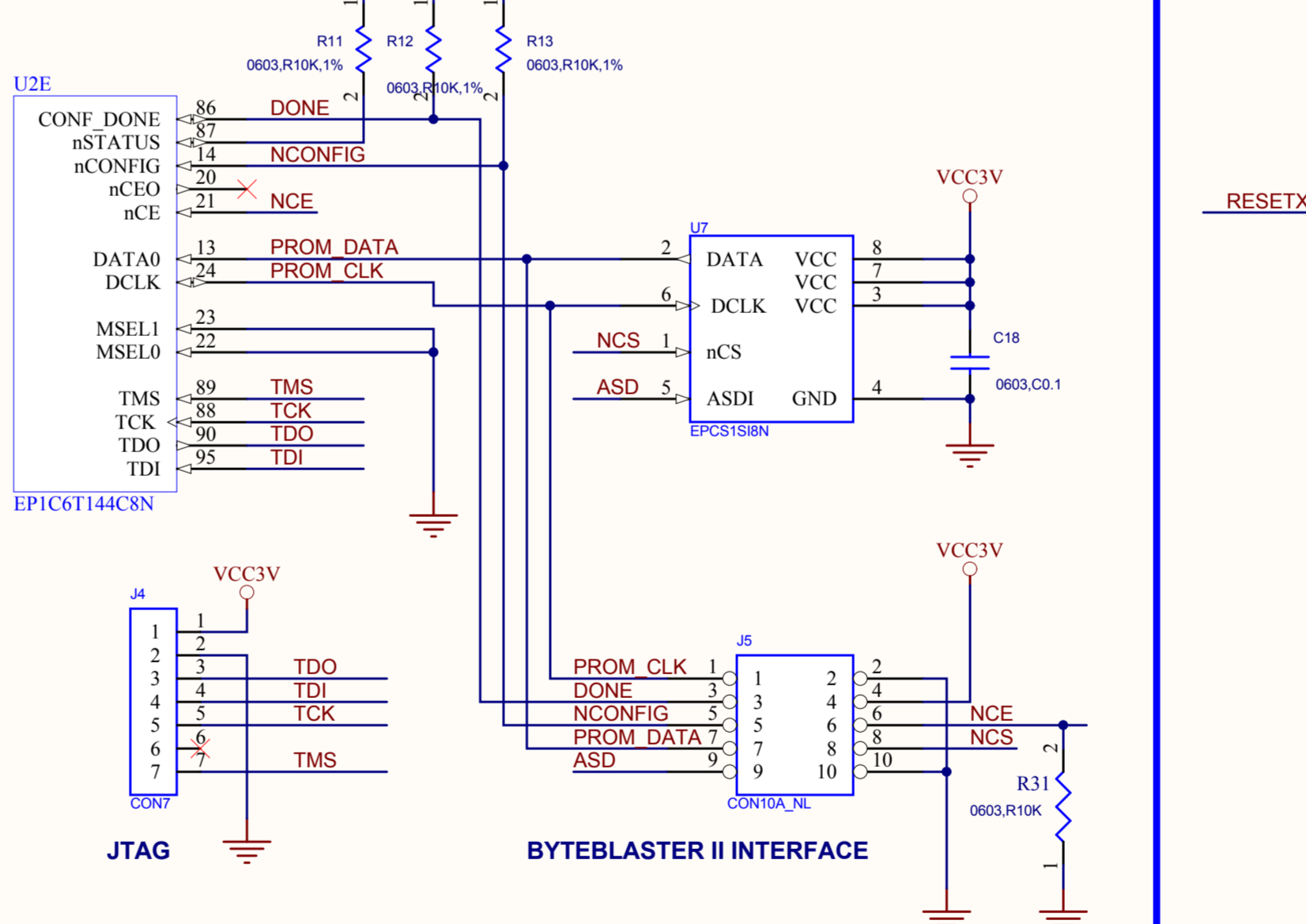
FLASH



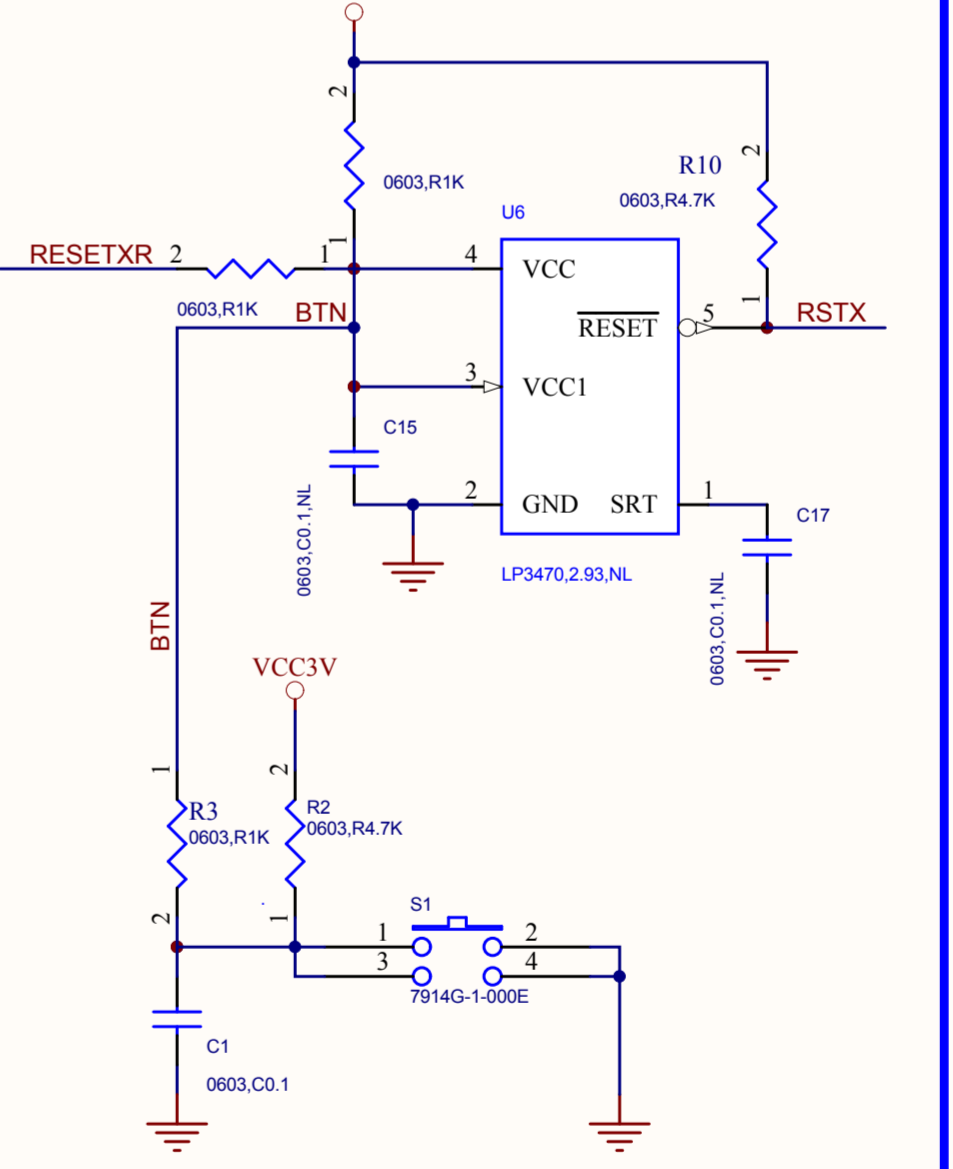
FPGA CLOCK



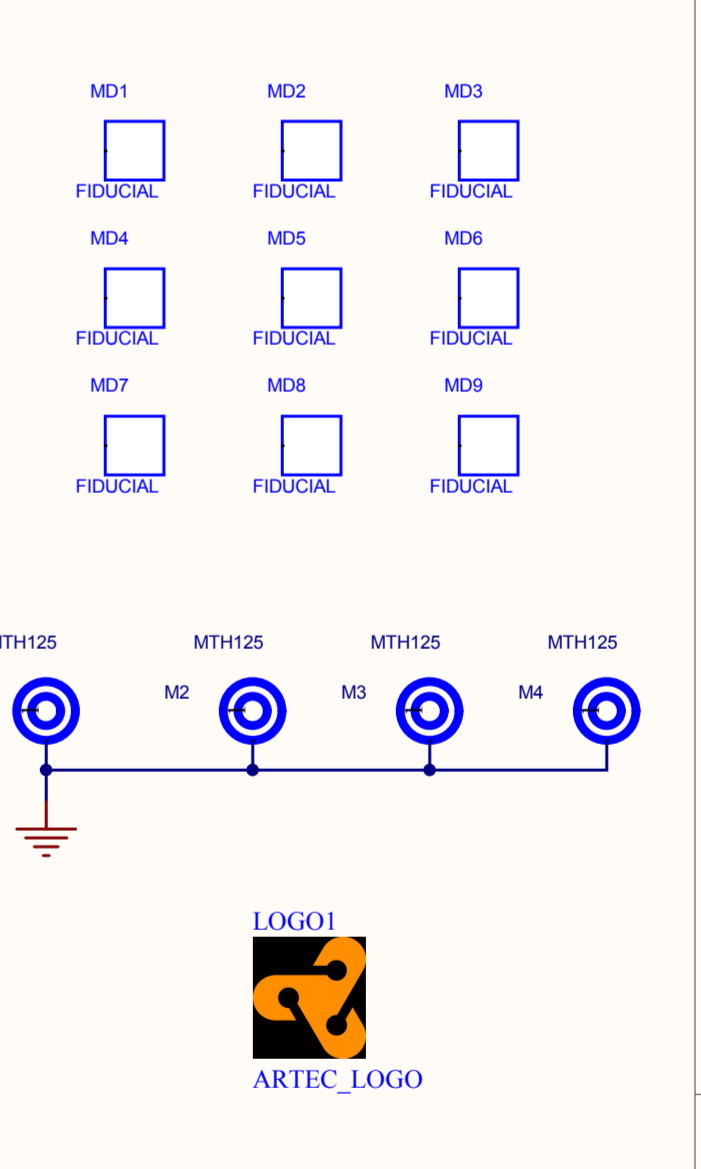
CONFIGURATION CIRCUIT & JTAG



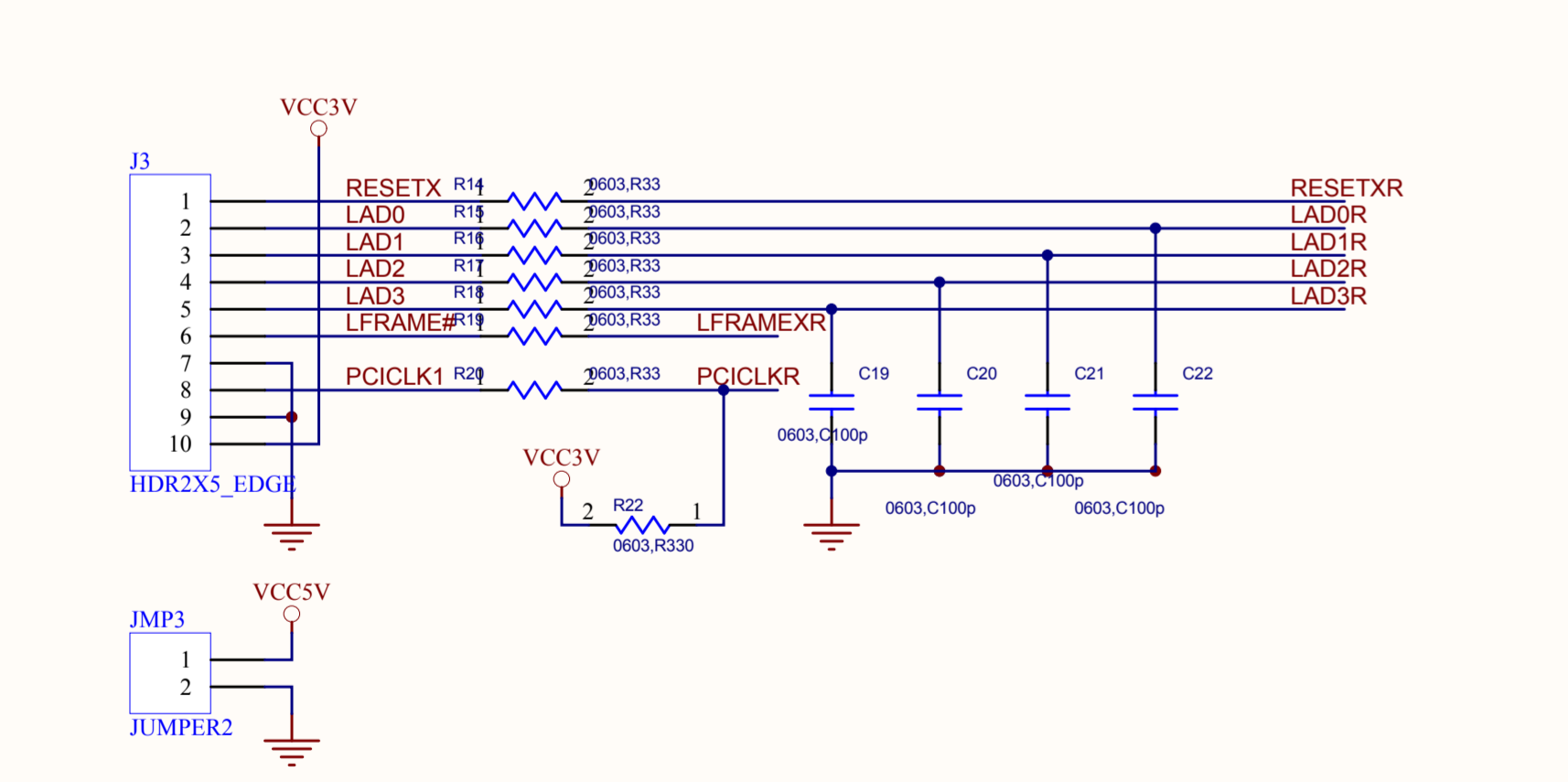
RESET CIRCUIT



MECHANICAL



LPC PORT



POWER SECTIONS

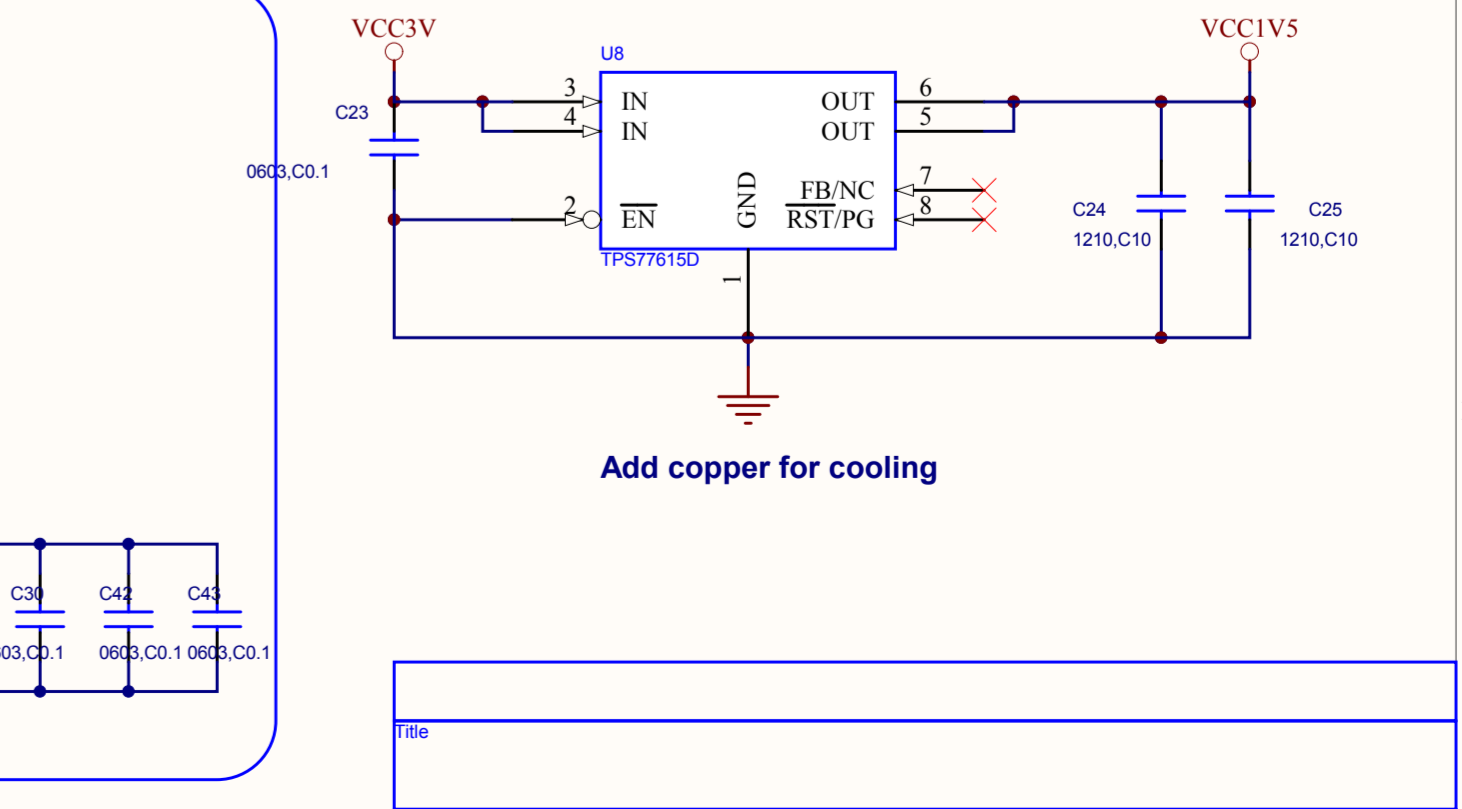
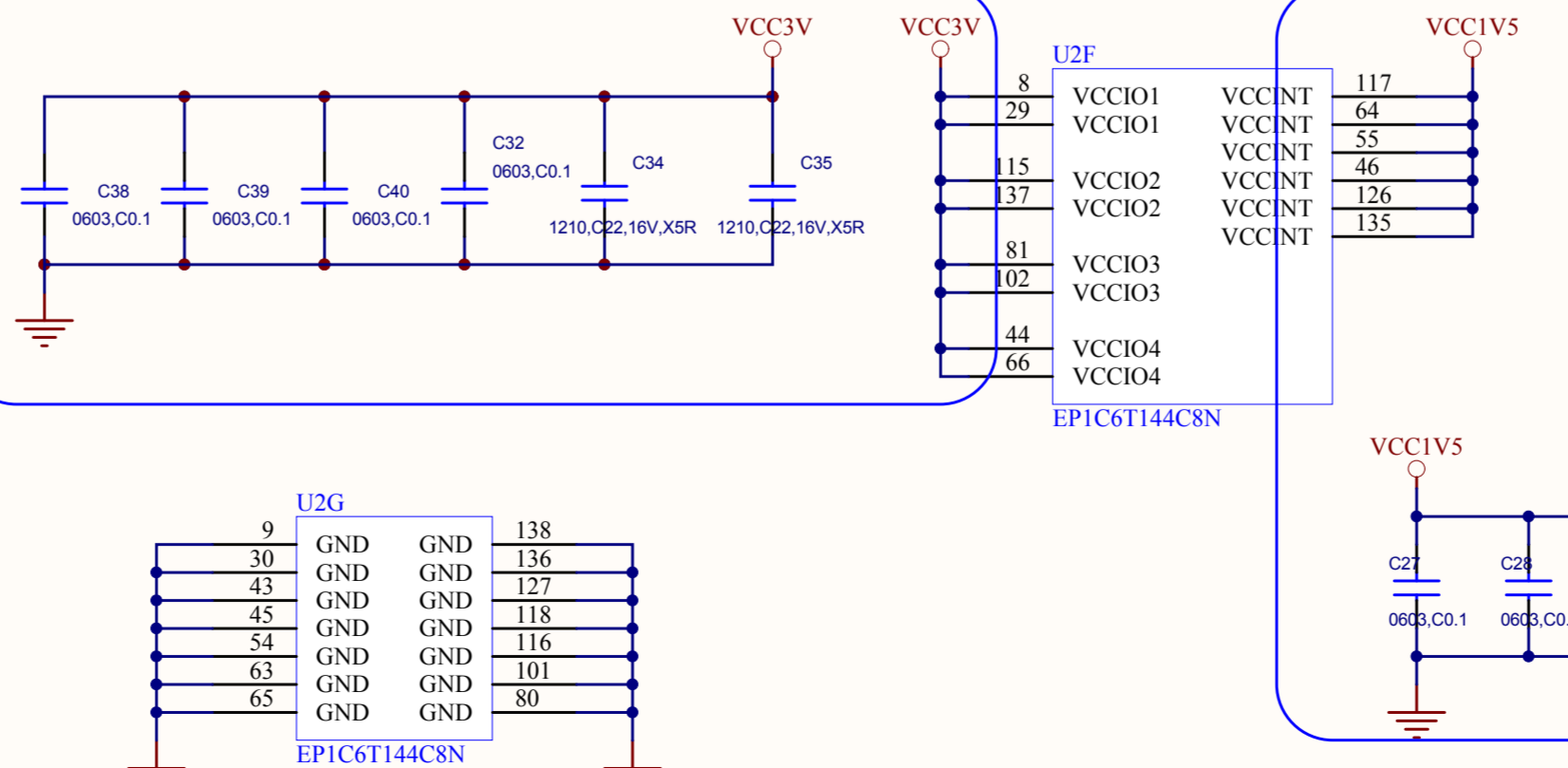
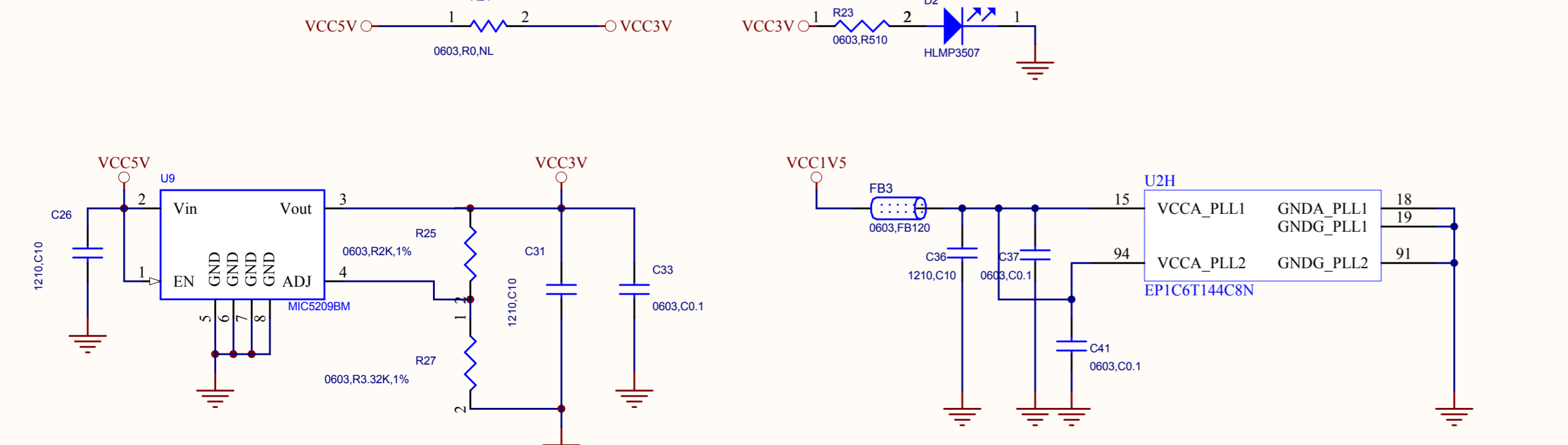


Table with columns for Title, Document Number, Rev, Date, Sheet, and of.