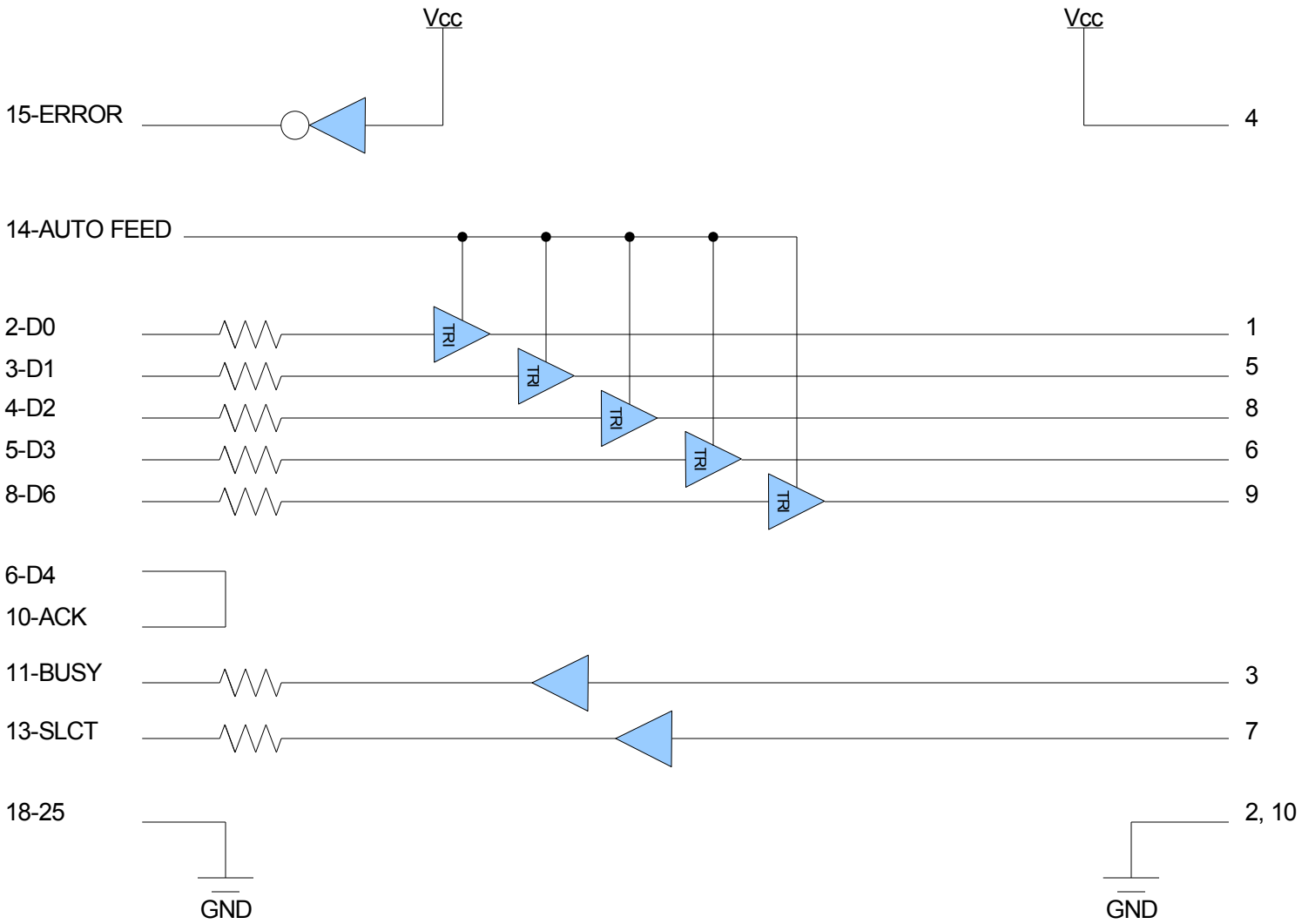


### LPT port

### ByteBlaster II pins



\* Series resistors typically 100  $\Omega$   
Target device (EPCS1) pins are 3.3V tolerant  
VCC = 3.3 V