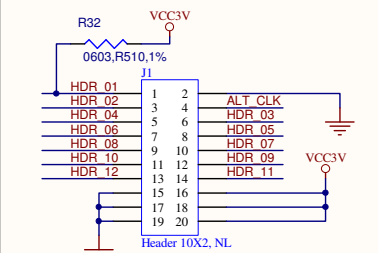
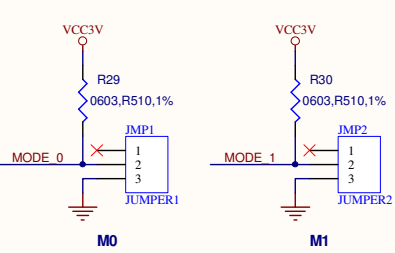


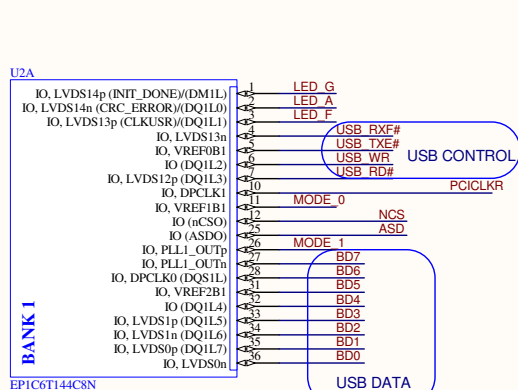
UNUSED EPIC6T144C8N I/O PINS



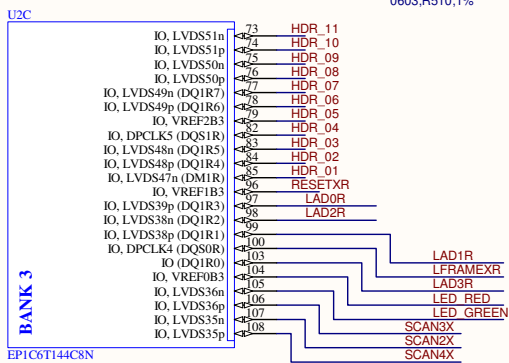
MODE SELECT



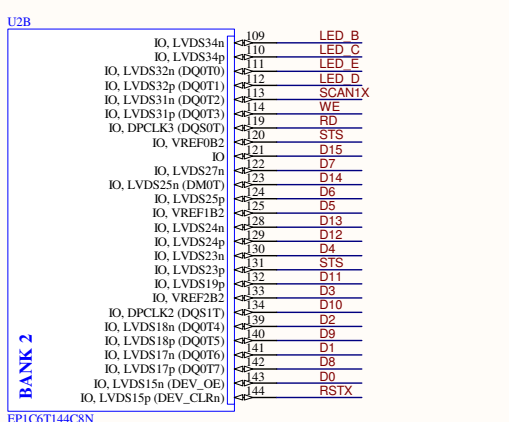
EPIC6T144C8N I/O



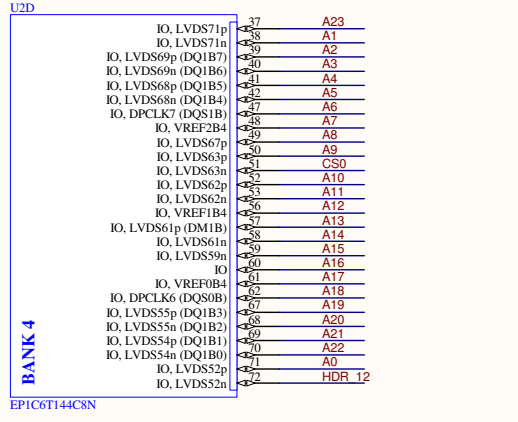
BANK 3



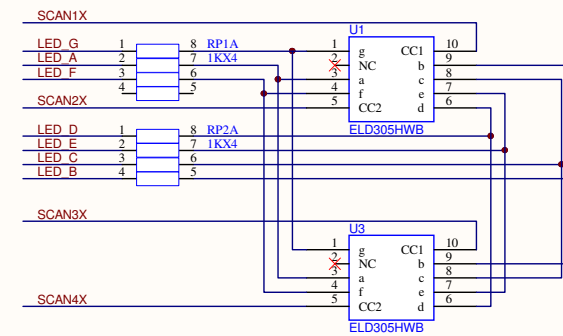
BANK 2



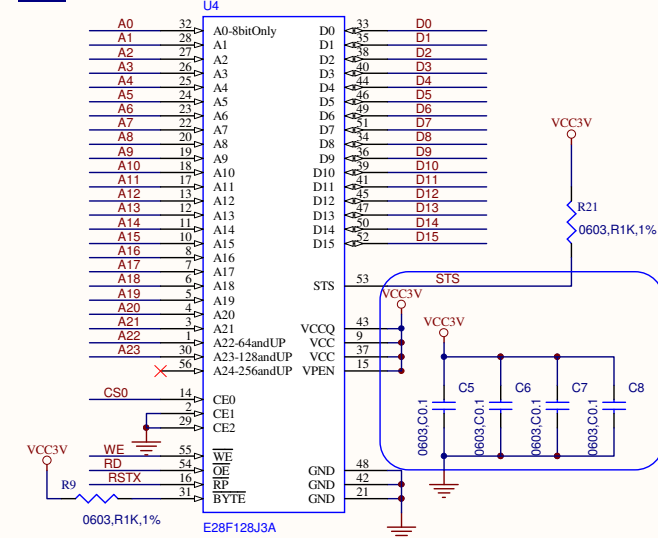
BANK 4



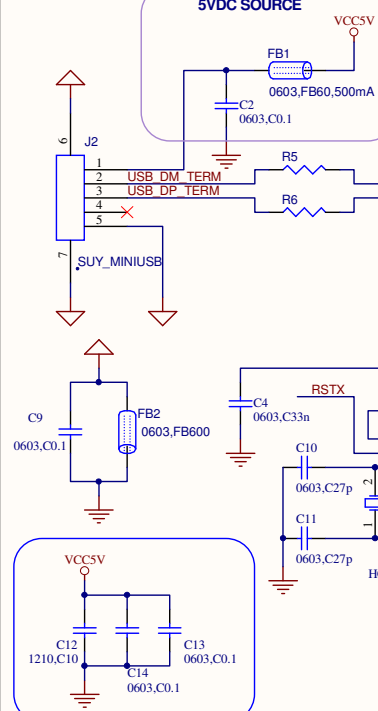
LED DISPLAYS



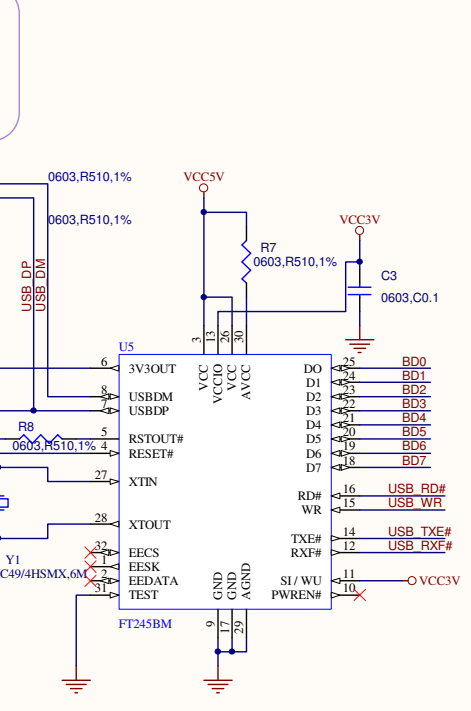
FLASH



5VDC SOURCE

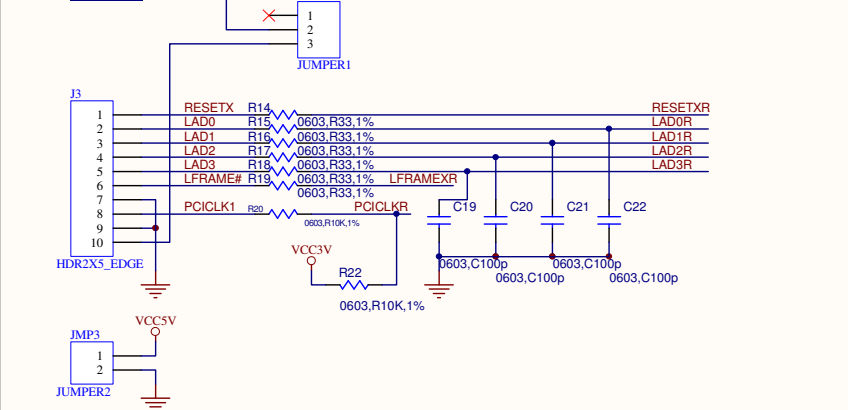


USB INTERFACE

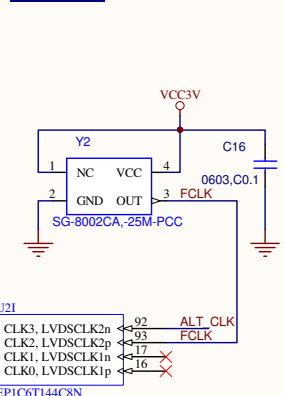


FT245BM (U5) Supply Voltage Decoupling Capacitors

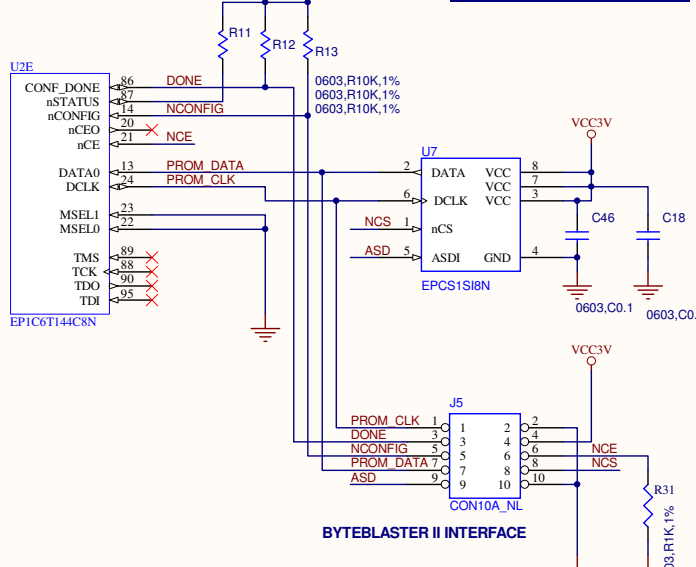
LPC PORT



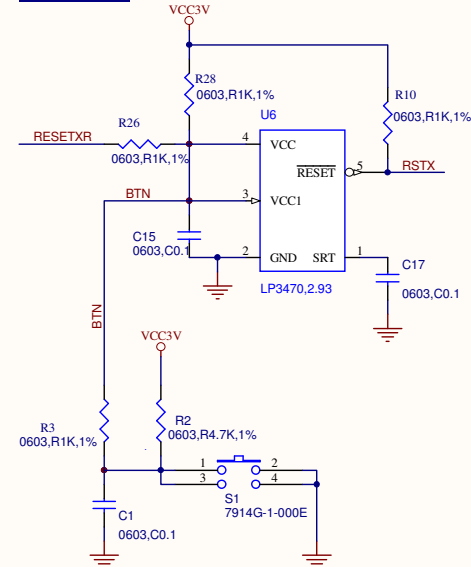
FPGA CLOCK



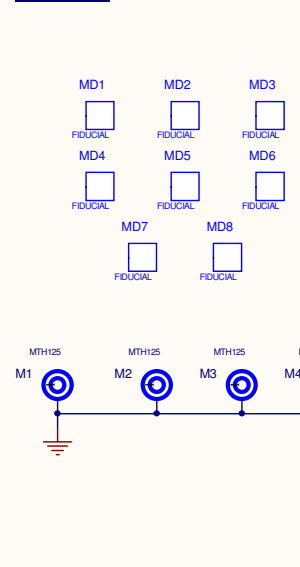
CONFIGURATION CIRCUIT & JTAG



RESET CIRCUIT



MECHANICAL



POWER SECTIONS

