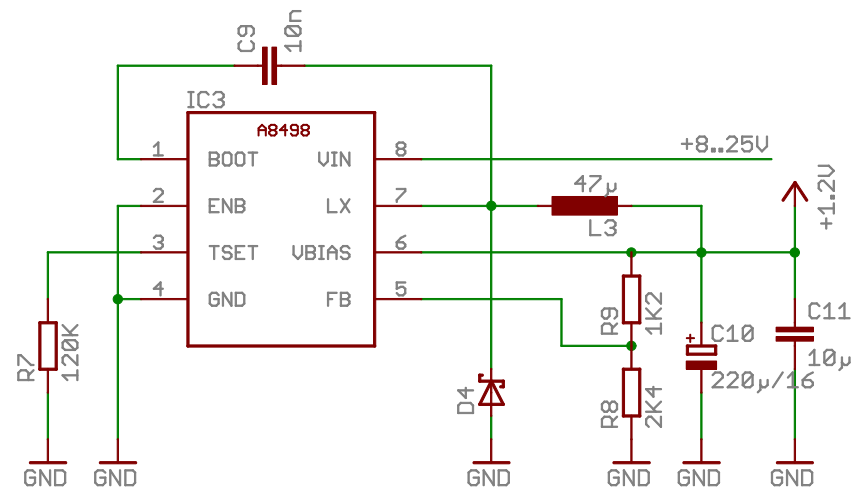
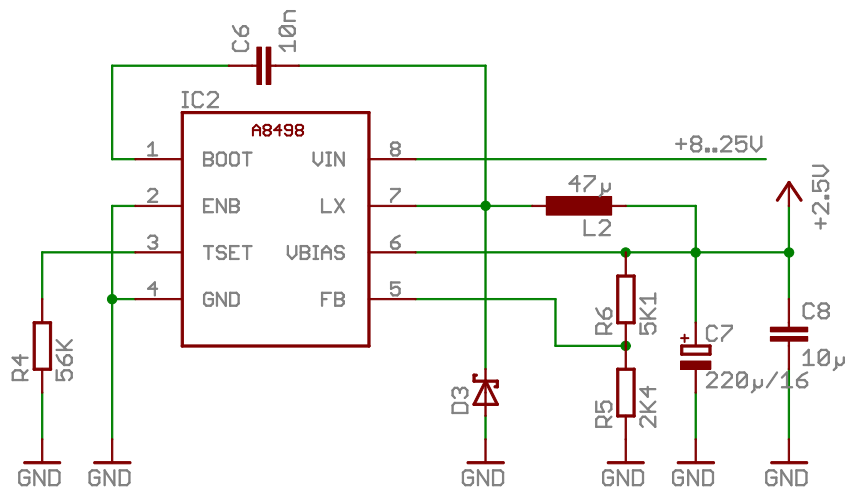
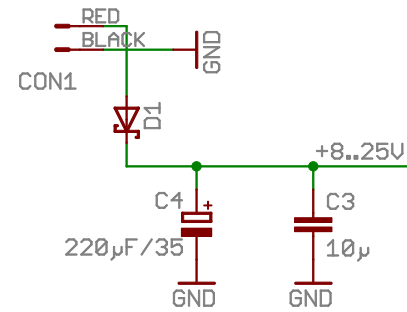
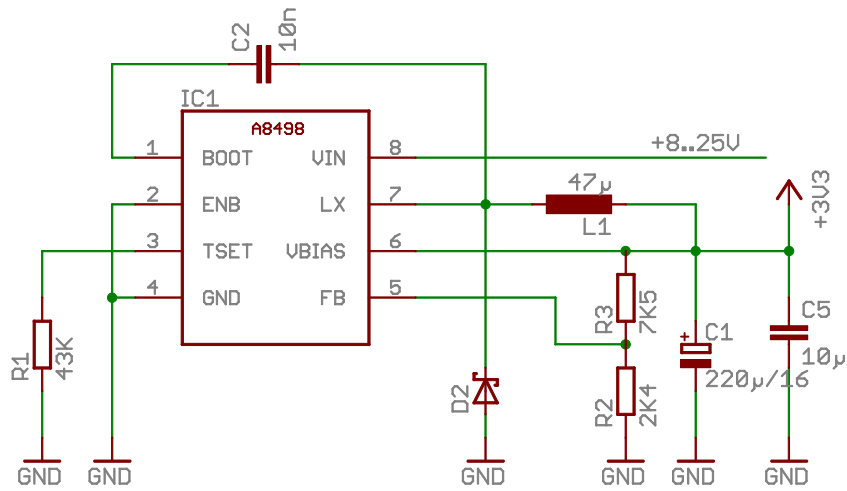
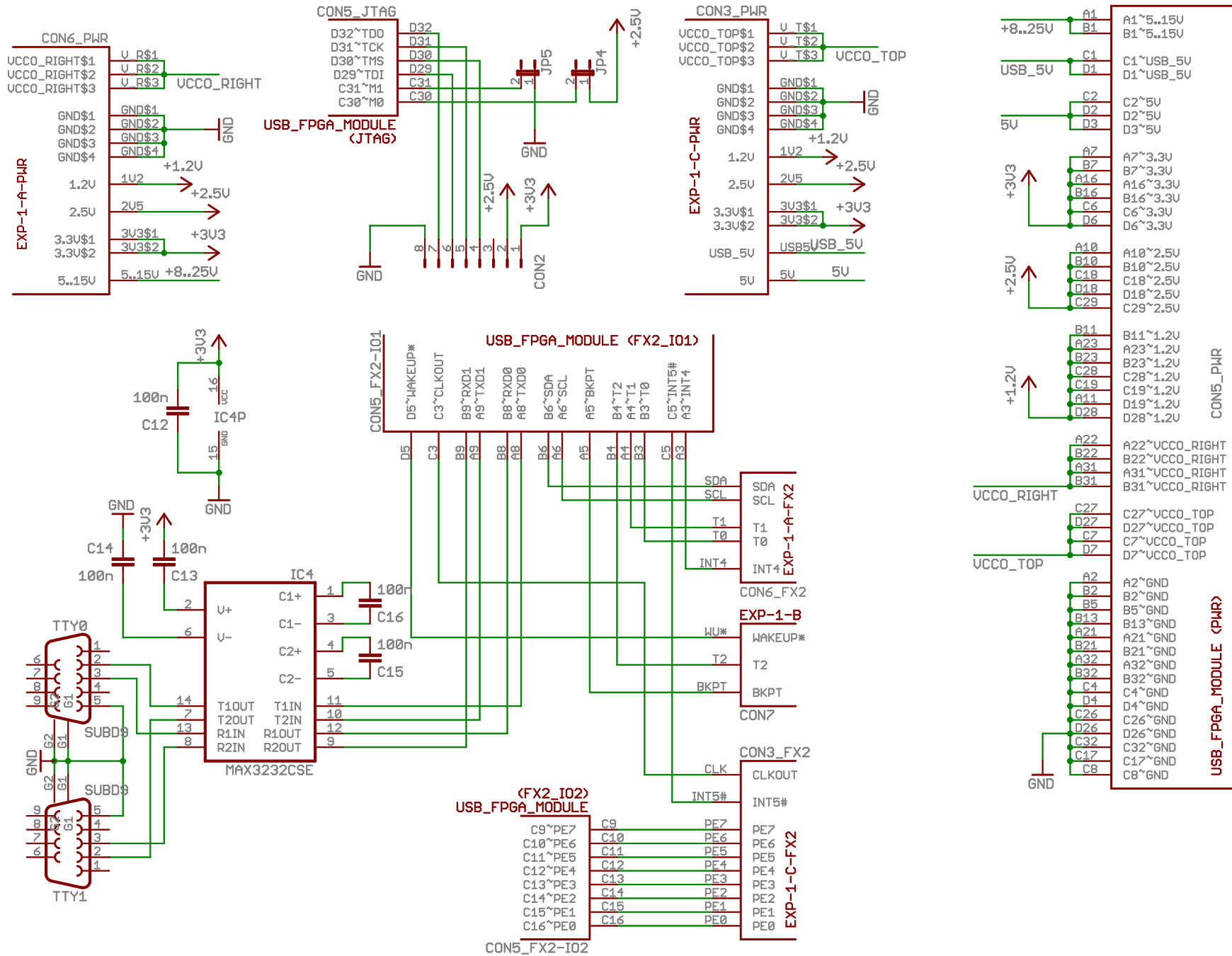


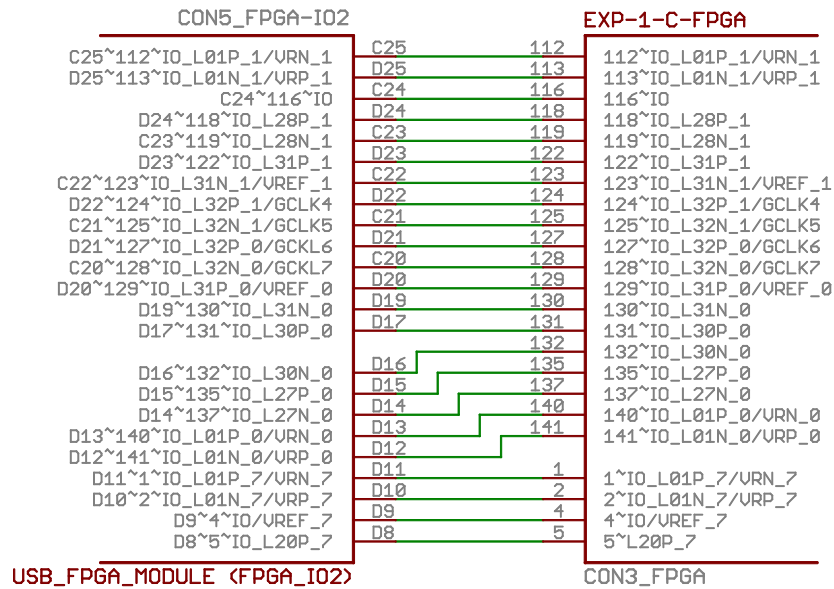
Circuit diagram of ZTEX Experimental Board 1.1

Contents:

Sheet 1	Voltage regulators
Sheet 2	JTAG and power interfaces, serial driver
Sheet 3	I/O interface



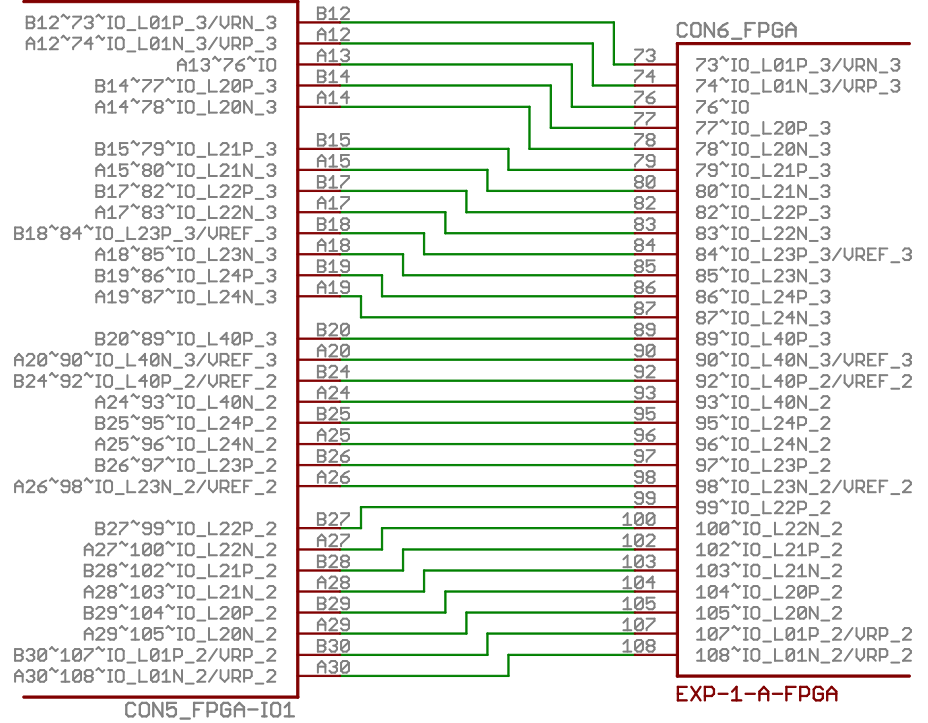




USB_FPGA_MODULE (FPGA_I02)

CON3_FPGA

USB_FPGA_MODULE (FPGA_I01)



CON5_FPGA-I01

EXP-1-A-FPGA