

# Ethernet IP Core Product Brief

## Introduction

The Ethernet IP Core is a 10/100 Media Access Controller (MAC). It consists of a synthesizable Verilog RTL core that provides all features necessary to implement the Layer 2 protocol of the Ethernet standard. It is designed to run according to the IEEE 802.3 and 802.3u specifications that define the 10 Mbps and 100 Mbps Ethernet standards, respectively.

## Features

The core provides the following features:

- Flow control and automatic generation of control frames in full duplex mode (IEEE 802.3x)
- Collision detection and auto re-transmission on collisions in half duplex mode (CSMA/CD protocol)
- Automatic 32-bit CRC generation and checking
- Preamble generation and removal
- Complete status for TX/RX packets
- IEEE 802.3 Media Independent Interface (MII)
- WISHBONE SoC Interconnection Rev. B compliant interface

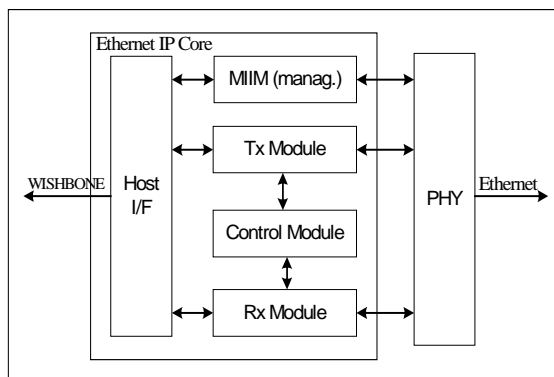


Figure 1: Core Architecture Overview

## General Description

### Architecture

Adjoining figure shows the general architecture of the Ethernet IP core. It consists of several building blocks:

- TX Ethernet MAC (transmit function) block with the CRC generator
- RX Ethernet MAC (receive function) block with the CRC generator
- MAC control block
- Management block (MIIM)
- Host interface

### TX and RX Modules

The TX and RX modules provide full transmit and receive functionality. CRC generators are incorporated in both modules for error detection purposes. The modules also handle preamble generation and removal. Padding occurs automatically (when enabled) in compliance with the IEEE 802.3 standard. When enabled, packets greater than the standard can be transmitted.

### Control Module

The control module provides full duplex flow control, according to the IEEE 802.3u standard. Flow control is achieved by transferring the PAUSE control frames between the communicating stations.

### Management Module (MIIM)

The management module provides the standard IEEE 802.3 Media Independent Interface (MII) that defines the connection between the PHY and link layers. Using this interface, the device (RISC) connected to the host interface can force PHY to run at 10 Mbps versus 100 Mbps or to configure it to run at full versus half duplex mode.

### WISHBONE Interface

The WISHBONE interface connects the Ethernet core to the RISC and to external memory. The core is WISHBONE SoC Interconnection specification Rev. B compliant. The

implementation realizes a 32-bit bus width and does not support other bus widths.

## Utilization

The table in this section lists the intended applications of the different cores.

Core	FPGA Size	Silicon Area	Speed	Power Consumption

OpenCores reserves the right to make changes in specifications at any time and without notice. The information furnished by OpenCores in this publication is believed to be accurate and reliable. No responsibility, however, is assumed by OpenCores for its use, nor for any infringements of patents or other rights of third parties resulting from its use. This product is intended for use in normal commercial applications. Use of this product in applications such as life-support or life-sustaining equipment is at your own risk.