

Interface VGA80x40

Summary

This VHDL macro is a simple monochrome text-mode VGA Video Display Adapter (also referred to as video card). This kind of IP core, apart from to let you put text to the screen in your Pico/MicroBlaze SoC designs, may be useful to debug internals of another circuit.

VHDL Macro

```

component vga80x40
  port (
    reset      : in  std_logic;
    clk25MHz   : in  std_logic;
    R          : out std_logic;
    G          : out std_logic;
    B          : out std_logic;
    TEXT_A     : out std_logic_vector(11 downto 0);
    TEXT_D     : in  std_logic_vector(07 downto 0);
    FONT_A     : out std_logic_vector(11 downto 0);
    FONT_D     : in  std_logic_vector(07 downto 0);
    hsync      : out std_logic;
    vsync      : out std_logic;
    ocrx       : in  std_logic_vector(07 downto 0);
    ocry       : in  std_logic_vector(07 downto 0);
    octl       : in  std_logic_vector(07 downto 0);
  );
end component;

```

xc3s400-4ft256 utilization

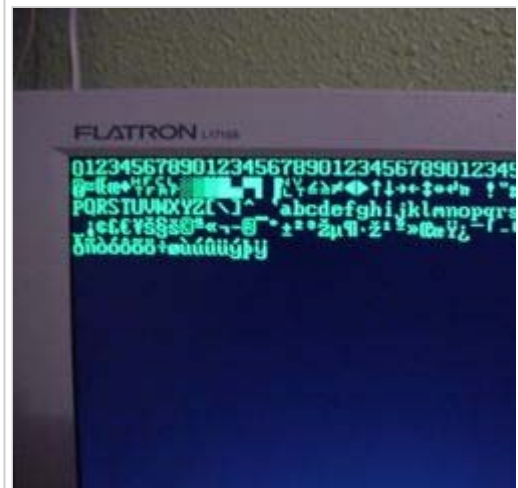
| Element | Used |
|-------------|------------|
| Slices | 100 |
| Flip-Flops | 76 |
| LUTs | 190 |
| Bonded IOBs | 67 |
| Global CLKs | 2 |
| Max Freq. | 141.965MHz |

This VHDL macro is a Text Mode Monochrome Video Display Adapter intended to be used as a PicoBlaze (or other CPU) peripheral. It's not much better than the original IBM MDA card appeared in 1981 ;-)

- resolution of 80x40 characters, dot resolution is 640x480 pixels at 60Hz so the core needs a clock signal of 25MHz. I prefer 80x40 instead the classical 80x25, in my opinion, the latter is an annoyance.
- monochrome, it hasn't "attribute" memory to store the colour of each character. The unique output color is selectable among 8 different colours
- 8-bit ASCII codes (iso-latin-0 or other that you prefer)
- the video text buffer is an external memory of $80 \times 40 = 3200$ bytes. The character at (column, row) = (0, 0) is at the RAM address 0, the character at (79, 39) is at 3199.
- the ROM that store fixed-width bitmap font is also external, the bitmap can be changed modifying the COE file. The COE file provided is iso-8859-15 (also called iso-latin-0), is very similar to the iso-8859-1 but with the Euro (€) symbol added.
- hardware cursor, with two different shapes; with enable/disable control.
- simple IO interface. Three registers
 - CRX. Position (column) for HW cursor
 - CRY. Position (row) for HW cursor
 - CTL. Control register for de/activate the HW cursor, change its shape, de/activate VGA signal, output colour, etc.
- uses 100 slices in a Xilinx Spartan-3.
- the design is vendor-agnostic. You can use it in Xilinx/PicoBlaze, Altera/NIOSII or other non-programmable hardware.



Monochrome Video Display Adapter



Console Font 8x12 iso-8859-15

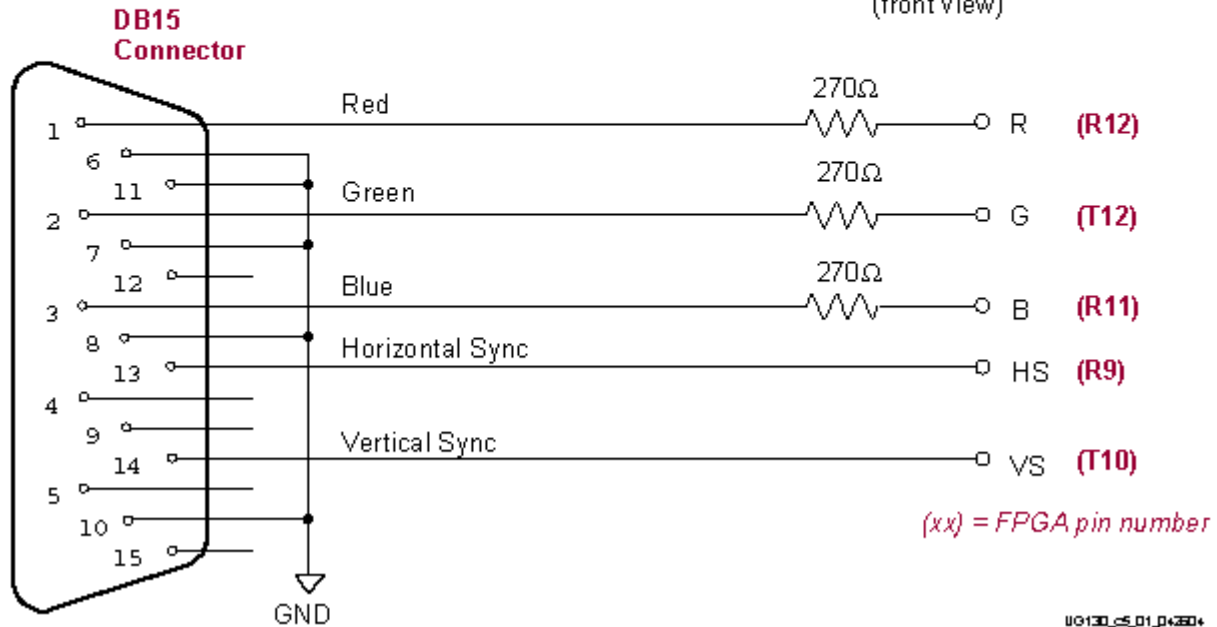
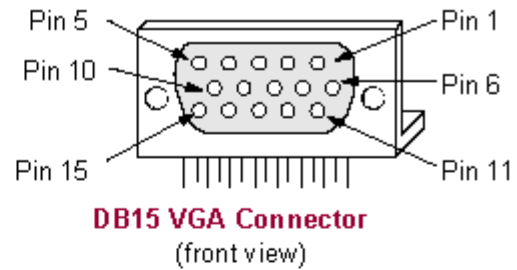
Ports And Usage

The macro has the following ports:

| Port | DIR | Type | Description |
|-----------------|--------|------------|---|
| <i>reset</i> | Input | signal | Asynchronous reset |
| <i>clk25MHz</i> | Input | signal | Clock signal. 25MHz is the pixel clock for the resolution used |
| <i>R</i> | Output | signal | Red color component |
| <i>G</i> | Output | signal | Green color component |
| <i>B</i> | Output | signal | Blue color component |
| <i>hsync</i> | Output | signal | Horizontal sync signal for the VGA monitor |
| <i>vsync</i> | Output | signal | Vertical sync signal for the VGA monitor |
| <i>TEXT_A</i> | Output | 12-bit bus | Address bus for RAM Video Text Buffer |
| <i>TEXT_D</i> | Input | 08-bit bus | Data incoming from RAM Video Text Buffer |
| <i>FONT_A</i> | Output | 12-bit bus | Address bus for ROM font buffer |
| <i>FONT_D</i> | Input | 08-bit bus | Data incoming from ROM font buffer |
| <i>CRX</i> | Input | 08-bit bus | X (column) position of HW cursor. |
| <i>CRY</i> | Input | 08-bit bus | Y (row) position of HW cursor. |
| <i>CTL</i> | Input | 08-bit bus | Control of the peripheral. Bit 7 (MSB) is VGA enable signal. Bit 6 is HW cursor enable bit. Bit 5 is Blink HW cursor enable bit. Bit 4 is HW cursor mode (0 = big; 1 = small). Bits(2:0) is the output color. |

Interface with a VGA monitor

The electrical interface between FPGA and the VGA monitor es very simple, only 3 resistors of 270Ω are needed. The following figure is extracted from S3-Board manual from Xilinx (S3-Board is the development FPGA board that I use)



The input impedance of every signal (R, G, B, HS and VS) line is 75Ω (like TV). The analog video signal is obtained simply through a 270Ω resistor (1-bit DAC) for R, G and B signals. With a digital output of 3.3V (I assume a LVCMOS33 IO STANDARD for your FPGA) the analog voltage outputs are

- with logic "0" at FPGA pin the analog voltage is 0V, that represents black for that colour
- with logic "1" at FPGA pin the analog voltage is $3.3V * 75\Omega / (75\Omega + 270\Omega) = 0.71V$ that represents maximum bright for that primary colour (R, G or B)

The FPGA (or CPLD) normally can drive the VGA signals directly, there's no need of voltage buffer nor other special hardware. The maximum bright in a R, G or B signal is represented by 0.7V. If you use other IO standard like LVCMOS 2.5V, obviously you need to use smaller resistors. With this 3 resistors only 8 colours can be obtained, you can select the output colour among the 8 possible ones with the *CTL(2:0)* register as I already said.

For VGA signal format information, see VGA Video Signal Format and Timing Specifications.

Cheat: One Unique Output Colour

If you can't afford to use 3 FPGA pins for R, G, B signals then connect only one output pin (R, G or B) to the 3 resistors to obtain a nice white output colour, it will be the only possible output color. This saves 2 FPGA pins.

By other hand, to achieve a less brilliant colour, put bigger resistors so that the analog video signal level is below 0.7V.

Interface with PicoBlaze

The interconnection with PicoBlaze is as usual, like any other peripheral:

- Define output (for OUTPUT instruction) registers for *CTL*, *CRX* and *CRY*, decode port_id and write_strobe signal to assert register's Chip Enable control signal.
- Add TEXT and FONT RAM memories. The RAM addresses generated by this macro are ready at least 6 clock cycles ($f=25\text{MHz}$) prior the data is transferred, so the timing shouldn't be a problem, simply assert memory's enable pin forever.

View a complete example of how to use this macro in The Game Of Life for PicoBlaze.

Download



The VHDL source package contains all the design files plus scripts and font. It is at OPENCORES.ORG. This website will have always the latest version of the package.

There is also a local copy here: `if_vga80x40.zip`

Obtain A Fixed-Width Console Font

VGA80x40 part stores in a ROM (for example a read-only Xilinx BRAM) the bitmap of each character associated with each ISO-LATIN-1 code (8-bits). You can choose other coding scheme if you want.

Where can we obtain a console font?

Using a font editor you can draw your own characters but it's easy to take an already made one. Linux kbd package comes with many console fonts (fixed-width bitmap fonts) in the folder `/data`. The PSF (Postscript Font) format is easy to understand and it's documented in `de/doc` directory of the package.

The Ruby script `psf2coe.rb` provided translates PSF1 format file into Xilinx COE file to store the console fixed-width bitmap font in a BRAM inside the FPGA. If you want to render the `*.psf` file in a text file or to do the opposite operation (font editor) use `NAFE`.

Some files inside the package `vga80x40.zip`

| | |
|---------------------------|--|
| <code>lat0-12.psfu</code> | Font file iso-8859-15 with 12 pixels heigh |
| <code>psf2coe.rb</code> | Ruby script that translates PSFU to COE file format suitable to use with Xilinx ISE Webpack tools. |
| <code>lat0-12.coe</code> | COE file suitable for XilinX ISE |
| <code>lat0-12.txt</code> | Rendered as text thought <code>NAFE</code> . |

Possible Enhances For The Macro

- Optional use of an "attribute" memory to display characters in different colours.
- TV out (monochrome composite signal or colour with SCART input).
- Different resolutions (800x600px modes)

References

- PSF file format
- VGA Timings
- "Conceptos básicos de arquitectura y sistemas operativos. Curso de ordenadores", Gregorio Fernández, 3ª edición, ISBN 84-605-0522-7
- VGA pinouts

Category: Hardware

This page was last modified 15:13, 6 February 2008.
 Copyright (c) 2007 Javier Valcarce García. Content is available under GNU Free Documentation License 1.2.