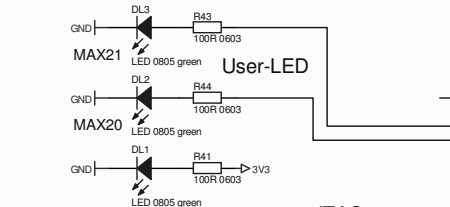
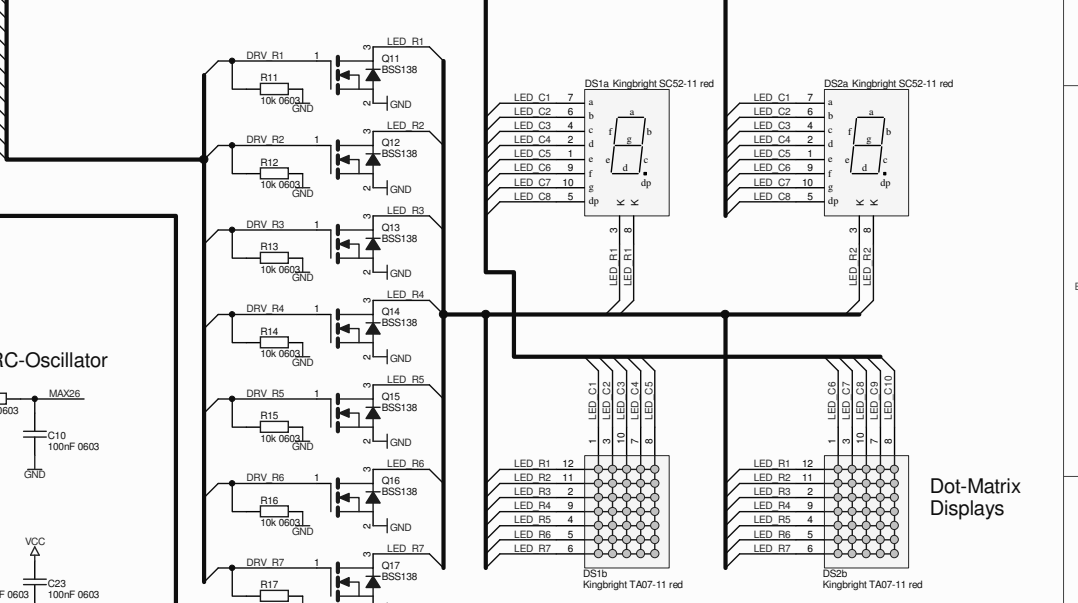
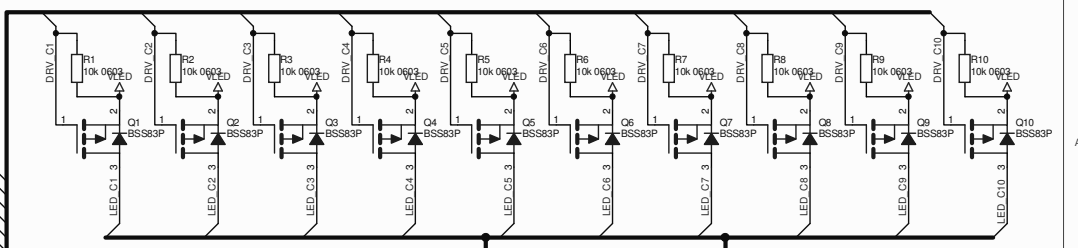
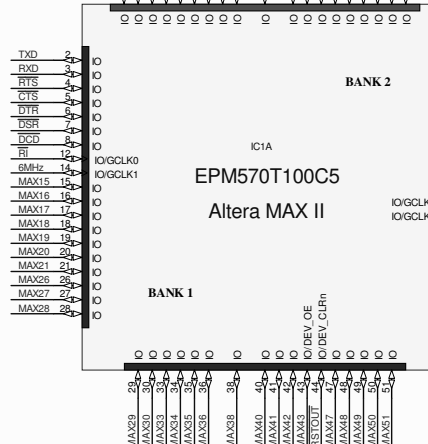
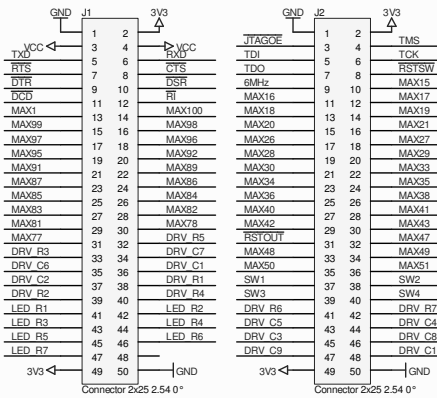


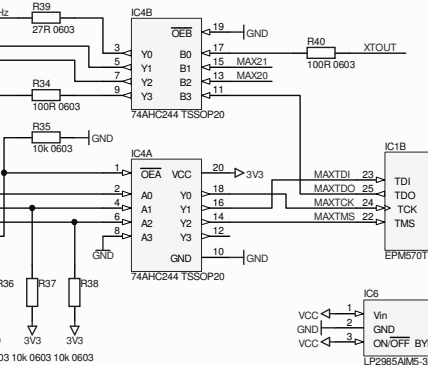
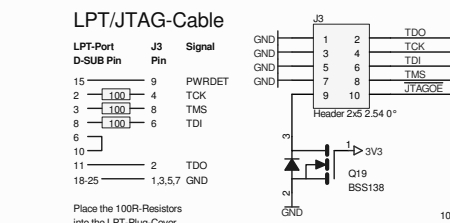
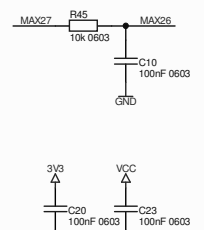
MAXII-Evalboard

V1.0 by H.Kuester June 2005

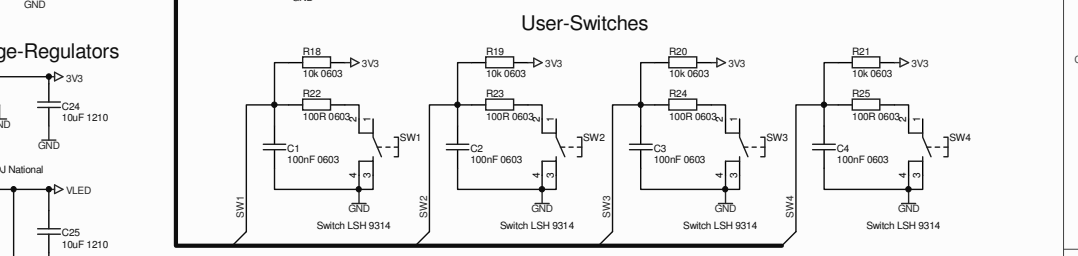
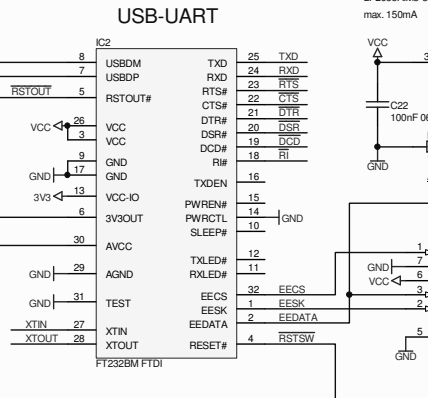
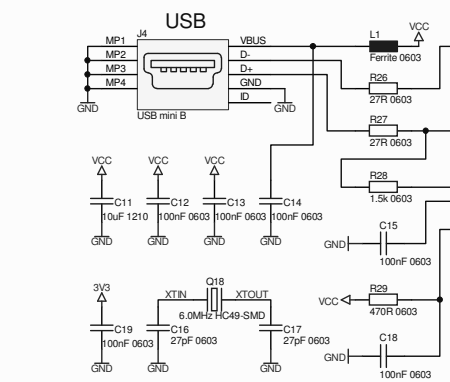
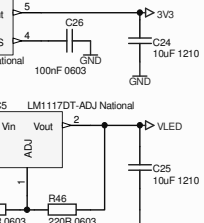
Expansion-Connectors



Simple-RC-Oscillator



Voltage-Regulators



Reset

