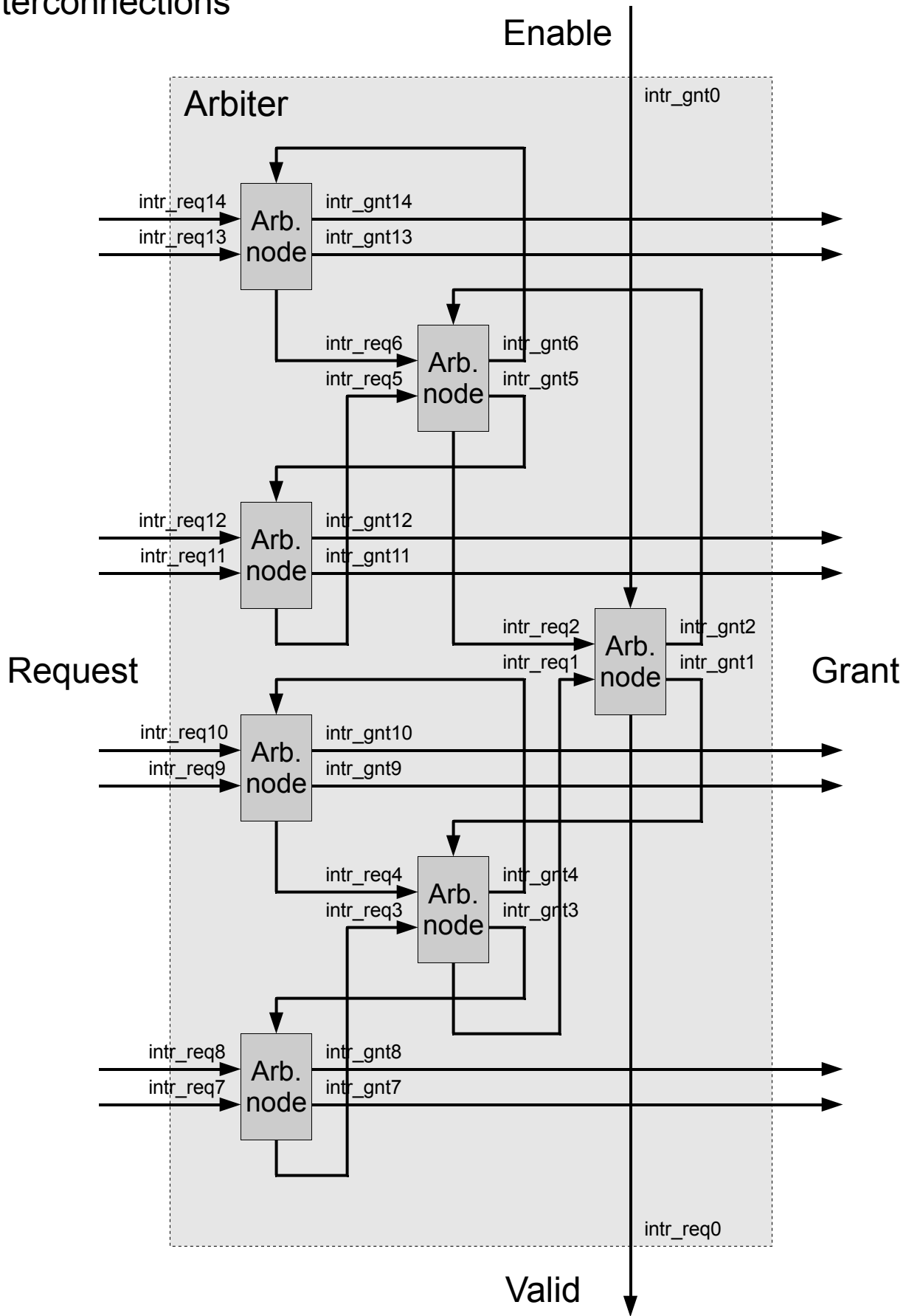


# Request/Grant Interconnections



# Select Interconnections

